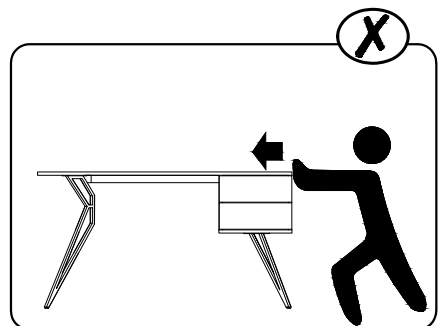
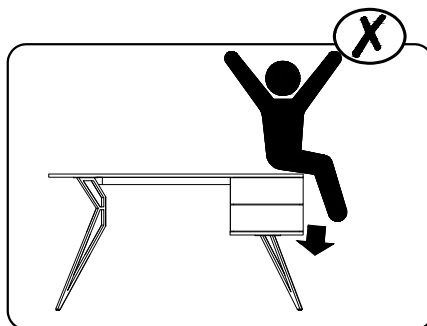
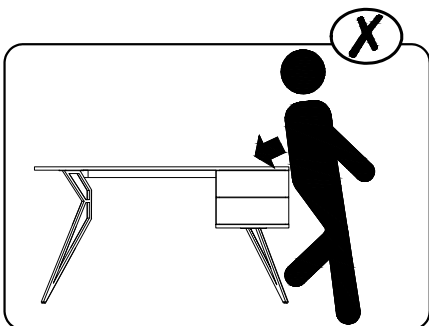
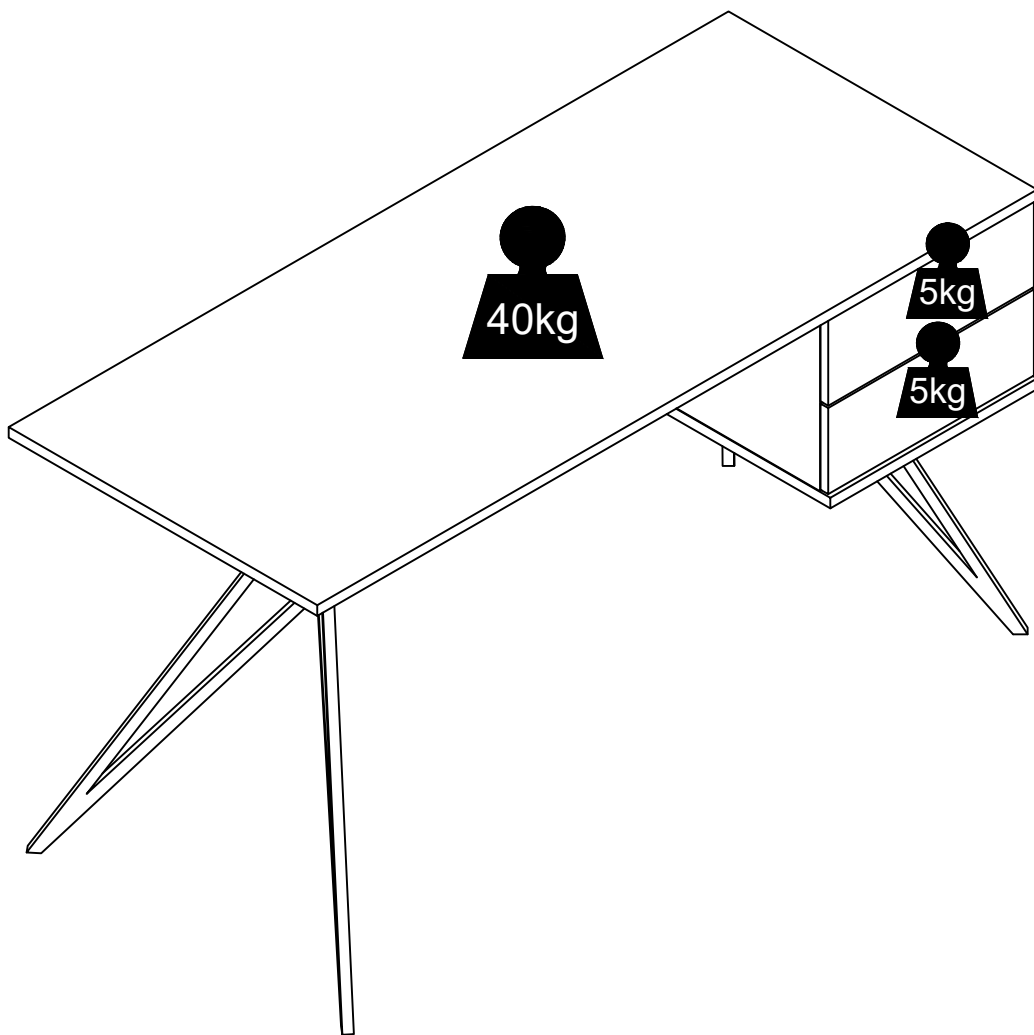
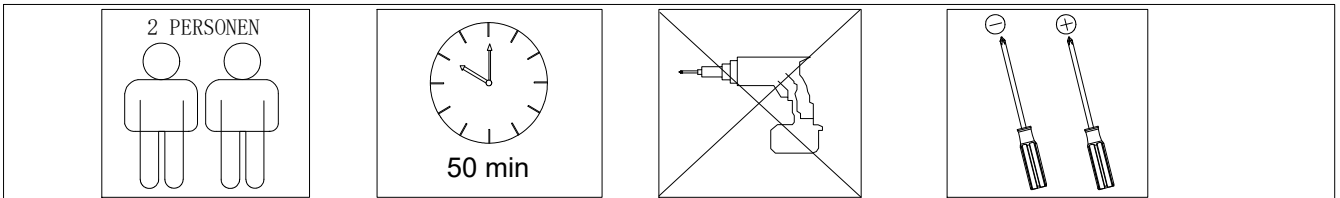
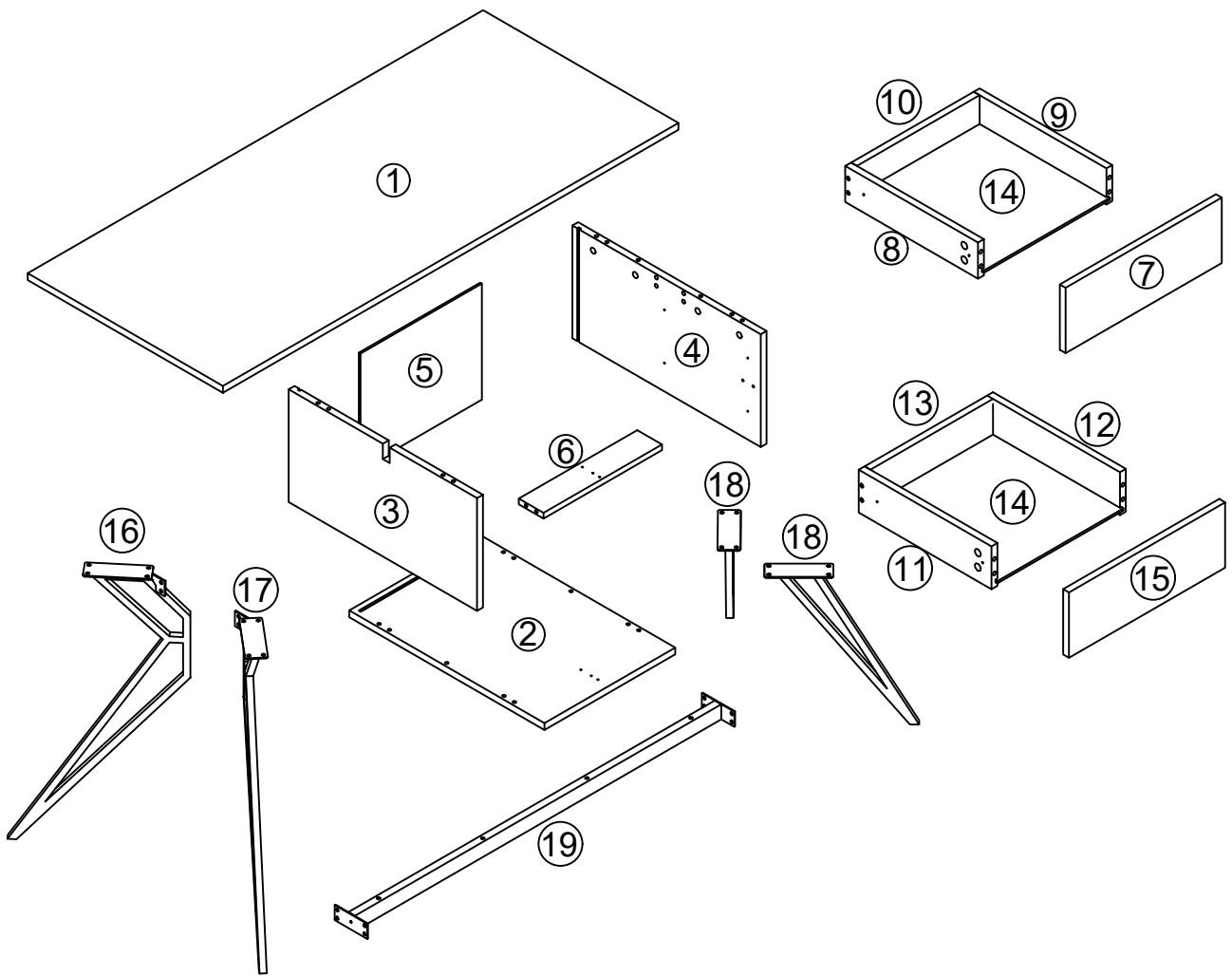


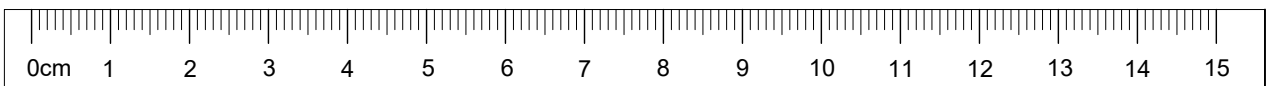
1425801

Zurbrüggen Wohnzentrum GmbH  
Hans-Böckler-Str. 4  
59423 Unna, Germany

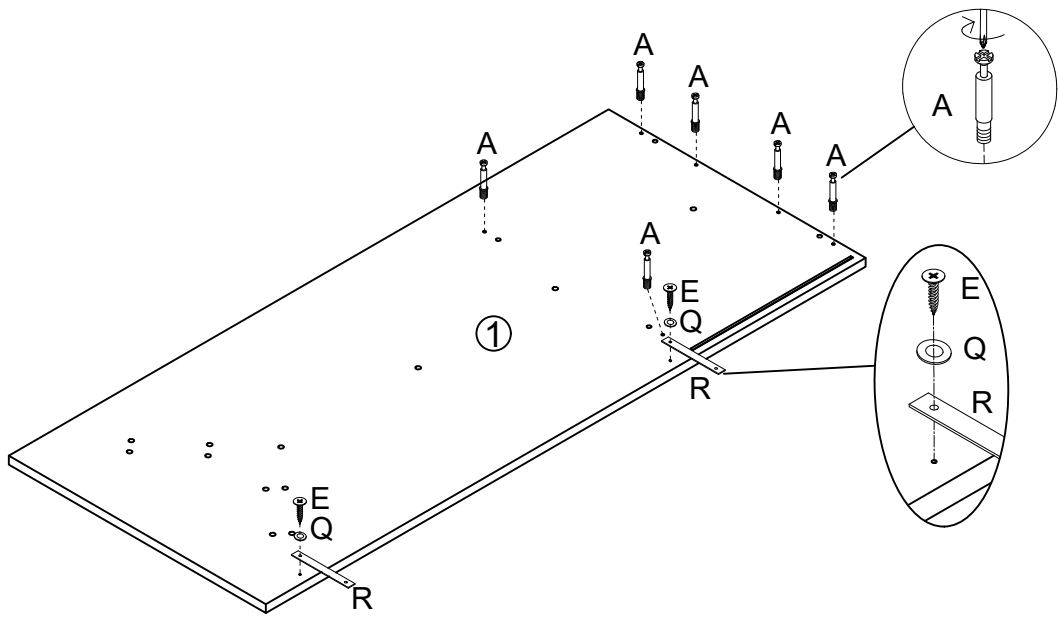








A   x 18  Φ6*44mm	B   x 18  Φ15*12mm	C   x 8  Φ20mm	D   x 8  Φ8*30mm	E   x 28  Φ3.5*14mm	F   x 8  Ø3.5*35mm	G   x 6  M7*50mm	H   x 4  340mm
I   x 24  M6*15mm	J   x 4  M6*52mm	K   x 1  4#	L   x 4  M6*15mm	M   x 4 	N   x 2 	O   x 2 	P   x 1  160*16*16mm
Q   x 4  Ø13mm	R   x 2 	S   x 2 	T   x 2  Ø4*38mm	U   x 4  M6*12mm			

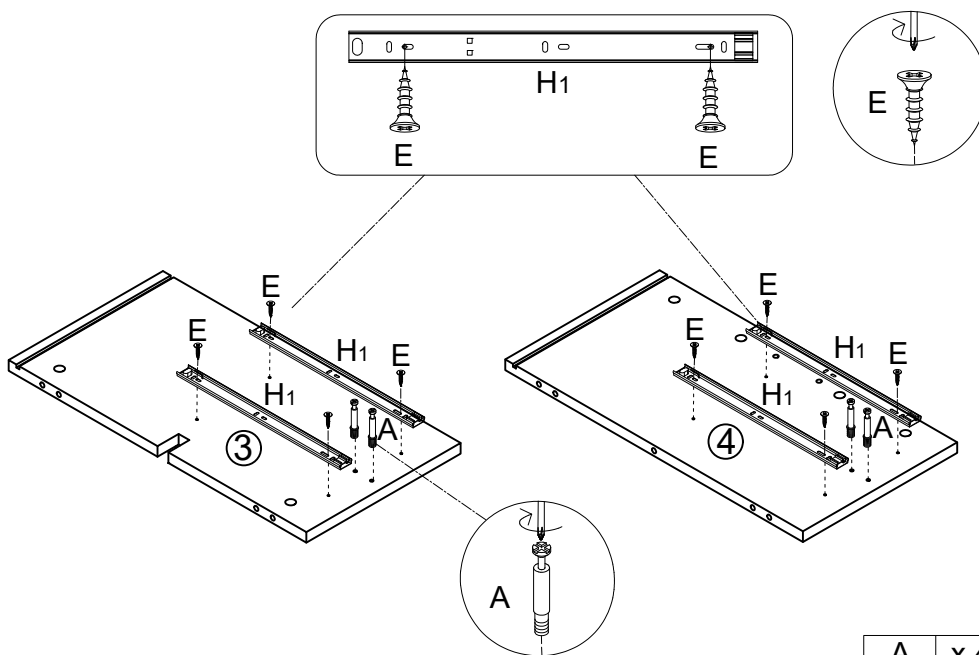
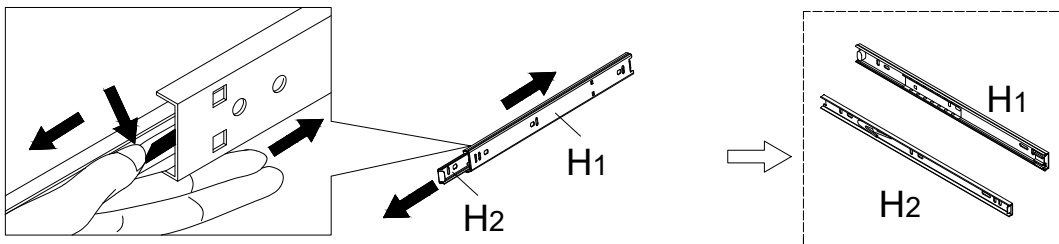





1



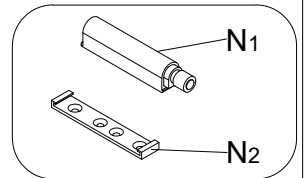
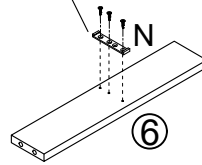
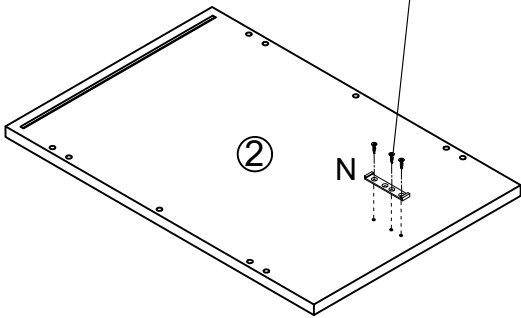
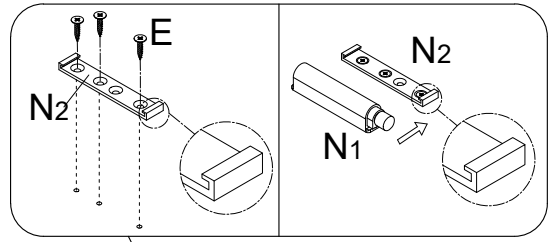
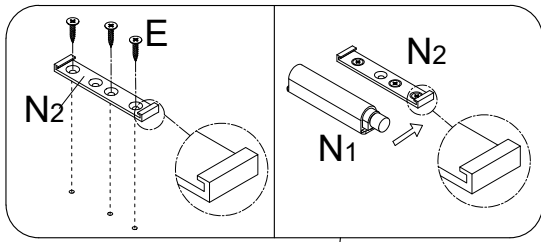
A	x6	E	x2	Q	x2	R	x2
							
Φ6*44mm		Φ3.5*14mm		Ø13mm			


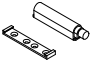
2



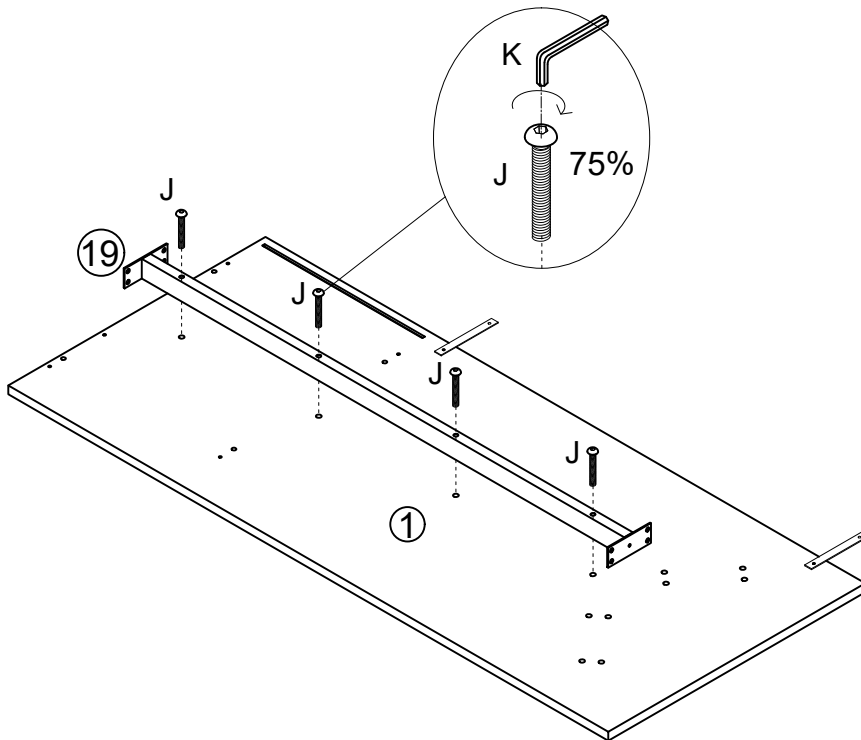
A	x4	E	x8	H1	x4
					
Φ6*44mm		Φ3.5*14mm		340mm	



3



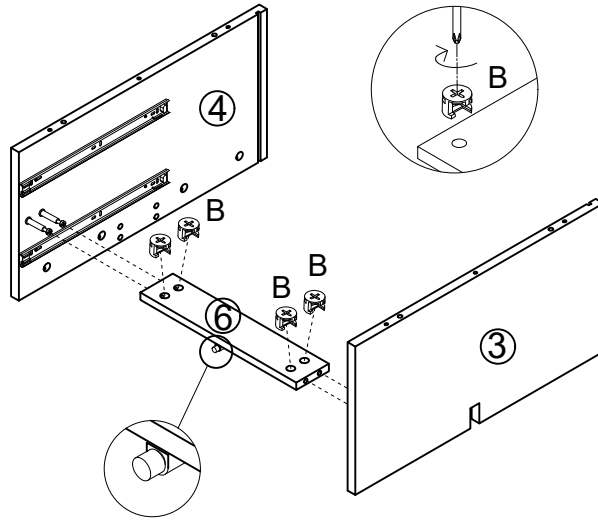
E	x 6	N	x 2
			
Φ3.5*14mm			


4



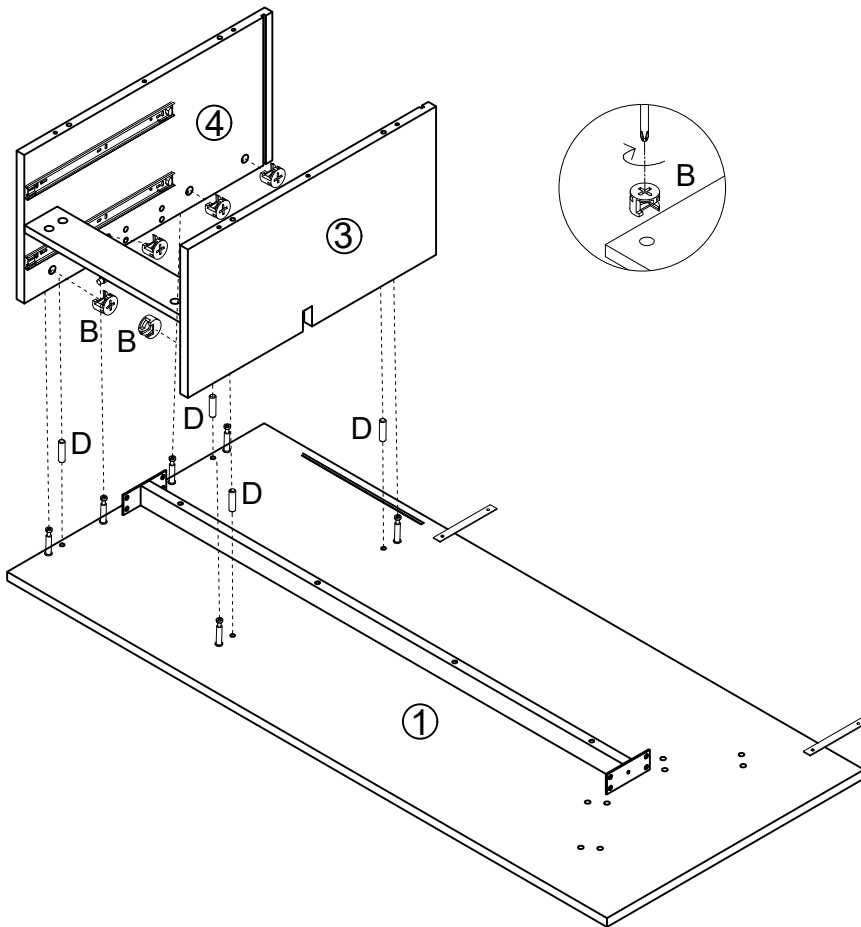
J	x 4	K	x 1
			
M6*52mm		4#	



5



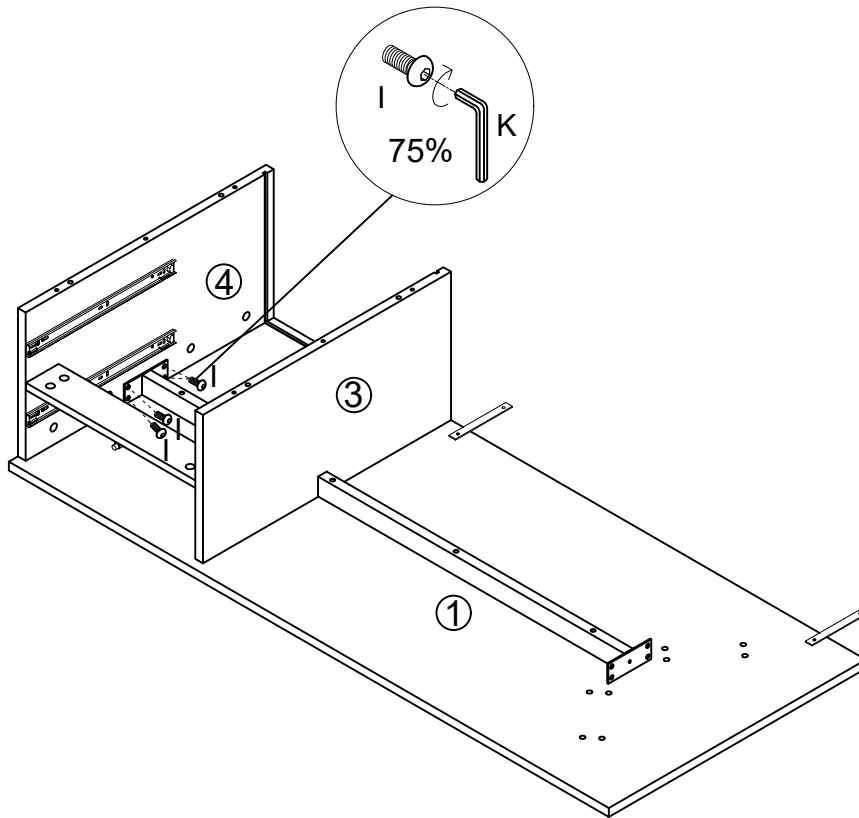
B	x 4
	
$\Phi 15 * 12 \text{mm}$	

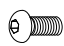

6



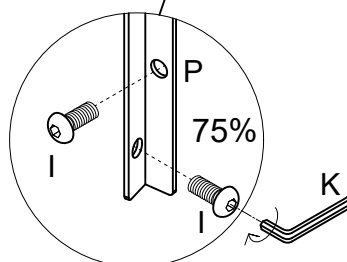
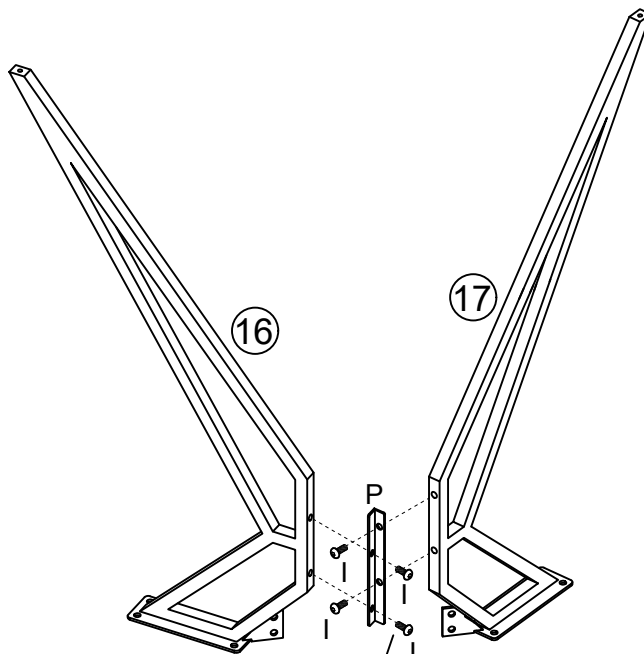
B	x 6	D	x 4
			
$\Phi 15 * 12 \text{mm}$		$\Phi 8 * 30 \text{mm}$	

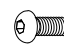


7



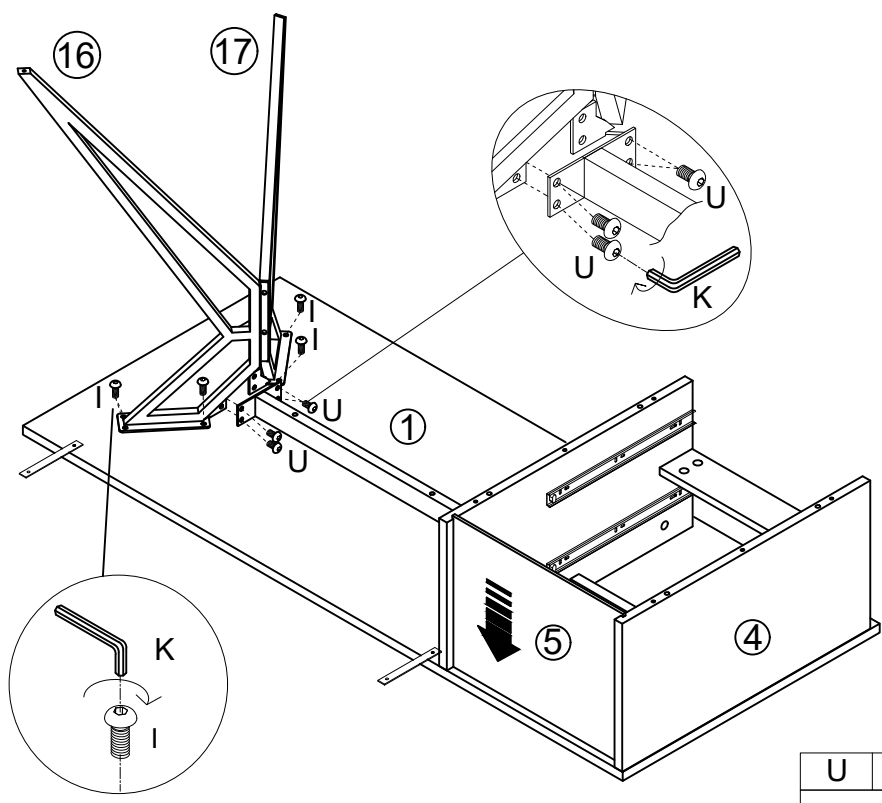
I	x 4	K	x 1
			
M6*15mm		4#	

8



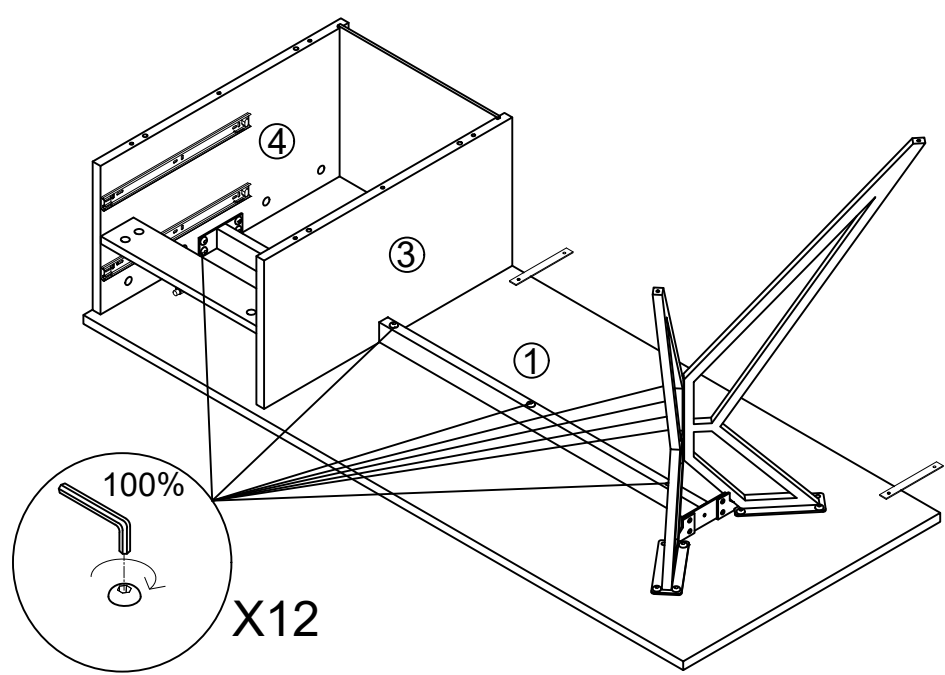
I	x 4	K	x 1	P	x 1
					
M6*15mm		4#		160*16*16mm	

9



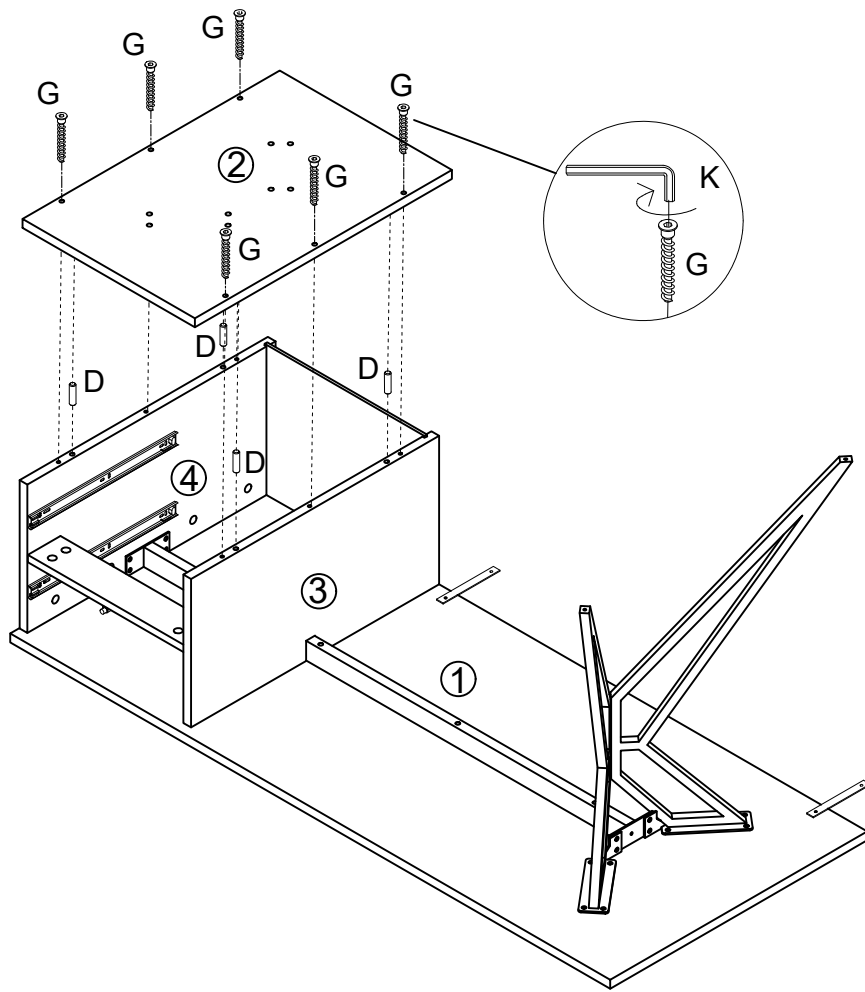
U	x 4	I	x 8	K	x 1
M6*12mm		M6*15mm		4#	

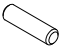


10



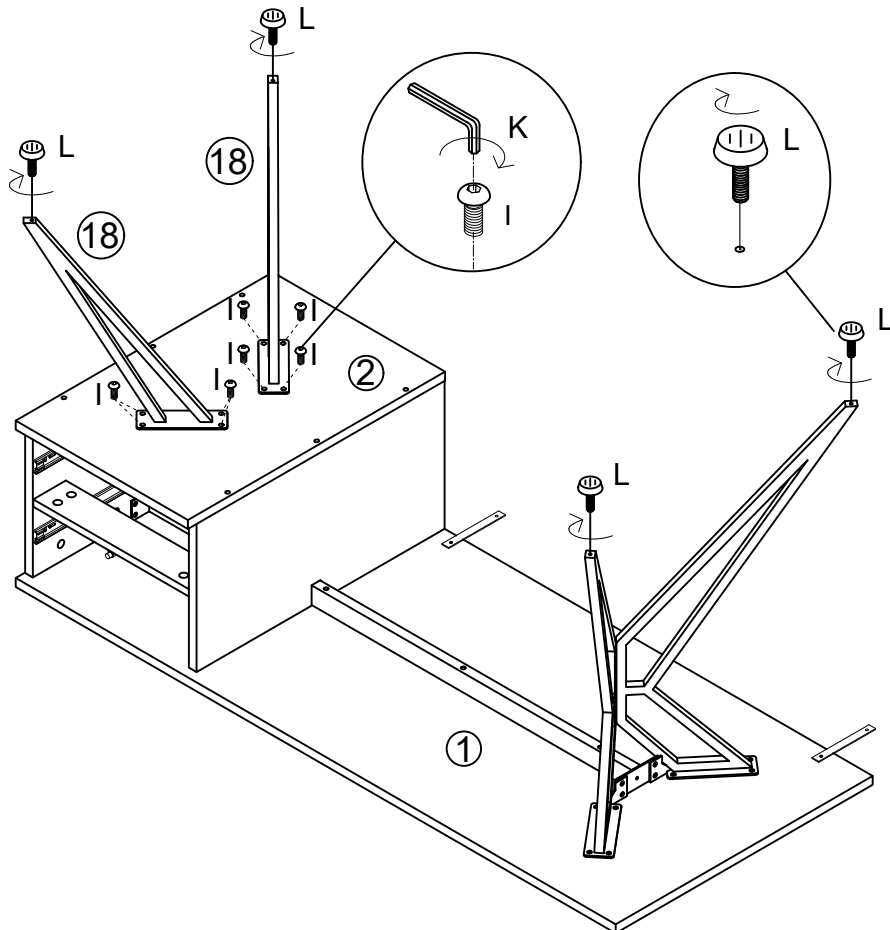
K	x 1
4#	




11



D	x 4
	
Φ8*30mm	
G	x 6
	
M7*50mm	
K	x 1
	
4#	

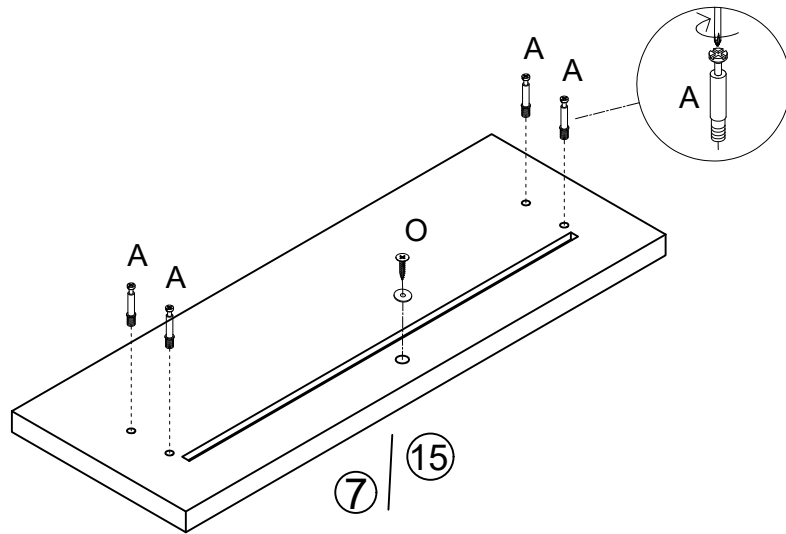
12

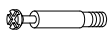



I	x 8
	
M6*15mm	
K	x 1
	
4#	
L	x 4
	
M6*15mm	

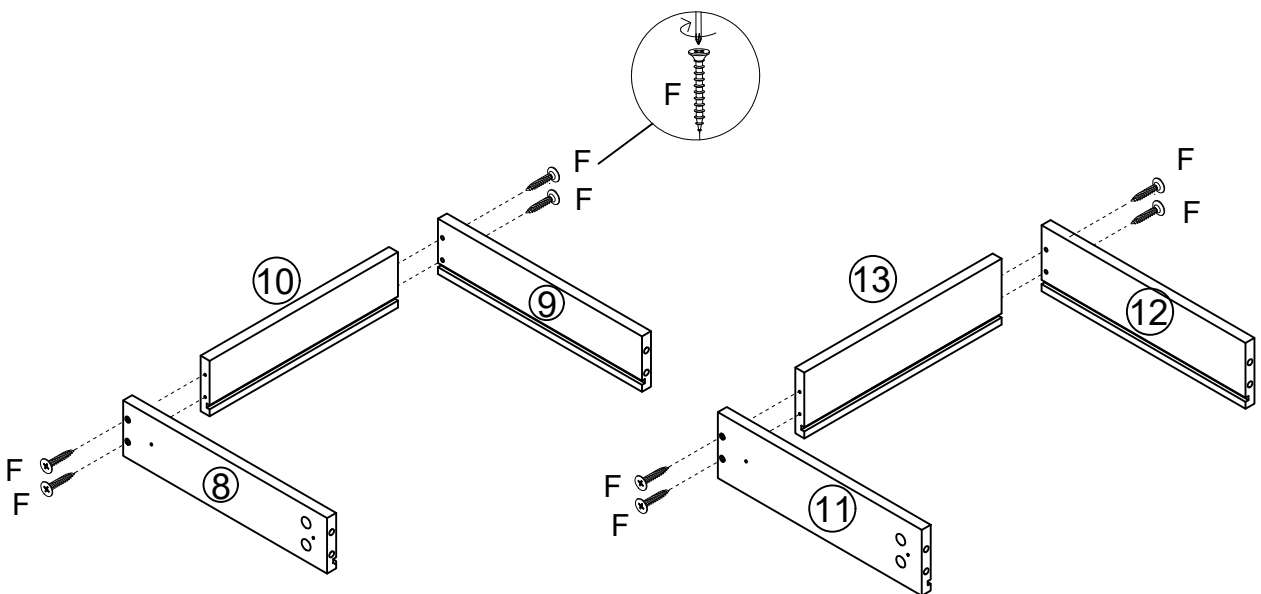


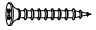
13



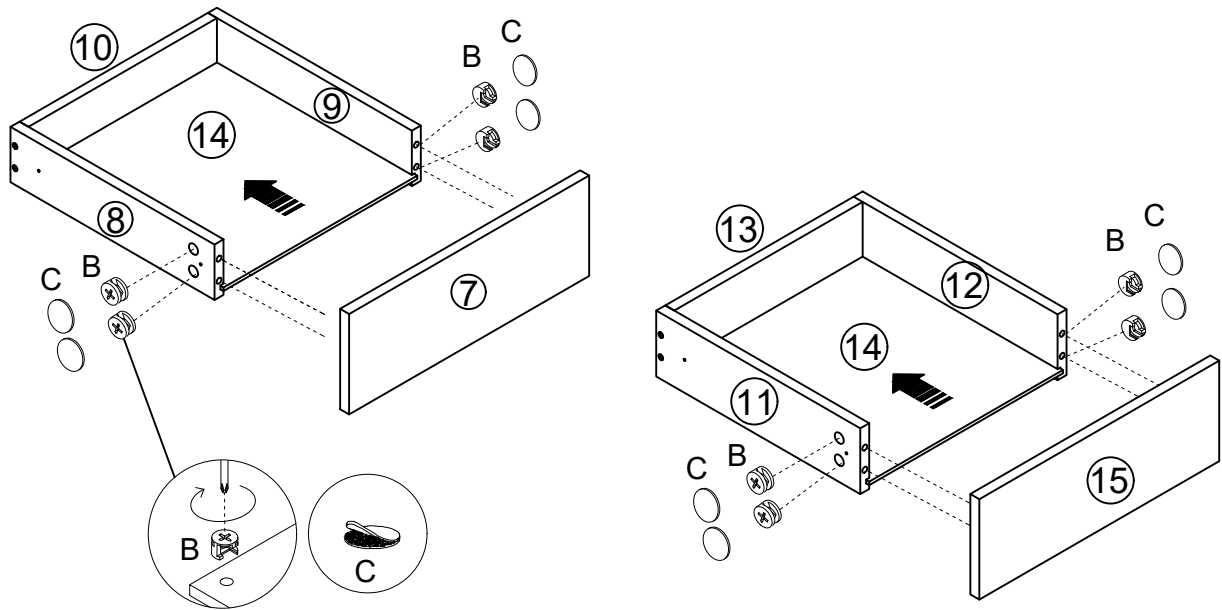
A	x 8	O	x 2
			
Φ6*44mm			



14



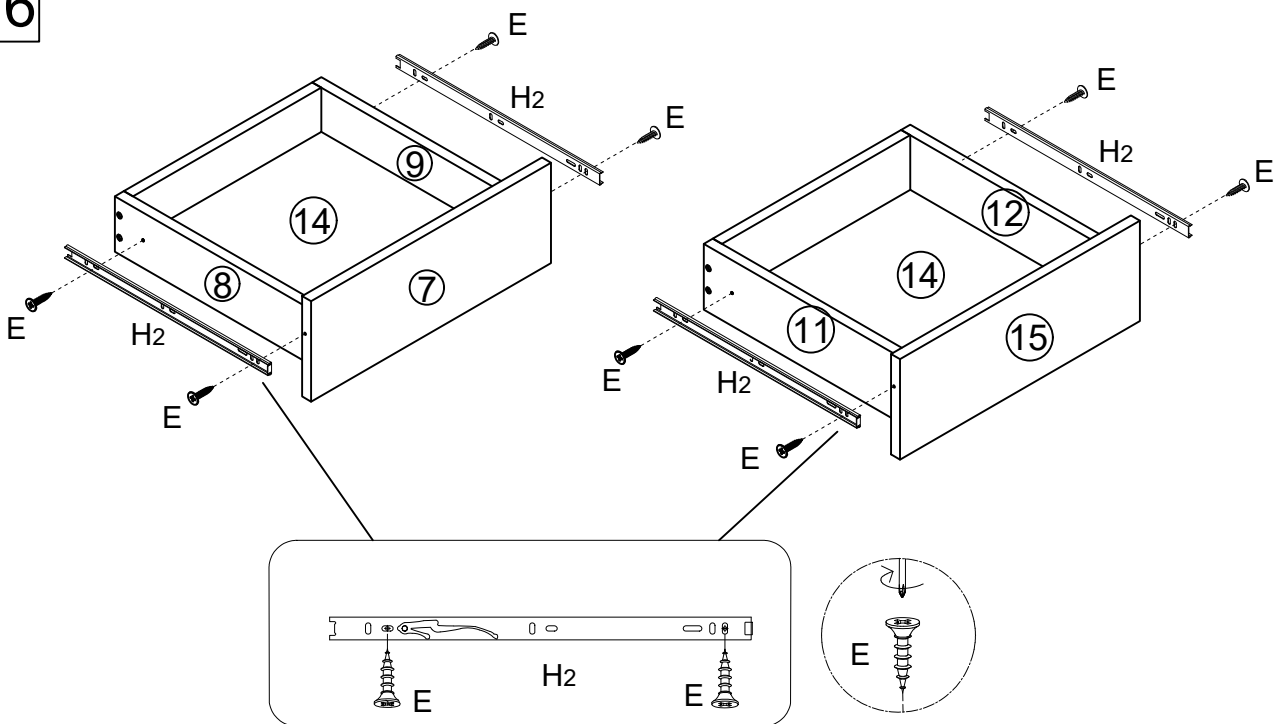
F	x 8
	
Ø3.5*35mm	



15



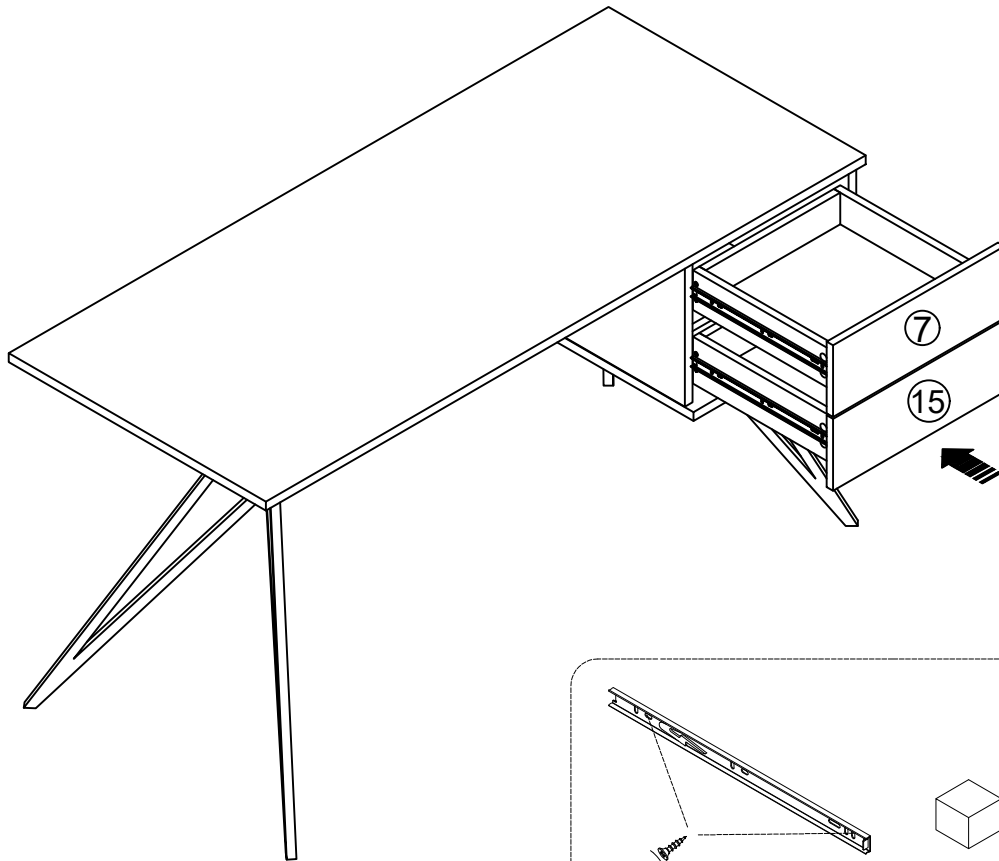
B	x 8	C	x 8
			
Φ15*12mm		Φ20mm	

16

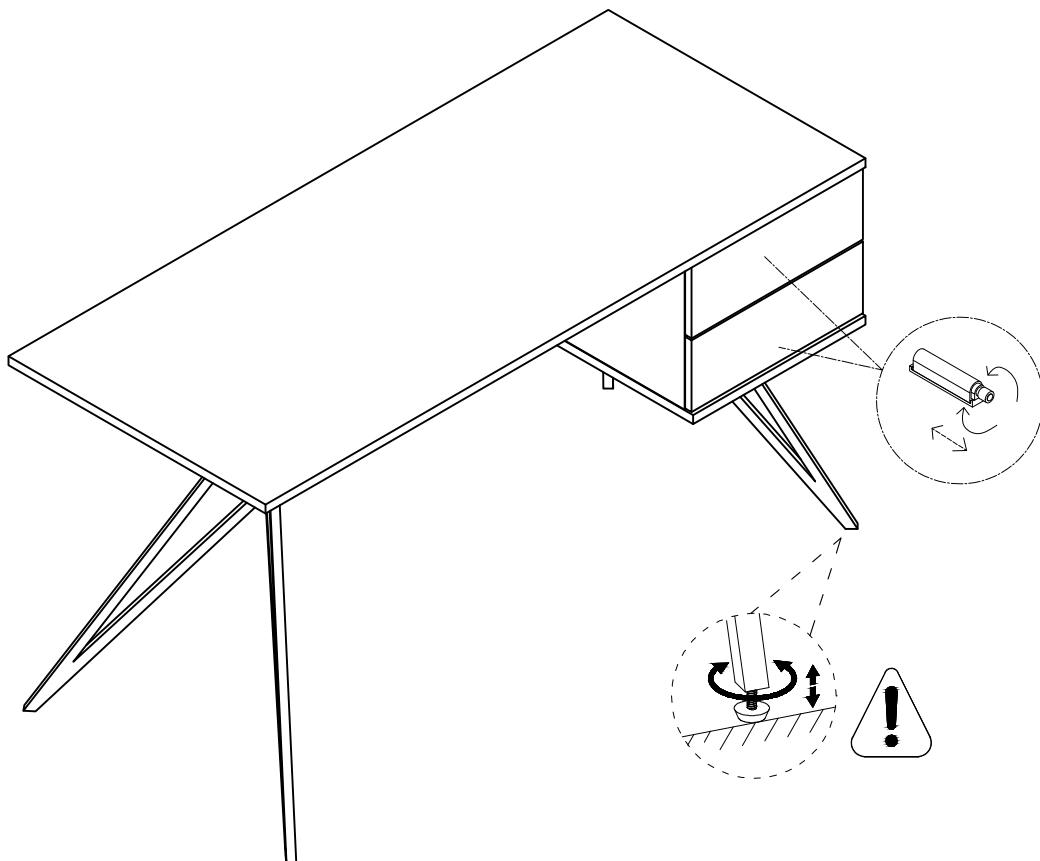


E	x 8	H2	x 4
			
Φ3.5*14mm		340mm	

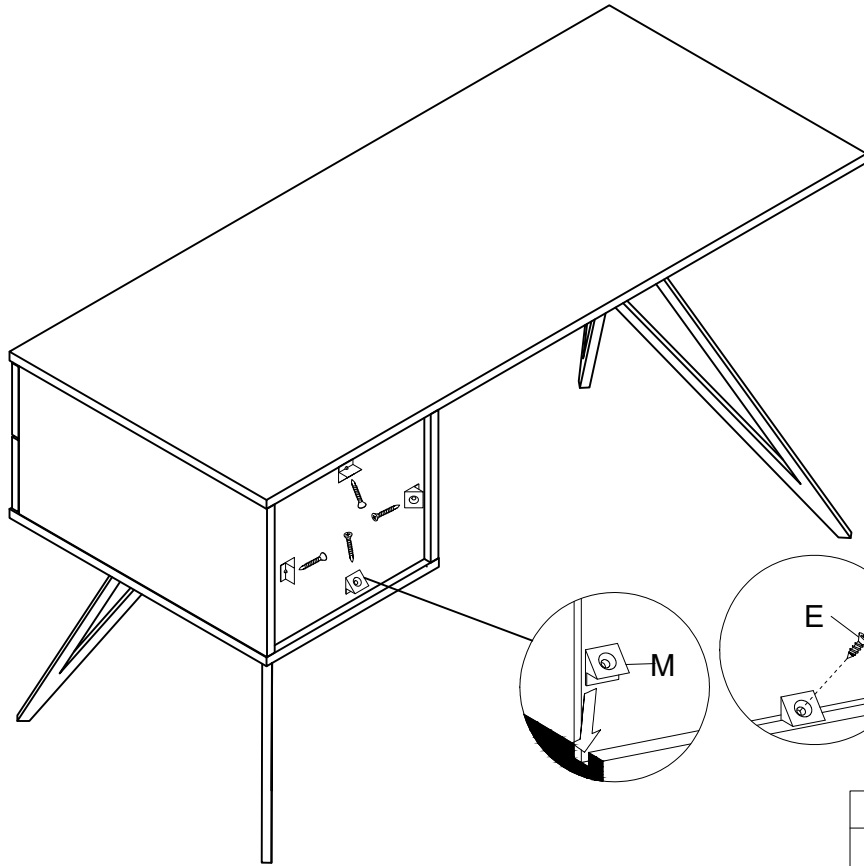
17

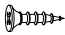



18

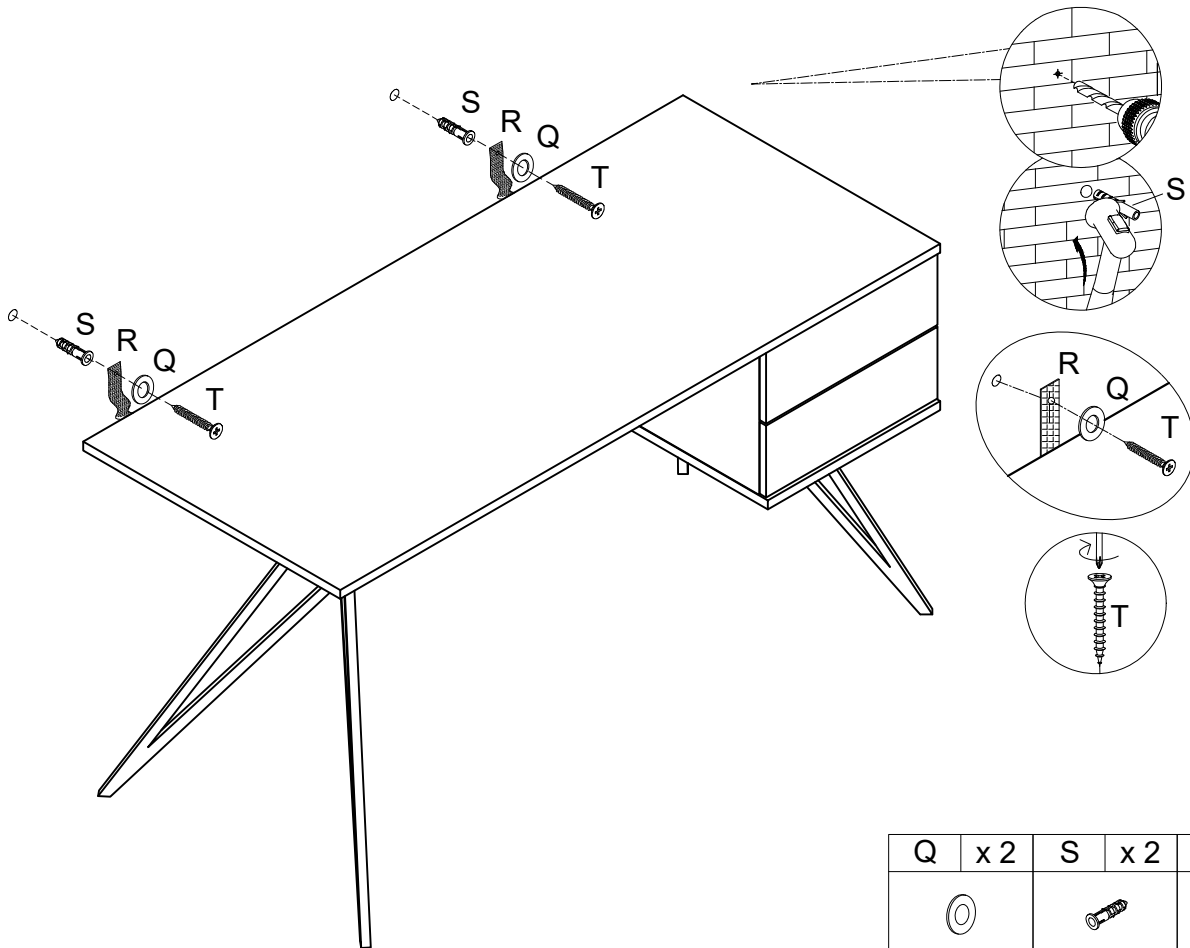




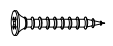
19



E	x 4	M	x 4
			
Φ3.5*14mm			

20



Q	x 2	S	x 2	T	x 2
					
Ø13mm				Ø4*38mm	