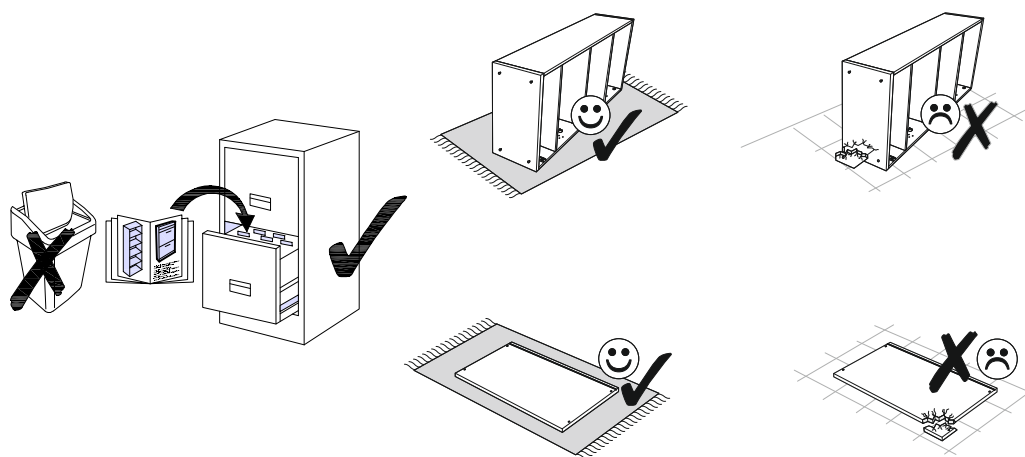
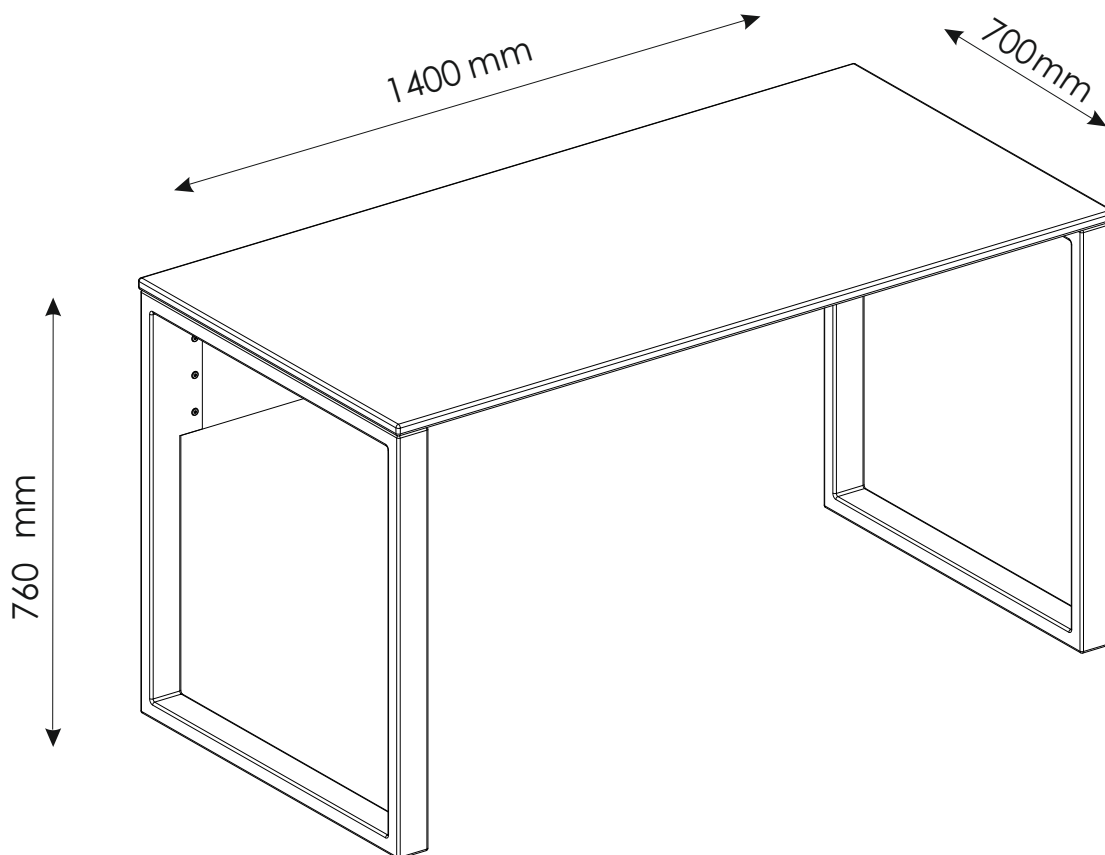
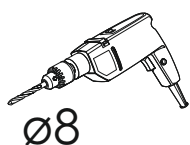
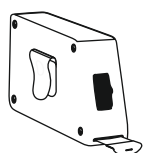
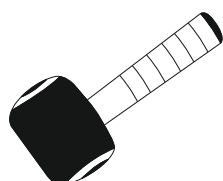
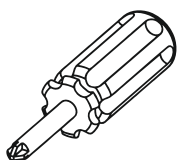
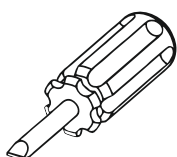
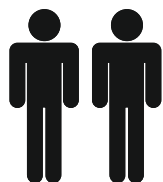


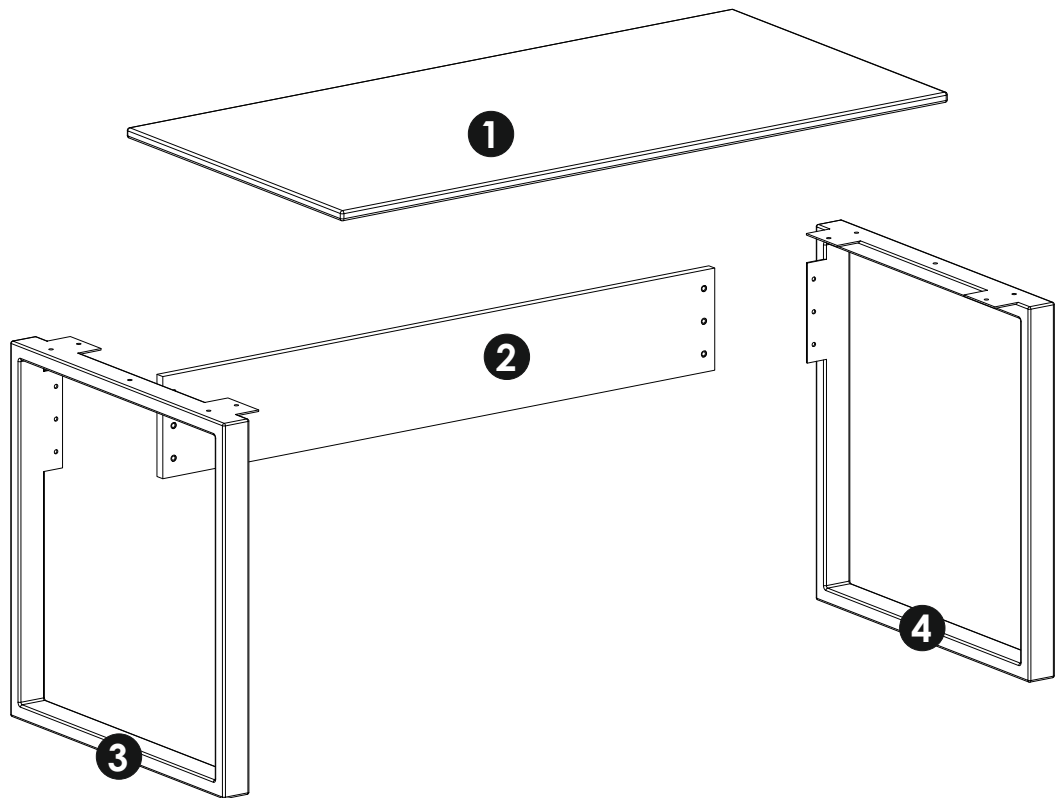
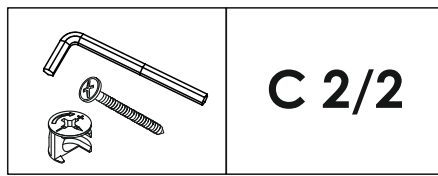


Modell: **DALLAS**

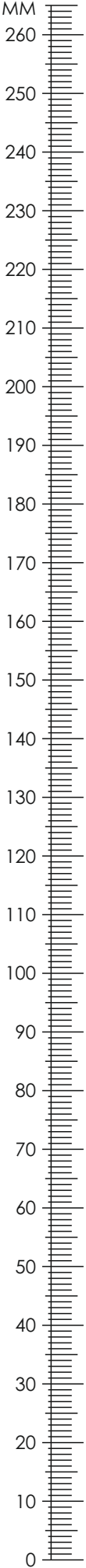
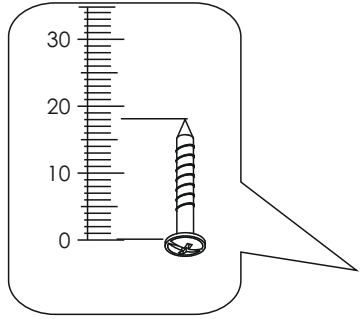
Art. Nr. 14160029/04







1	1400	700	20	x1	1/2
2	1274	200	19	x1	1/2
3	735	694	60	x1	2/2
4	735	694	60	x1	2/2



DALLAS Art. Nr. 14160029/04



A	k6  M6 x4	j20  $\phi 6 \times 12$ mm x16	o1  x1	z2  x1
----------	-------------------------------------------------------------------------------------------------------------------	----------------------------------------------------------------------------------------------------------------------------------------	-------------------------------------------------------------------------------------------------------------	-------------------------------------------------------------------------------------------------------------

