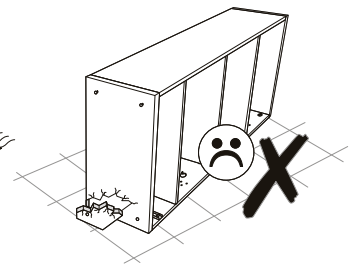
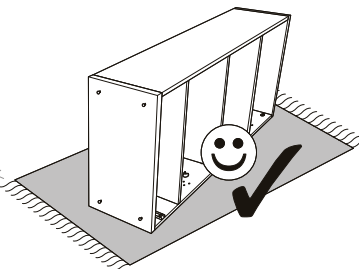
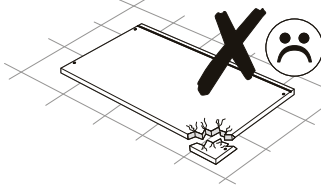
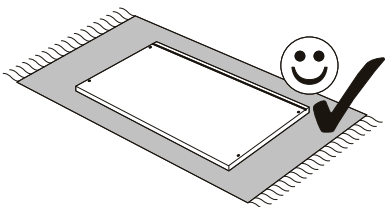
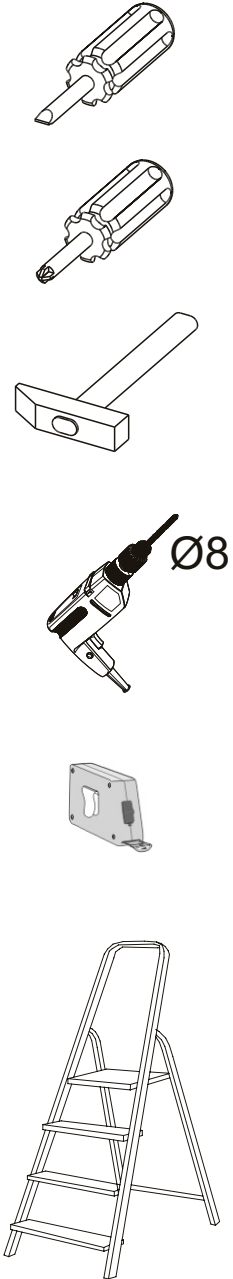
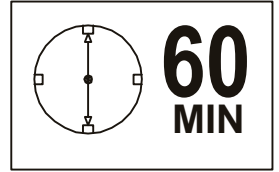
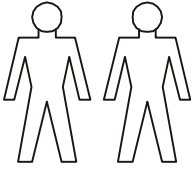

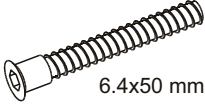

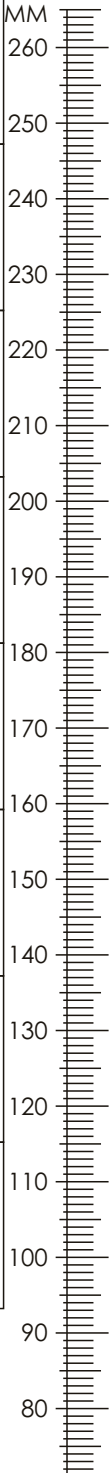
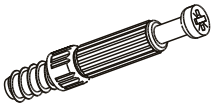
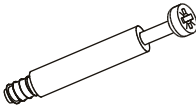




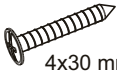


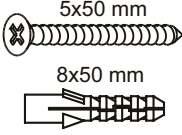
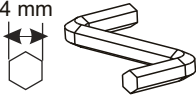
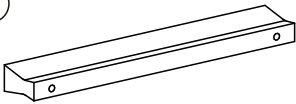

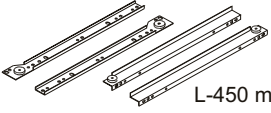
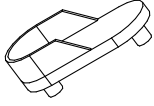
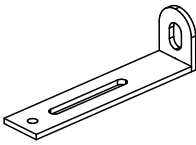
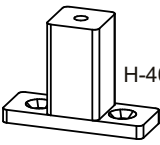
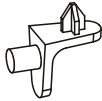
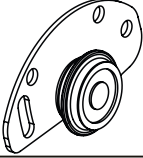
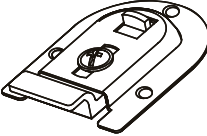
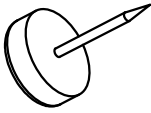
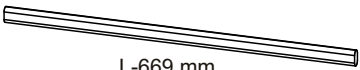
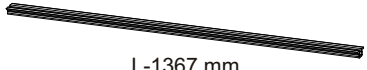
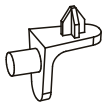


MIKA 140 2T4L

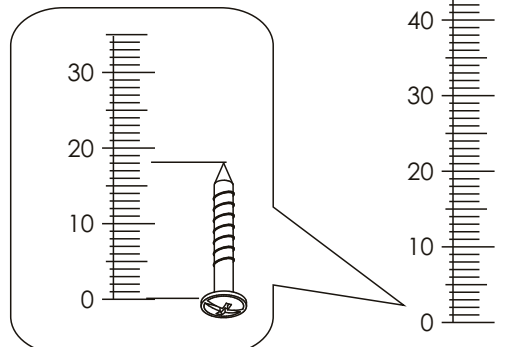
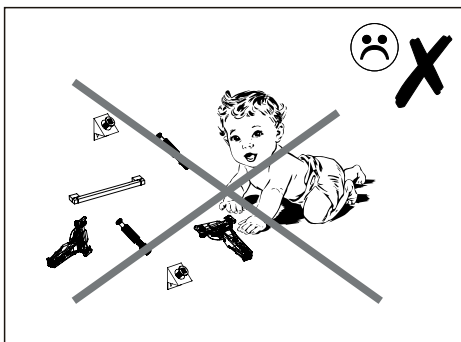
00030092/01

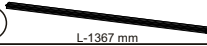




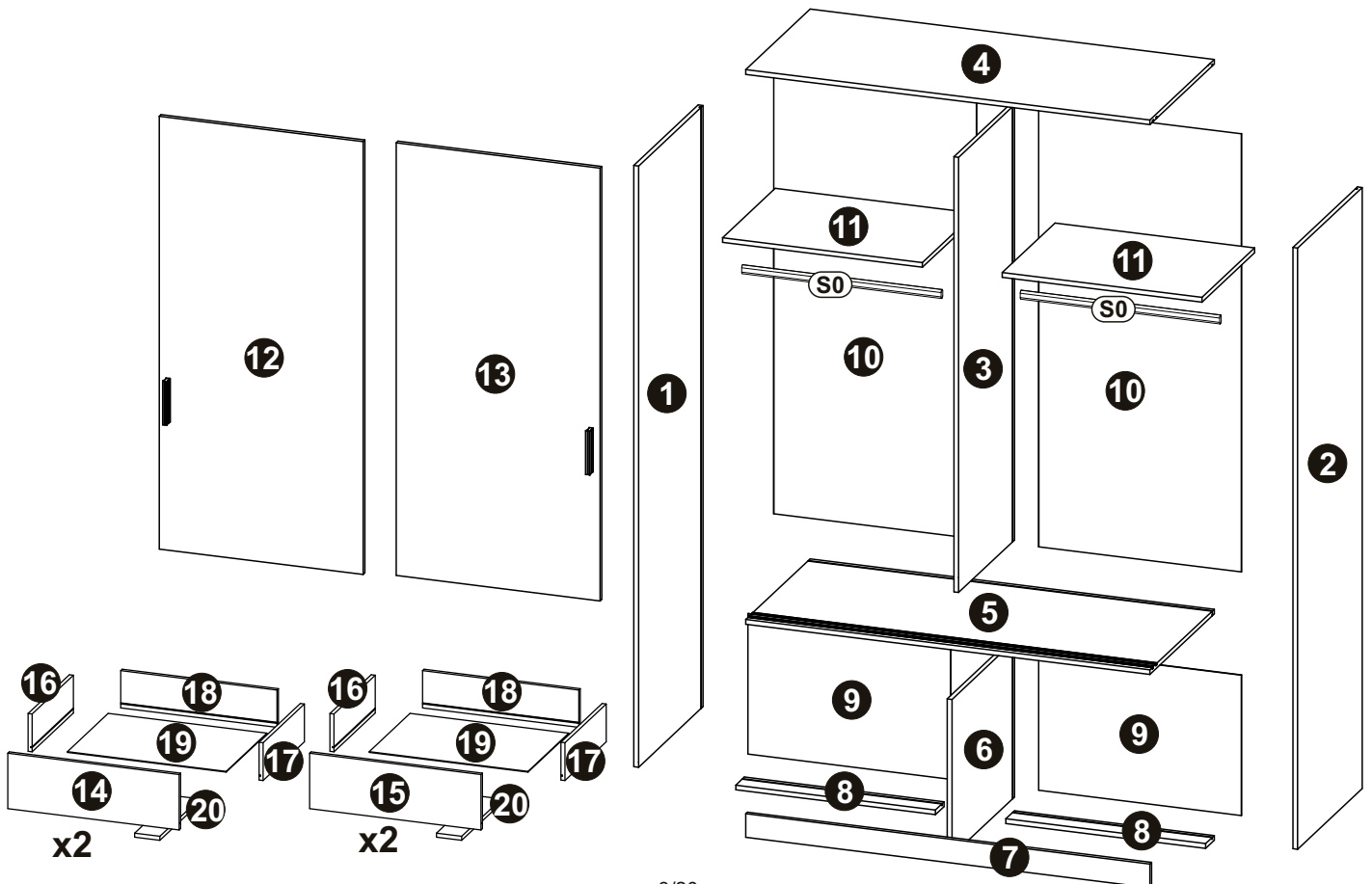
A0  8x30 mm x77	B1  6.4x50 mm x16	C0  x16	
C2  x35	C6  x2	C7  16 mm x37	
D0  3x15 mm x60	D3  3.5x10 mm x2	D5  3.5x16 mm x42	
D16  4x30 mm x12	D21  5x13 mm x34	D31  6,3x13 mm x12	
E0  5x50 mm 8x50 mm x2	K  4 mm x1	L0  x6	
M1  x60	N3  L-450 mm x4	O0  x4	
P0  x2	P35  H-40 mm x2	Q3  x8	
R13  x4	R14  x4	T3  x6	
S0  L-669 mm x2	R3  L-1367 mm x4		

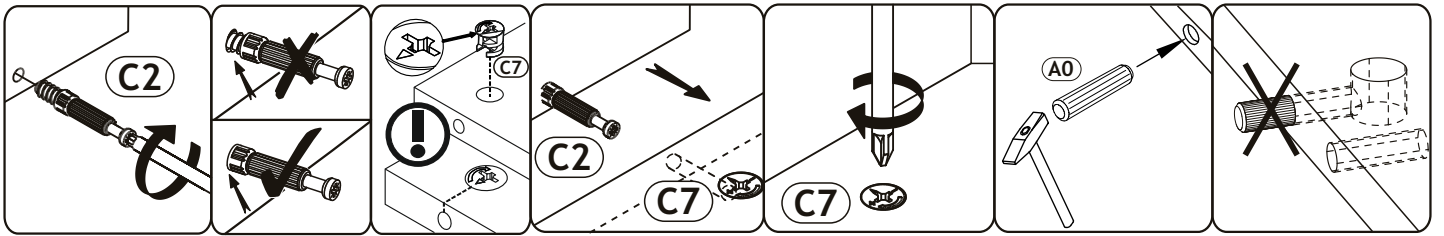
Q3  **x8**

Option

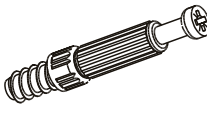



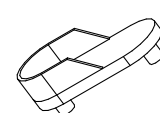
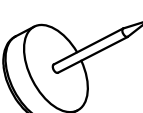


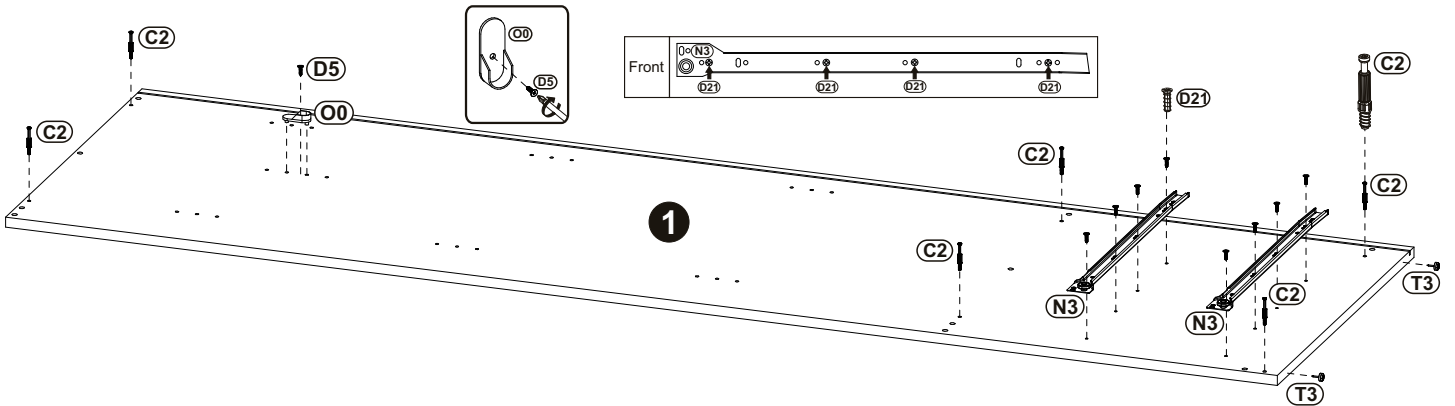
1	2035	600	16	x1	1/6
2	2035	600	16	x1	1/6
3	1473	520	16	x1	3/6
4	1368	599	16	x1	4/6
5	1368	599	16	x1	4/6
6	529	582	16	x1	5/6
7	1368	80	16	x1	4/6
8	676	80	16	x2	3/6
9	686	475	2,8	x2	1/6
10	1483	686	2,8	x2	2/6
11	676	490	16	x2	4/6
12	1465	690	16	x1	2/6
13	1465	690	16	x1	2/6
14	680	220	16	x2	3/6
15	680	220	16	x2	3/6
16	450	150	16	x4	3/6
17	450	150	16	x4	3/6
18	620	148	16	x4	5/6
19	630	444	2,8	x4	1/6
20	443	100	16	x4	5/6
R3					4/6
S0					3/6
					6/6



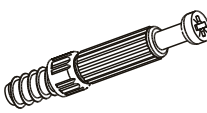
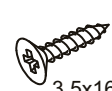

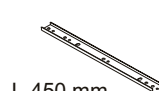
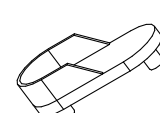



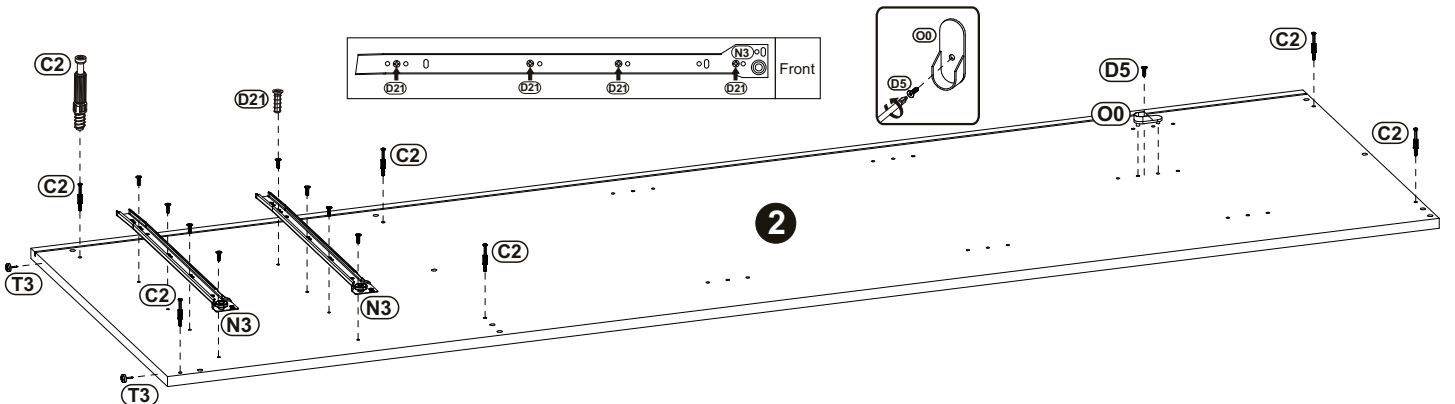
1 ▶

(C2)  x6	(D5)  3.5x16 mm x1	(D21)  5x13 mm x8
(N3)  L-450 mm x2	(O0)  x1	(T3)  x2



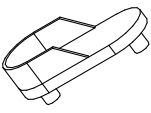


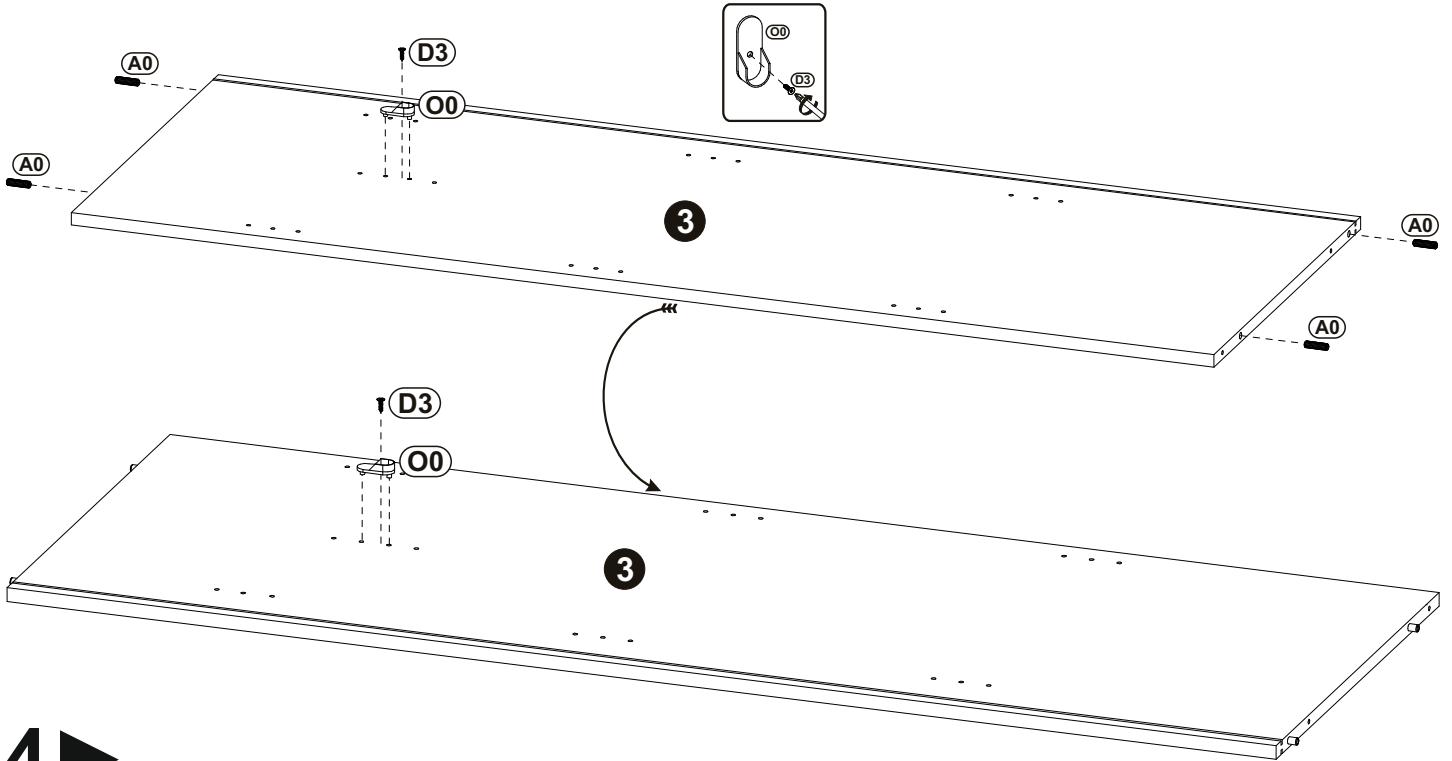
2 ▶

(C2)  x6	(D5)  3.5x16 mm x1	(D21)  5x13 mm x8
(N3)  L-450 mm x2	(O0)  x1	(T3)  x2



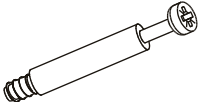

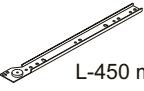
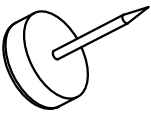


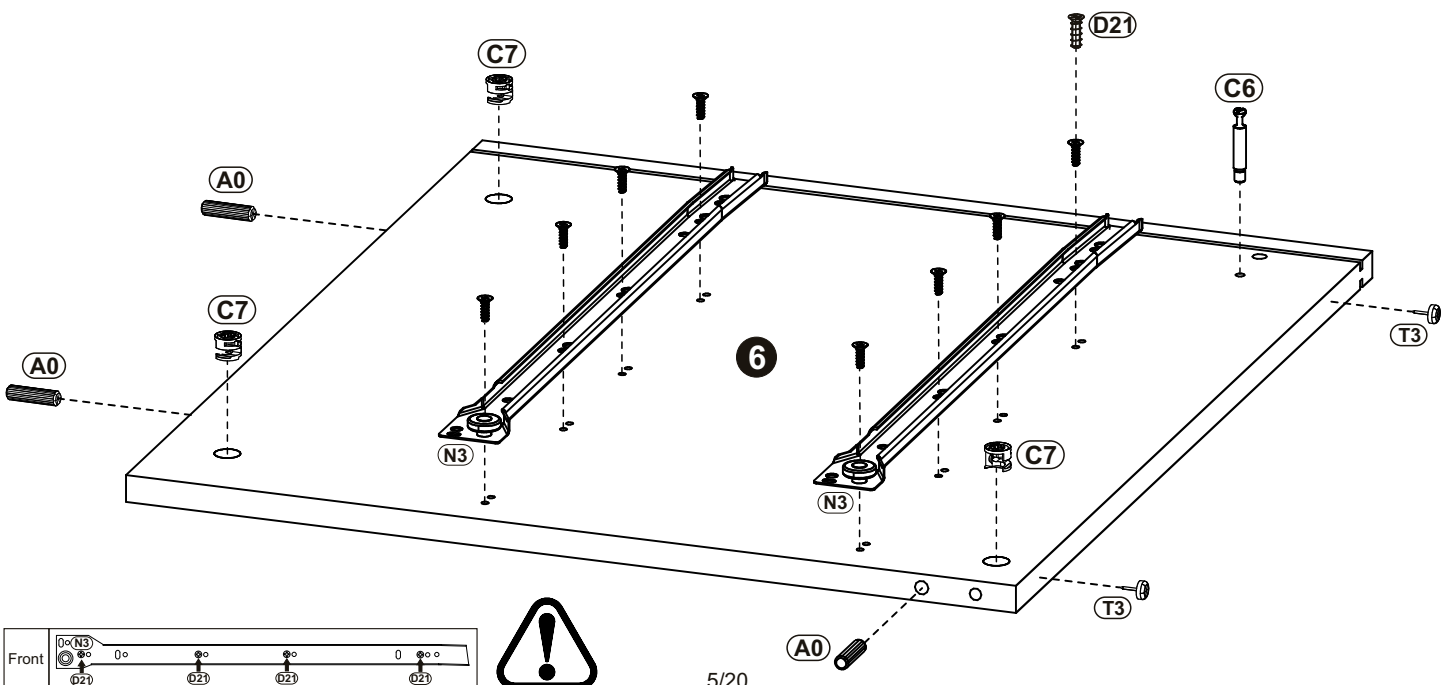
3

A0	 8x30 mm	x4	D3	 3.5x10 mm	x2	O0	 x2
-----------	--	-----------	-----------	--	-----------	-----------	---

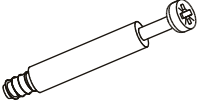

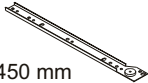


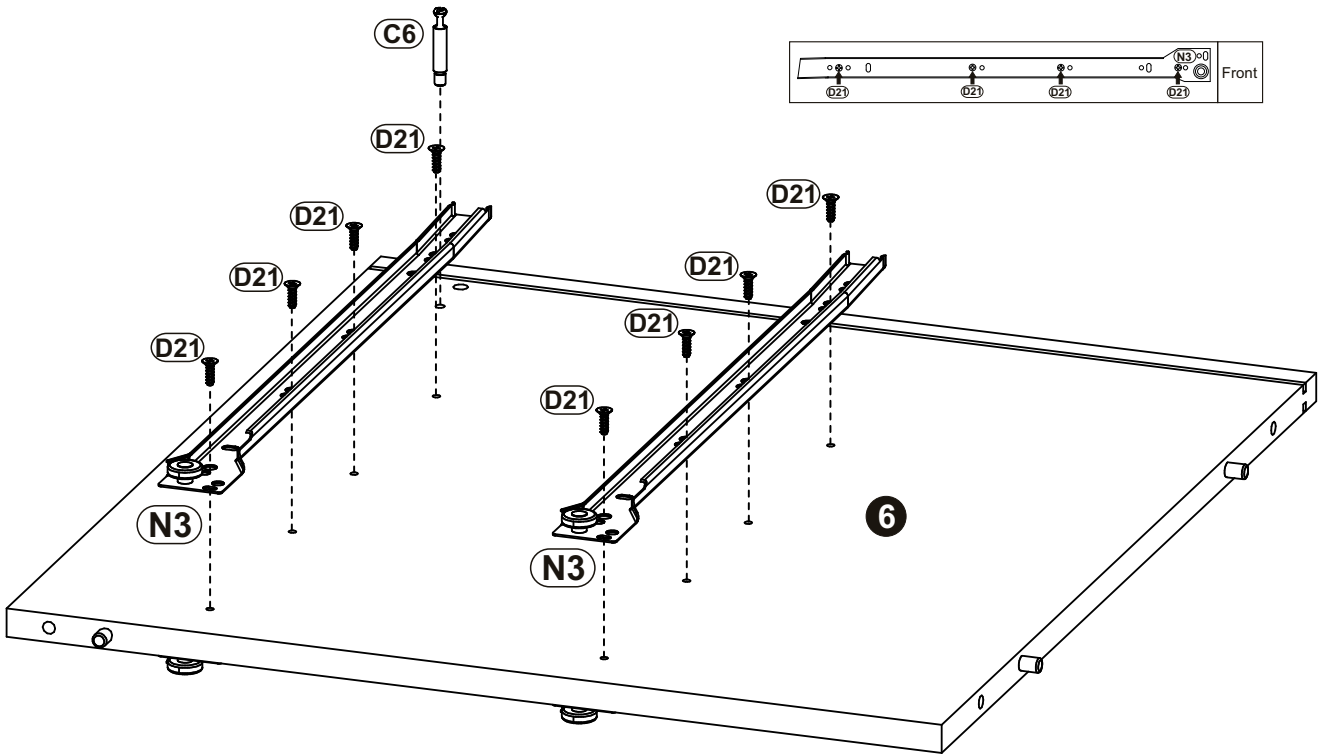
4

A0	 8x30 mm	x3	C7	 16 mm	x3	C6	 x1
D21	 5x13 mm	x8	N3	 L-450 mm	x2	T3	 x2

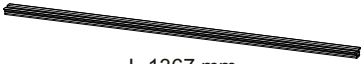


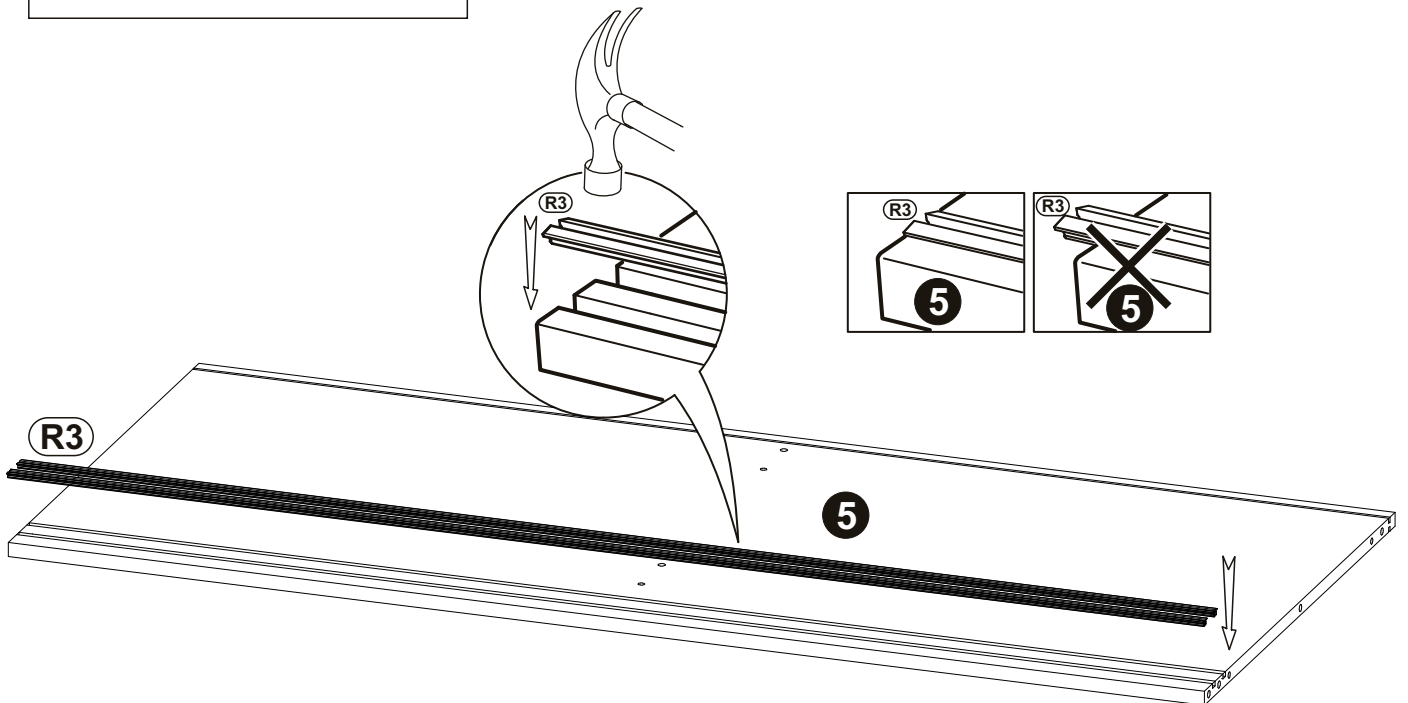
5

C6  x1	D21  5x13 mm x8	N3  L-450 mm x2
--	--	--


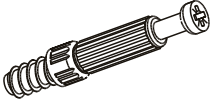



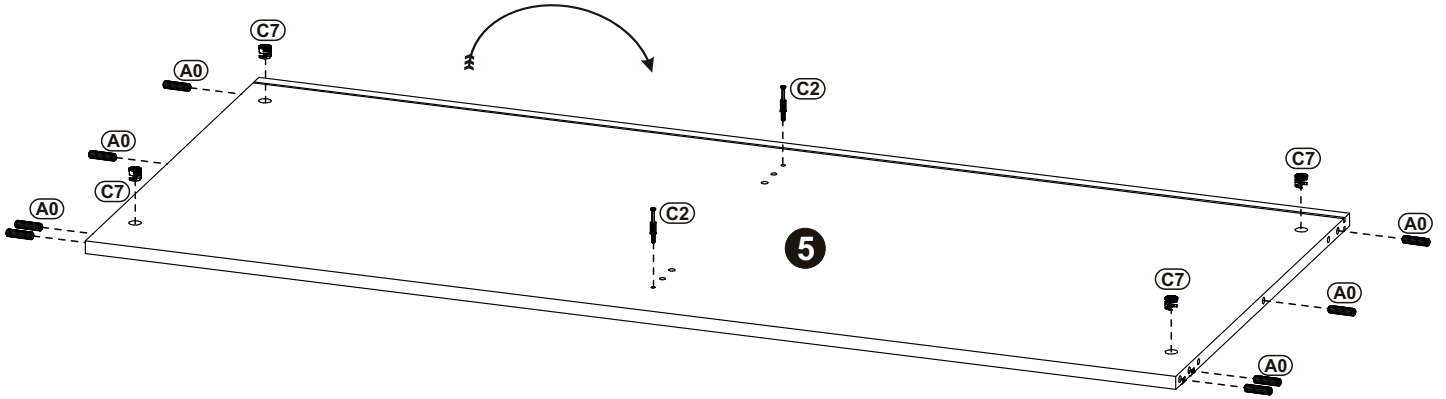
6

R3  L-1367 mm x2




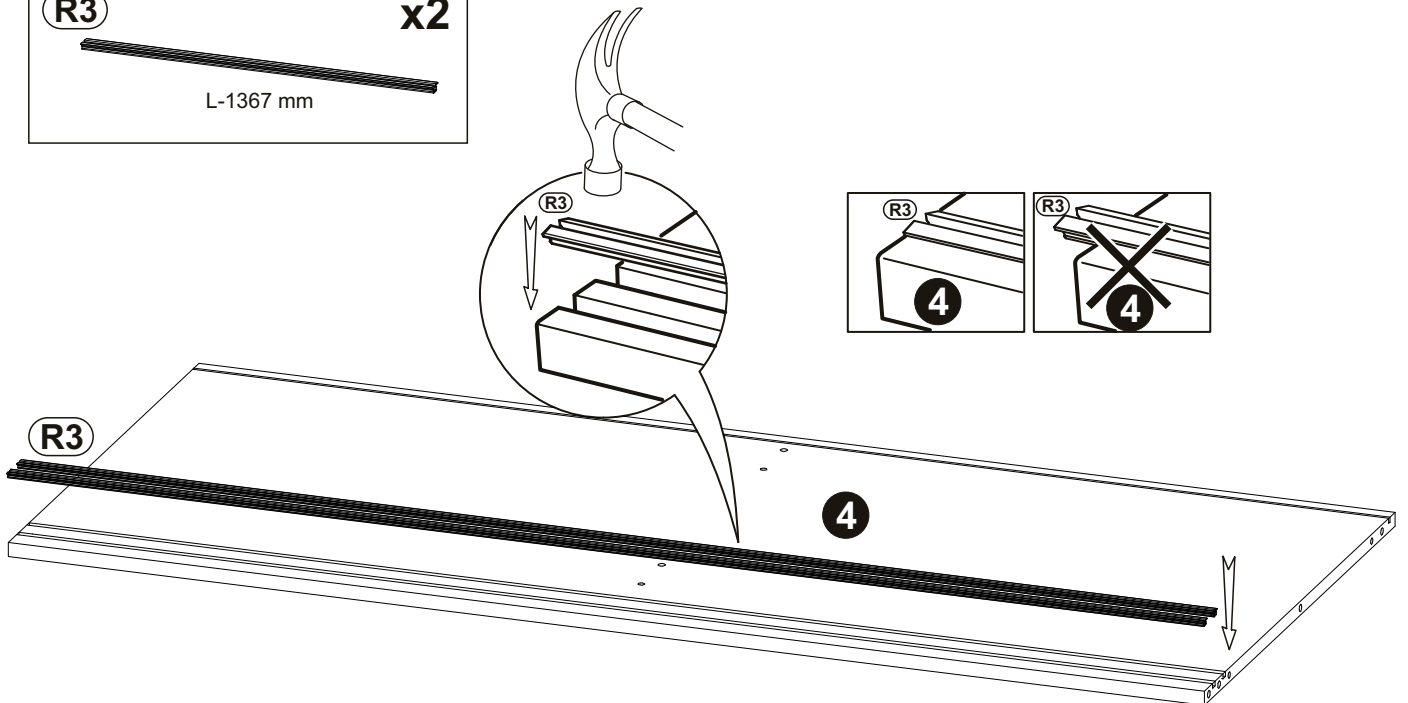
7 ▶

A0	 8x30 mm	x8	C2		x2	C7	 16 mm	x4
-----------	--	-----------	-----------	---	-----------	-----------	--	-----------




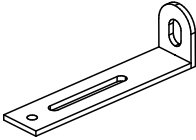



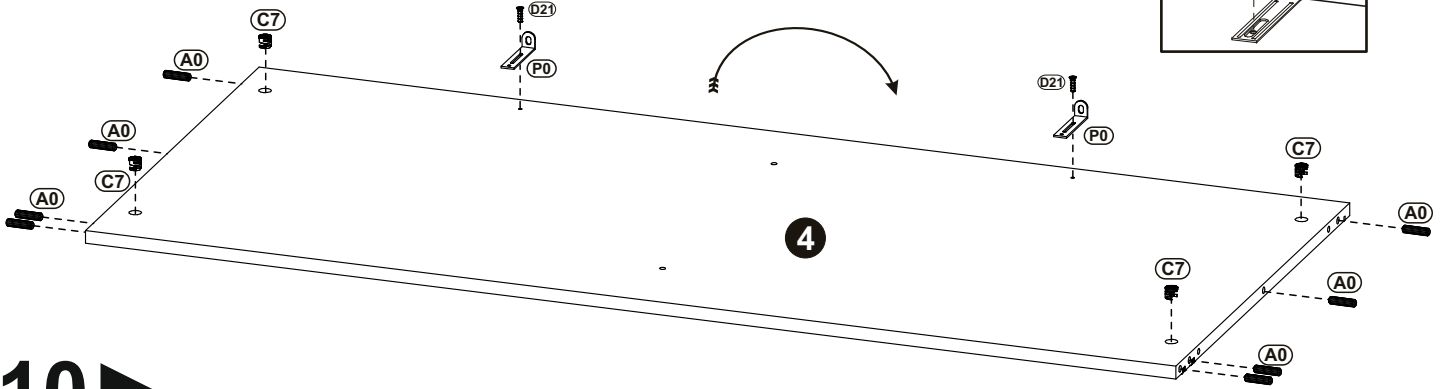
8 ▶

R3	 L-1367 mm	x2
-----------	--	-----------

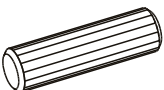



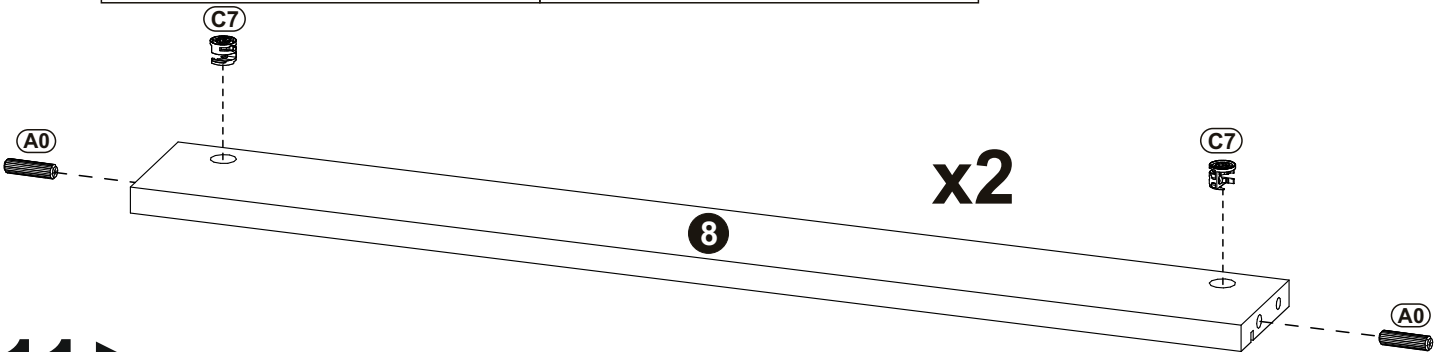
9

A0  8x30 mm x8	C7  16 mm x4	D21  5x13 mm x2
P0  x2		


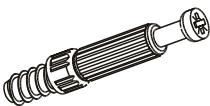



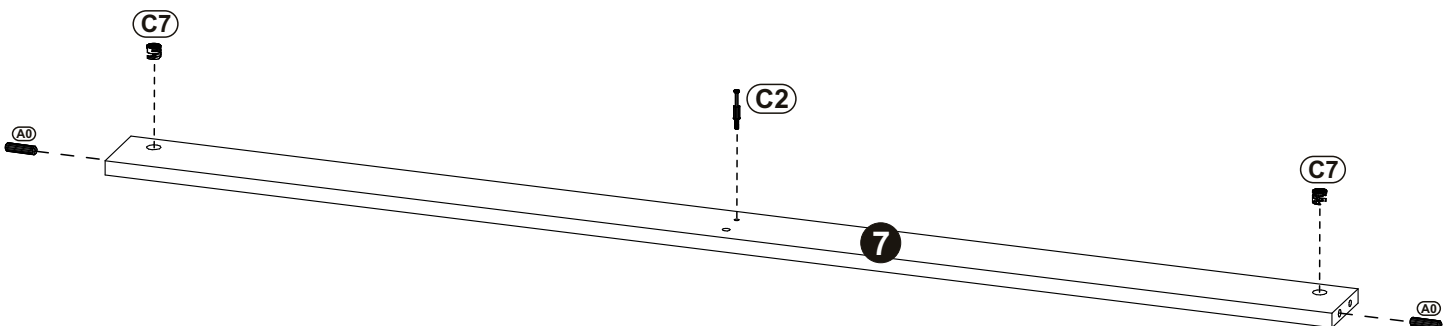
10

A0  8x30 mm x4	C7  16 mm x4
---	---

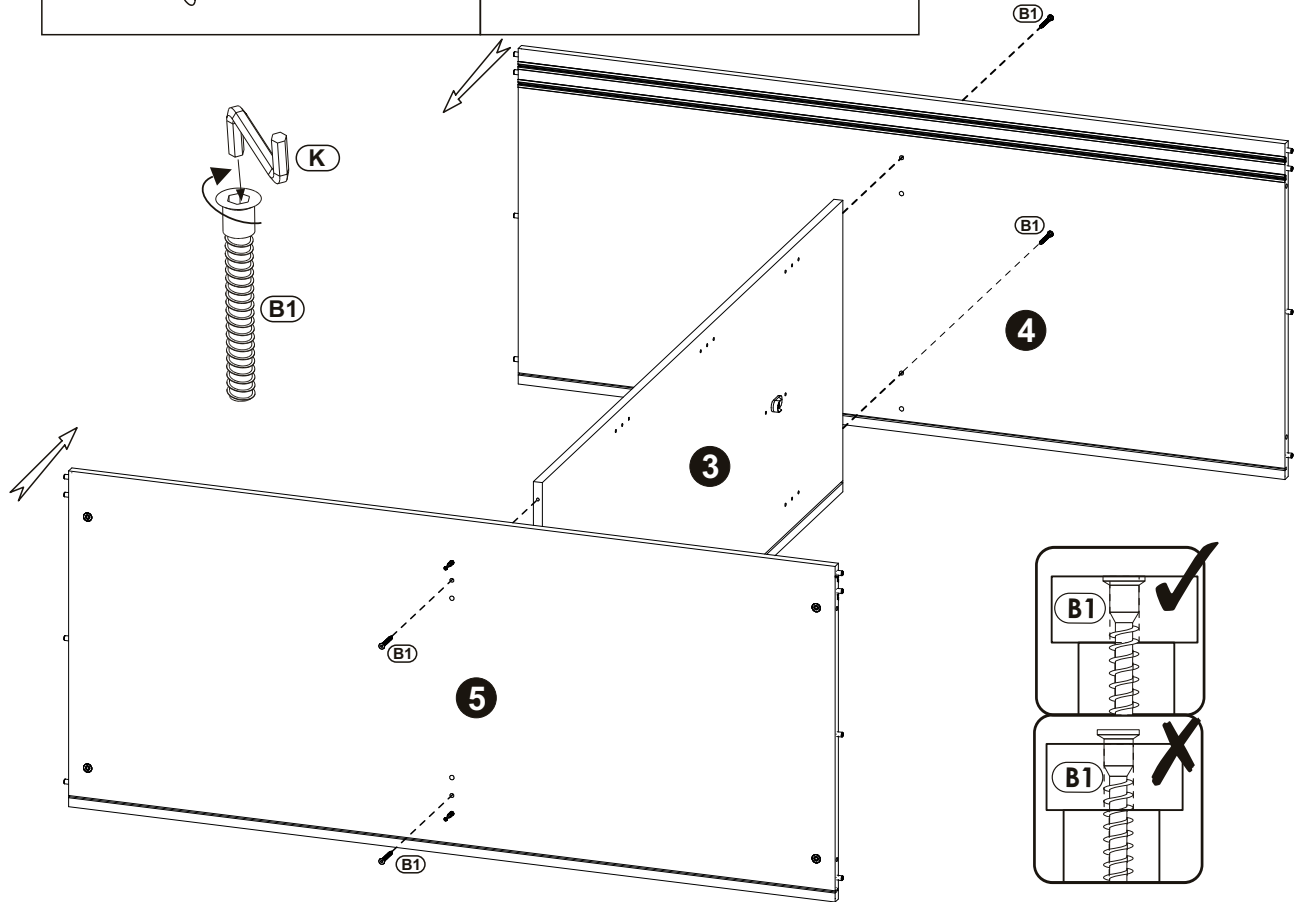
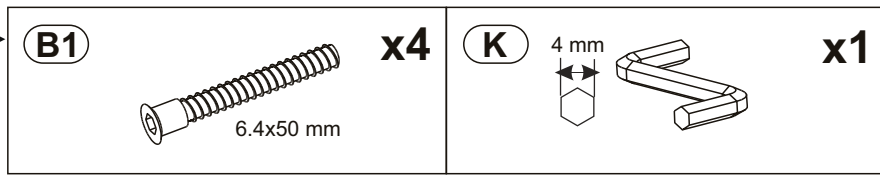


11

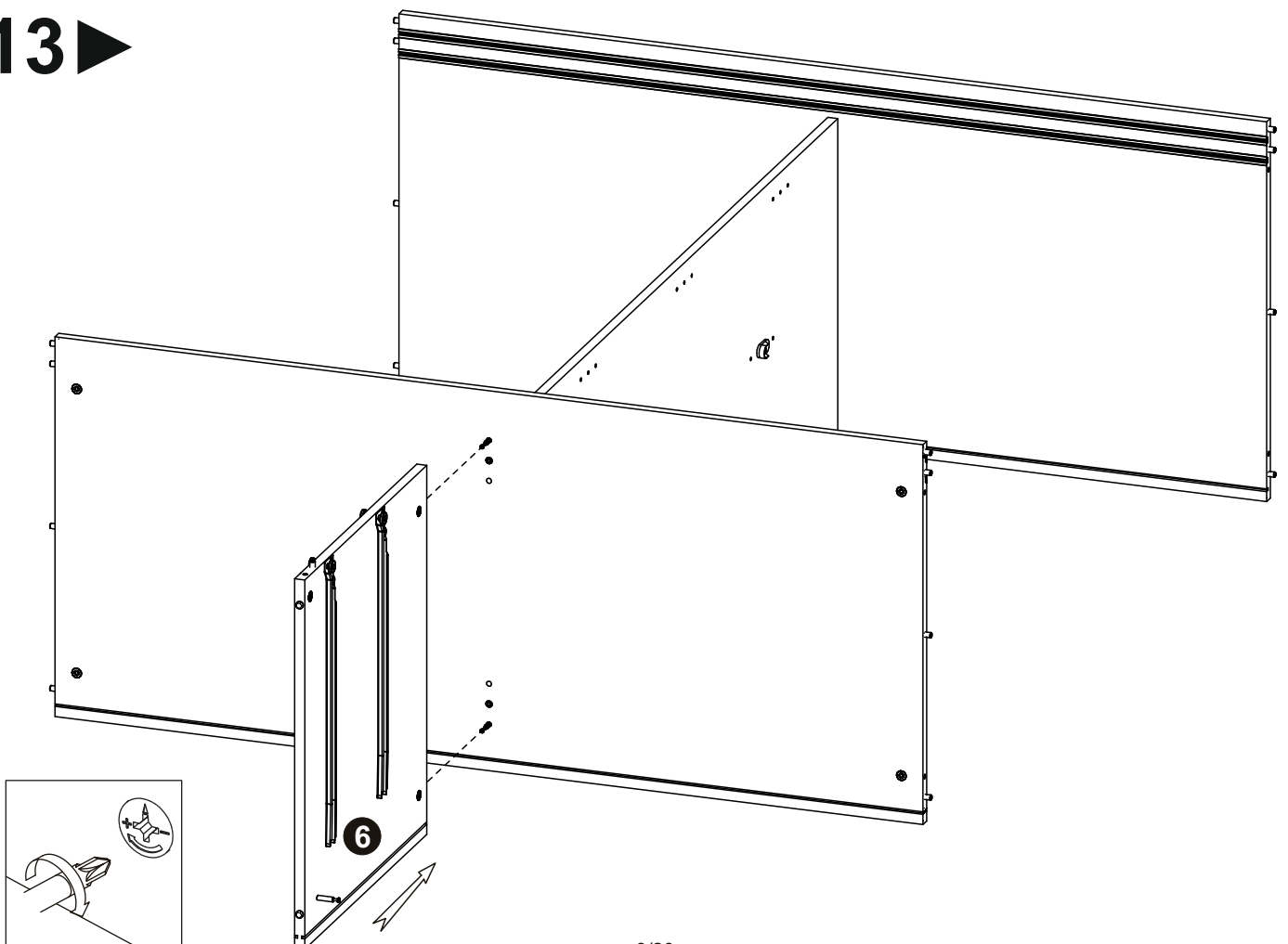
A0  8x30 mm x2	C2  x1	C7  16 mm x2
--	---	--



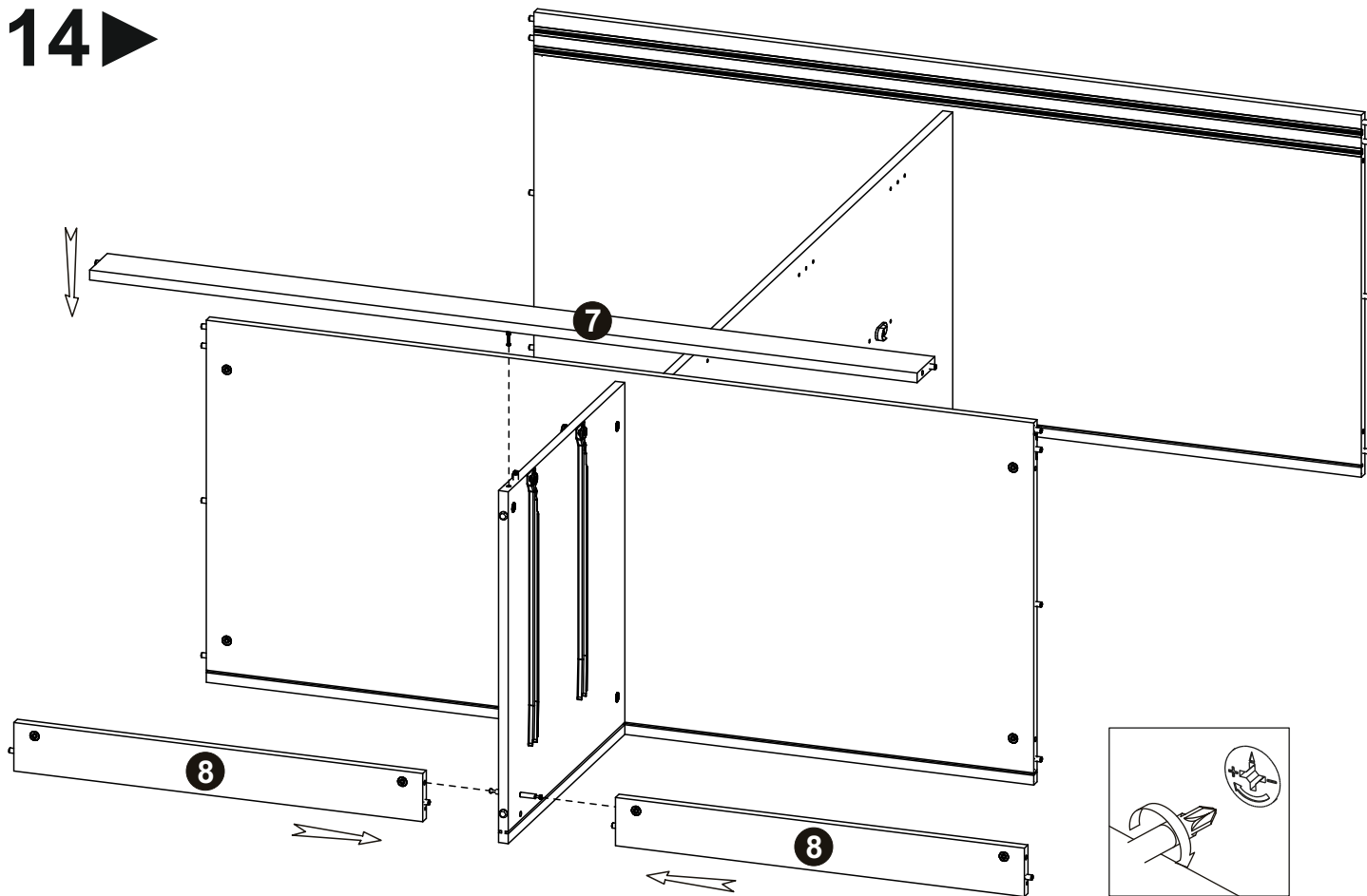
12 ▶



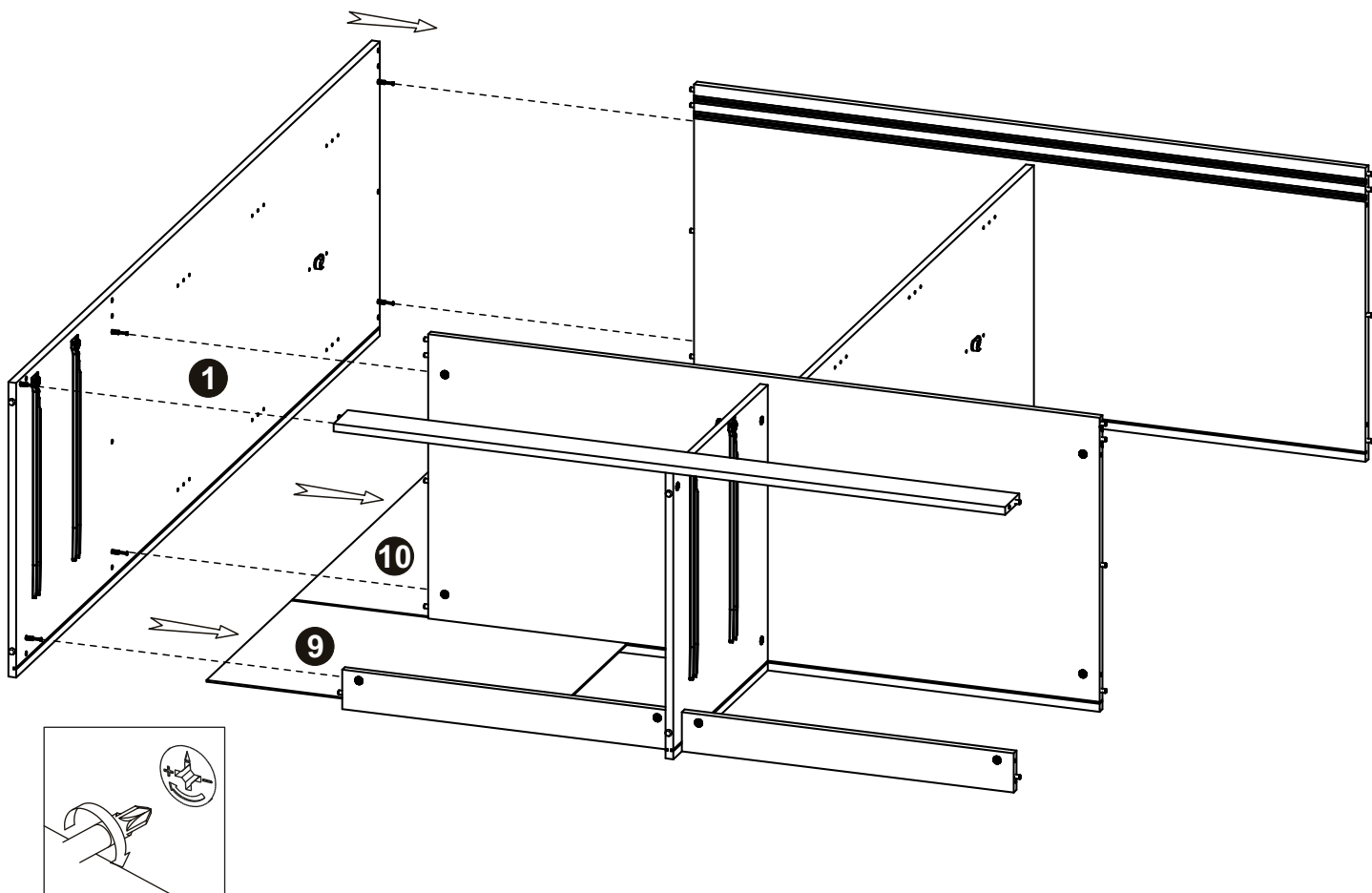
13 ▶



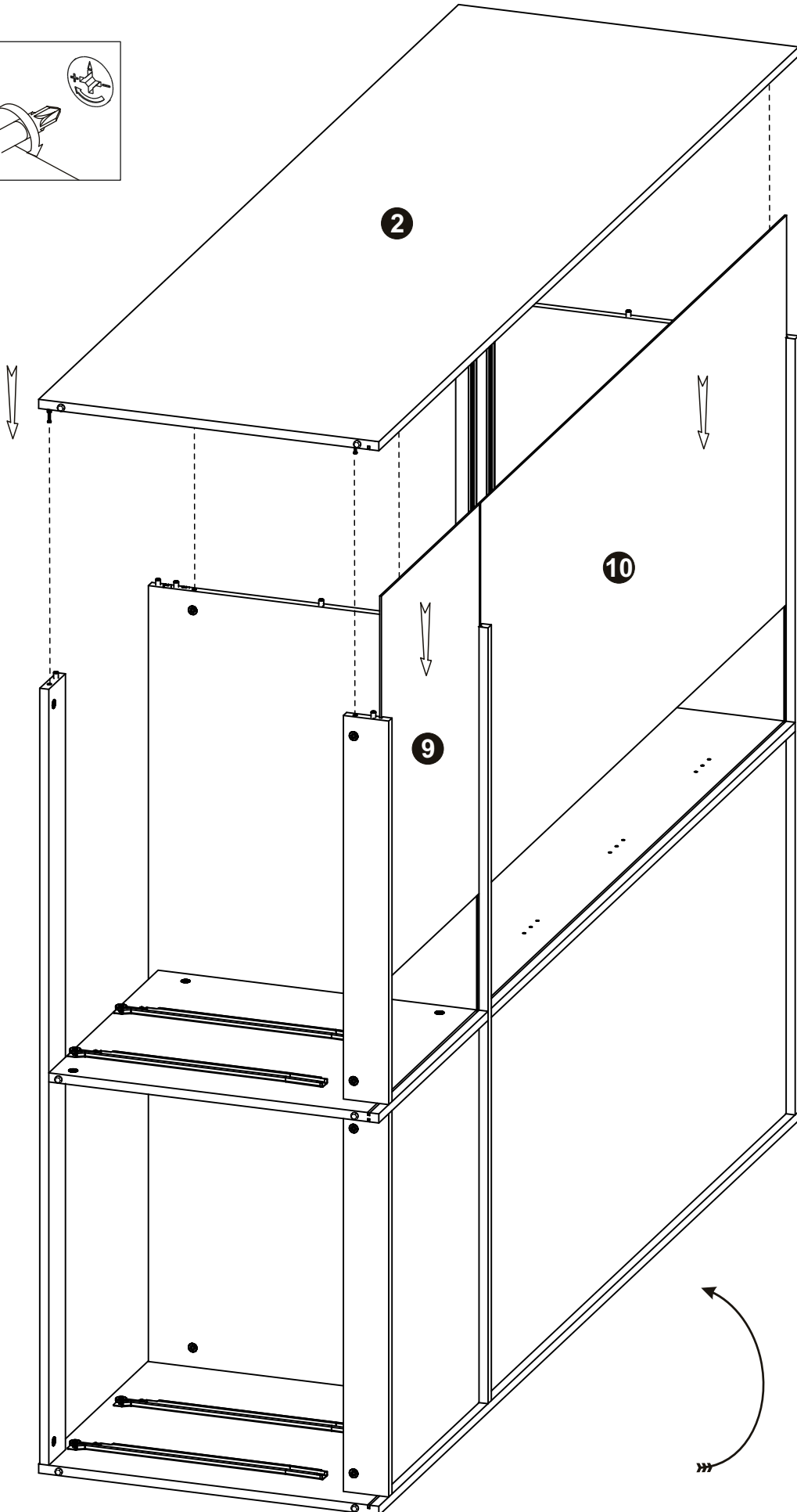
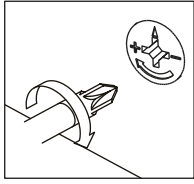
14 ▶





15 ▶

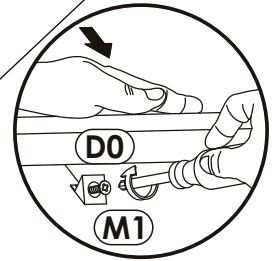
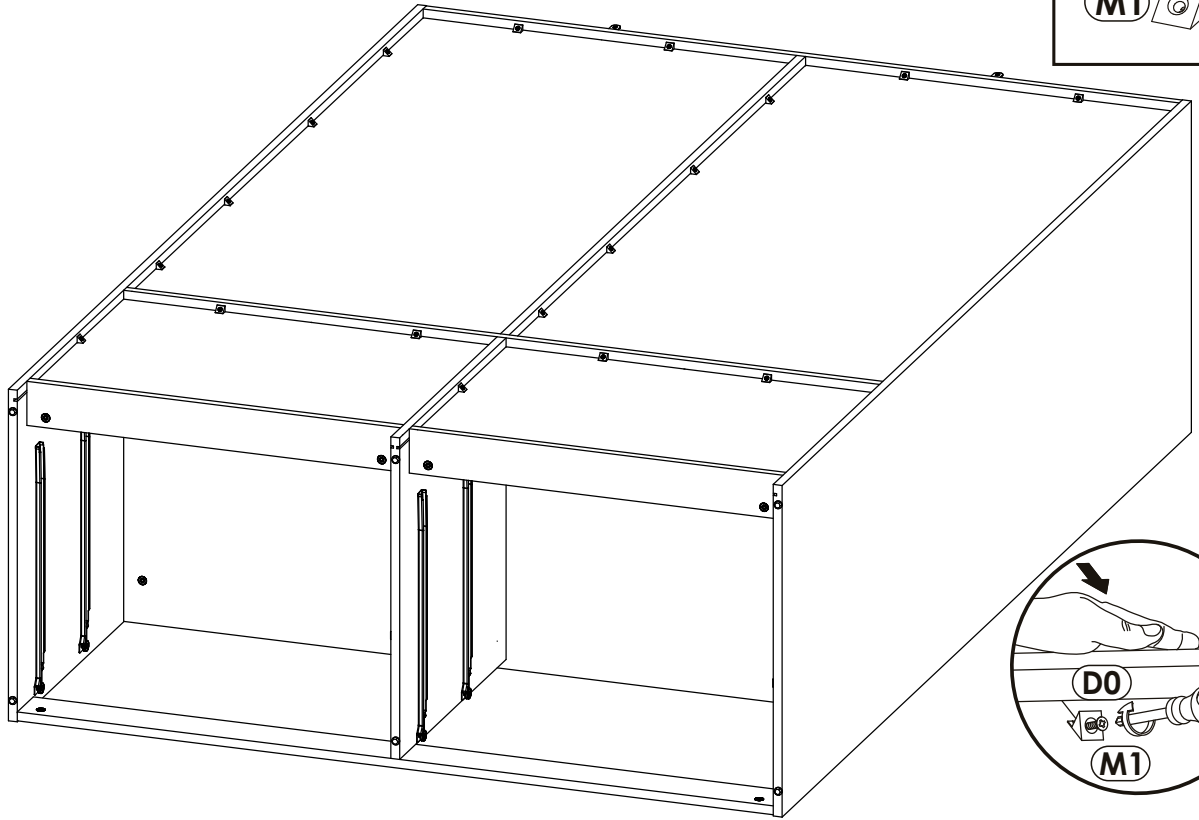
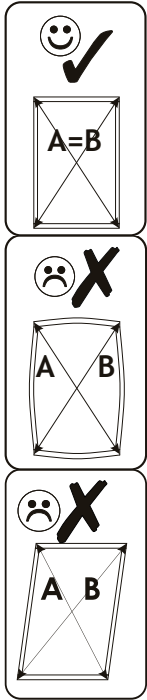
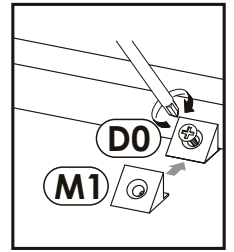


16 ▶

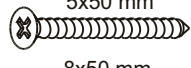
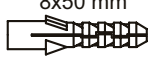
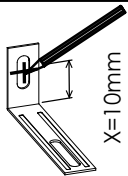
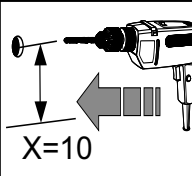
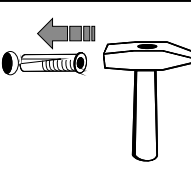
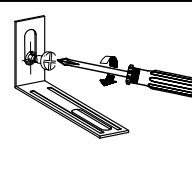


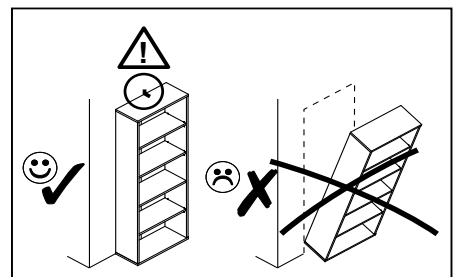
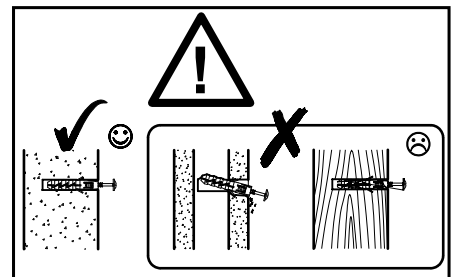
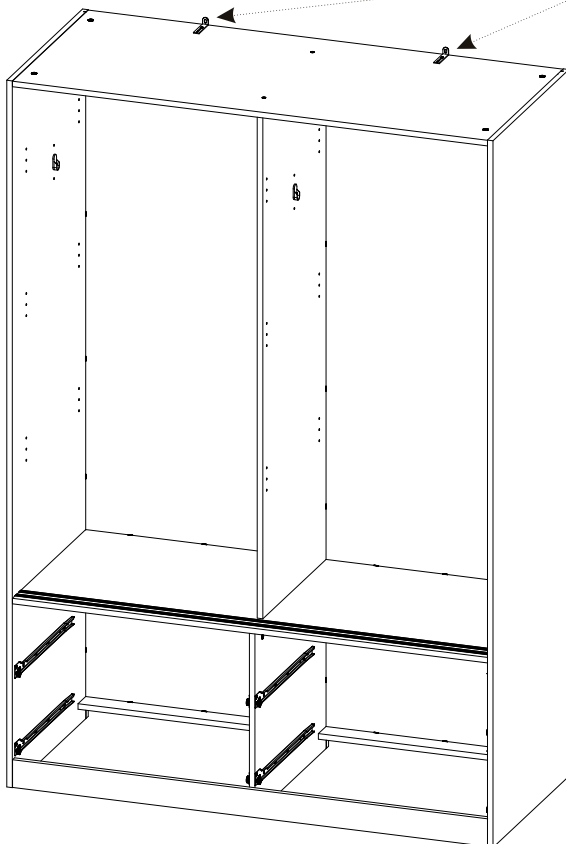
17

(D0)	 3x15 mm	x36	(M1)		x36
-------------	--	------------	-------------	---	------------

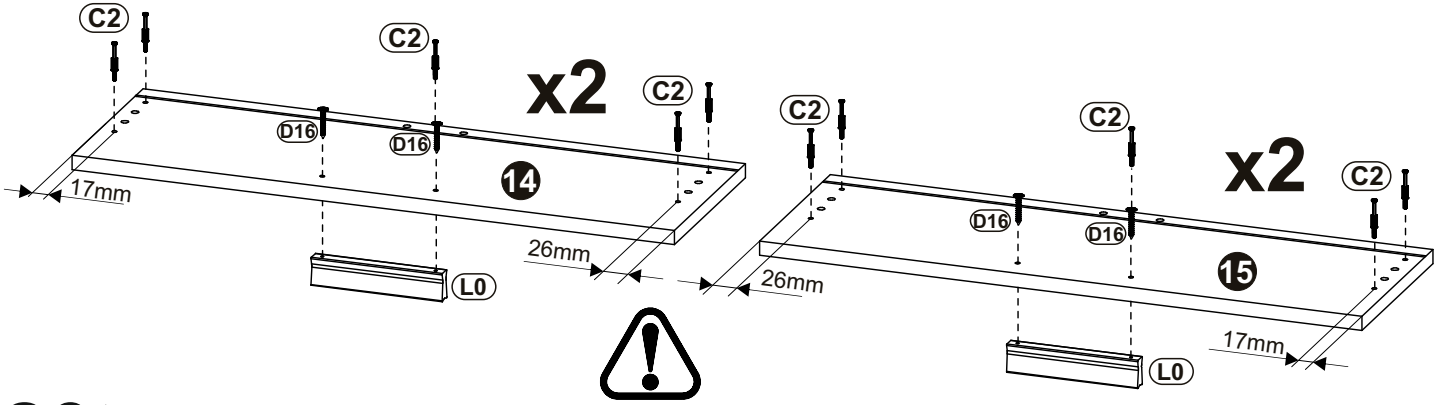
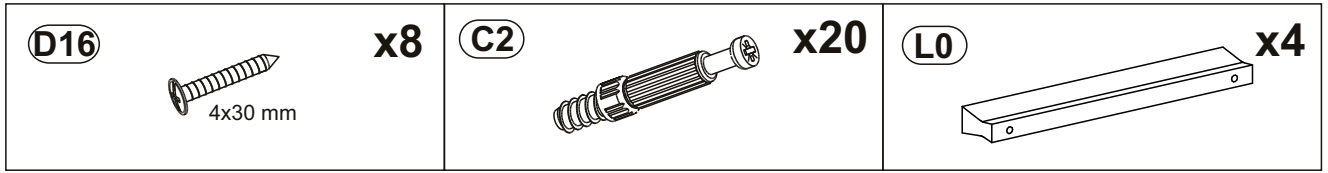


18

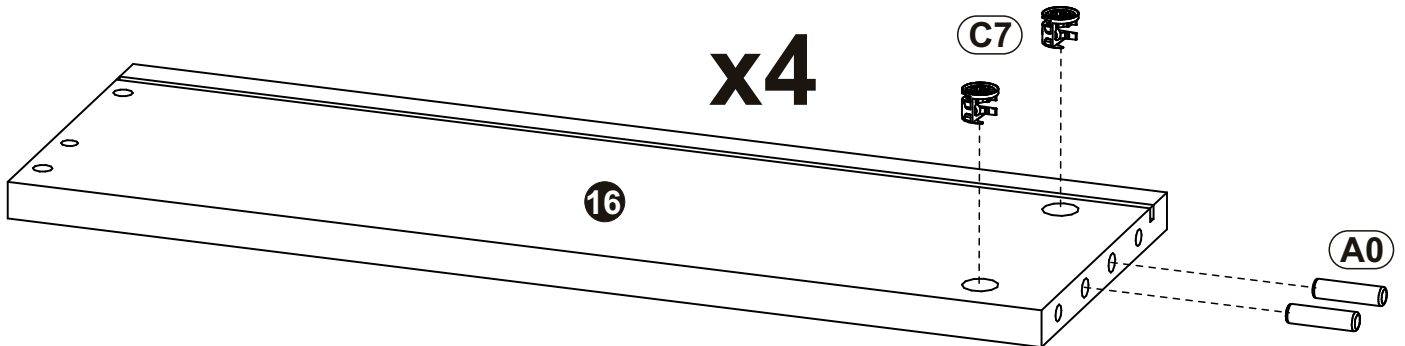
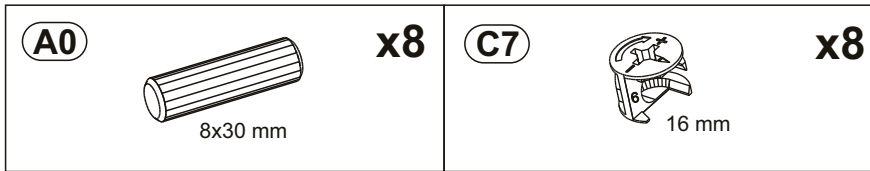
(E0)	 5x50 mm	x2	 8x50 mm				
-------------	--	-----------	--	---	--	---	---



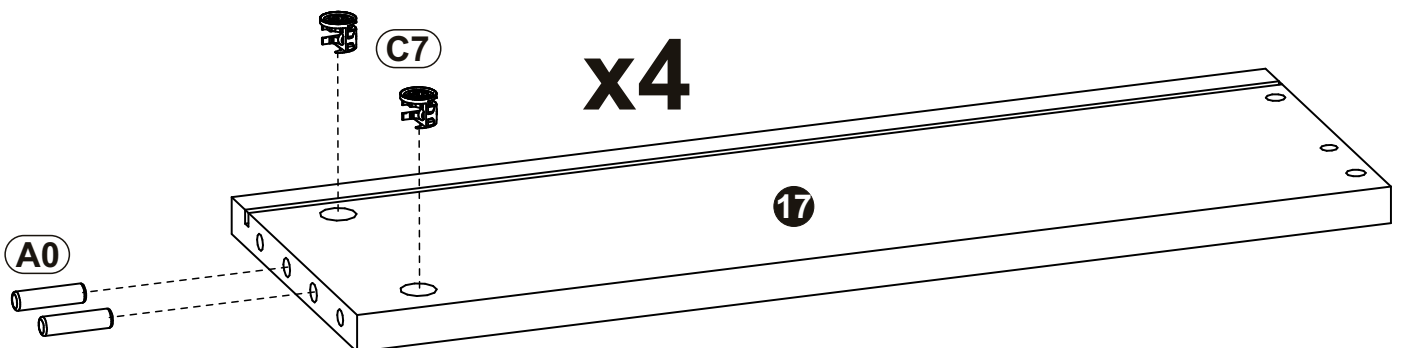
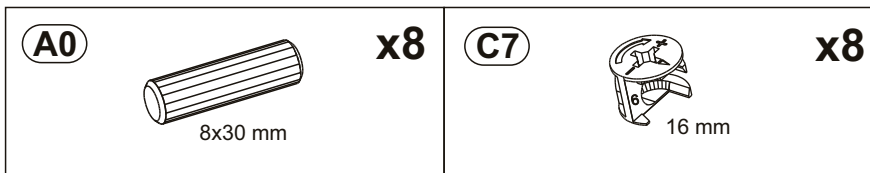
19 ▶



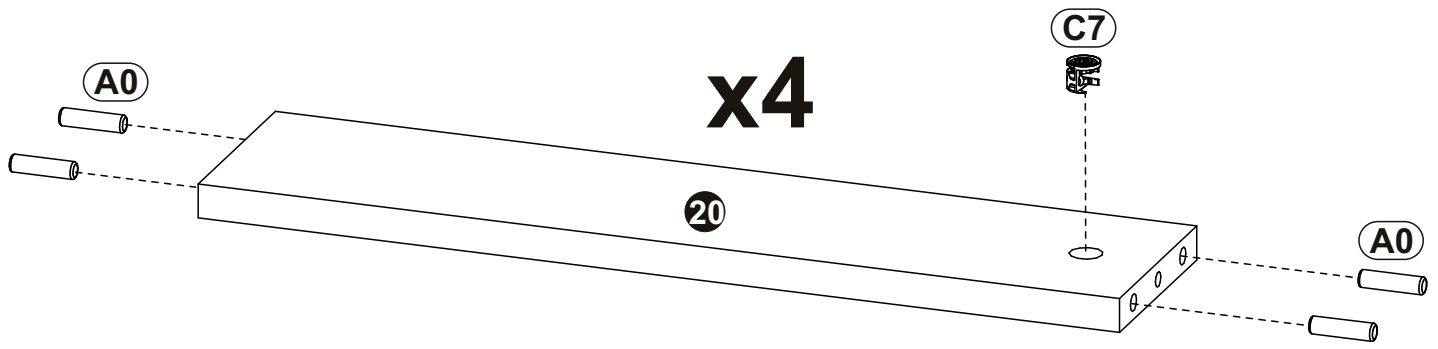
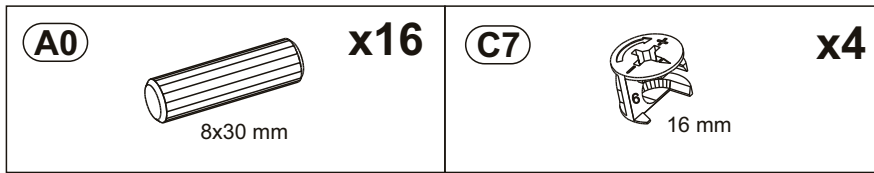
20 ▶



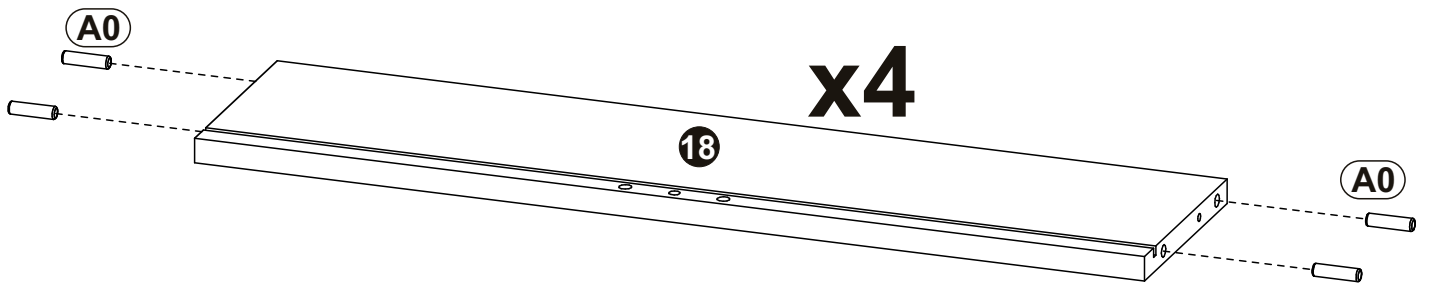
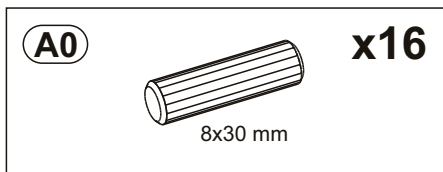
21 ▶



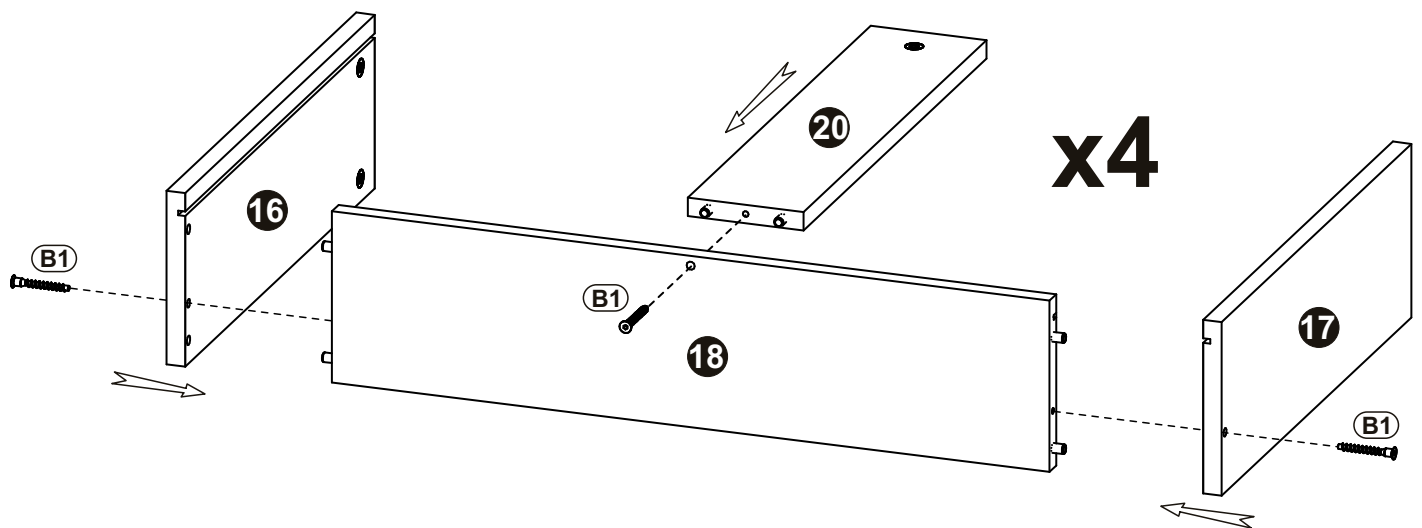
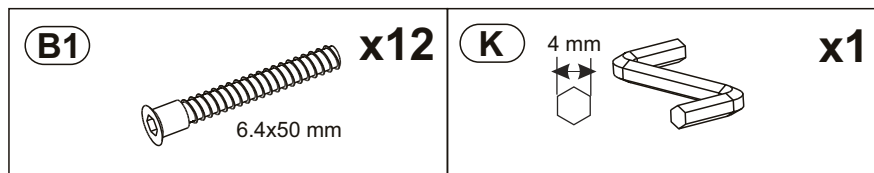
22 ▶



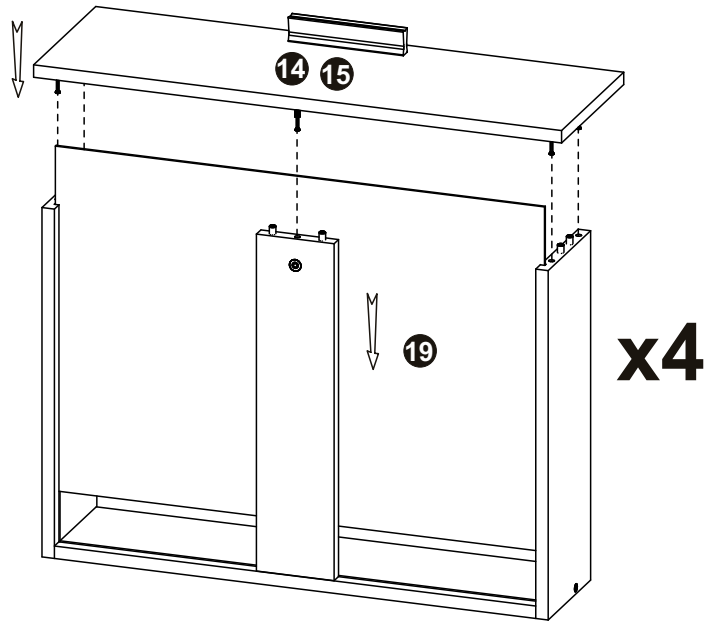
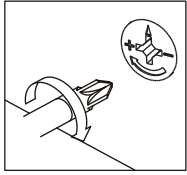
23 ▶



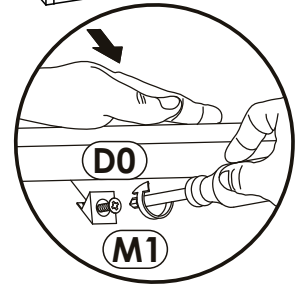
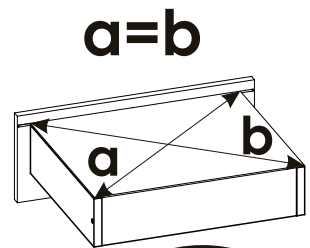
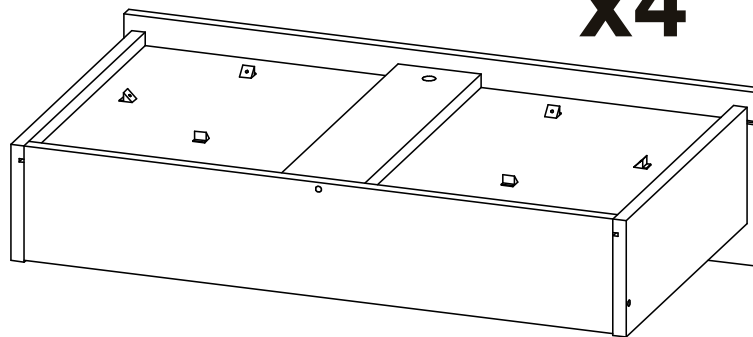
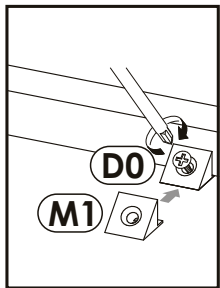
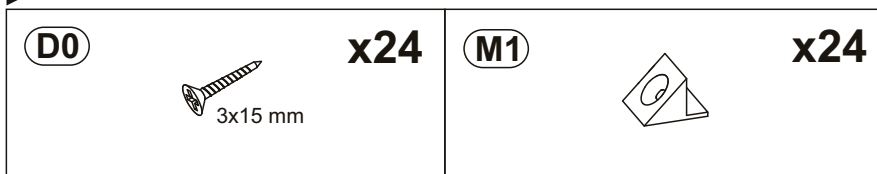
24 ▶



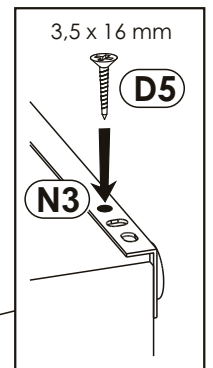
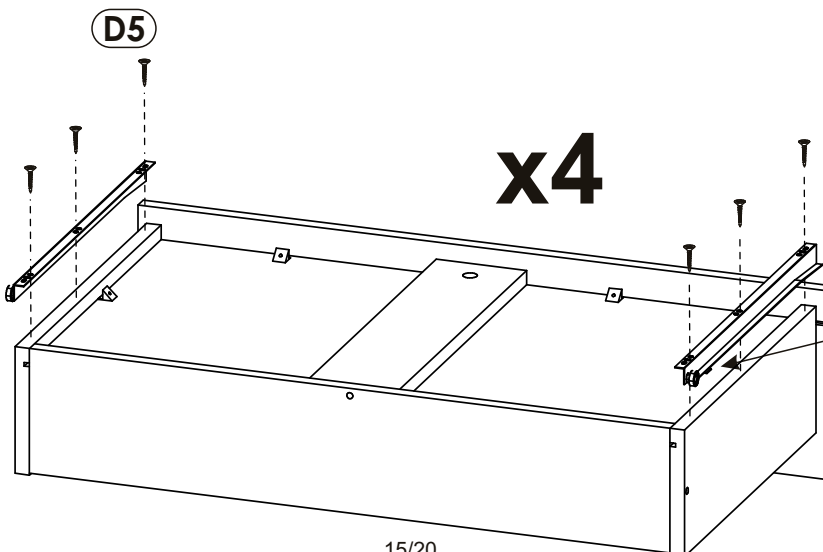
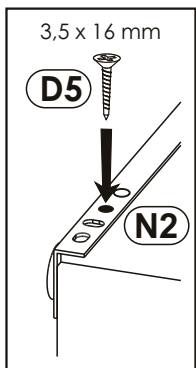
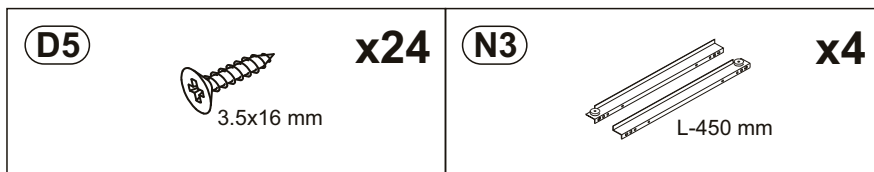
25 ▶



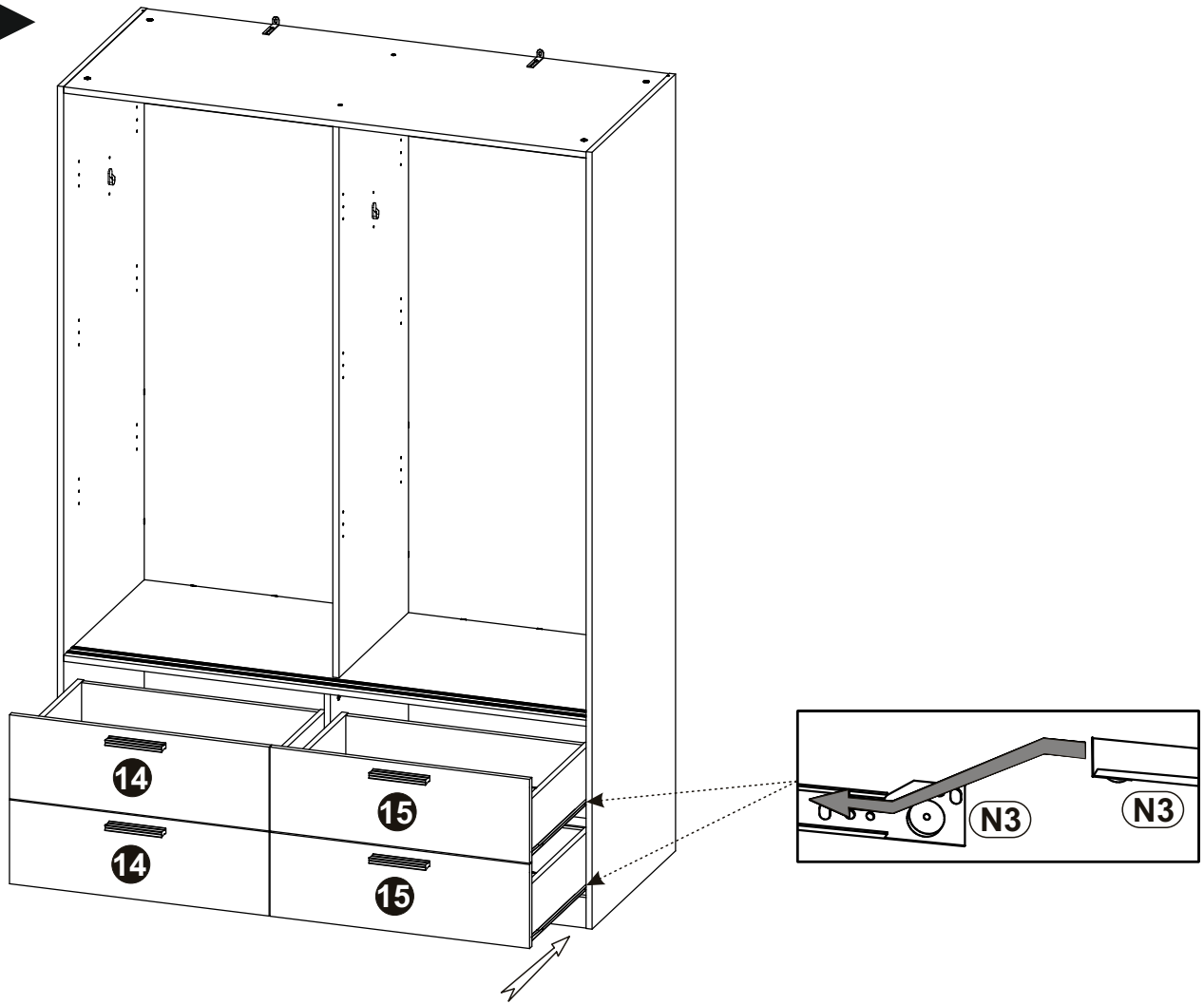
26 ▶





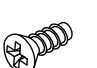
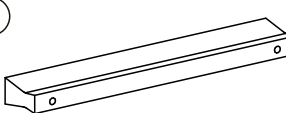
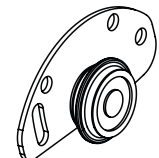
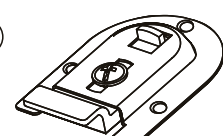
27 ▶

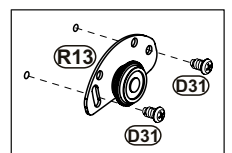
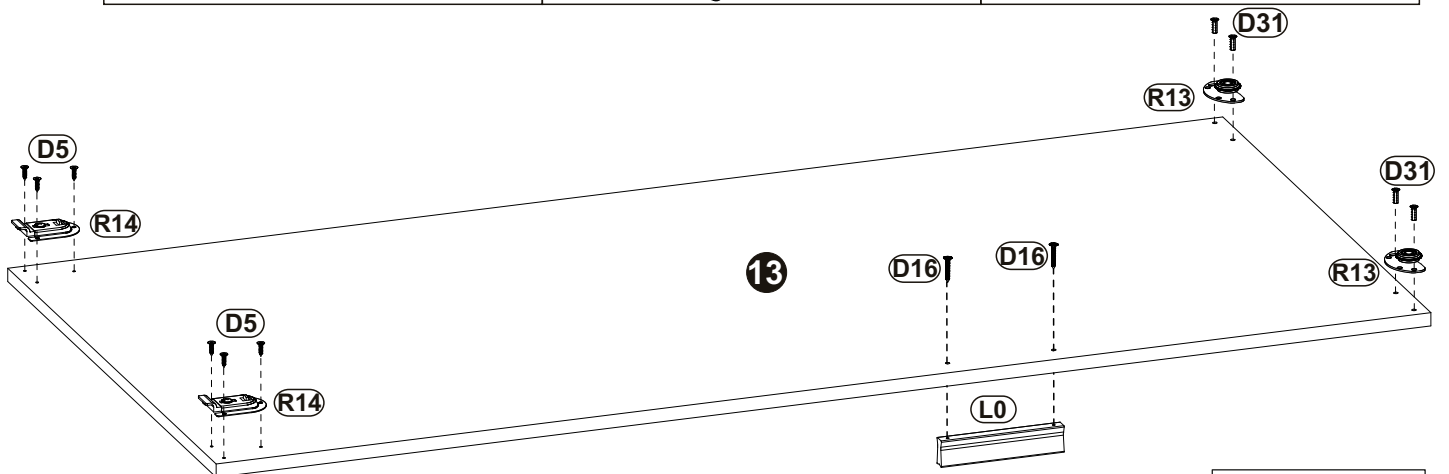


28 ▶



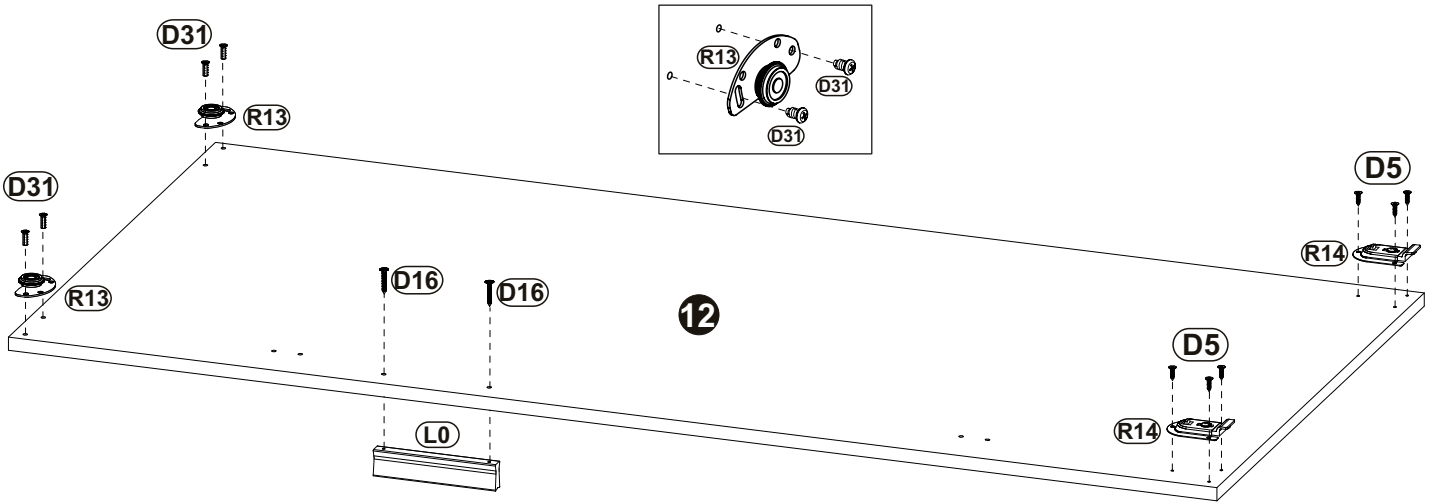
29 ▶

(D5)  3.5x16 mm x6	(D16)  4x30 mm x2	(D31)  6,3x13 mm x4
(L0)  x1	(R13)  x2	(R14)  x2

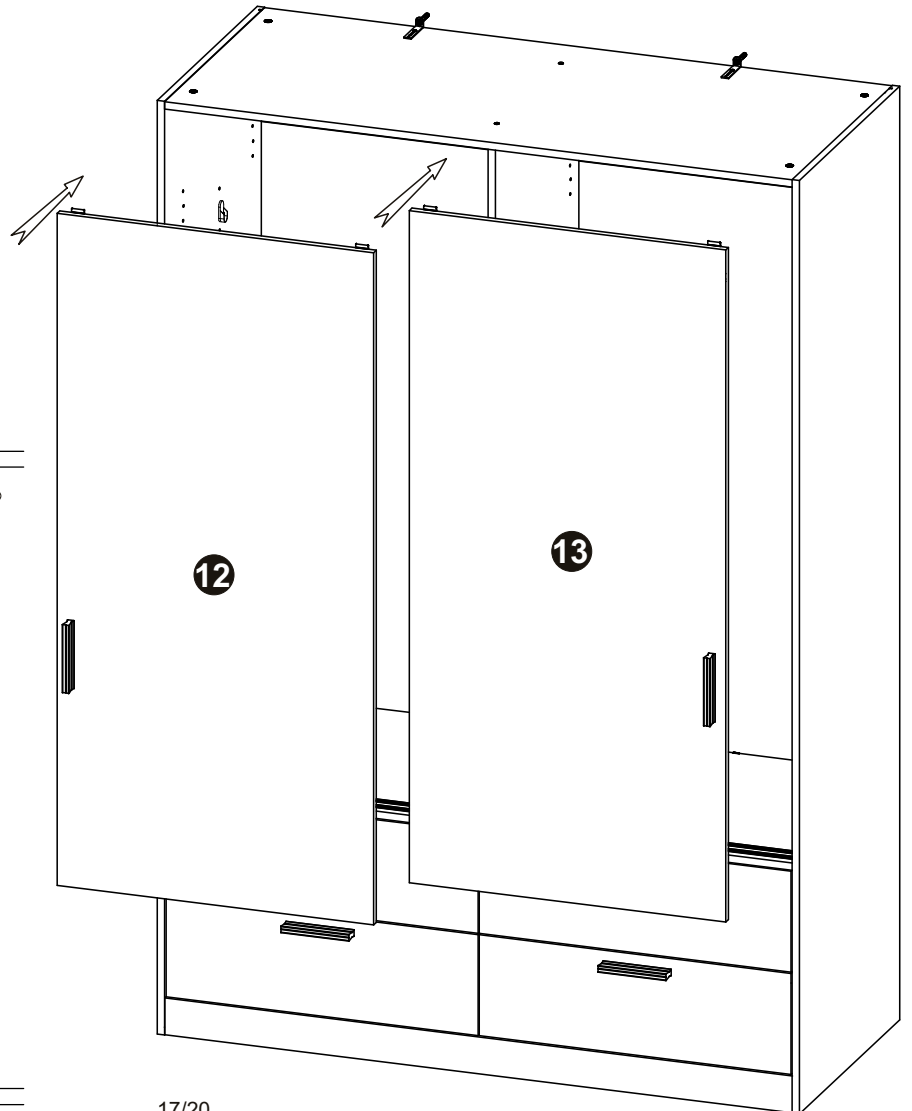
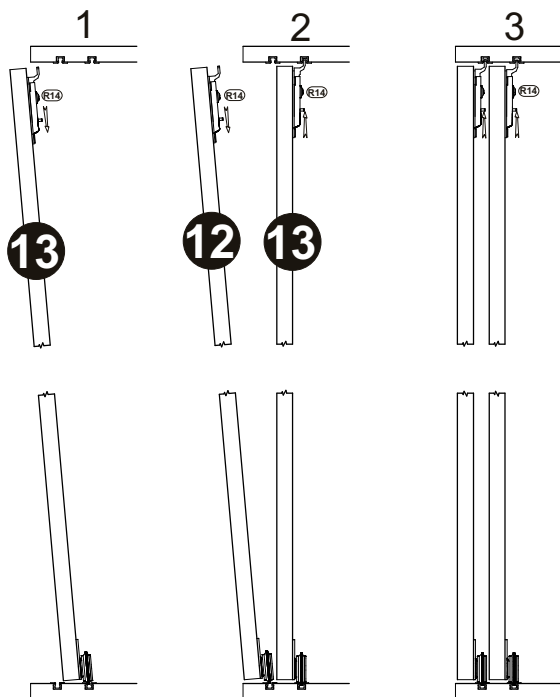
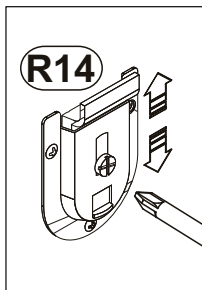


30 ▶


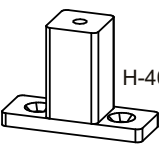

(D5) 3.5x16 mm x6	(D16) 4x30 mm x2	(D31) 6.3x13 mm x4
(L0) x1	(R13) x2	(R14) x2

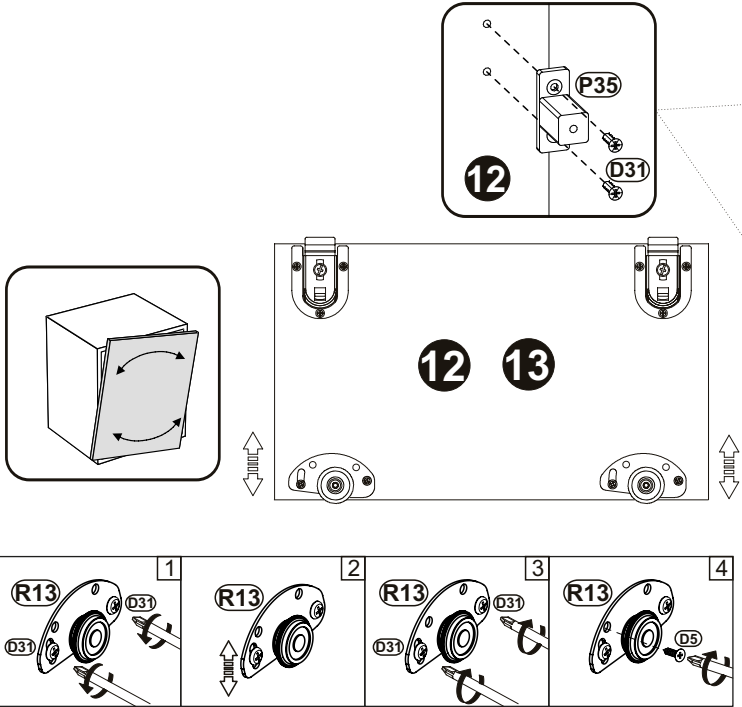


31 ▶


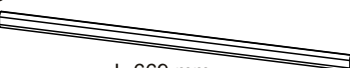



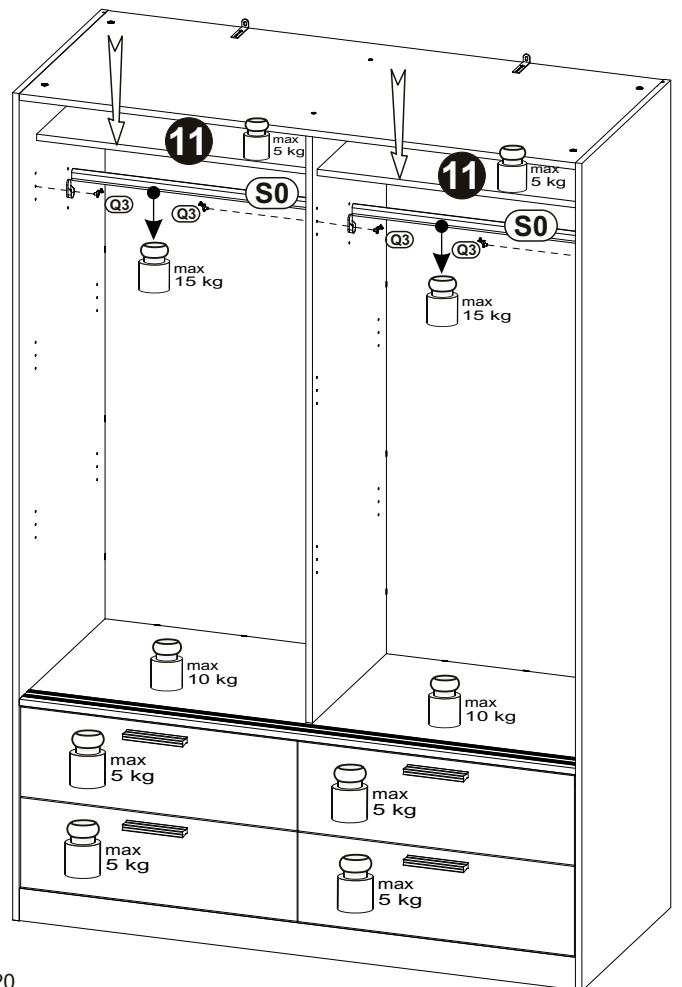
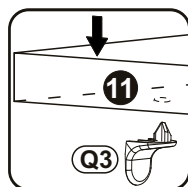
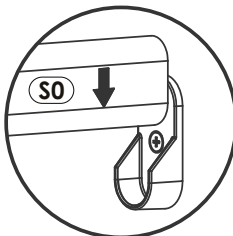
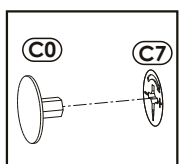
32

D5		x4	P35		x2	D31		x4
-----------	---	-----------	------------	---	-----------	------------	---	-----------

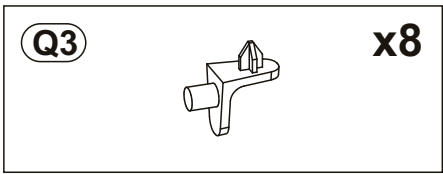


33

Q3		x8
S0		x2
C0		x16



1 ▶



Option

1	676	490	16	x2	1/1
---	-----	-----	----	----	-----

