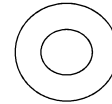
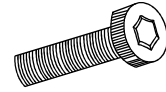
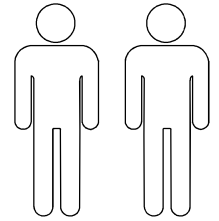
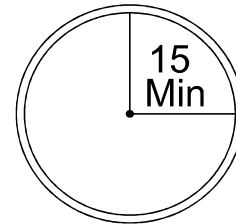


Art. No.66947-200

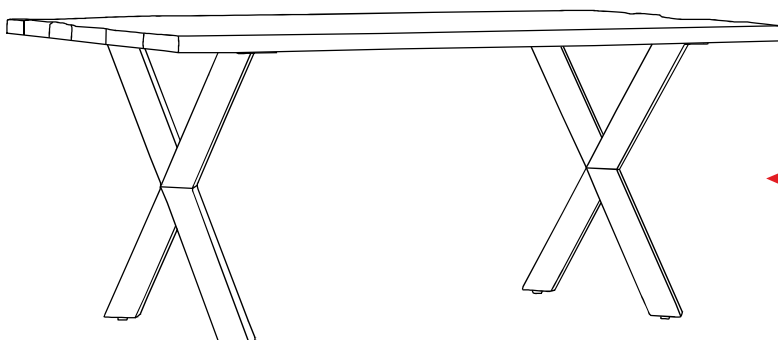
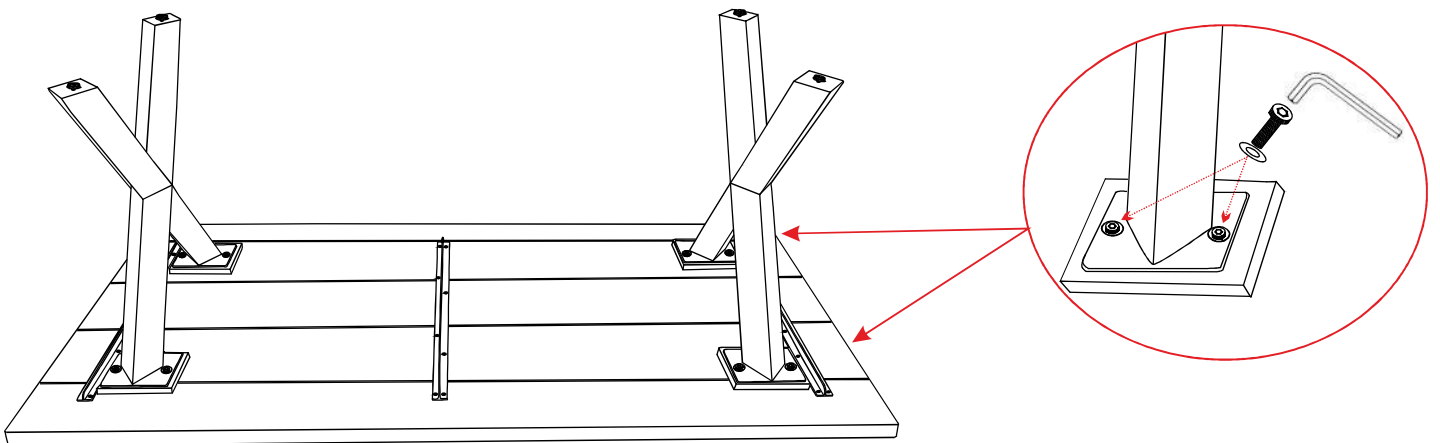
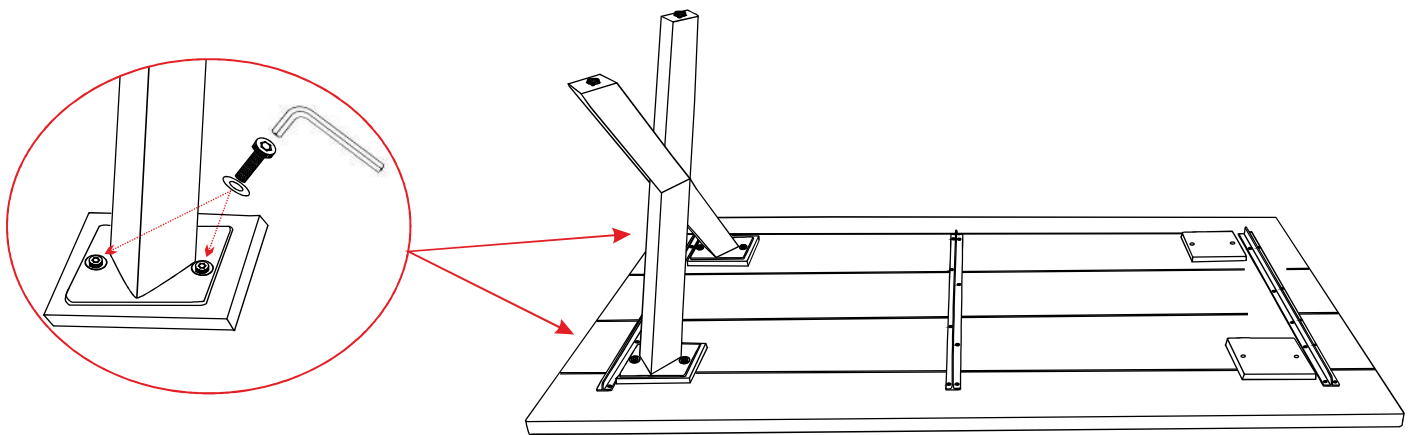


(8x25mm)

(8 Pcs.)

(8 Pcs.)

(1 Pcs.)



← **Assembled Product**