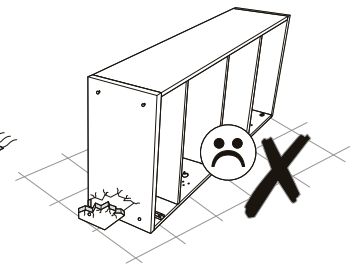
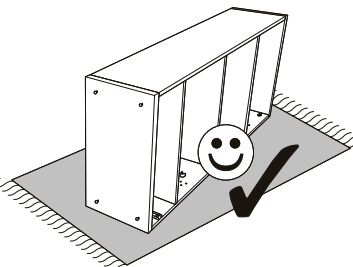
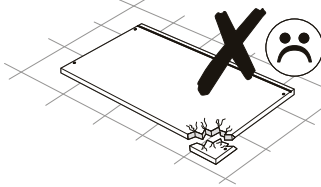
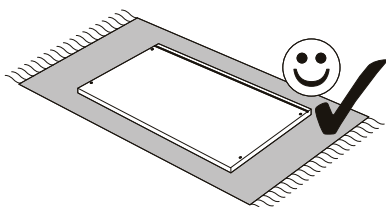
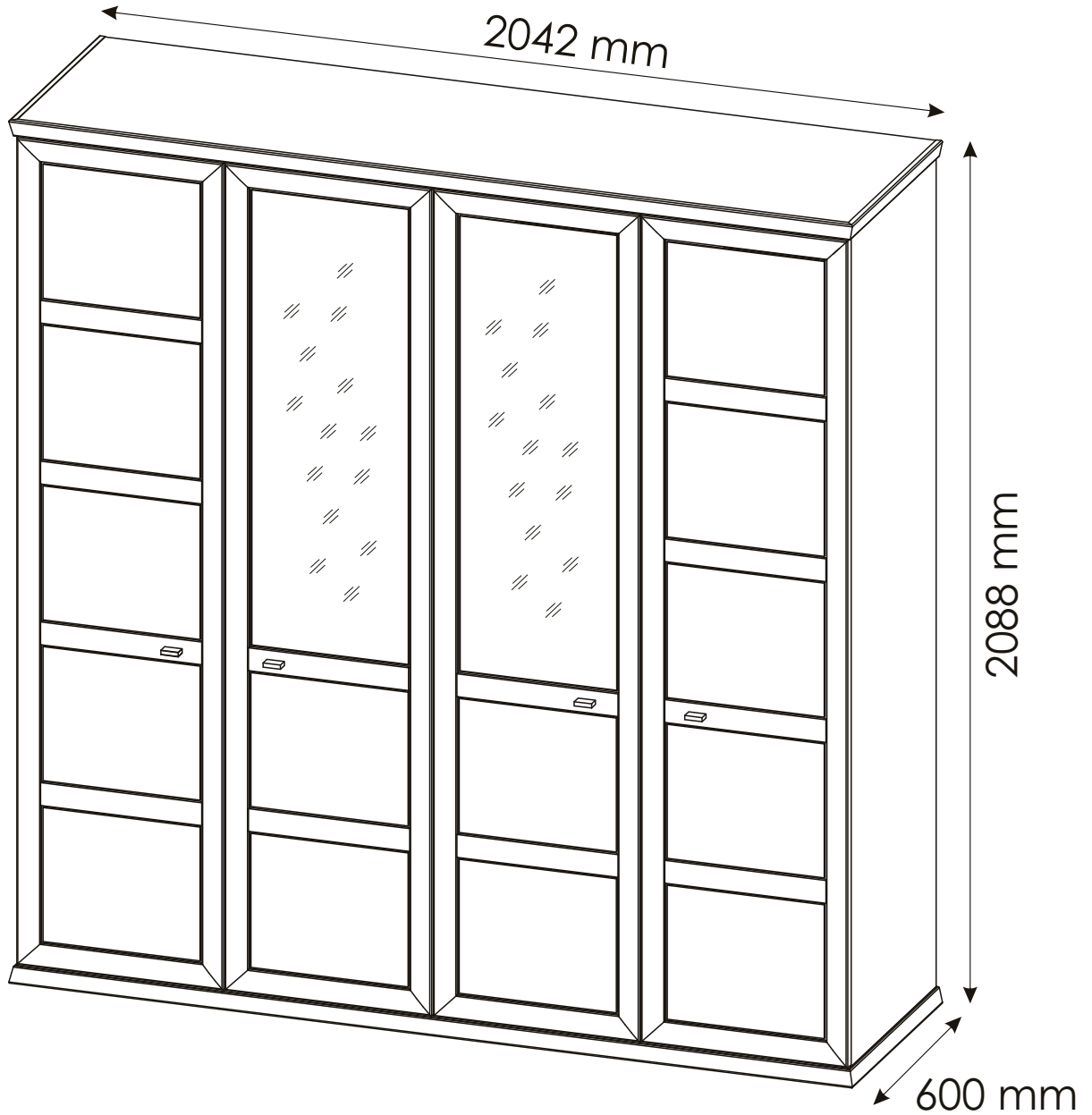
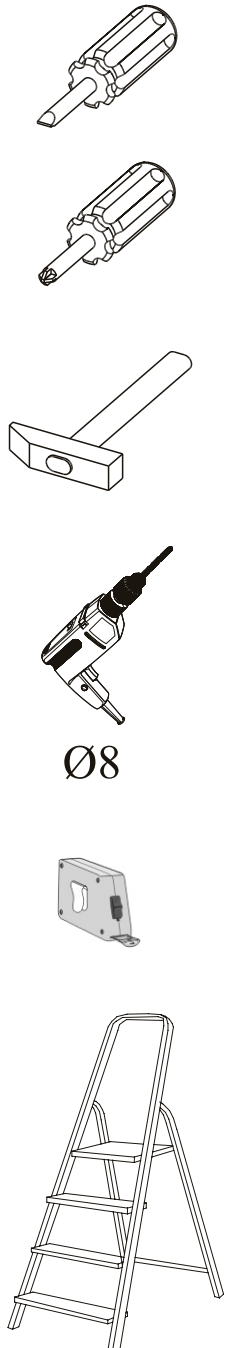
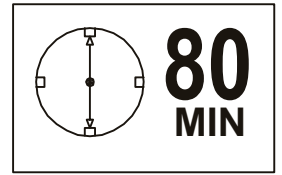
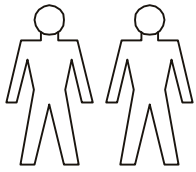

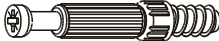



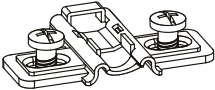
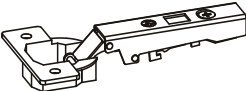
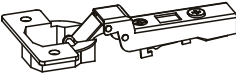
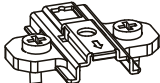


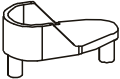

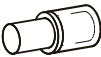

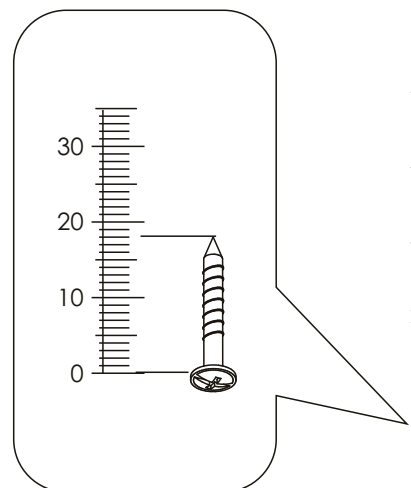
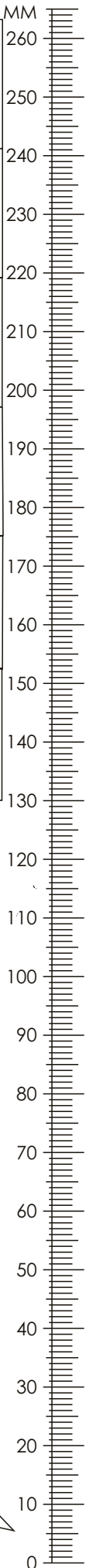
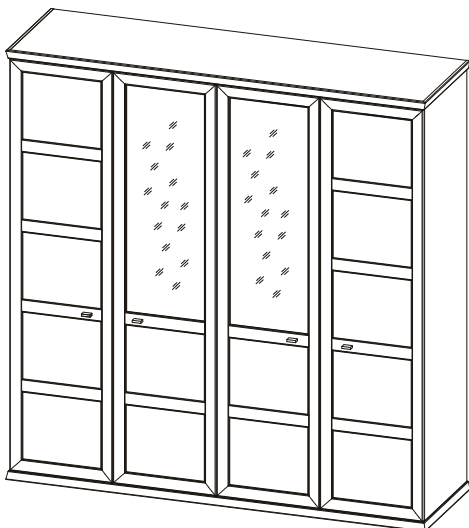
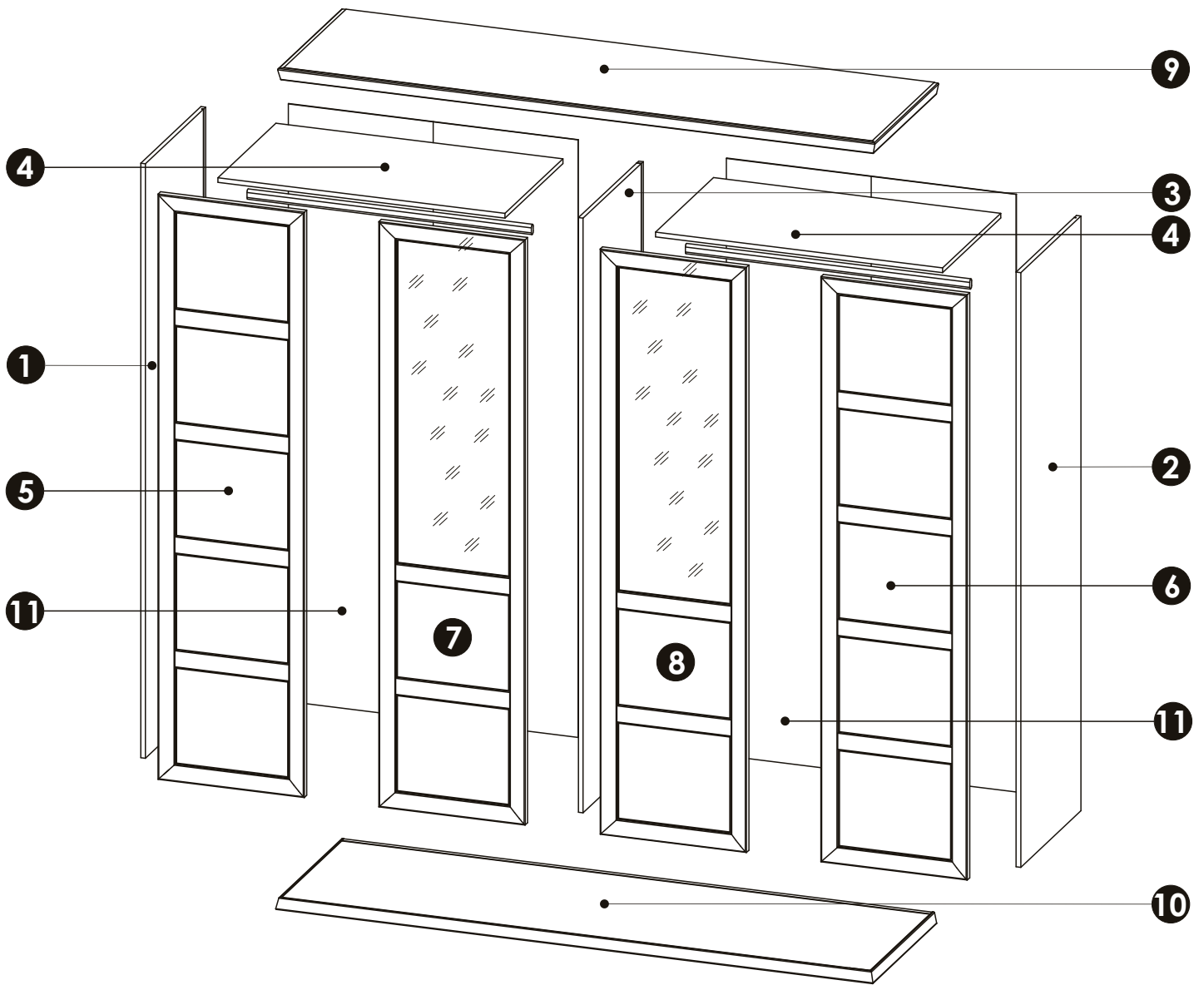


DREHTURENSCHRANK , Typ 2T2GT




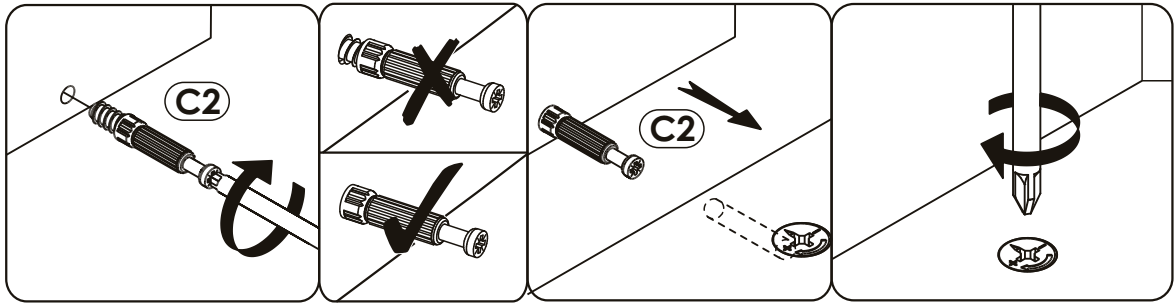
C0		x12	C2		x12	C10	6.3 x 20 mm		x4
C13	6.3 x 16 mm	x4	D3	3.5 x 10 mm	x2	D5	3.5 x 16 mm		x2
D10	4 x 16 mm	x32	D21	5 x 13 mm	x2	D30	EURO 6,3 x 13 mm		x20
E0	5 x 50 mm 8 x 50 mm	x2	H2	4 x 22 mm	x8	J3		x8	
J10		x8	J13		x8	J14		x8	
L6		x4	M0		x20	O0		x4	
P0		x2	S0	L-972	x2				
Q4		x4	U2		x13				


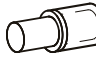



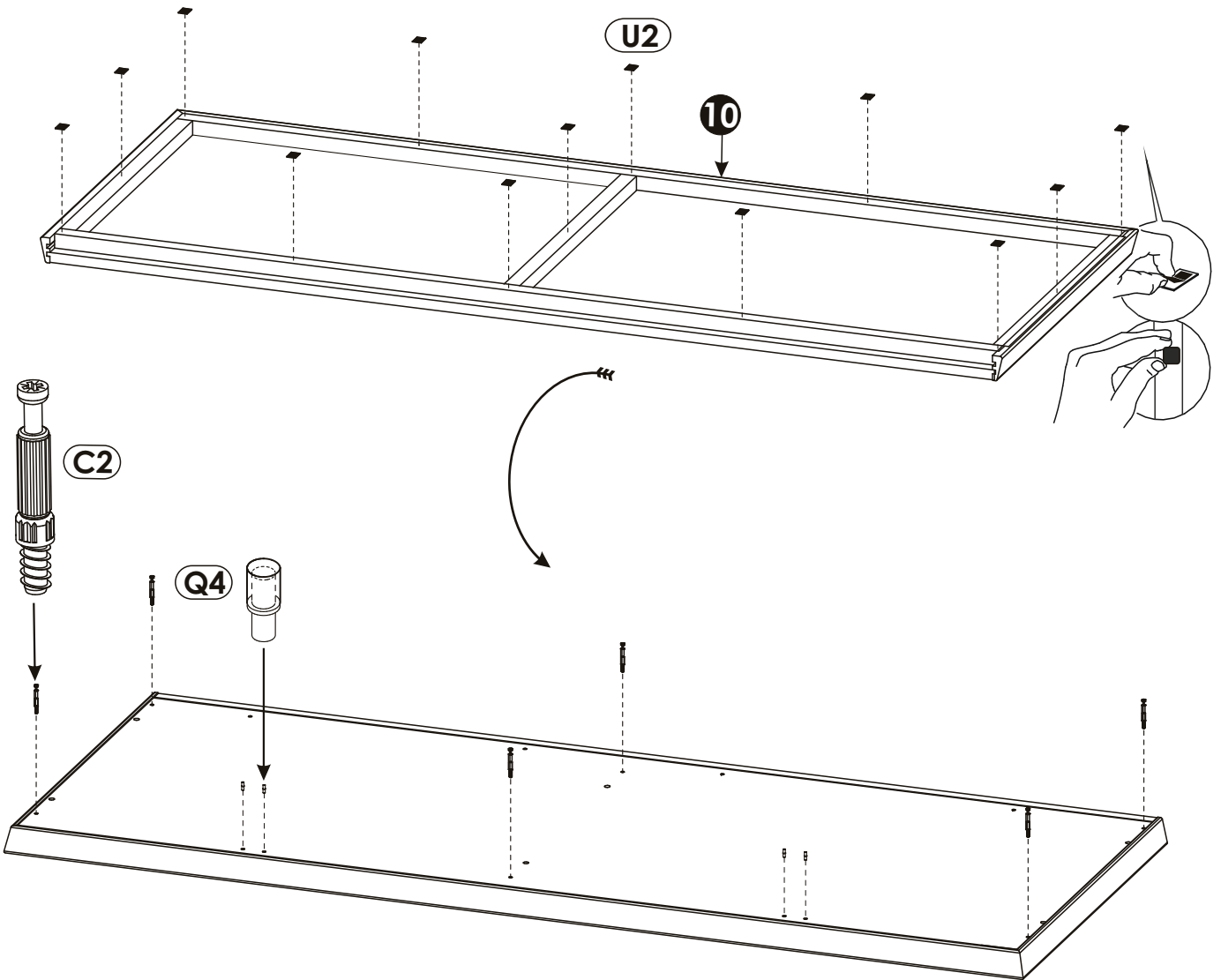


1	2032	565	16 x1	1/8
2	2032	565	16 x1	1/8
3	2032	565	16 x1	2/8
4	981	544	16 x2	3/8
5	2000	500	25 x1	5/8
6	2000	500	25 x1	6/8
7	2000	500	25 x1	6/8




8	2000	500	25 x1	5/8
9	2042	600	40 x1	7/8
10	2042	600	40 x1	8/8
11	2042	990	2,8 x2	2/8
(S0)			x2	3/8
				4/8

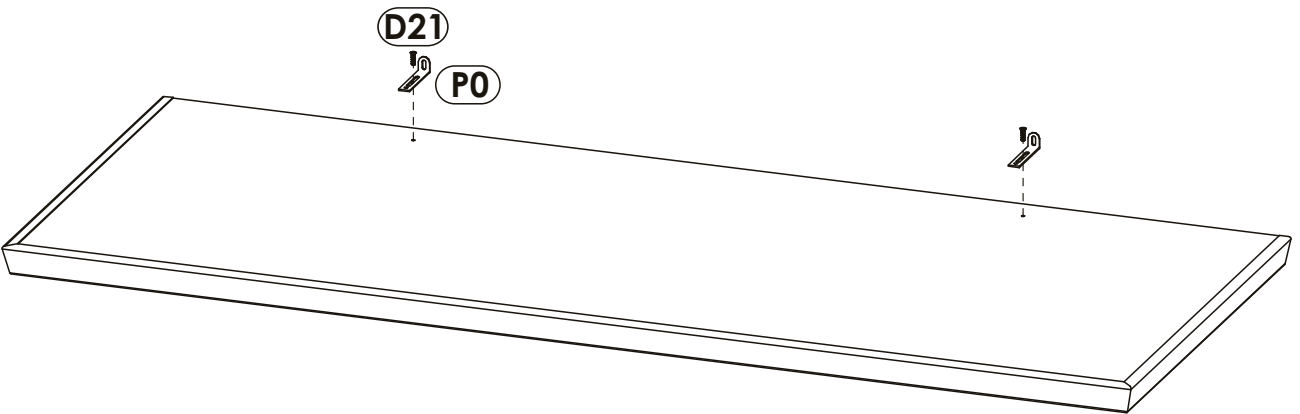
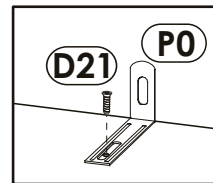
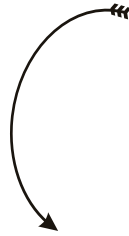
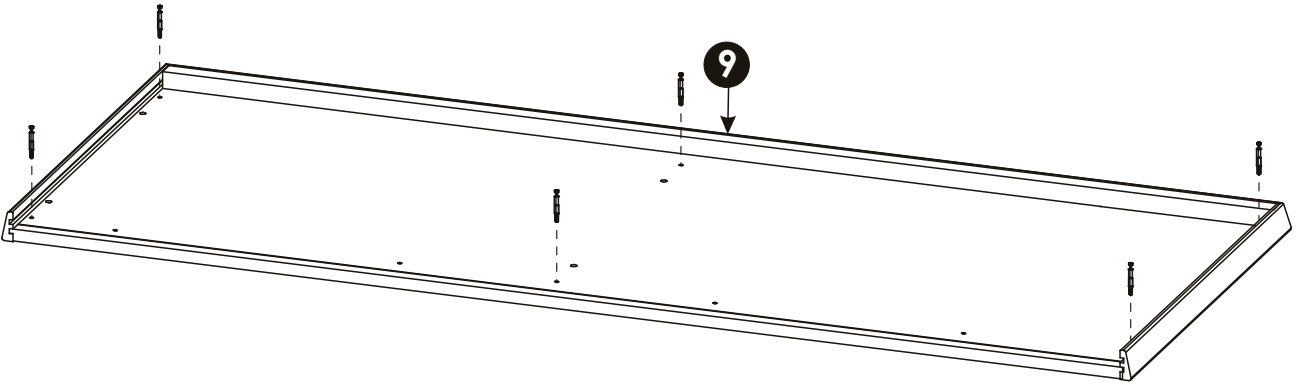


<p>C2 x6</p> 	<p>Q4 x4</p> 	<p>U2 x13</p> 
--	--	---



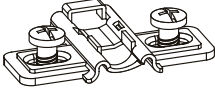


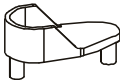
2▶

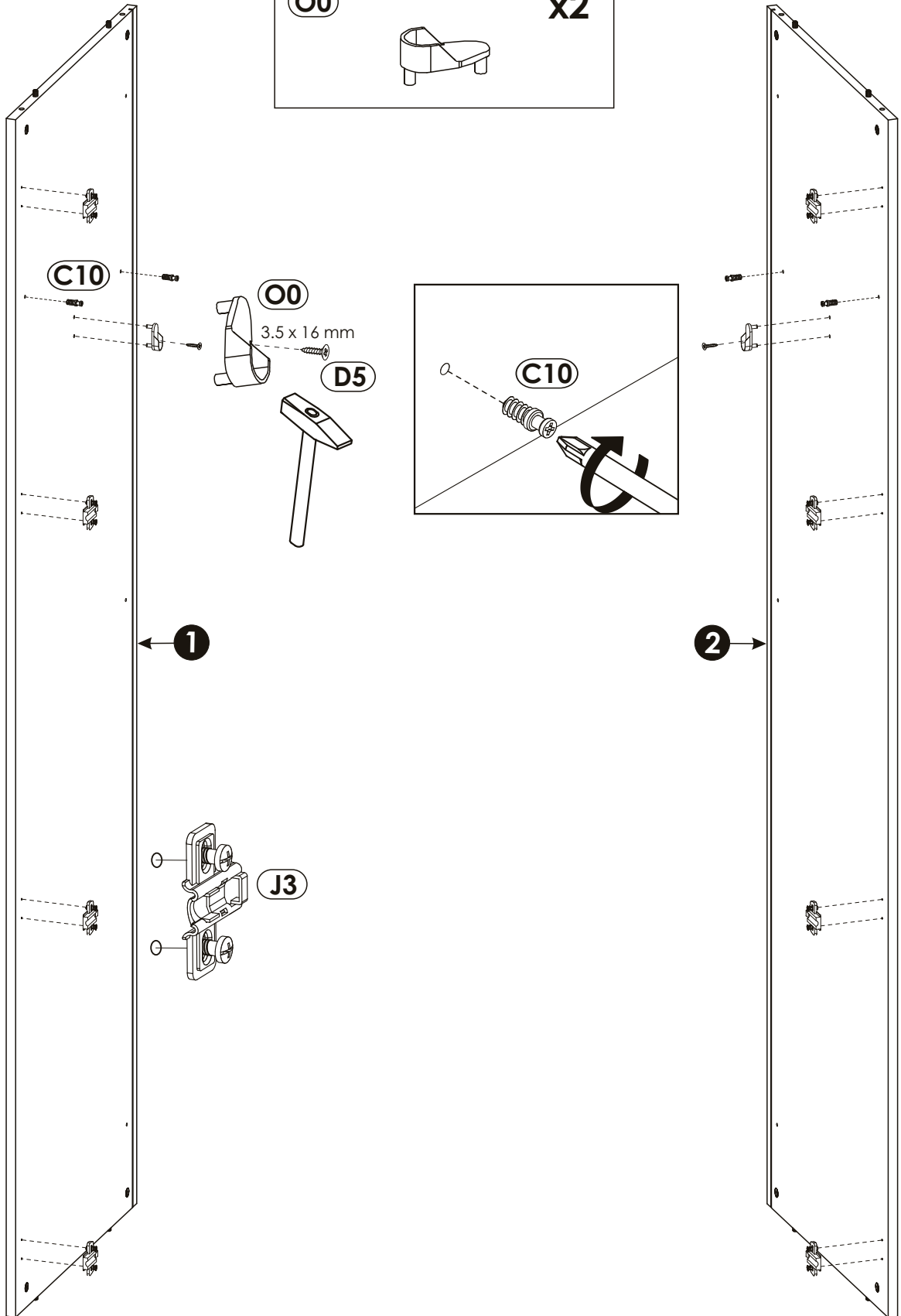
C2 	x6	D21 5 x 13 mm 	x2	P0 	x2
--	-----------	--	-----------	--	-----------





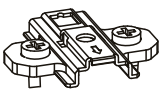
3 ▶

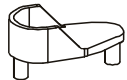
C10 6.3 x 20 mm 	x4	D5 3.5 x 16 mm 	x2	J3 	x8
--	-----------	---	-----------	--	-----------

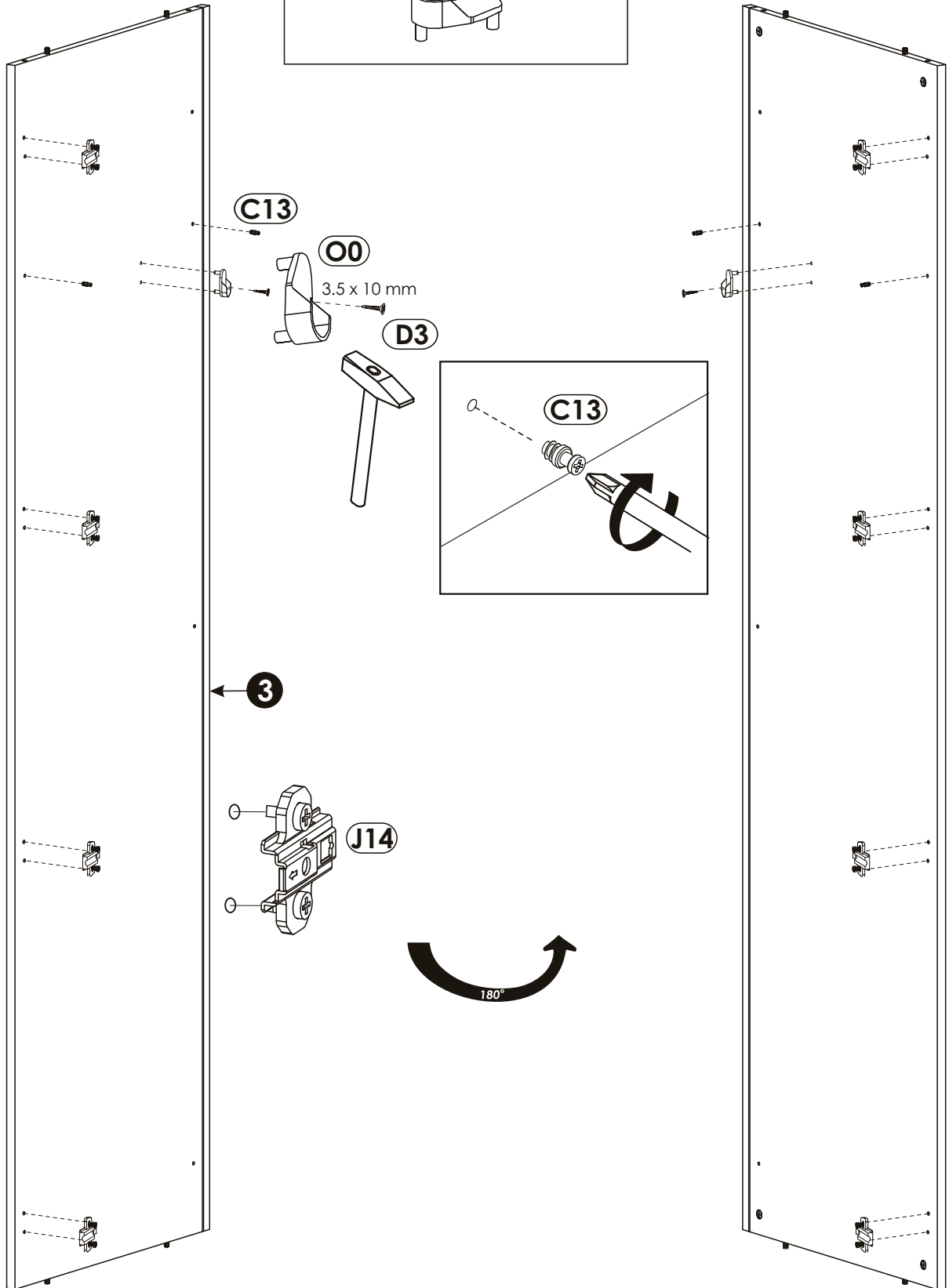
O0 	x2
--	-----------



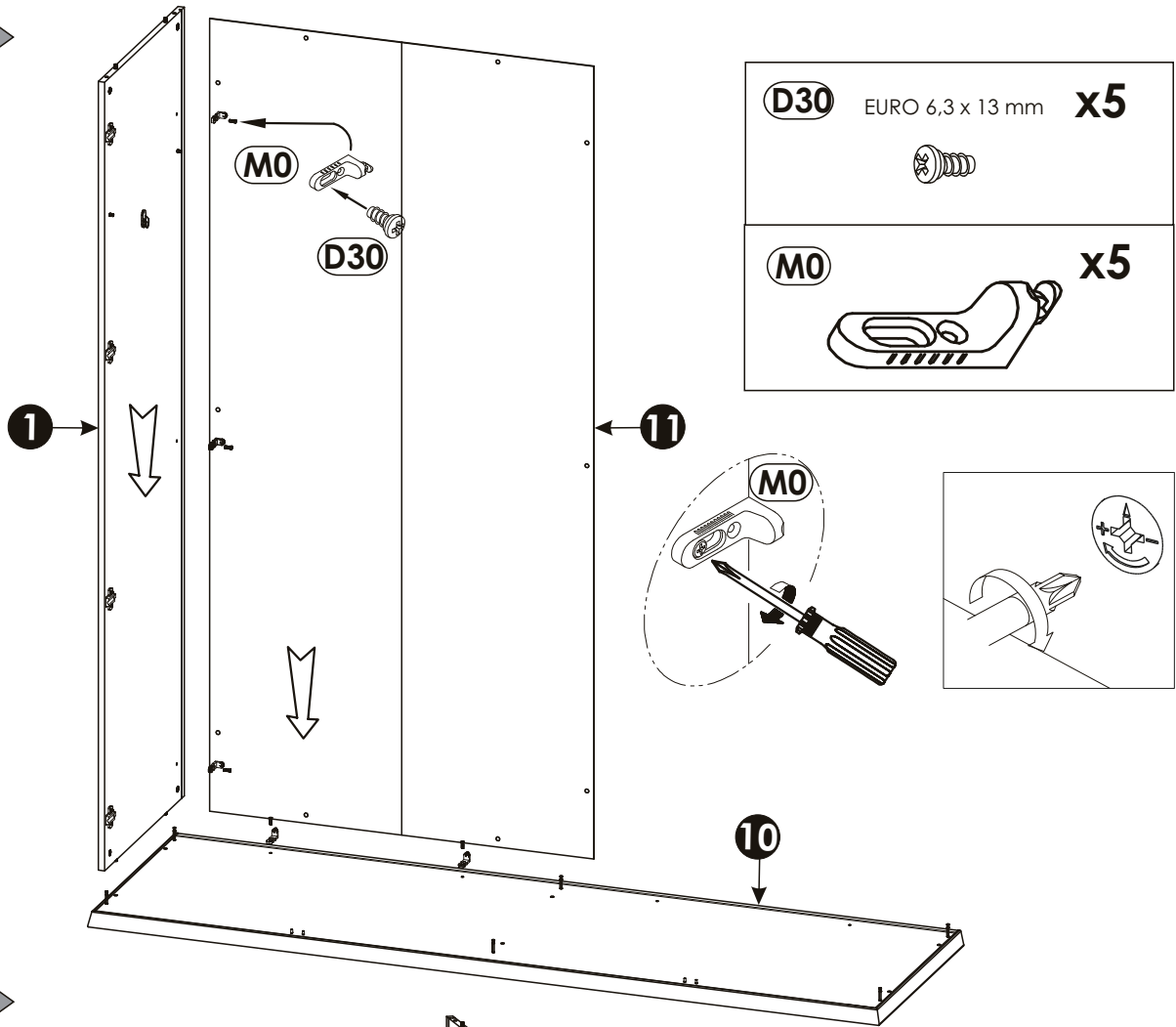
4 ▶

C13 6.3 x 16 mm 	x4	D3 3.5 x 10 mm 	x2	J14 	x8
--	-----------	---	-----------	---	-----------

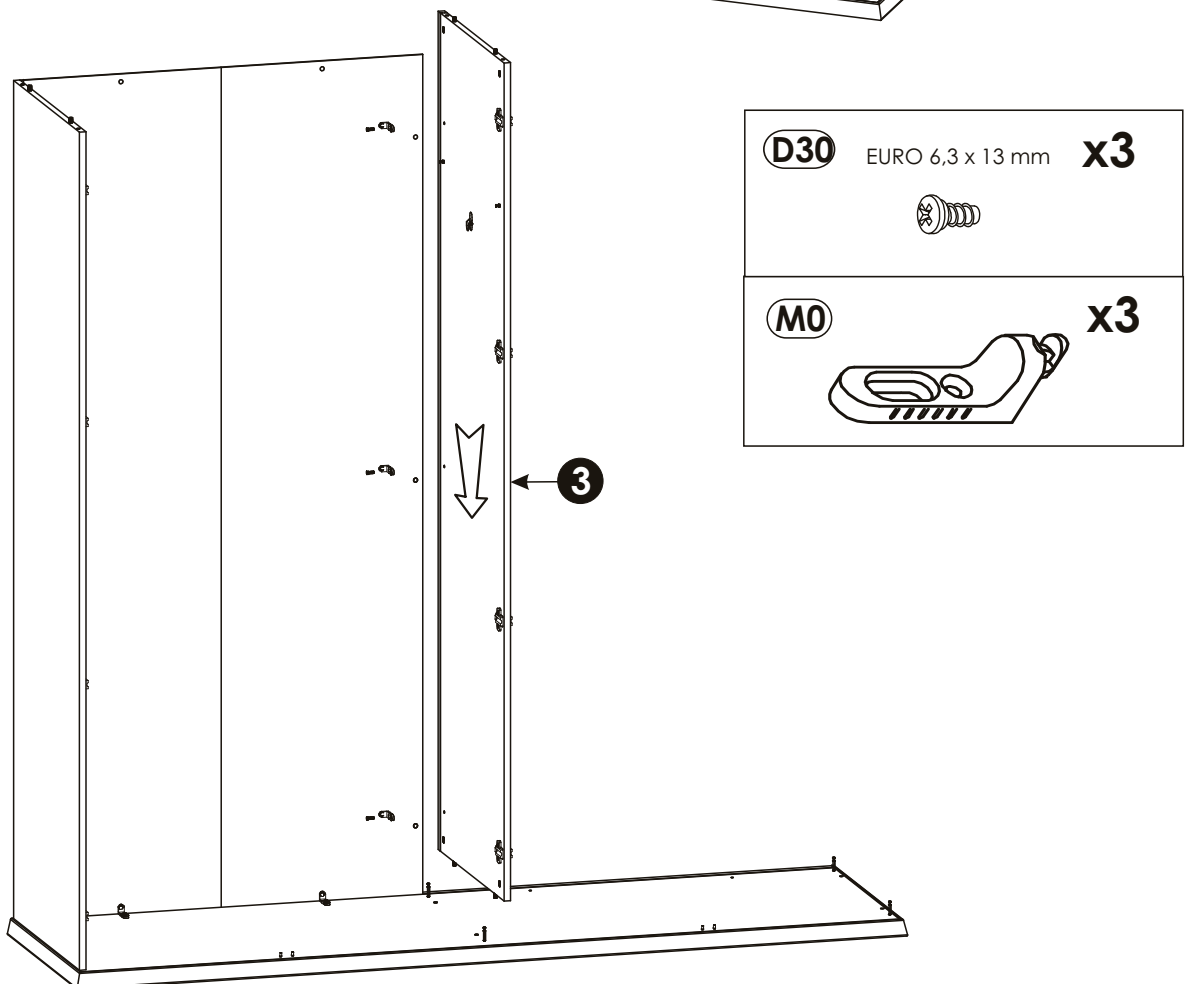
O0 	x2
--	-----------



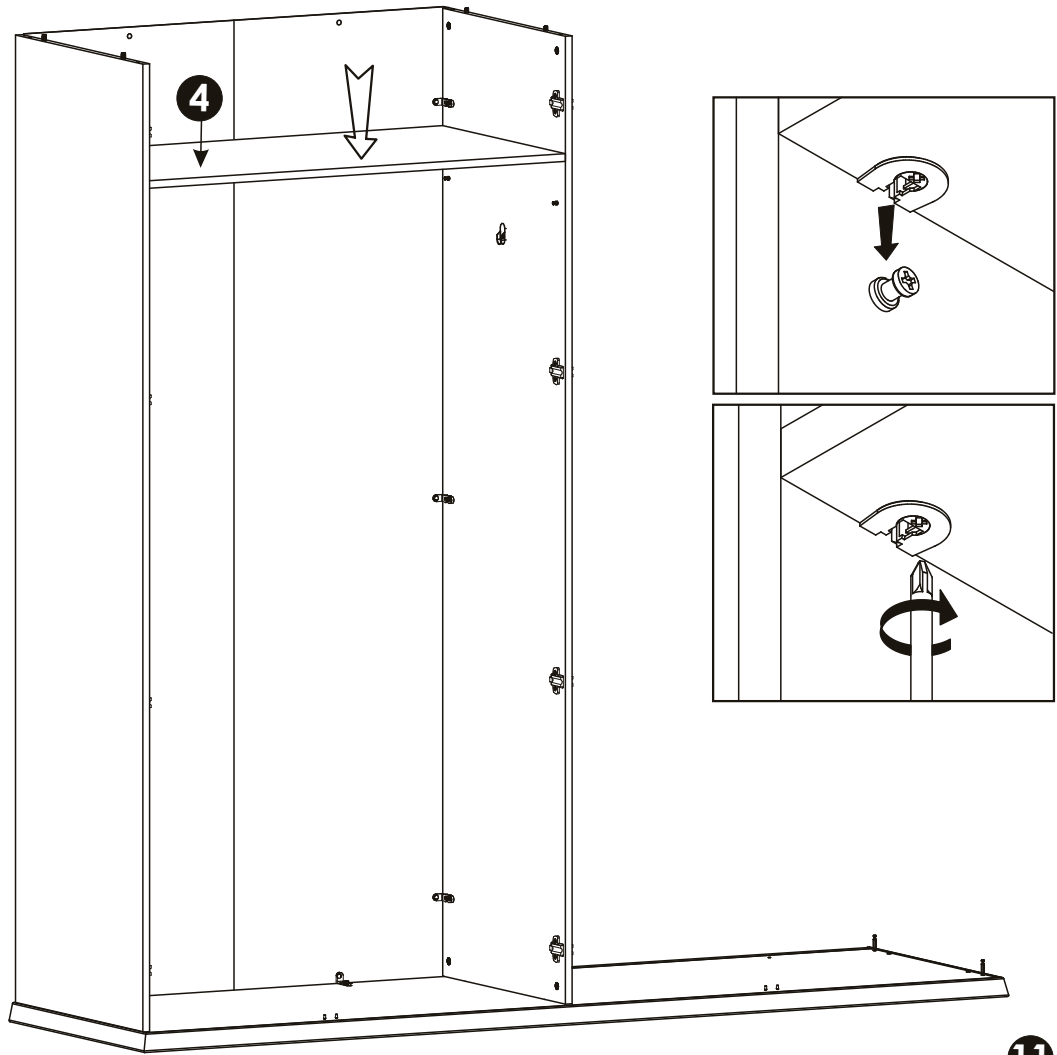
5 ▶



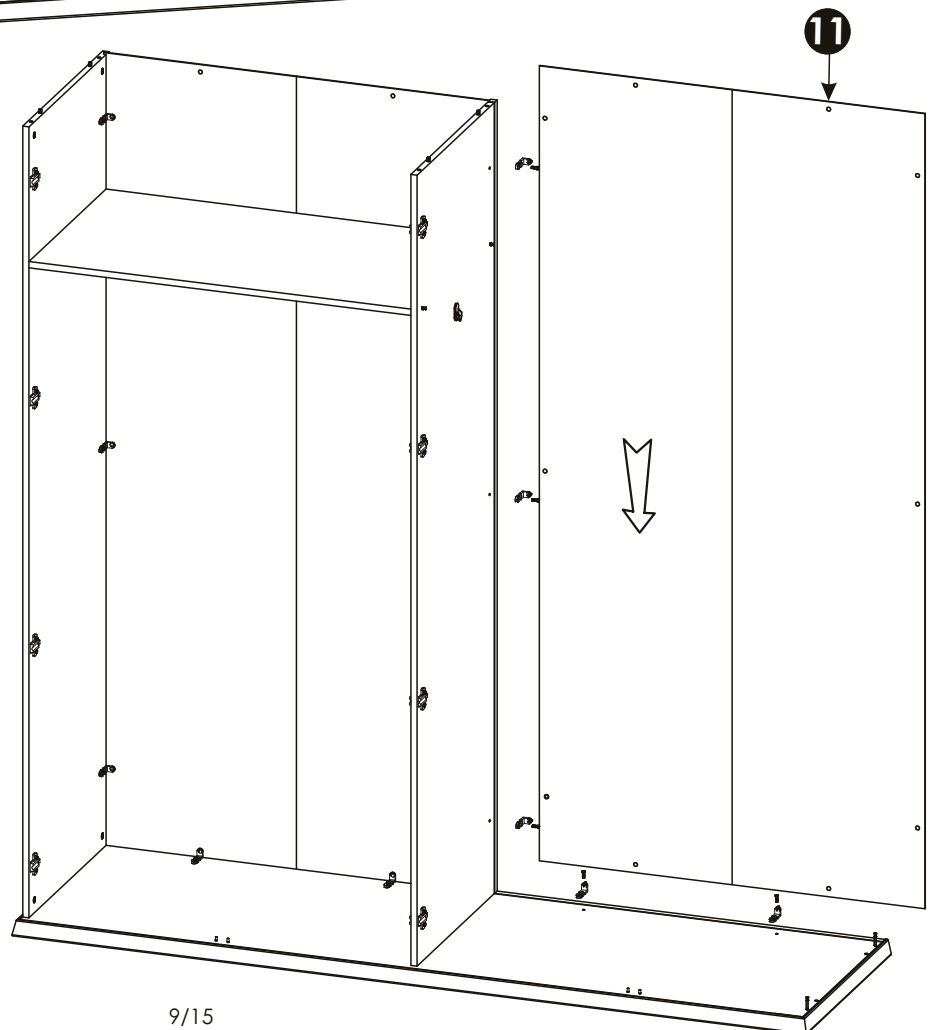
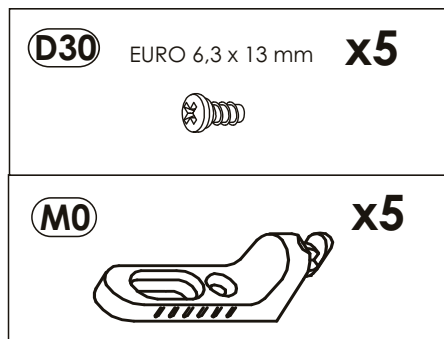
6 ▶



7 ▶




8 ▶

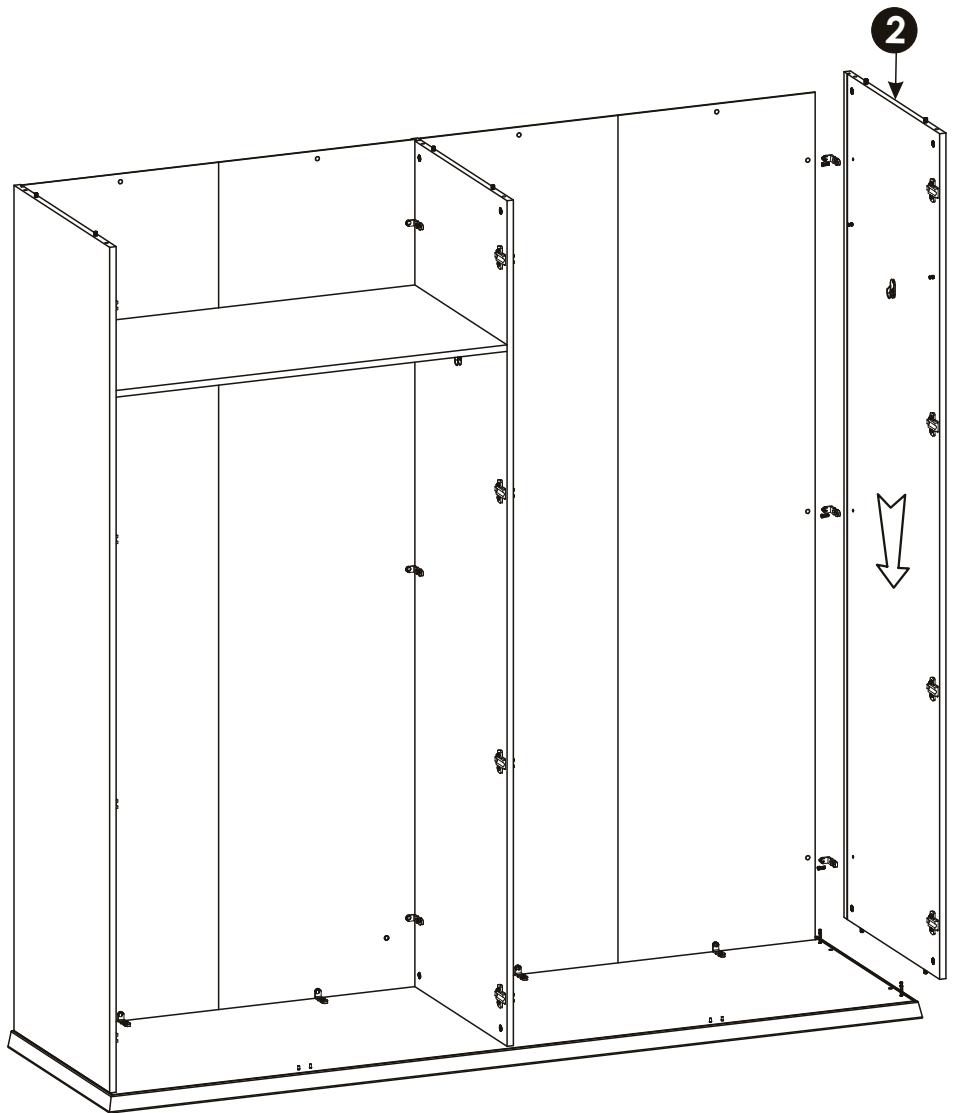
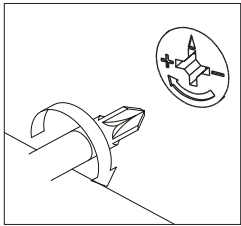



9 ▶

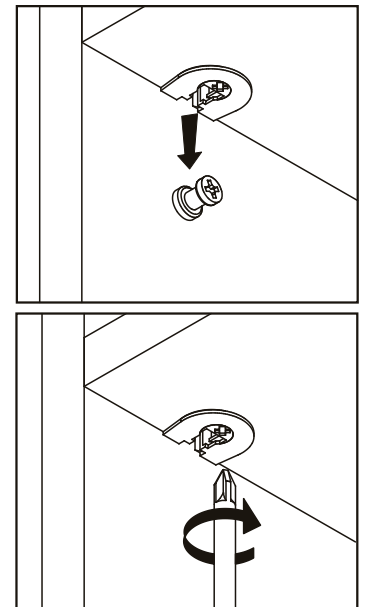
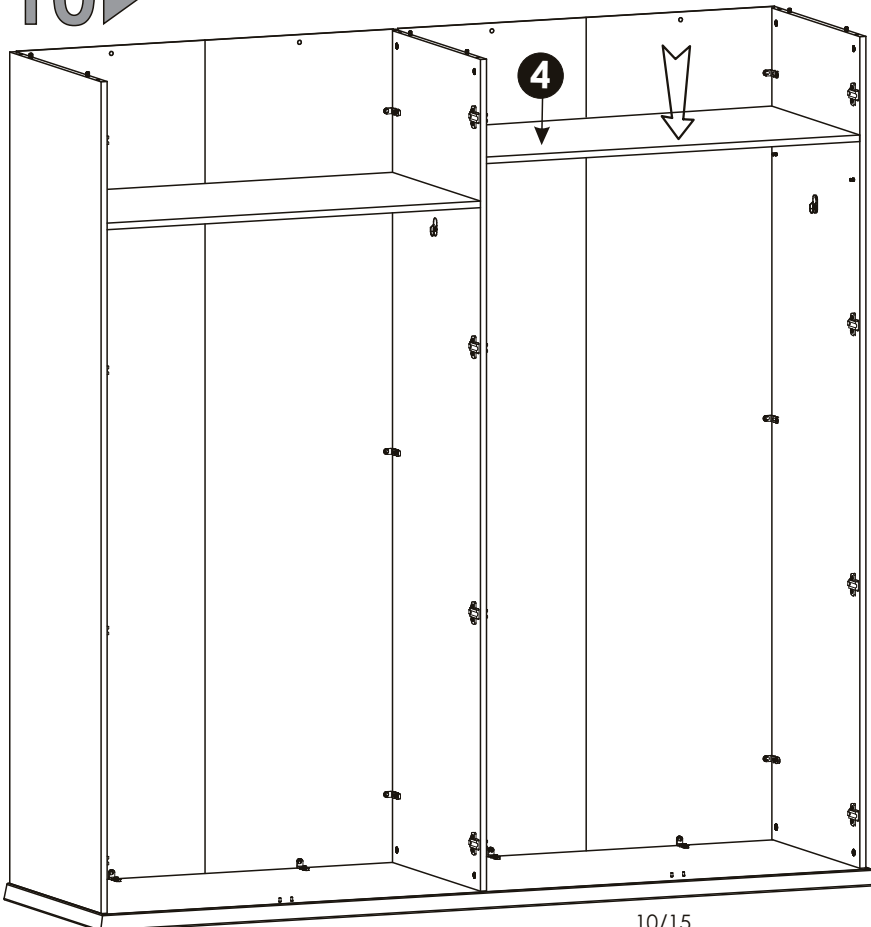
D30 EURO 6,3 x 13 mm **x3**





M0 **x3**

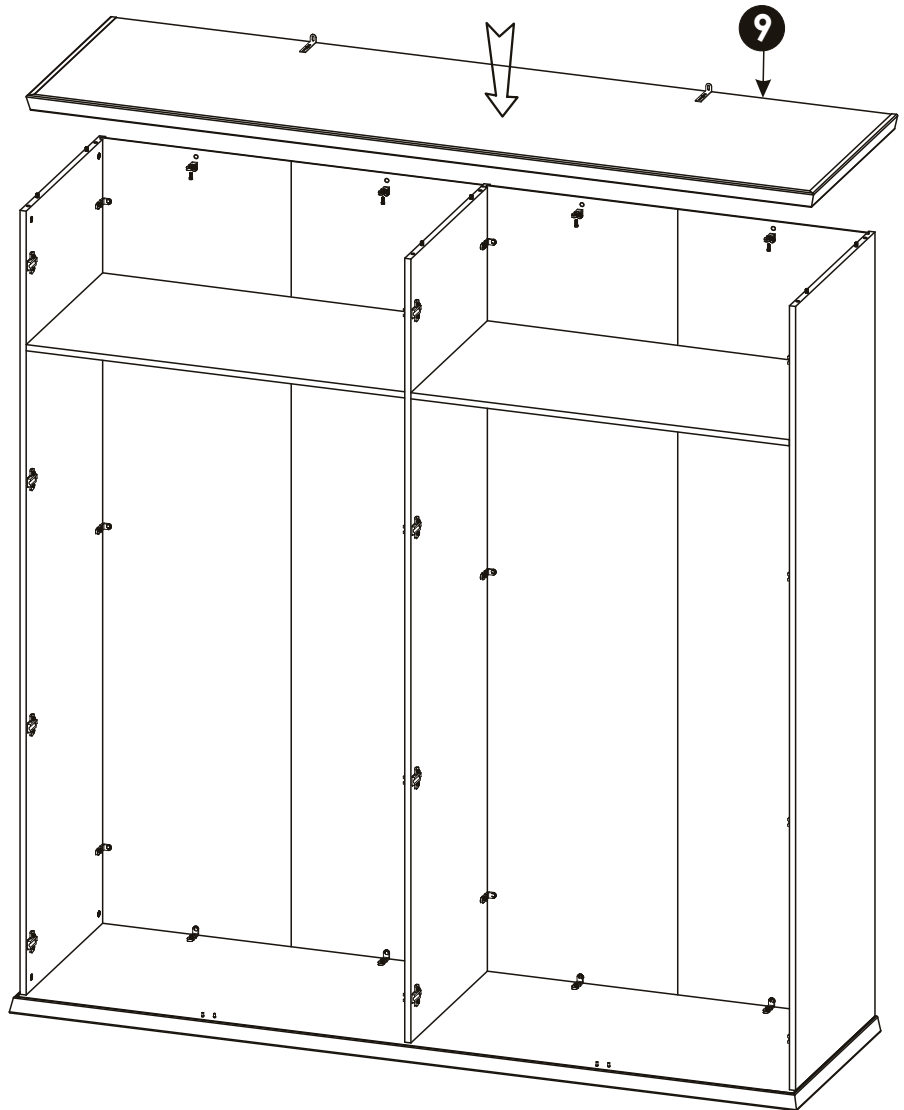
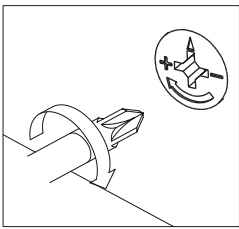
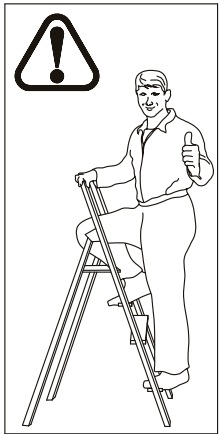


10 ▶

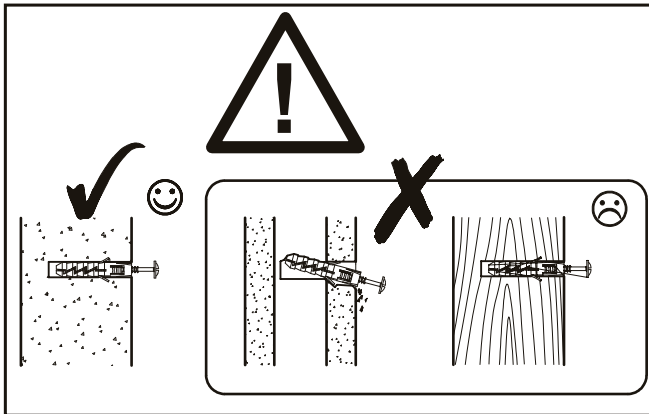


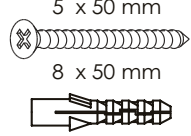

11 ▶

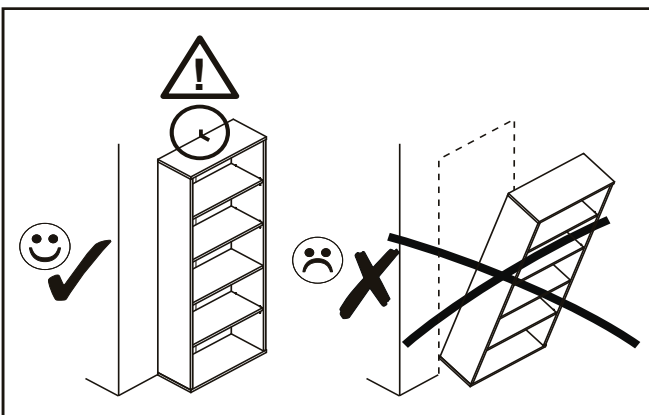
D30	EURO 6,3 x 13 mm	x4
		
M0		x4
		

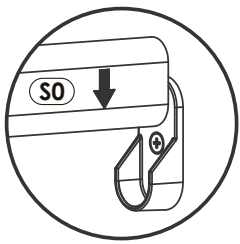
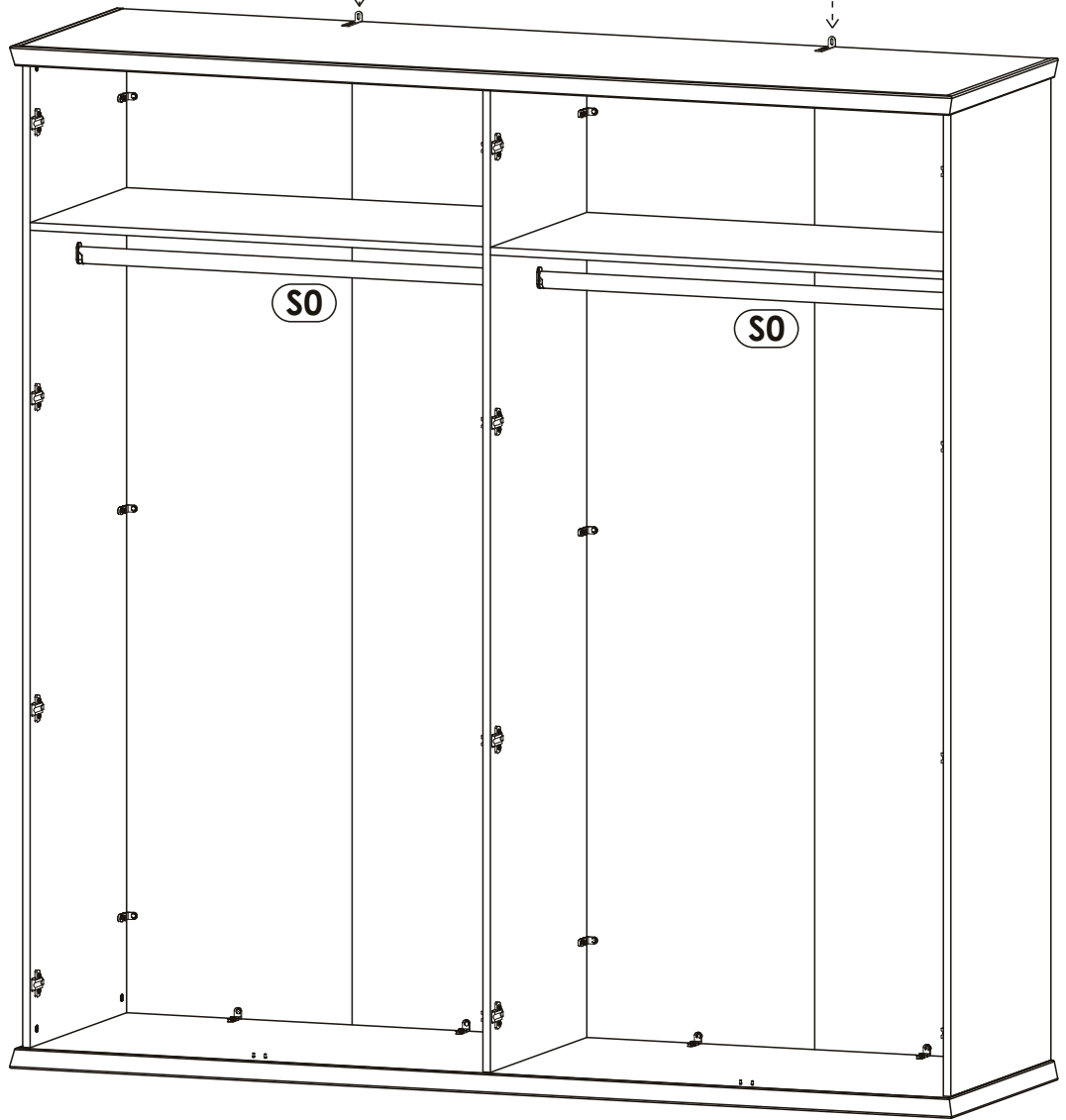
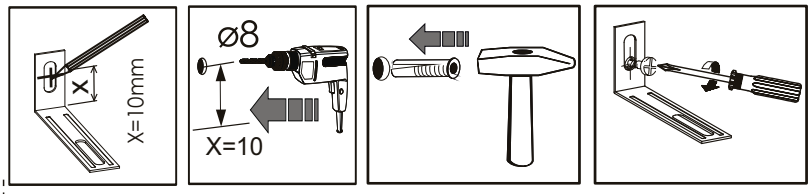


12 ▶

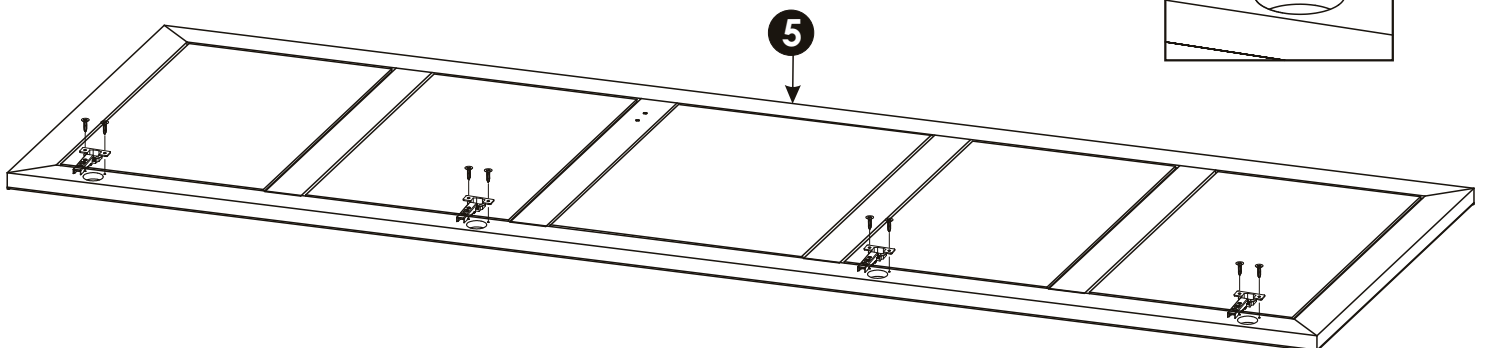
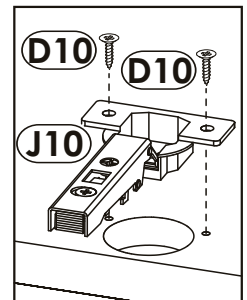
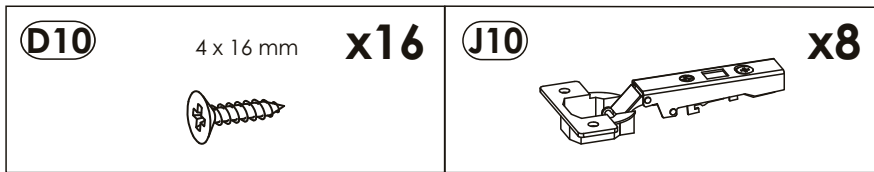


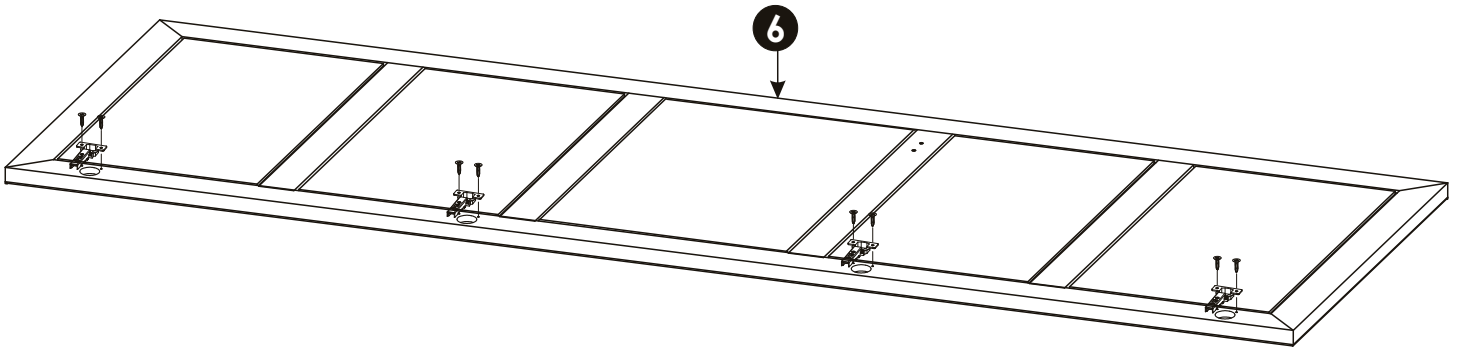
E0	5 x 50 mm 8 x 50 mm	x2
		
S0	L-972	x2
		



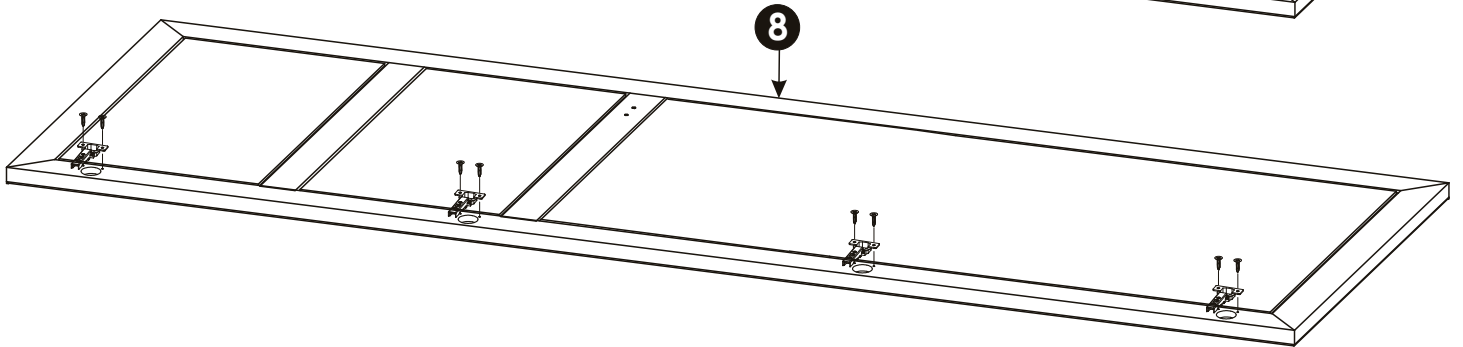
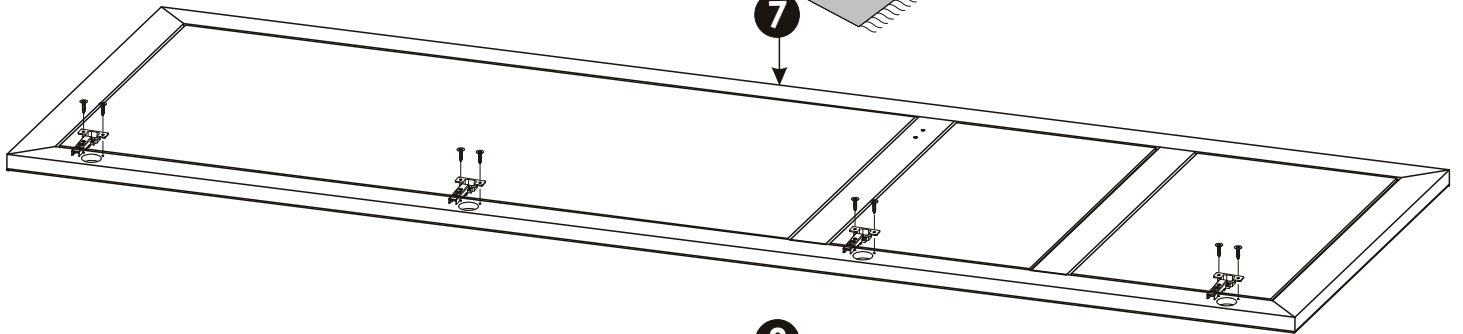
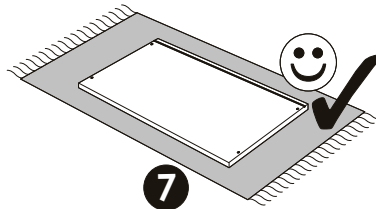
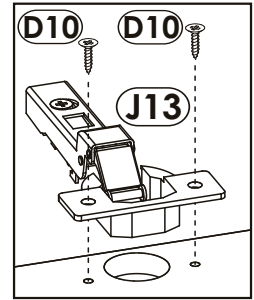
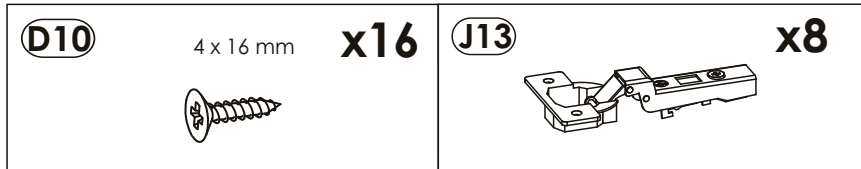


13 ▶

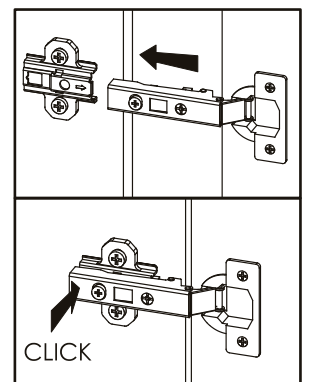
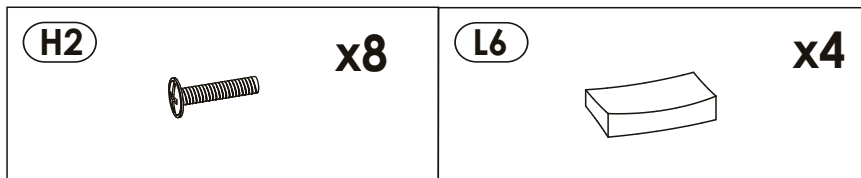


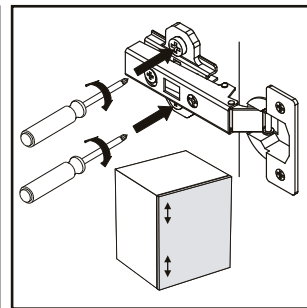
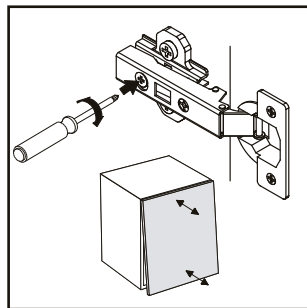
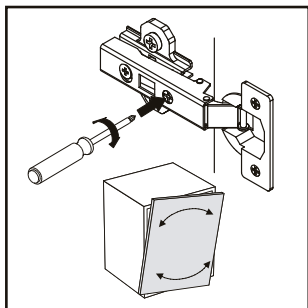
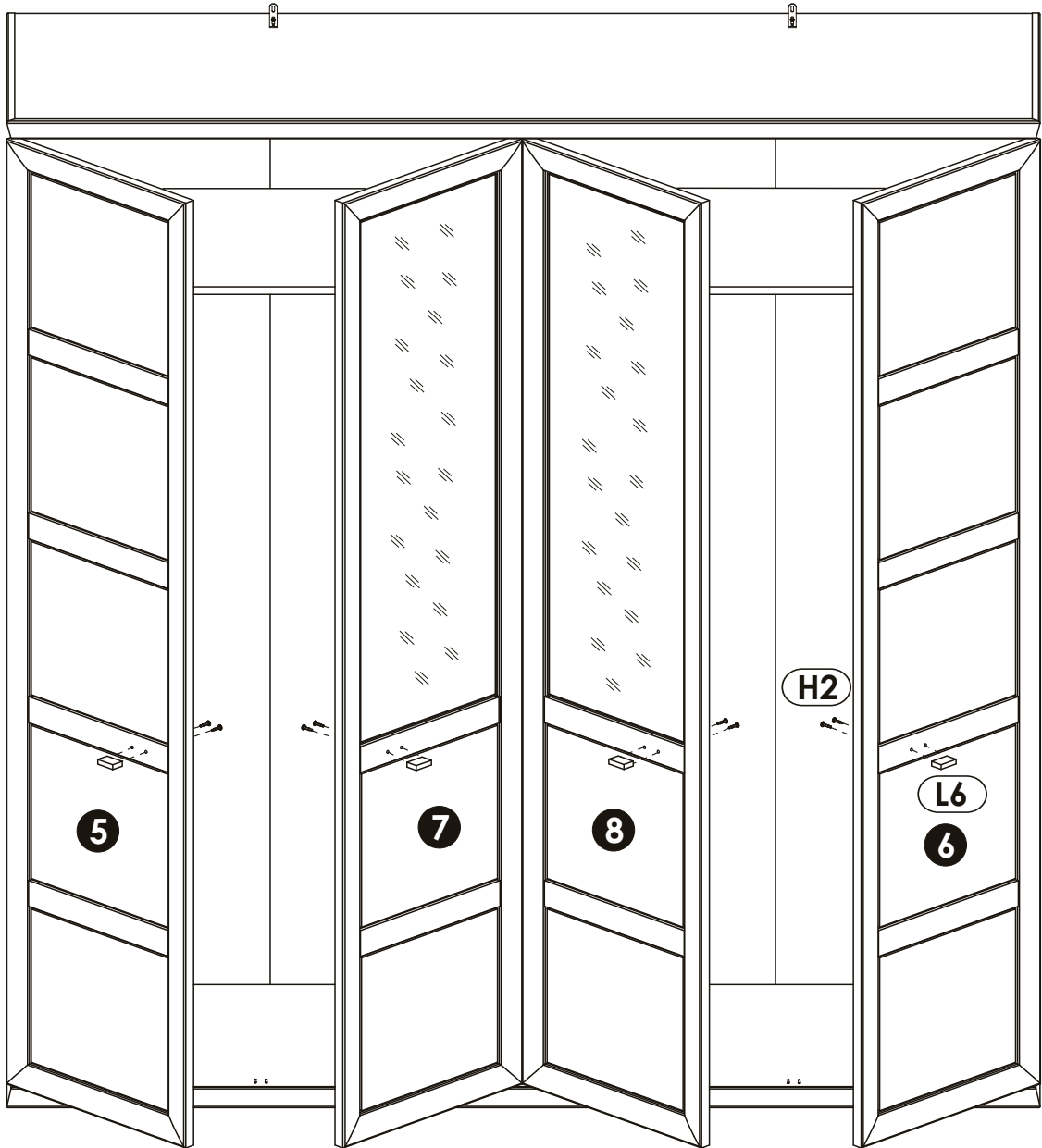


14▶



15▶





16 ▶

