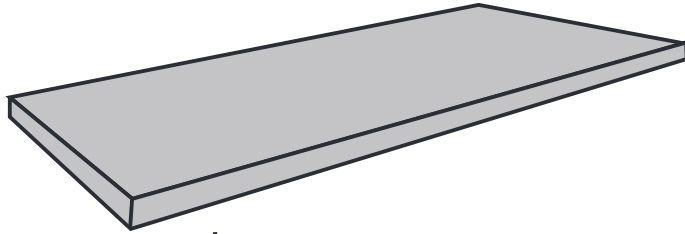
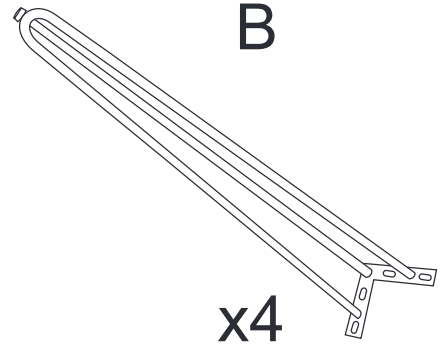


A

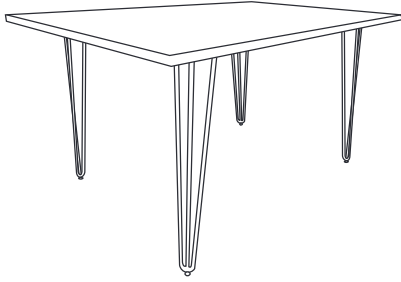


x1

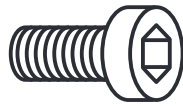
B



x4



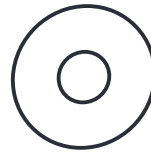
C



20MM NUT

x16

D



15MM WASHER

x16

E



x1

