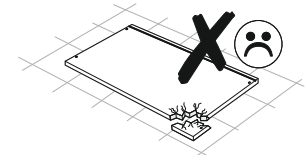
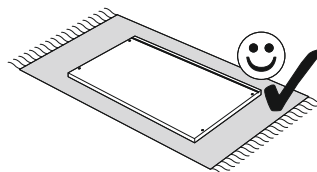
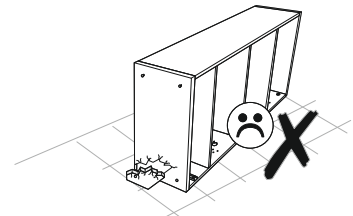
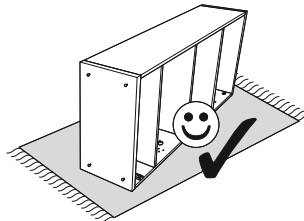
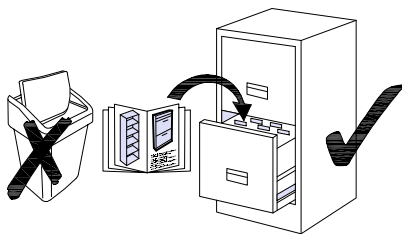
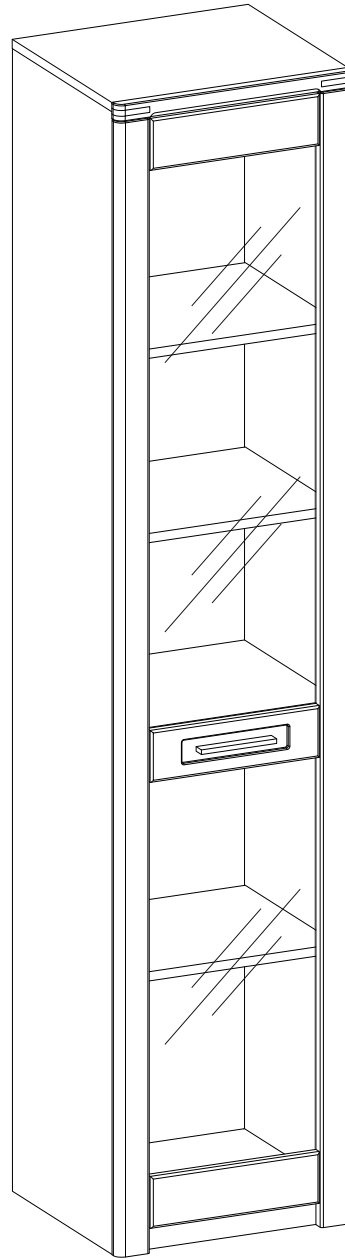
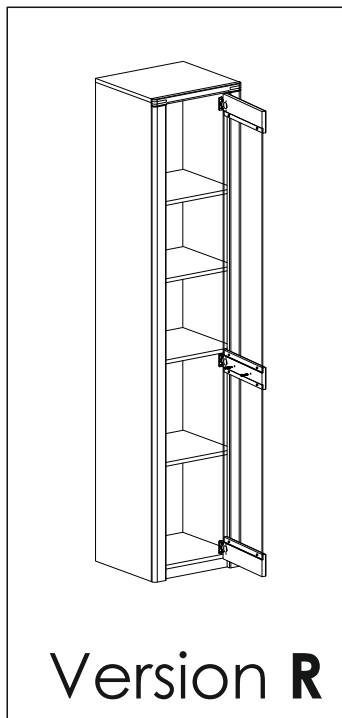
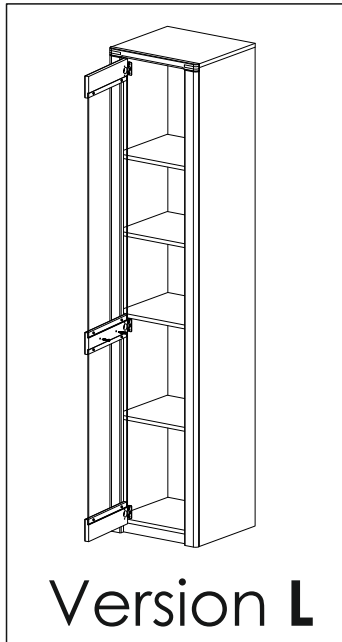
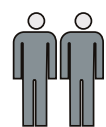
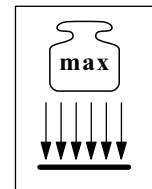
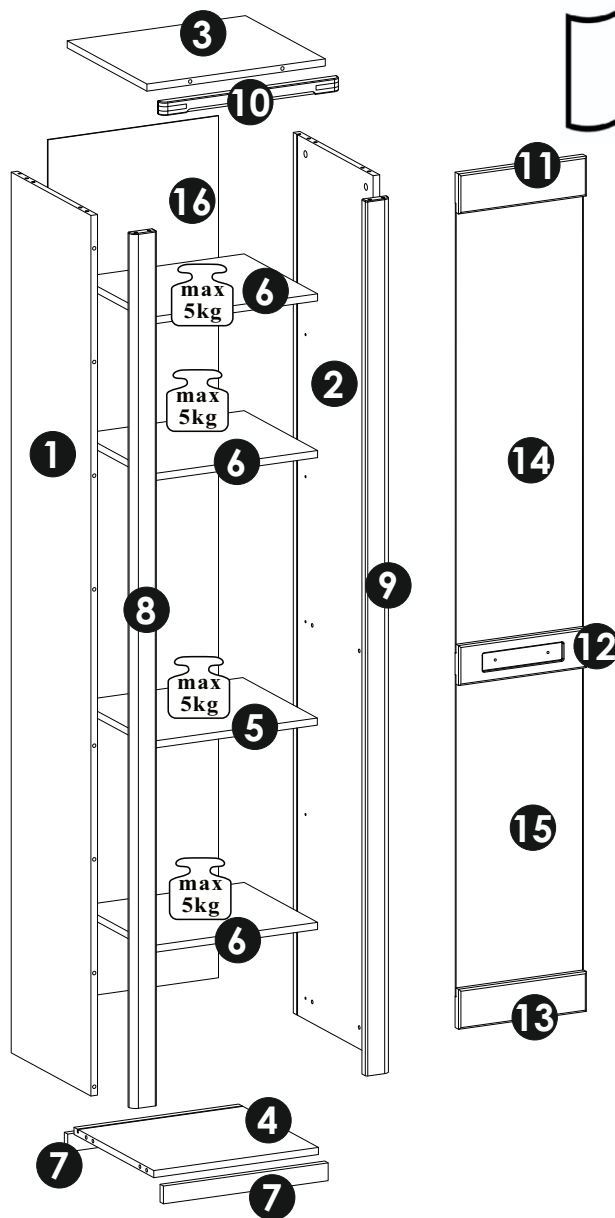


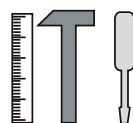
# Nature One 12 18 FF 04



# Nature One 12 18 FF 04



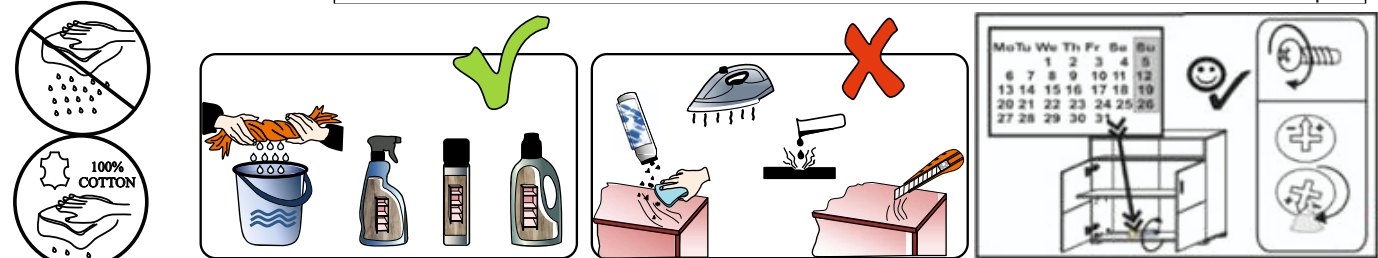
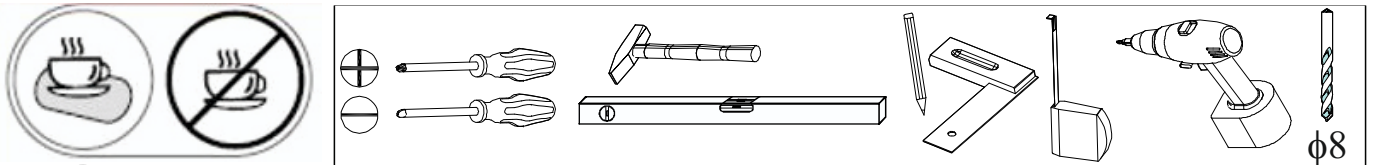
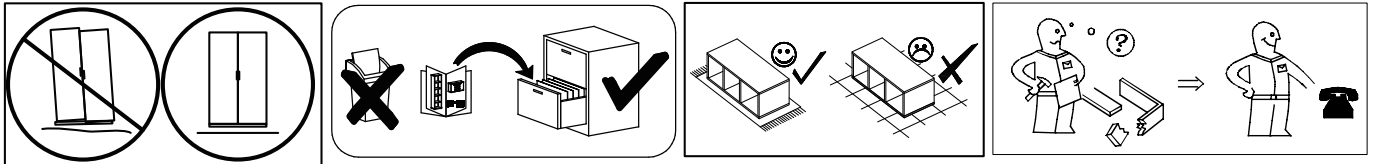
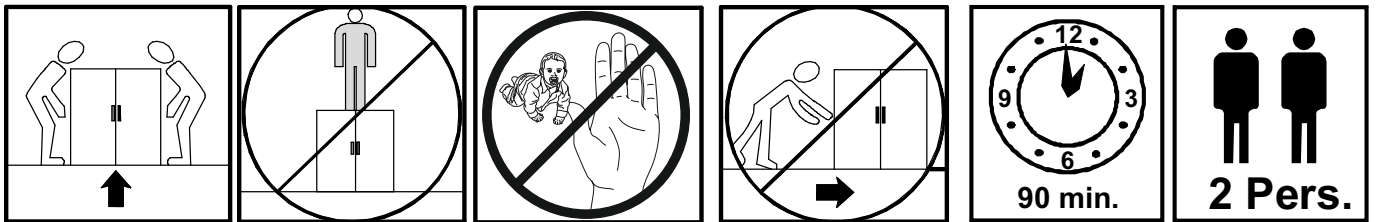
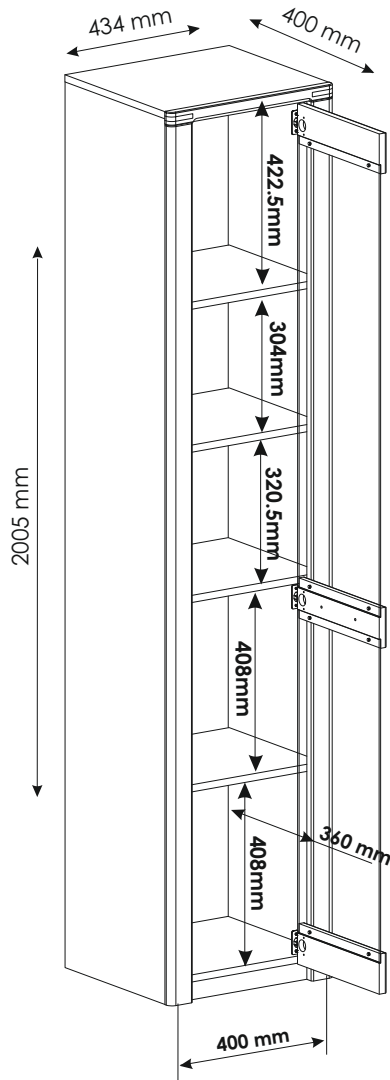
90 min

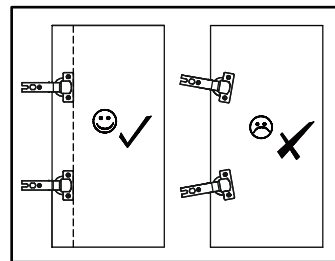
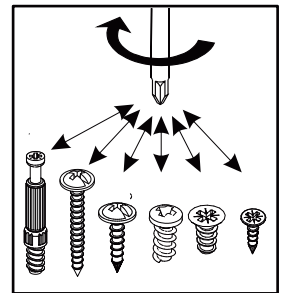
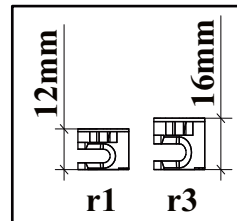
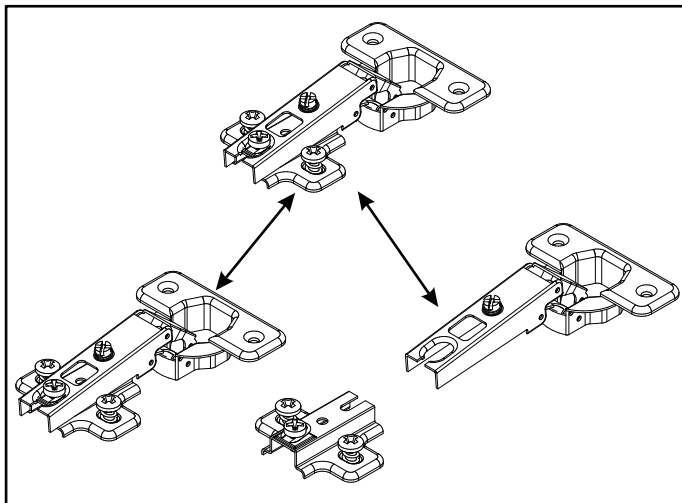
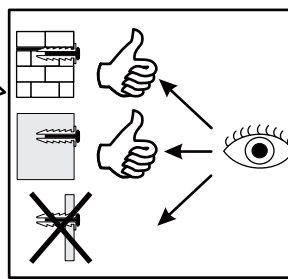
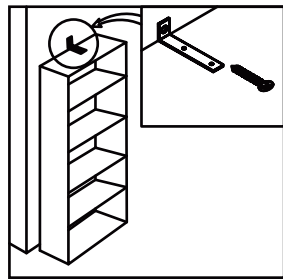
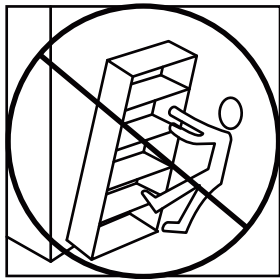
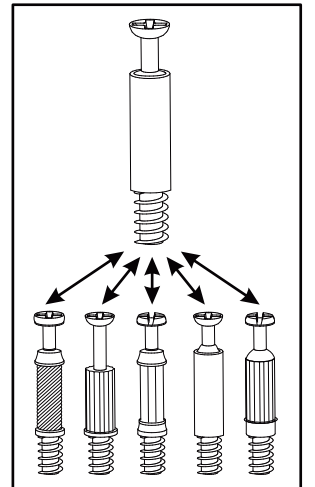
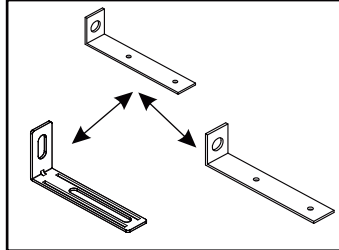
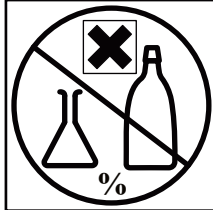
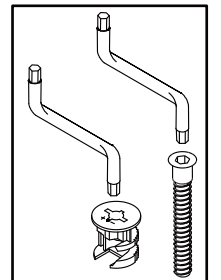
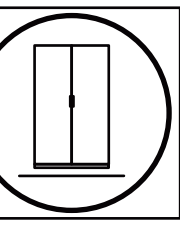
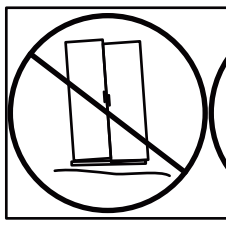
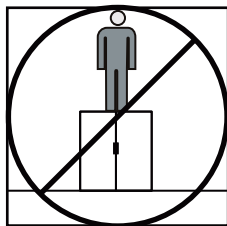
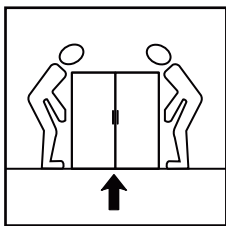
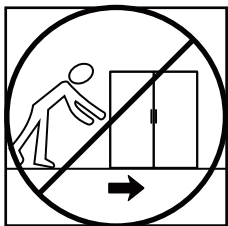
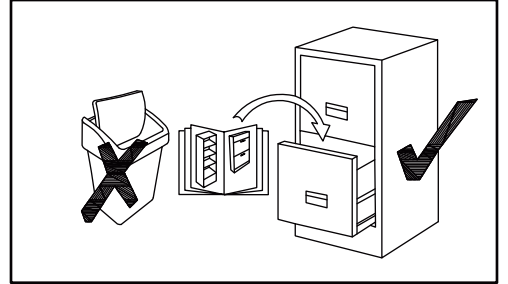
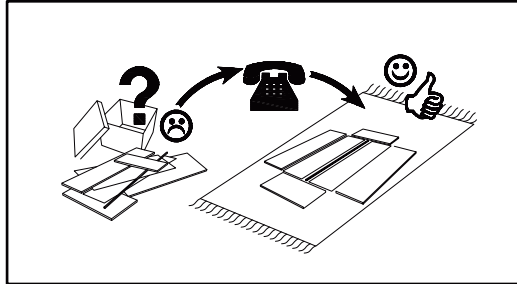
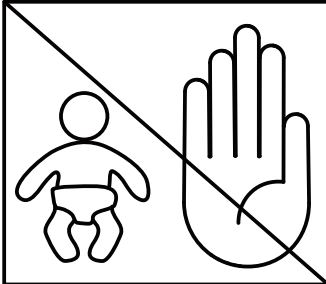
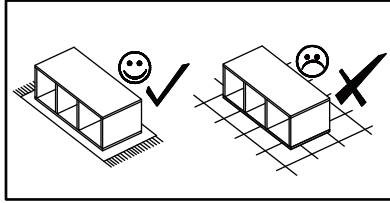
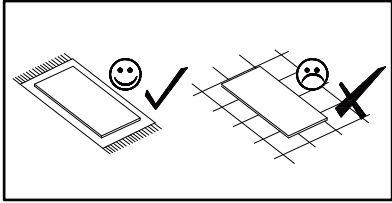
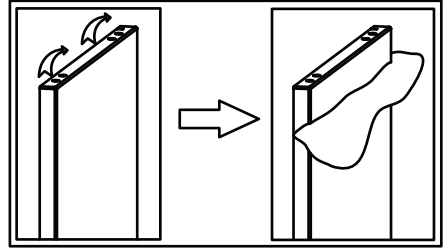


NO	Dim.(mm)			Col.-No	Qty
1	1983	380	16	1/2	1
2	1983	380	16	1/2	1
3	433	380	16	2/2	1
4	400	380	16	2/2	1
5	400	355	16	2/2	1
6	398	350	16	2/2	3
7	400	40	16	2/2	2
8	1970	60	16	1/2	1
9	1970	60	16	1/2	2
10	435	30	20	2/2	1
11	310	90	20	2/2	1
12	310	90	20	2/2	1
13	310	90	20	2/2	1

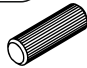
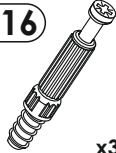




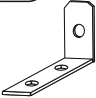
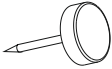
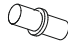
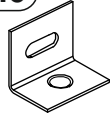
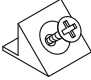




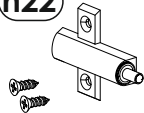
NO	Dim.(mm)			Col.-No	Qty
14	309	1012	4	1/2	1
15	309	724	4	1/2	1
16	1941	414	3	1/2	1
A				2/2	1

# Nature One 12 18 FF 04

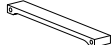







**A1**

<b>f1</b>  φ8x30 mm x16	<b>r16</b>  x30	<b>o21</b>  x2	<b>r1</b>  x30	<b>s2</b>  x30	<b>t17</b>  φ8x50 mm x1	<b>n14</b>  x1
<b>k1</b>  x4	<b>d1</b>  φ5x17 mm x12	<b>n6</b>  x4	<b>l2</b>  x12	<b>o27</b>  x8	<b>p4</b>  φ3.5x16 mm x11	<b>j2</b>  M4x20 mm x2
<b>p1</b>  φ3.5x13 mm x16	<b>n22</b>  x1					

**A2**

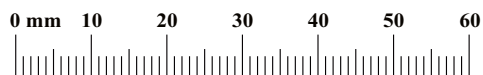
<b>c27</b>  128 mm x1					
--	--	--	--	--	--

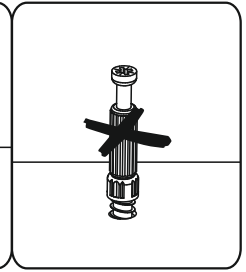
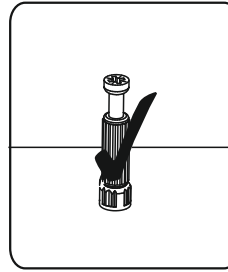
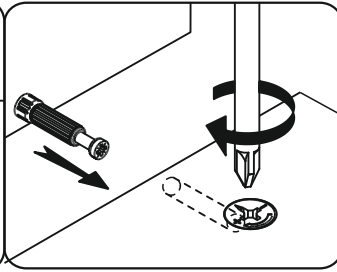
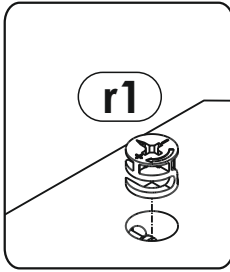
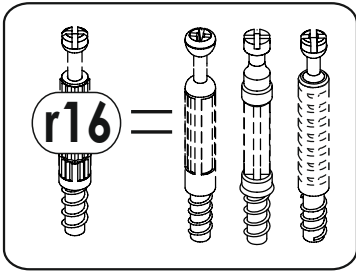
**A3**

<b>b8</b>  x3	<b>a8</b>  φ26 mm x3	<b>e2</b>  φ6.3x13 mm x6				
---	---	--	--	--	--	--

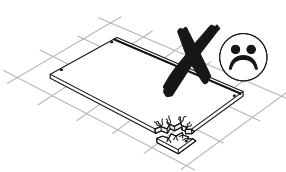
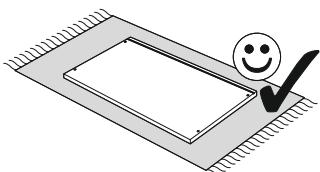
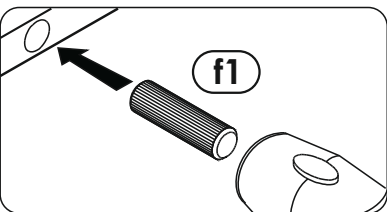
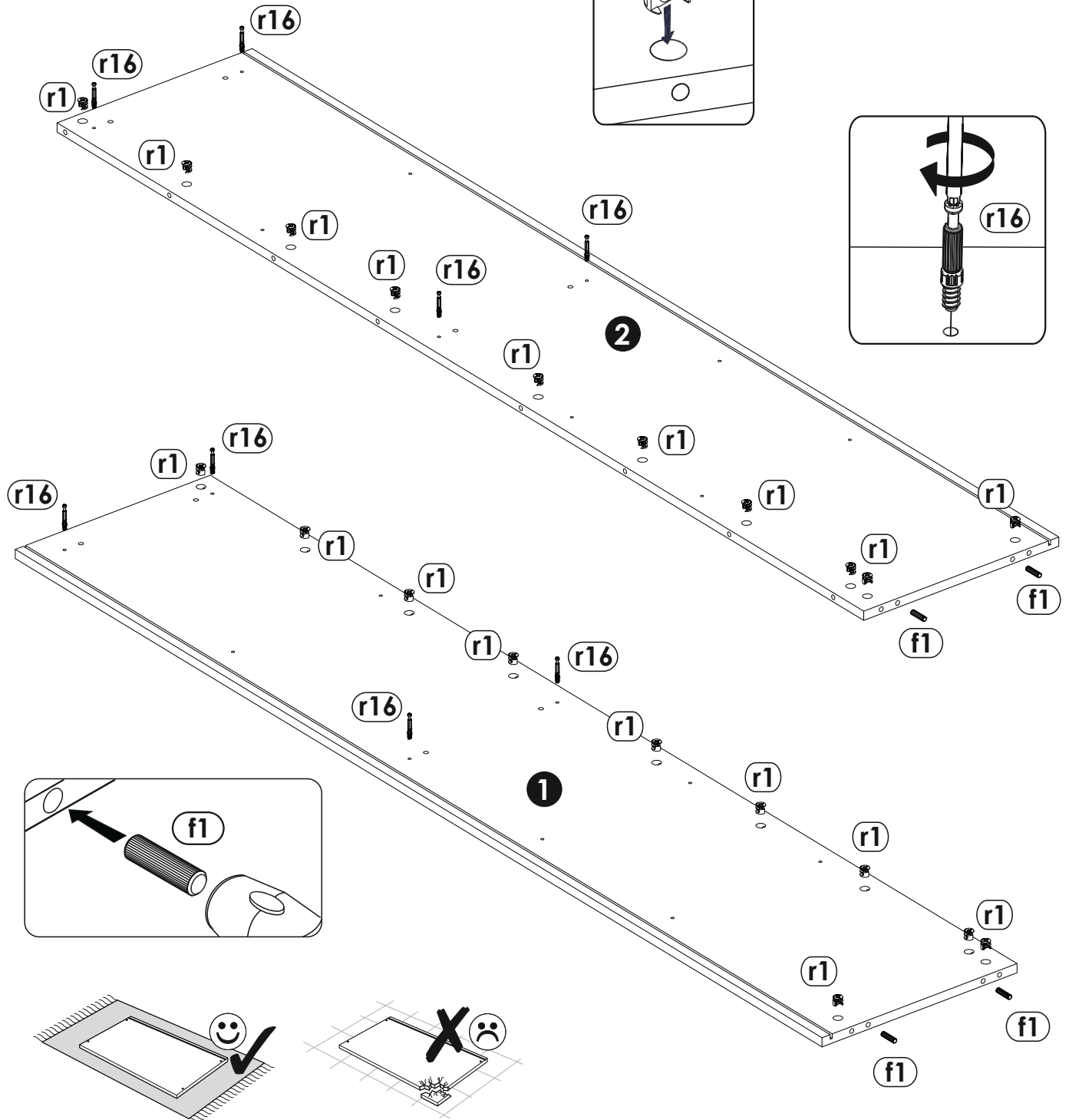
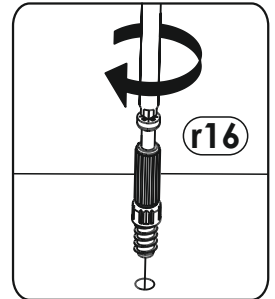
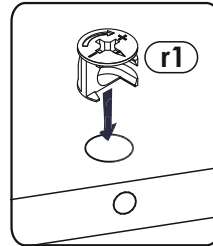
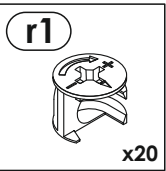
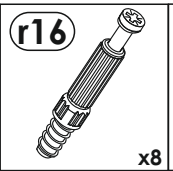
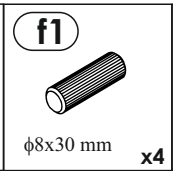
**A4**

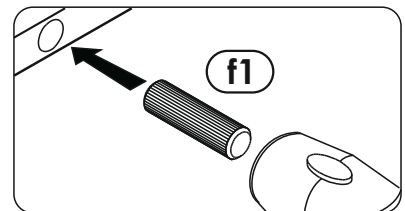
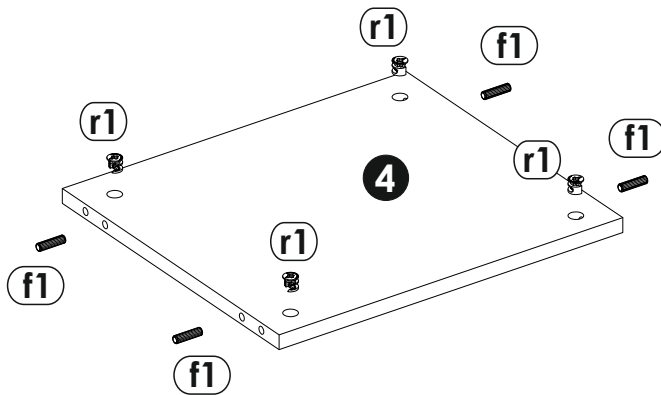
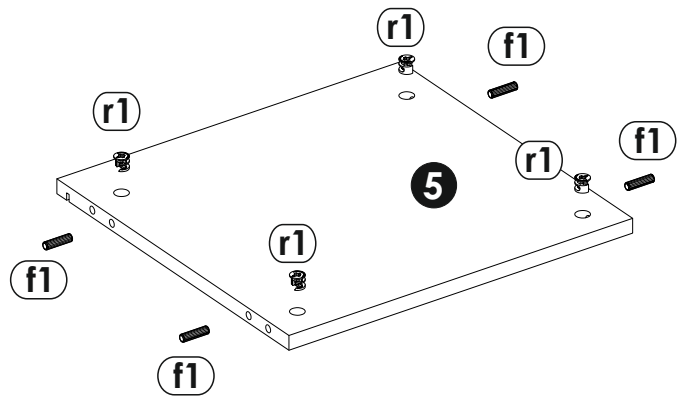
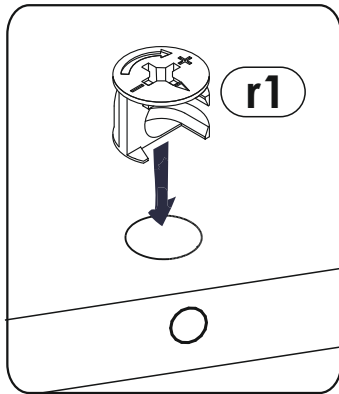
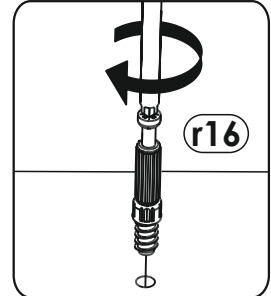
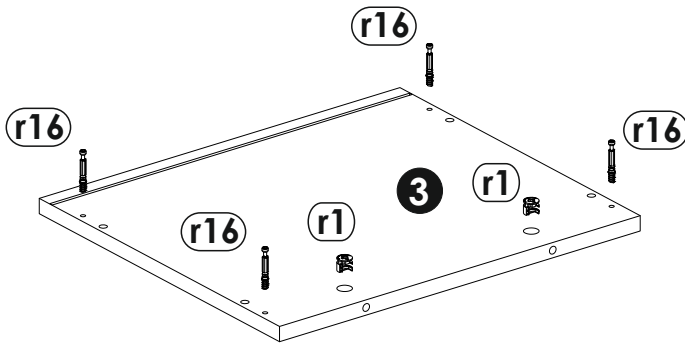
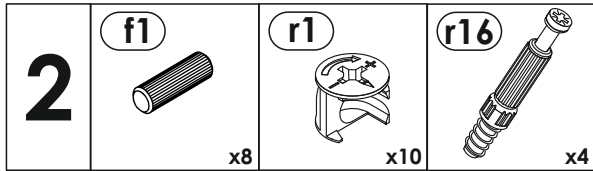
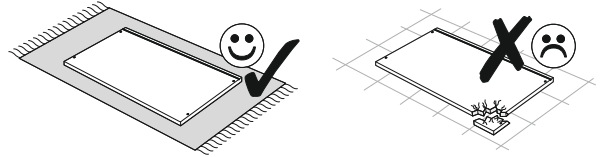
<b>Z3</b>  x3	<b>Y10</b>  x1					
--	---	--	--	--	--	--





**1**





3

e2



φ6.3x13 mm

x6

b8

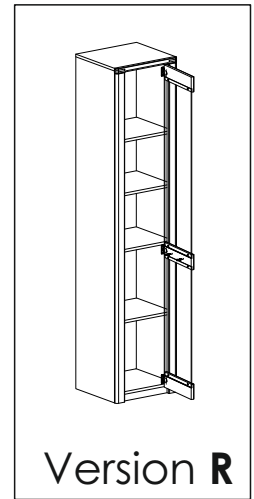
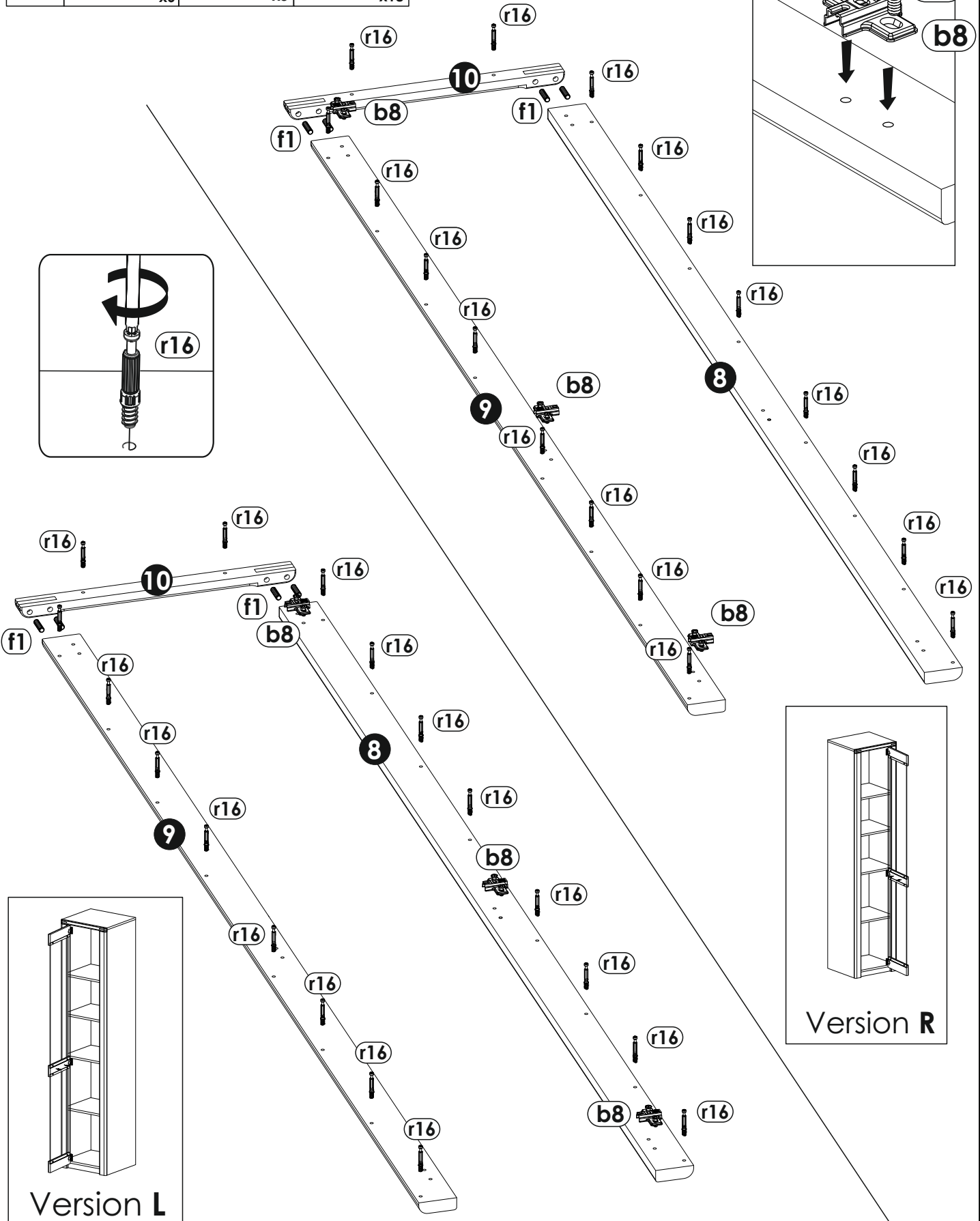
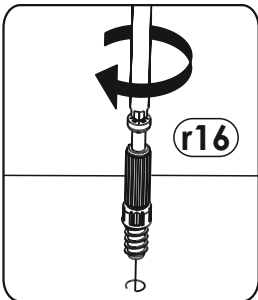
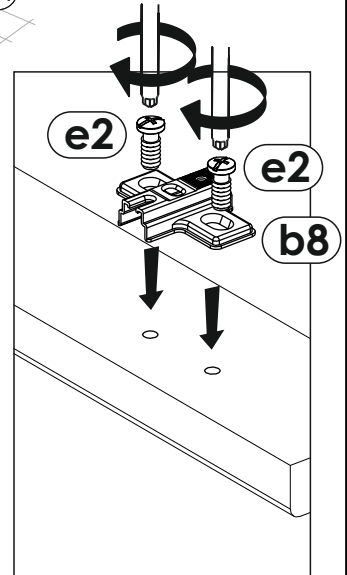
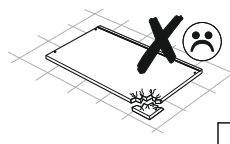
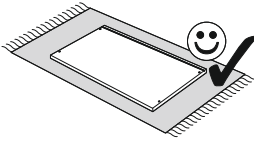


x3

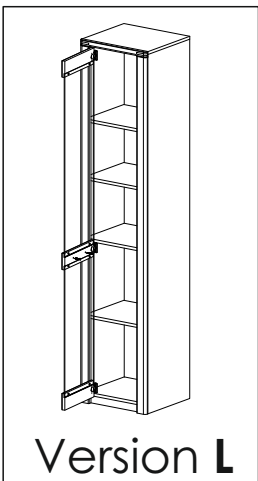
r16



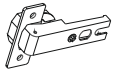



x18

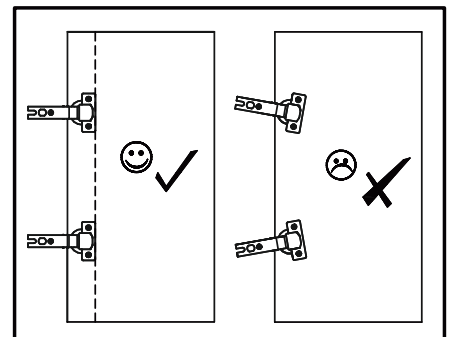
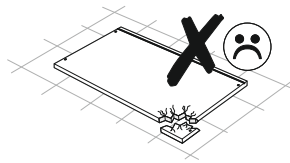
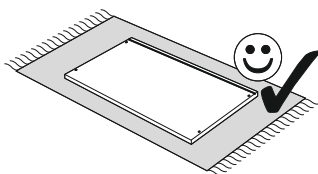
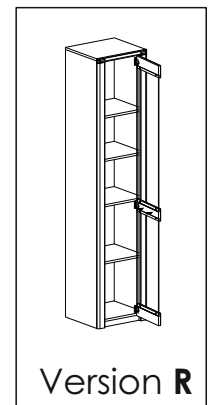
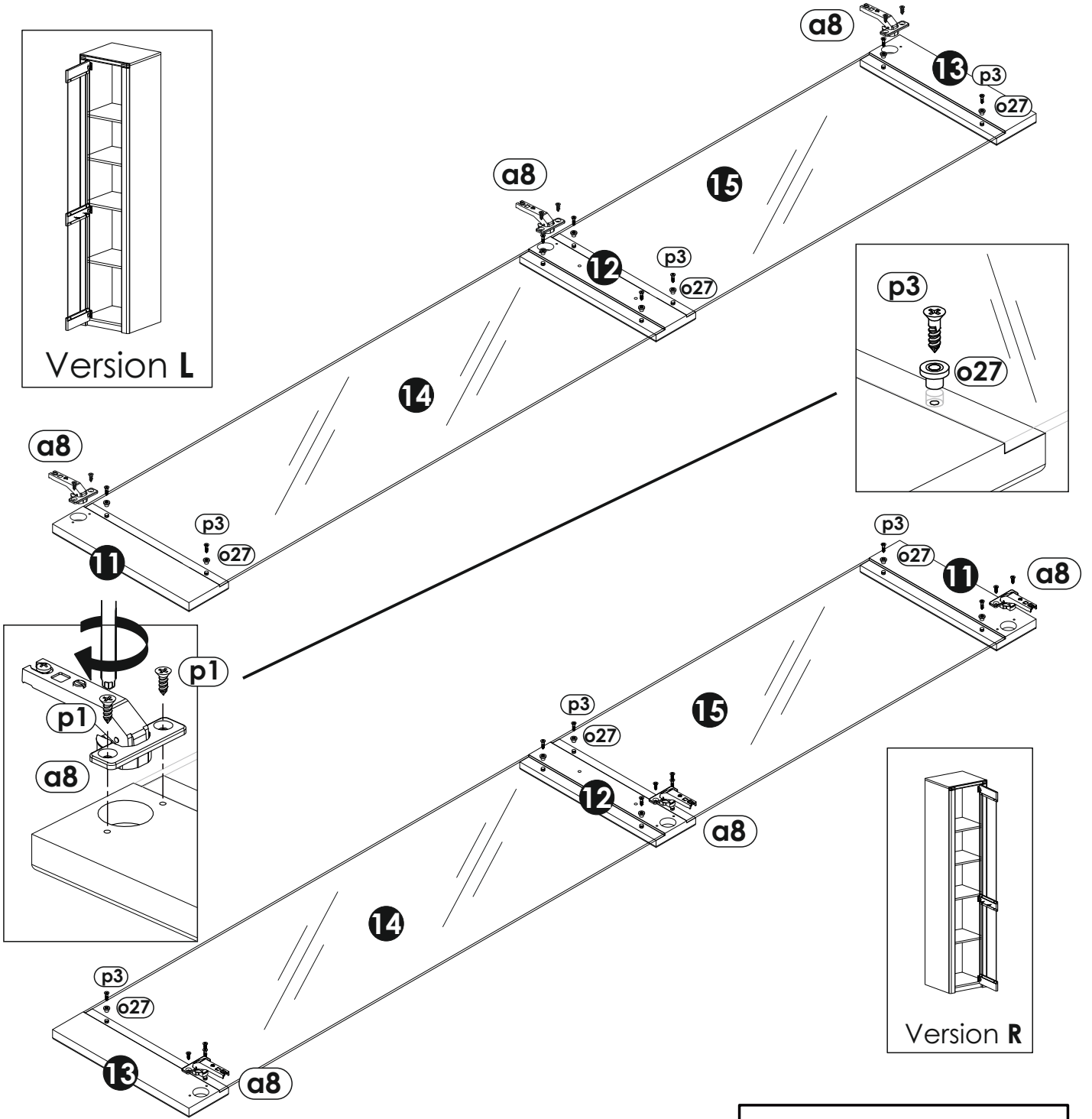
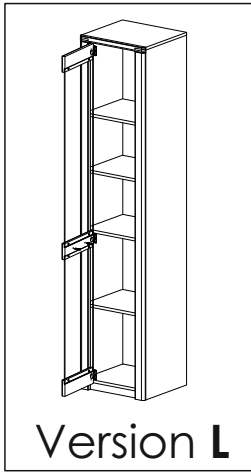
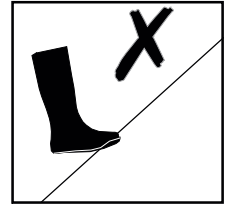


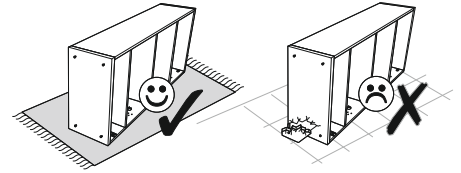
Version R



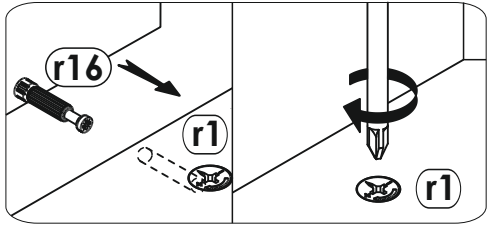
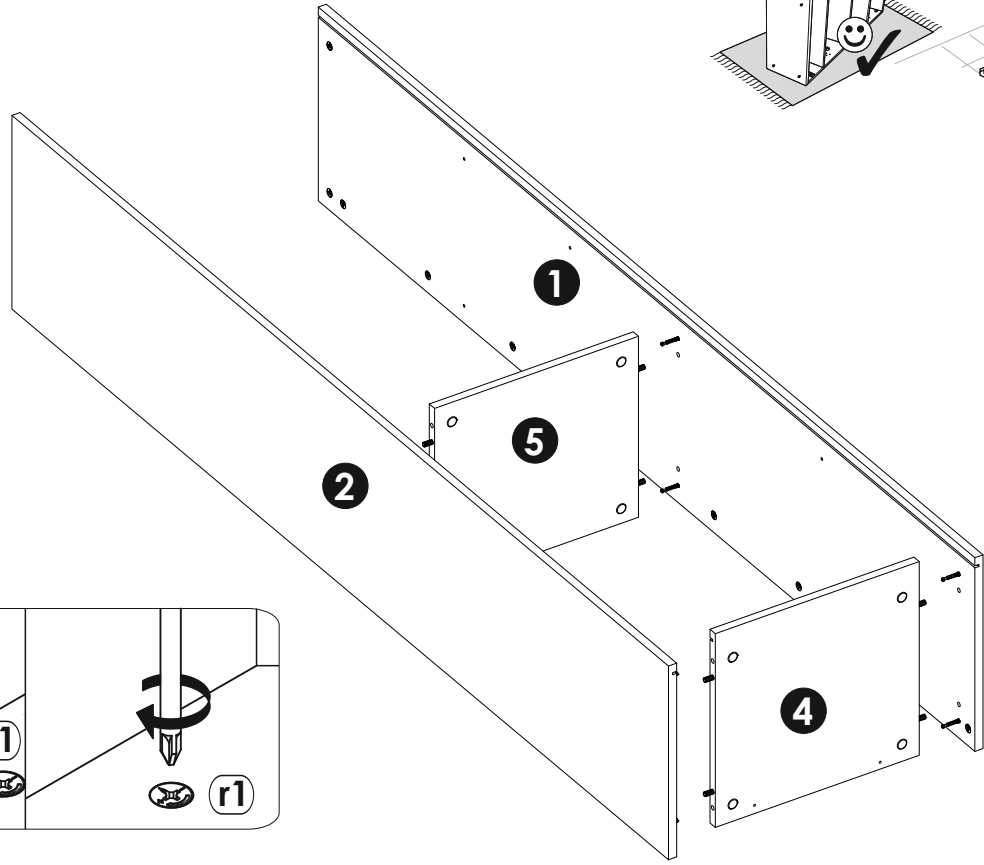
Version L

<b>4</b>	<b>a8</b>  x3	<b>p1</b>  φ3.5x13 mm x6	<b>p3</b>  φ3.5x16 mm x8	<b>o27</b>  x8
----------	--	---	---	---

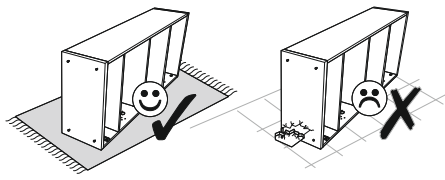
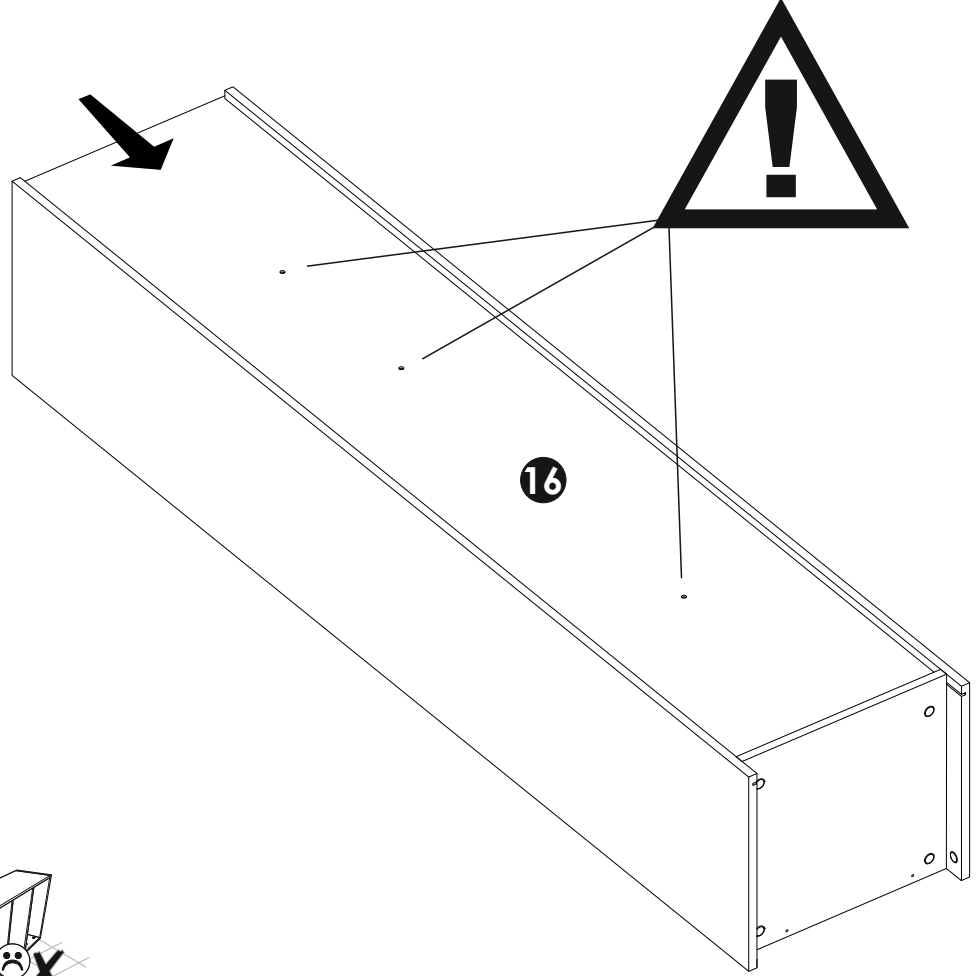




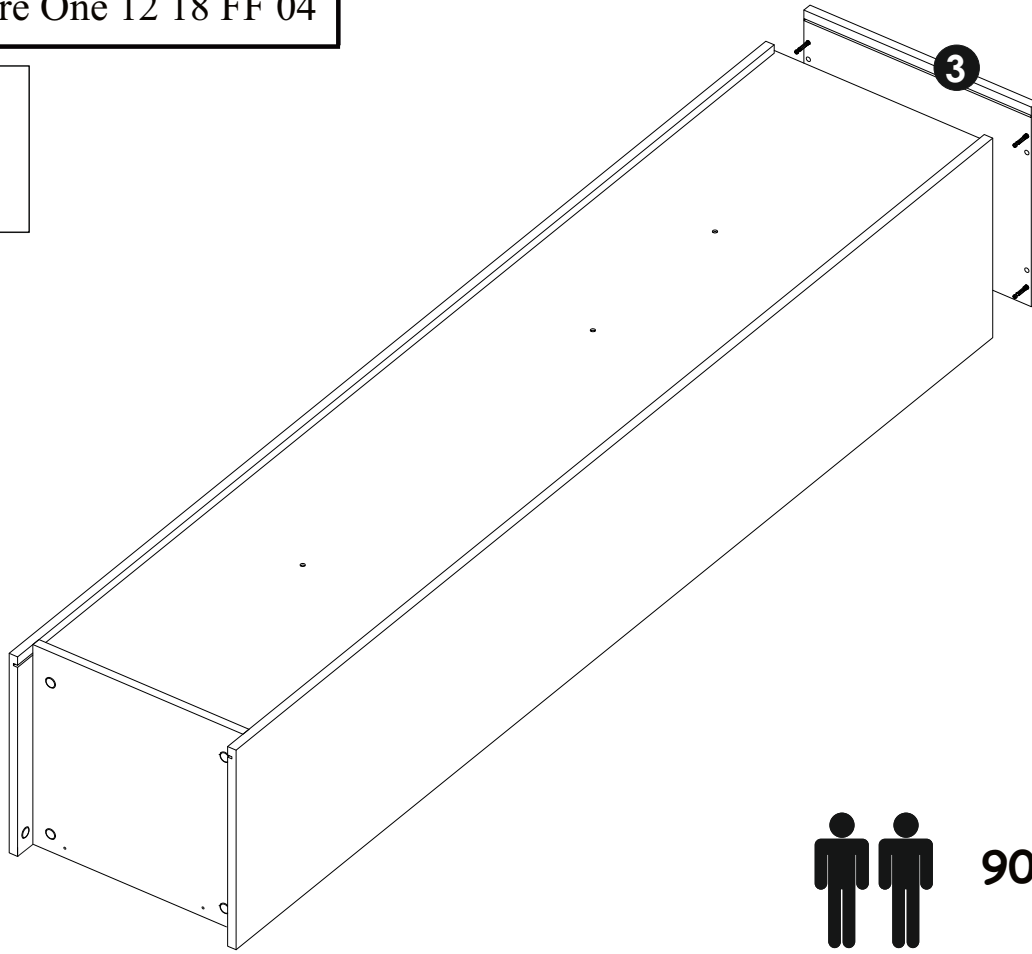
5



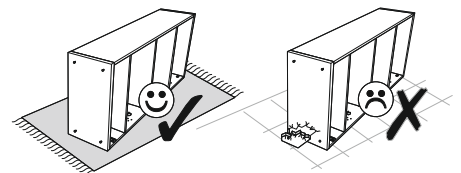
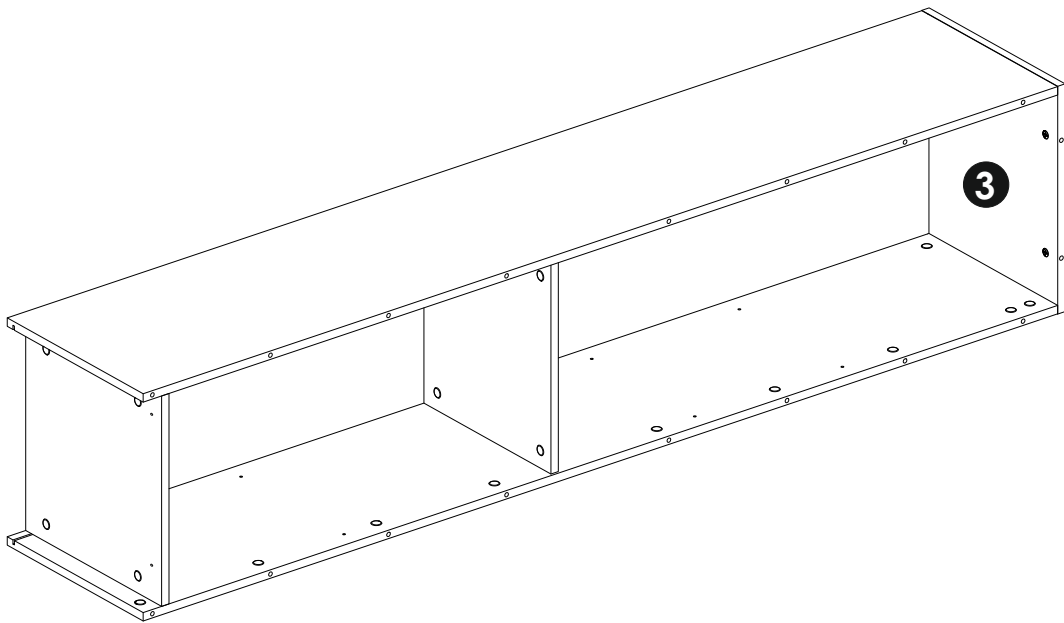
6

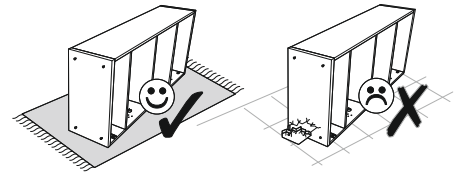


7

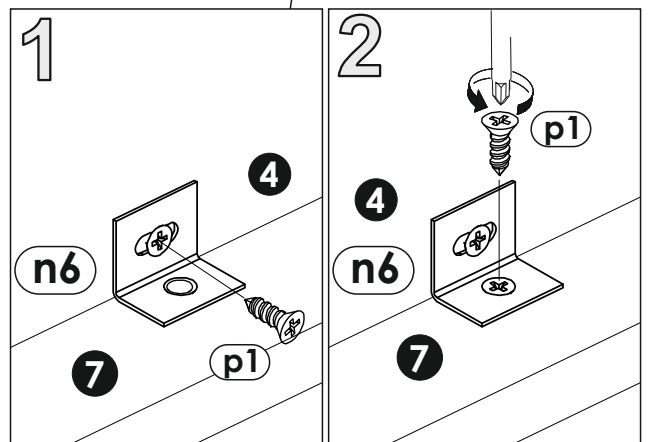
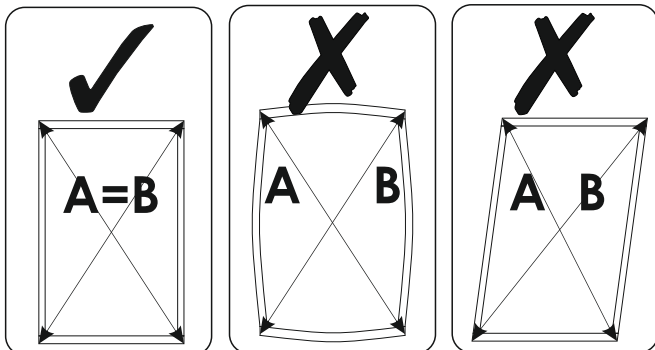
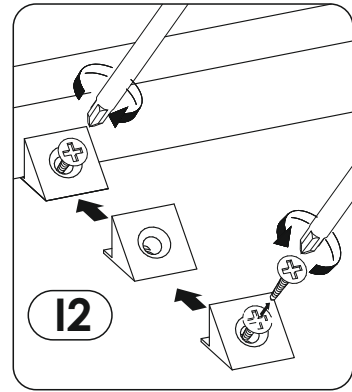
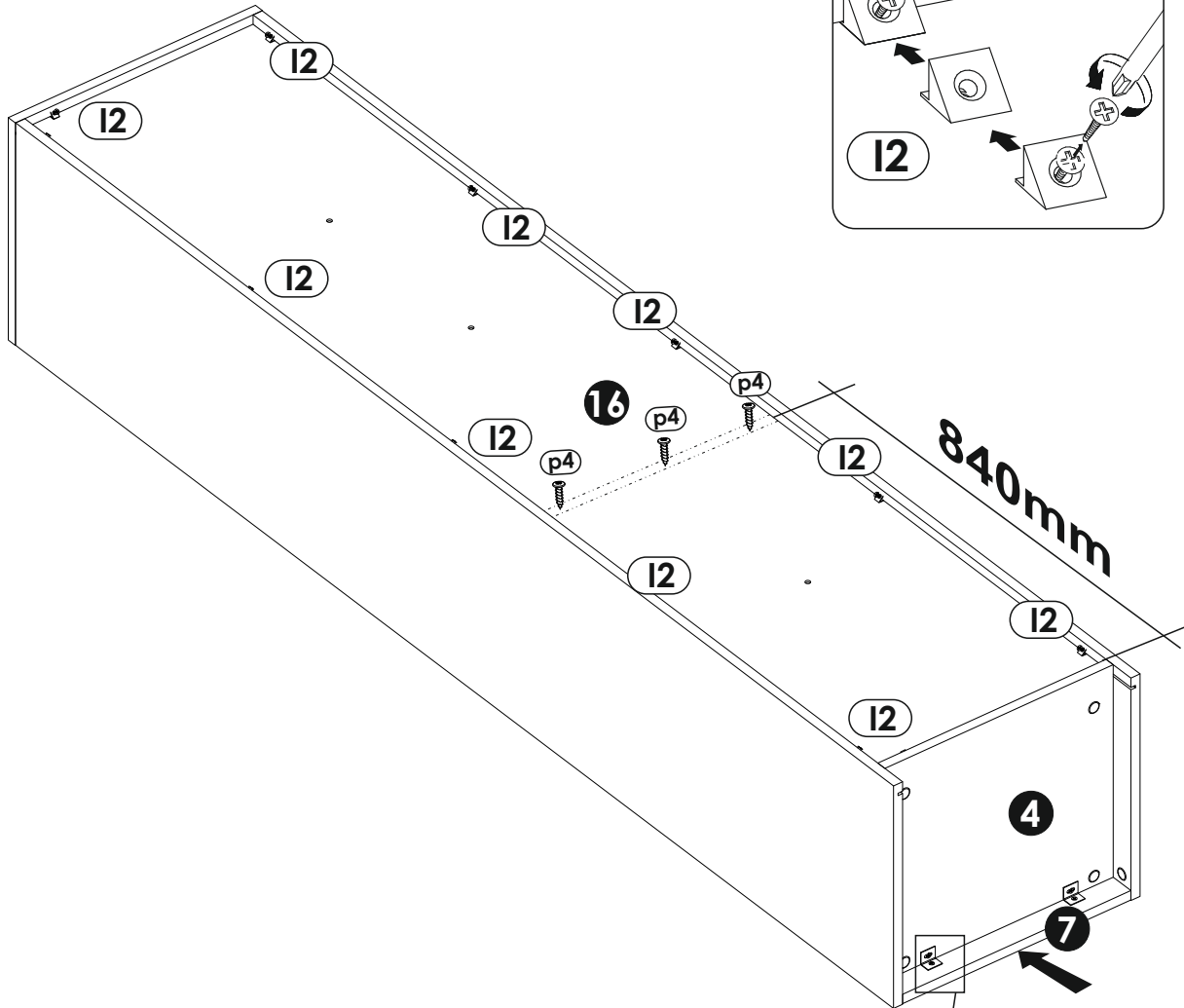





8

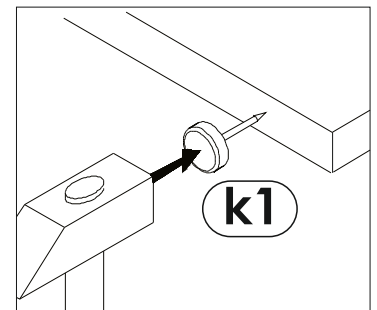
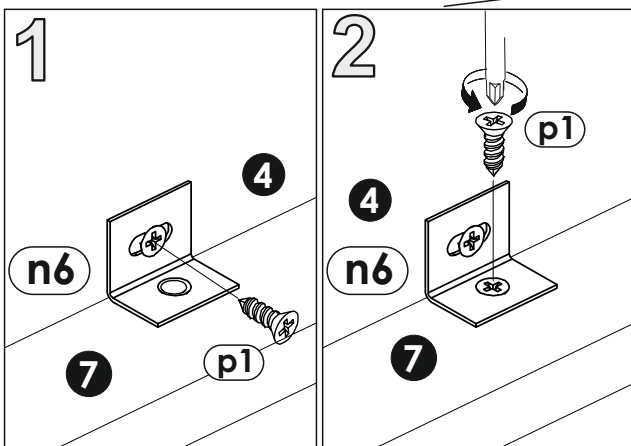
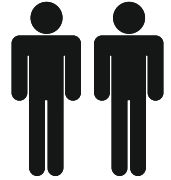
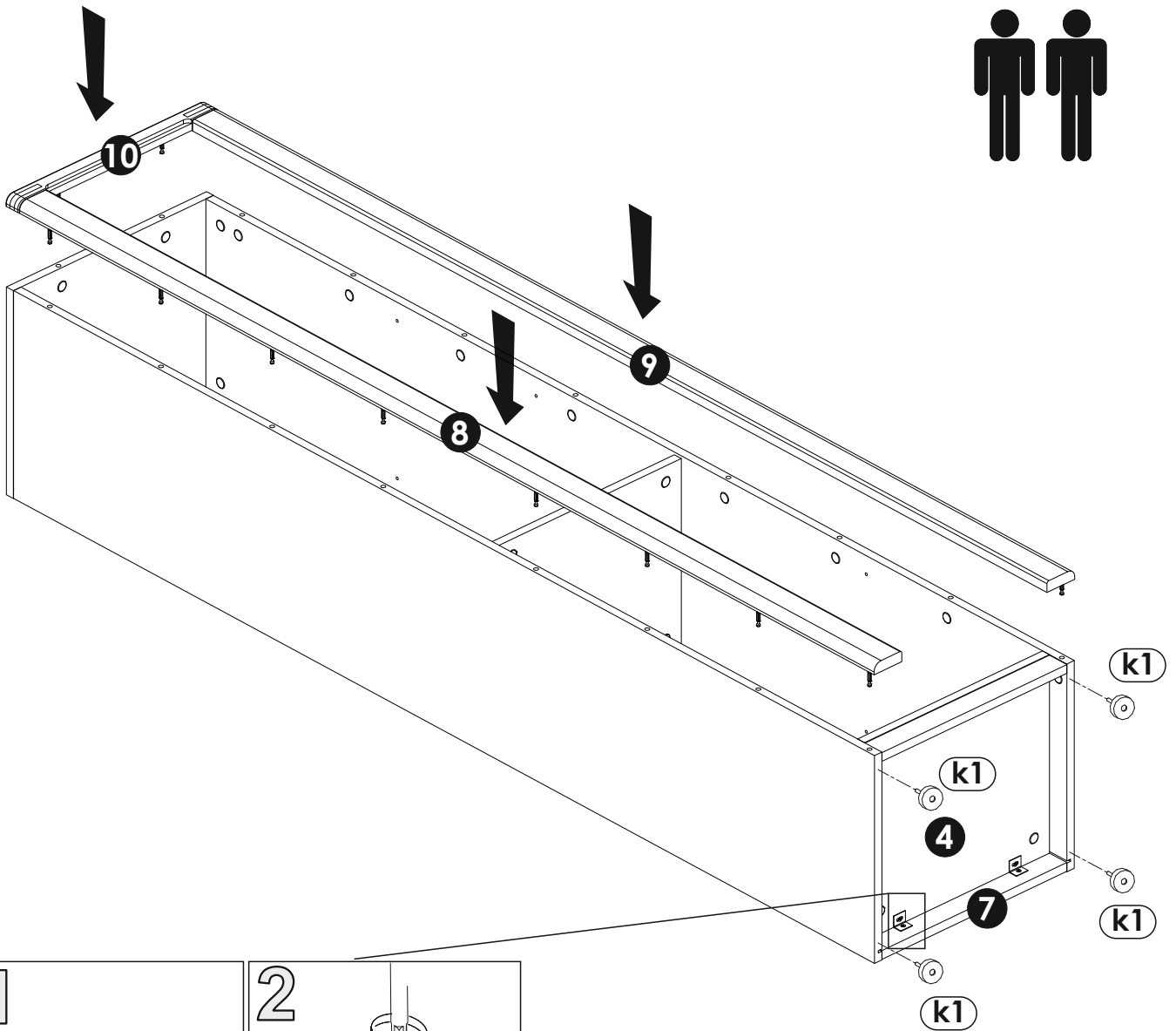
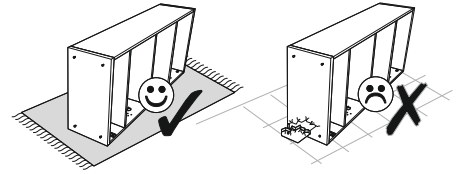




<b>9</b>	<b>I2</b>  x12	<b>p1</b>  φ3.5x13 mm x4	<b>n6</b>  x2	<b>p4</b>  φ3.5x16 mm x3
----------	----------------------	--------------------------------	---------------------	--------------------------------

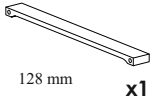


<p><b>10</b></p>	<p><b>p1</b></p>  <p>φ3.5x13 mm x4</p>	<p><b>n6</b></p>  <p>x2</p>	<p><b>k1</b></p>  <p>x4</p>
------------------	---	--	--

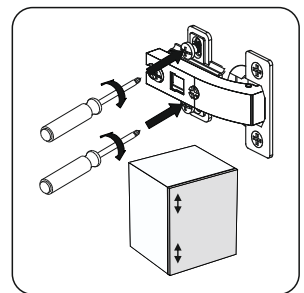
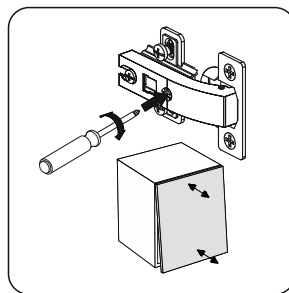
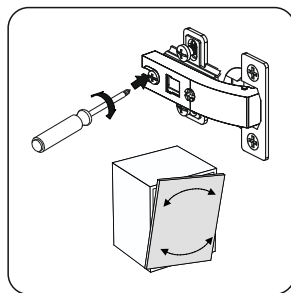
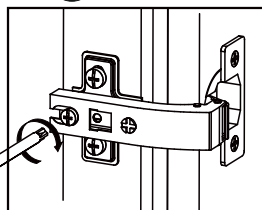
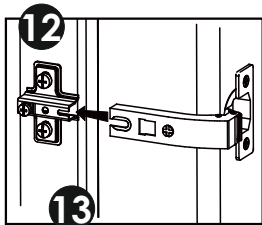
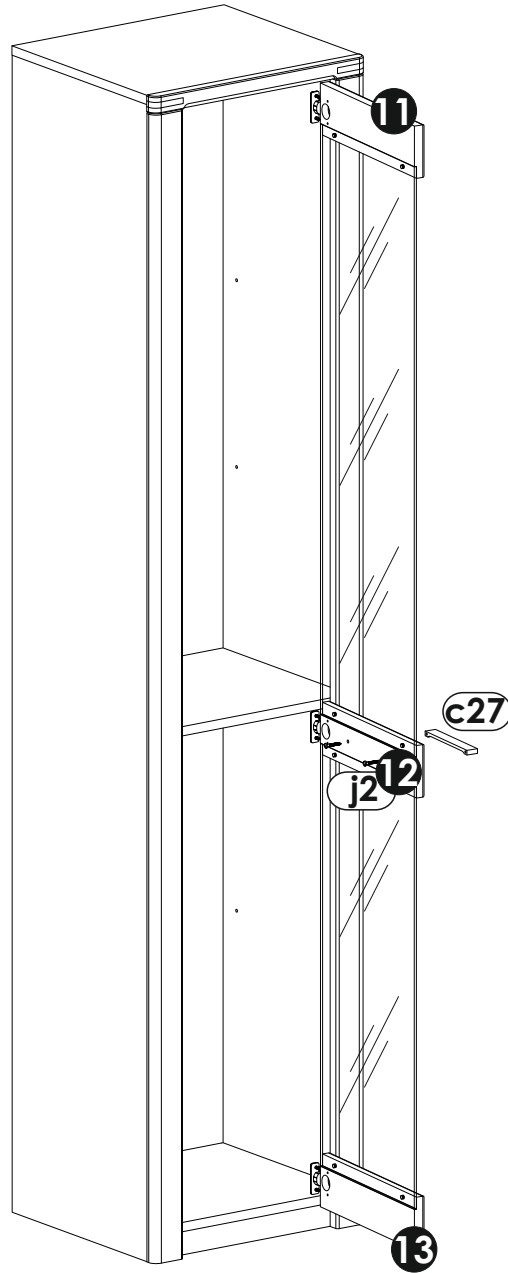
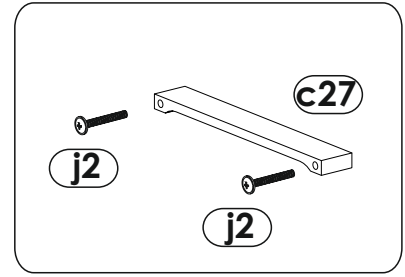




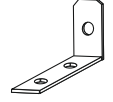



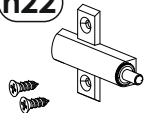
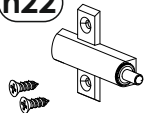
11

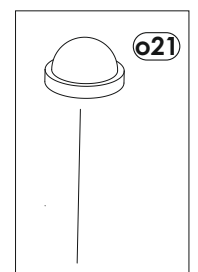
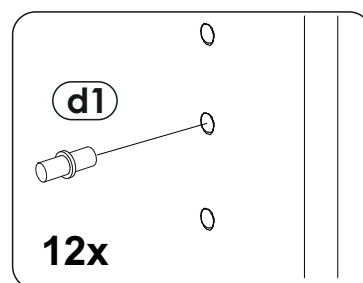
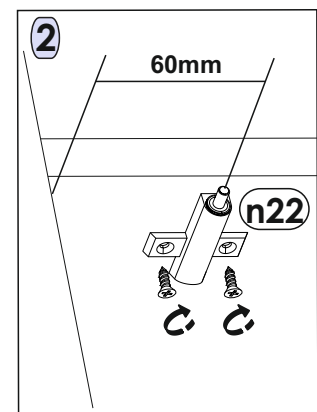
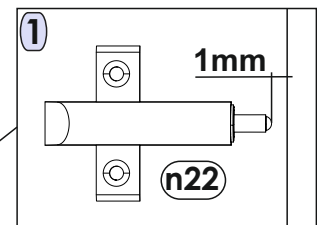
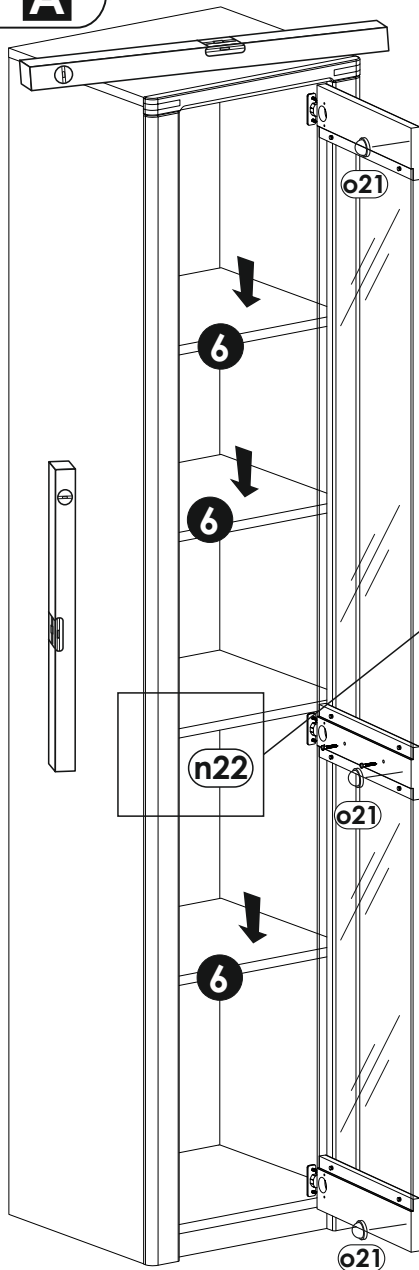
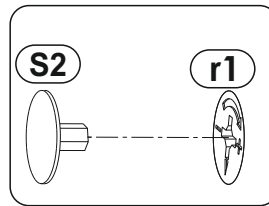
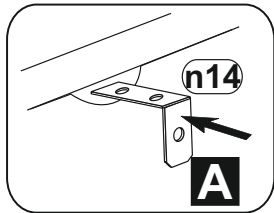
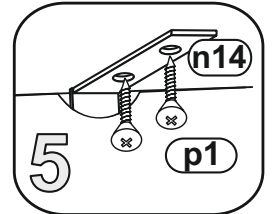
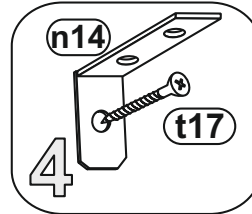
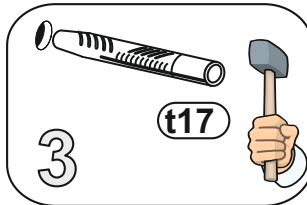
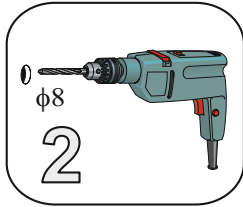
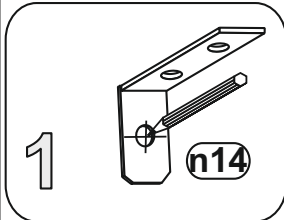
c27



j2



<b>12</b>	<b>o21</b>  x2	<b>t17</b>  φ8x50 mm x1	<b>n14</b>  x1	<b>p1</b>  φ3.5x13 mm x2	<b>d1</b>  φ5x17 mm x12	<b>s2</b>  x30	<b>n22</b>  x1
							





INPUT: 100-240V~50/60Hz  
OUTPUT: 12VDC/MAX 3,6W

