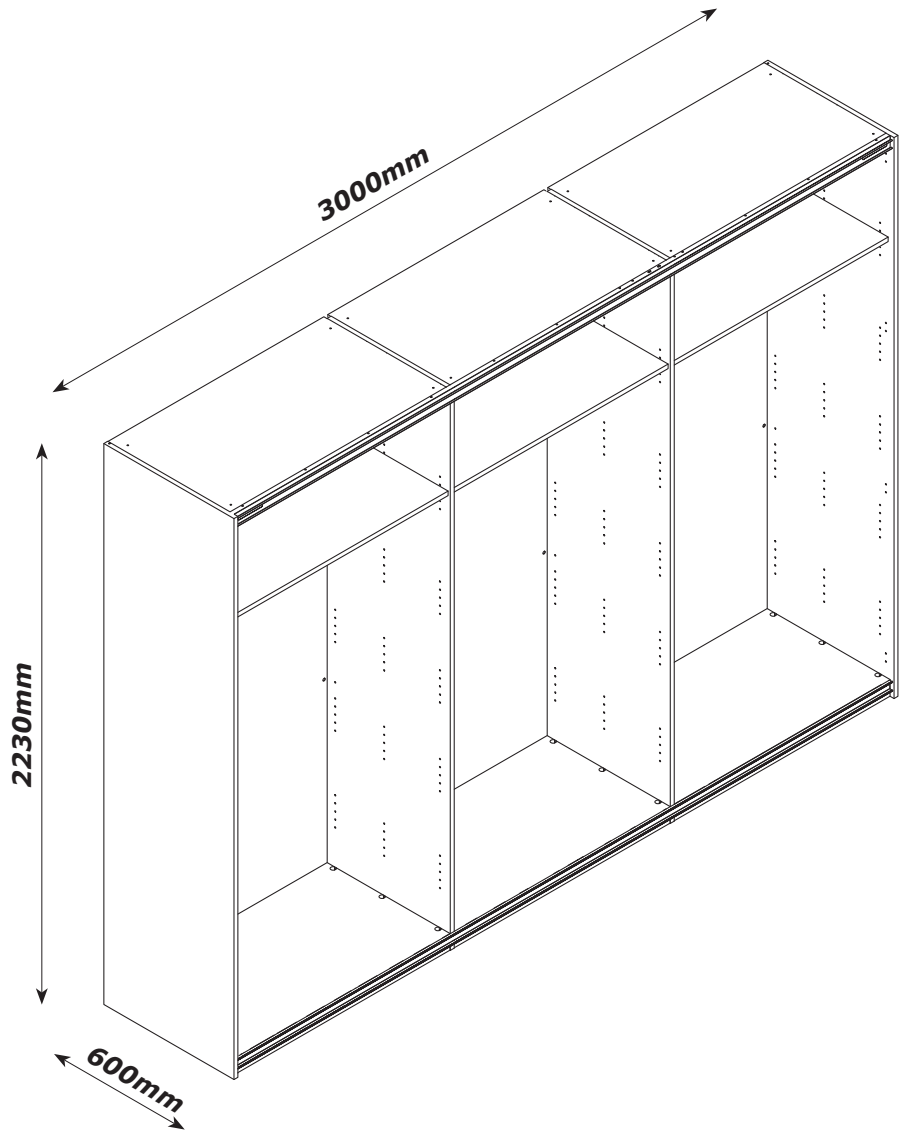
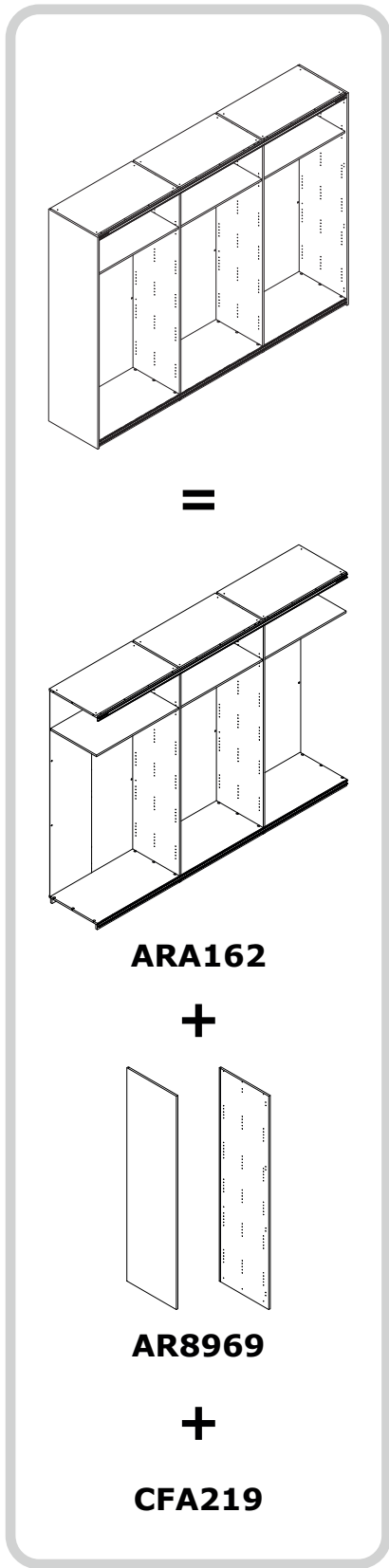


ARA162K62204 + CFA219K



MIX
Wood | Supporting
responsible forestry
FSC® C011298



FR

Pensez à
donner ou recycler.



Association

ou



Magasin

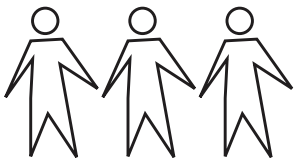
ou



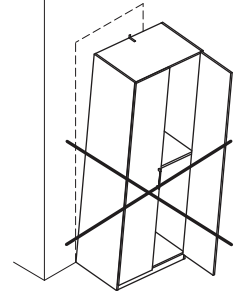
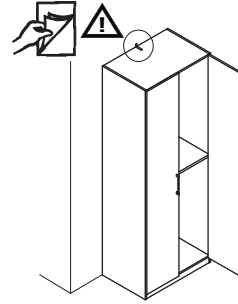
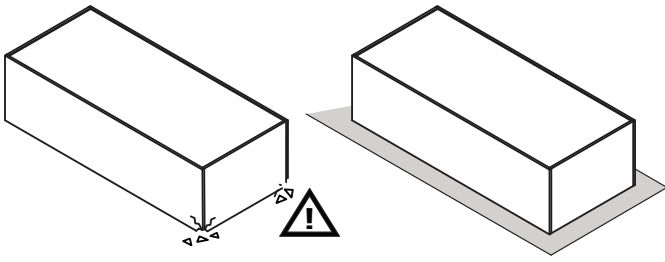
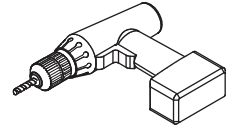
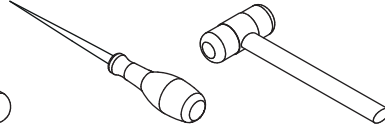
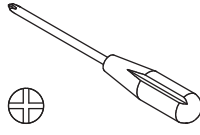
Déchèterie

<https://quefairedemesdechets.fr>

QF06262

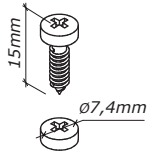


4h

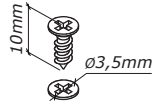


CFA219K00804

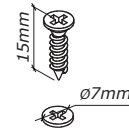
BU05401



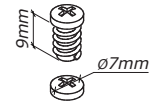
V81
x4



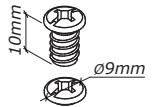
V87
x12



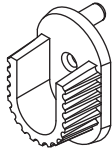
V5
x12



V71
x18



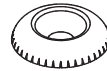
V175
x36



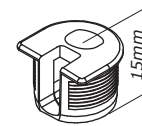
R34
x6



R5
x18



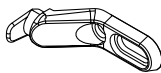
H289
x12



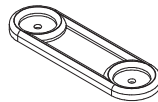
T127
x36



T69
x12



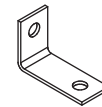
H322
x12



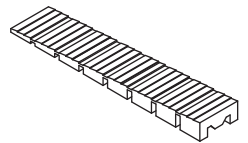
P16
x20



H15
x40



H141
x12



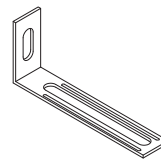
P17
x2



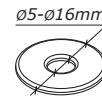
T129
x24



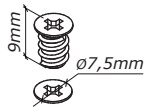
T53
x12



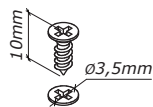
H337
x2



H129
x4

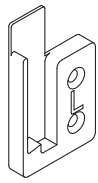
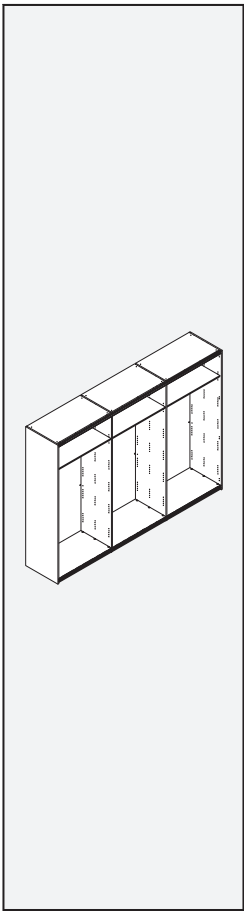


V102
x96



V87
x48

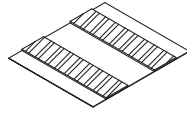
CF0249



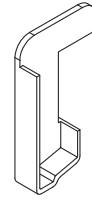
h x1
30x6x53mm



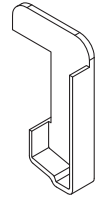
i x1
30x6x53mm



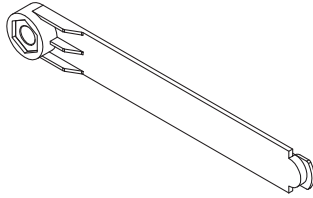
j x1
9x35x0,5mm



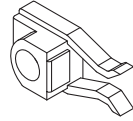
k x1
32,5x9x51,5mm



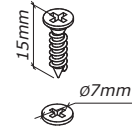
l x1
32,5x9x51,5mm



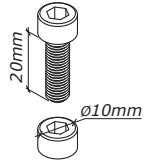
m x2
118x9,5x15mm



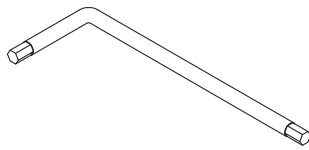
n x2
42x15x21mm



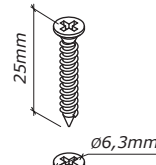
V5
x24



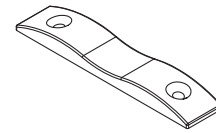
V188
x2



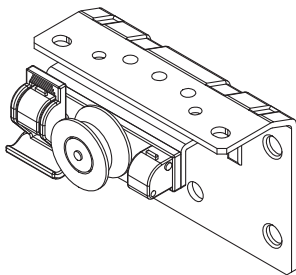
H176
x1



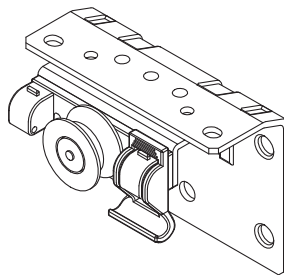
V119
x14



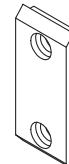
q x1
80x51x60mm



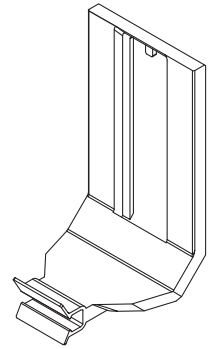
a x1
80x51x60mm



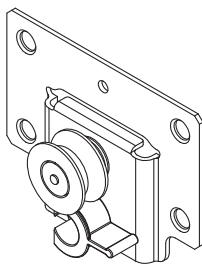
b x1
80x51x60mm



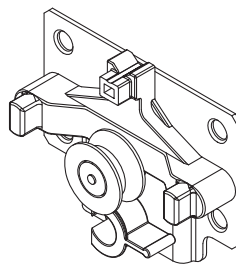
c x6
21x5x49mm



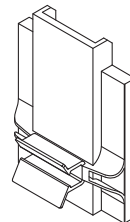
d x2
44x48x84mm



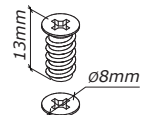
e x2
80x22x60mm



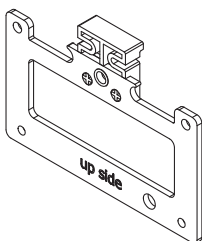
f x2
80x22x62mm



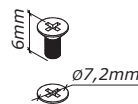
g x4
44x19x60mm



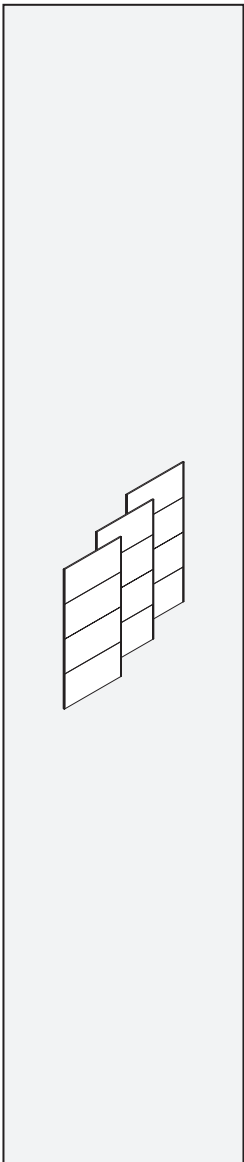
V187
x36

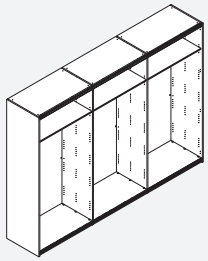


o x1
80x51x60mm



p x2
21x5x49mm





KP0207 x1
L. 3003mm



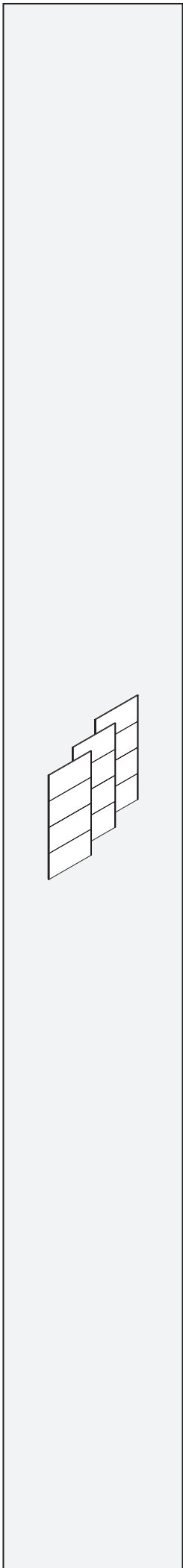
KP0208 x1
L. 3000mm



FW00702 x3
L. 982mm



H203 x2
L. 2170mm



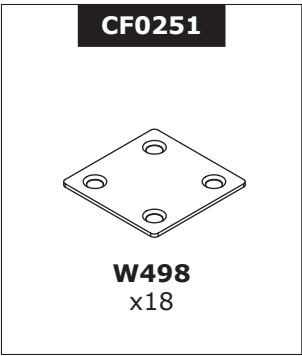
CF

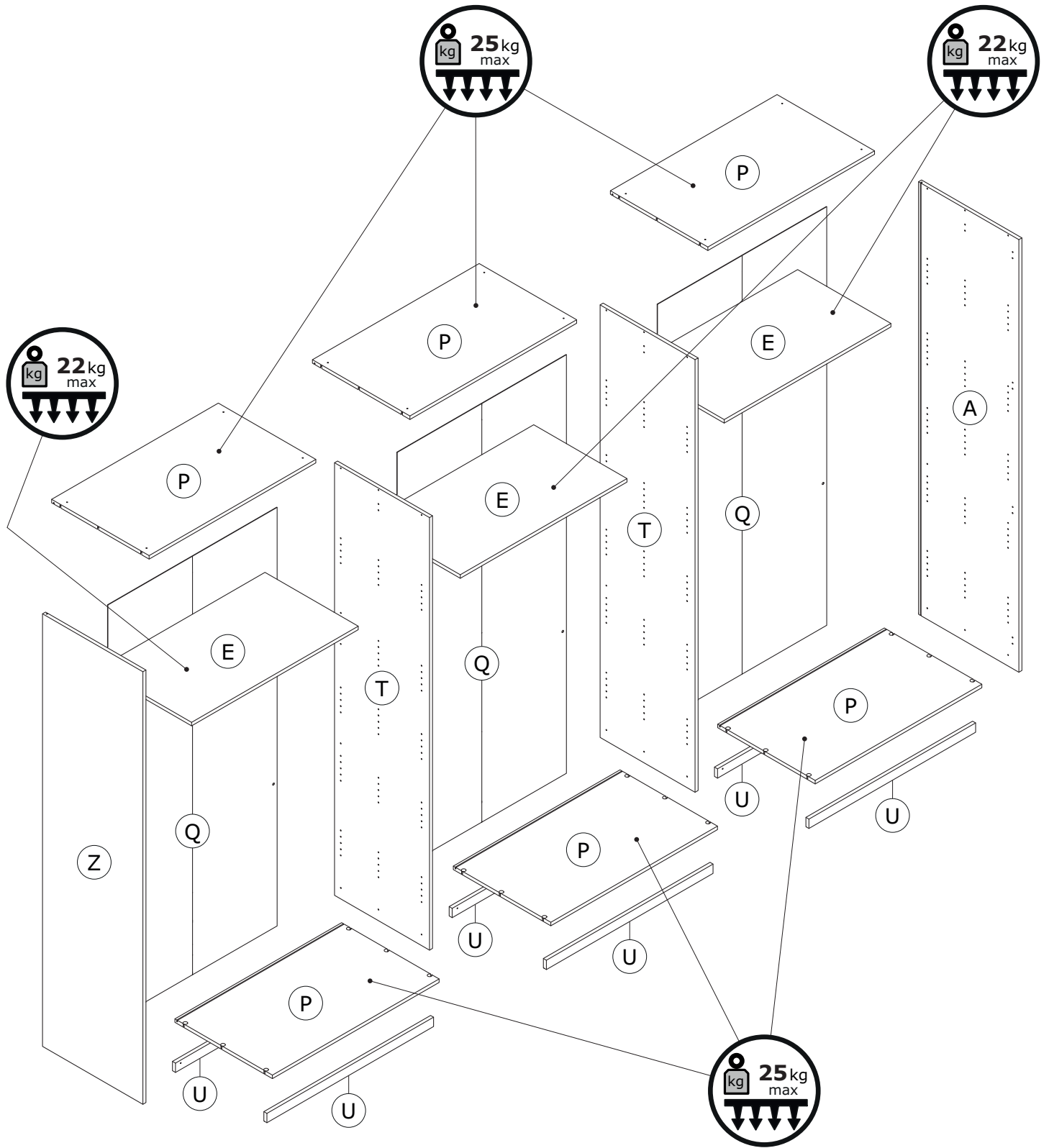


M1 x4
L. 2178mm

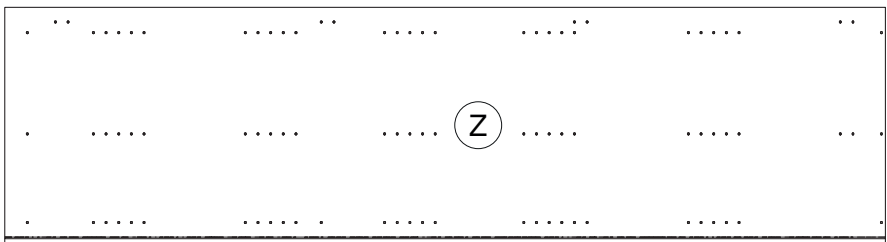


M2 x2
L. 2178mm

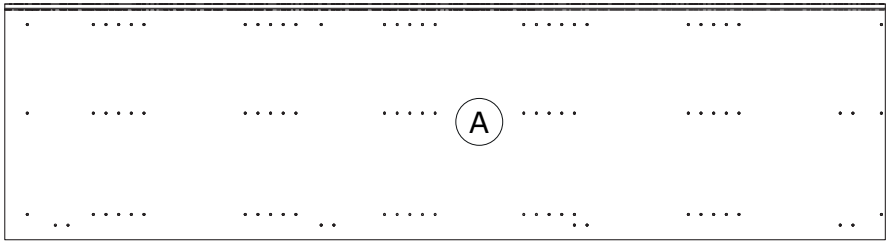




AR8969K6220413

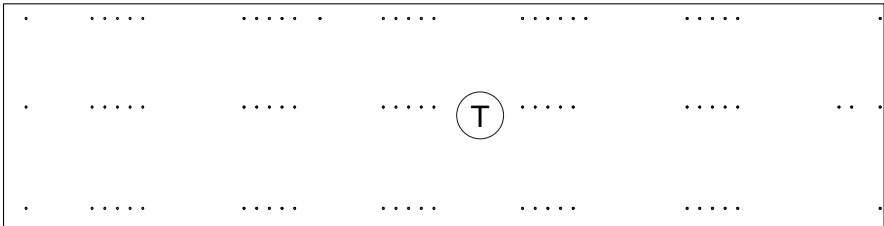


FI9016
2226x596x18mm

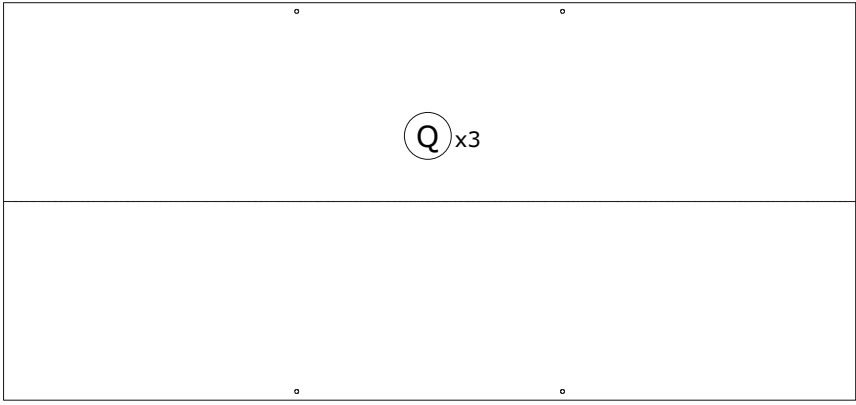


FI9015
2226x596x18mm

ARA162K7670425

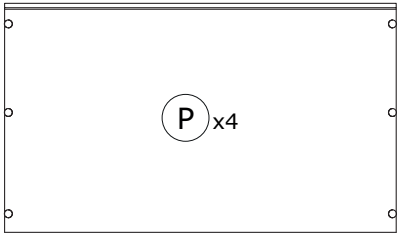


TR2360
2226x564x18mm

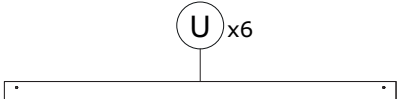


SS0780
2154x1005x2,3mm

ARA162K7670435

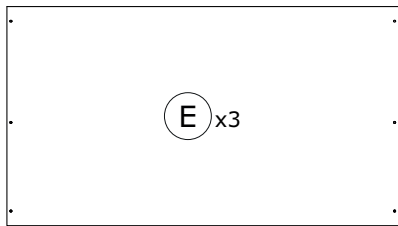


PI7342
990x579x18mm



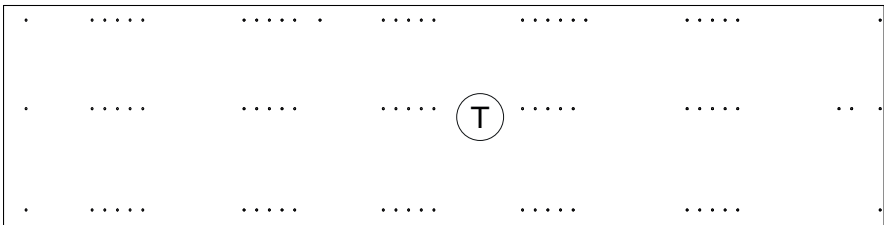
ZO1646
990x48x18mm

ARA162K7670455

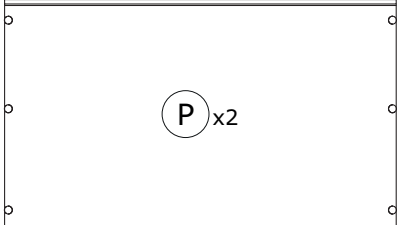


PI7336
990x554x18mm

ARA162K7670445

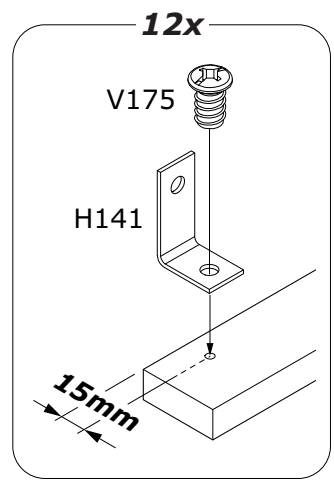
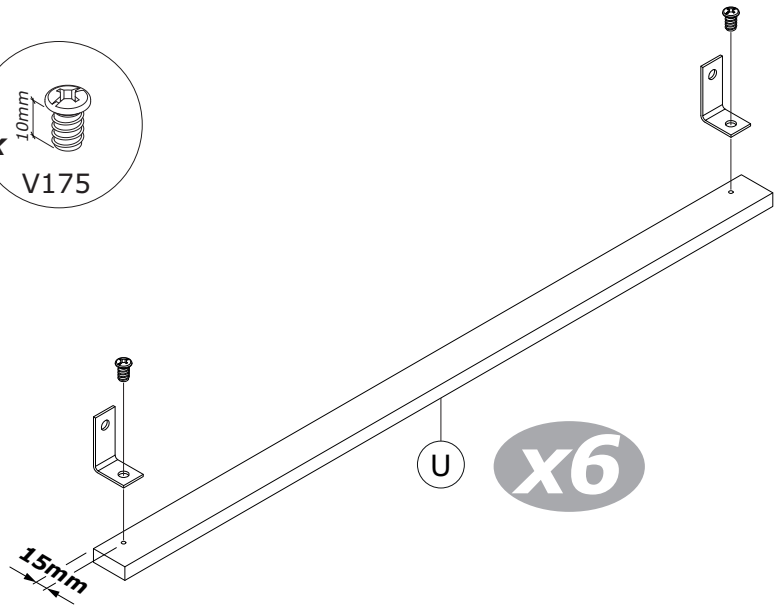
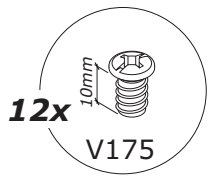
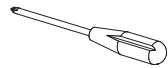


TR2360
2226x564x18mm

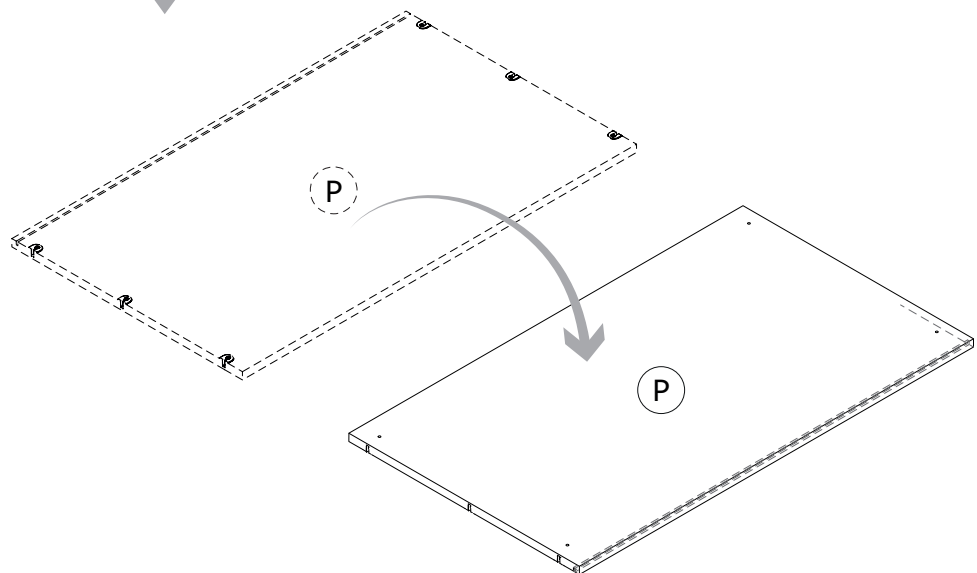
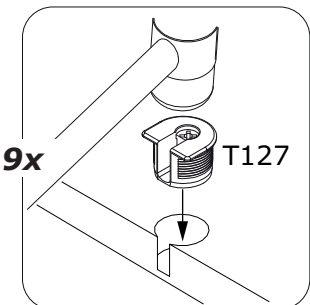
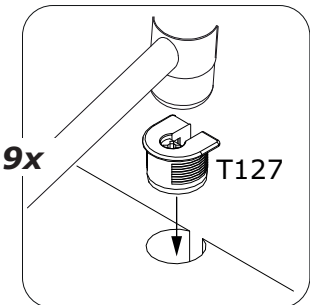
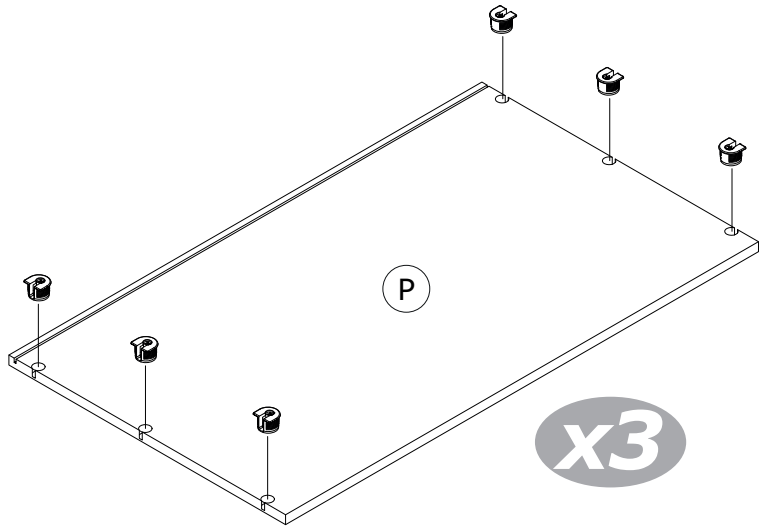
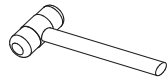


PI7342
990x579x18mm

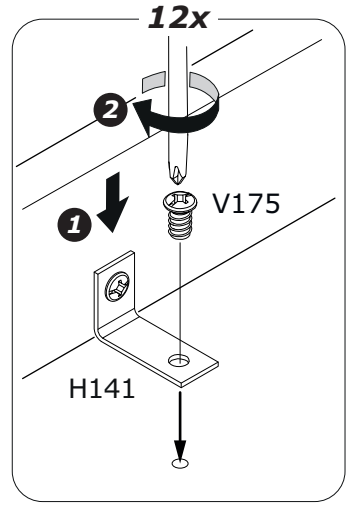
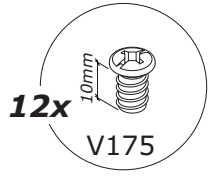
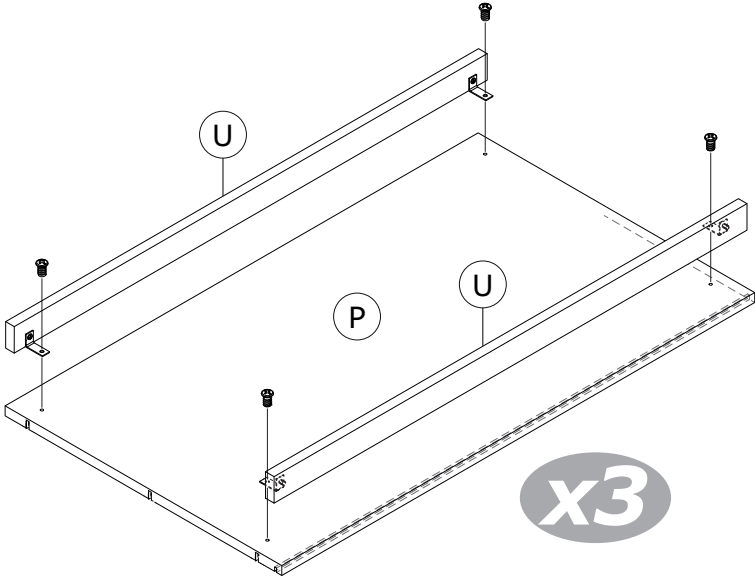
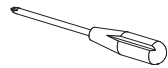
1



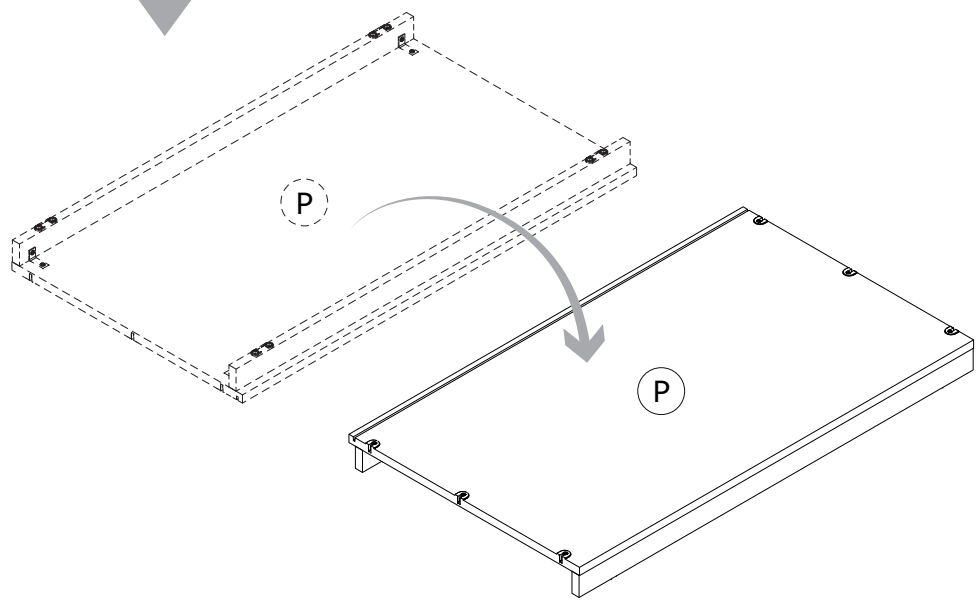
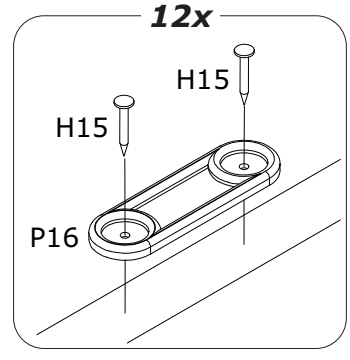
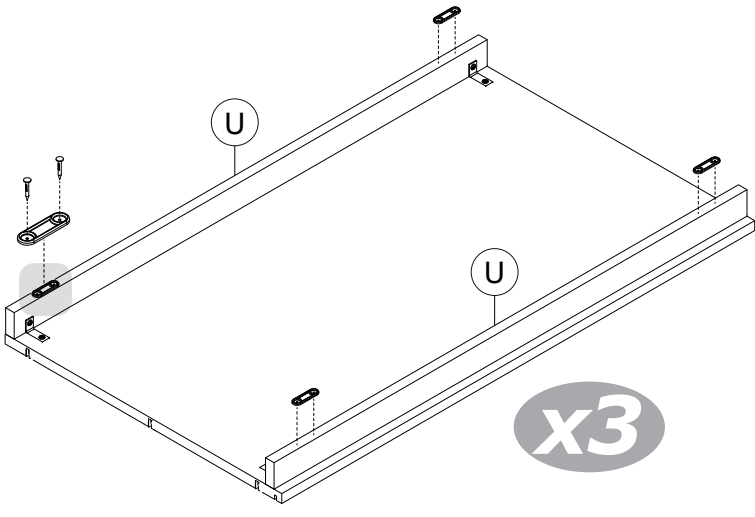
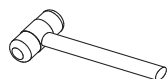
2



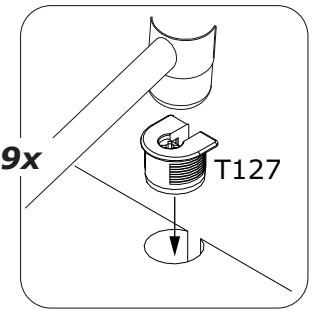
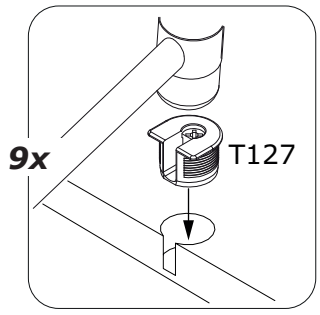
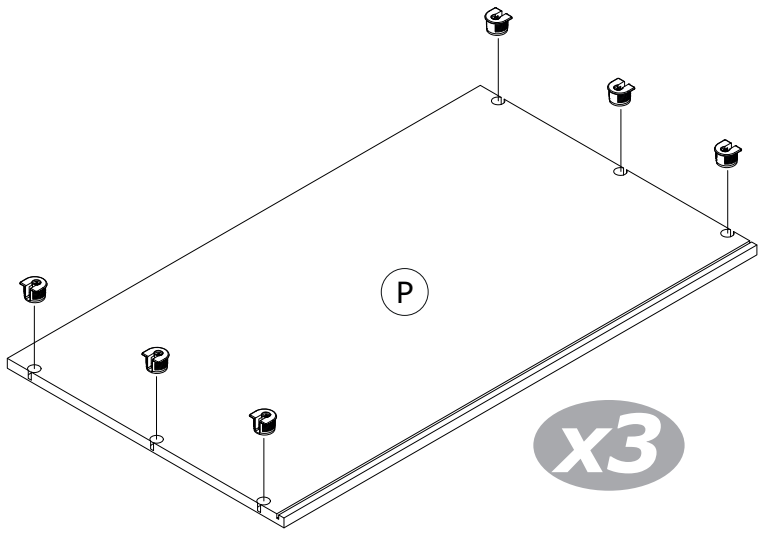
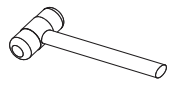
3



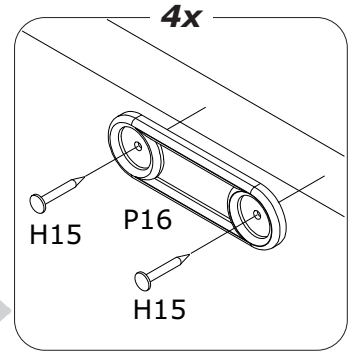
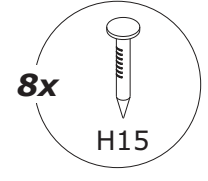
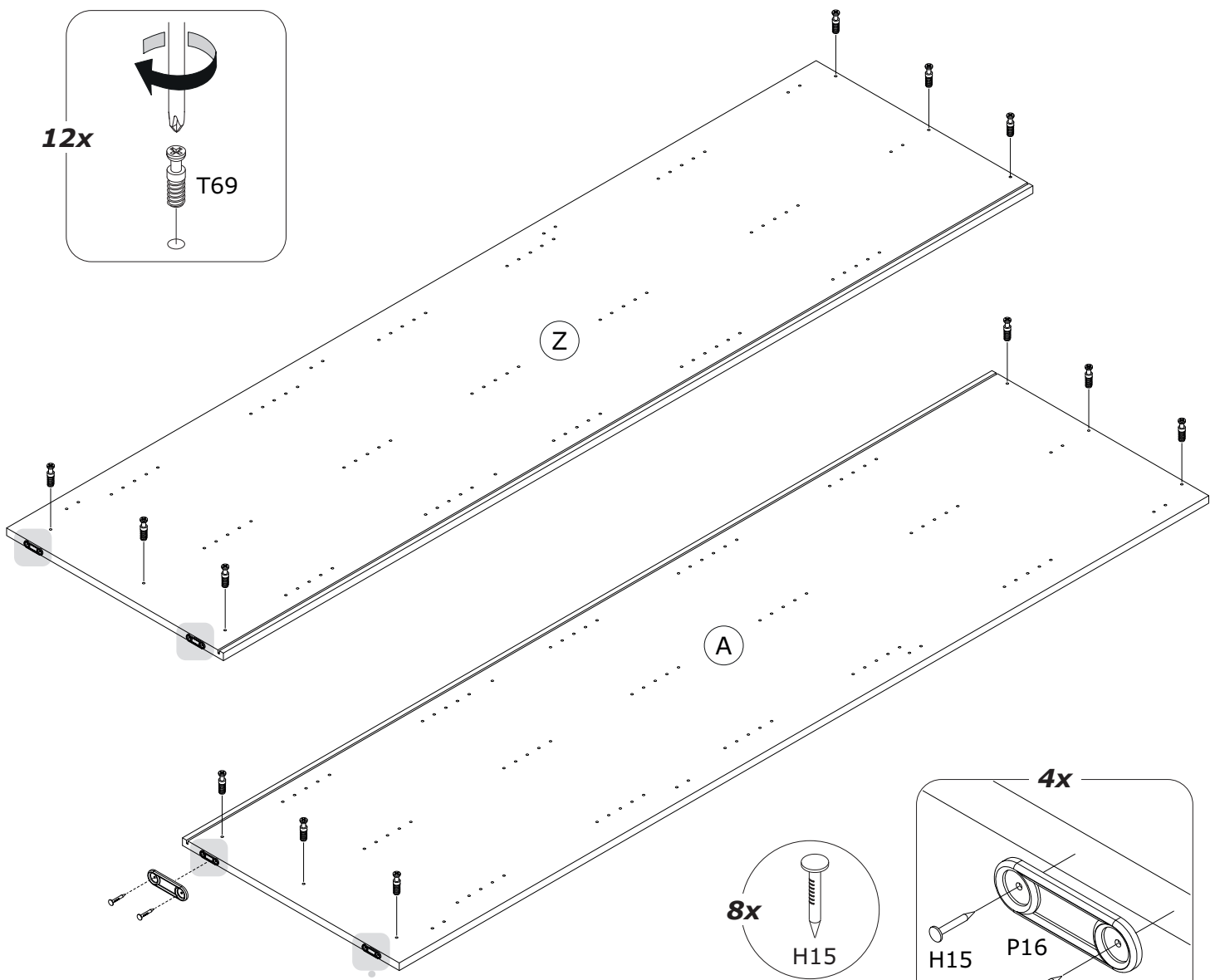
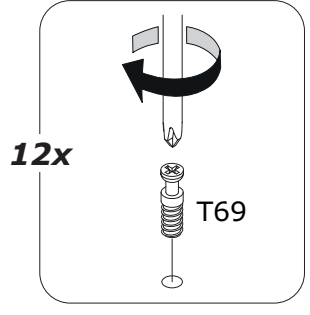
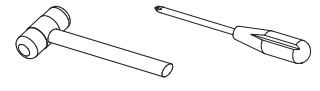
4



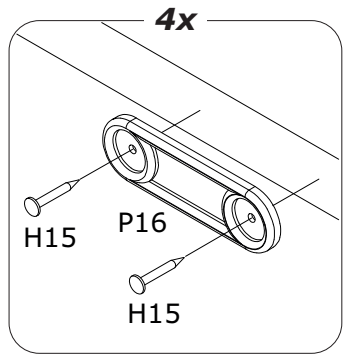
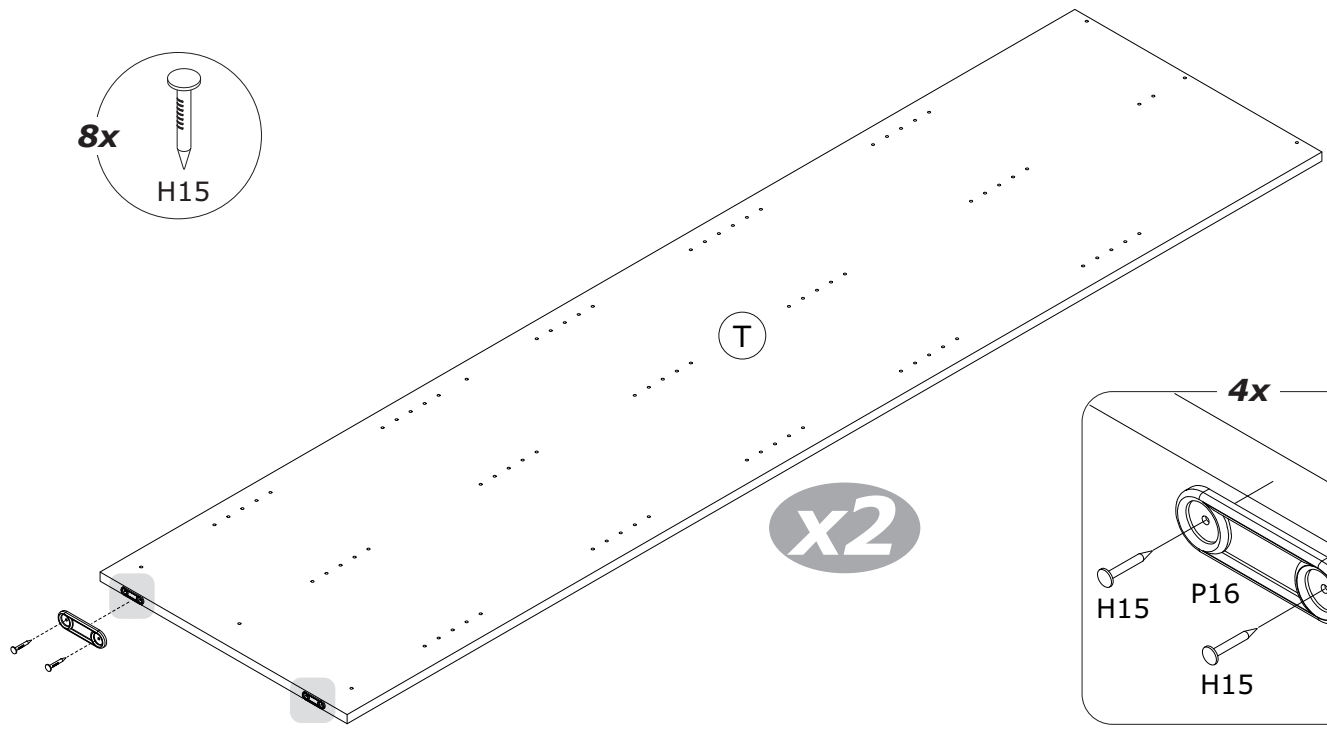
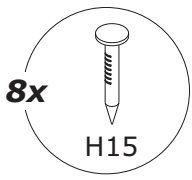
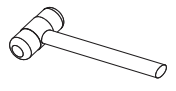
5



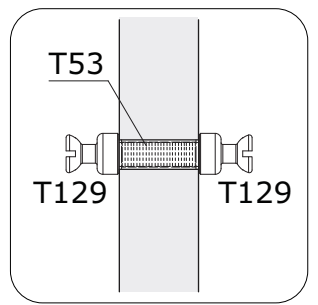
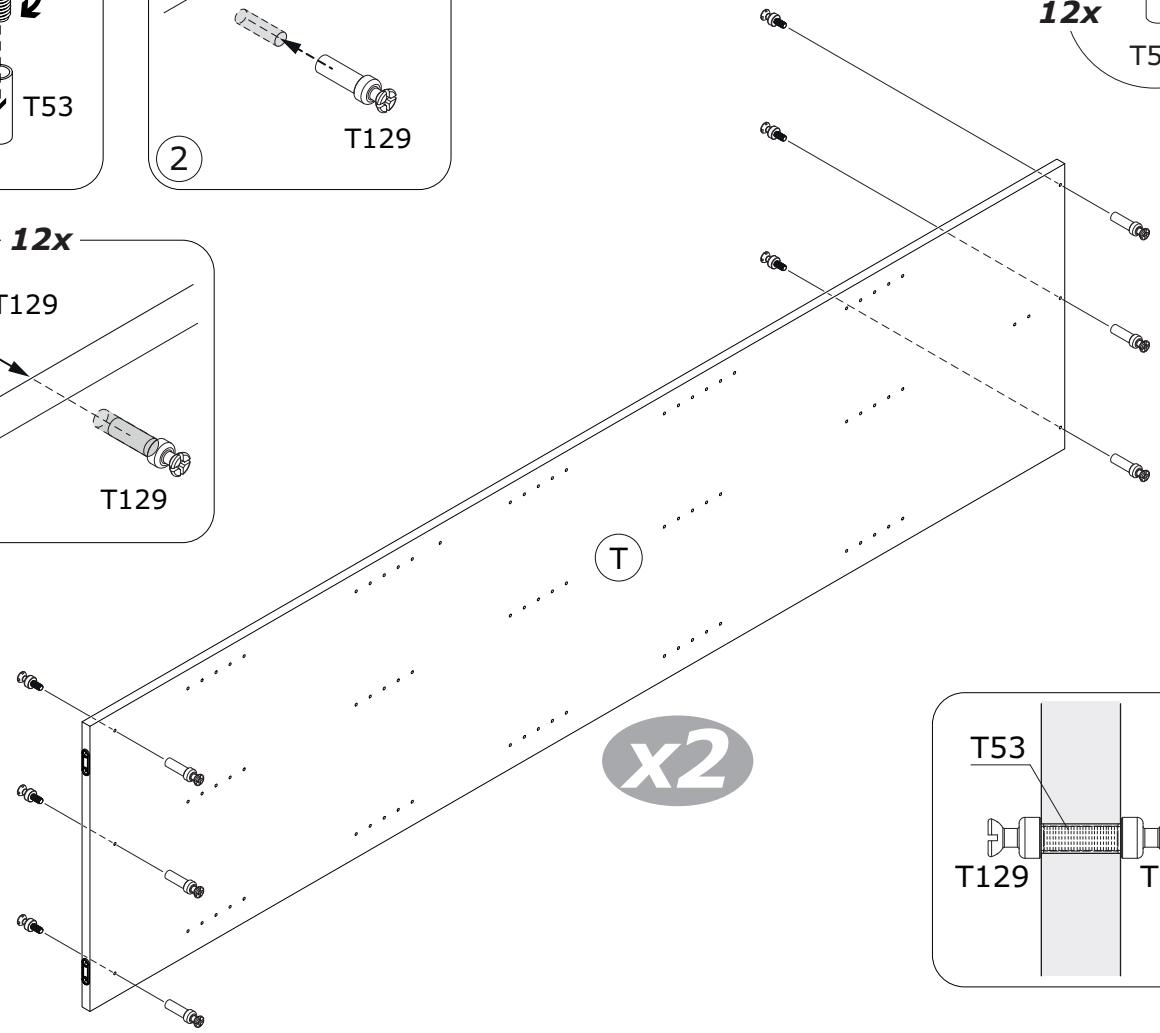
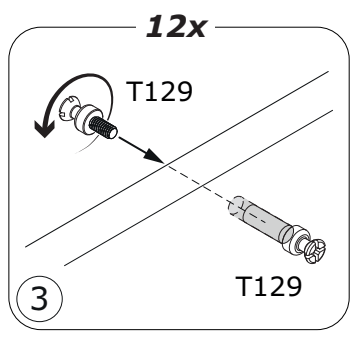
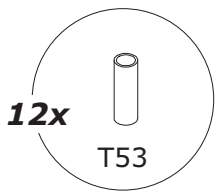
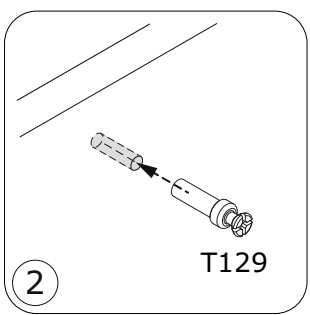
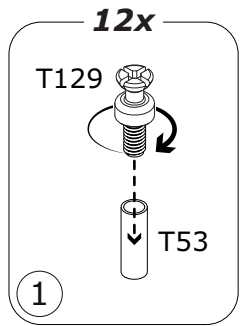
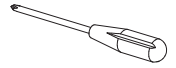
6



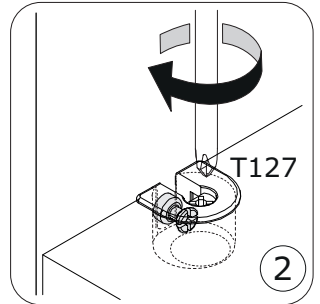
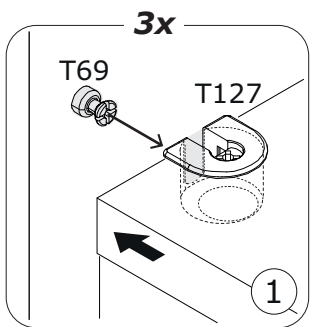
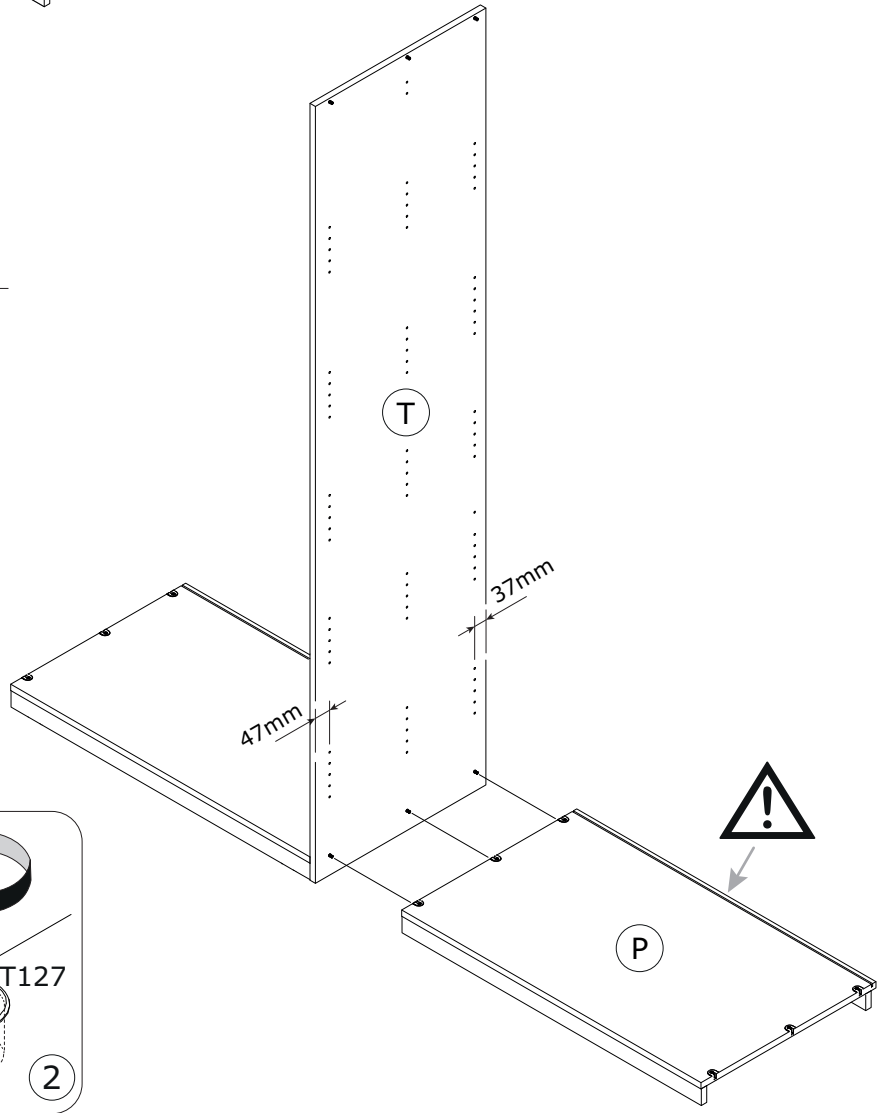
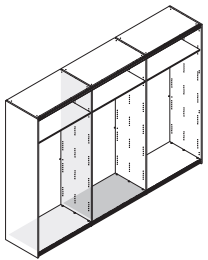
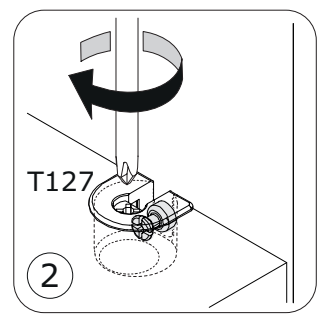
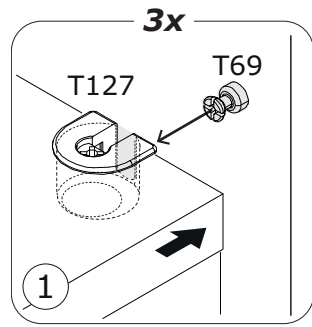
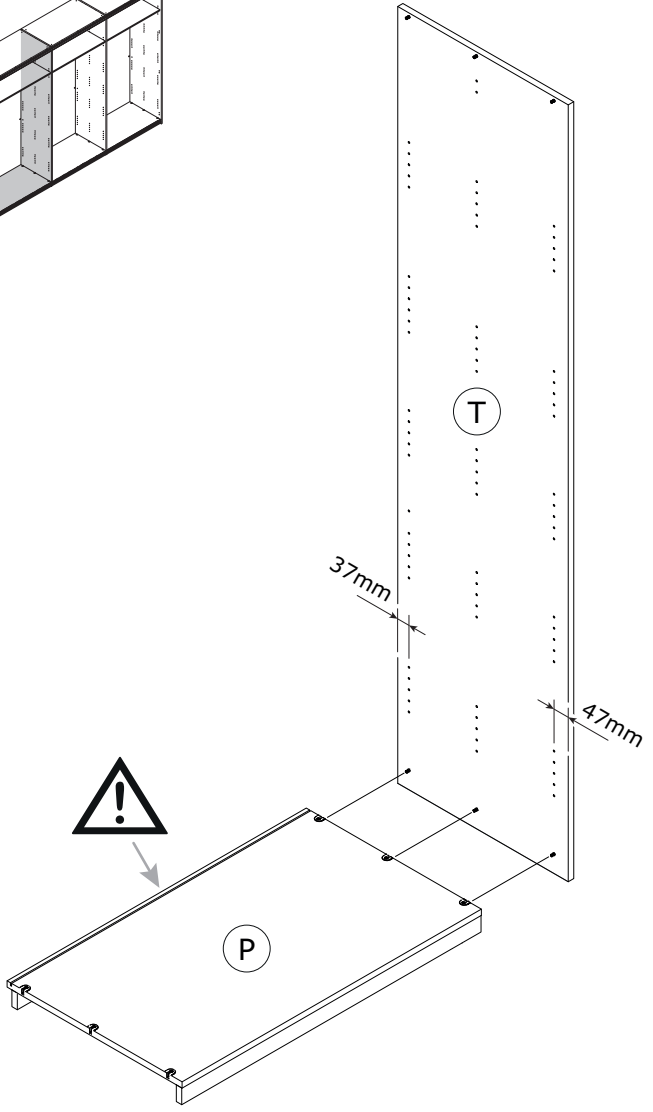
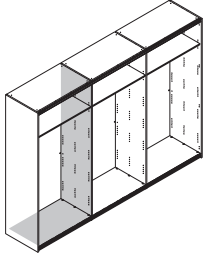
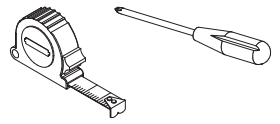
7



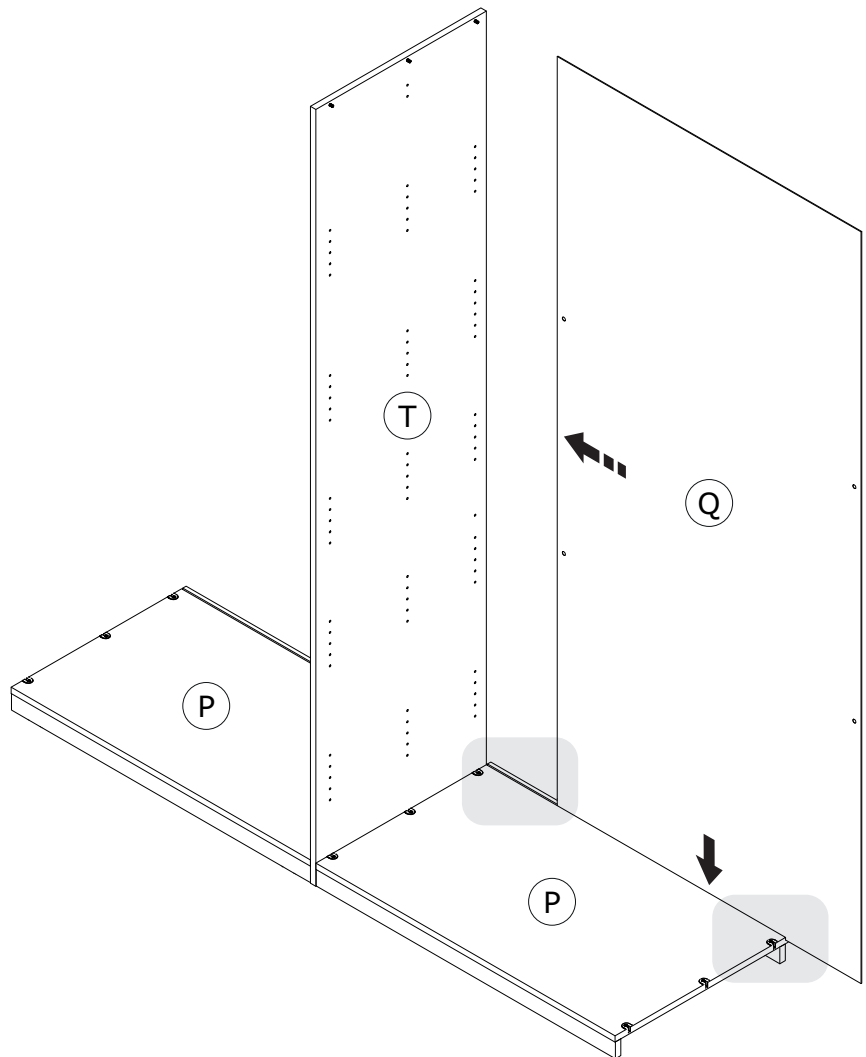
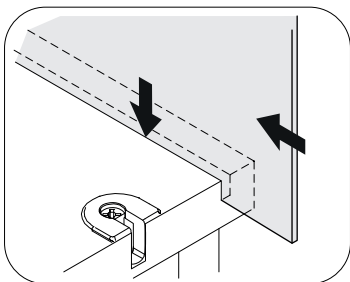
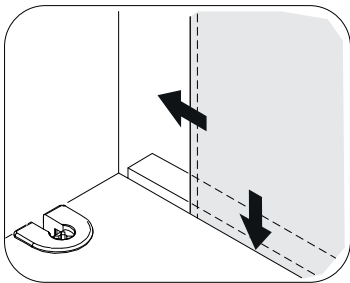
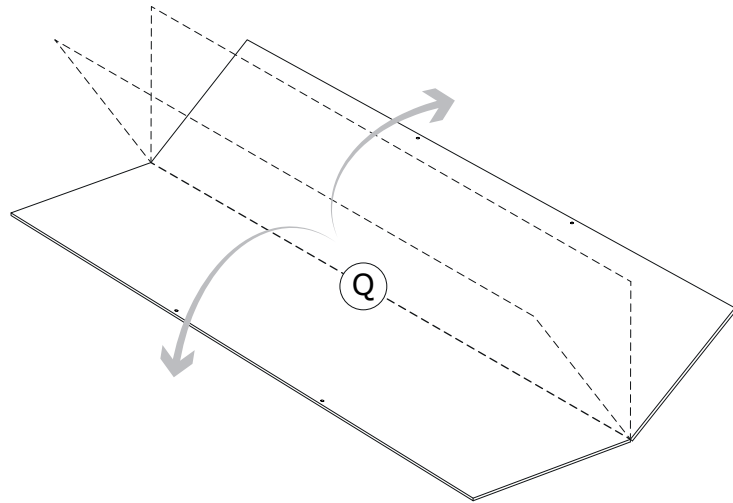
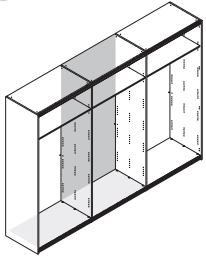
8

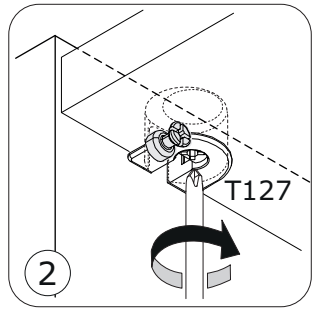
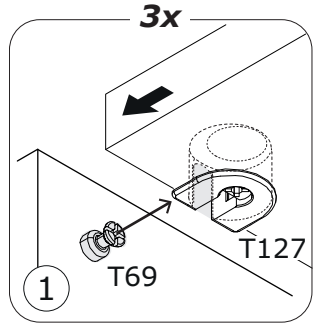
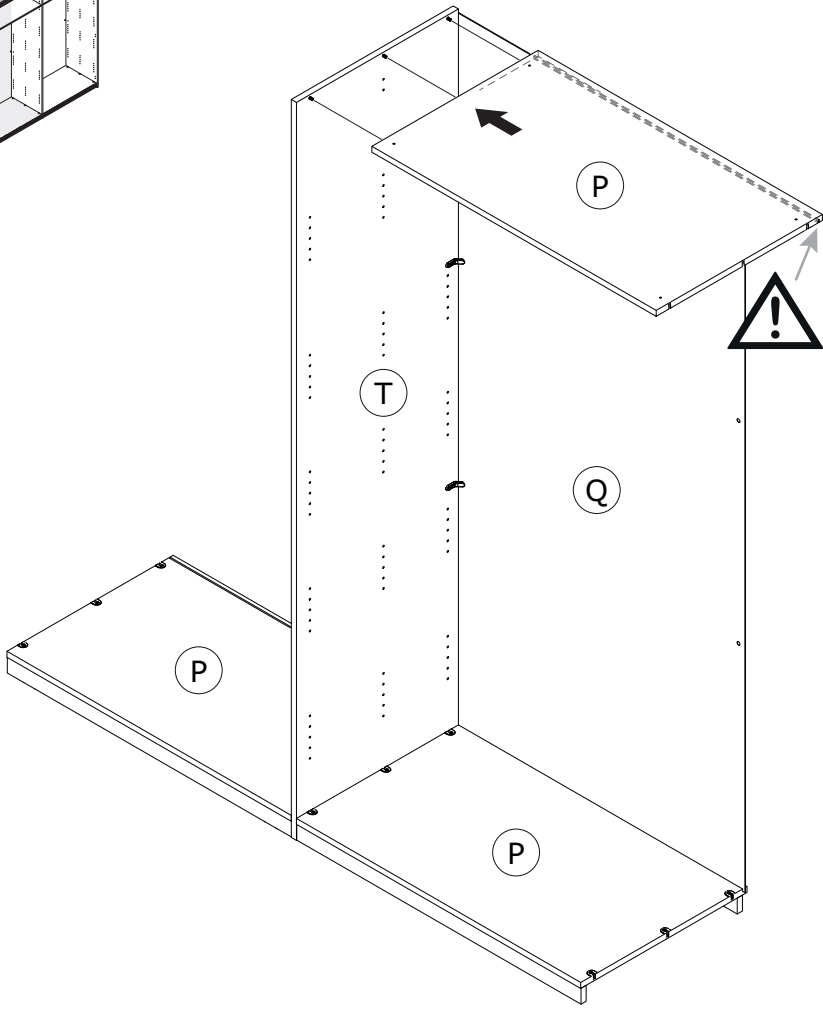
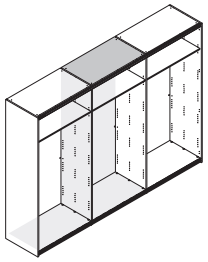
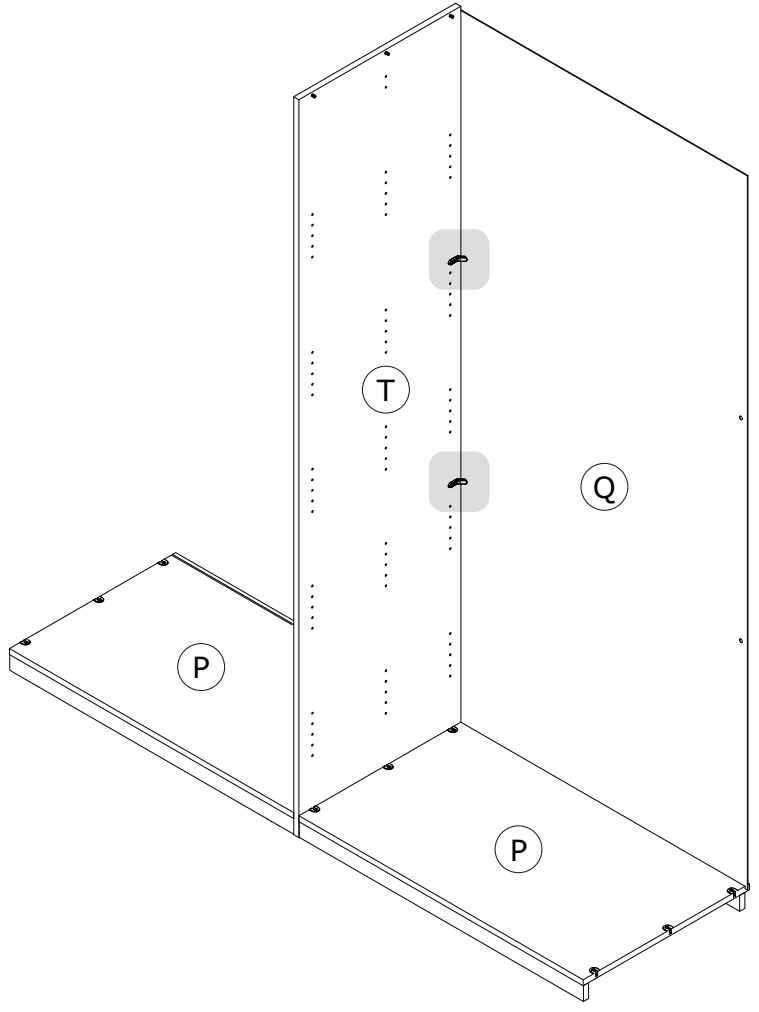
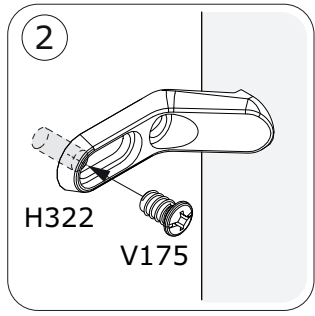
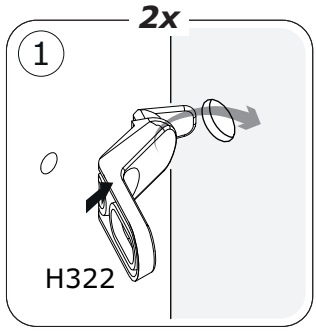
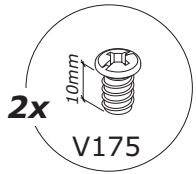
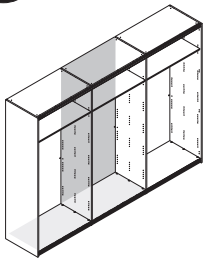
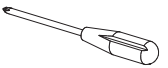


9

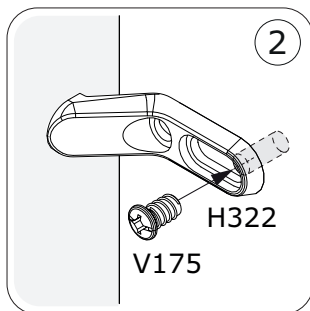
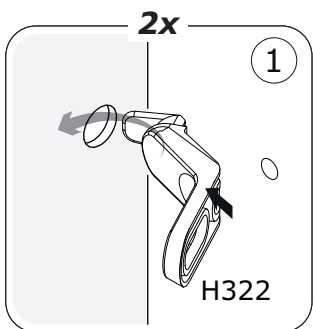
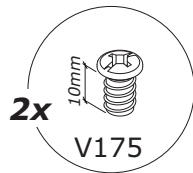
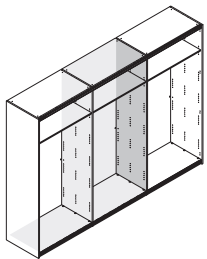
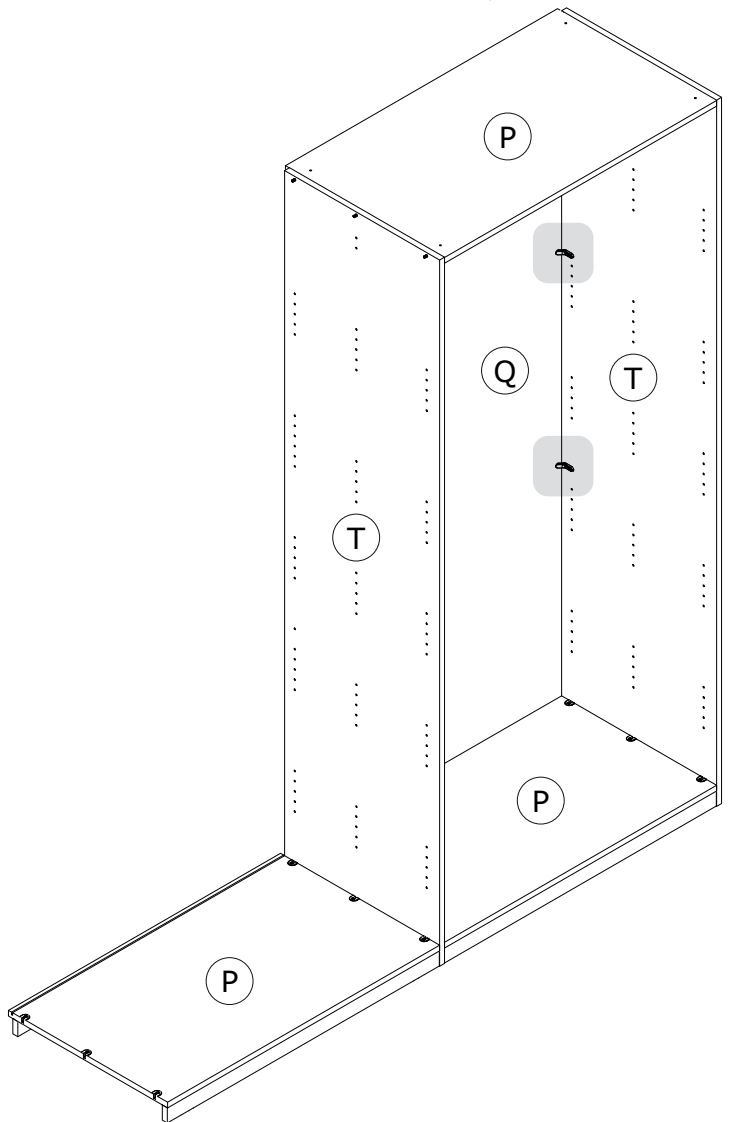
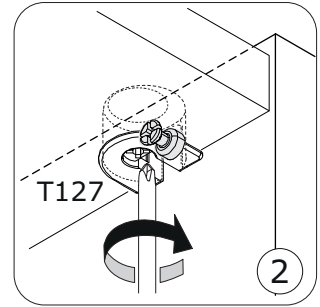
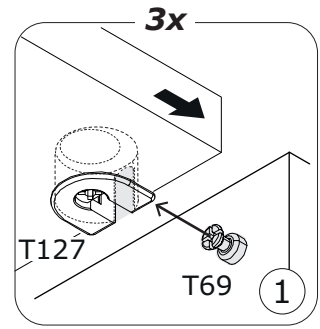
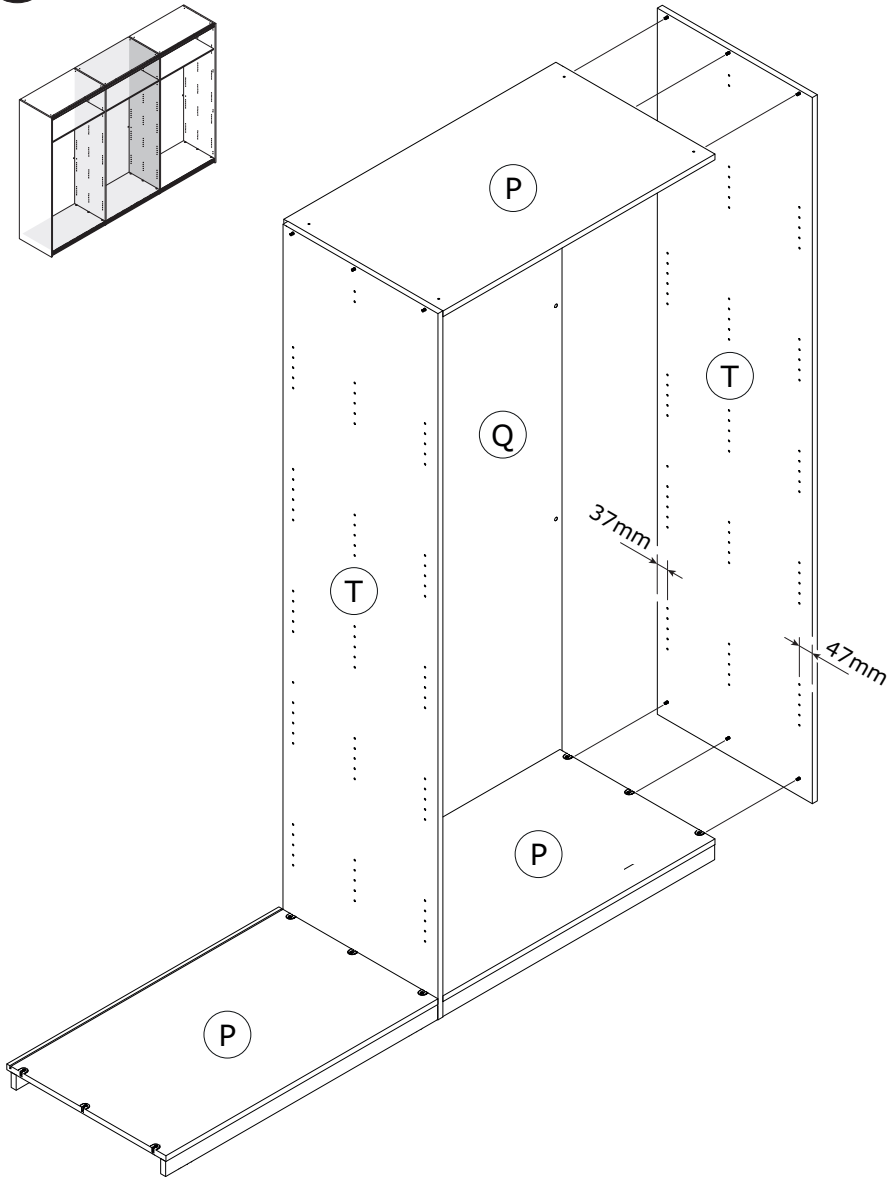
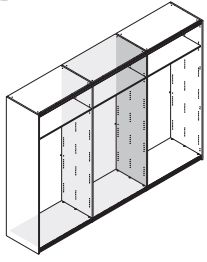
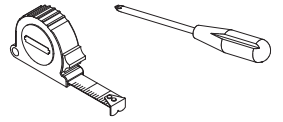


10

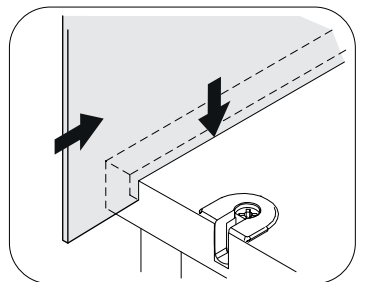
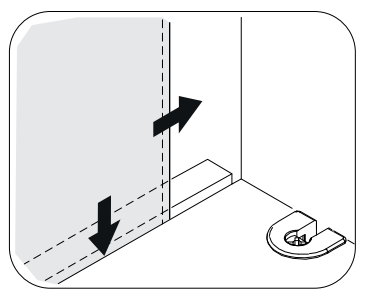
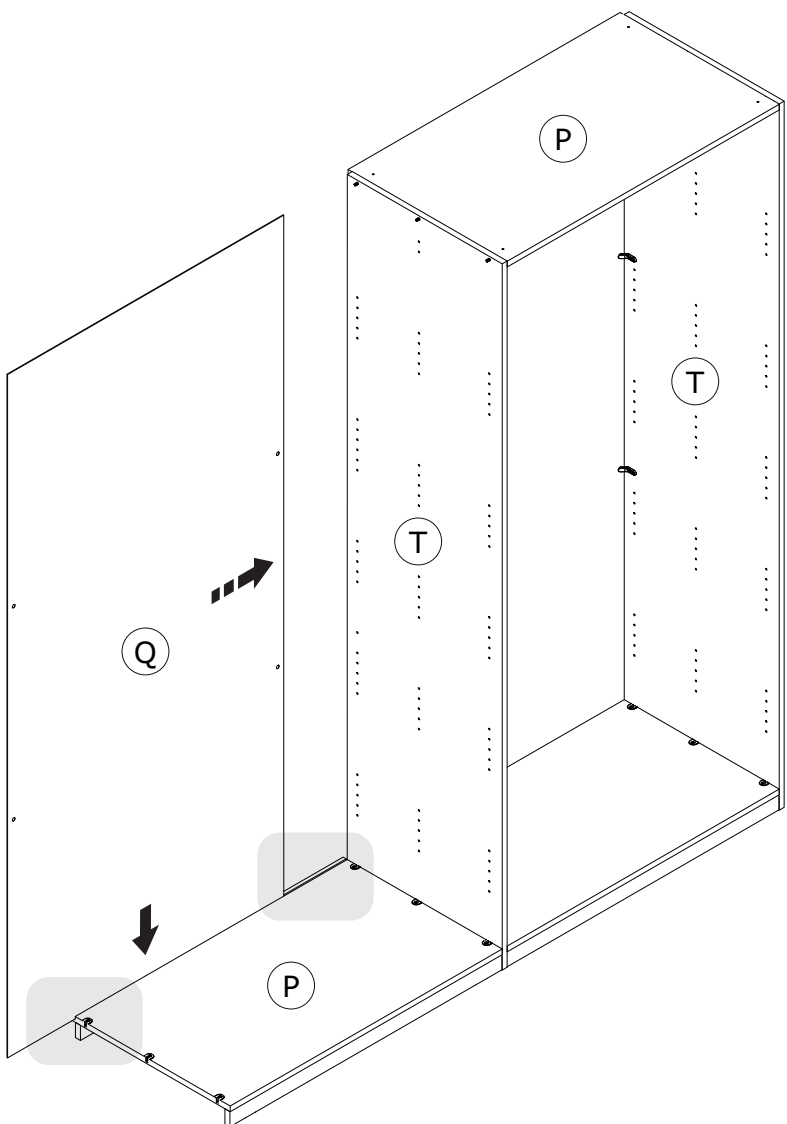
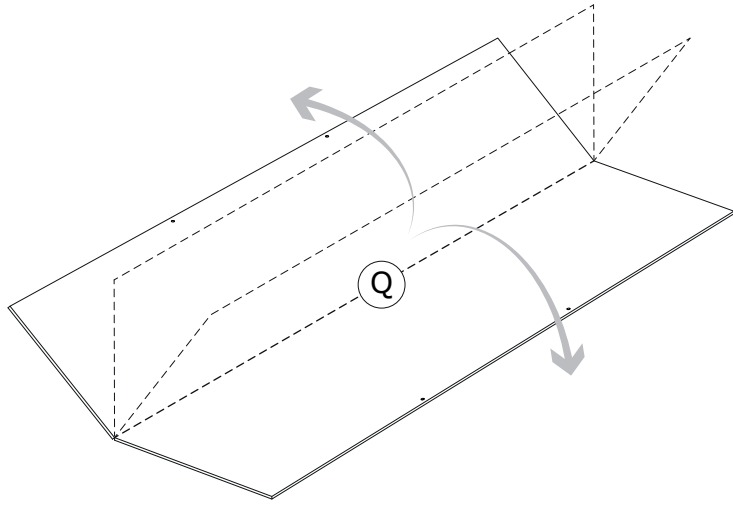
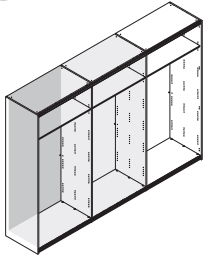


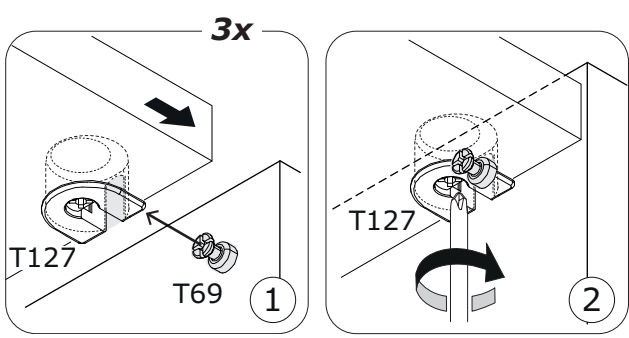
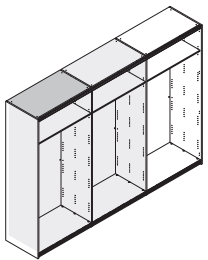
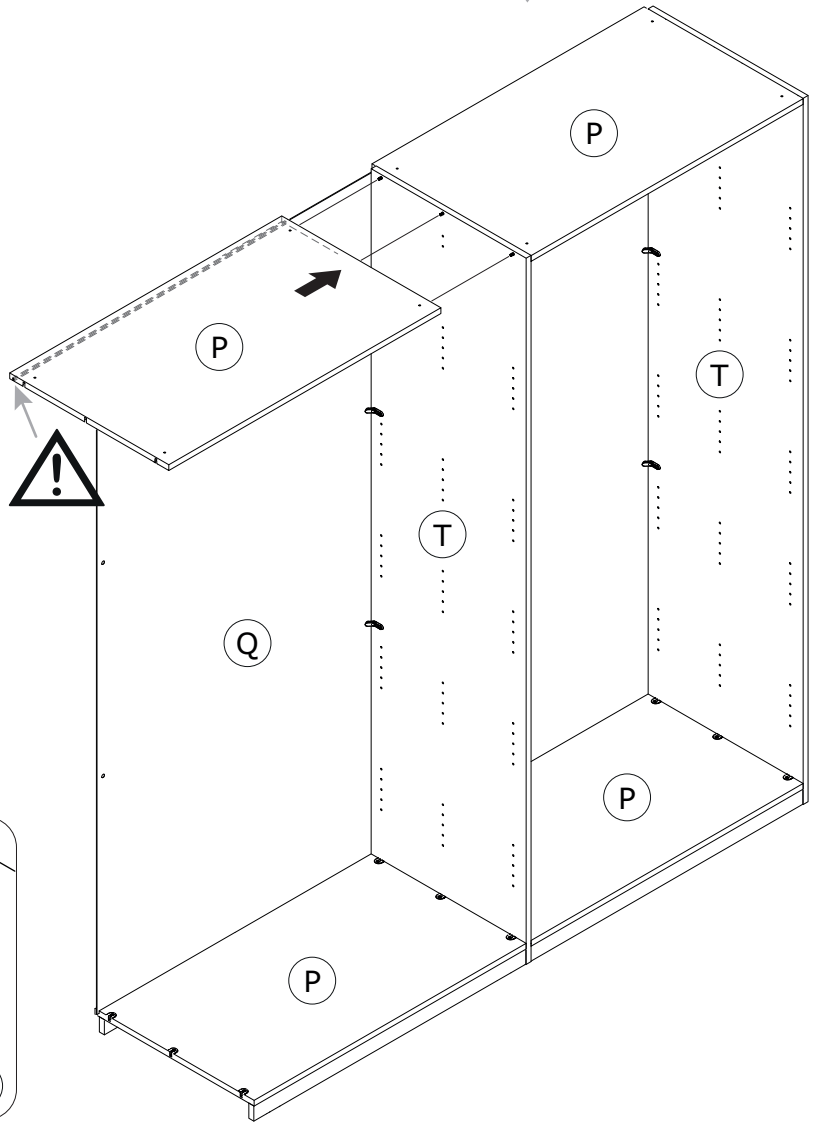
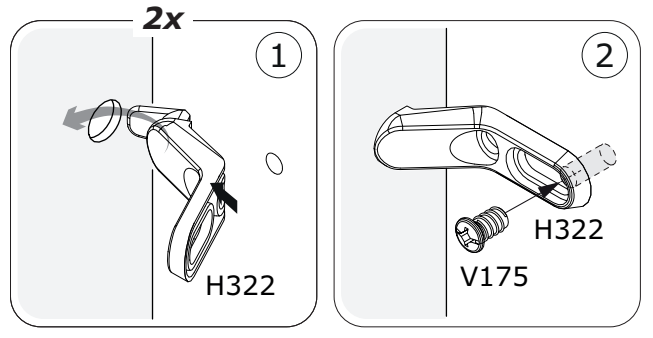
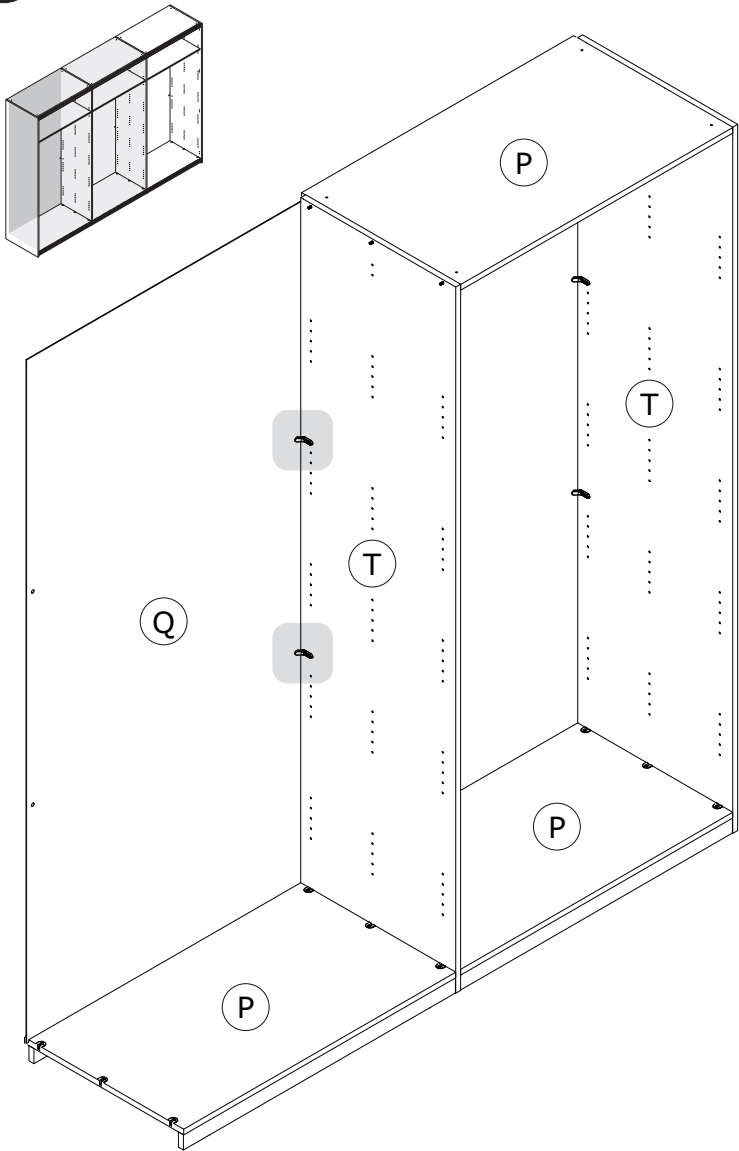
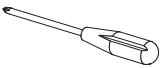


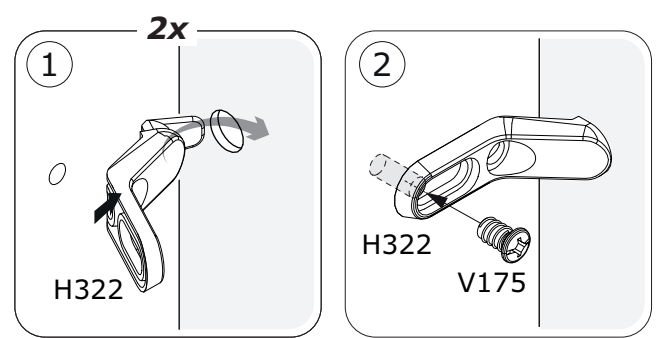
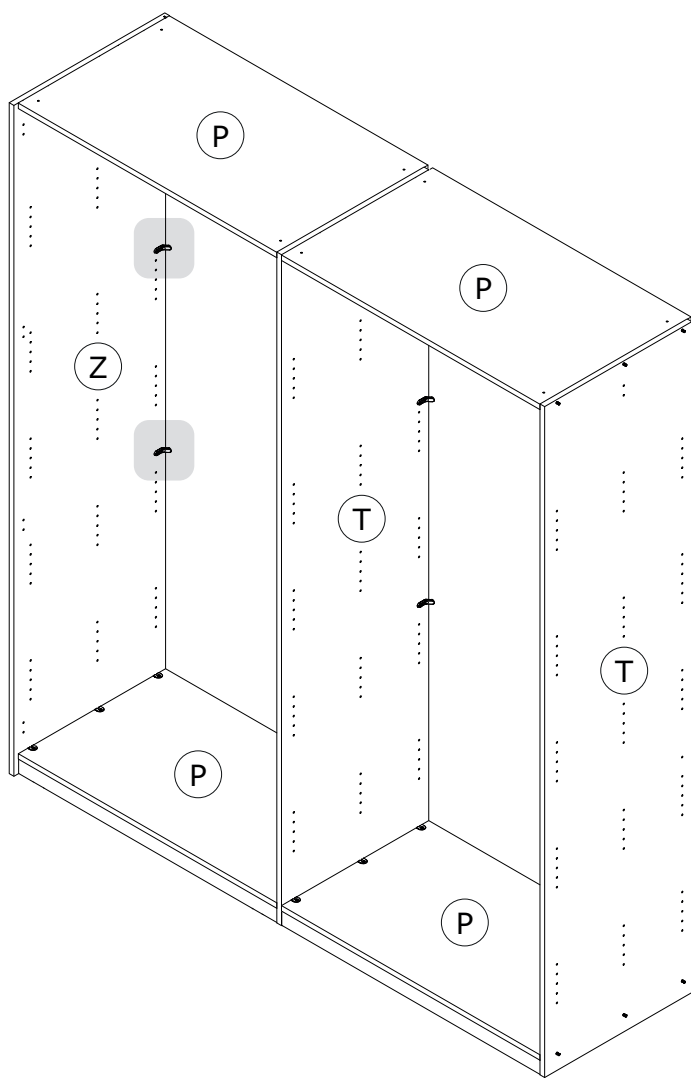
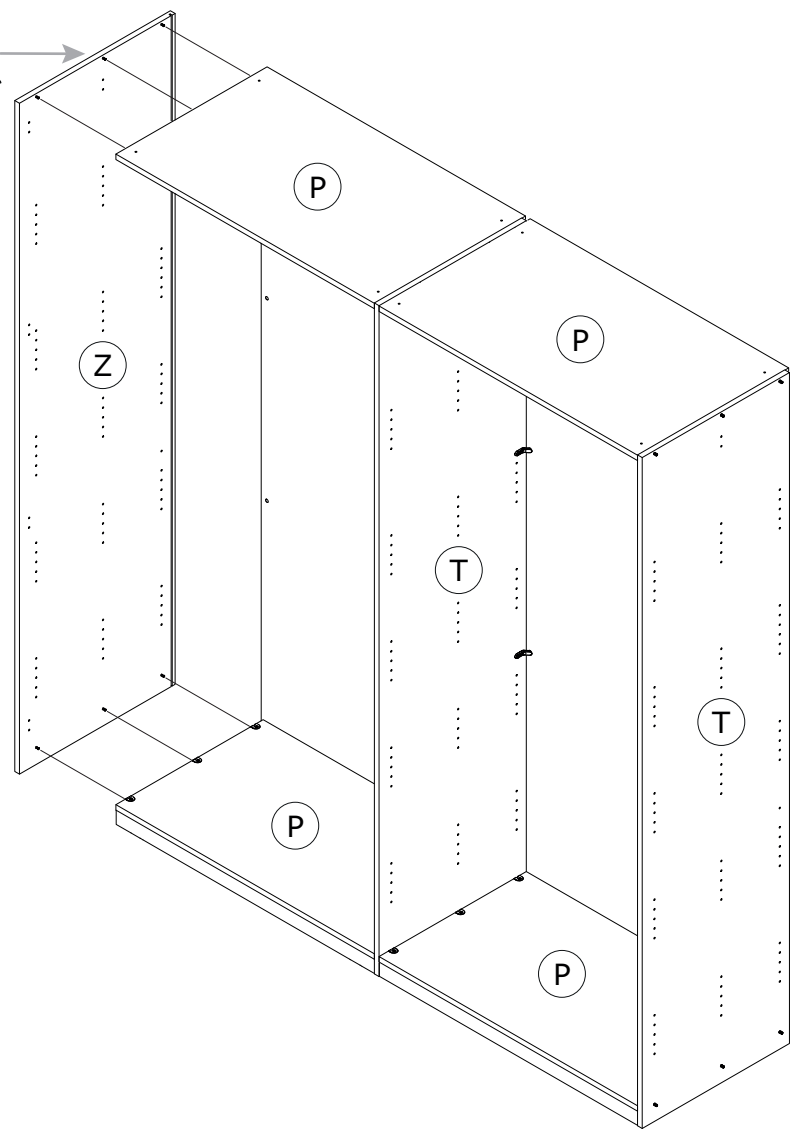
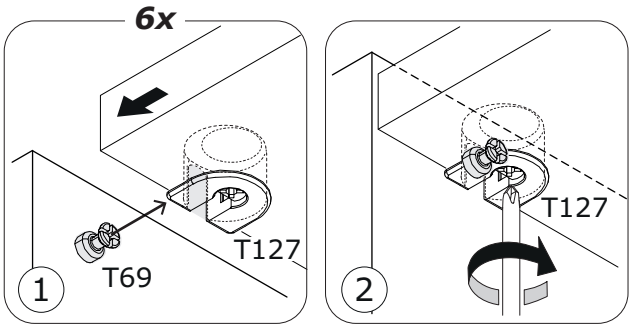
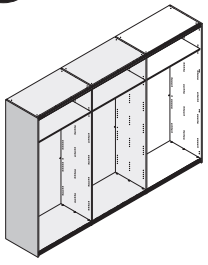
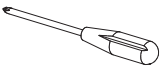
12



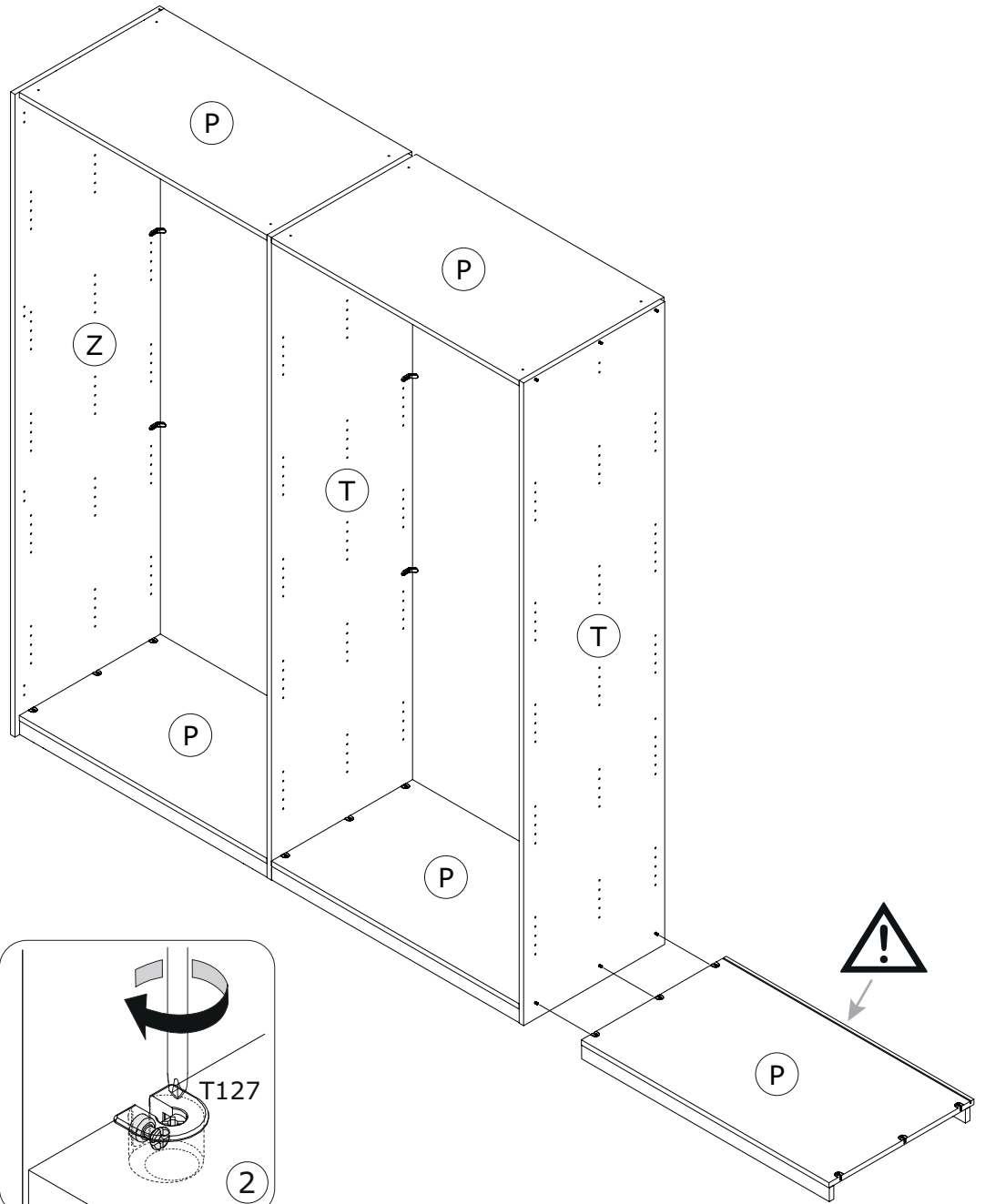
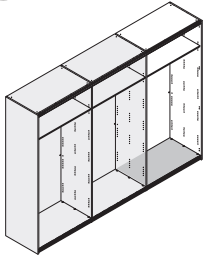
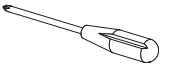
13



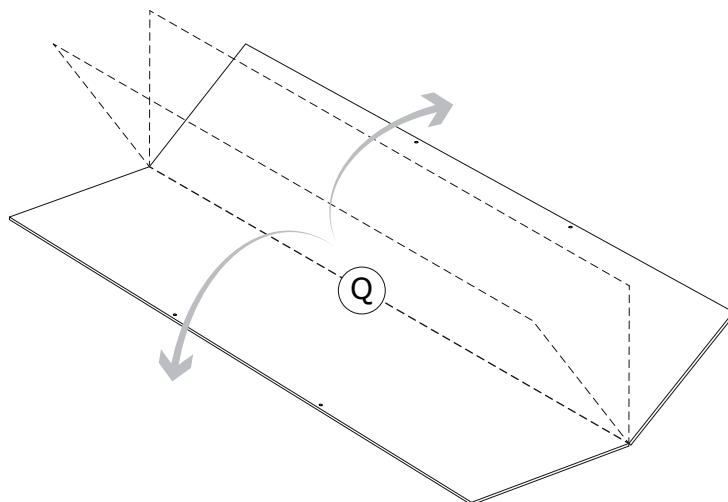


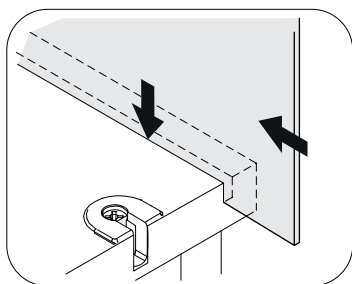
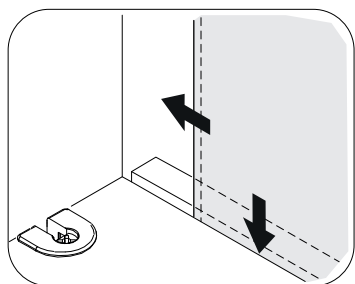
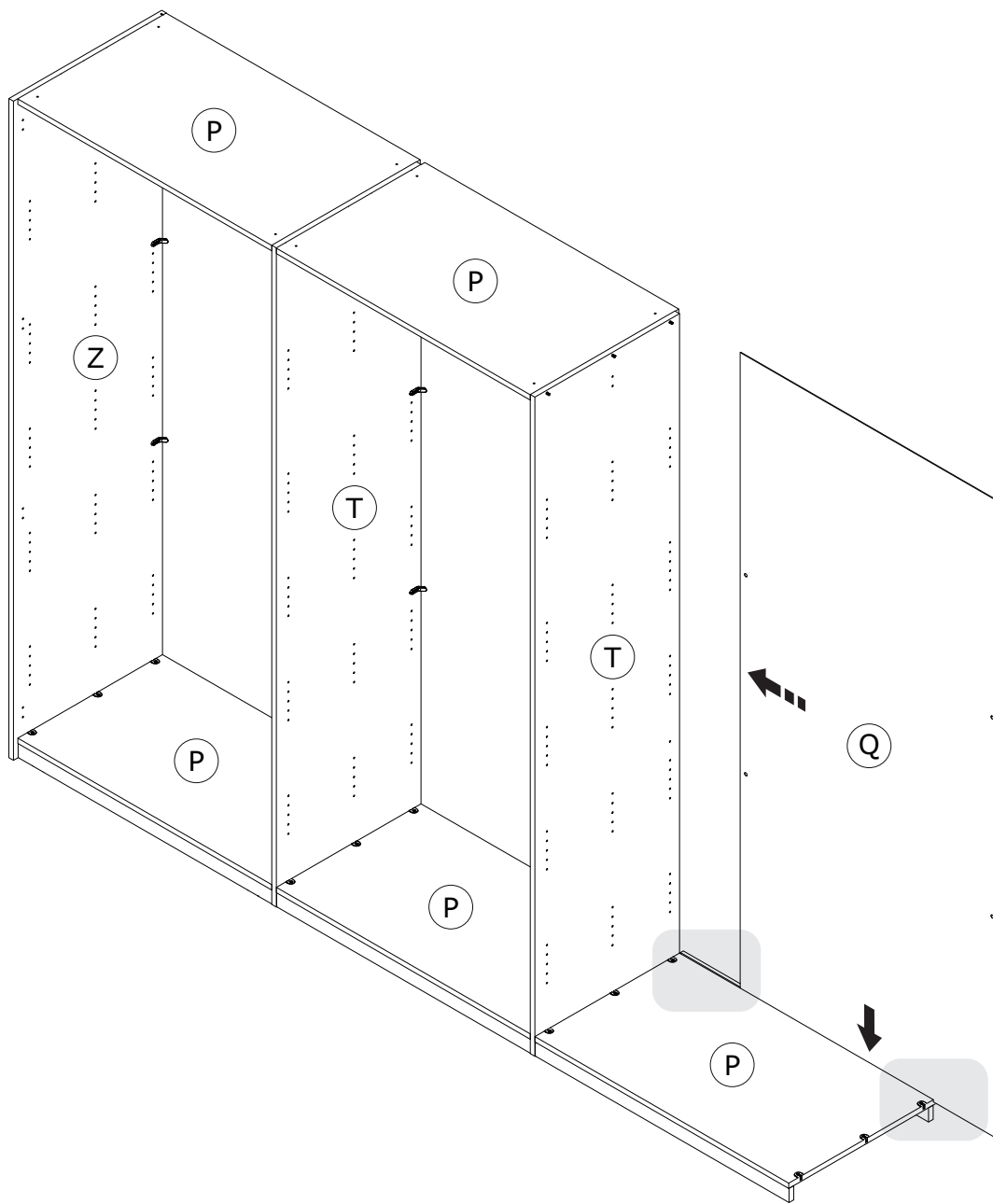
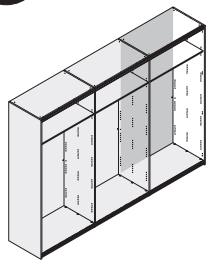


16

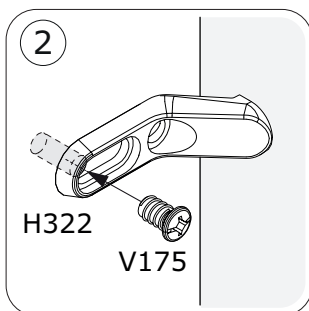
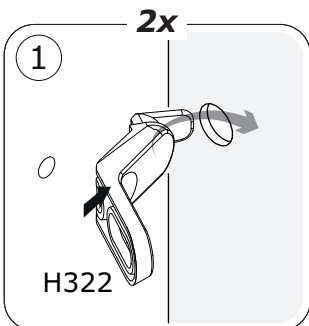
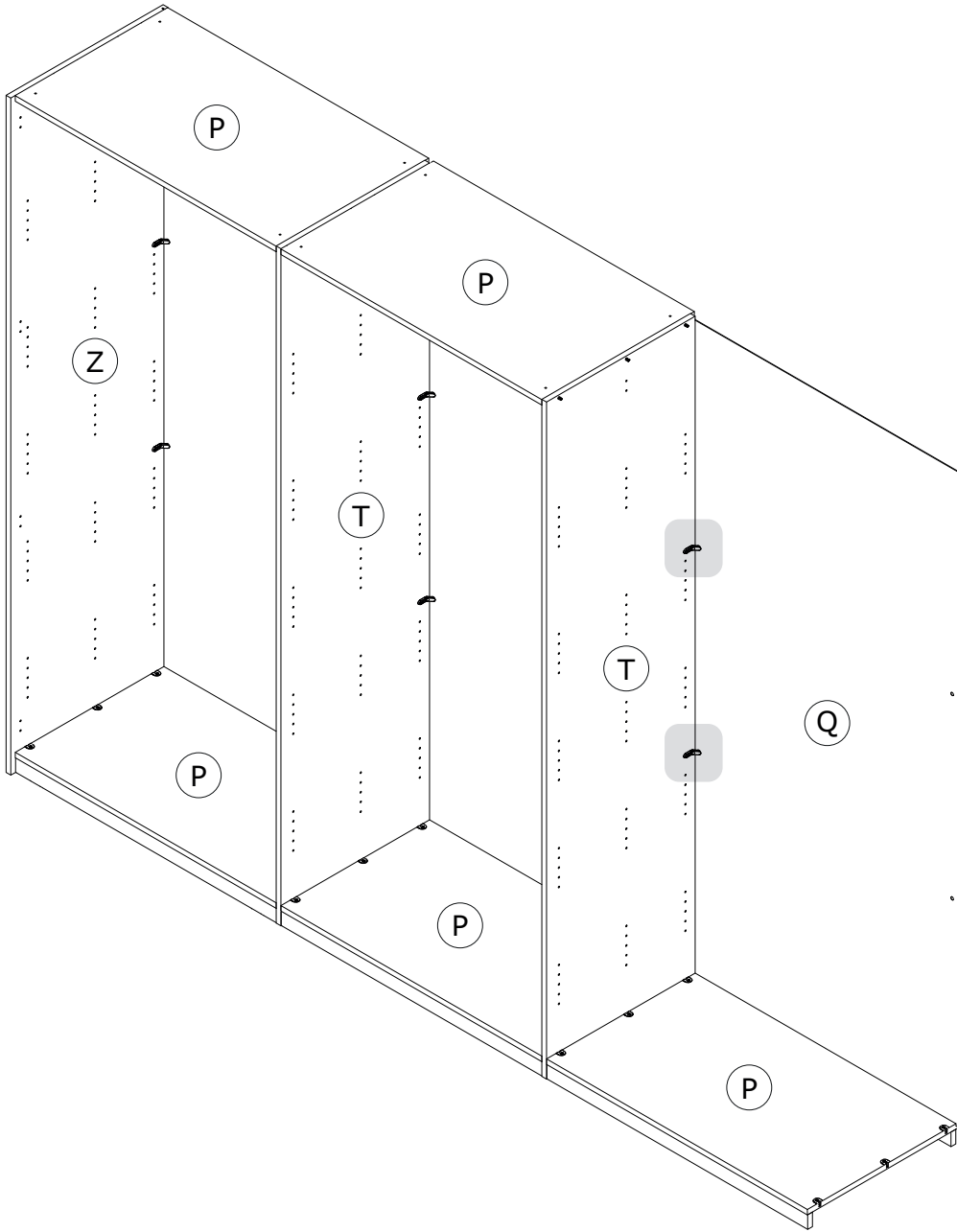
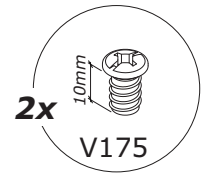
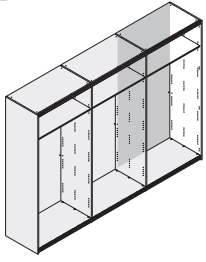
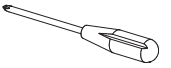


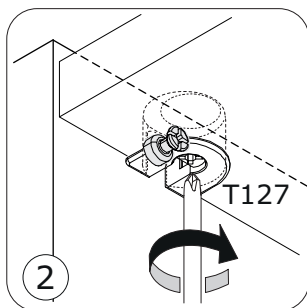
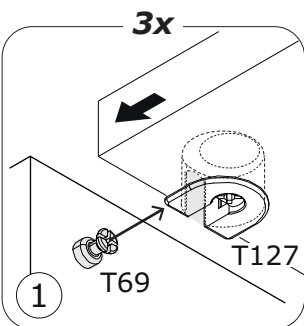
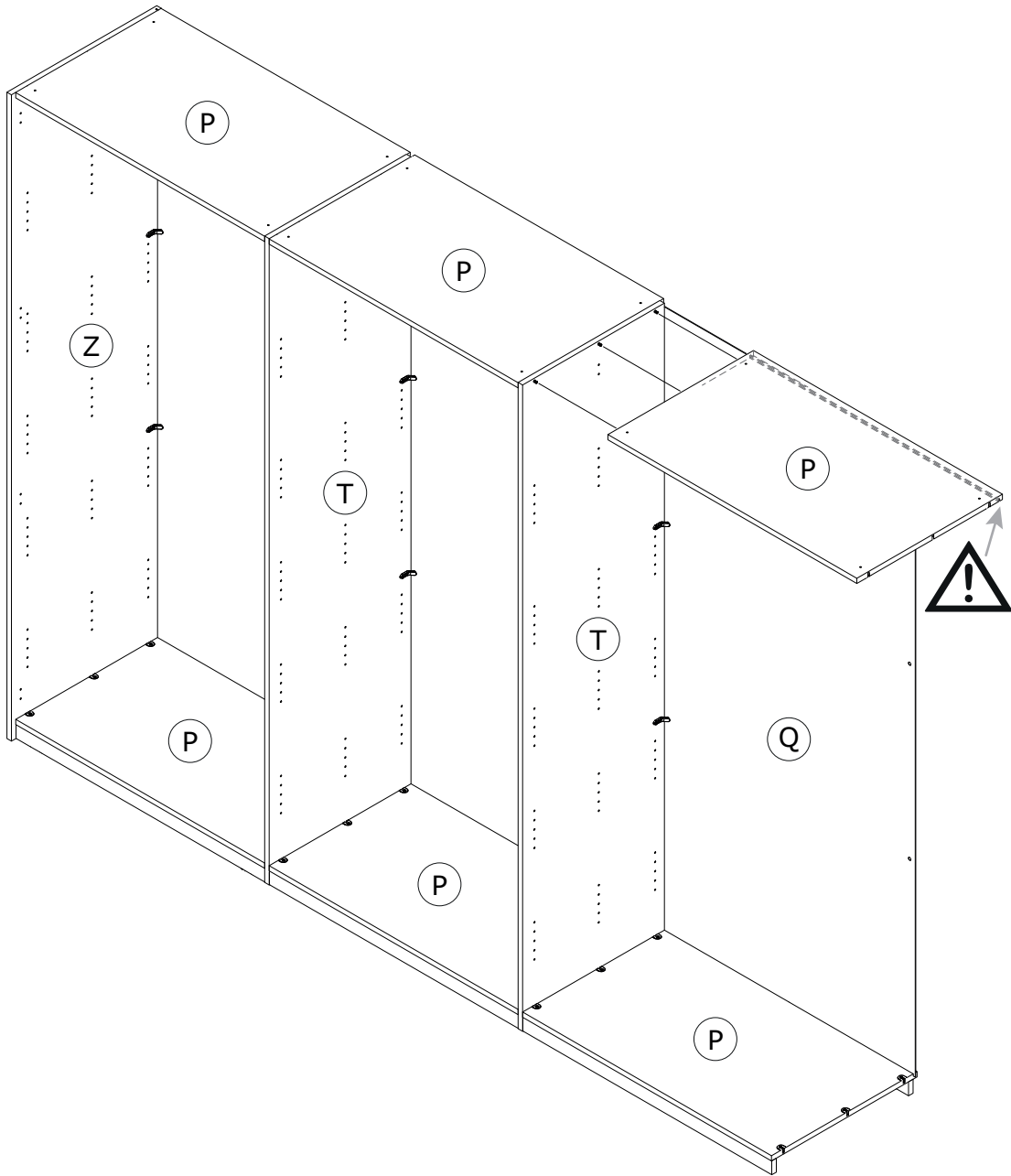
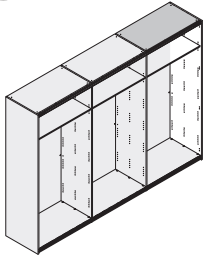
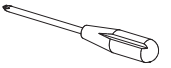
17

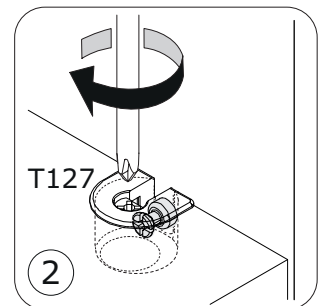
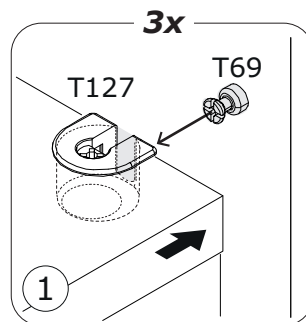
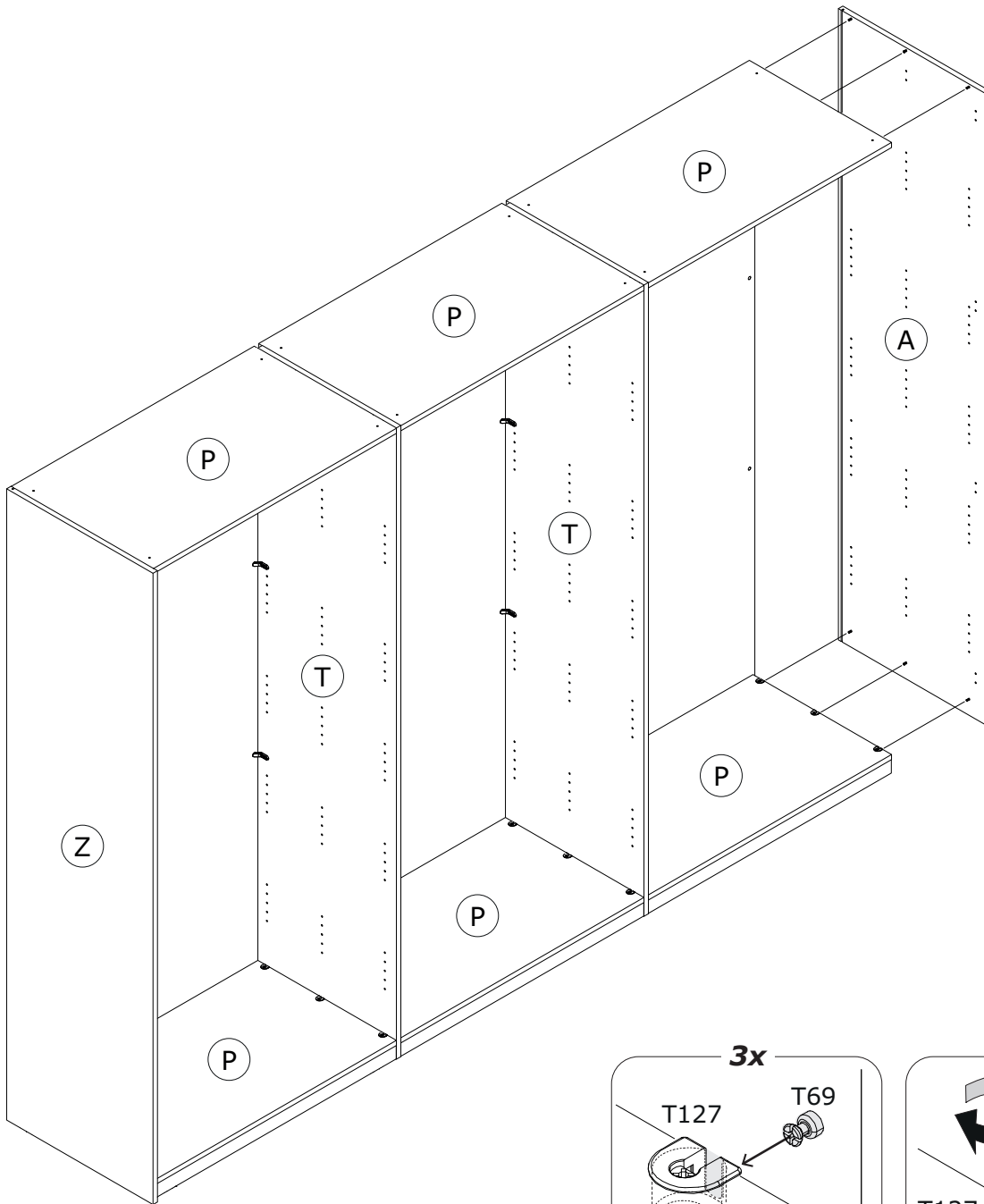
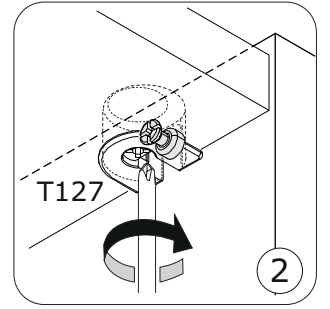
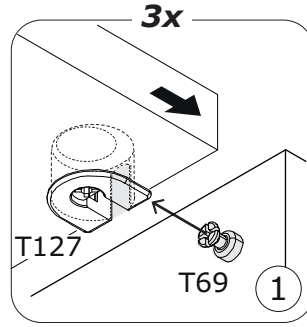
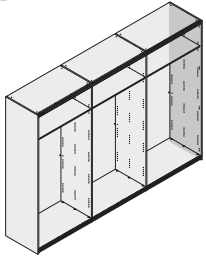
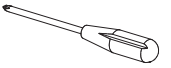


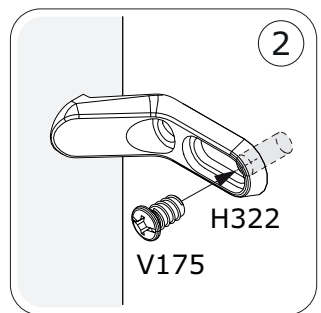
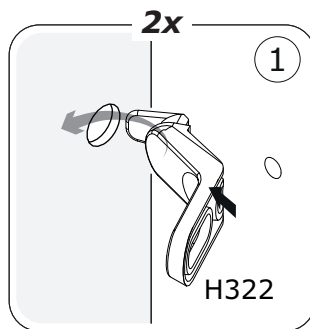
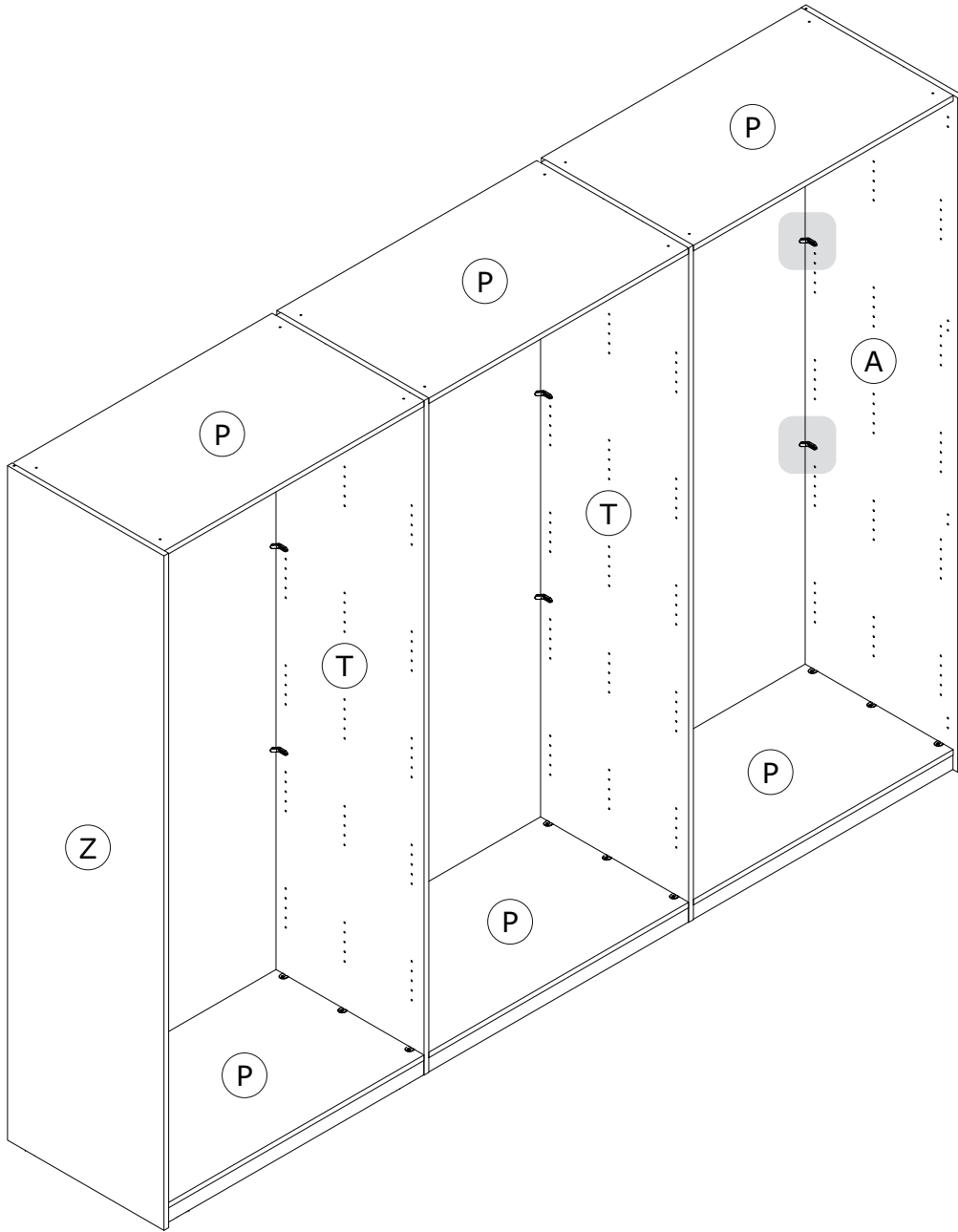
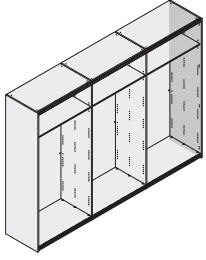
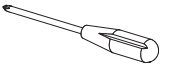


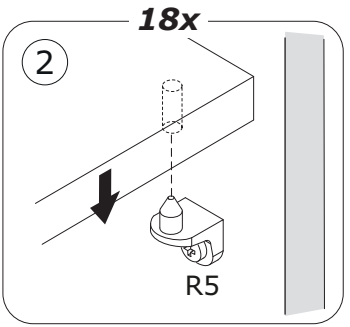
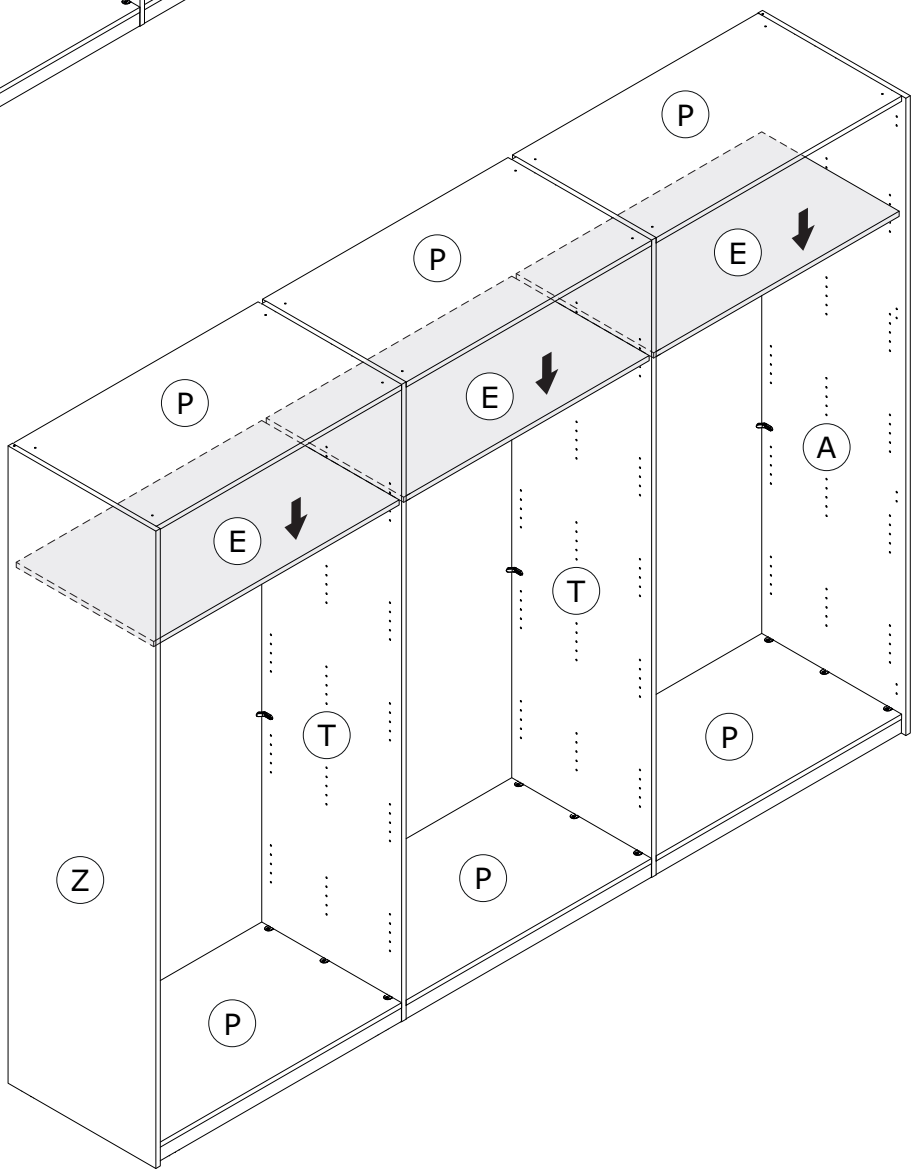
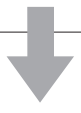
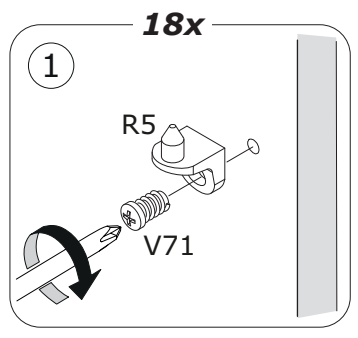
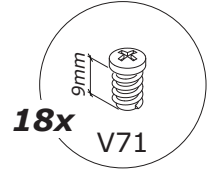
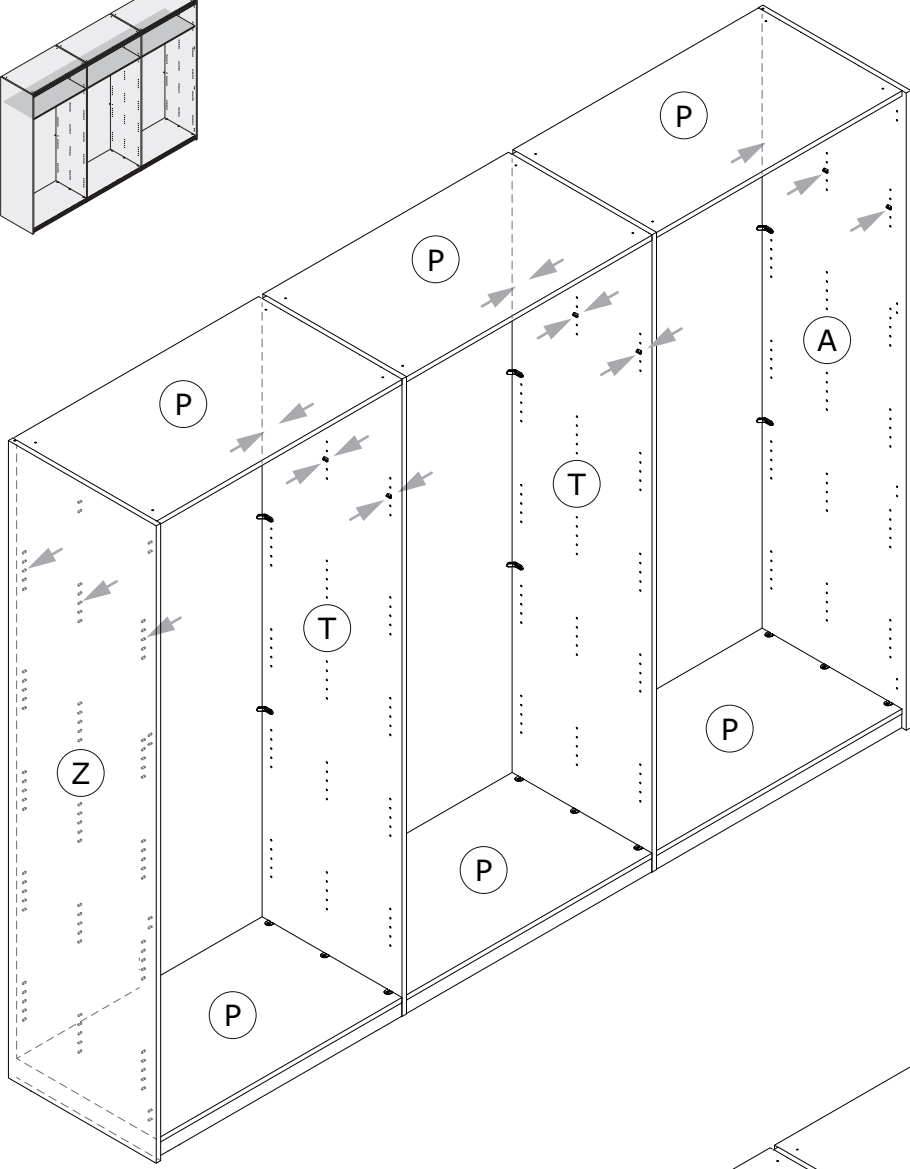
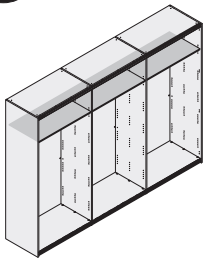
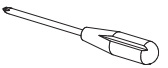
19

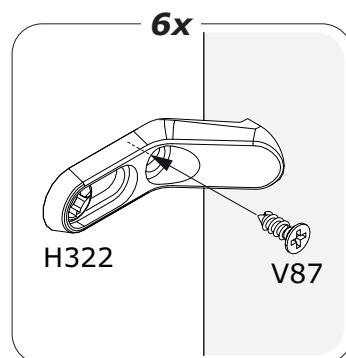
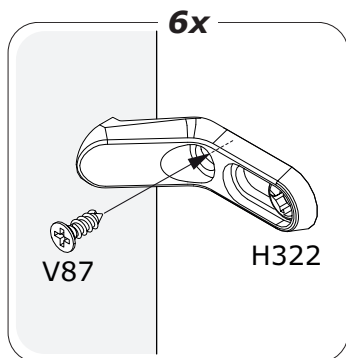
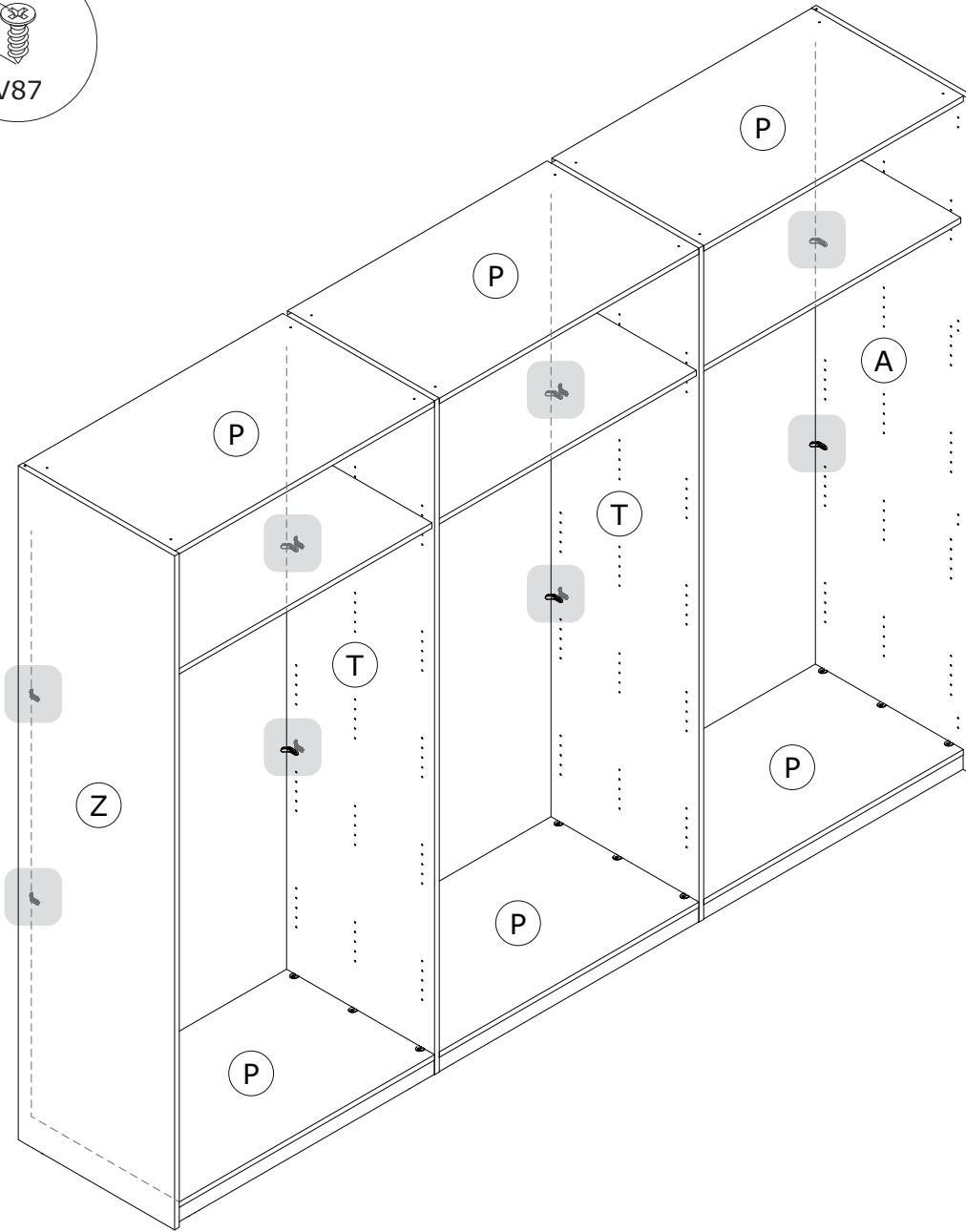
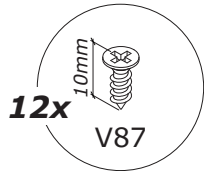
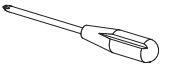


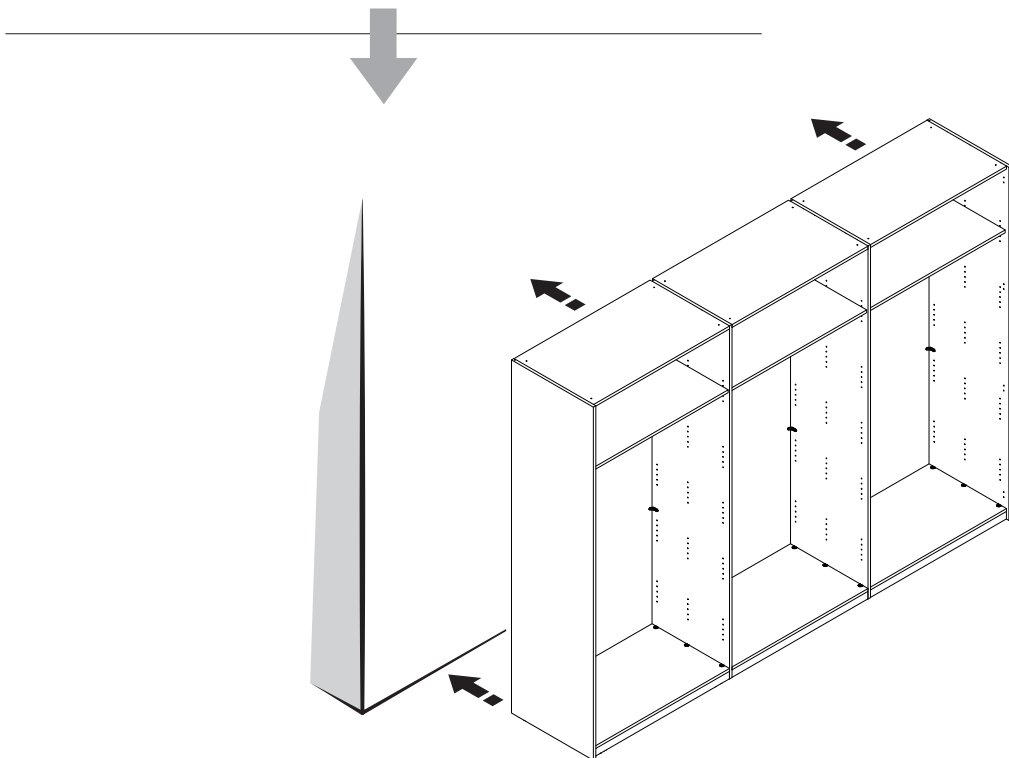
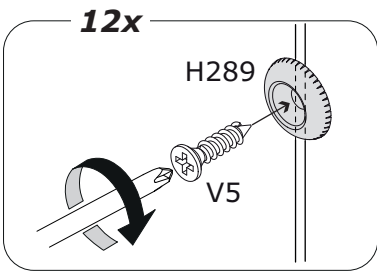
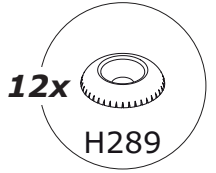
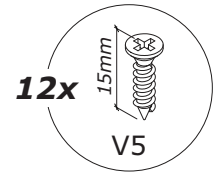
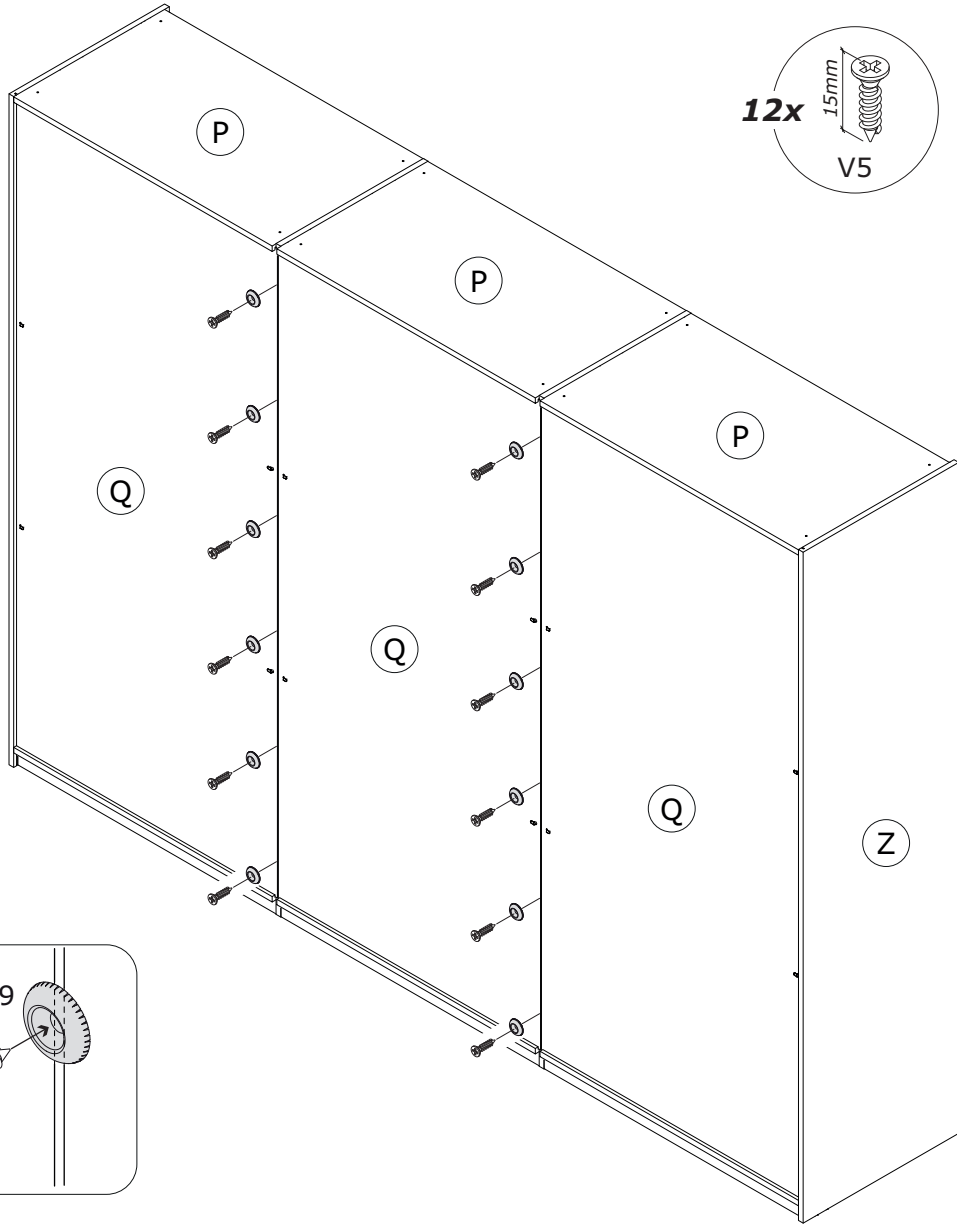
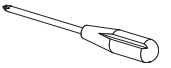


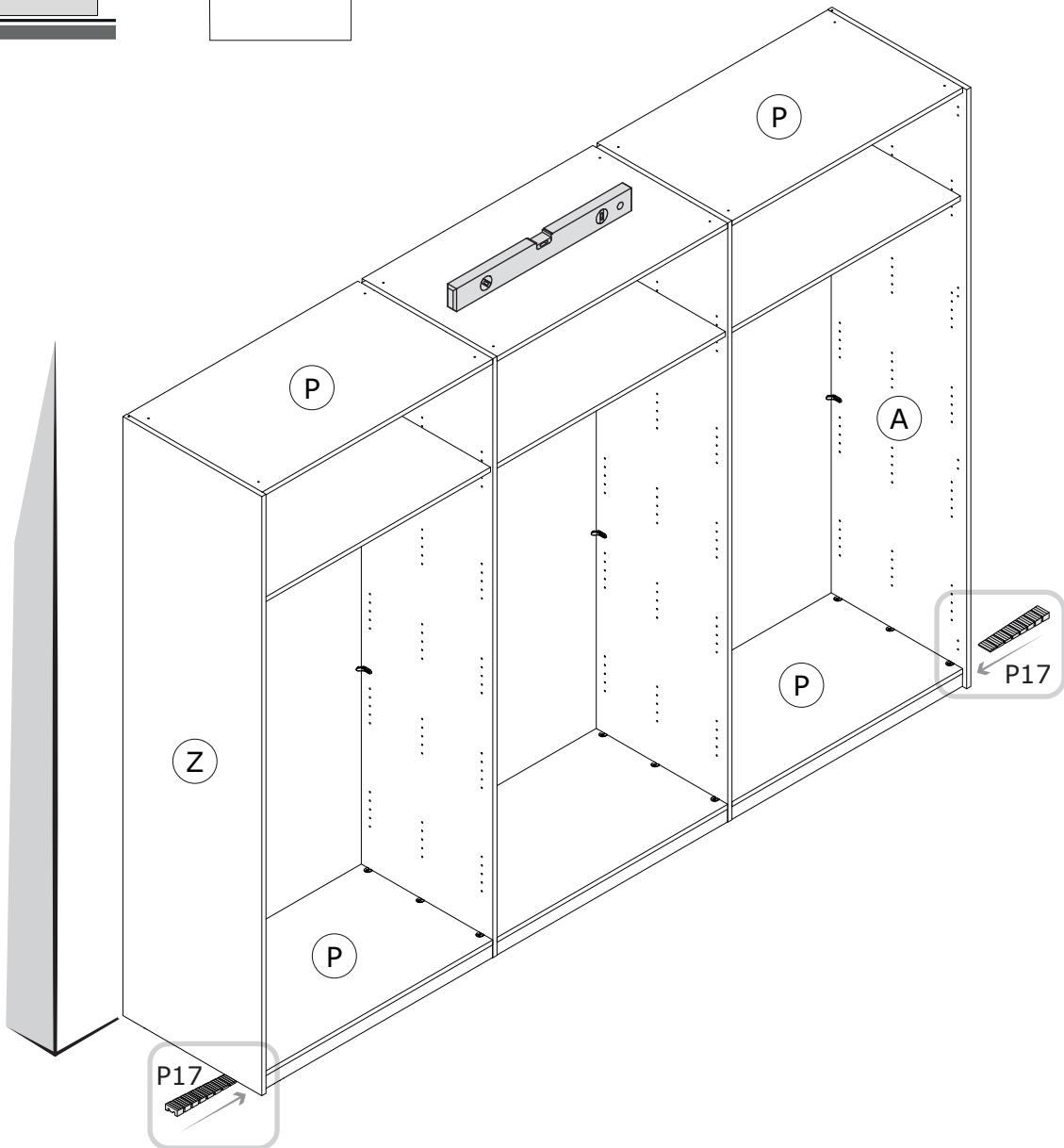
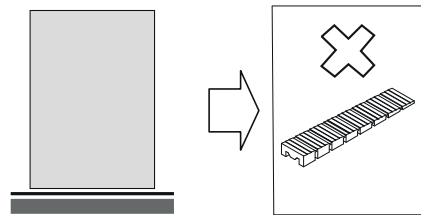
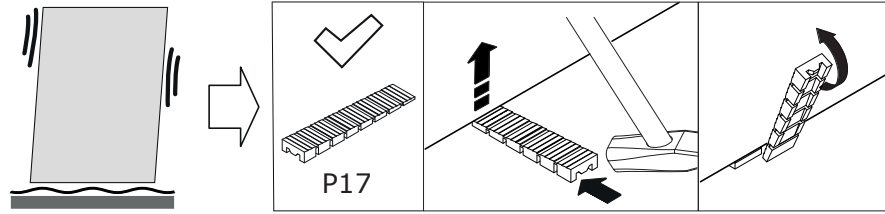
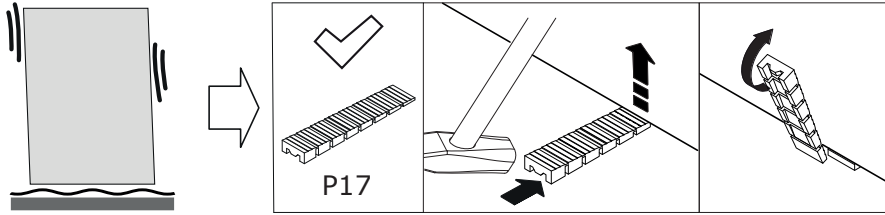
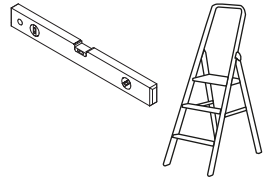


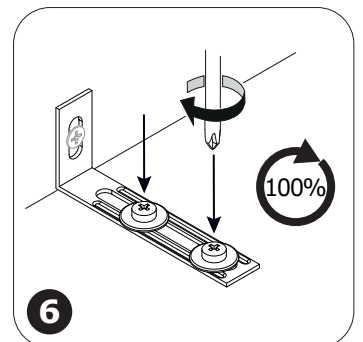
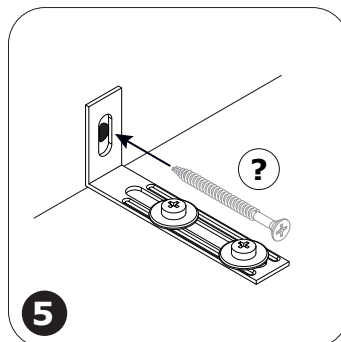
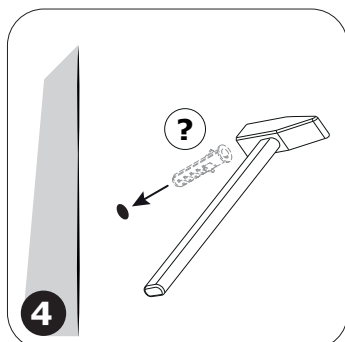
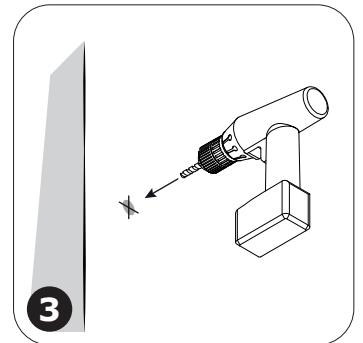
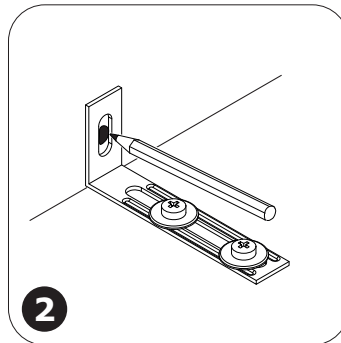
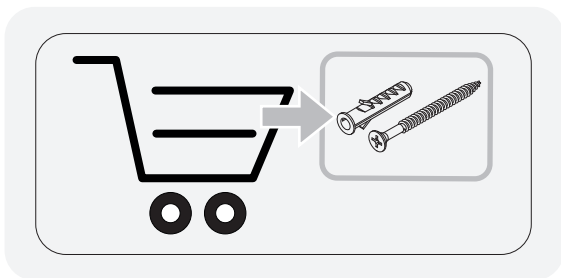
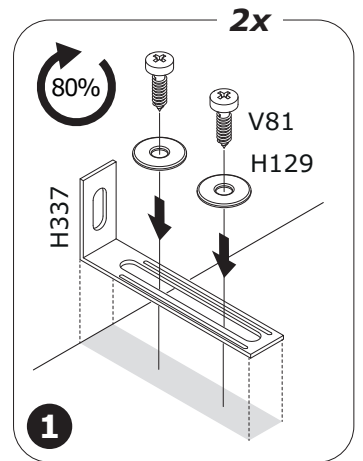
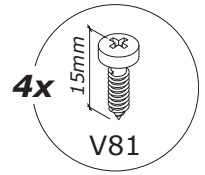
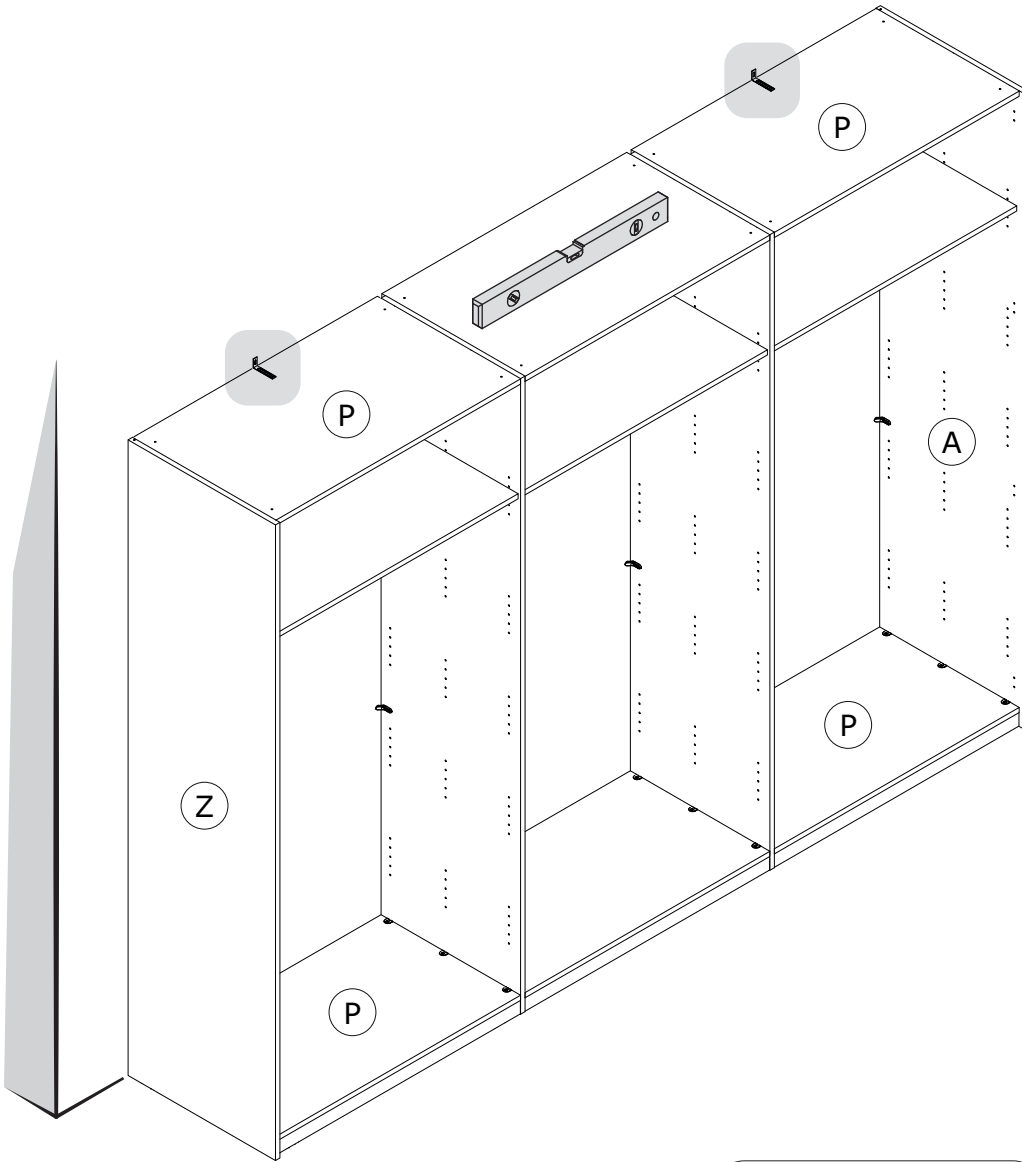
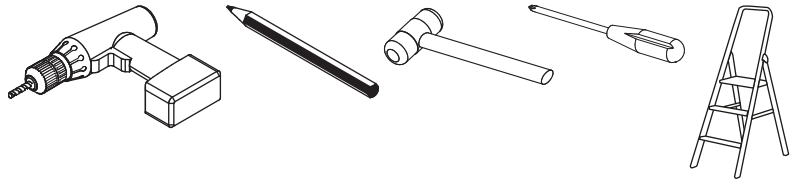


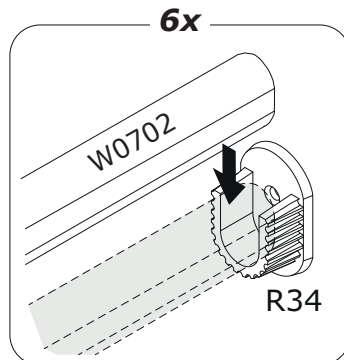
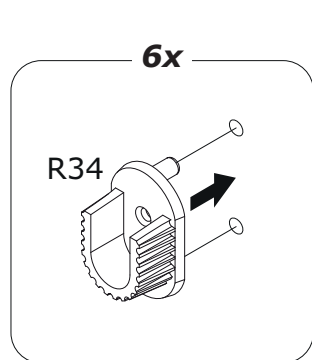
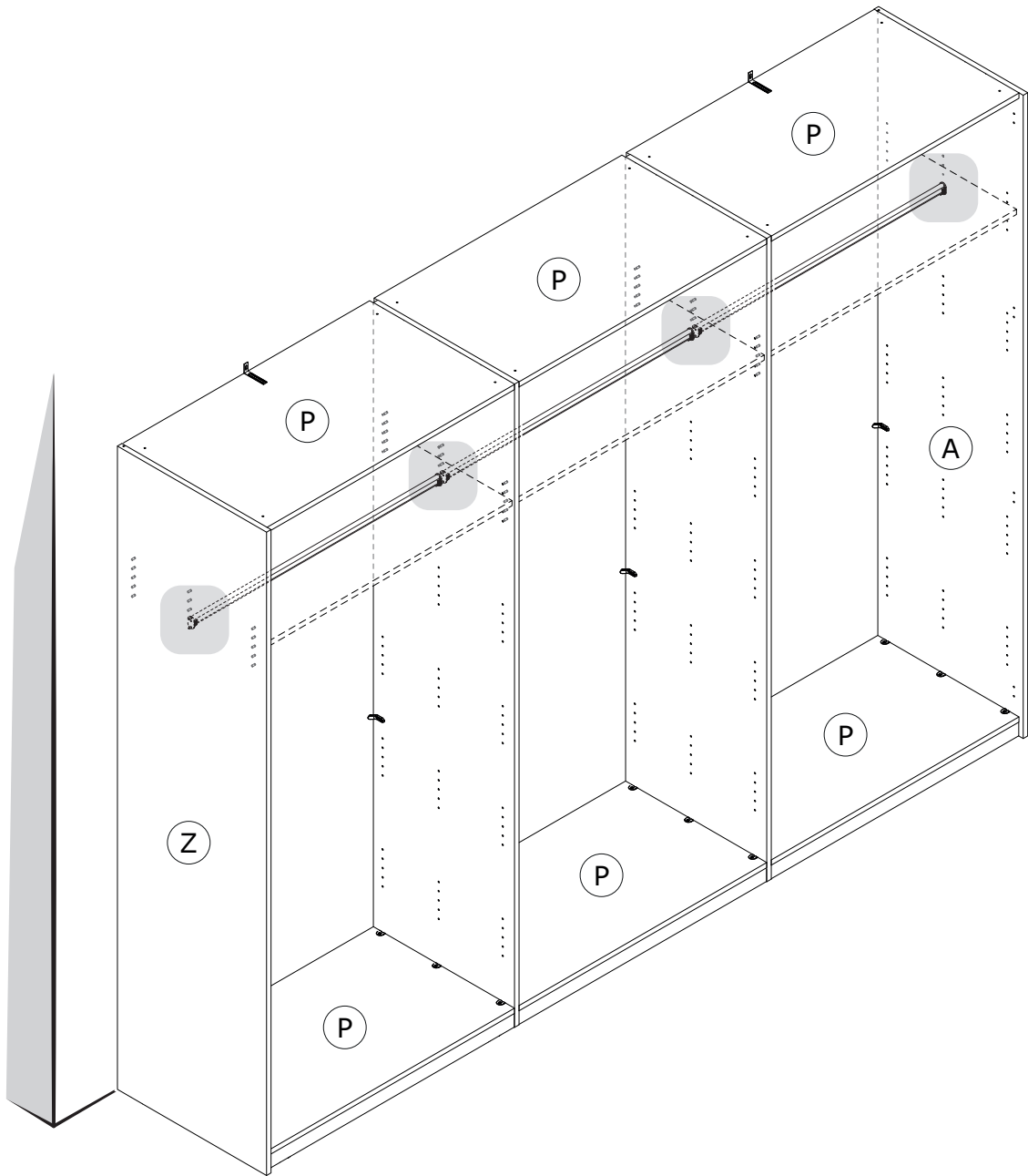


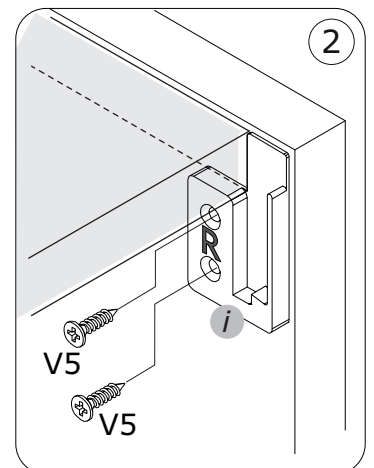
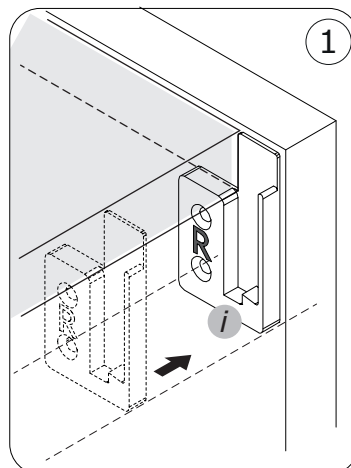
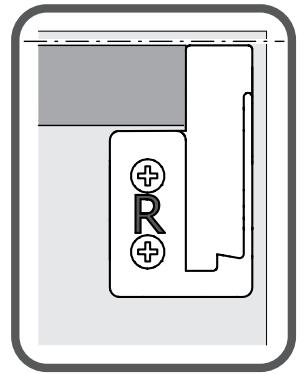
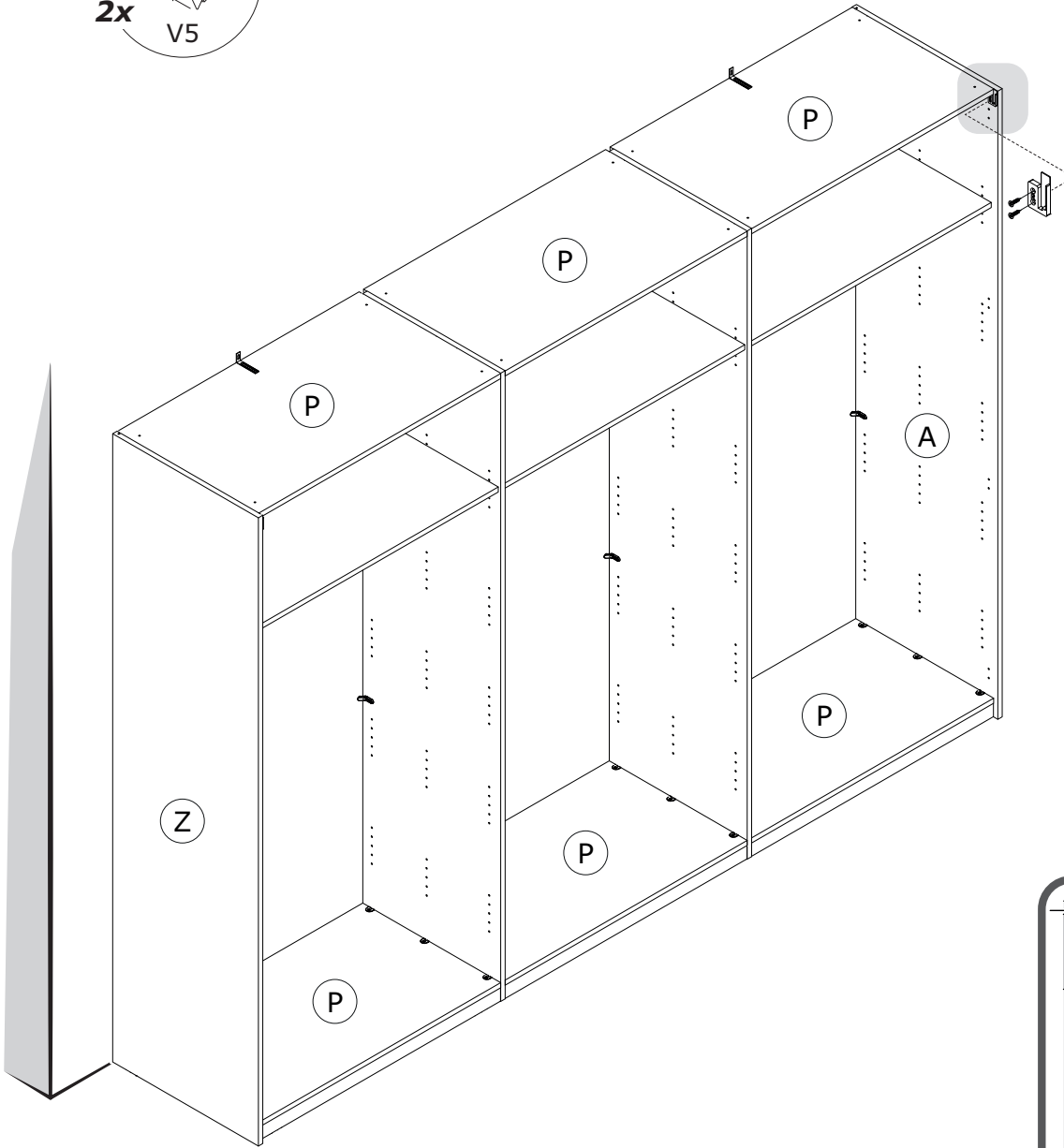
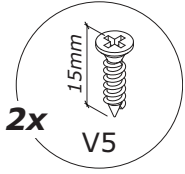
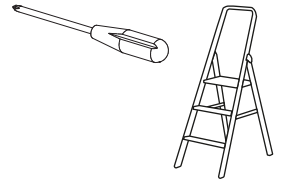


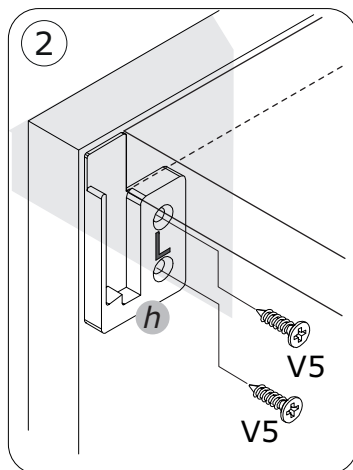
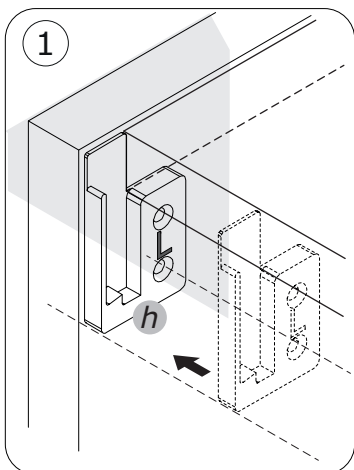
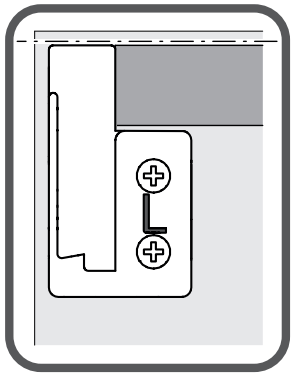
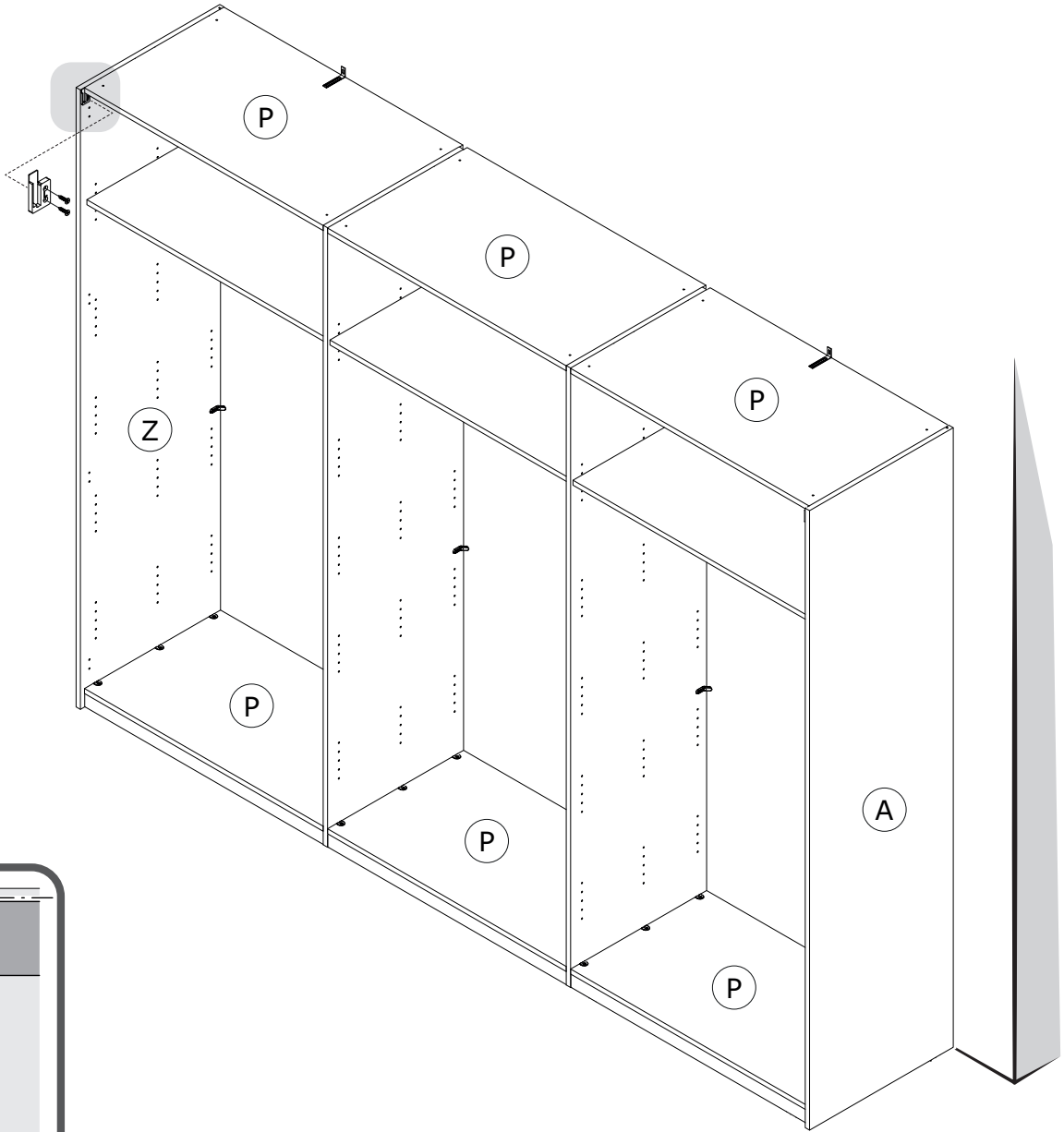
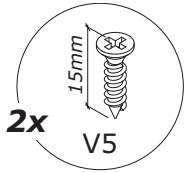
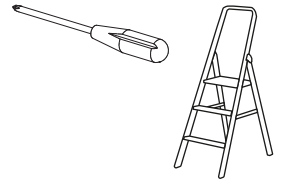


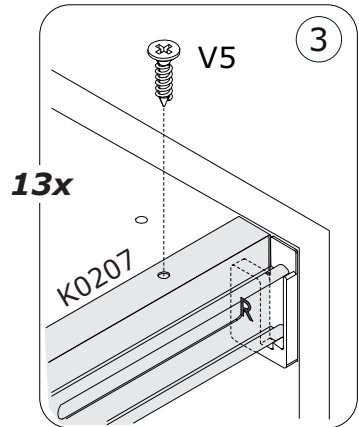
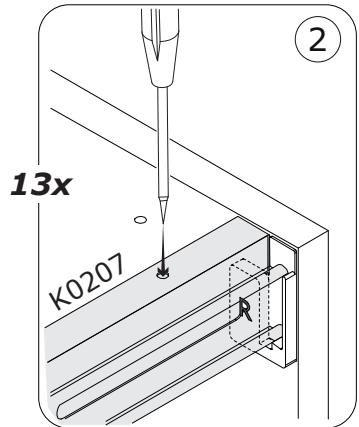
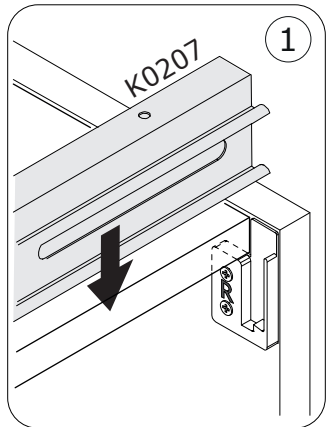
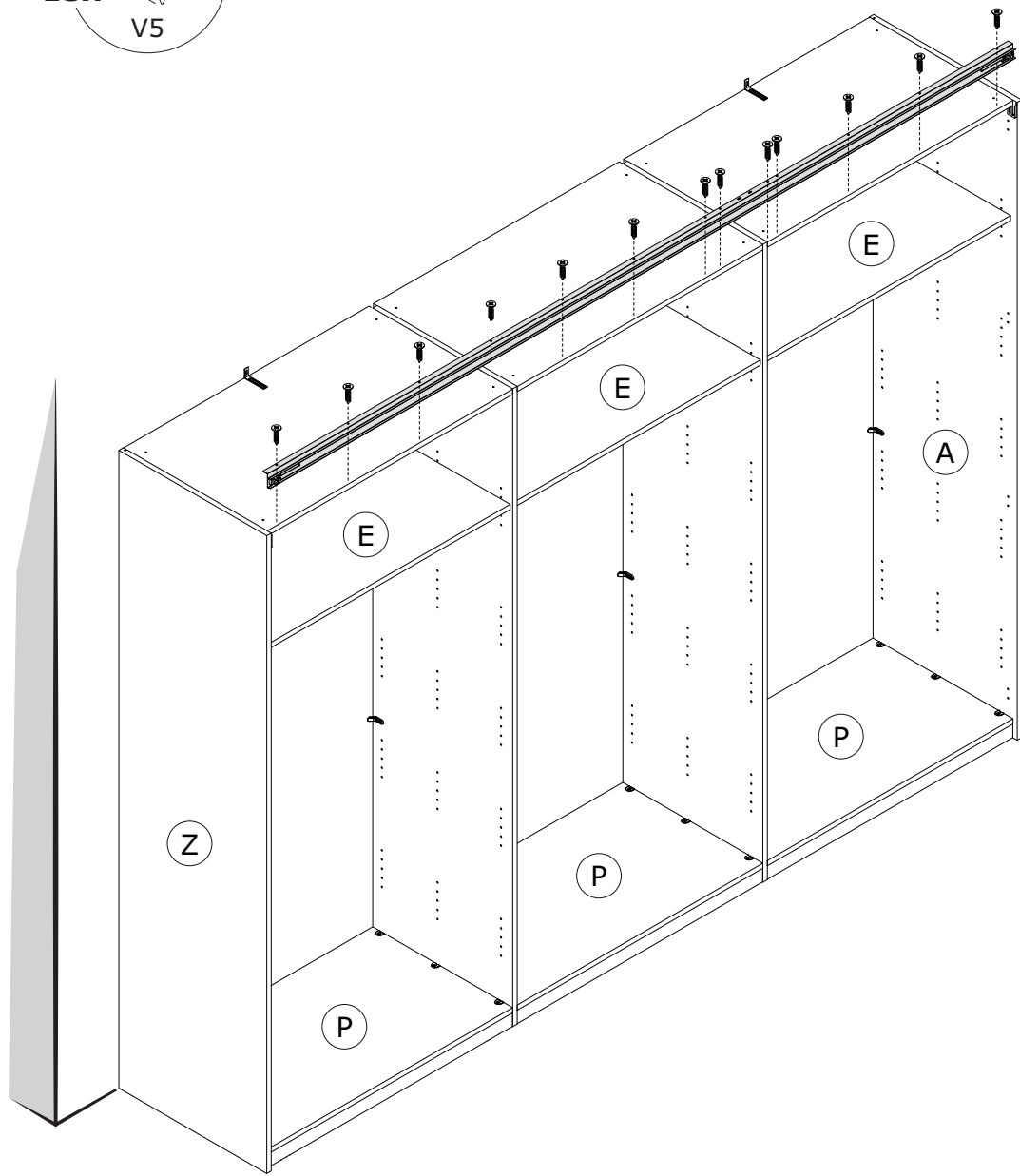
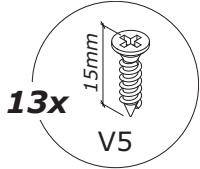
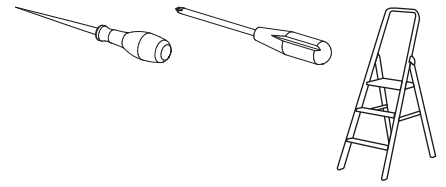


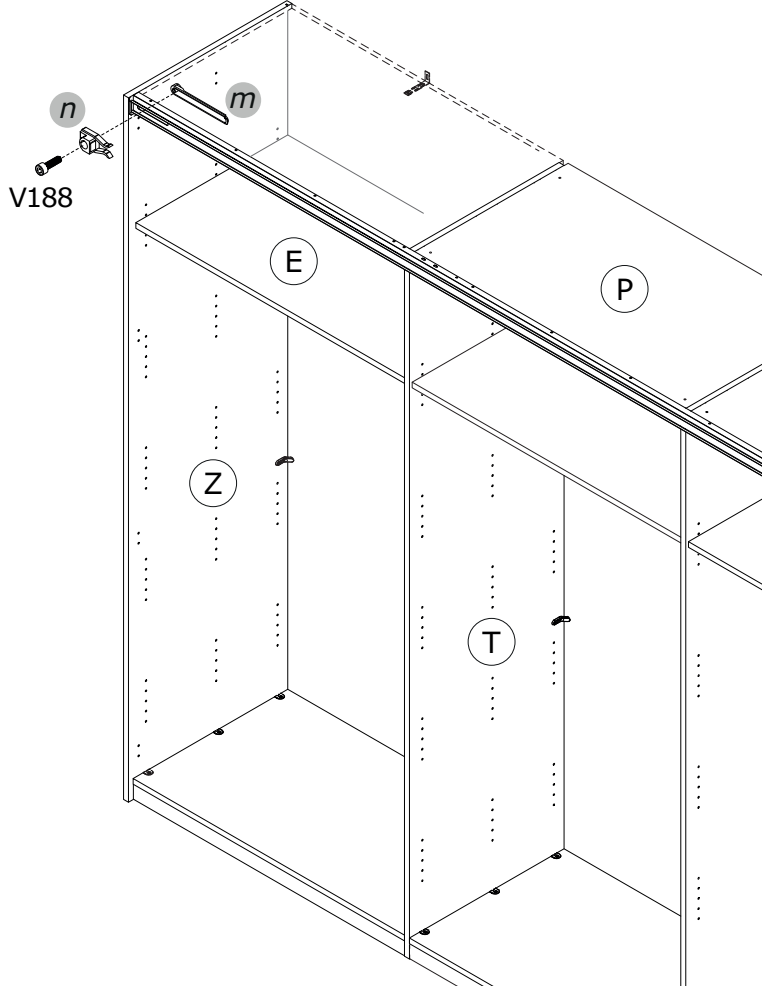
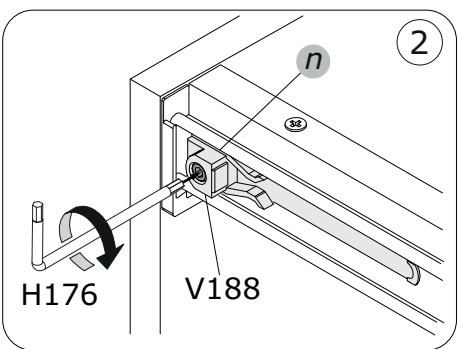
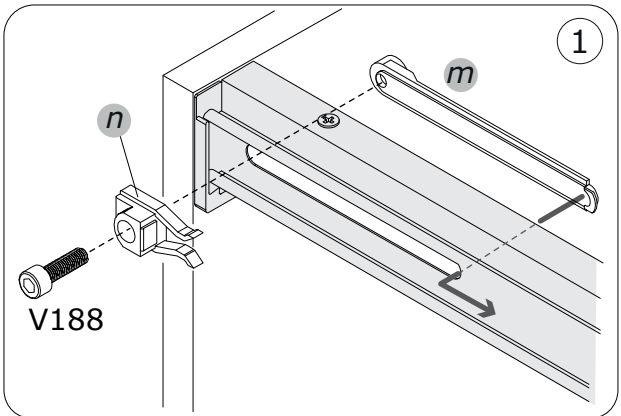
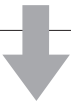
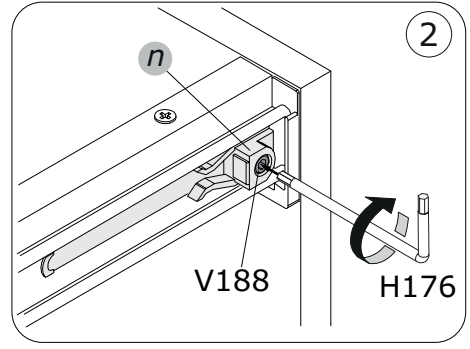
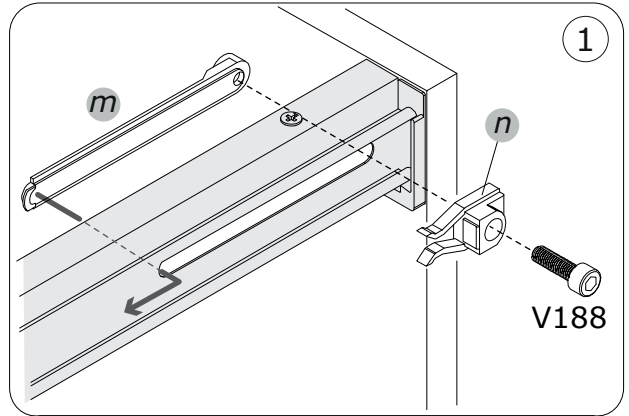
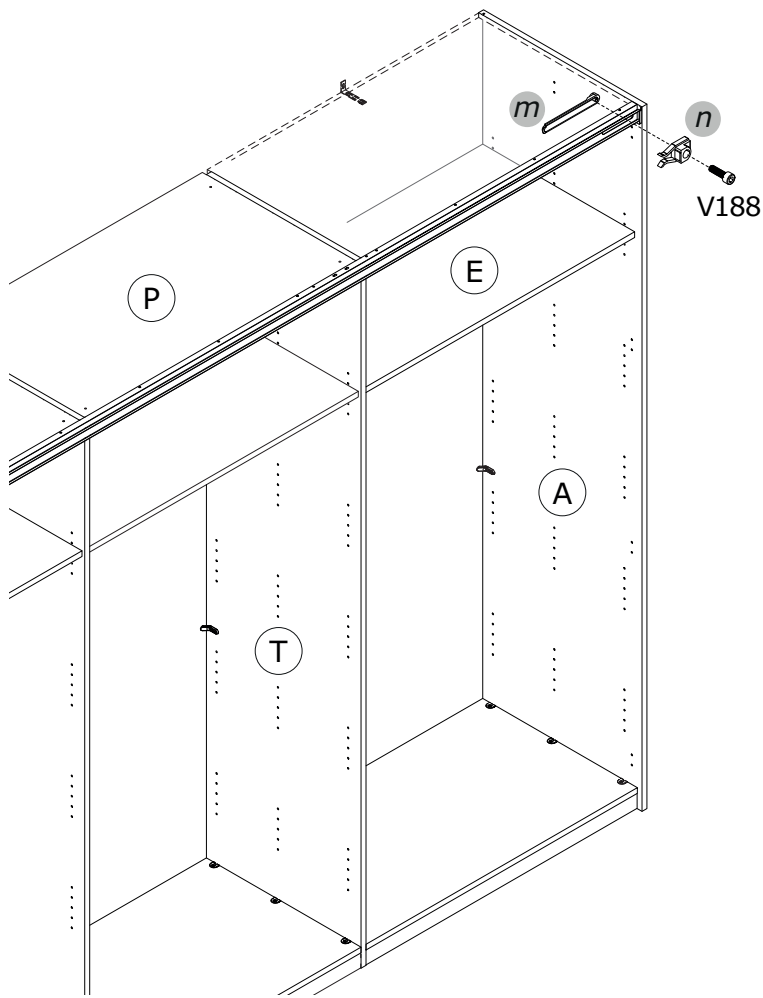


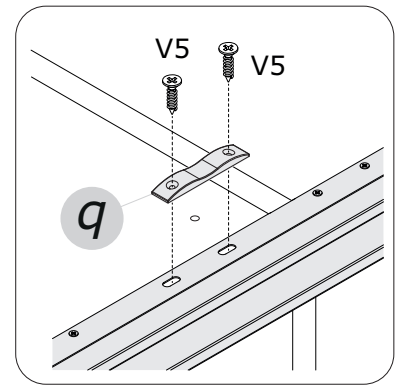
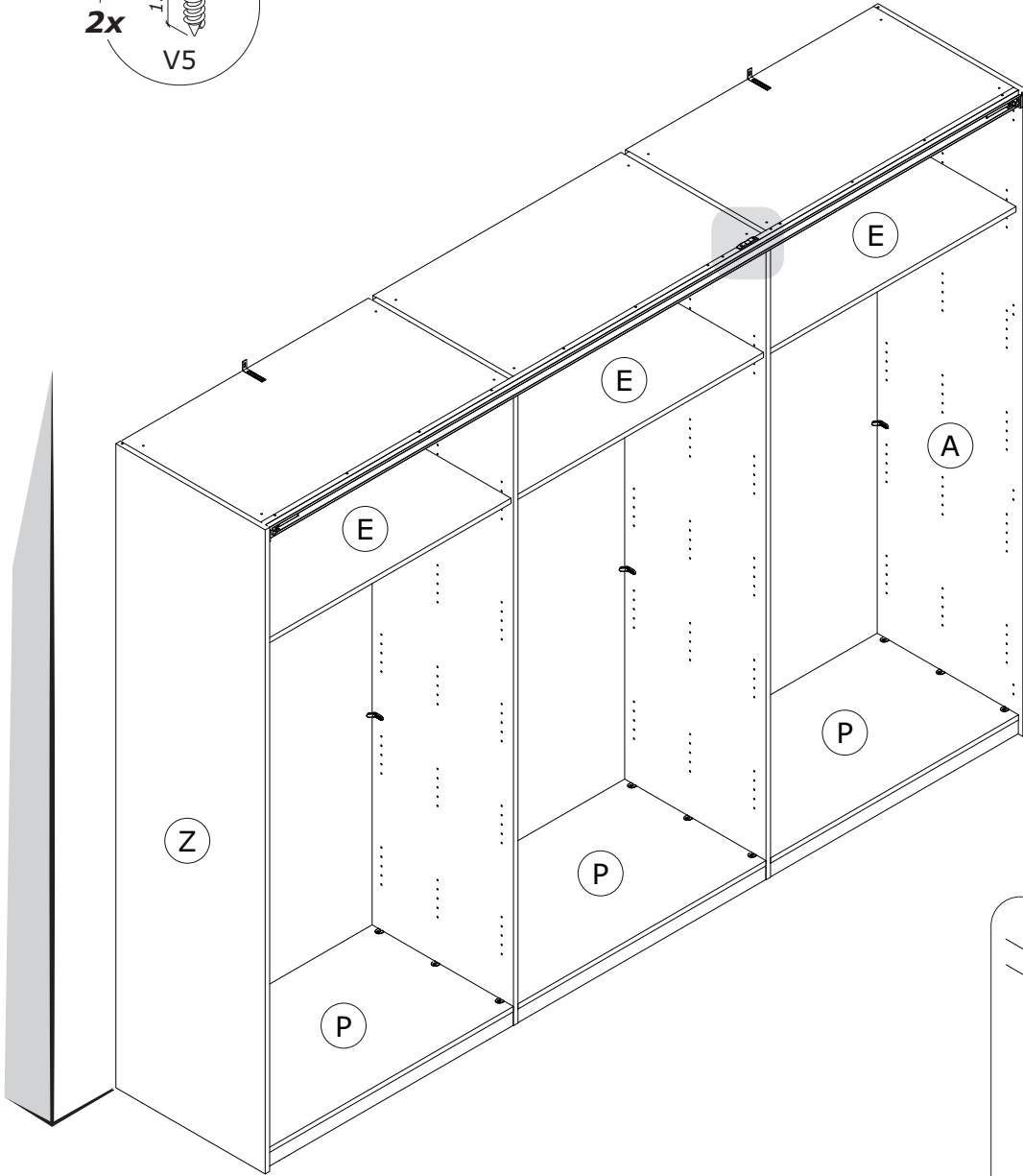
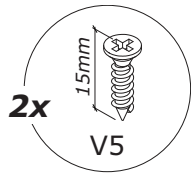
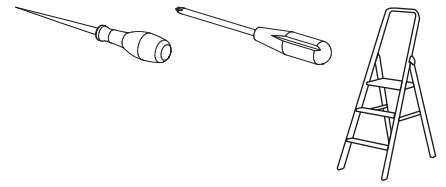


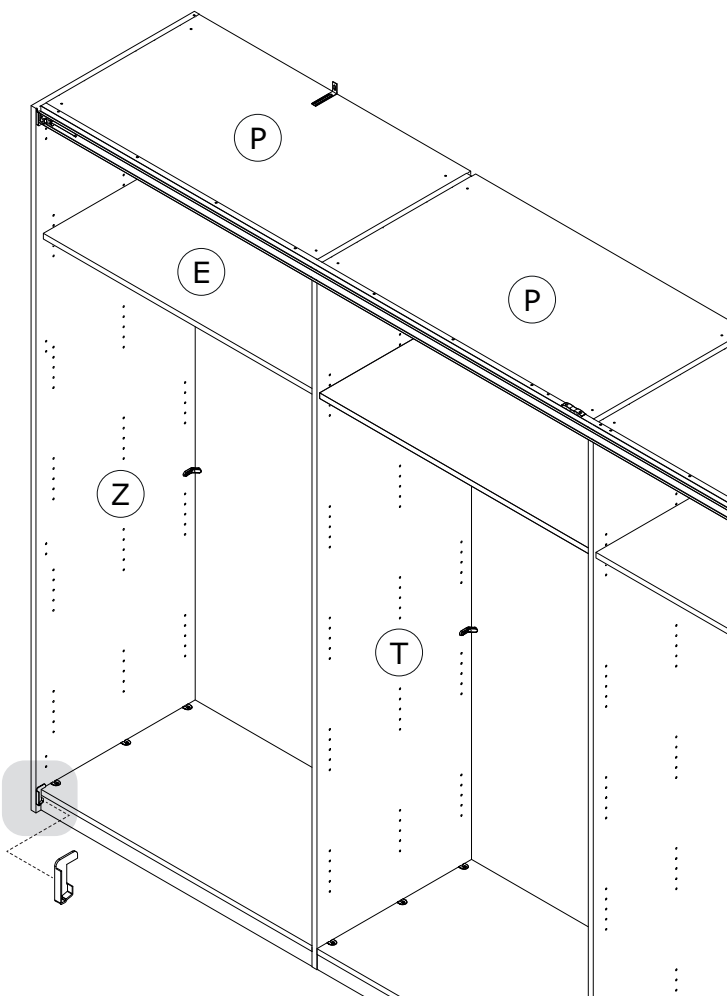
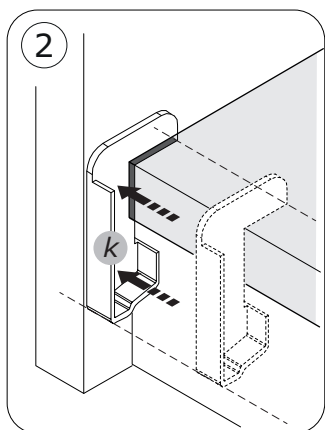
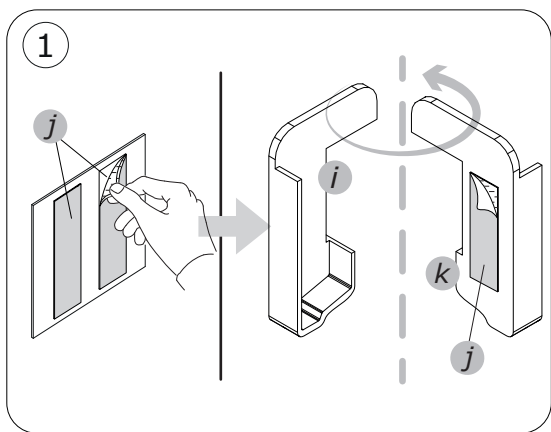
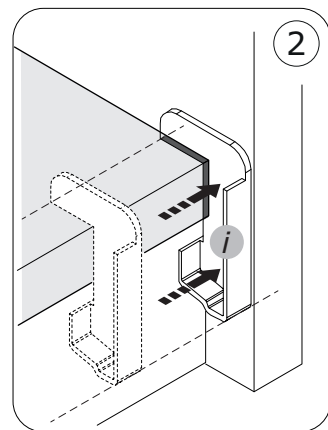
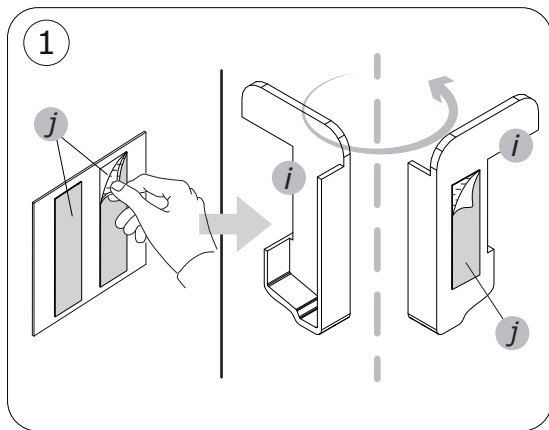
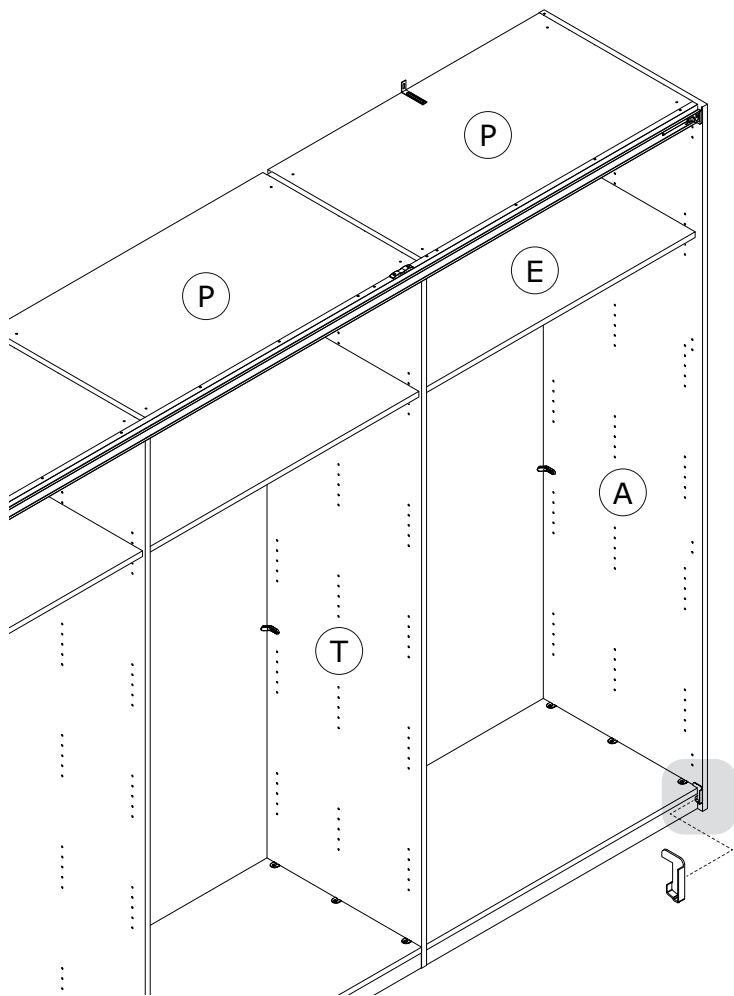


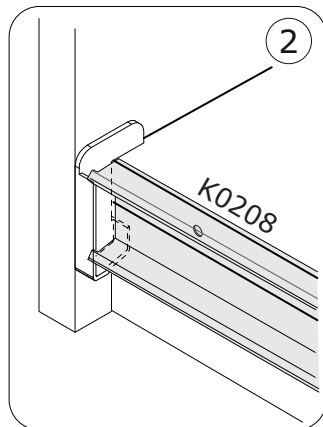
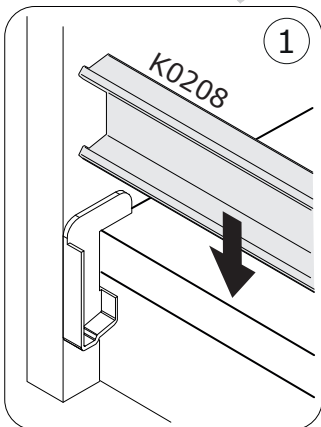
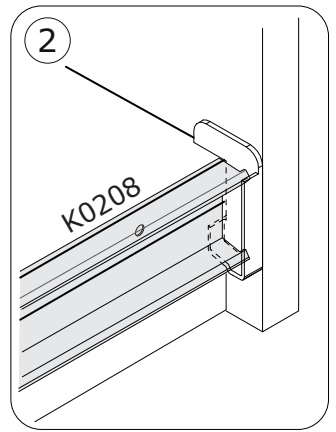
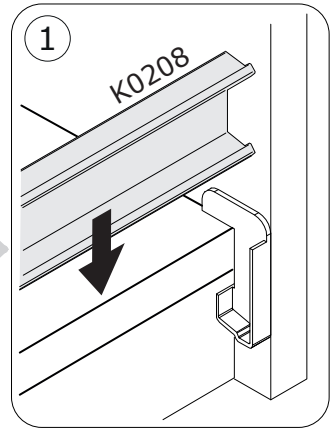
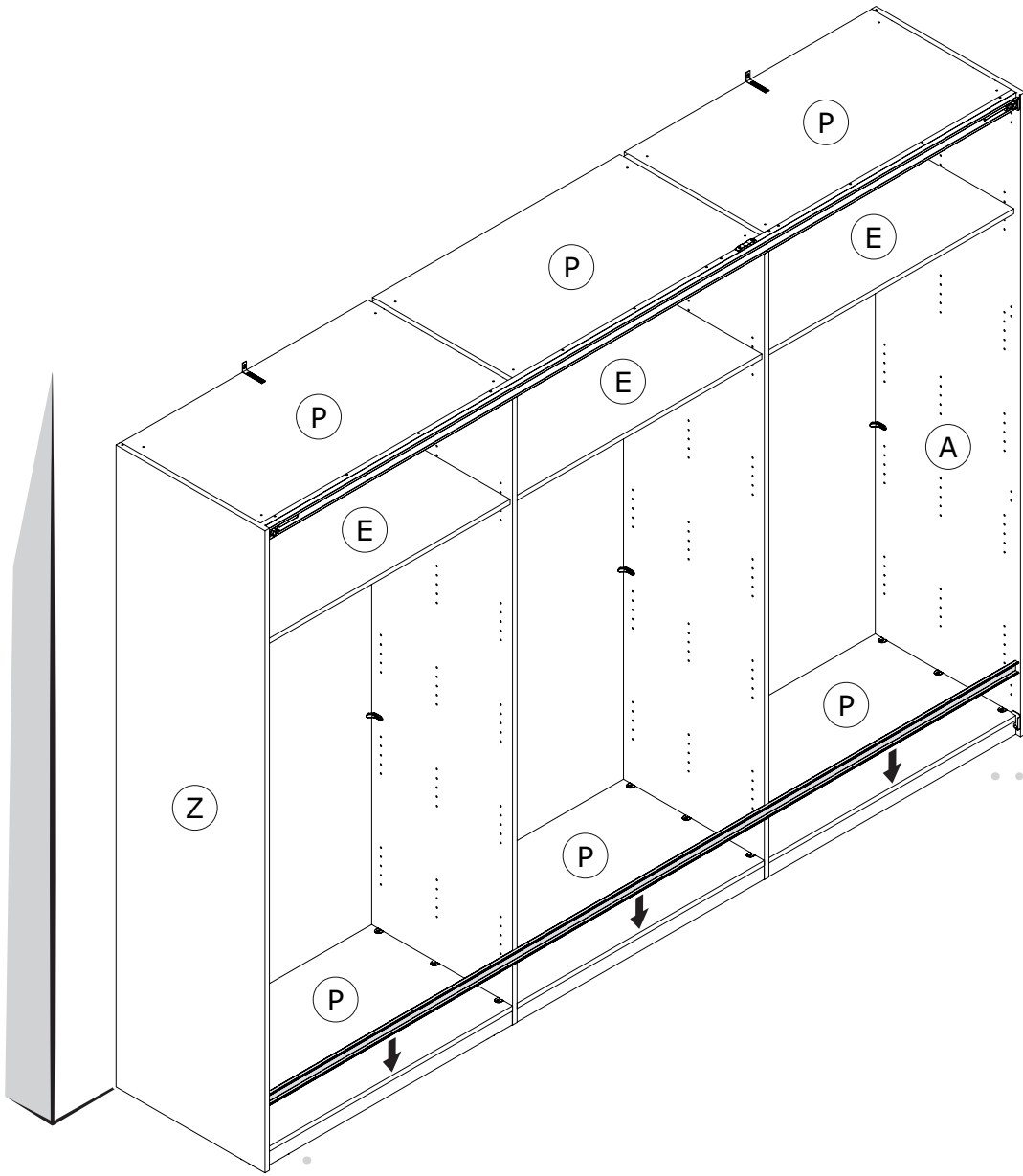


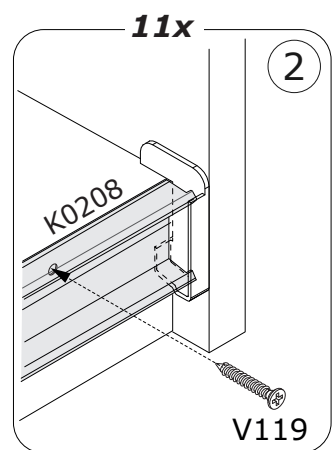
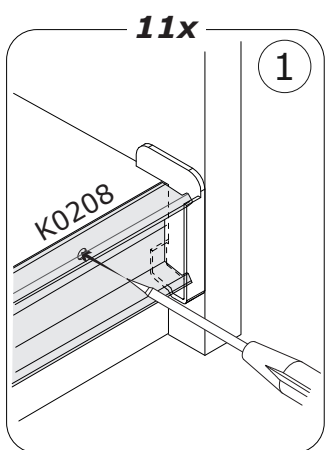
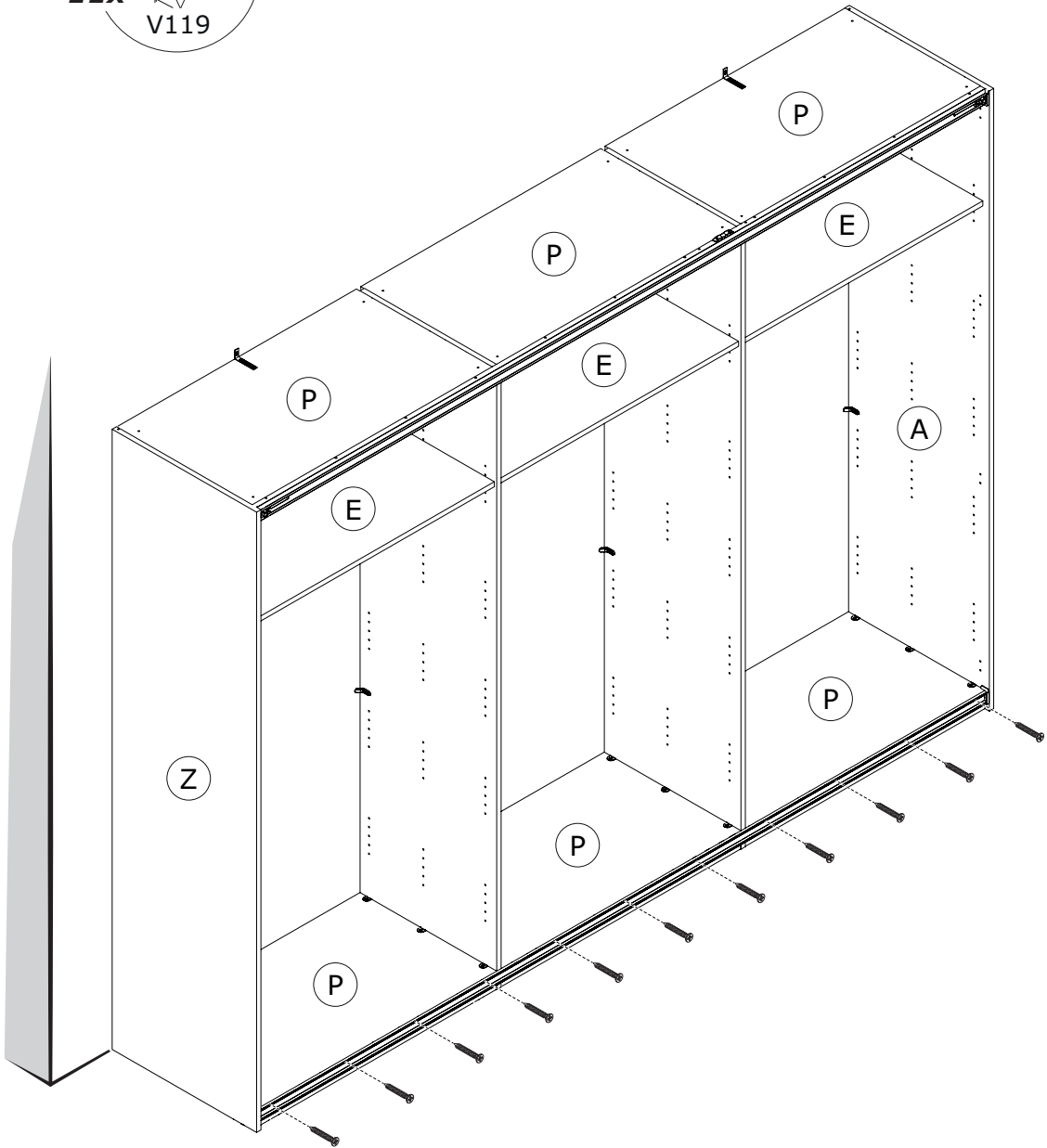
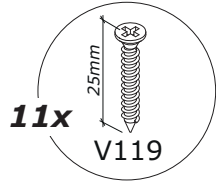
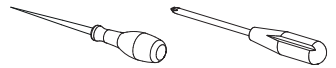


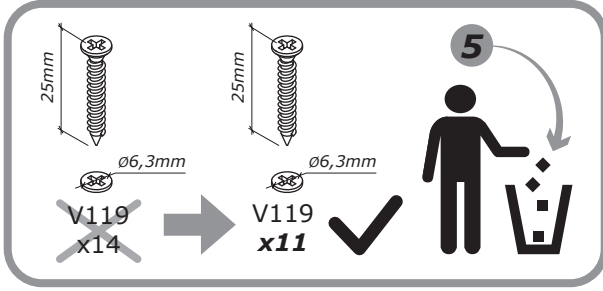
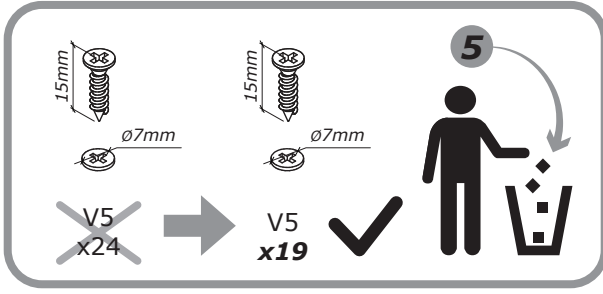




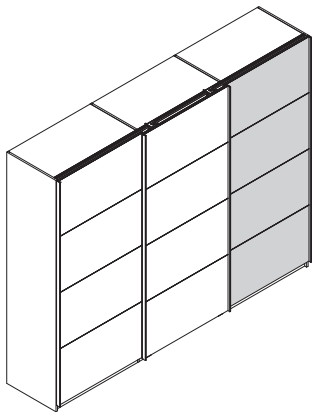
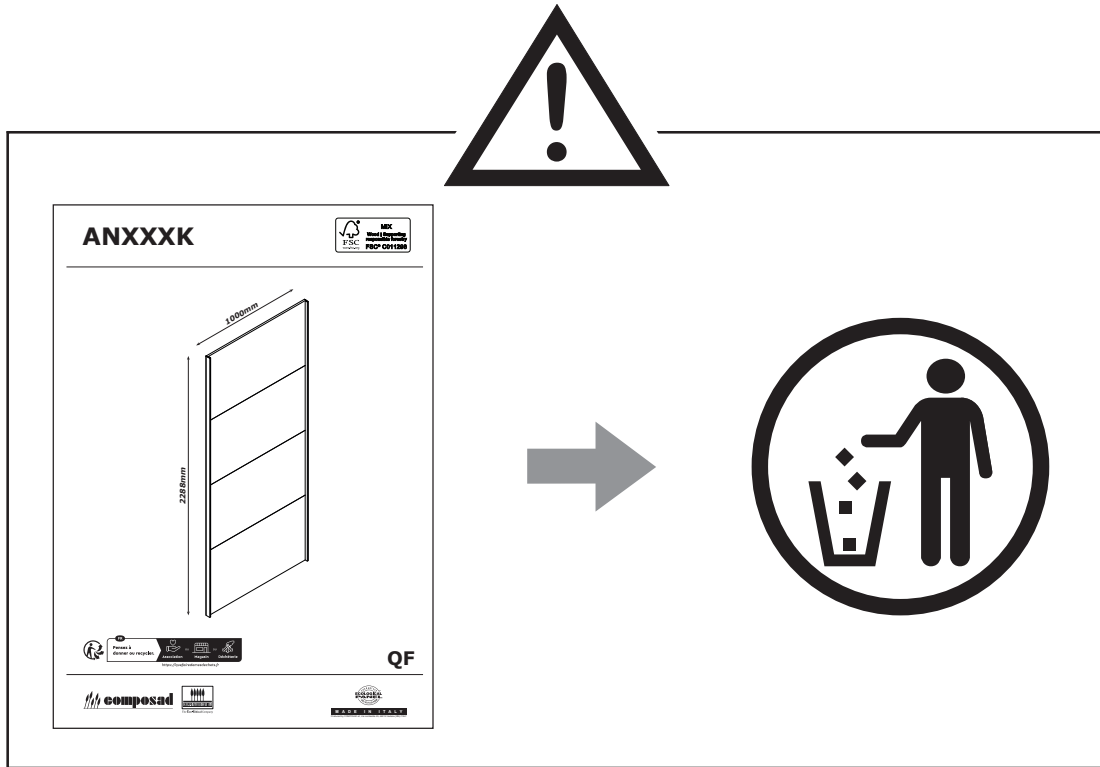




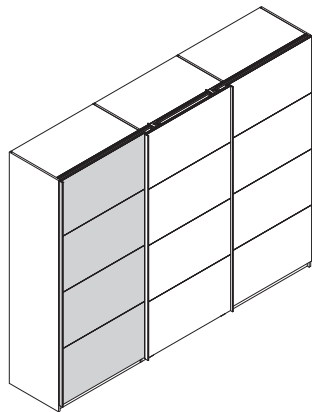




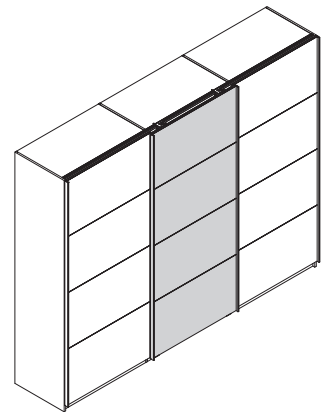




A



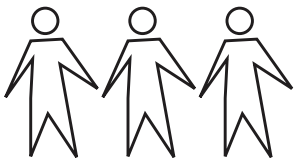
B



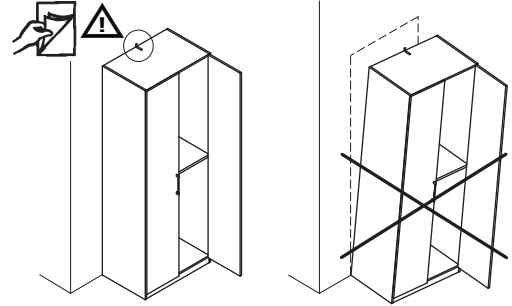
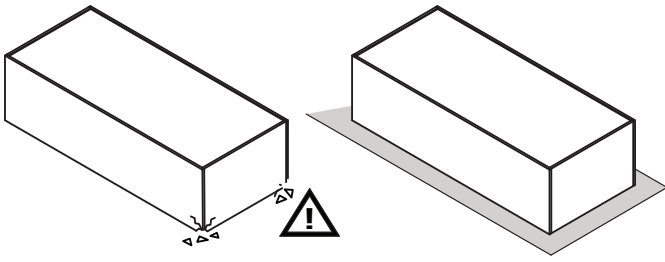
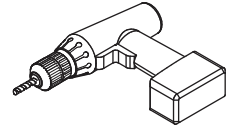
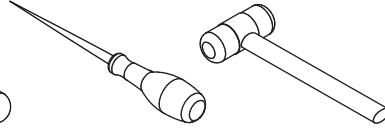
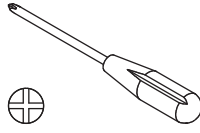
C



QF06306

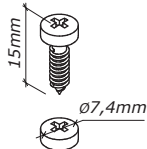


2h

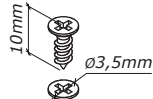


CFA219K00804

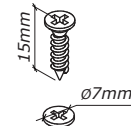
BU05401



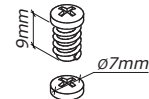
V81
x4



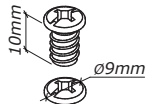
V87
x12



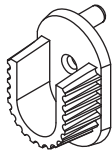
V5
x12



V71
x18



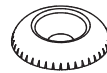
V175
x36



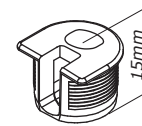
R34
x6



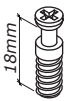
R5
x18



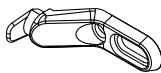
H289
x12



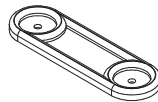
T127
x36



T69
x12



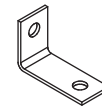
H322
x12



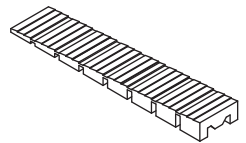
P16
x20



H15
x40



H141
x12



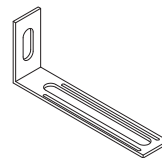
P17
x2



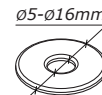
T129
x24



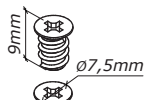
T53
x12



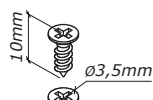
H337
x2



H129
x4

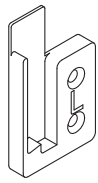
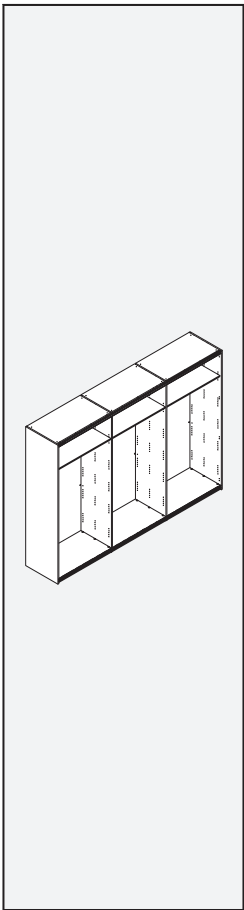


V102
x96



V87
x48

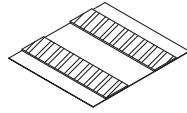
CF0249



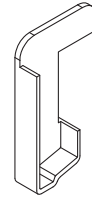
h x1
30x6x53mm



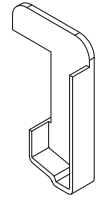
i x1
30x6x53mm



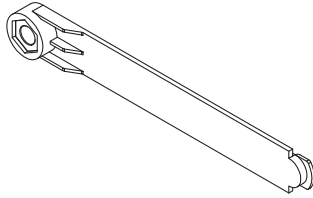
j x1
9x35x0,5mm



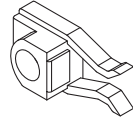
k x1
32,5x9x51,5mm



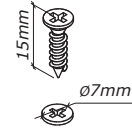
l x1
32,5x9x51,5mm



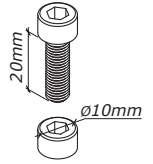
m x2
118x9,5x15mm



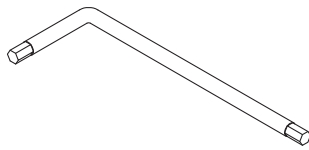
n x2
42x15x21mm



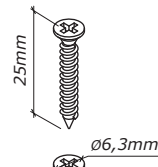
V5
x24



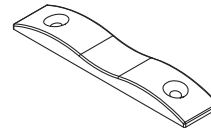
V188
x2



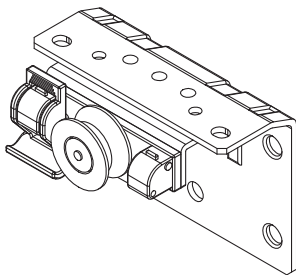
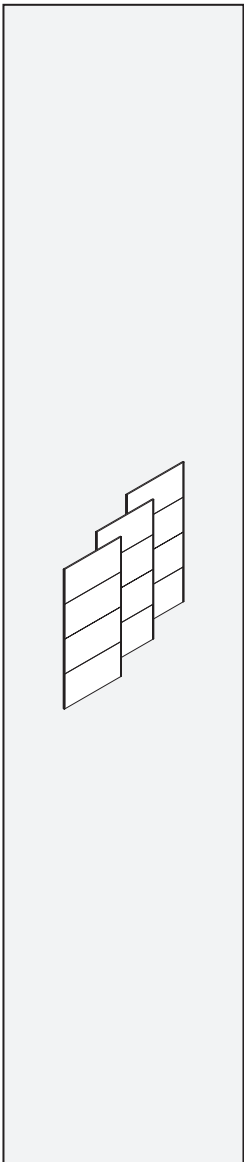
H176
x1



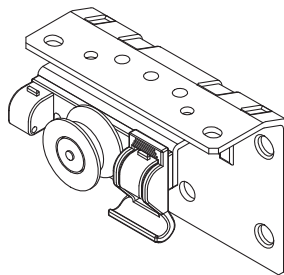
V119
x14



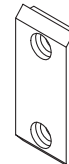
q x1
80x51x60mm



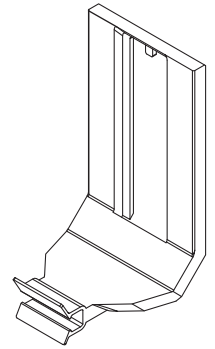
a x1
80x51x60mm



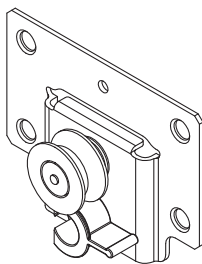
b x1
80x51x60mm



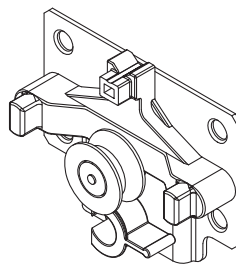
c x6
21x5x49mm



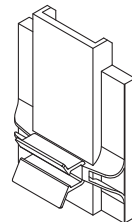
d x2
44x48x84mm



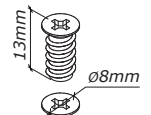
e x2
80x22x60mm



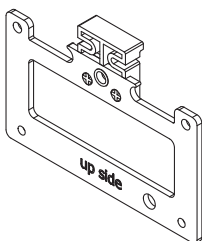
f x2
80x22x62mm



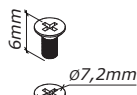
g x4
44x19x60mm



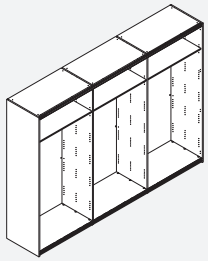
V187
x36



o x1
80x51x60mm



p x2
21x5x49mm



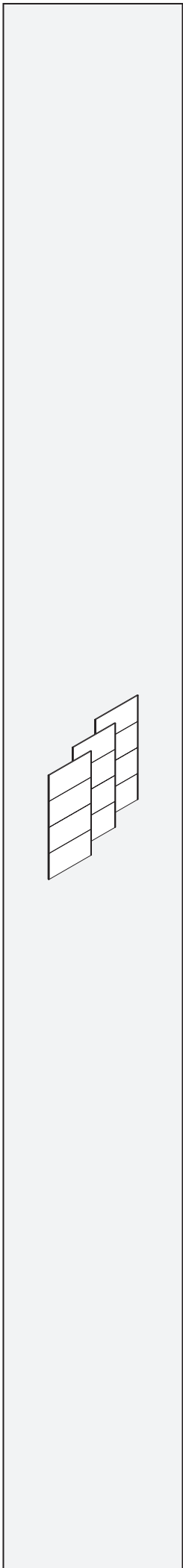
KP0207 x1
L. 3003mm



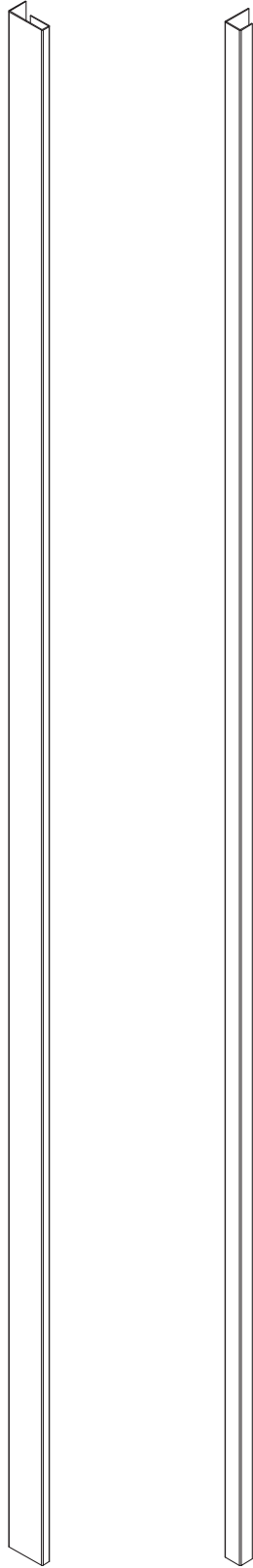
KP0208 x1
L. 3000mm



FW00702 x3
L. 982mm



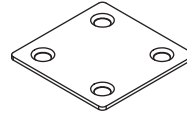
CF



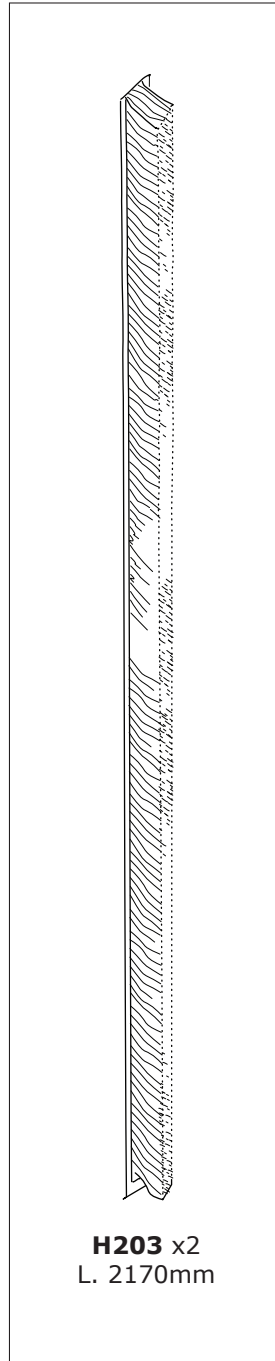
M1 x4
L. 2178mm

M2 x2
L. 2178mm

CF0251

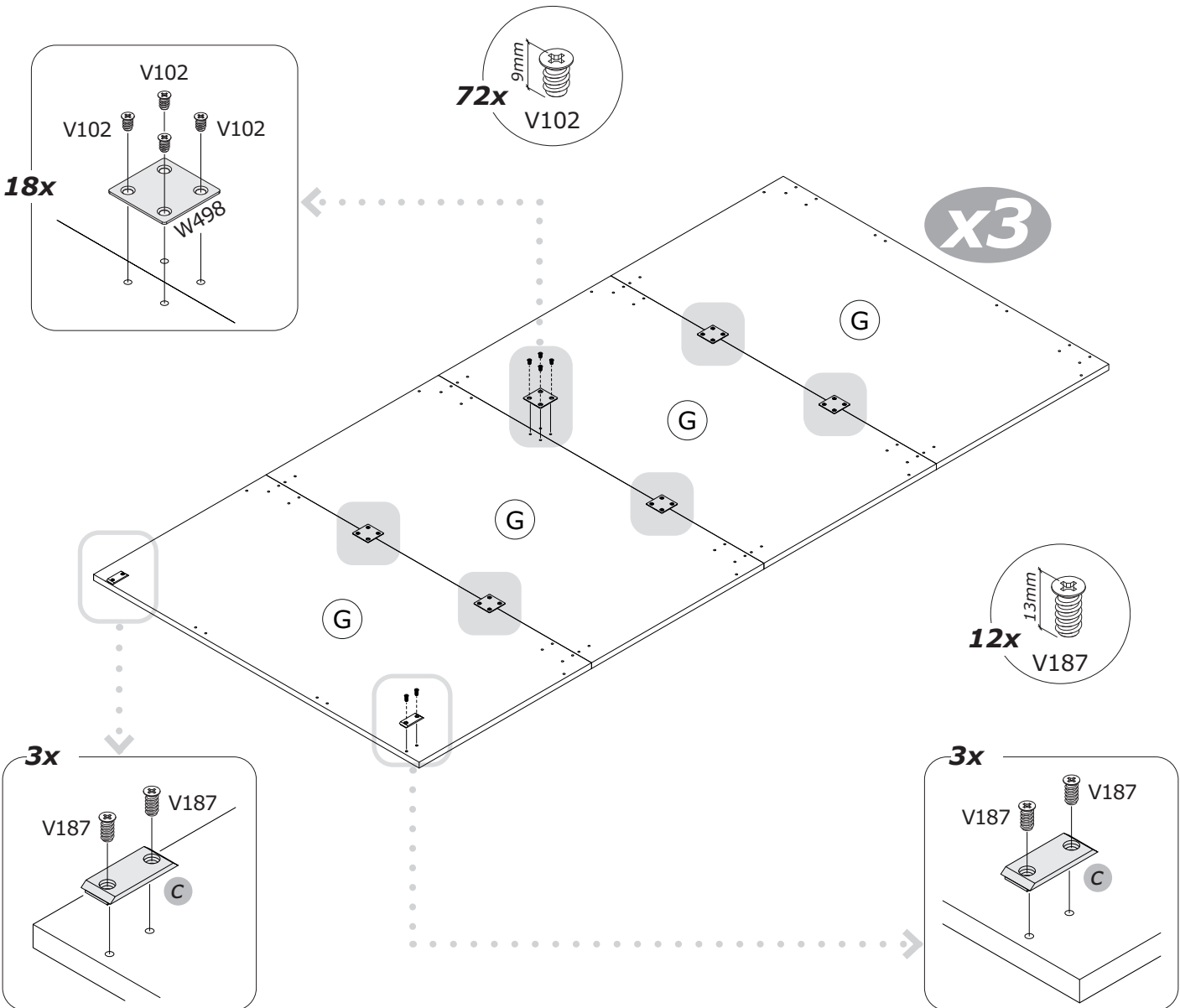
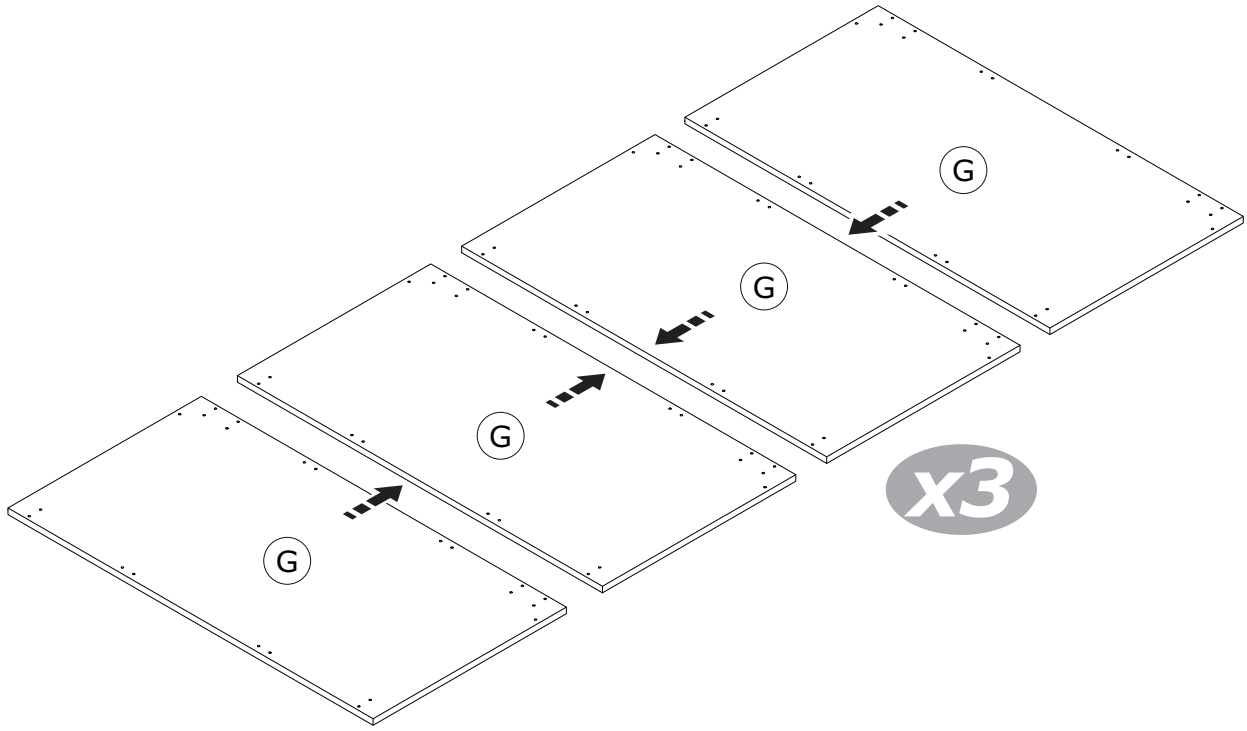
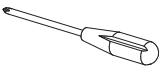


W498
x18

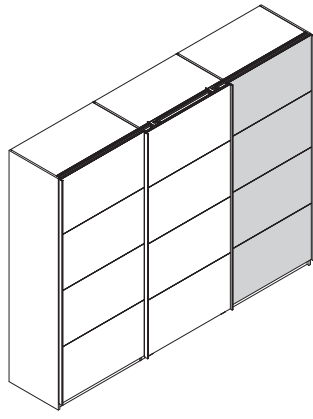


H203 x2
L. 2170mm

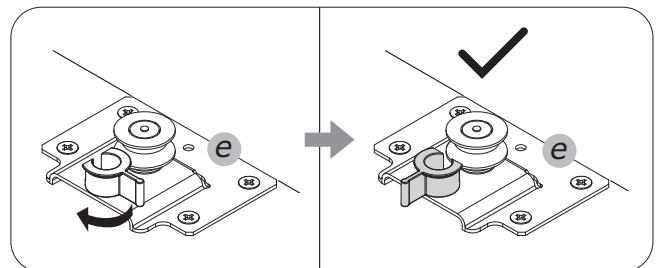
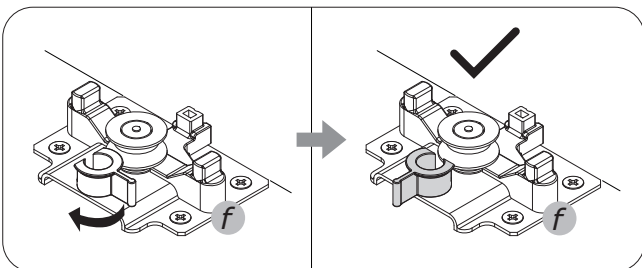
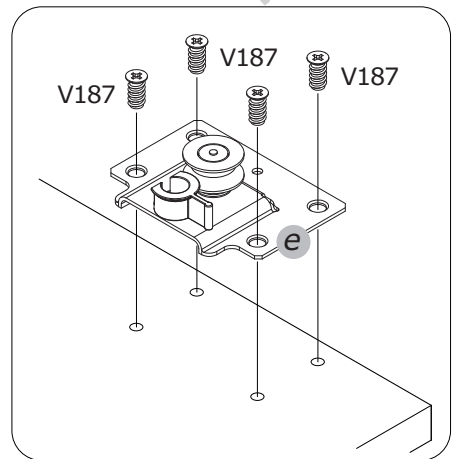
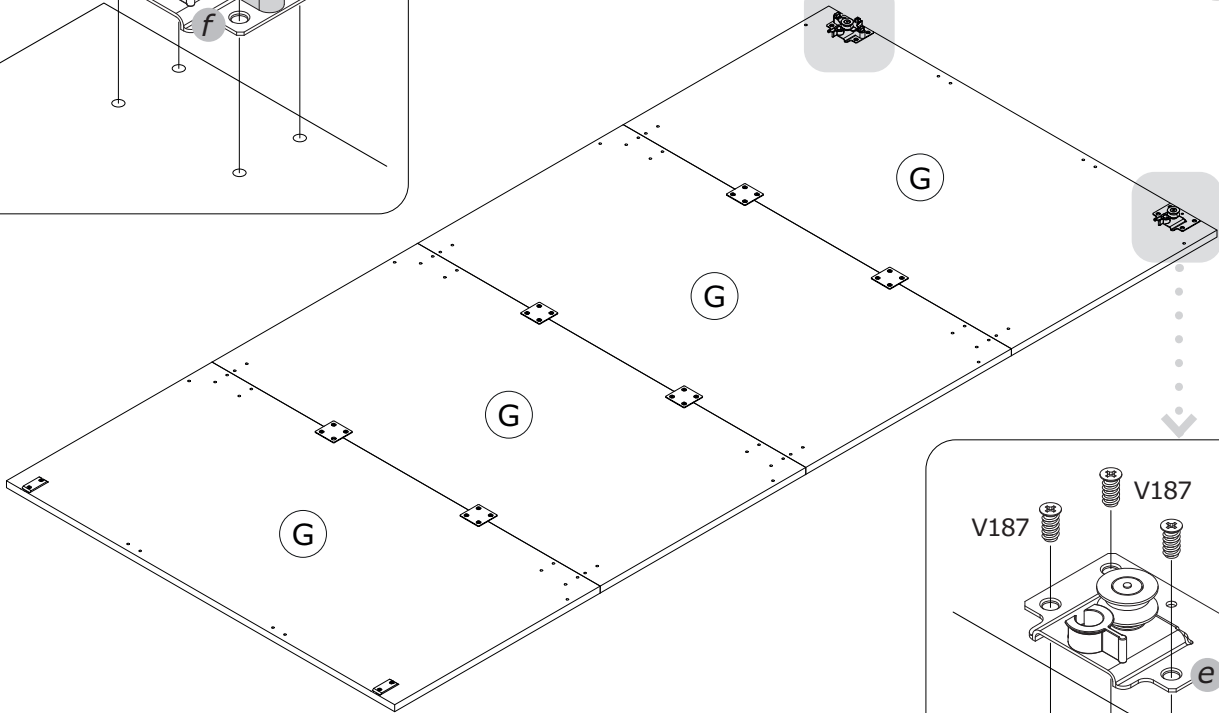
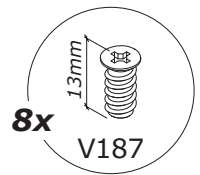
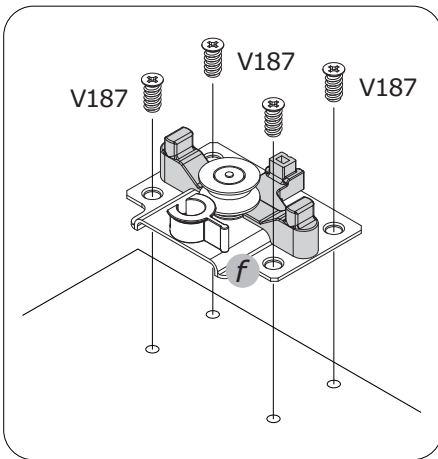
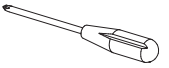
1



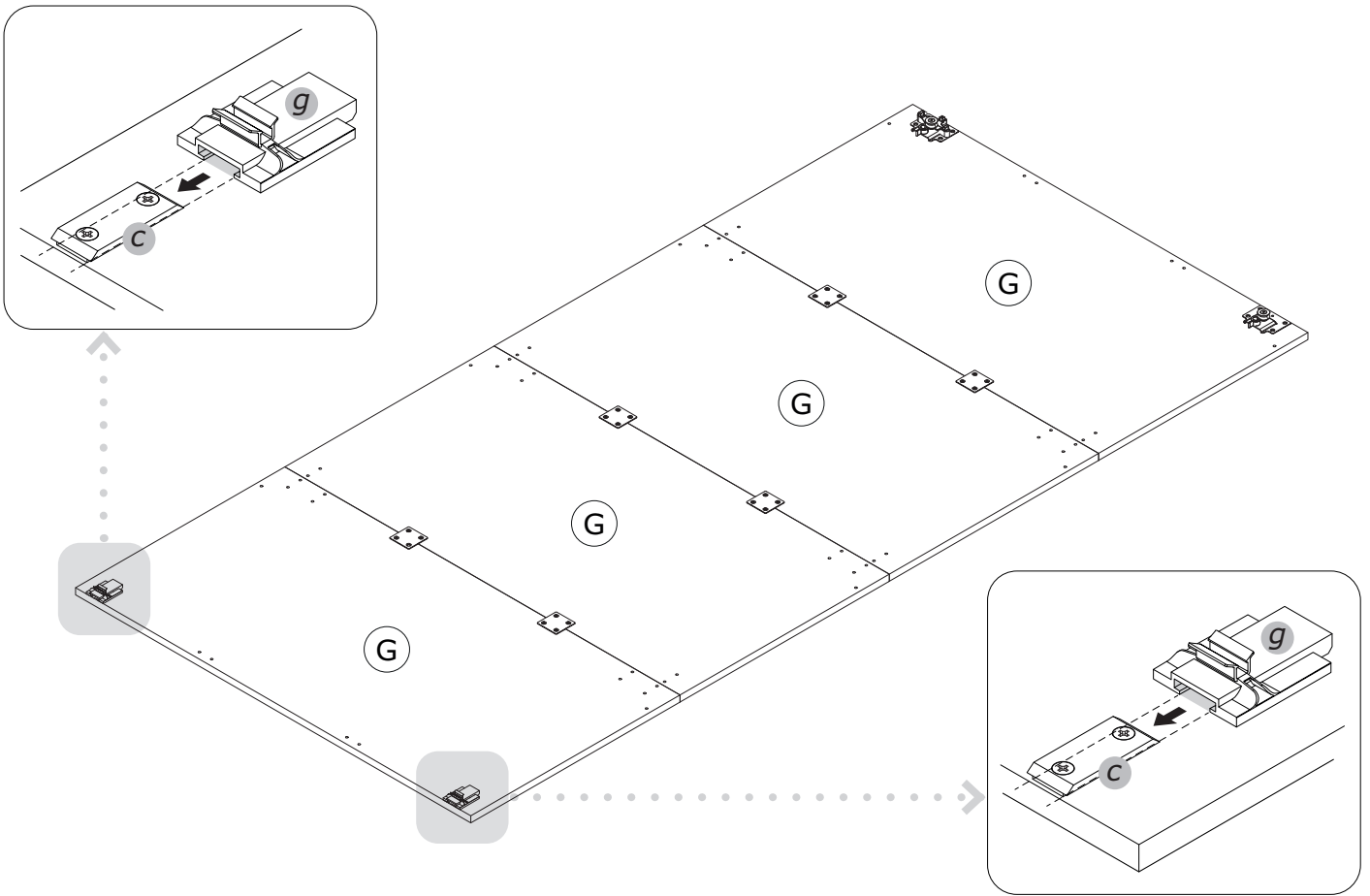
A



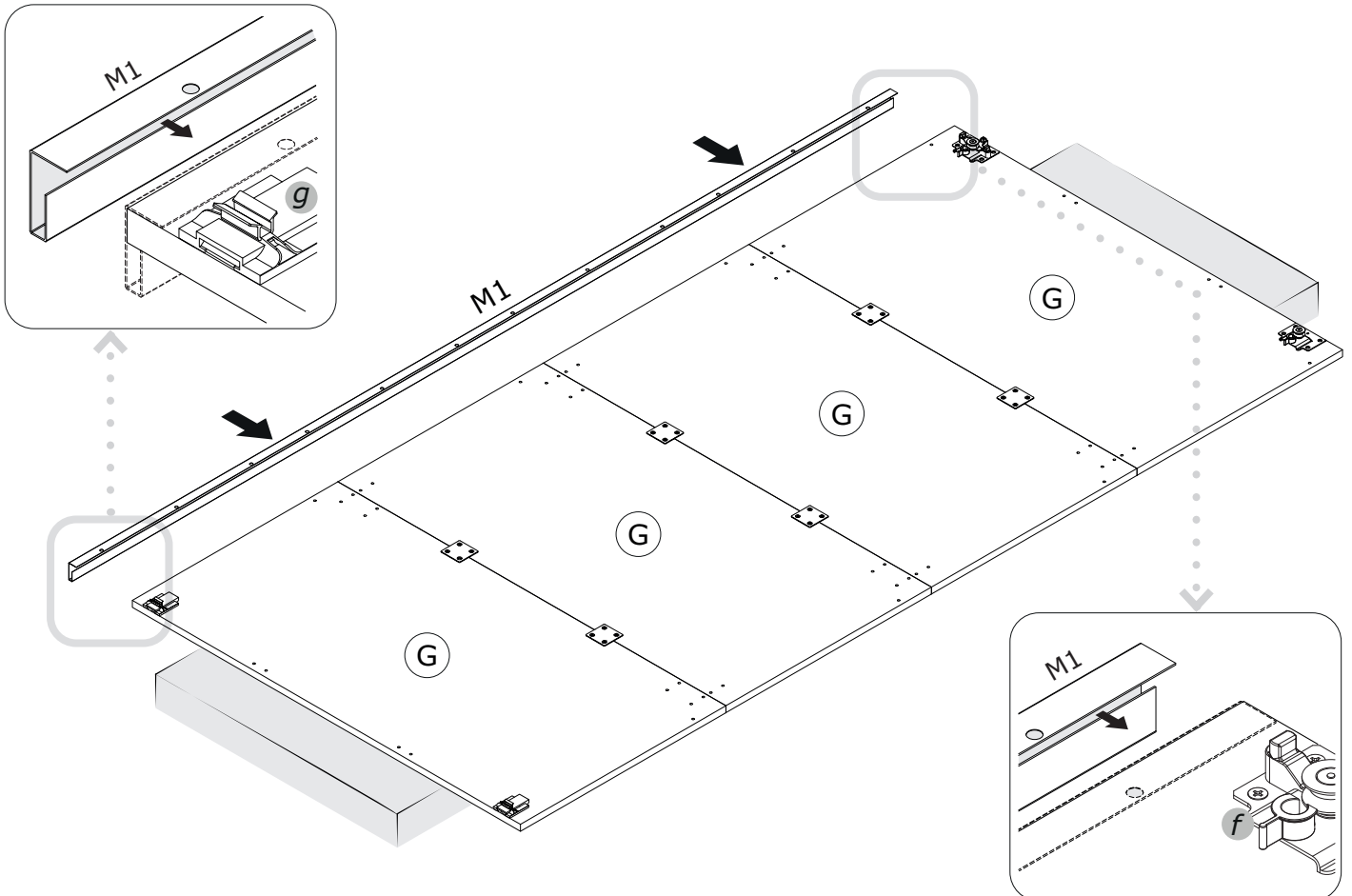
2 A



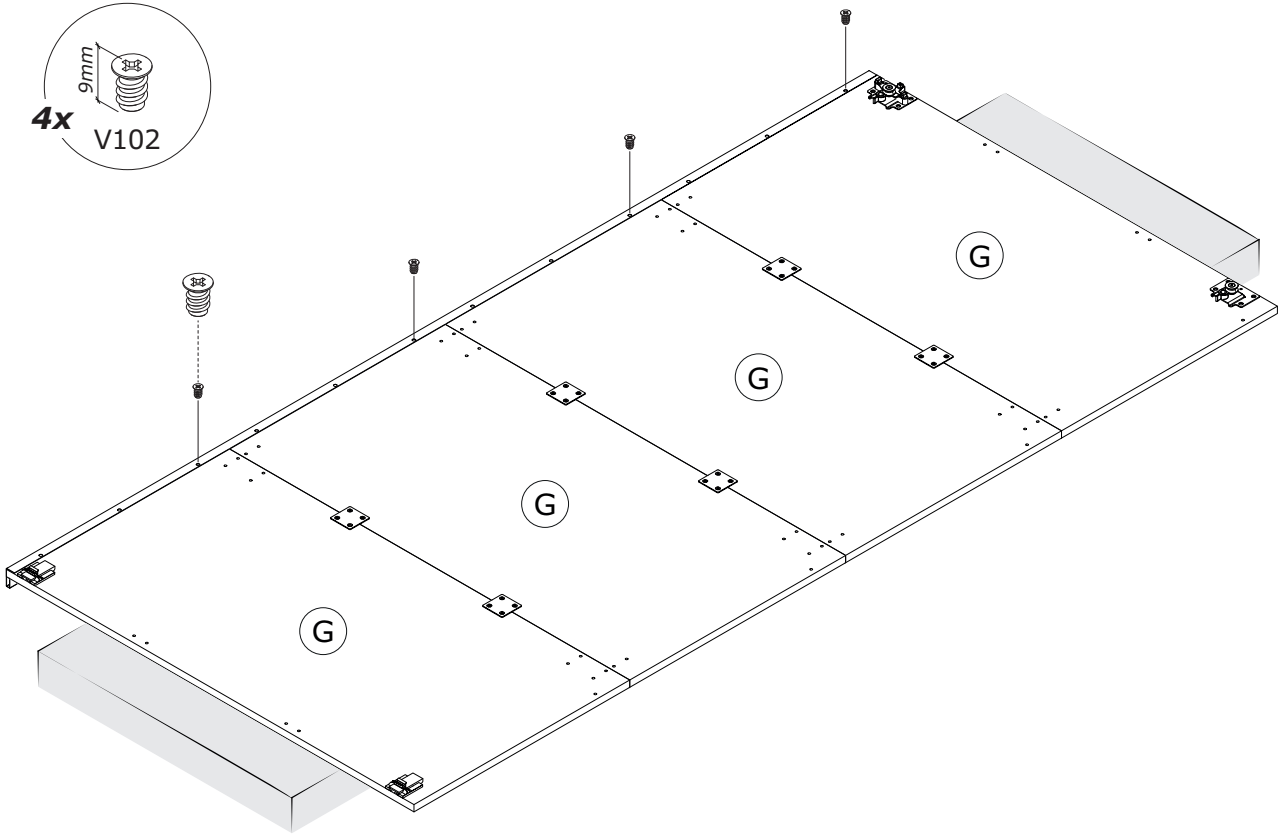
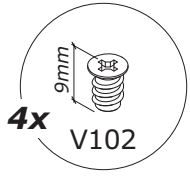
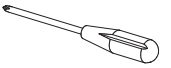
3 A



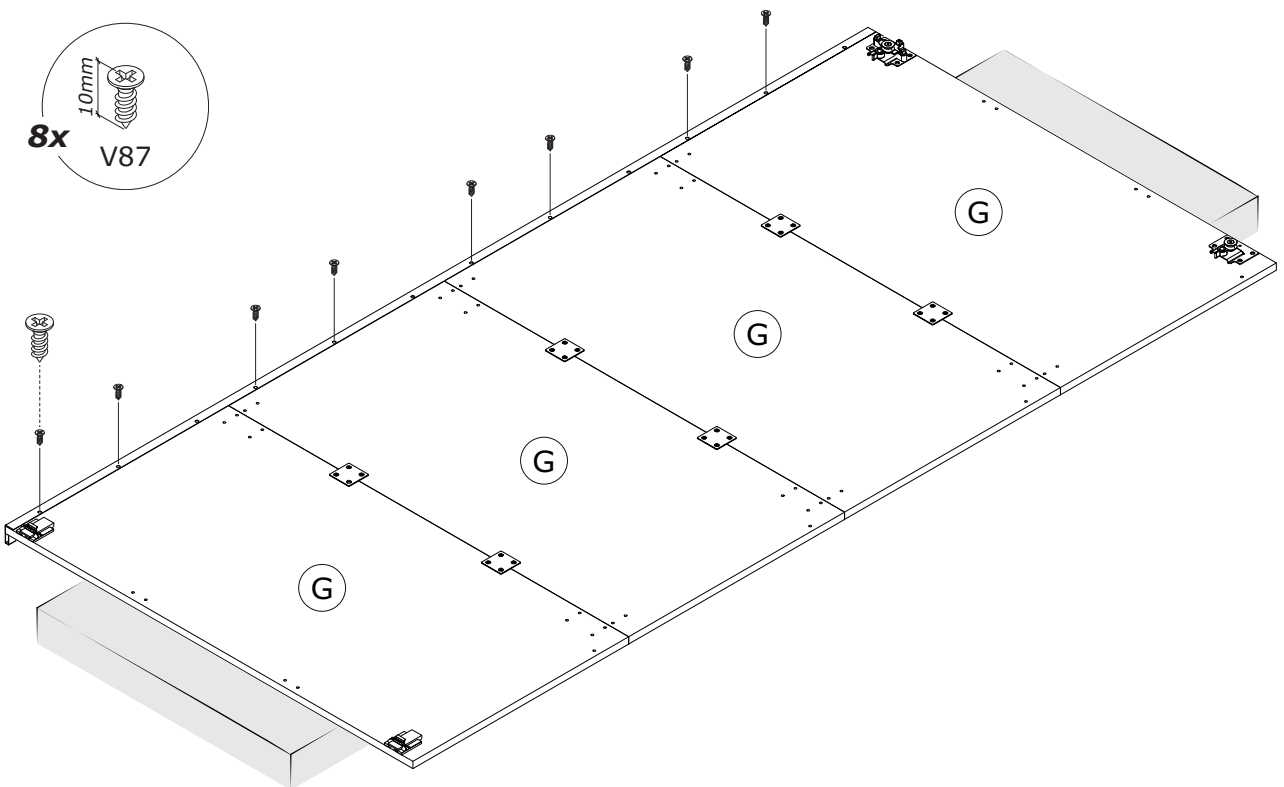
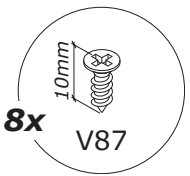
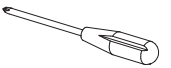
4 A



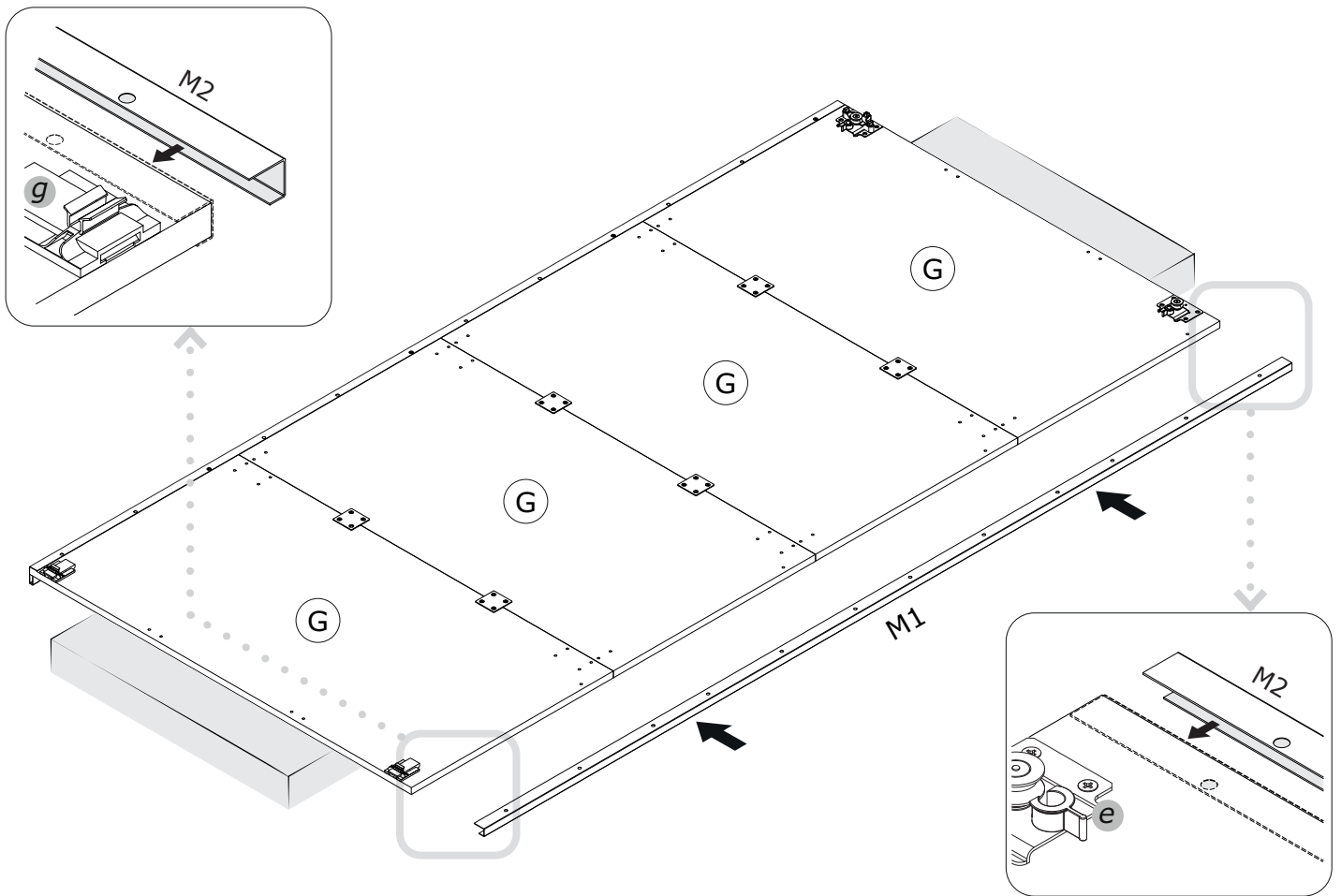
5 A



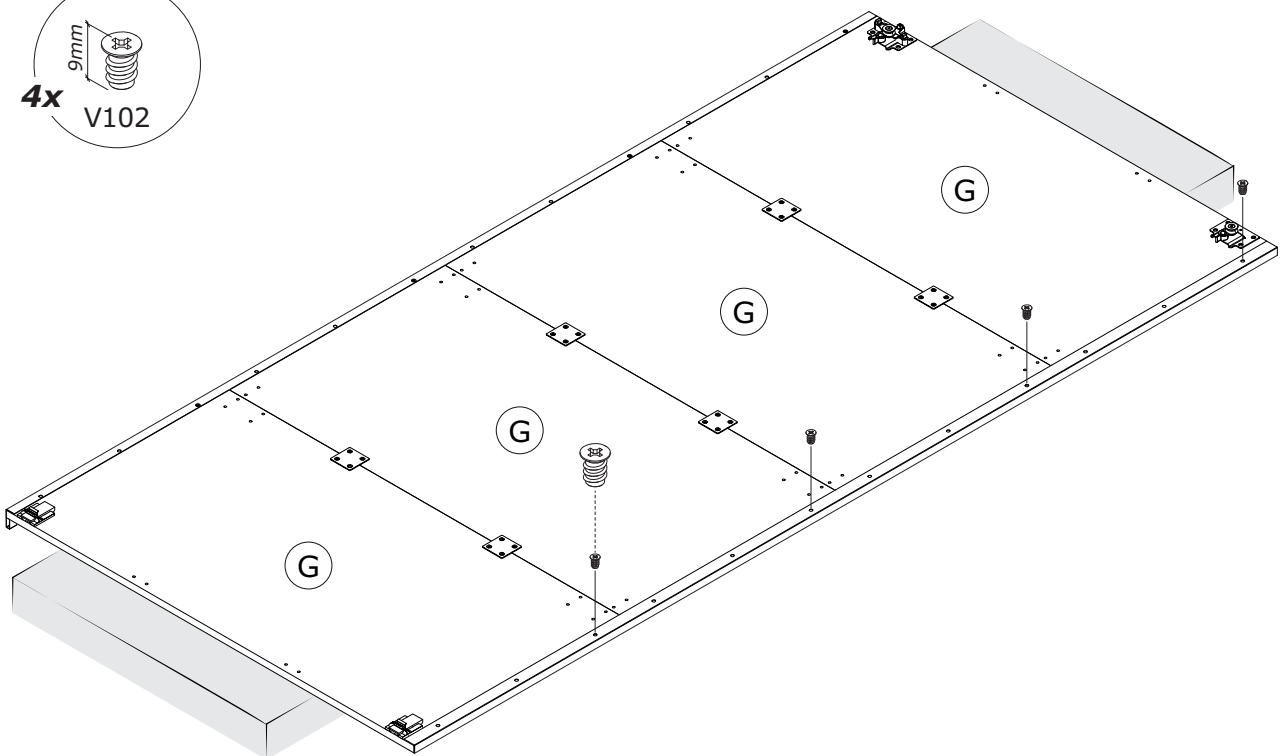
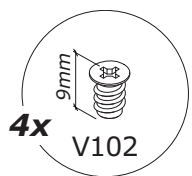
6 A



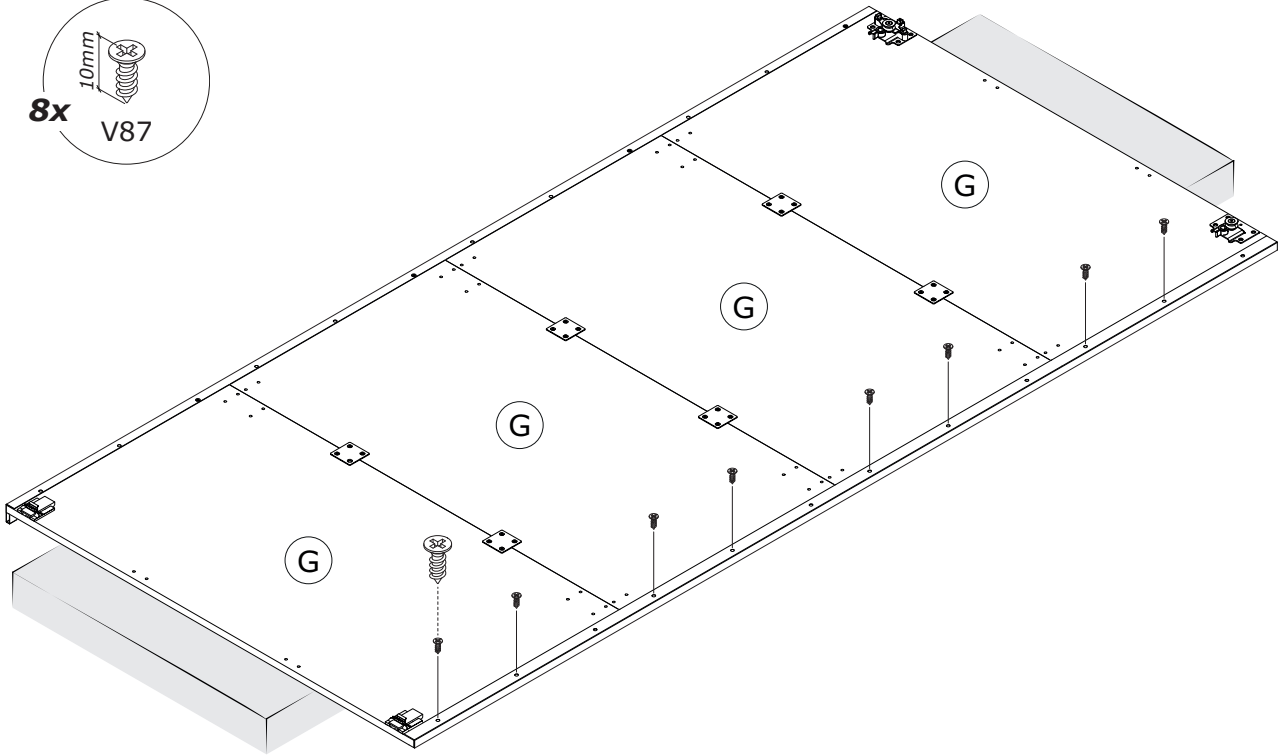
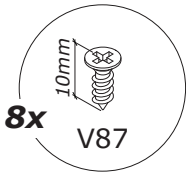
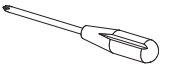
7 A



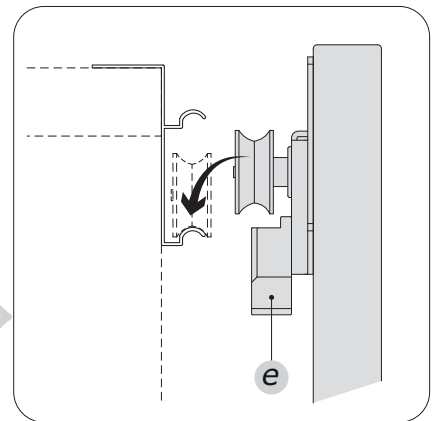
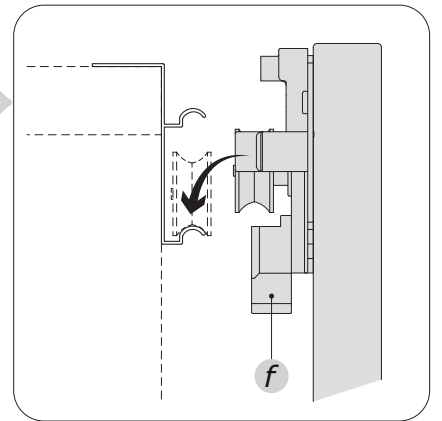
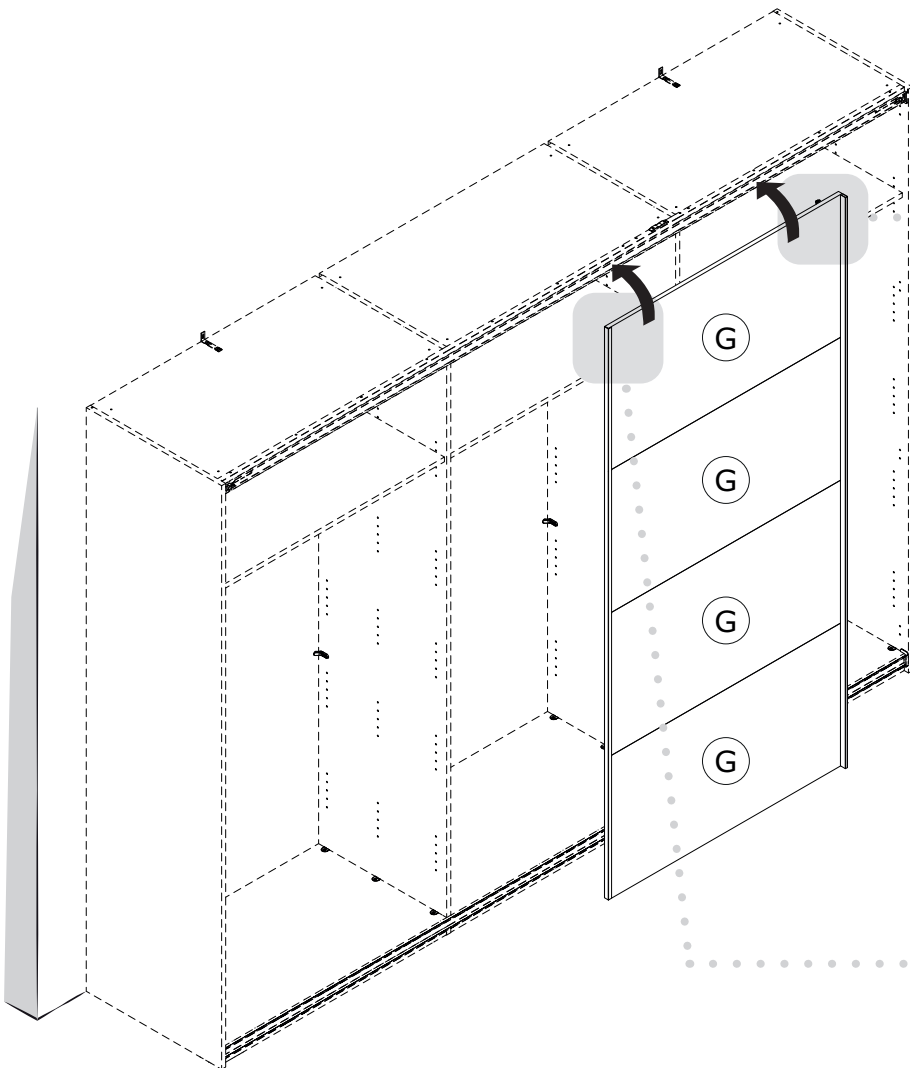
8 A



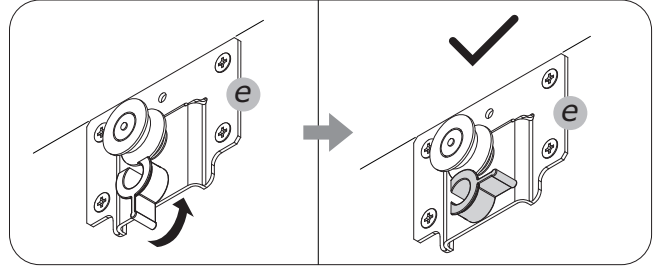
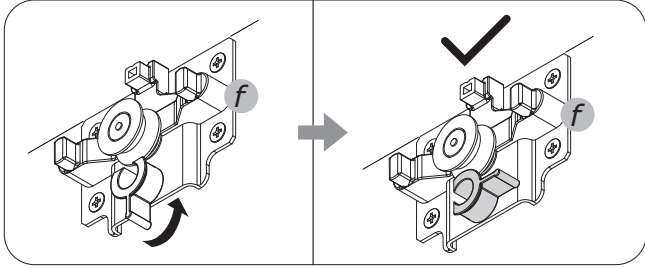
9 A



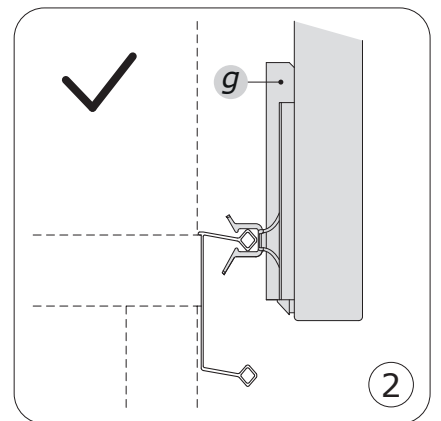
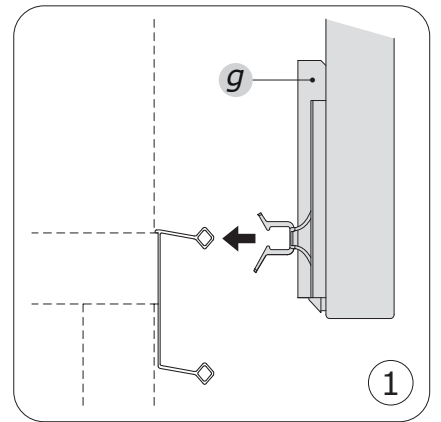
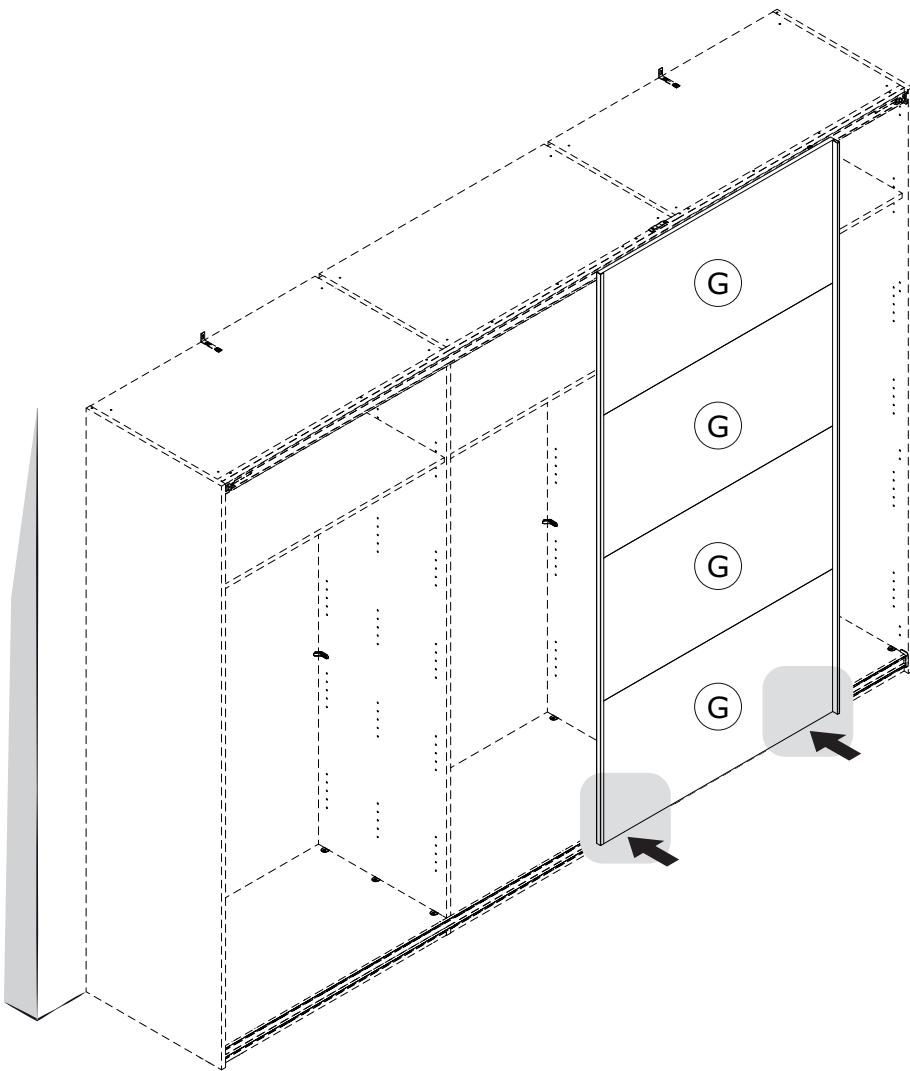
10 A



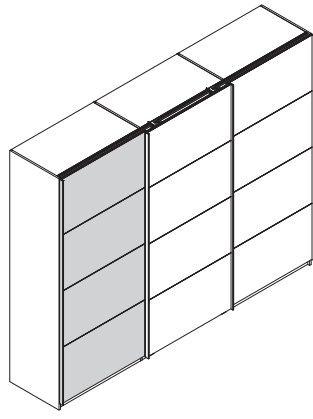
11 A



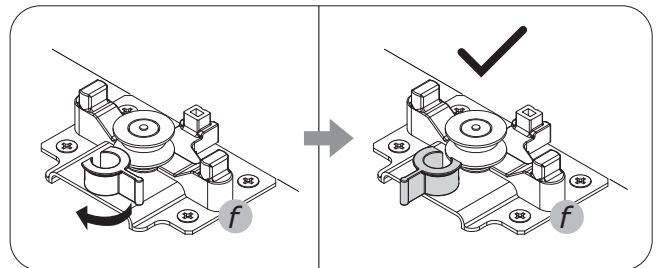
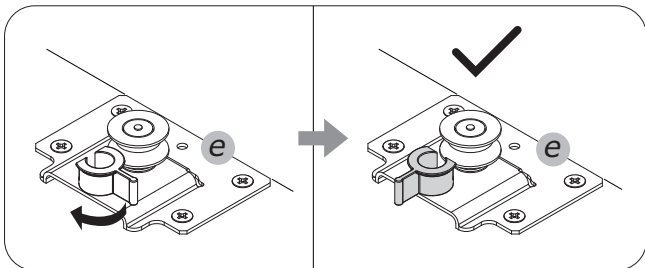
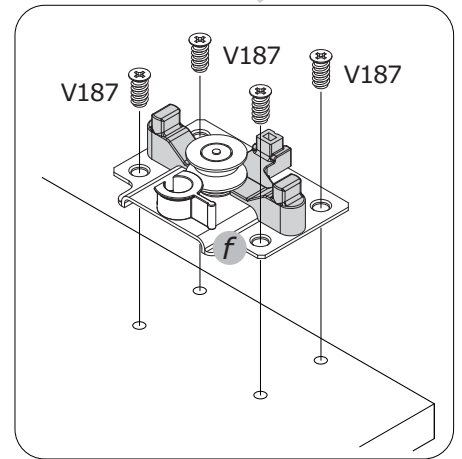
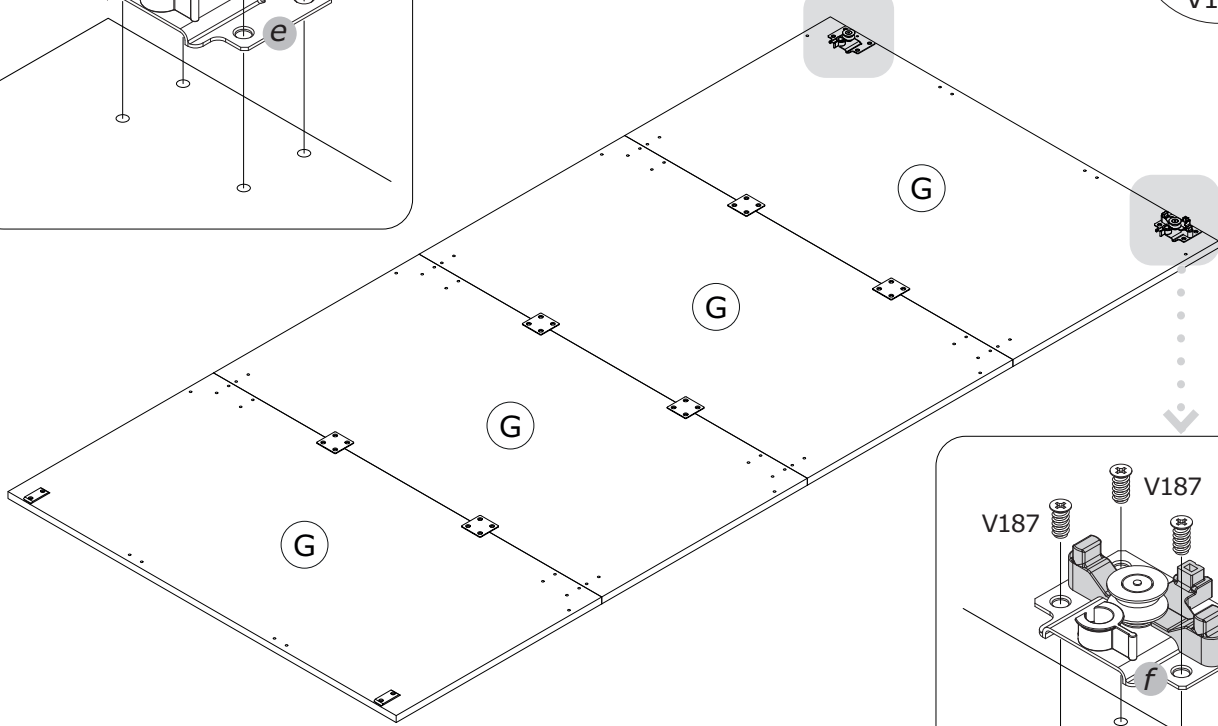
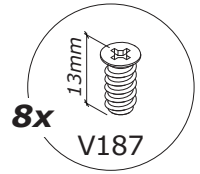
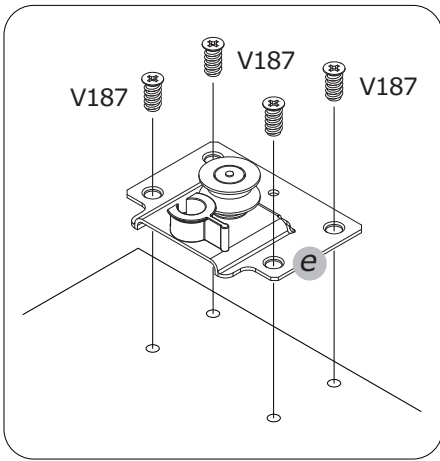
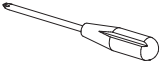
12 A



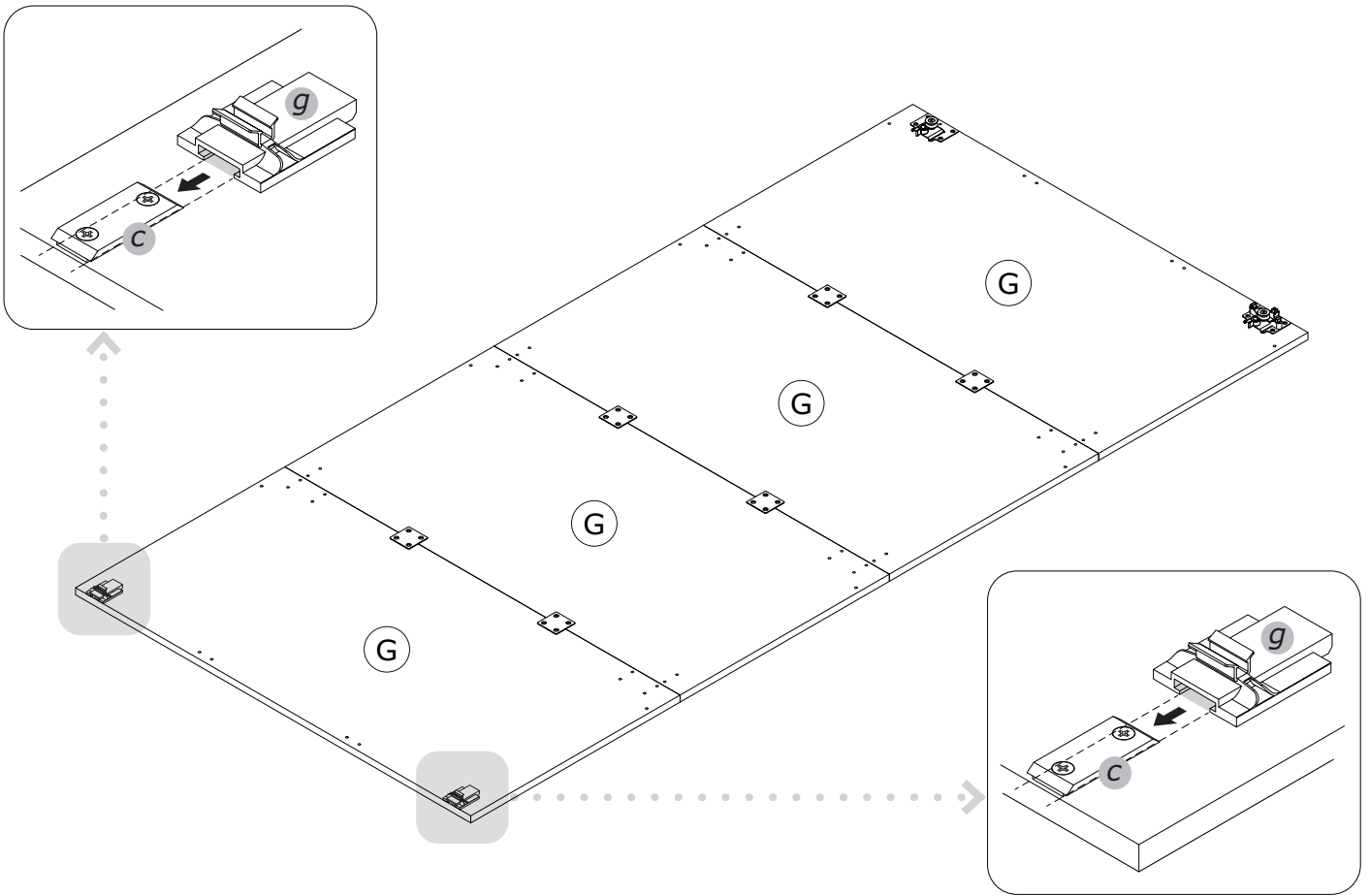
B



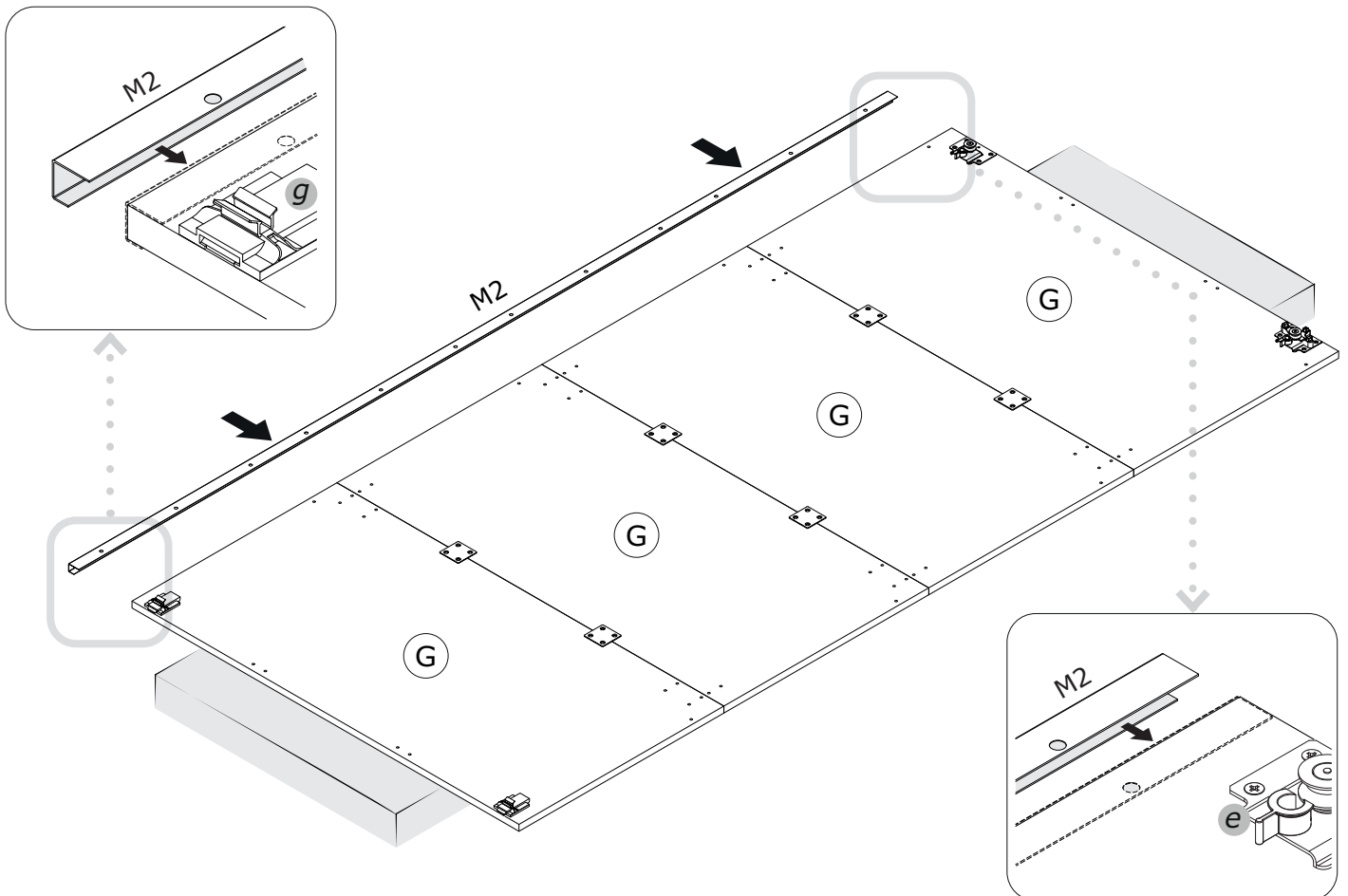
13 B



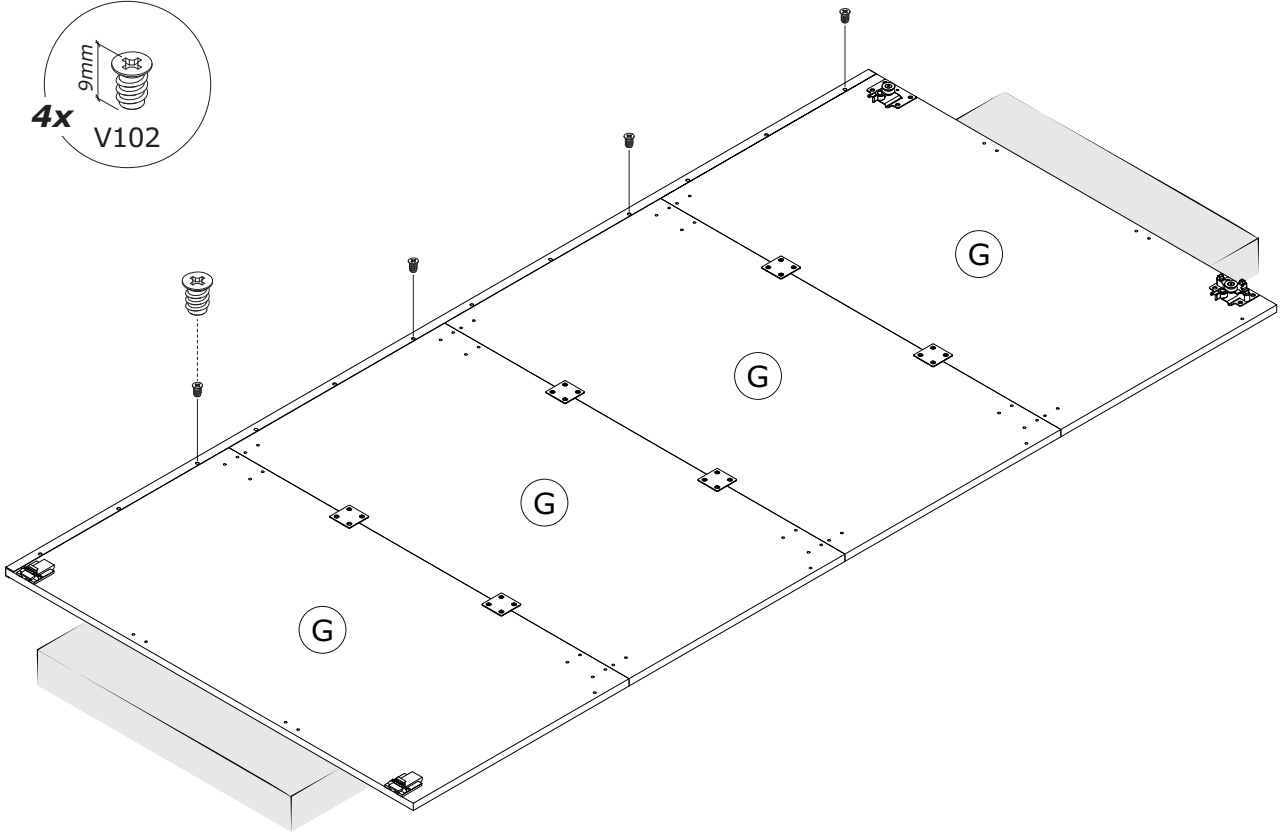
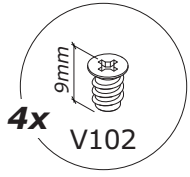
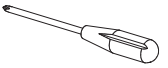
14 B



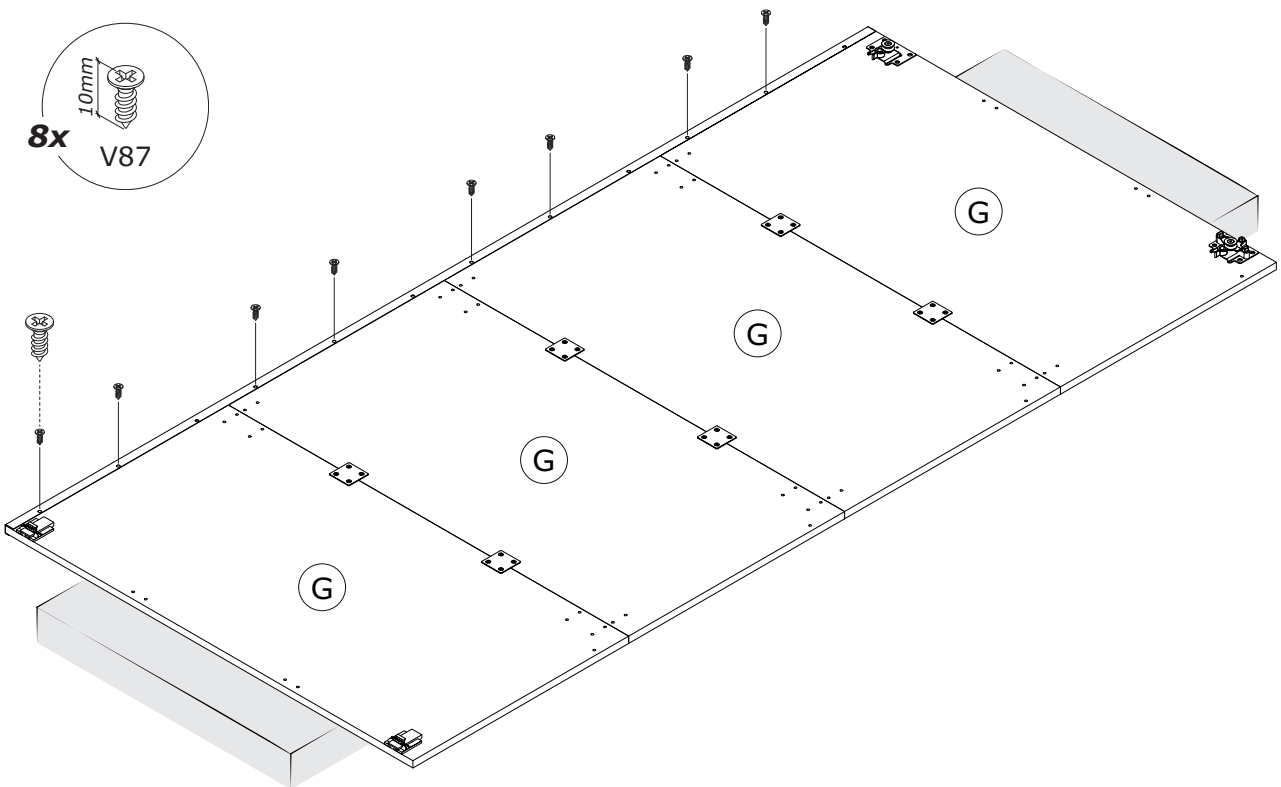
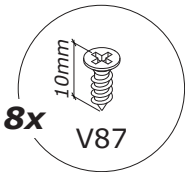
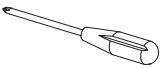
15 B



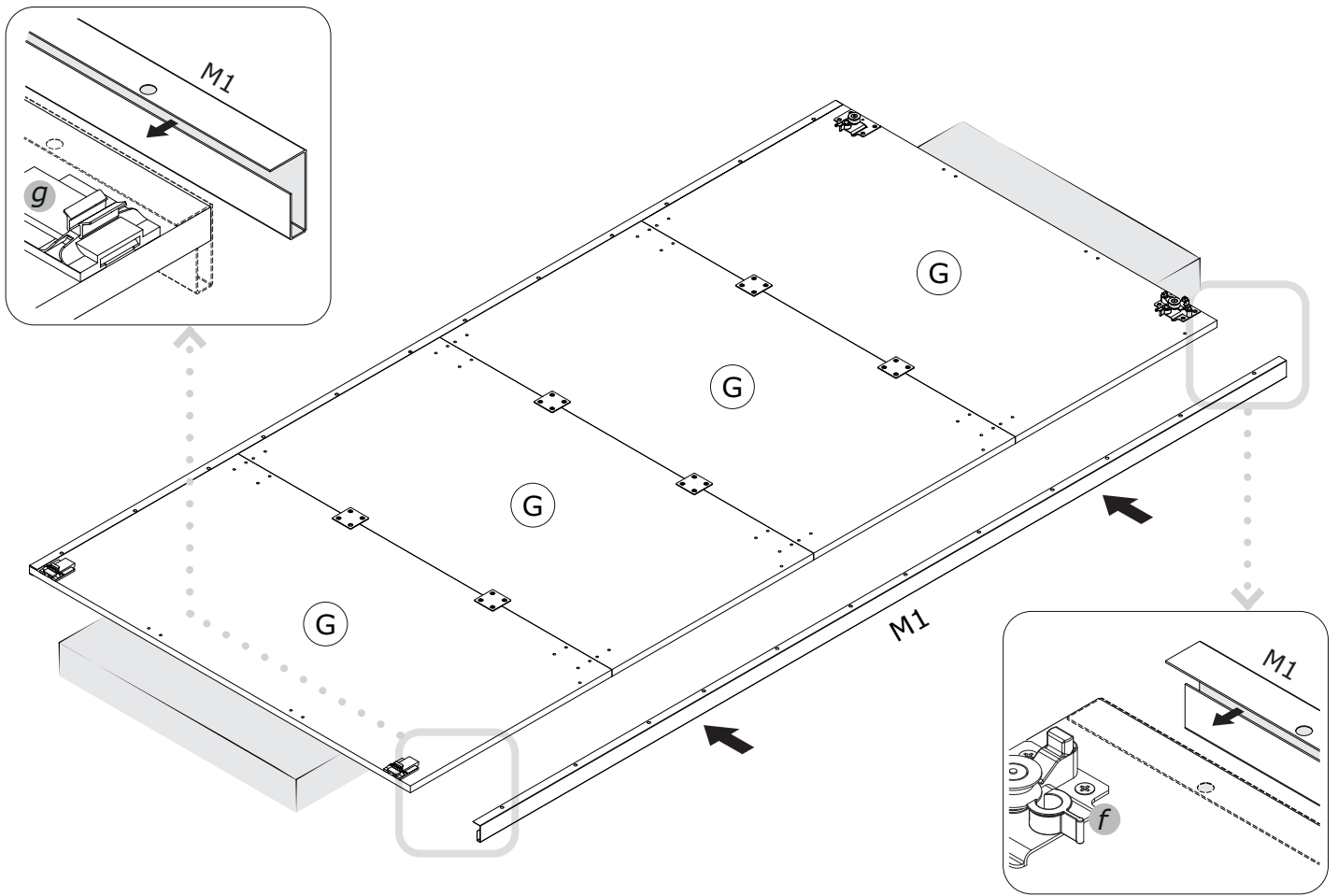
16 B



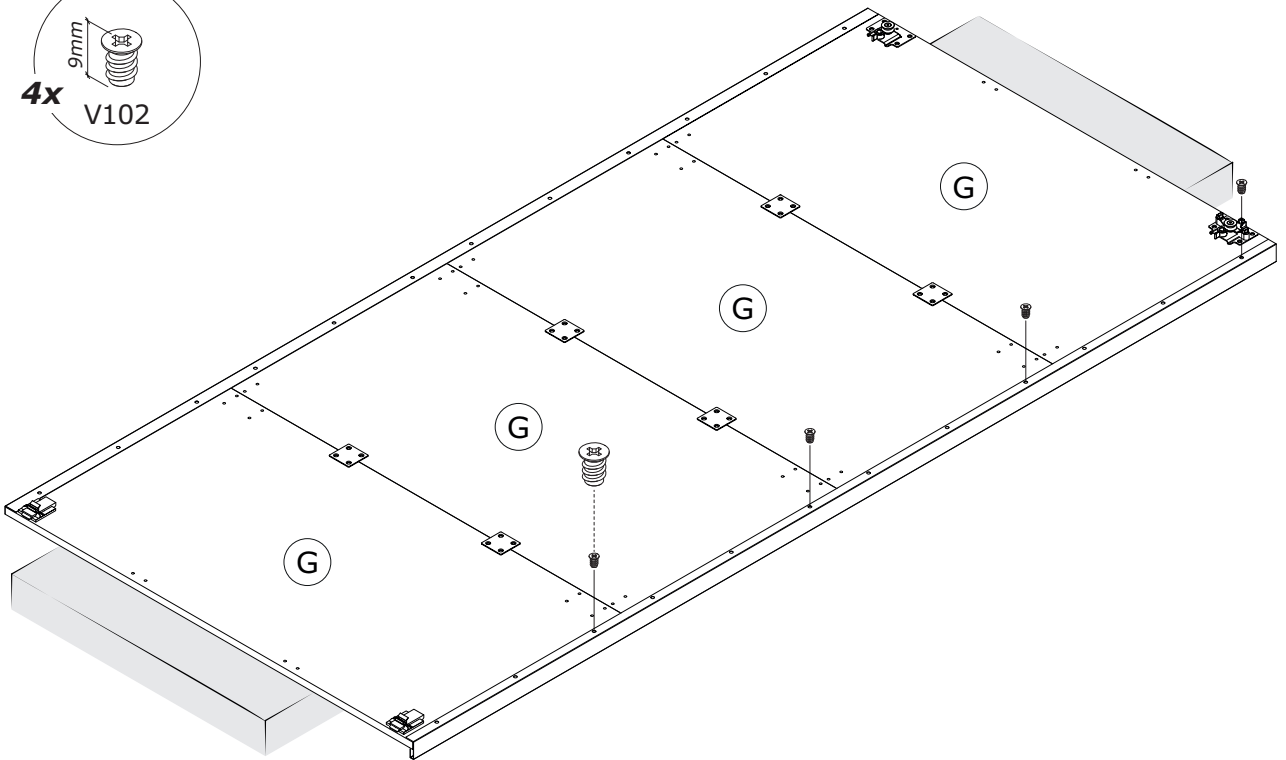
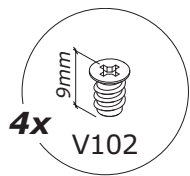
17 B



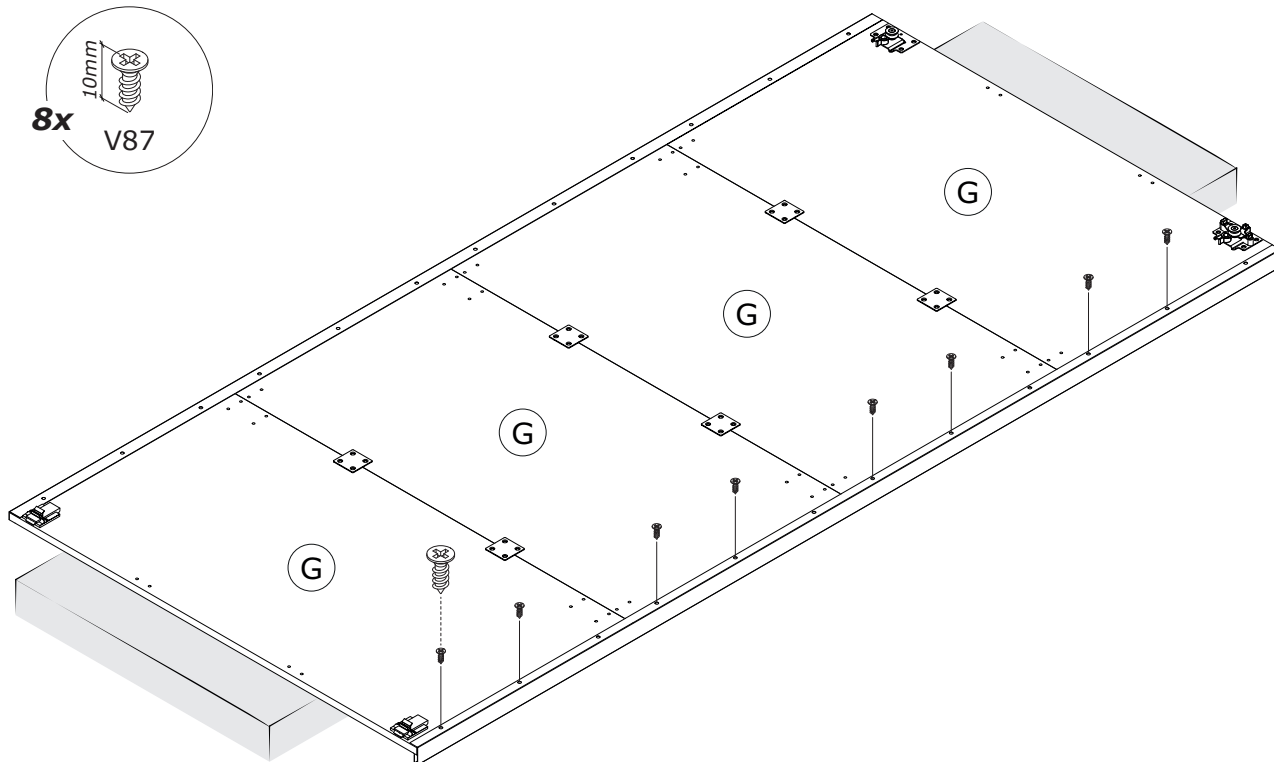
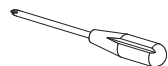
18 B



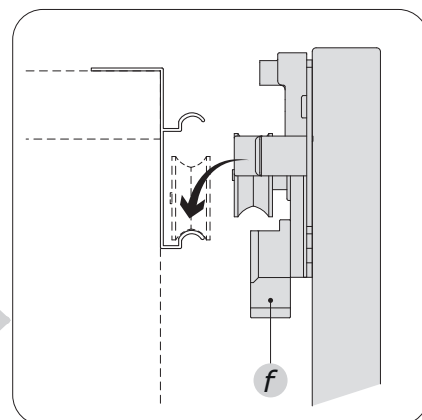
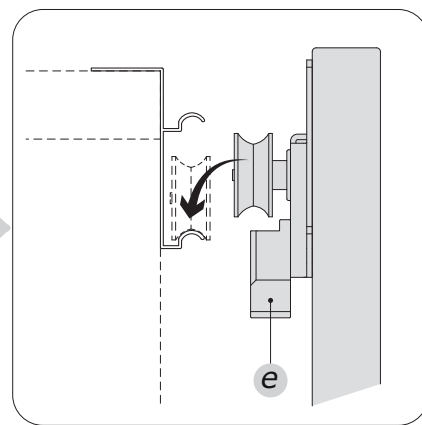
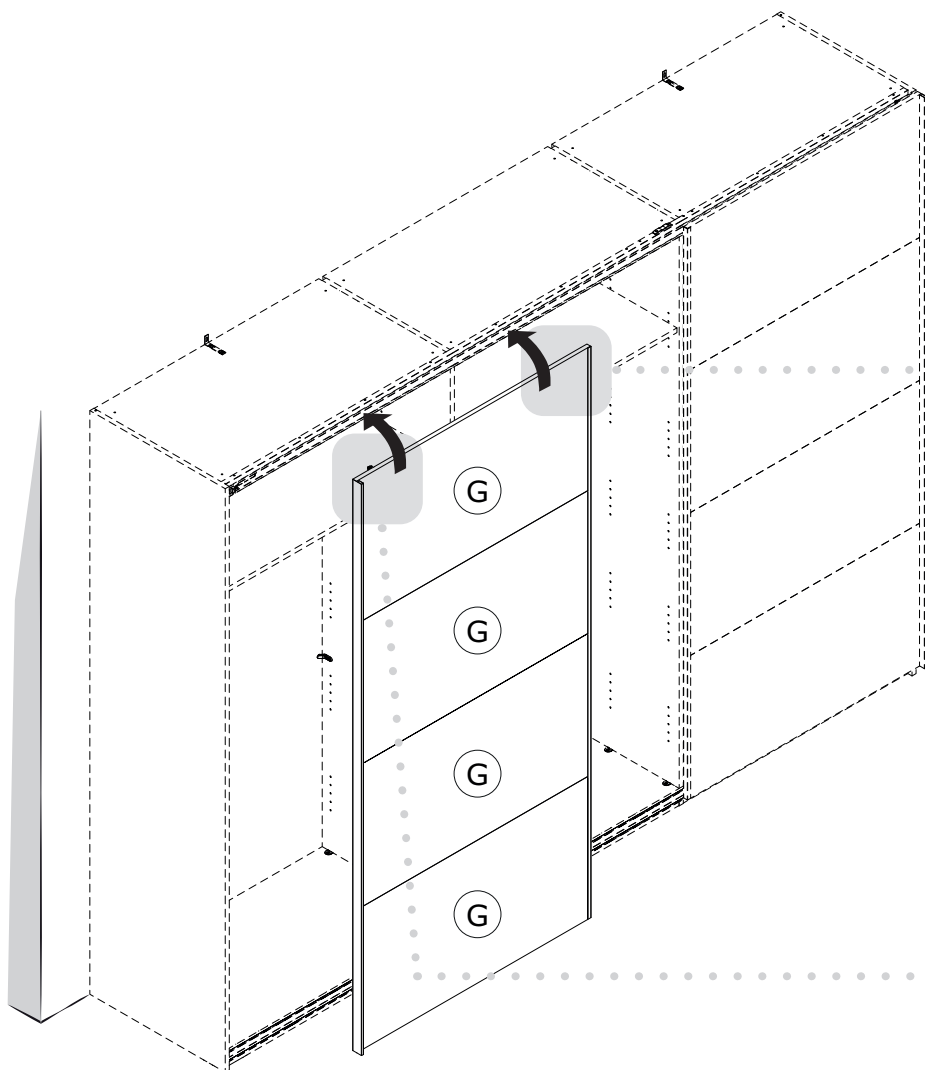
19 B



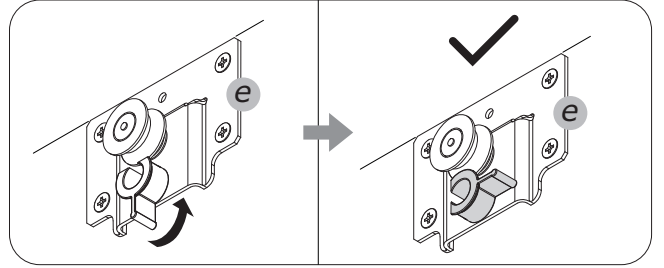
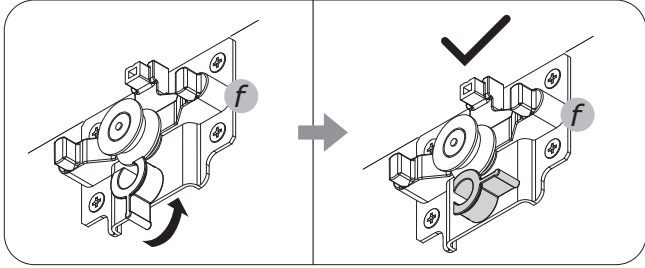
20 B



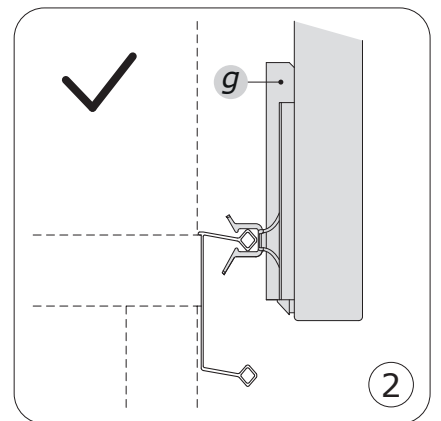
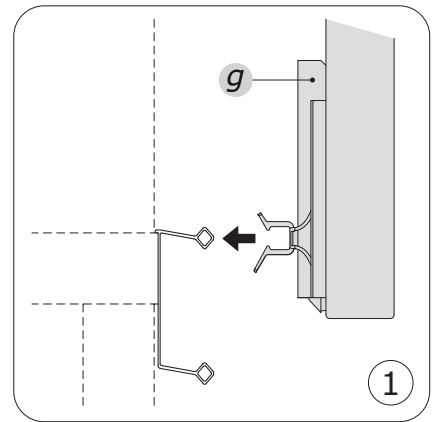
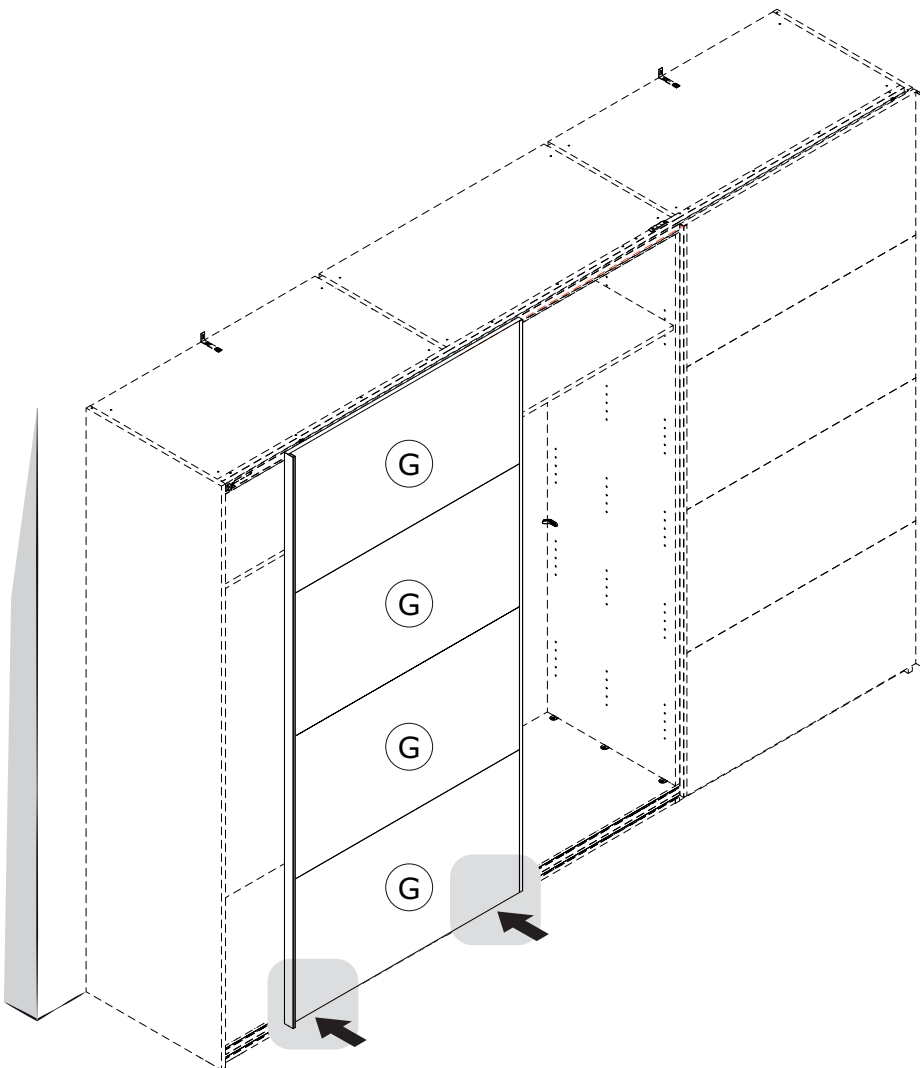
21 B



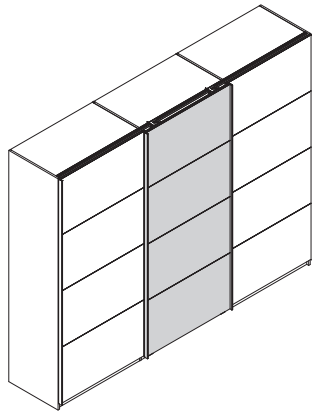
22 B



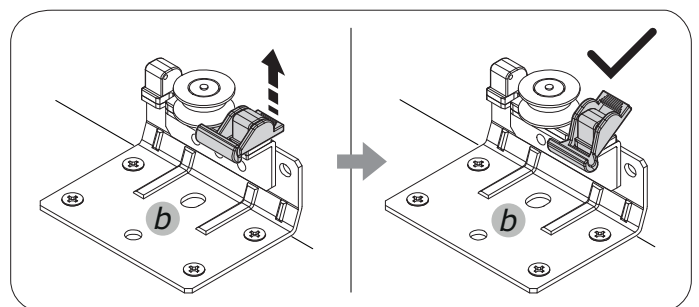
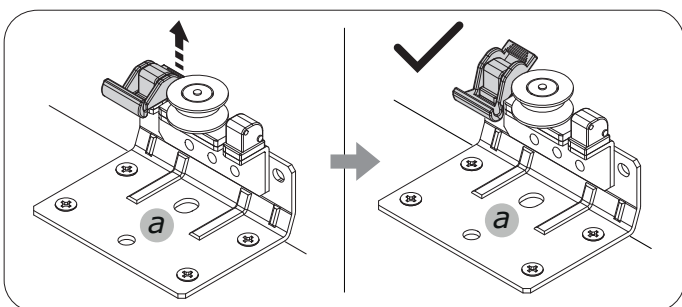
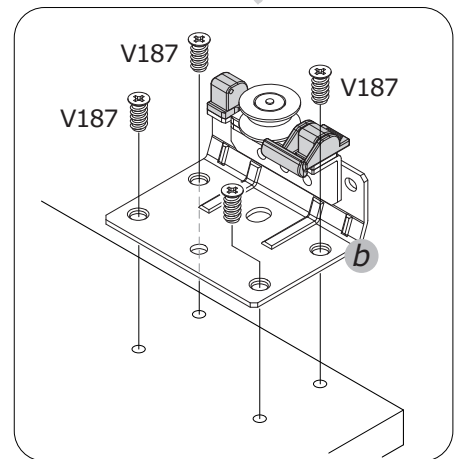
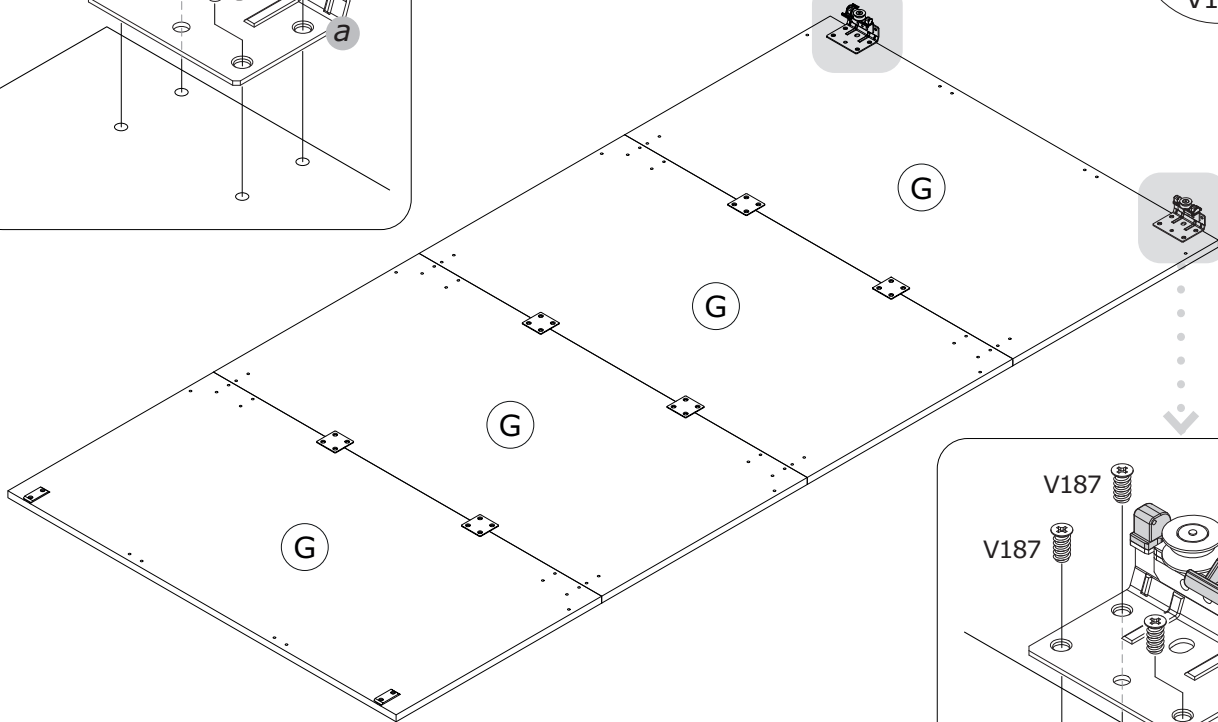
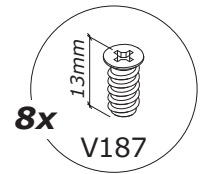
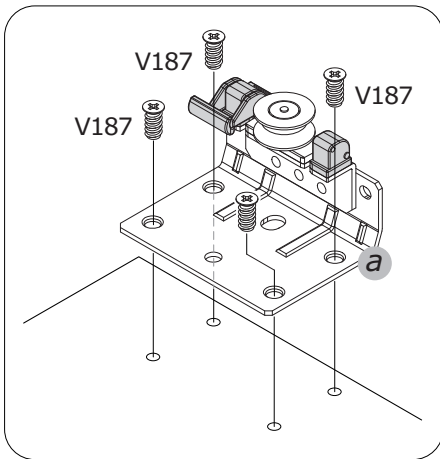
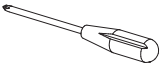
23 B



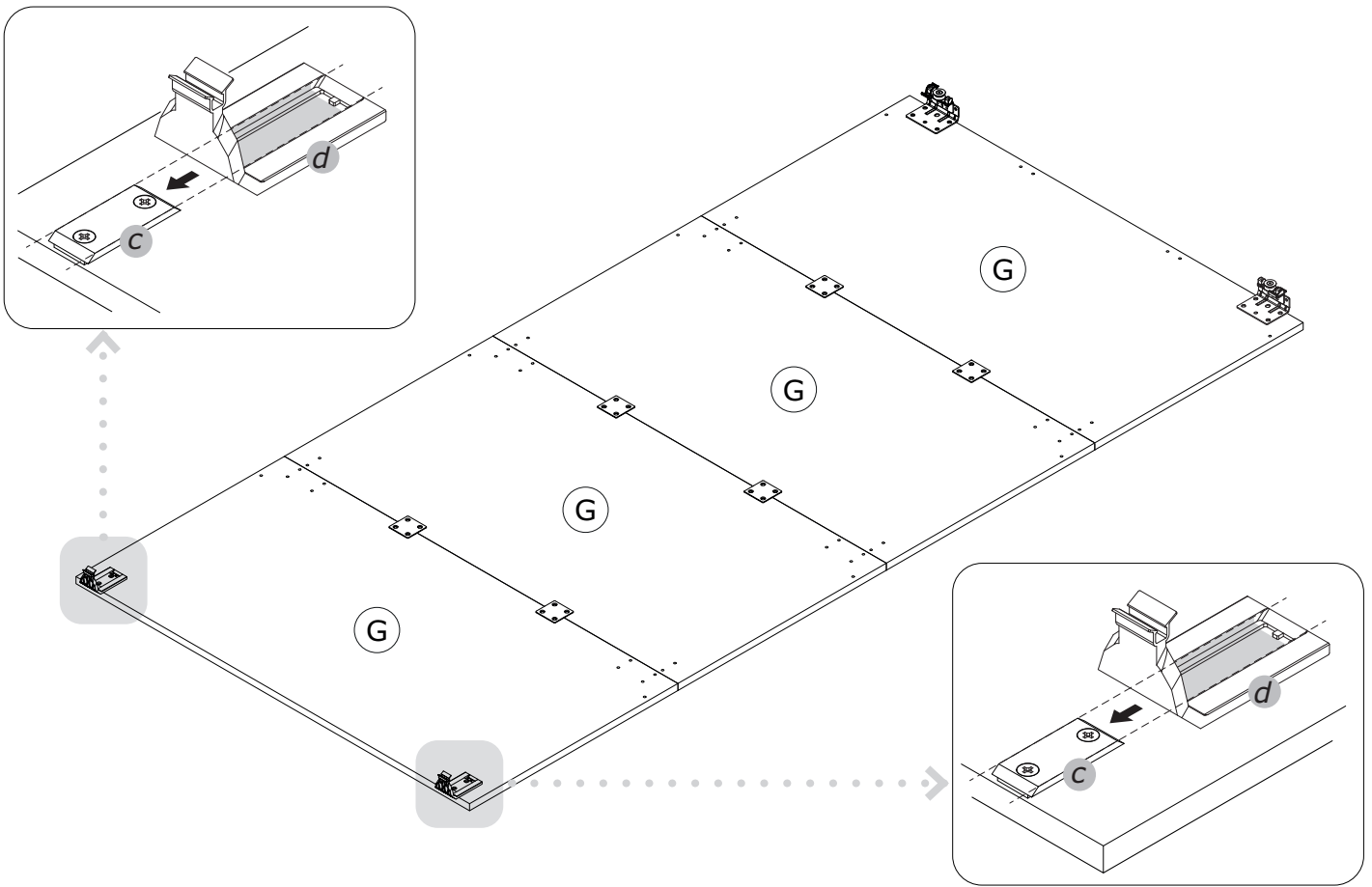
C



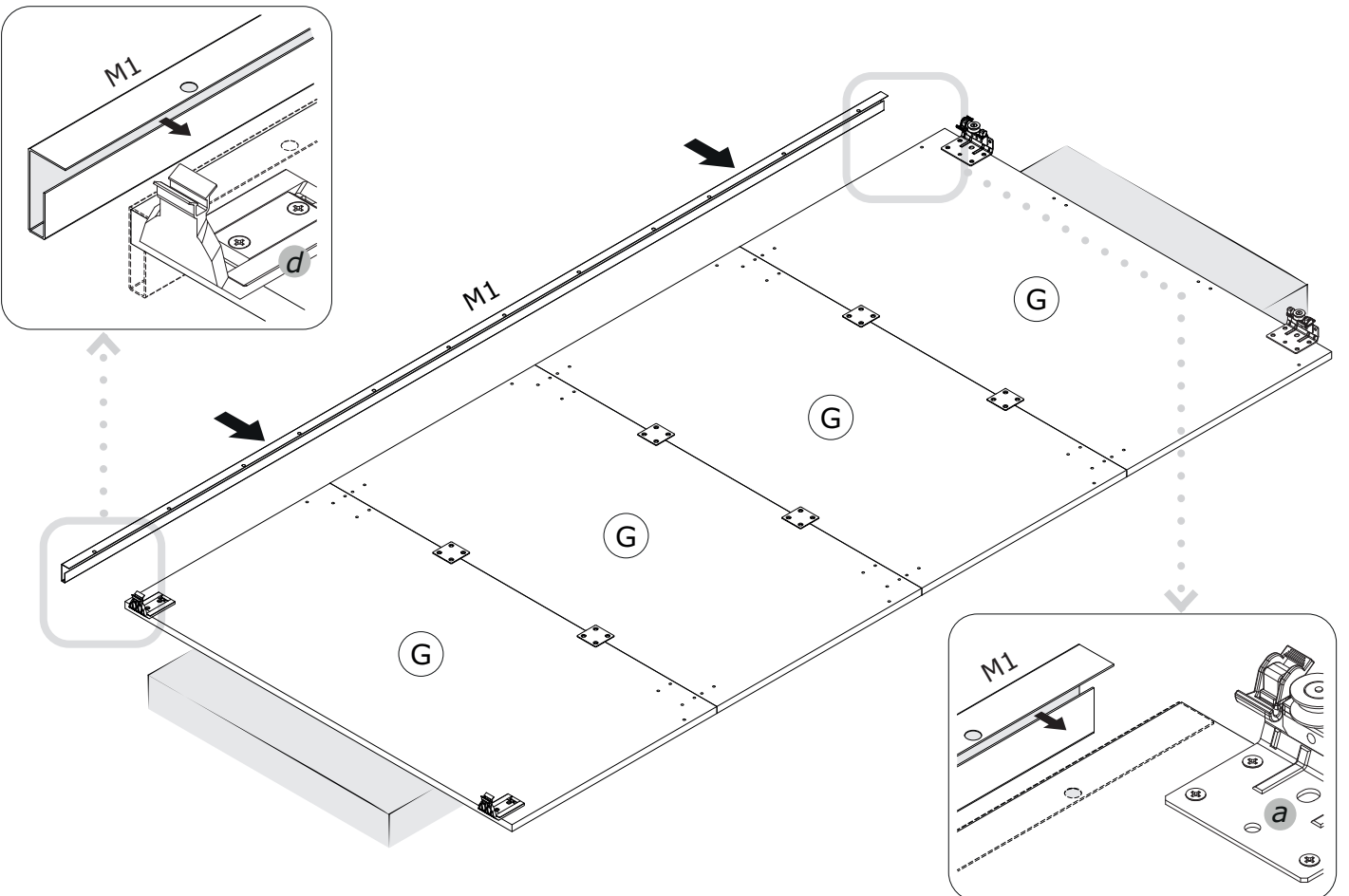
24 C



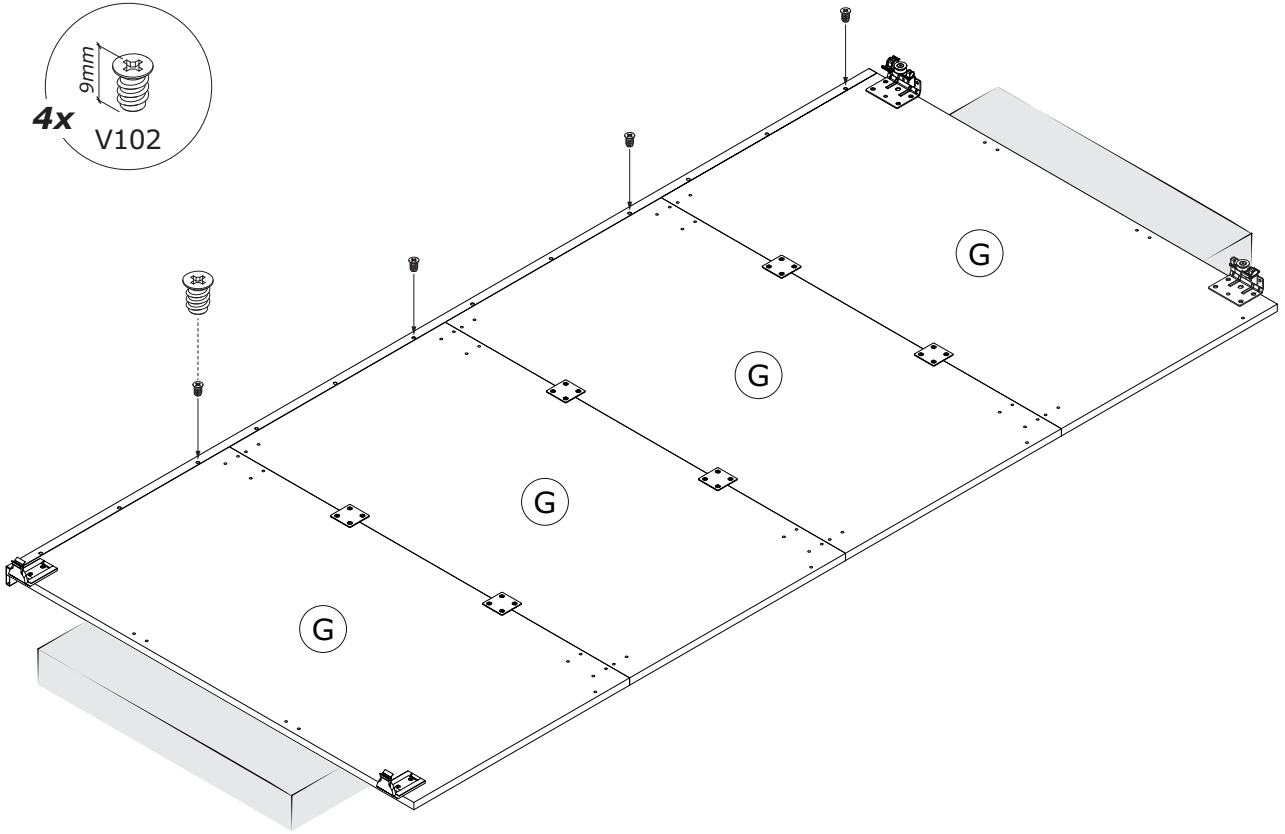
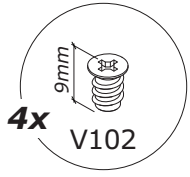
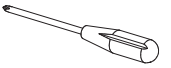
25 C



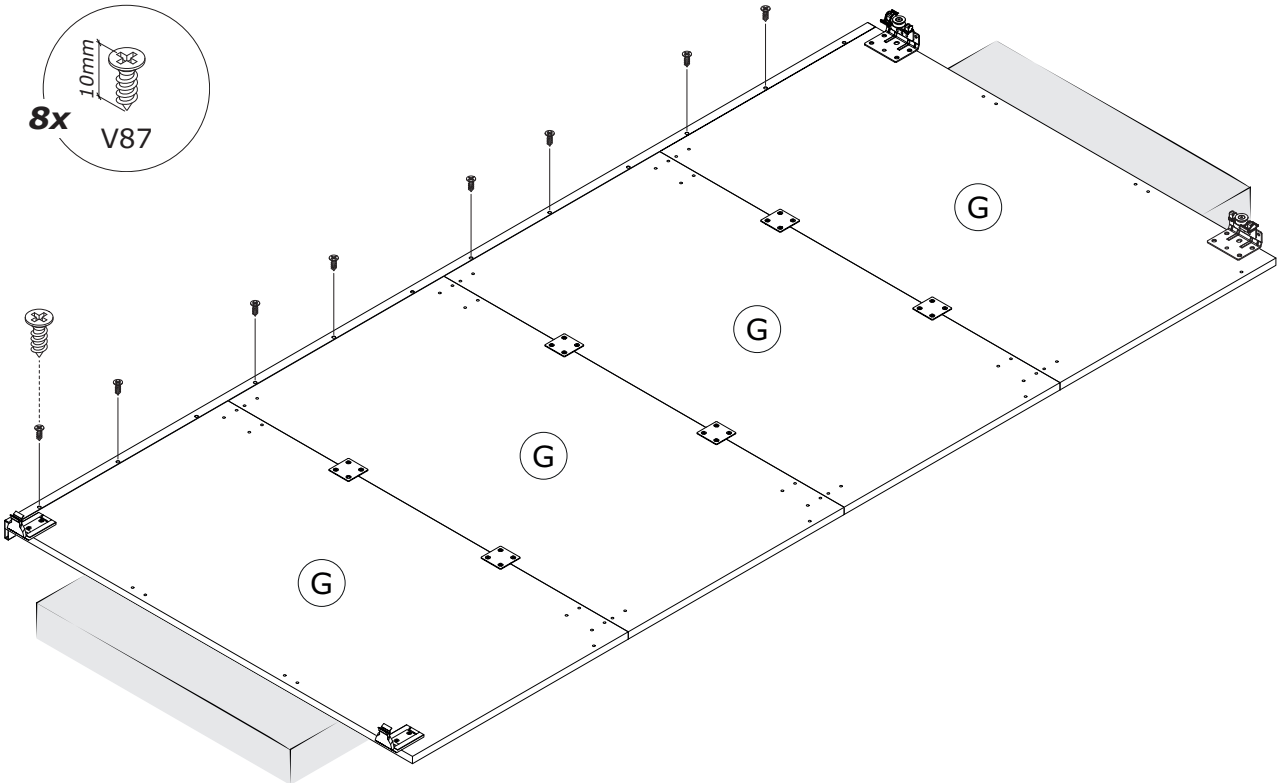
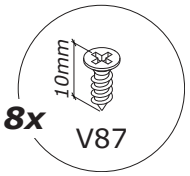
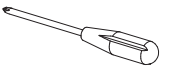
26 C



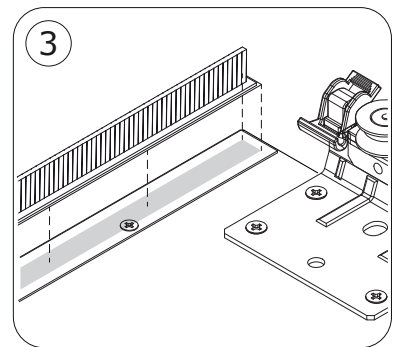
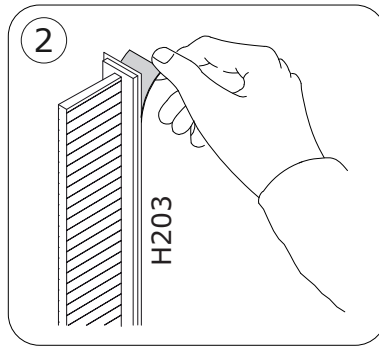
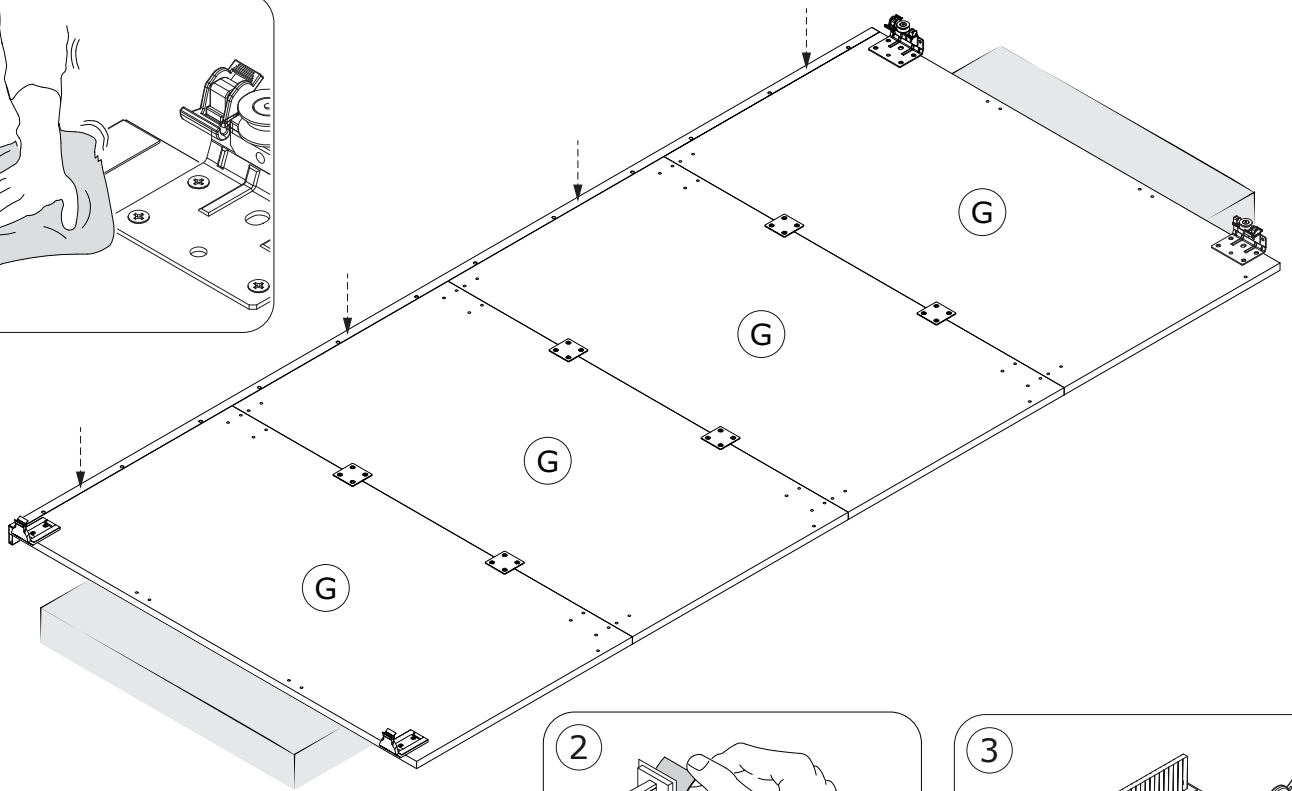
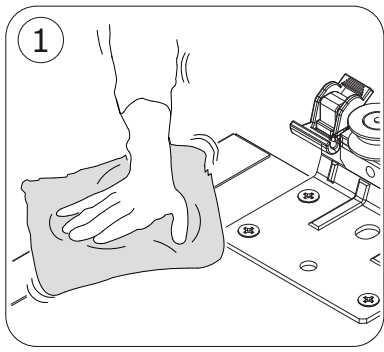
27 C



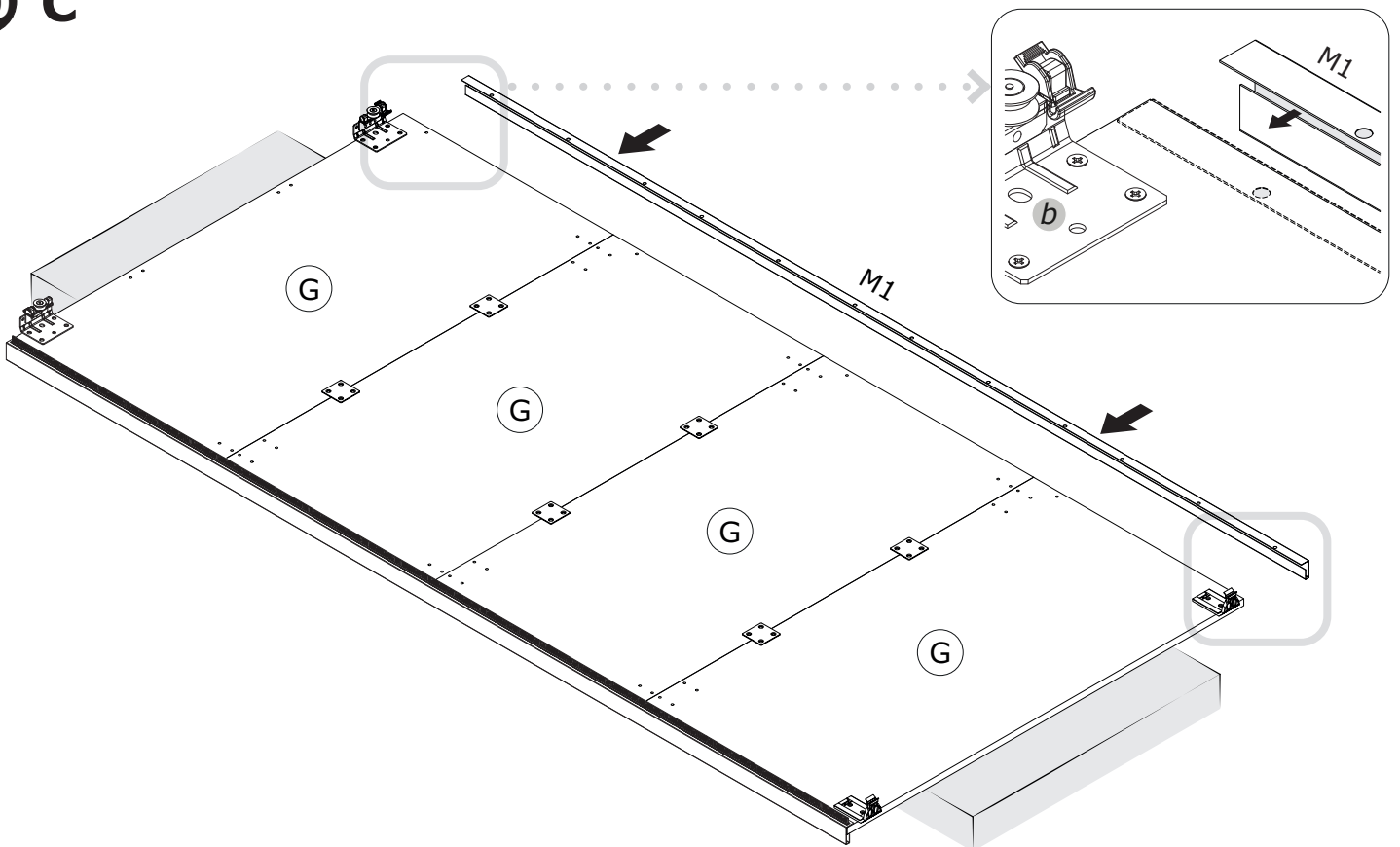
28 C



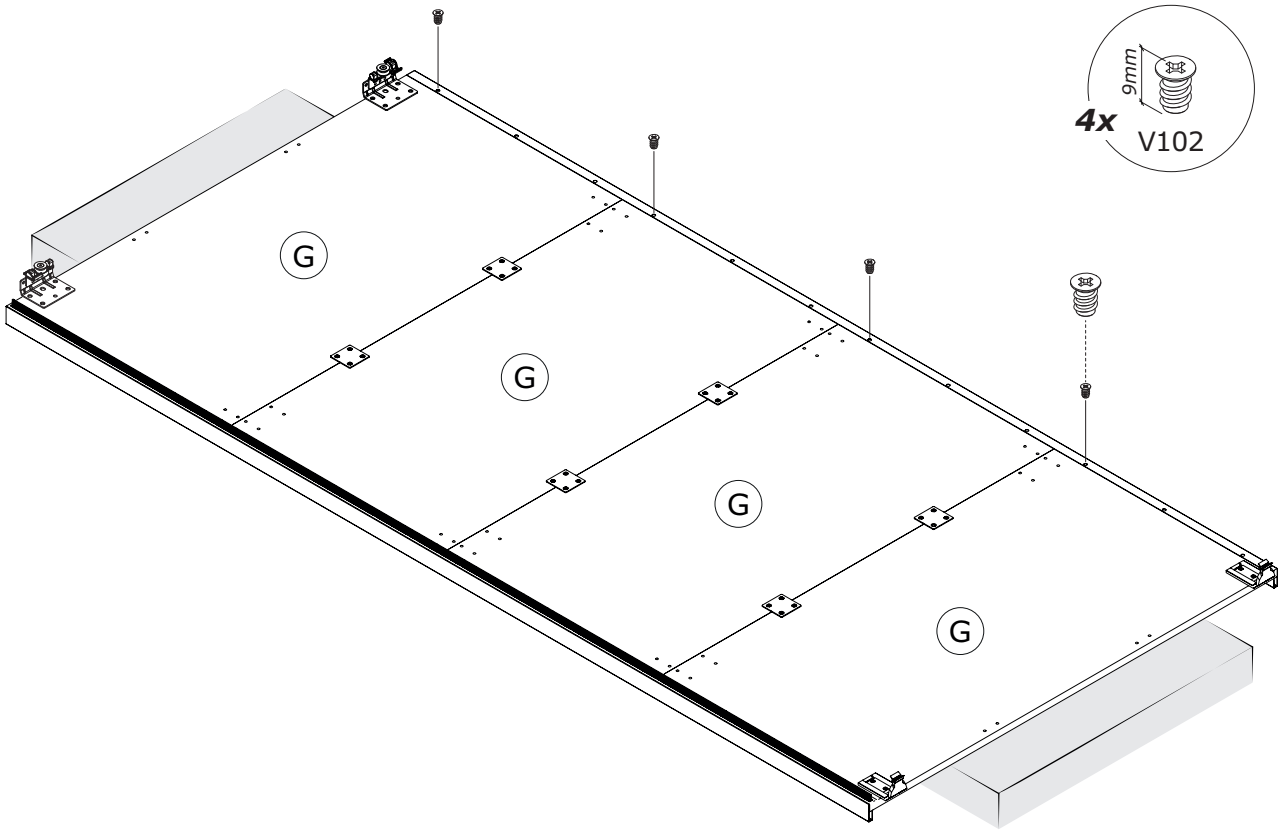
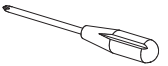
29 C



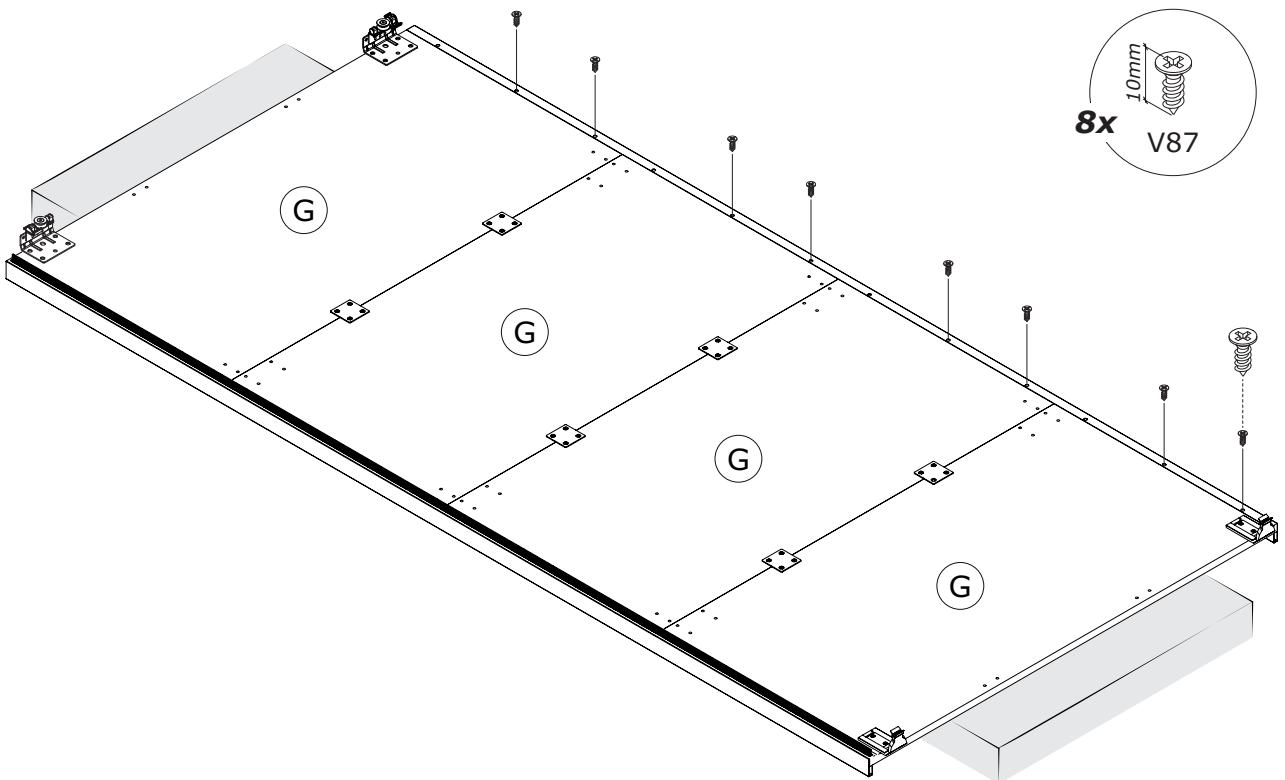
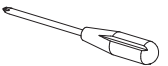
30 C



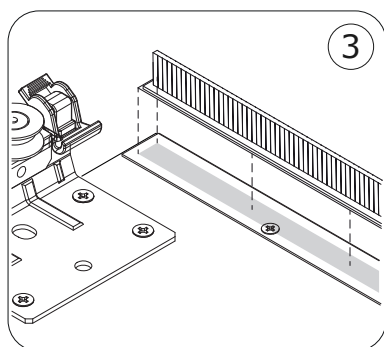
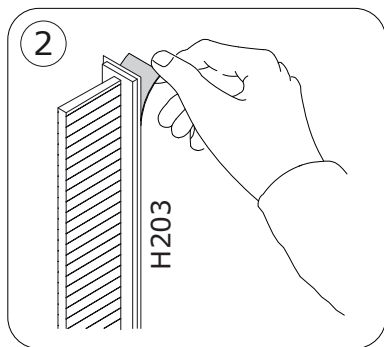
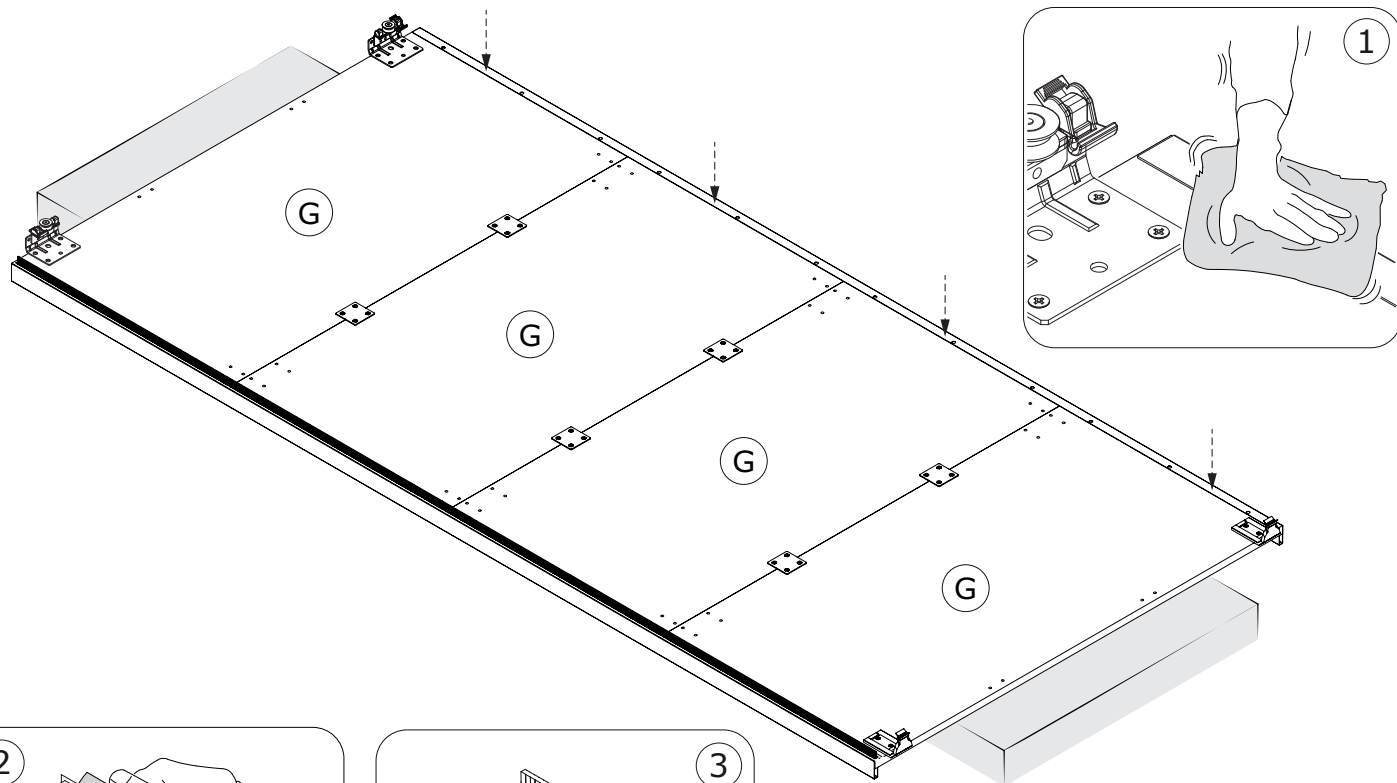
31 C



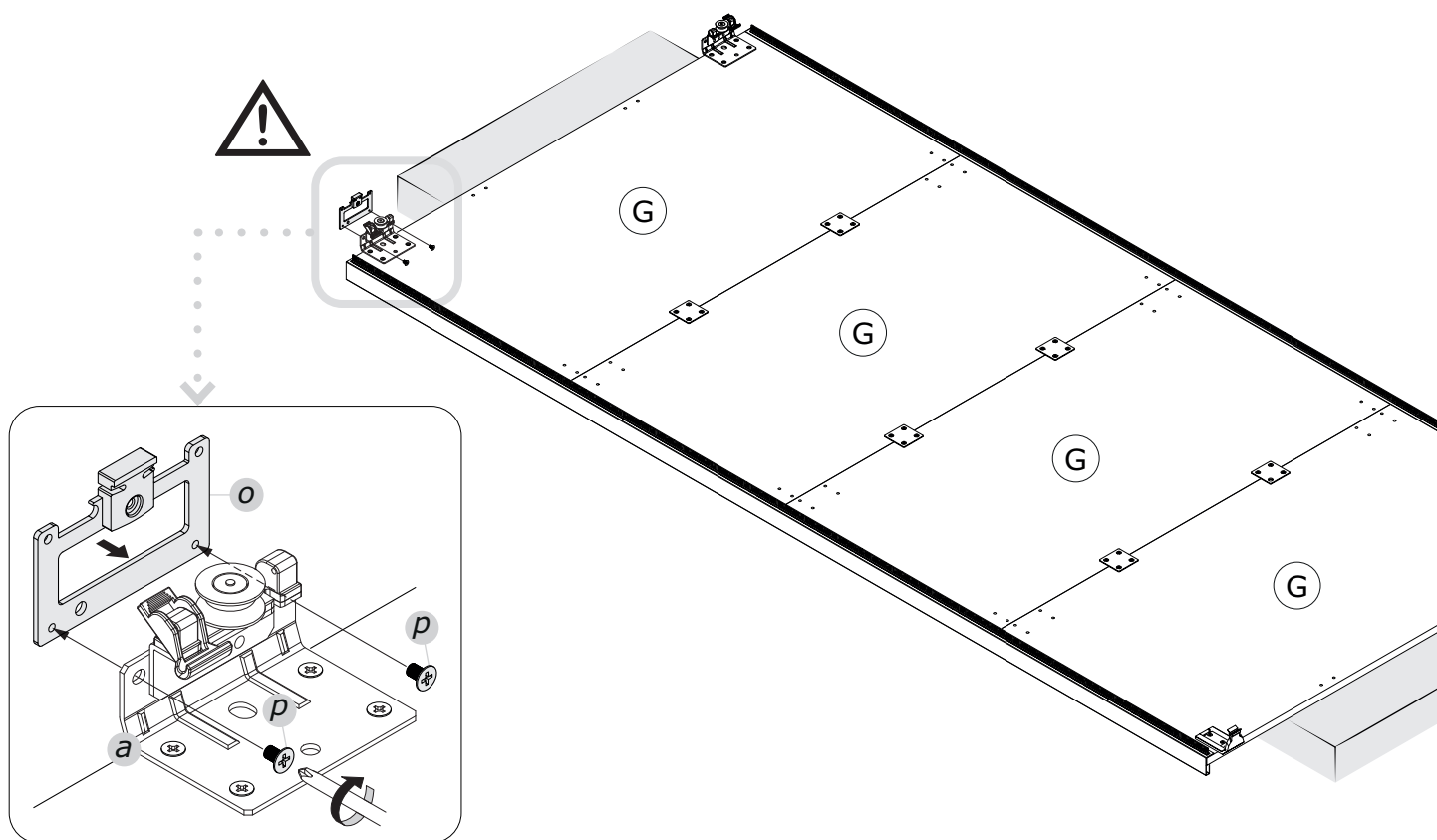
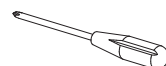
32 C



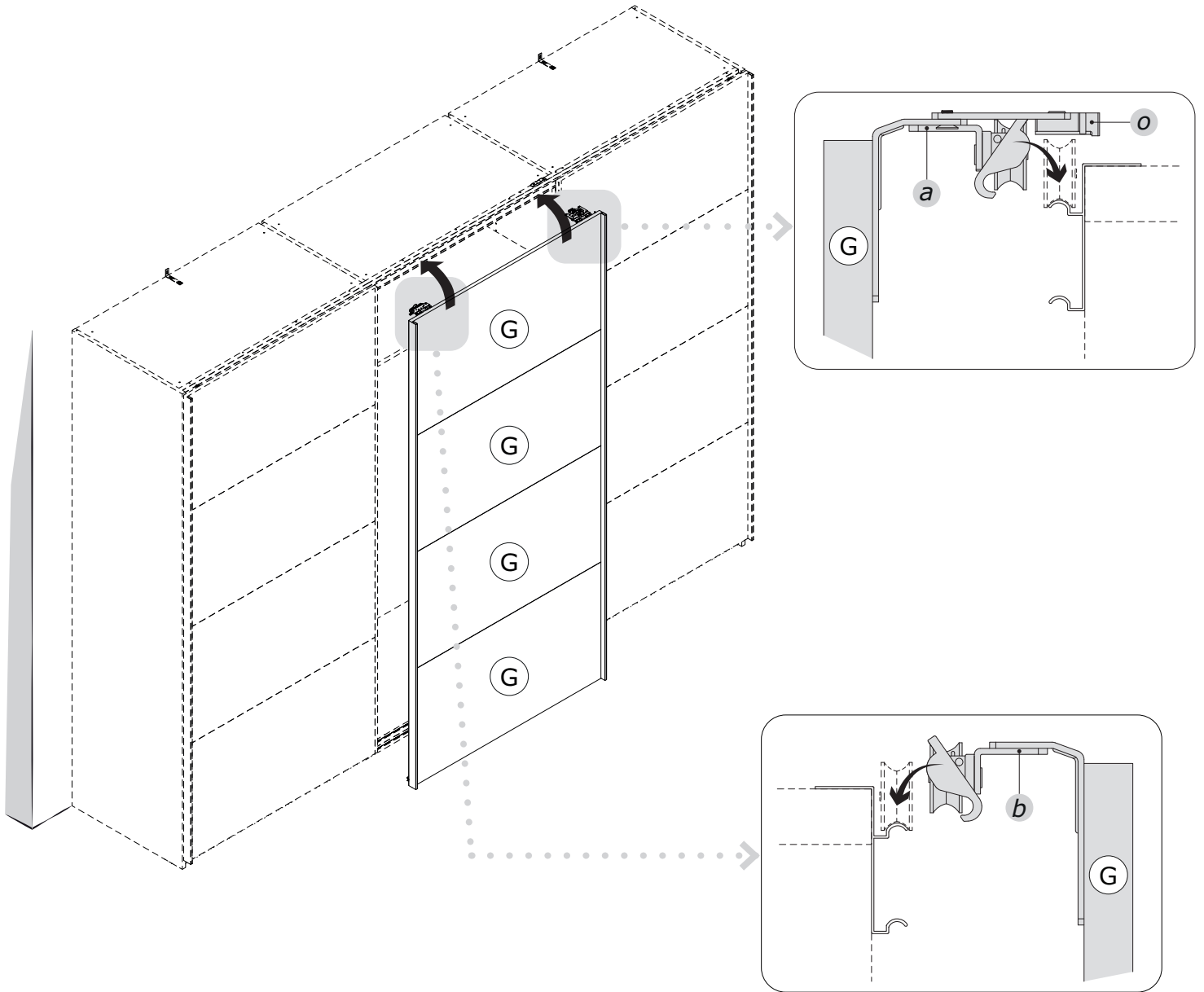
33 C



34 C



35 C



36 C

