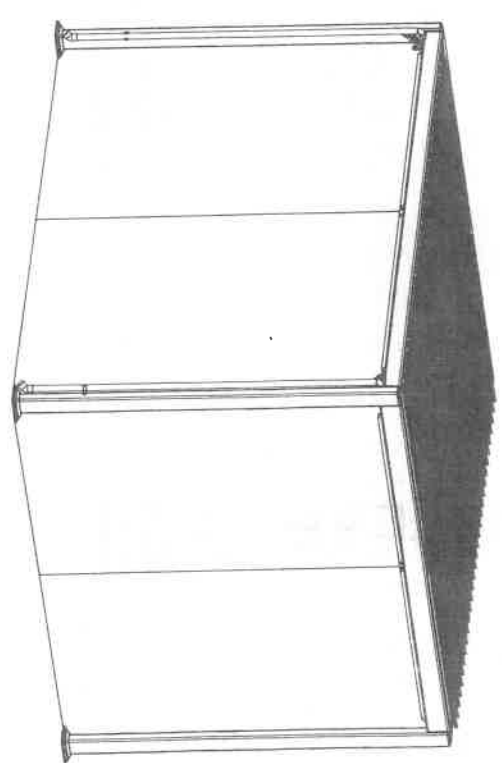


- EN Assembly Instruction
- FR Instructions de montage
- DE Aufbauanleitung
- ES Instrucciones de montaje
- PT Instruções de montagem
- NL Montage Instructies



Padero/Curtano

Prod. Code 957470/957166



Ce produs este ecologic
si este pentru utilizare
si in interior si exterior.
Modura a info.
Pentru mai multe detalii
vizitati pe site-ul nostru
www.consigliantini.fr

MWH GMBH
Blindisenweg 23
41468 Neuss
Germany
www.mwh-garden.com
info@mwhgmbh.de

FR A monter soi même.

Utilisation domestique uniquement. Attention aux risques de cisaillement et de pincement en cours de manipulation.

IMPORTANT, A CONSERVER POUR CONSULTATION ULTERIEURE, A LIRE SOIGNEUSEMENT.

EN Easy self-assembly.

For domestic use only. Be careful of shear and squeeze risks during use.

IMPORTANT, PLEASE READ CAREFULLY AND RETAIN FOR FUTURE REFERENCE.

DE Einfache Selbstmontage.

Nur für den Hausgebrauch bestimmt. Bitte vorsichtig mit beweglichen Teilen umgehen, aufgrund möglicher Einklemmungsgefahr.

WICHTIG, BITTE SORGFÄLTIG LESEN UND FÜR ZUKÜNFTIGE ZWECKE GUT AUFBEWAHREN.

ES Montaje sencillo.

Para uso doméstico. Tener precaución de no pellizcarse durante su uso.

ESTUDIE ATENTAMENTE EL MANUAL DE MONTAJE. CONSERVE SU MANUAL DE MONTAJE.

PT Fácil montagem.



















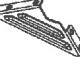



Para uso doméstico. Tenha cuidado para não Beliscar durante o uso.

LEIA ATENTAMENTE O MANUAL DE INSTALACAO. APERTAR DEPOS DE ALGUM TEMPO DO US

NL Makkelijk zelf samen te stellen.

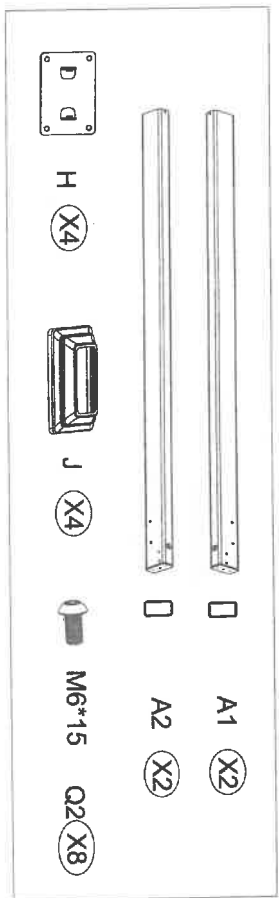
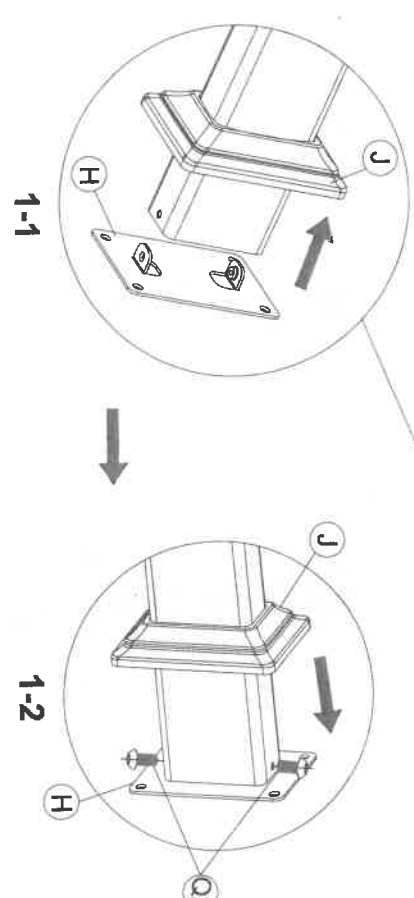
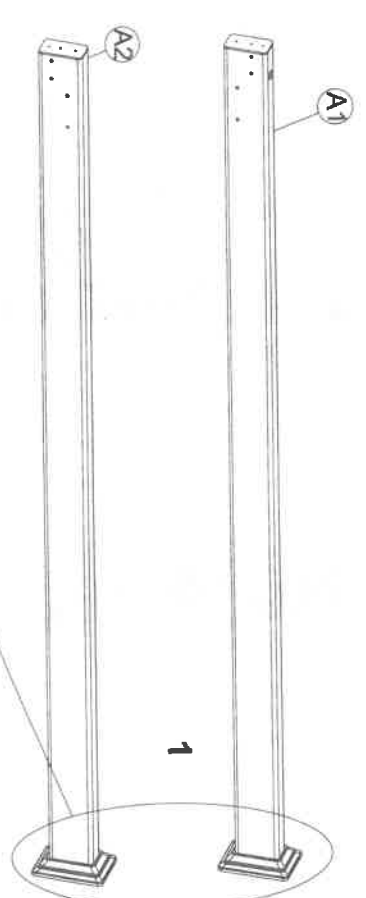
Alleen voor huishoudelijk gebruik. Behandel de onderdelen voorzichtig, er bestaat een risico op letsel.

BELANGRIJK, LEES ALSTUBLIJFT ZORGAAM EN BEWAAR VOOR TOEKOMSTIG GEBRUIK.

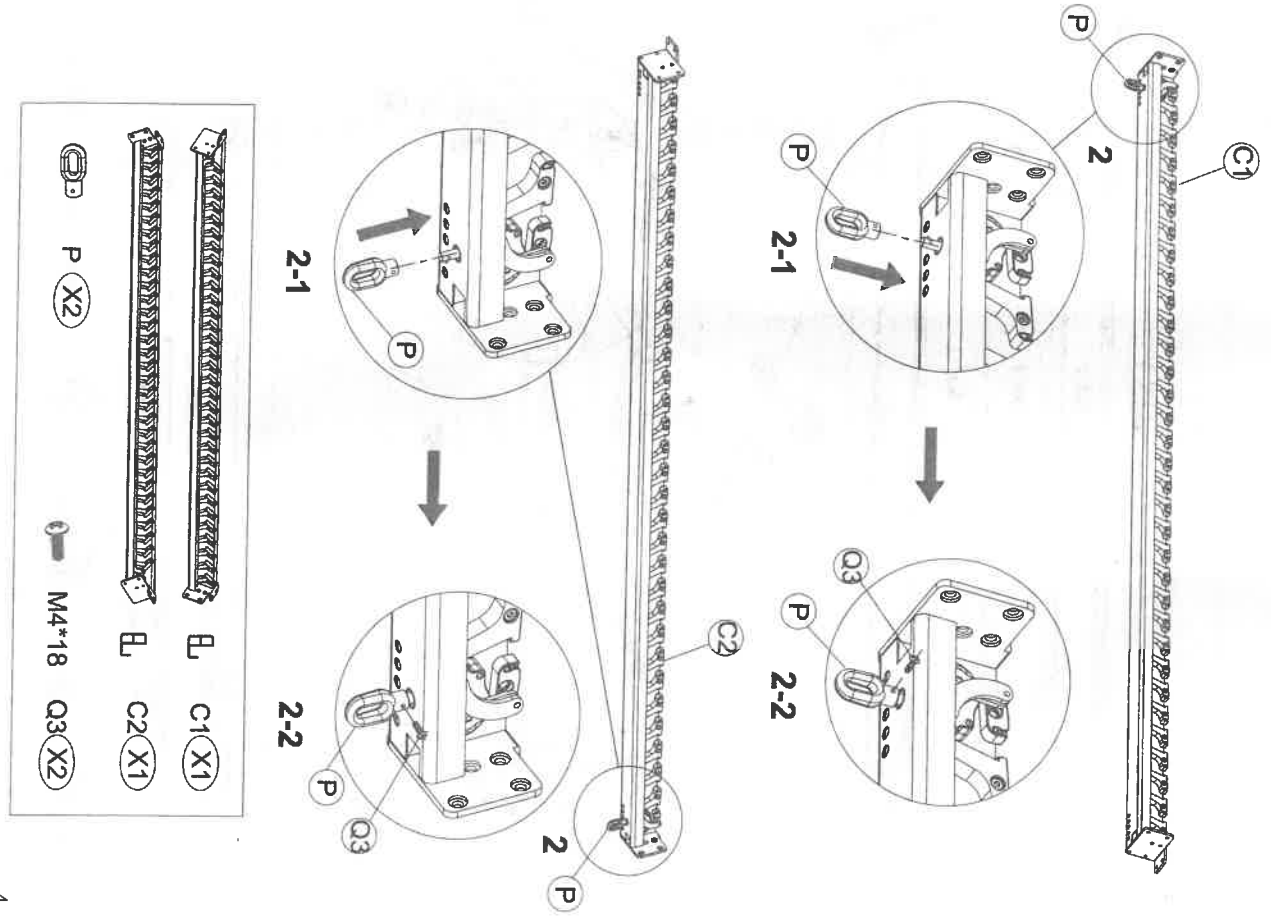
REF	PCE	PIECE	QTY	DIM
A1			2	
A2			2	
B			2	
C1			1	
C2			1	
D			1	
F			64	
G			2	
H			4	
J			4	
M1			2	
M2			2	
N1			2	
N2			2	

REF	PCE	PIECE	QTY	DIM
P			2	
Q1			56+2	
Q2			8+1	
Q3			2	
Q4			6	
Q5			28+2	
Q6			16+2	
Q7			8+1	
R			1	
S1			1	
S2			1	
S3			2	
T			4	
V			4	
W			4	
W1			4	
X			8	

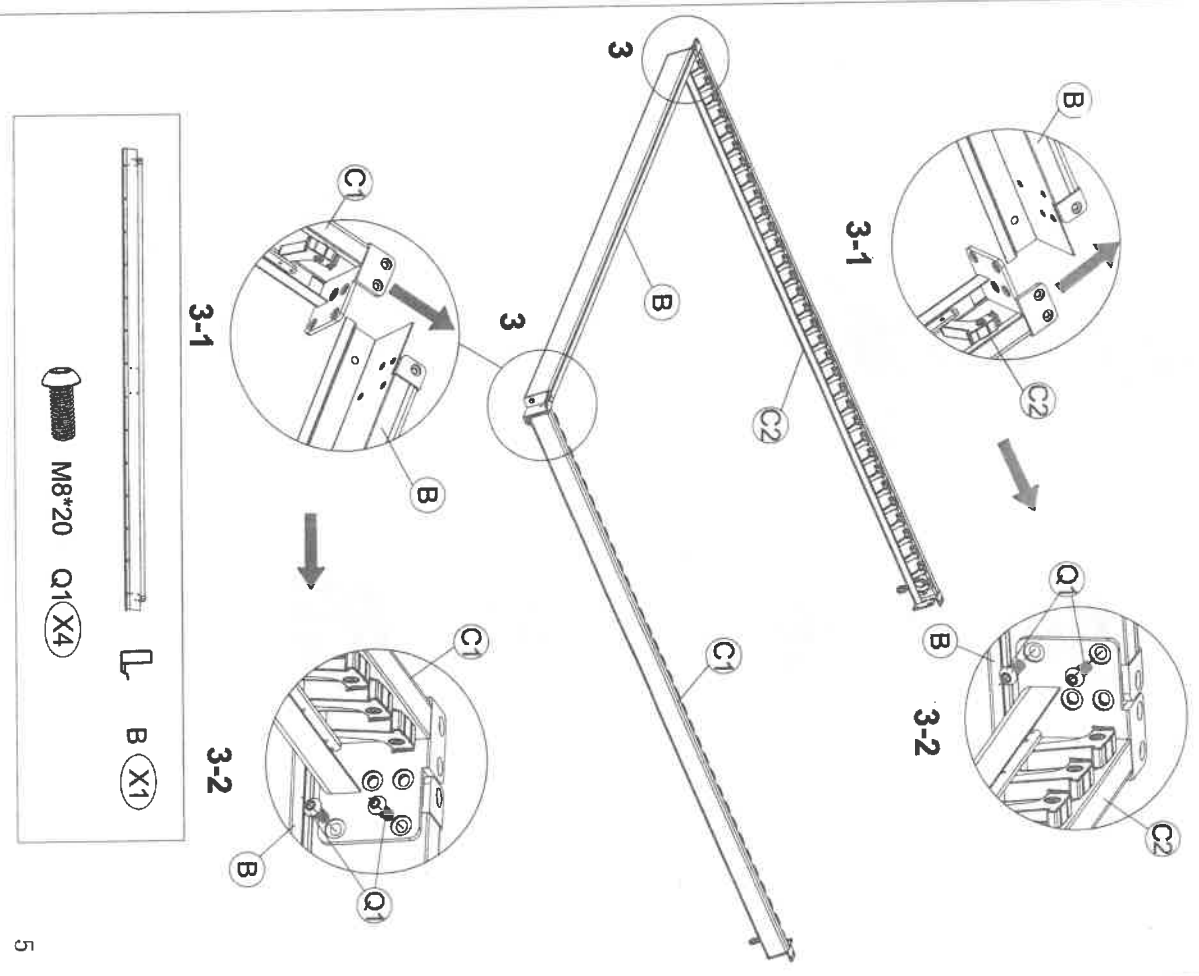
STEP 01



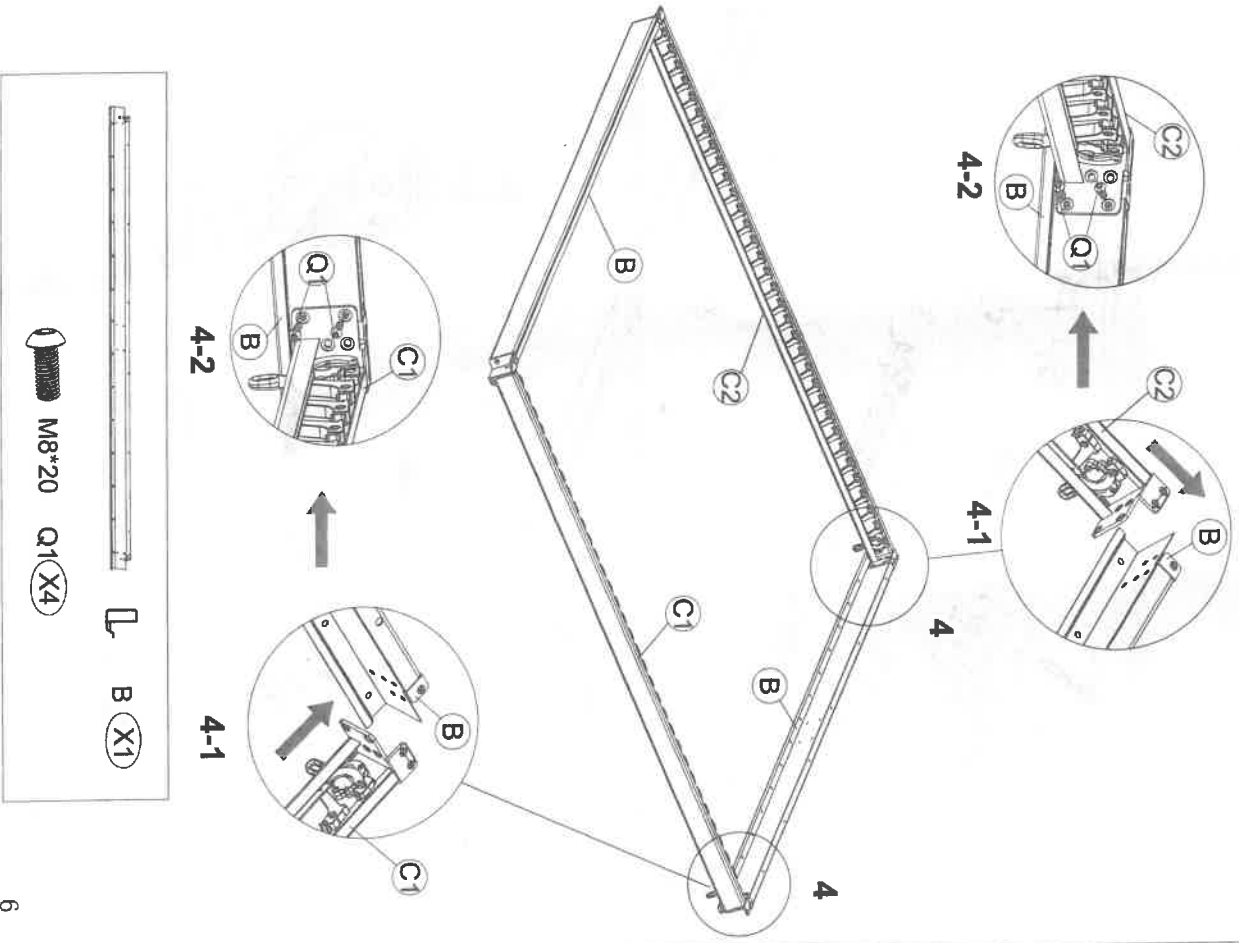
STEP 02



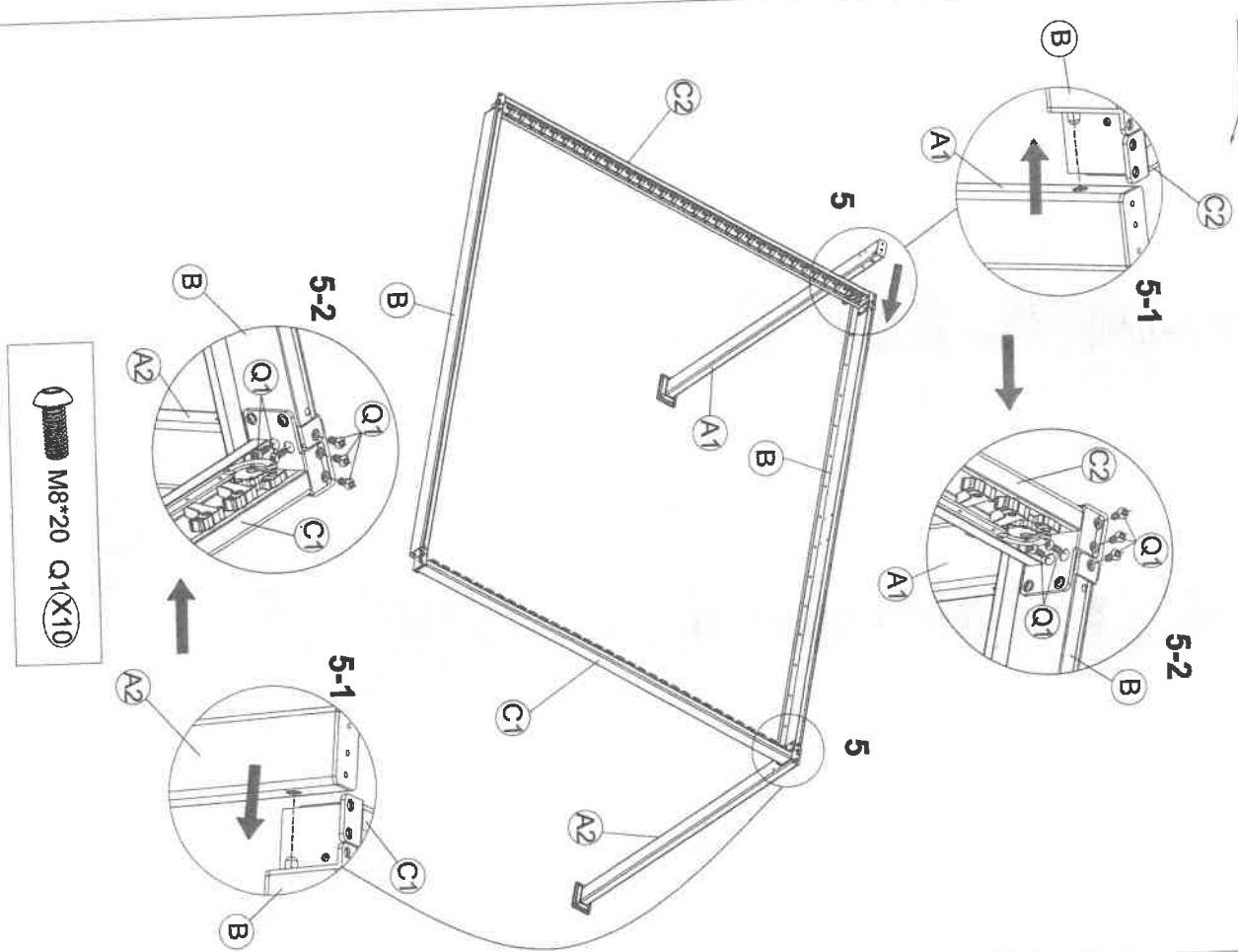
STEP 03



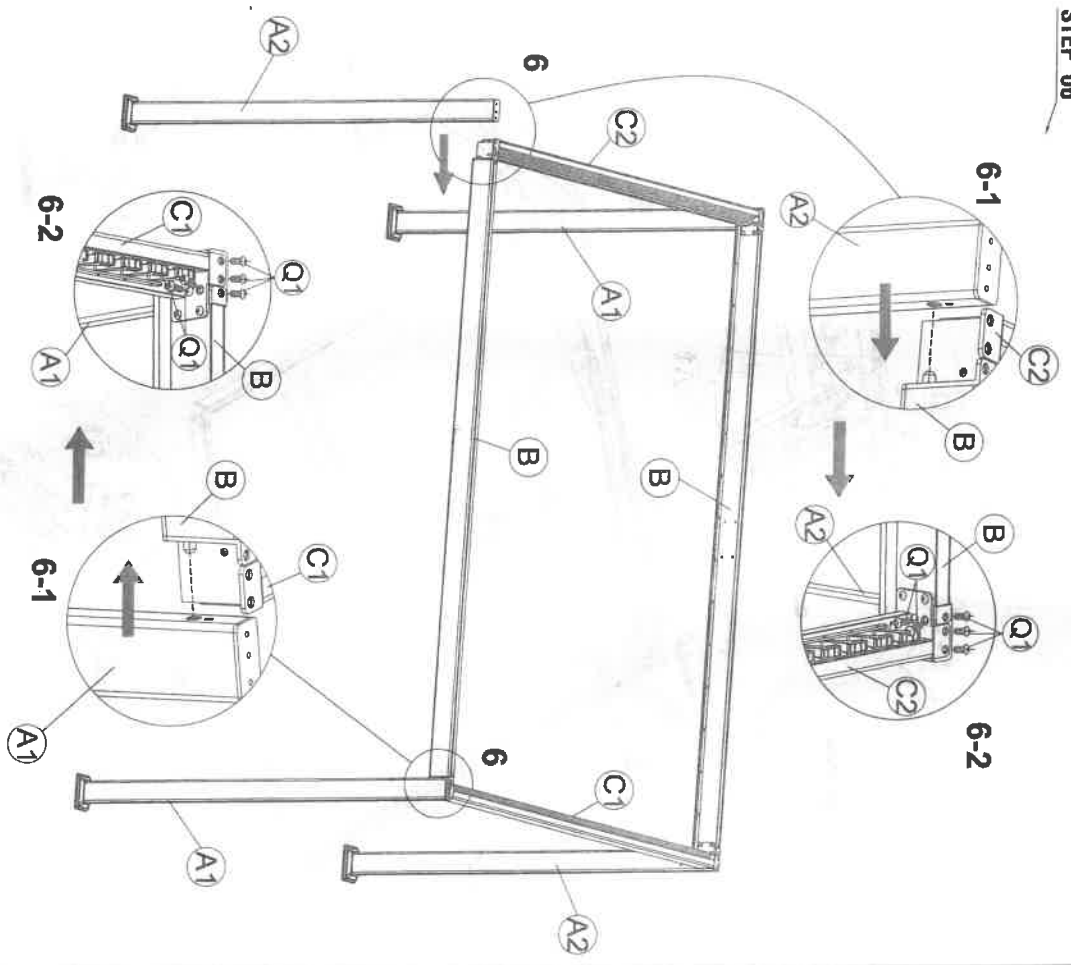
STEP 04



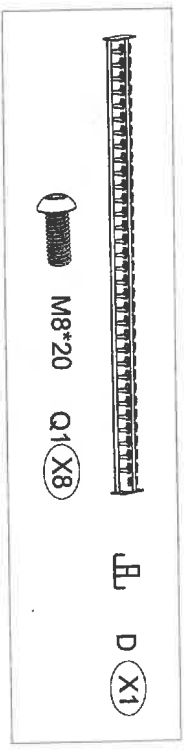
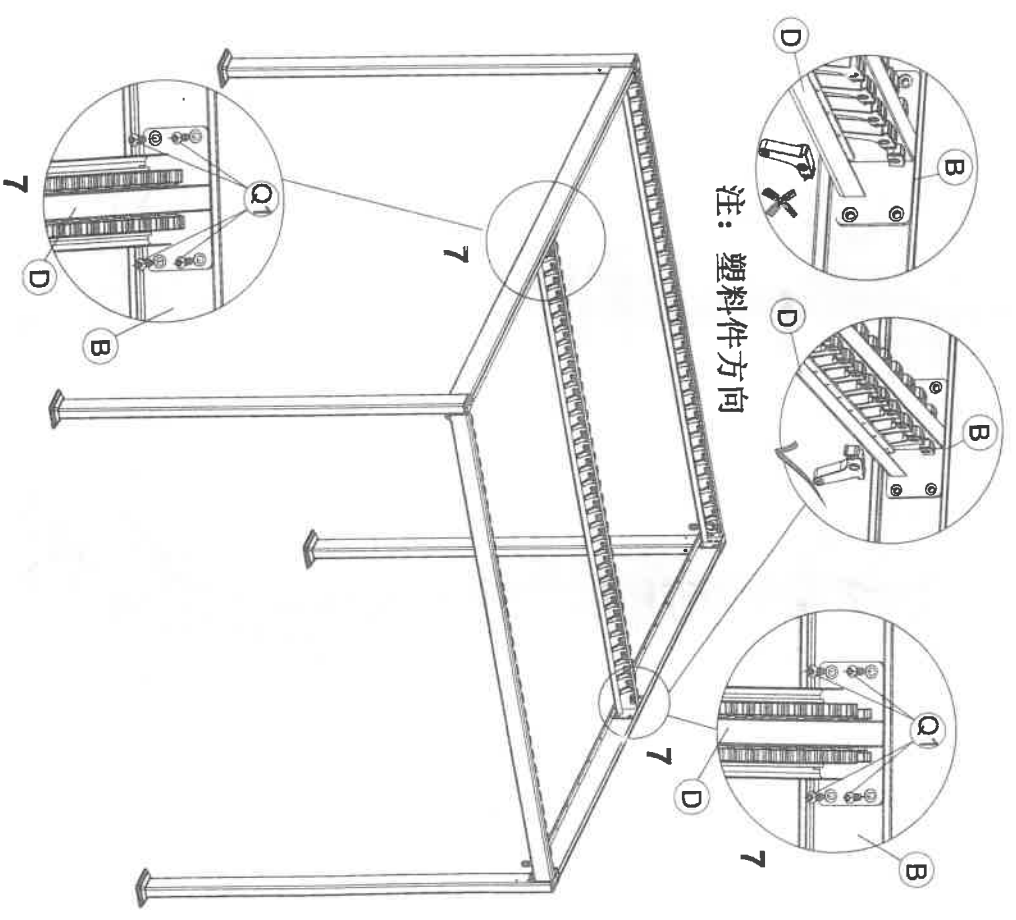
STEP 05



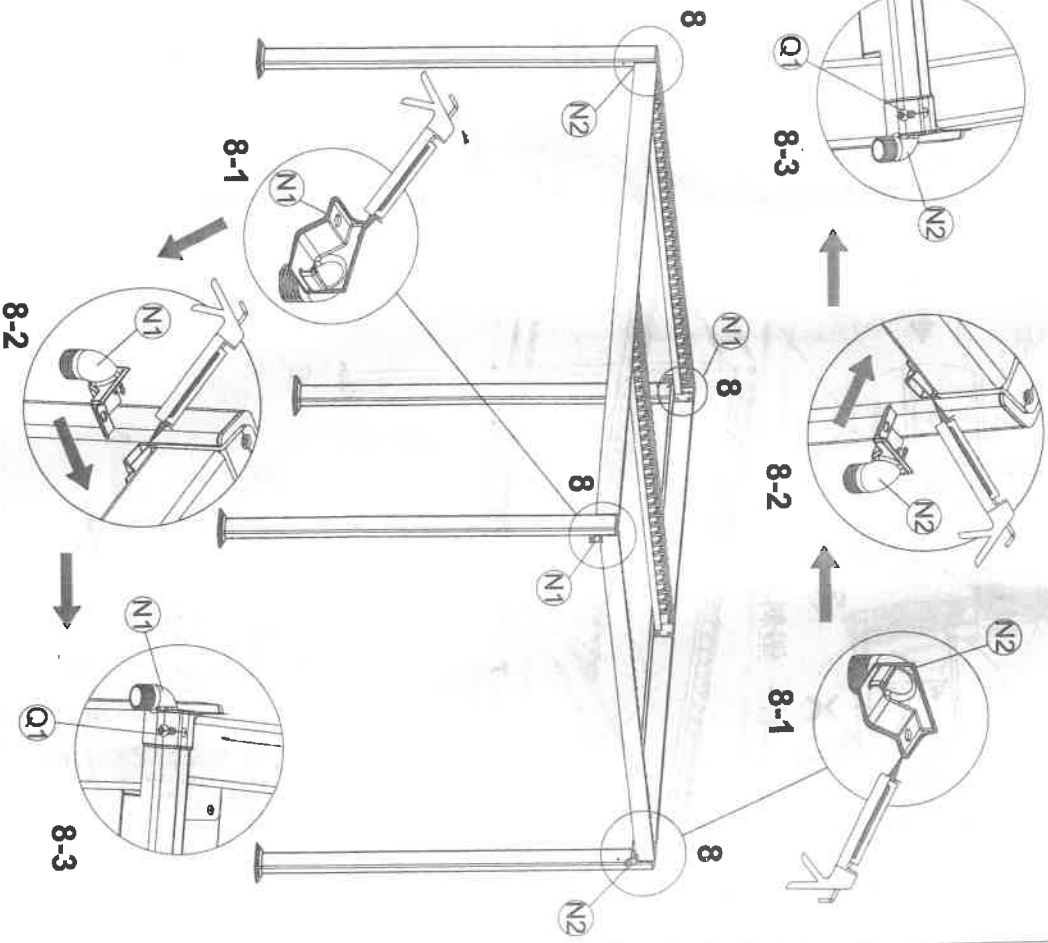
STEP 06



STEP 07

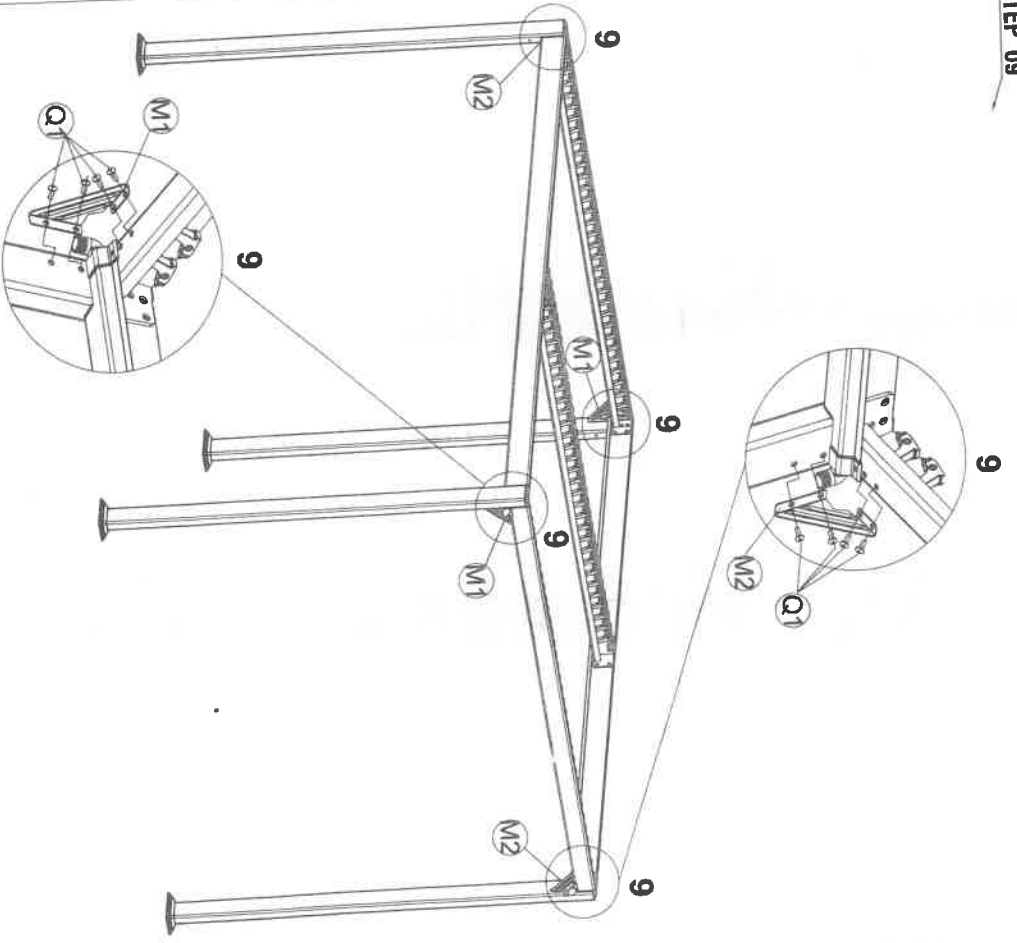







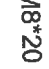

STEP 08



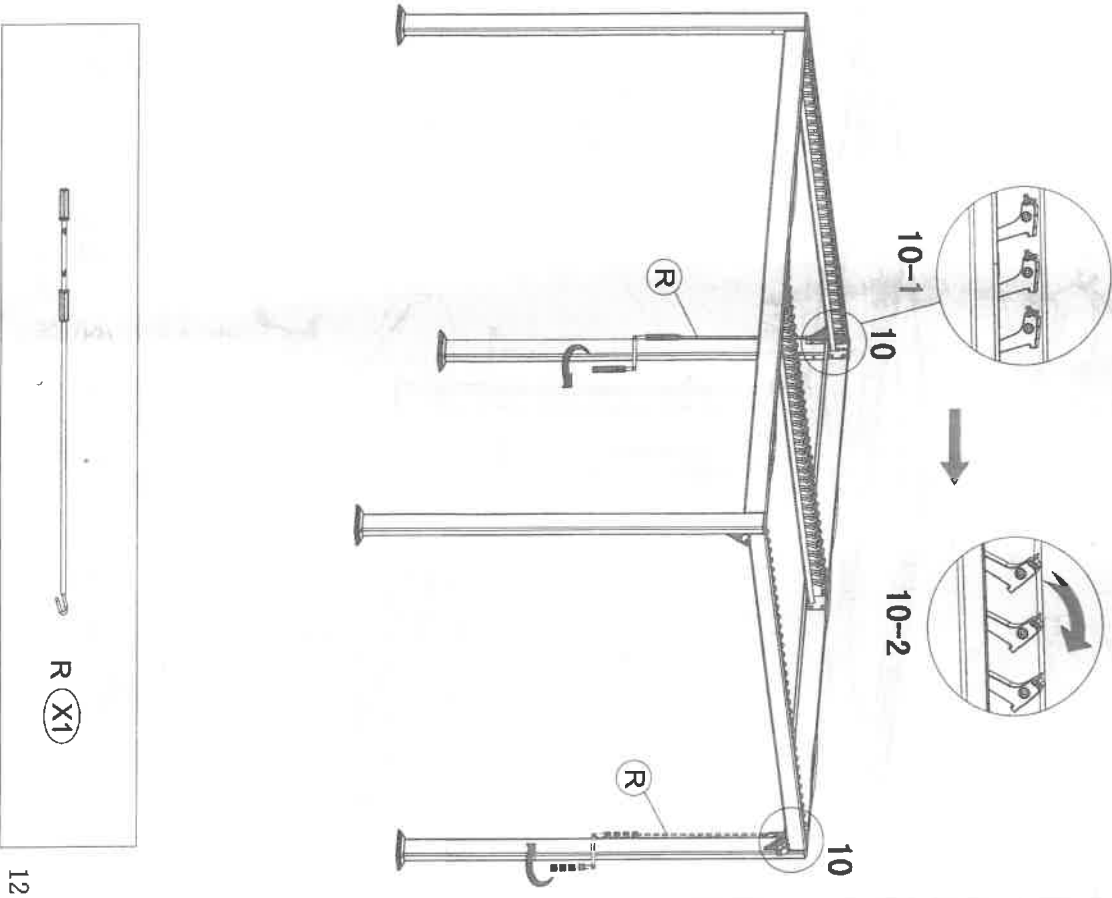
-  N1  X2
-  N2  X2
-  M8*20  Q1  X4

STEP 09



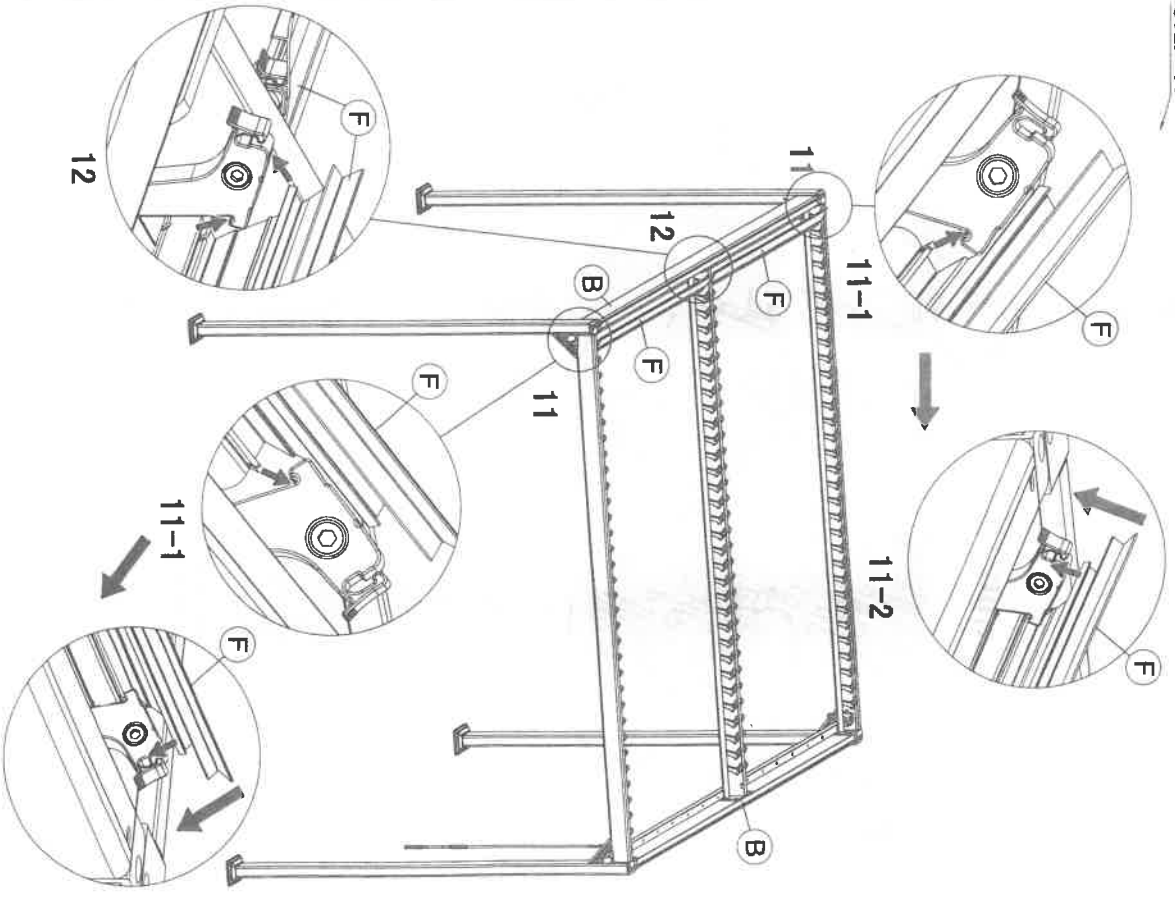
-  M1  X2
-  M2  X2
-  M8*20  Q1  X16

STEP 10



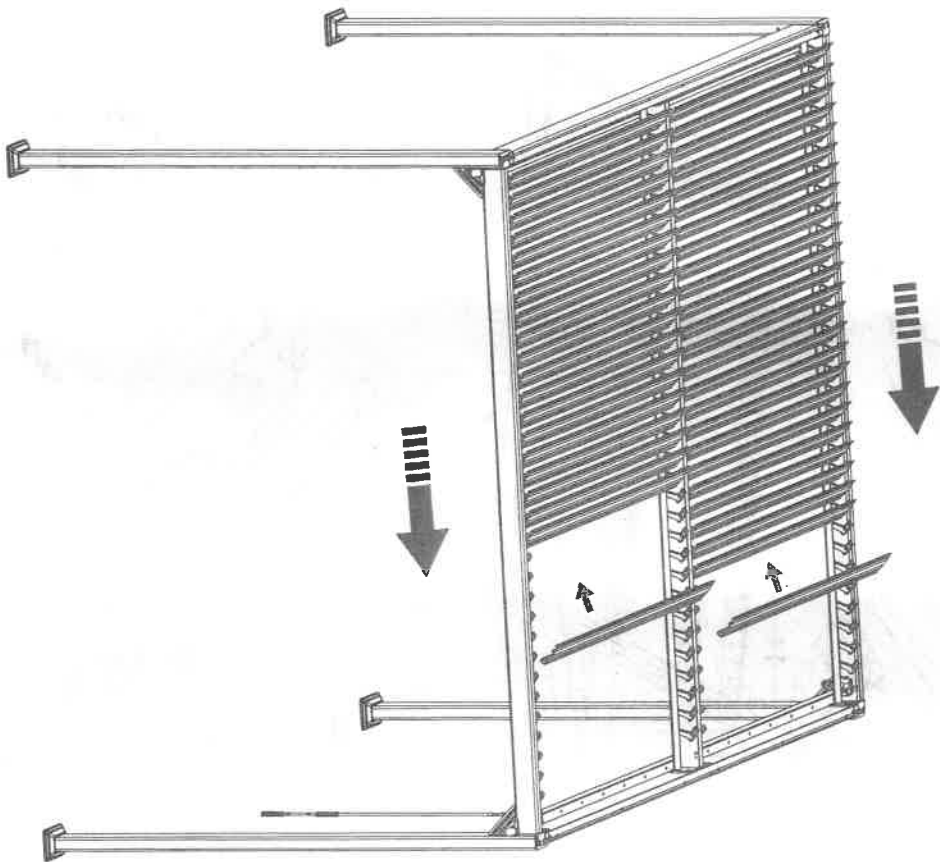
12

STEP 11



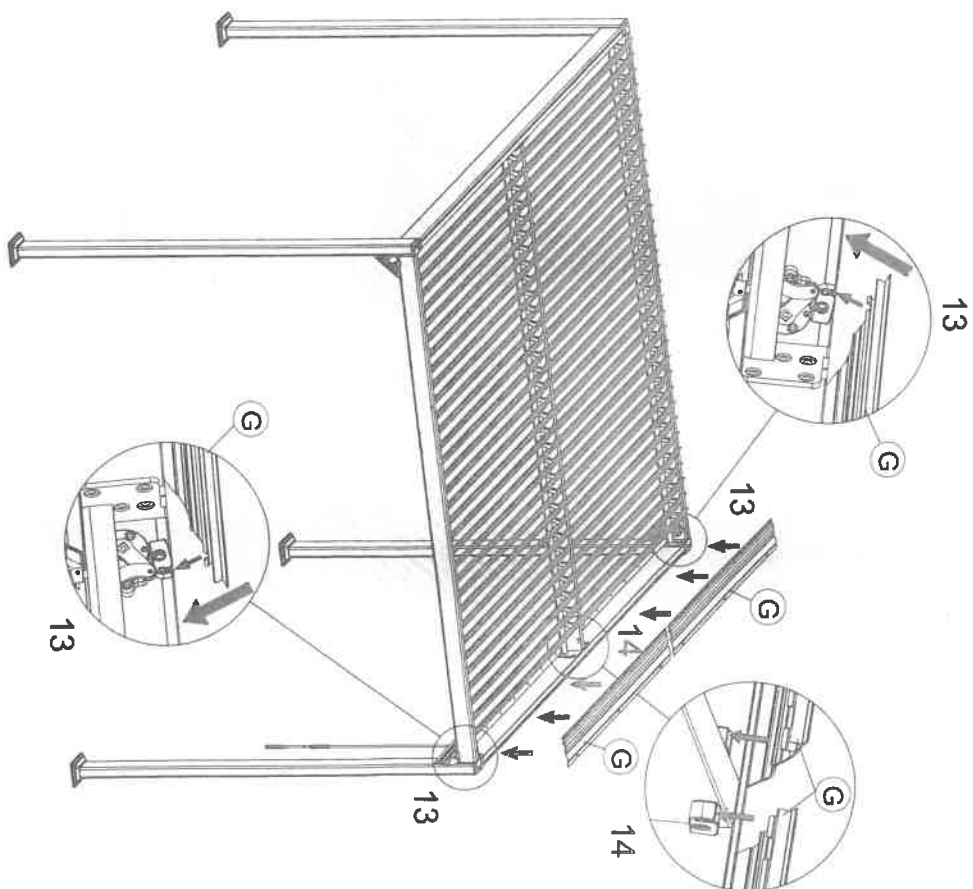
13

STEP 12



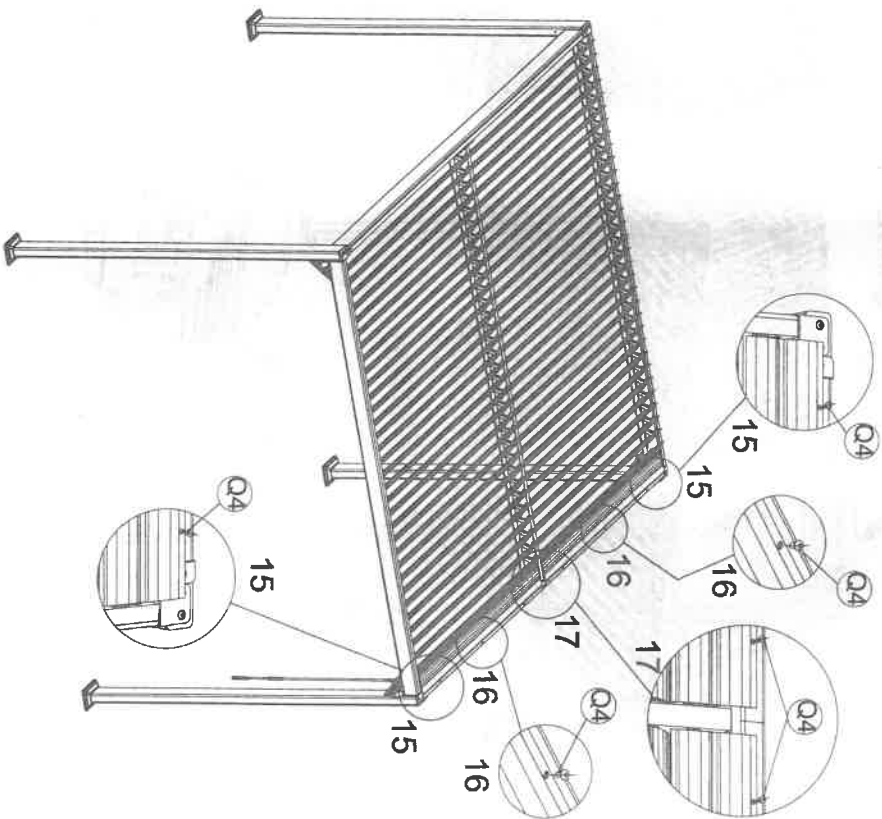
14

STEP 13



15

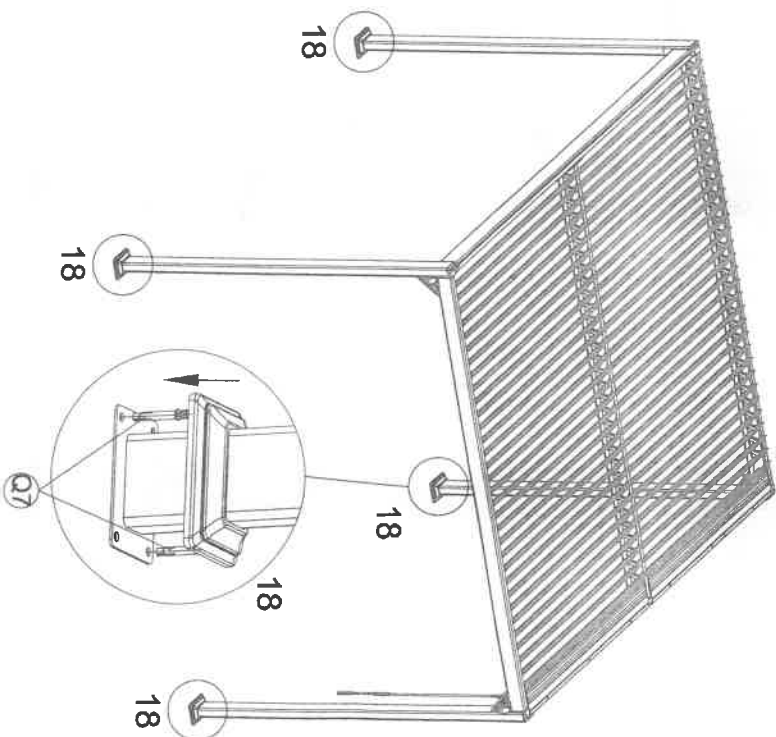
STEP 14



M6*15

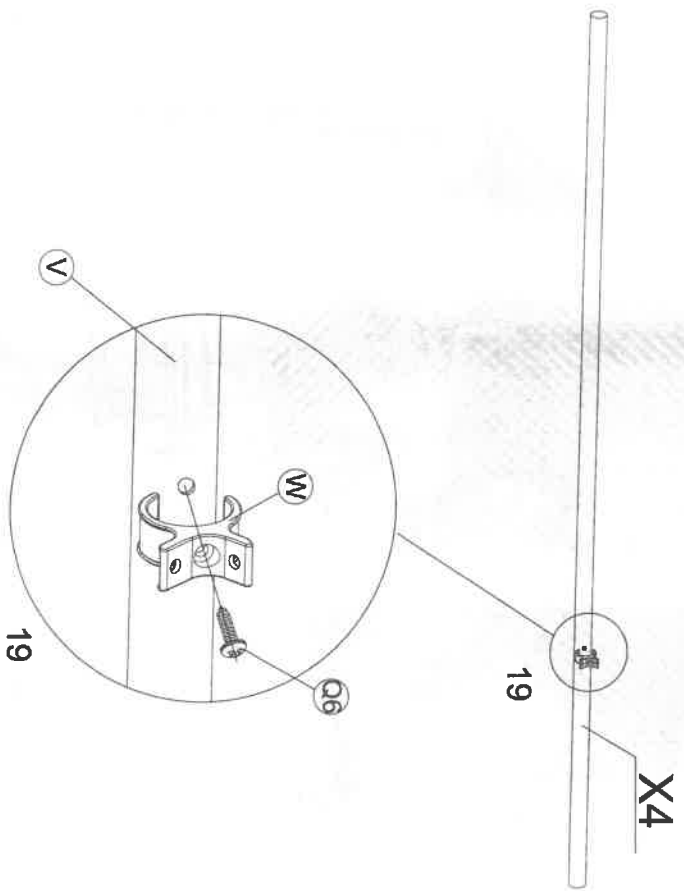
Q4 (X6)





STEP 15



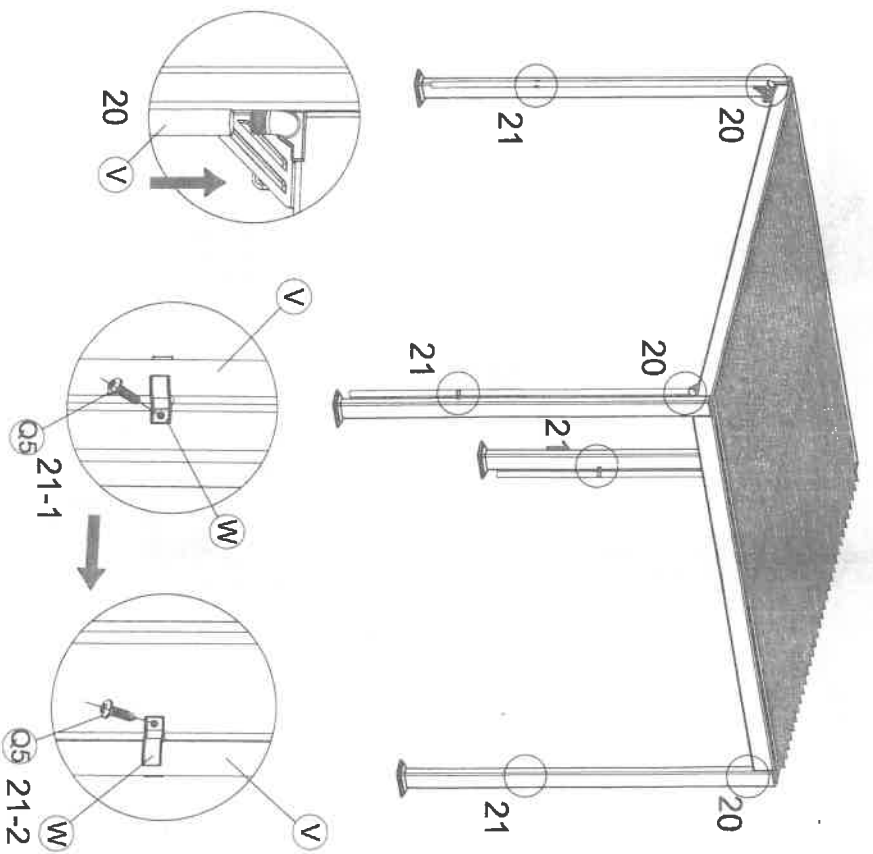
Q7 (X8)



STEP 16



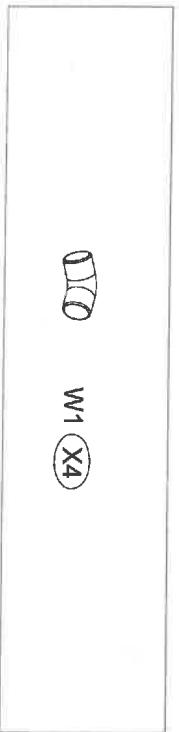
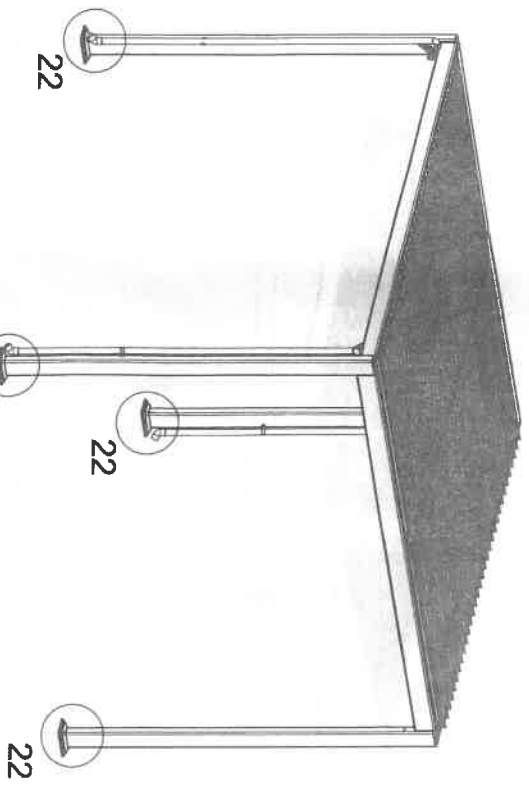





STEP 17

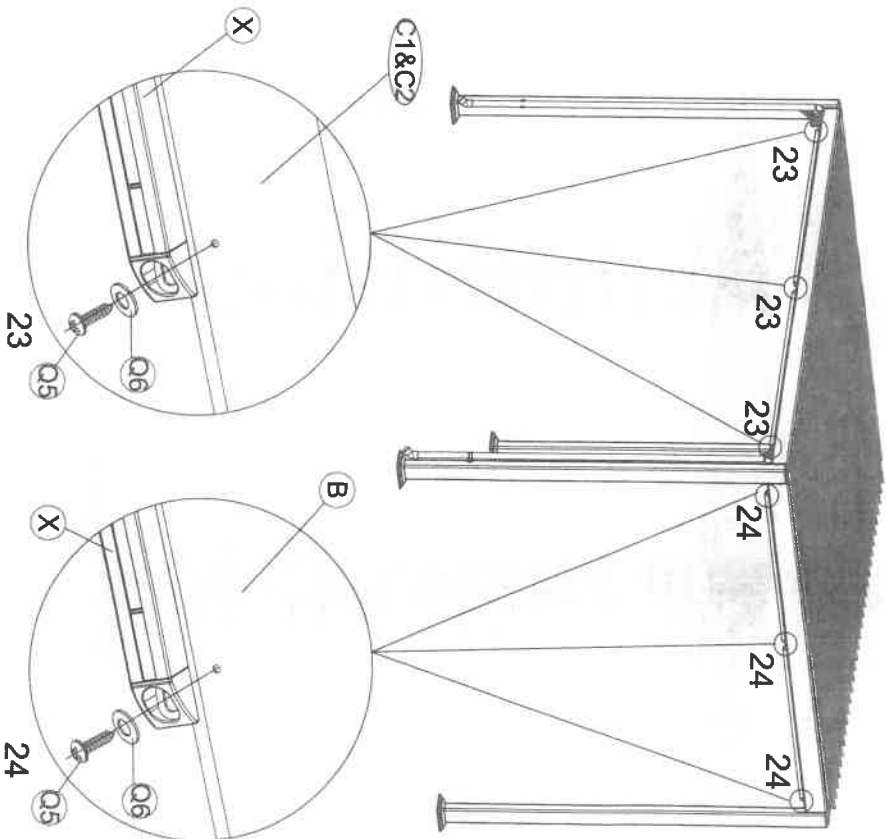


STEP 18



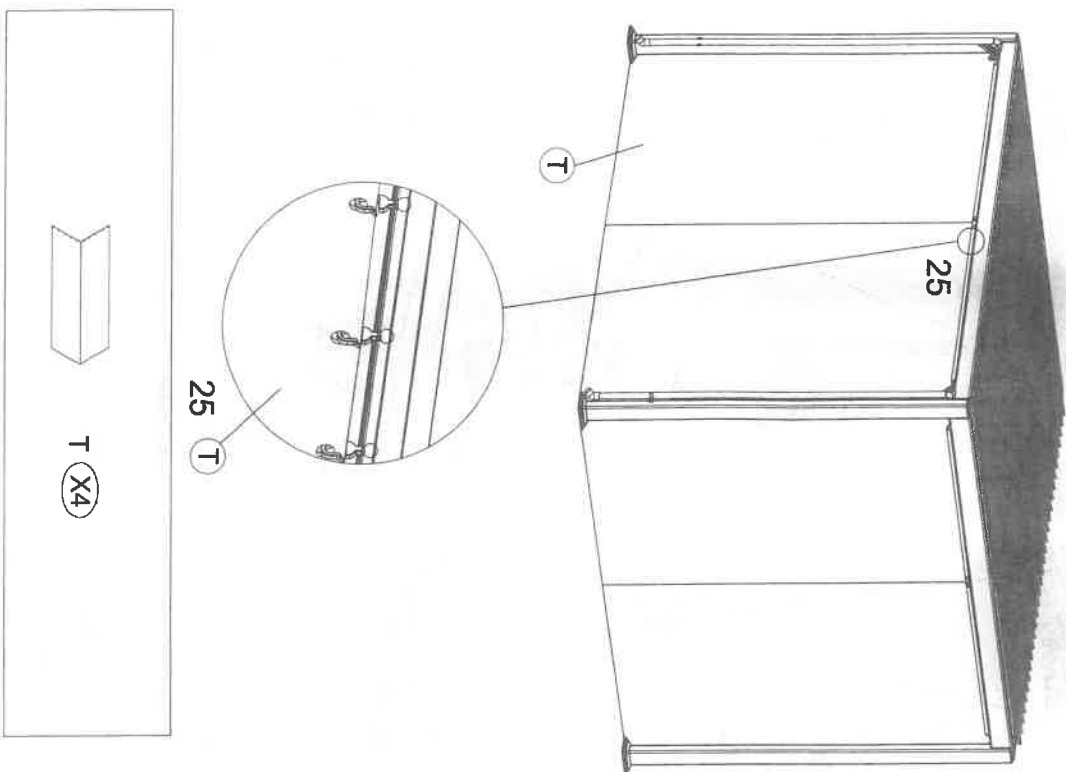
STEP 19



Palma Pavillon 3x3m

Operating Safety Instructions

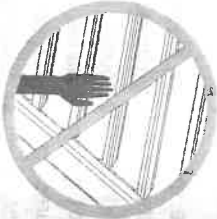
1. Please refer to instruction manual and ensure all parts are within the box before assembly.
2. Please keep the children and animals away from assembly site, and away from sources of ignition, when assembling.
3. Please comply with basic safety precaution requirement during assembling and using to reduce the risk of personal injury and damage to the product. (Recommended to use gloves, goggles, non-slip shoes, etc.)
4. Please allow sufficient time to assemble the product, cannot allow placing the semi-assembled product at the side. (Product requires at least 4 people to assembled and take two hours)
5. Please assemble the product on the flat ground, ensure all screws are tightened before using. It requires protection against scratching from the surface during assembly (such as cover the ground with cardboard or cloth)
6. Products can be used throughout the year. When snowing, close the aluminum slat roof on the top. Regularly clean the snow, in case it would break the roof. It should be cleaned up and ensure snow is thawing when using again.
7. Please do not lean the ladder on the product when assembling. Climbing and Standing at the top of the product is prohibited.



Care instructions



1. Under the condition of freezing, please do not use a handle, so as to avoid damage of gazebo.



2. Please do not put your hand or fingers between the slats or the opening mechanism to avoid injury..



3. Please don't place anything above the roof, in order to avoid damage the product.



4. In order to protect you and the safety of the product, please don't climb onto the product
5. Regular cleaning of the drains in the stolen goods, leaves, to keep the drainage tank clean.
6. Please check the screws and making sure they are tight after using the product for some time. It is recommended once every quarter).
7. Timely clean the dirty on the frame, Please soak the duster cloth or foam in neutral detergent, then wash them with water.