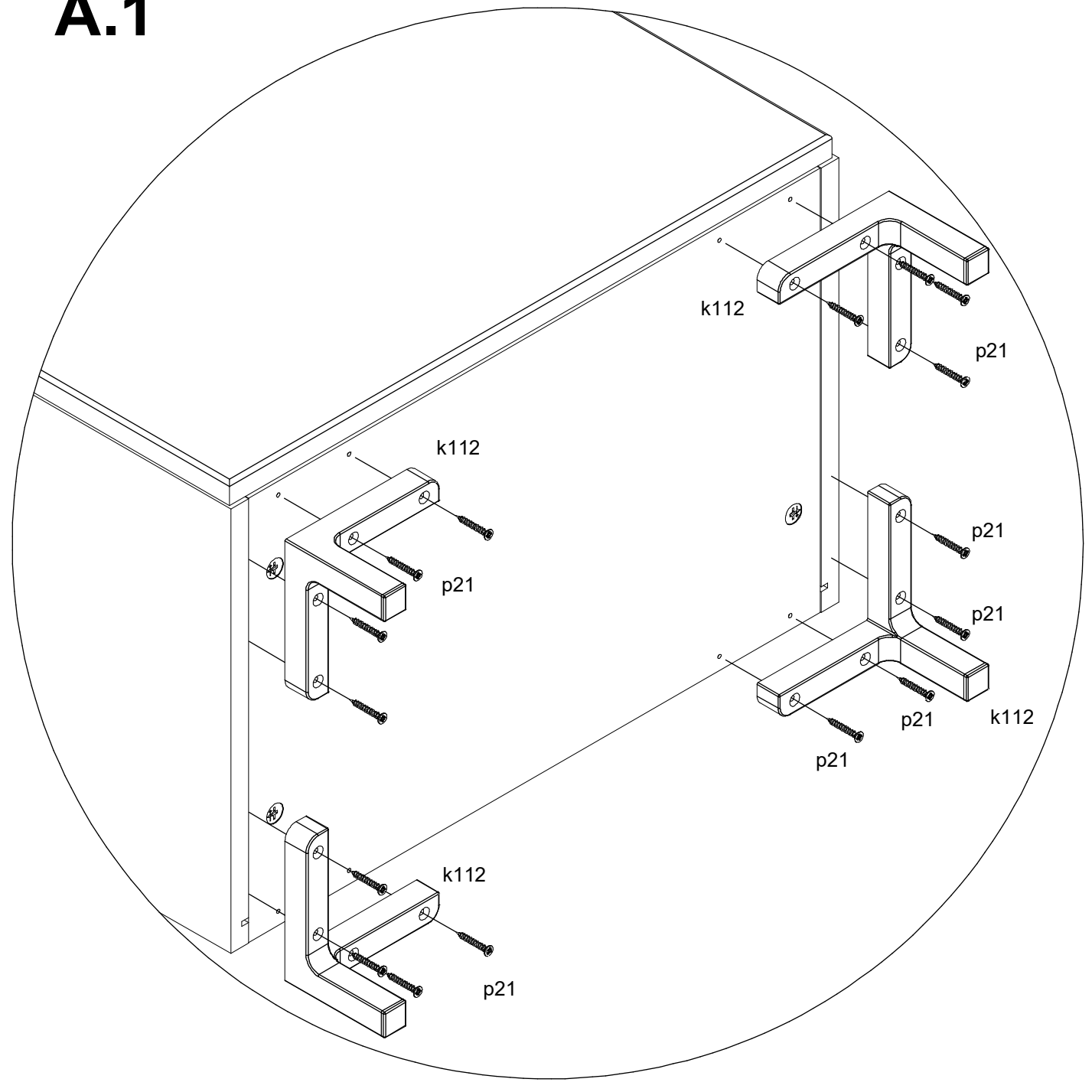
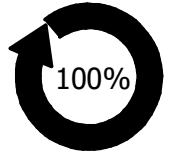
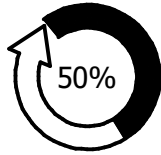
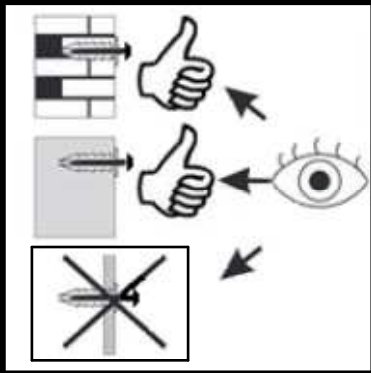
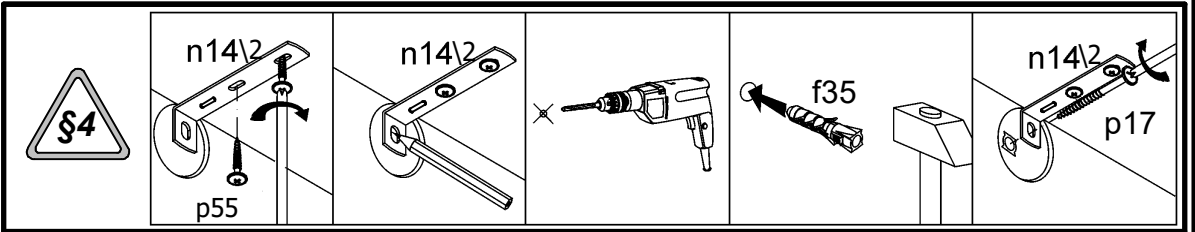


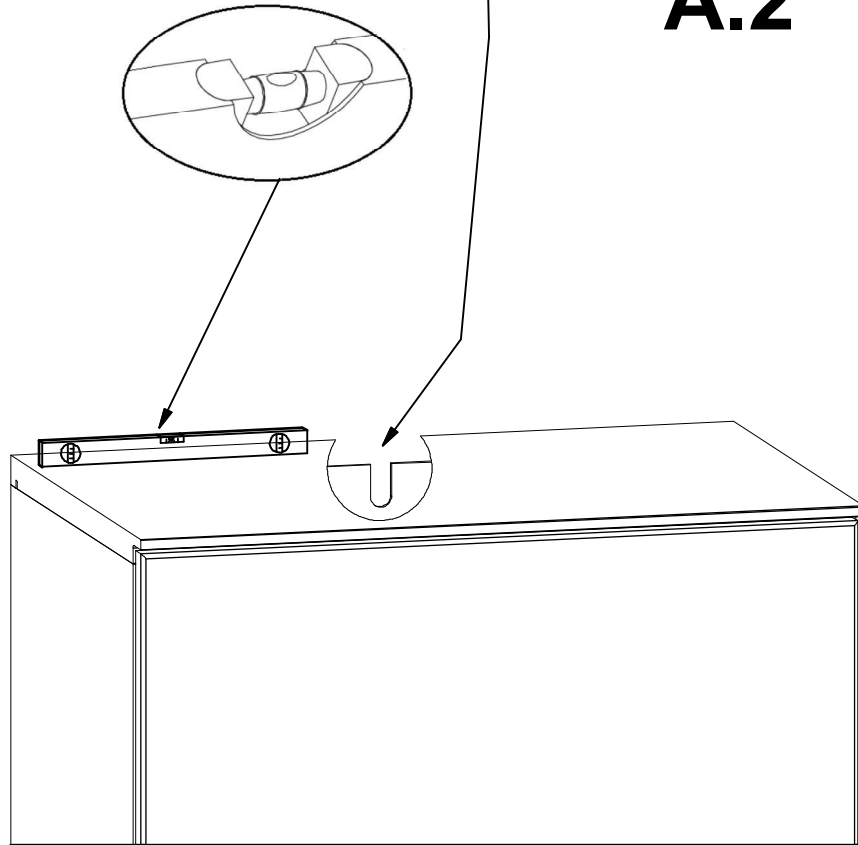
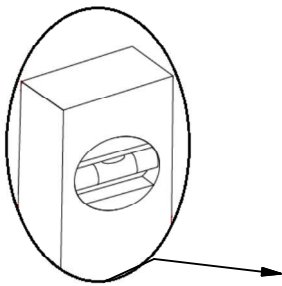
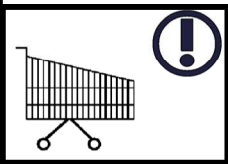
- 30 H8 00 01
- 30 H8 99 02
- 30 H8 99 15
- 30 H8 99 16
- 30 H8 99 20
- 30 H8 99 21


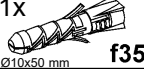
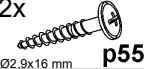
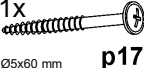
A.1





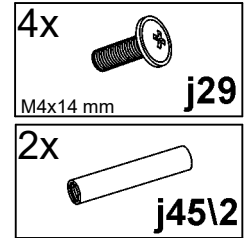
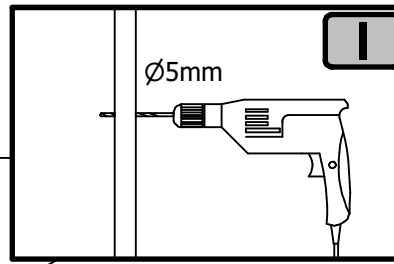
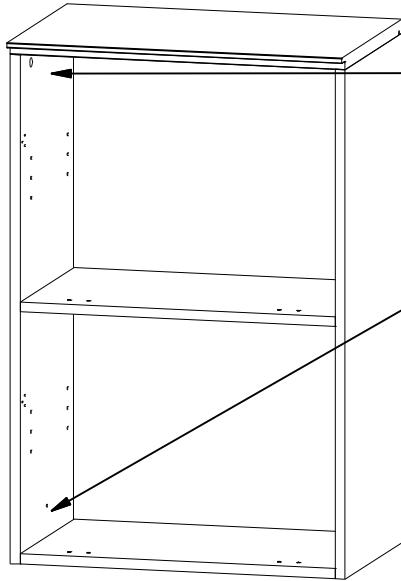
A.2



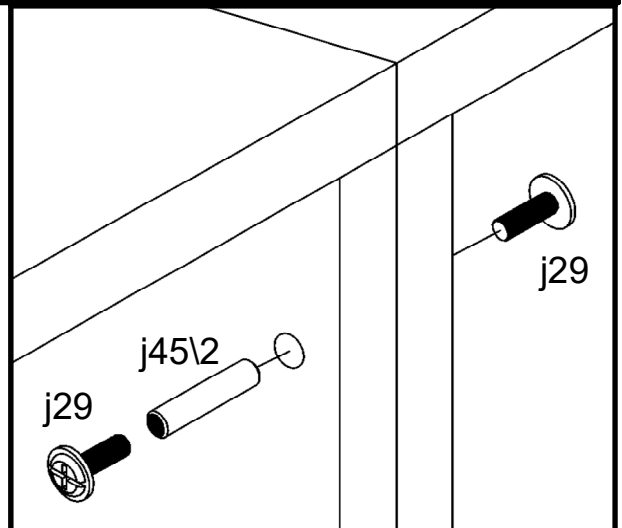
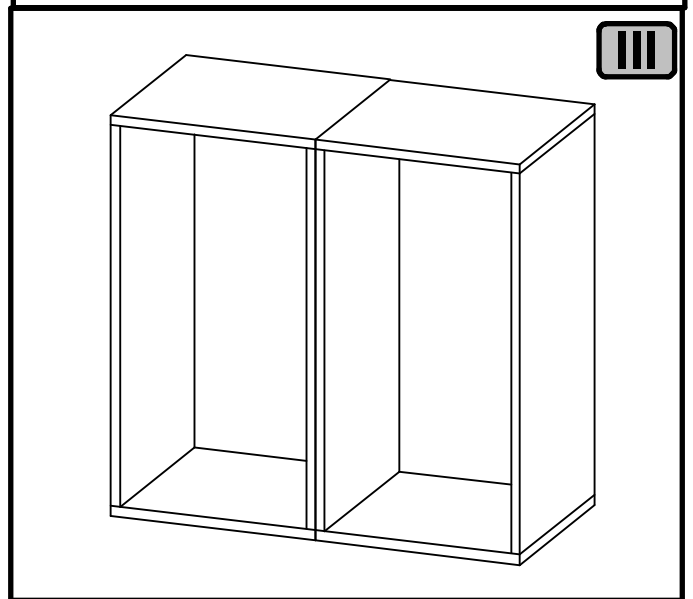
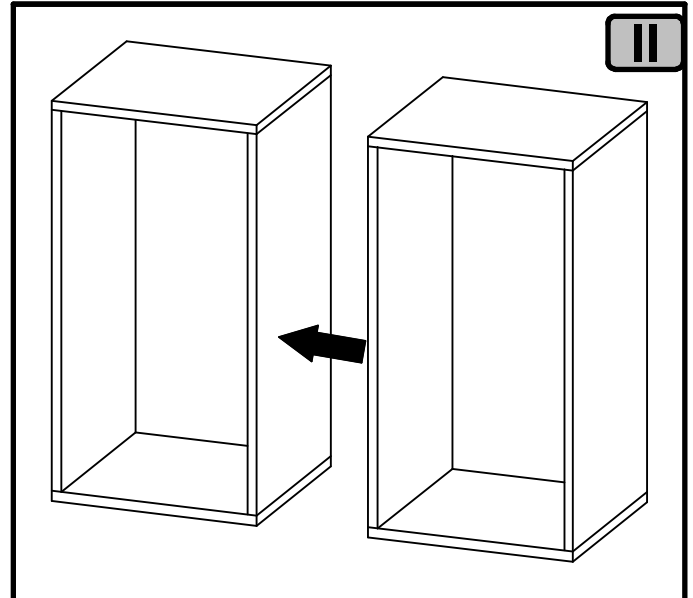
- 1x  n142
88x21x19/1,5
- 1x  f35
Ø10x50 mm
- 2x  p55
Ø2.9x16 mm
- 1x  p17
Ø5x60 mm

A**NOGA PLASTIK****99 03 01 95**

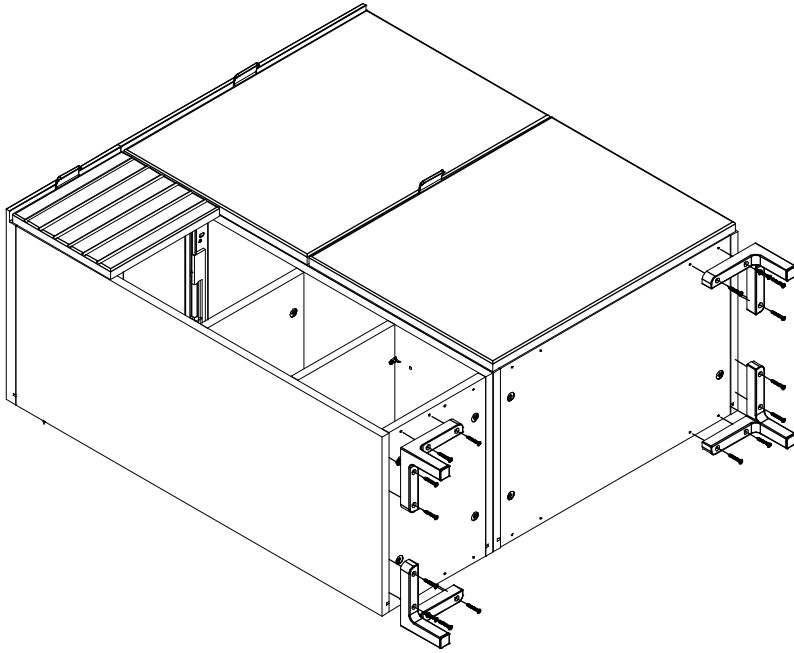
4 / 7

**B.1**

- 30 H8 99 90
- 30 H8 99 91
- 30 H8 99 80
- 30 H8 99 81
- 30 H8 99 82
- 30 H8 99 83
- 30 H8 99 84
- 30 H8 99 85



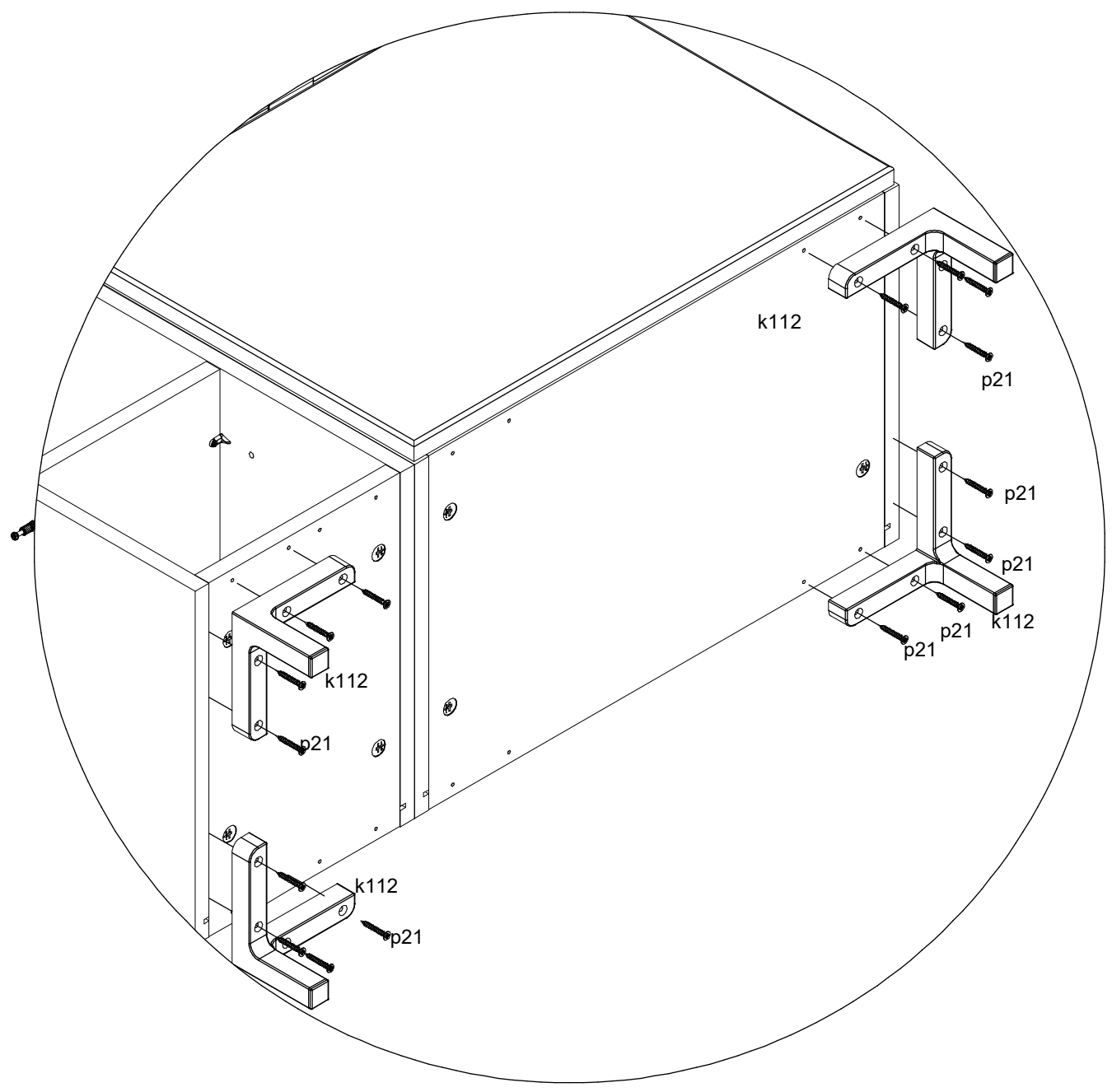
B.2



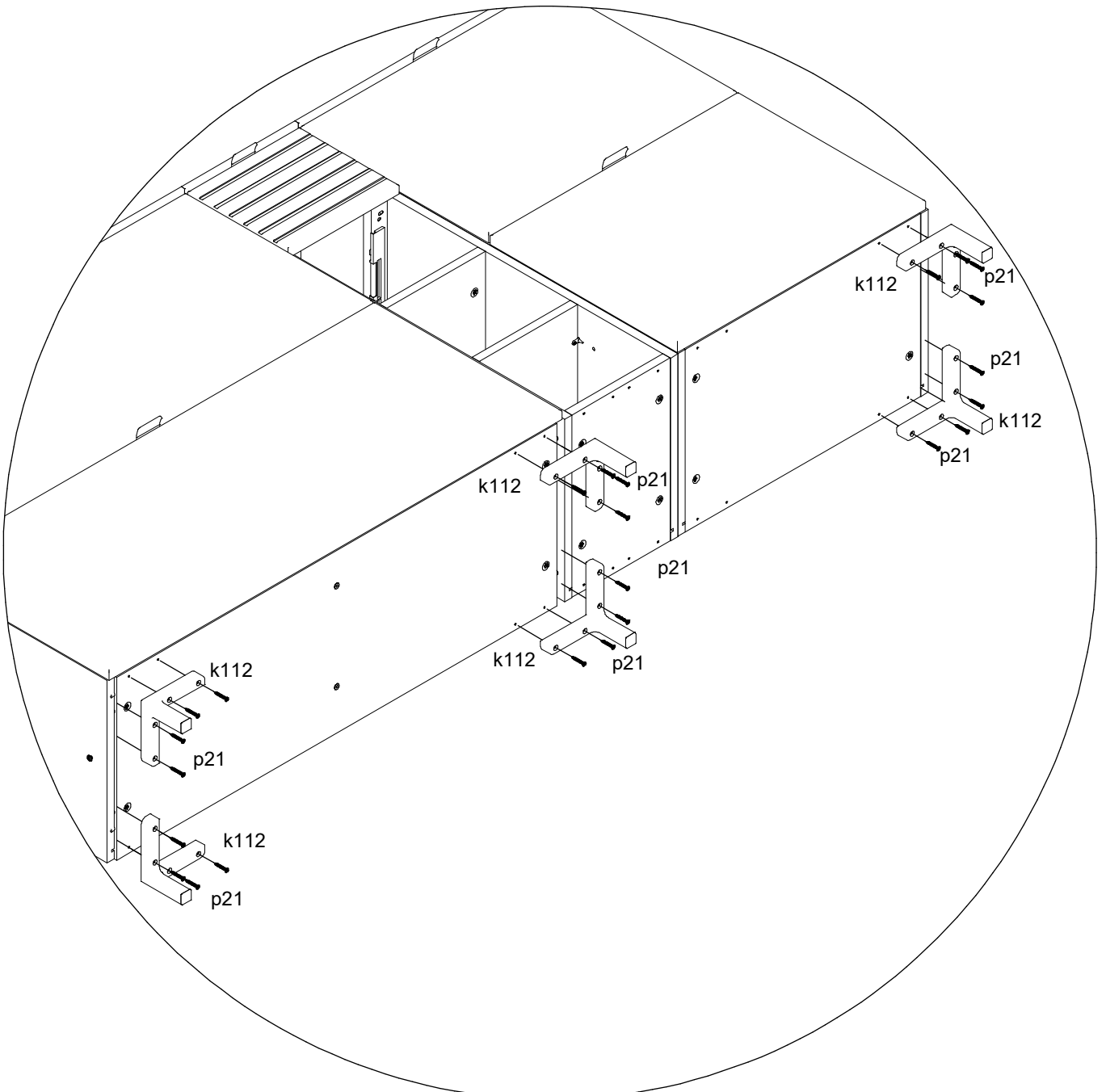
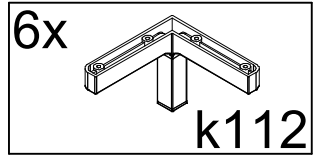
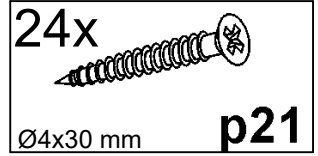
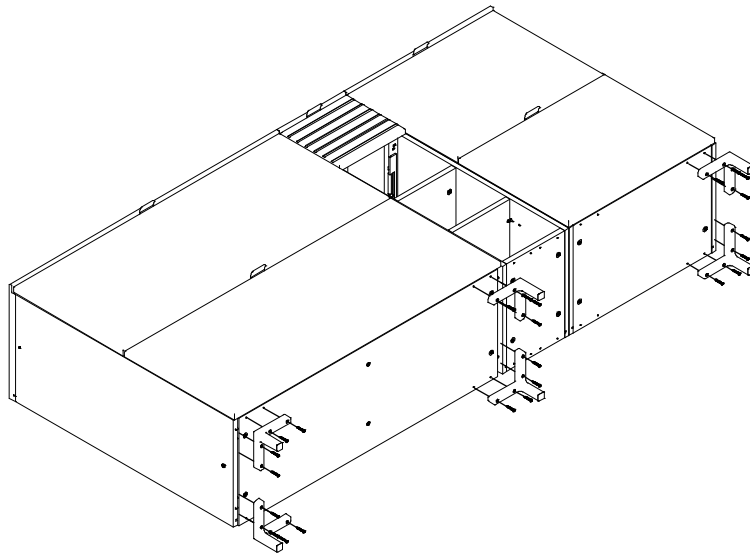
16x
Ø4x30 mm
p21

4x
k112

This inset provides a detailed view of the hardware. It shows a screw with a length of 16x and a diameter of Ø4x30 mm, labeled 'p21'. Below it, it shows four L-shaped corner brackets, labeled 'k112', which are used to connect the side panel to the cabinet's frame.

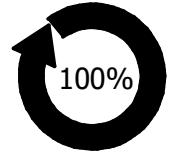
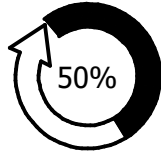
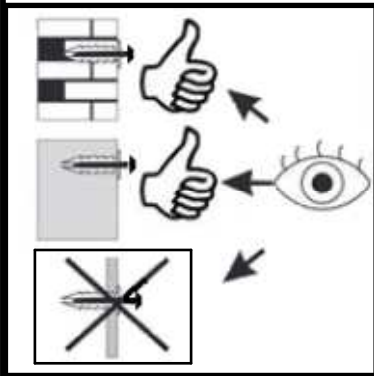
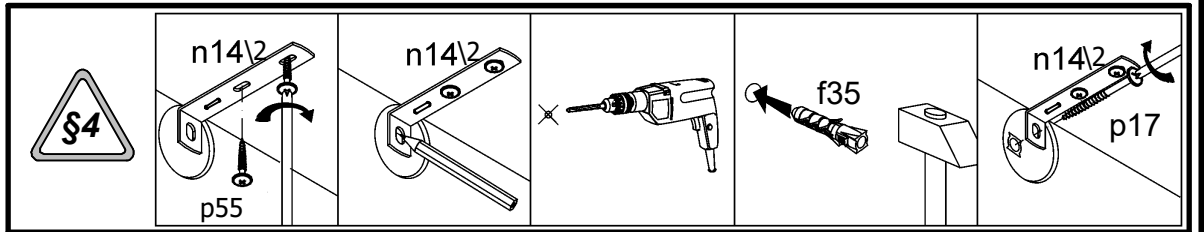
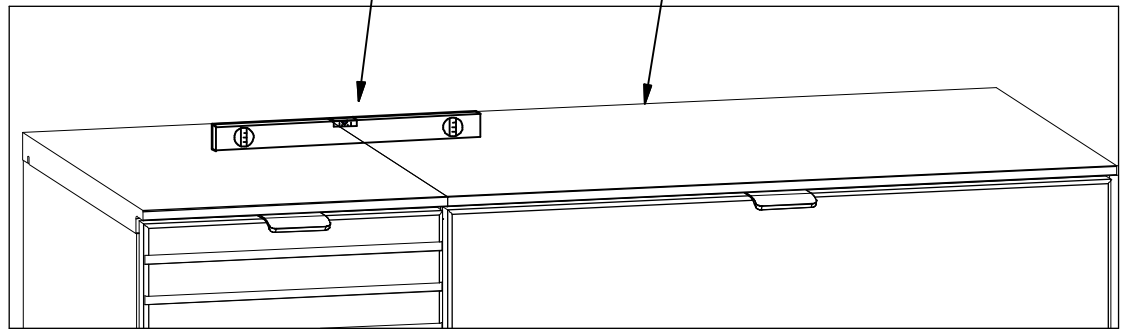
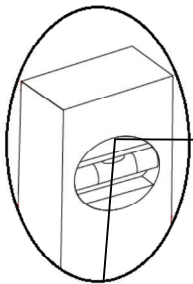
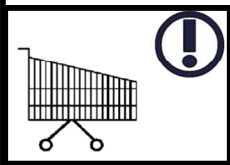
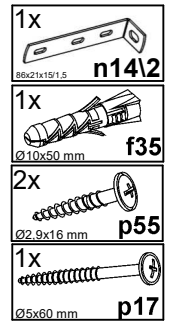


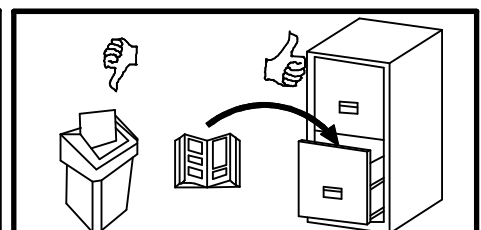
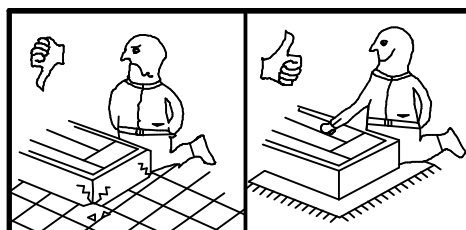
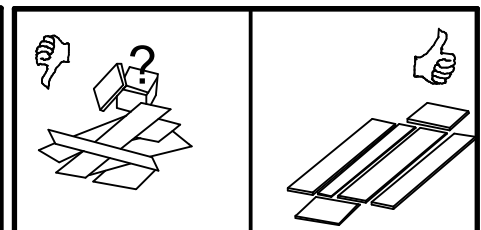
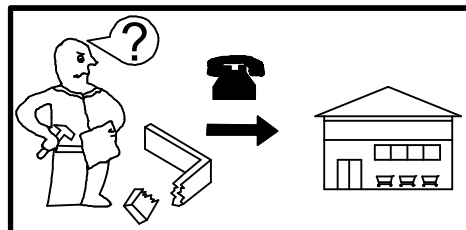
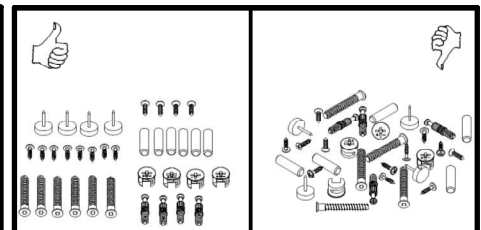
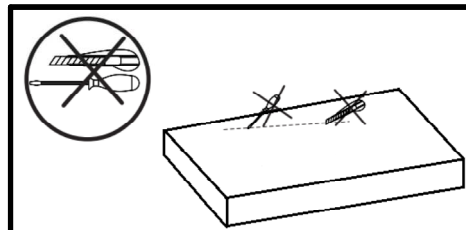
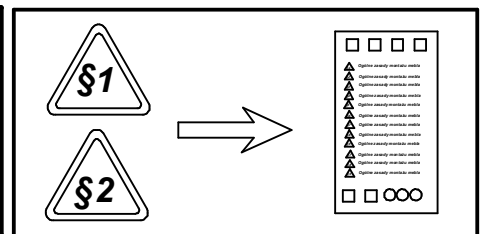
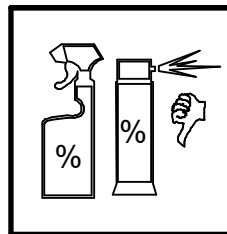
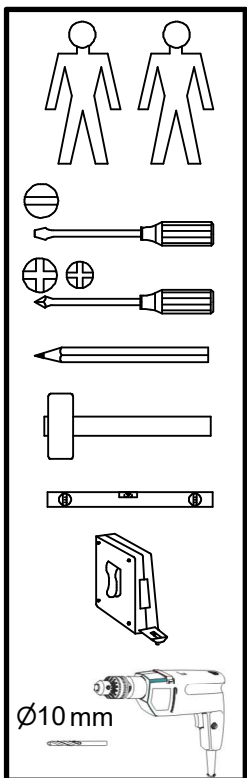
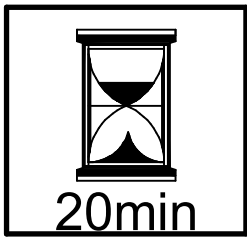
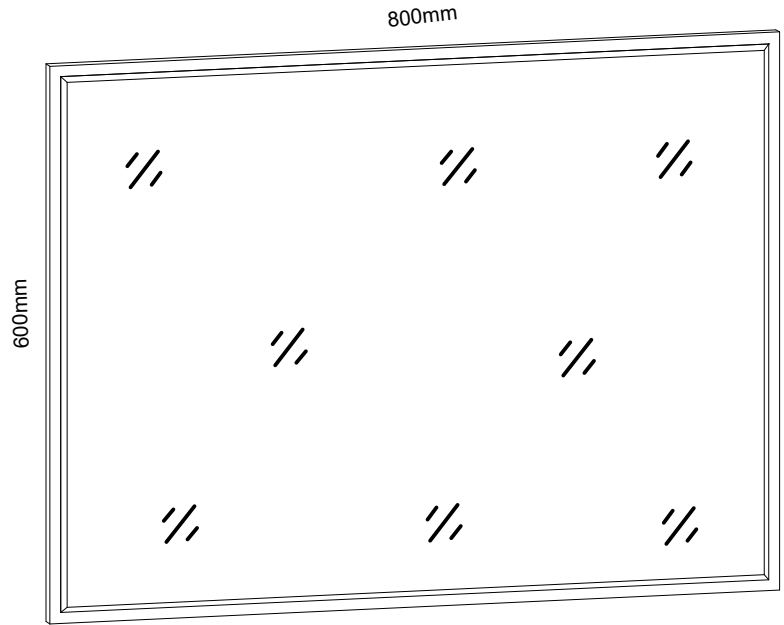
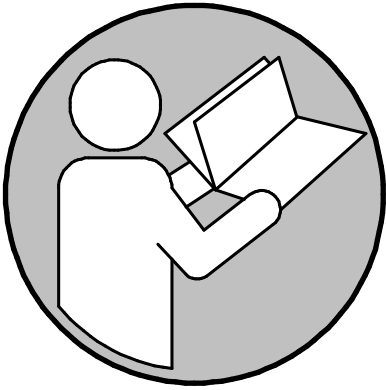
B.2

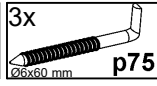
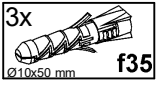


A**NOGA PLASTIK****99 03 01 95**

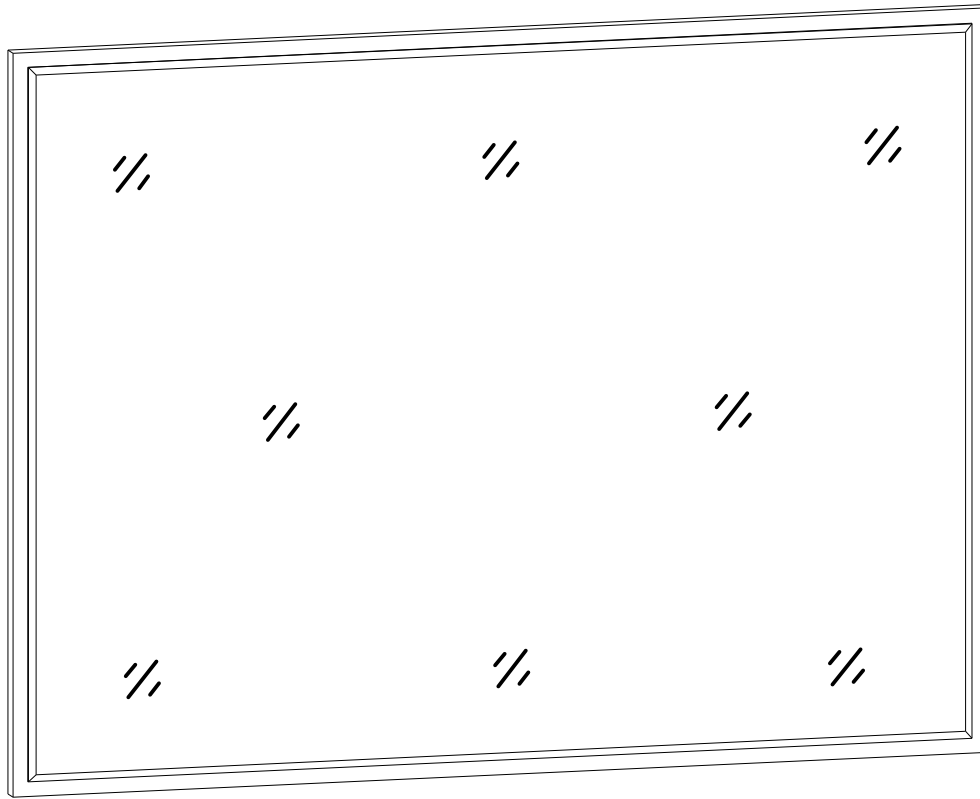
7 / 7

**B.3**

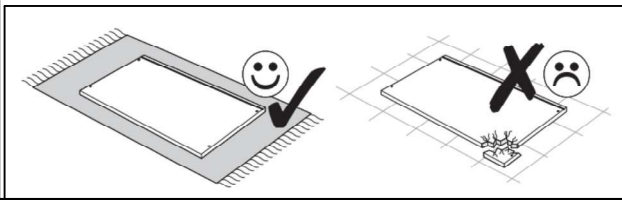
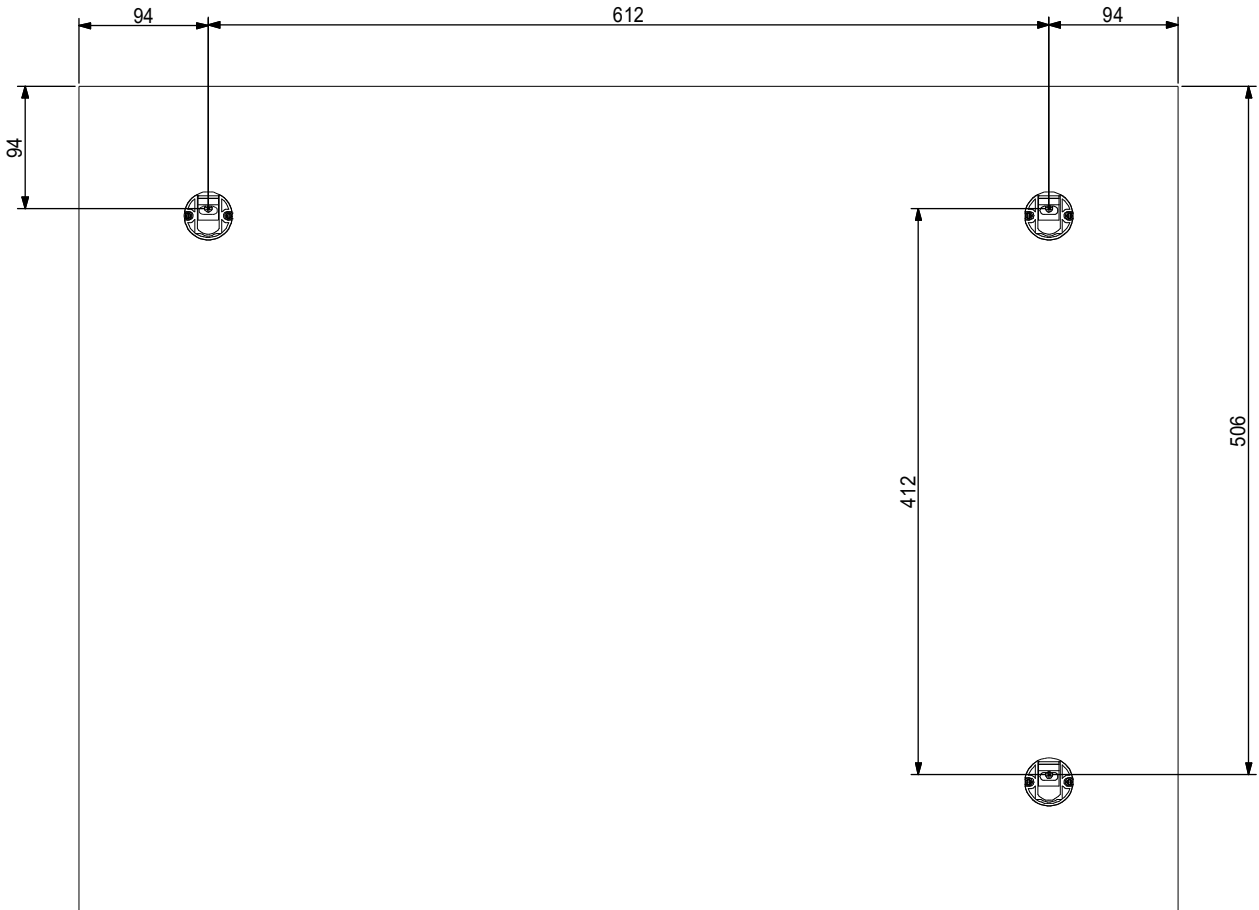


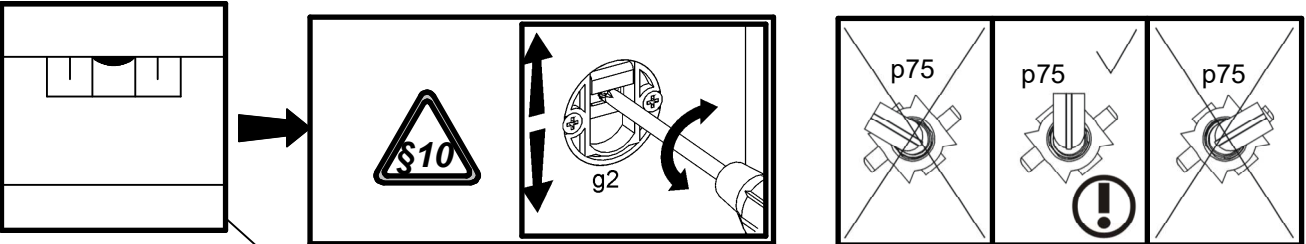
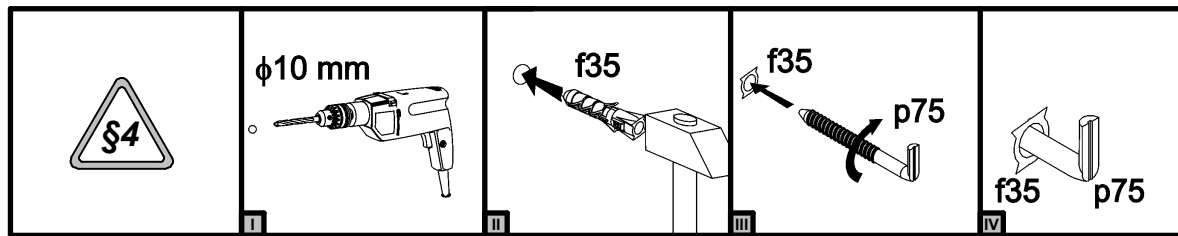


A	B1	B2	C1	C2	C3	C4	D
1	M278-4301	-	800	600	19	1	1/1

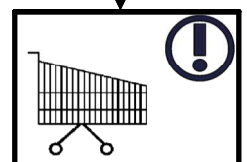
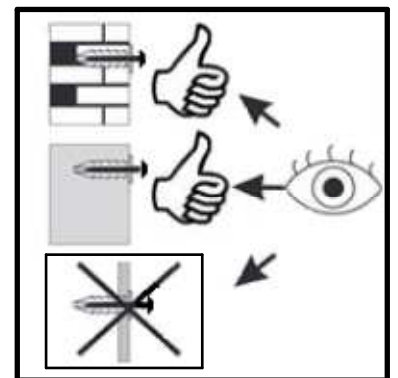
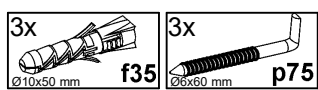
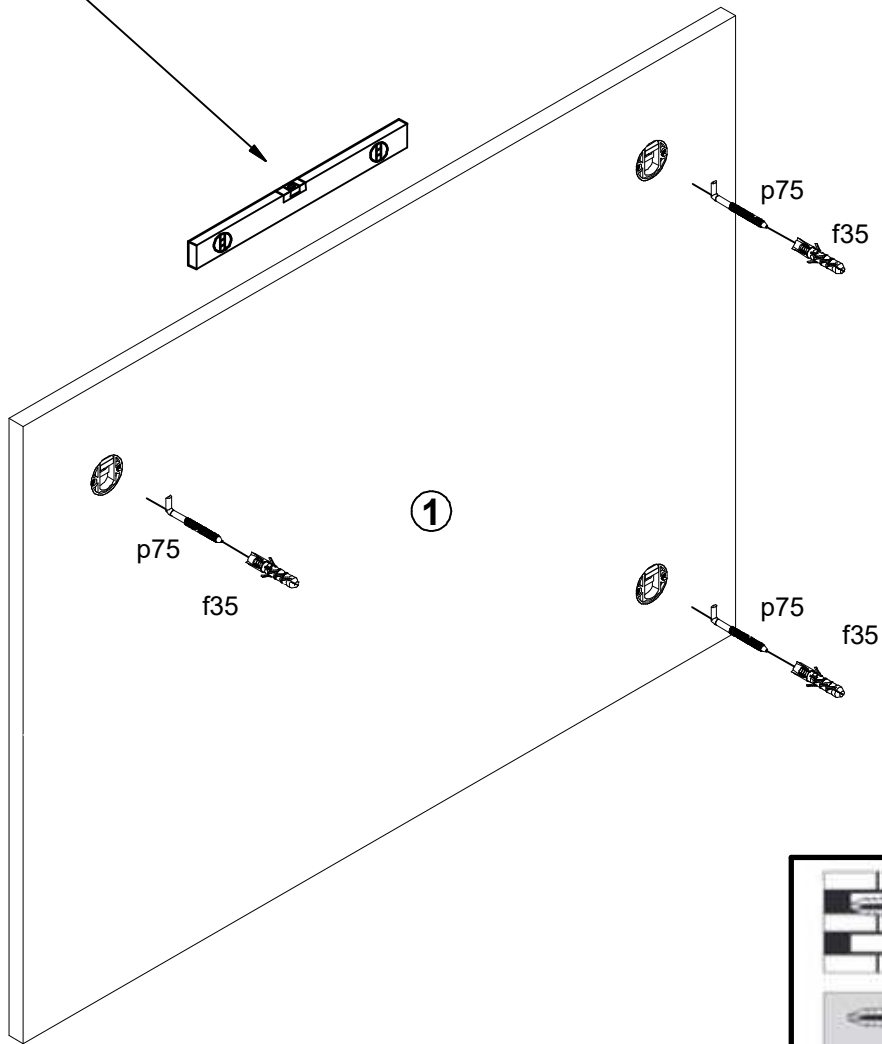


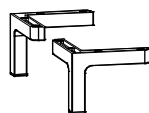
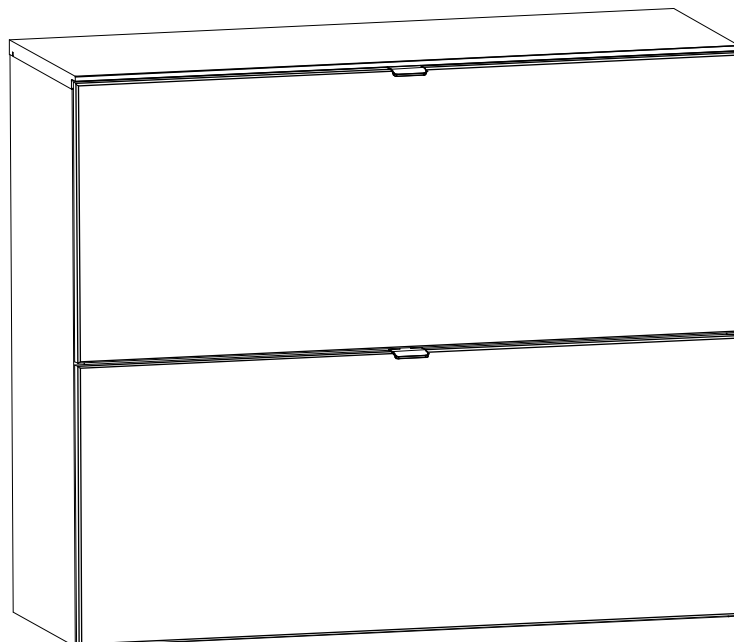
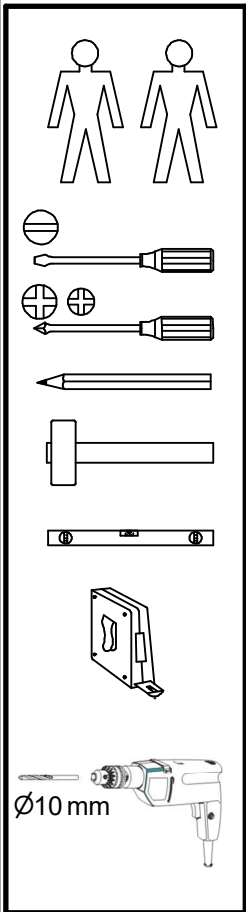
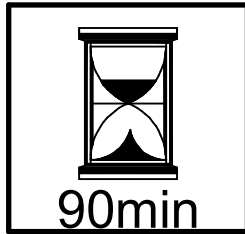
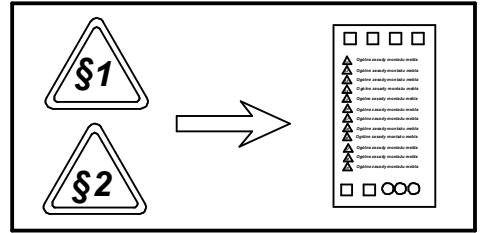
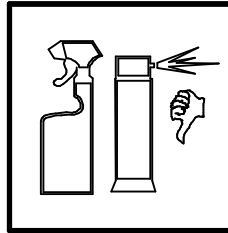
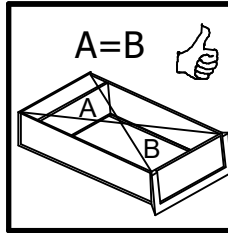
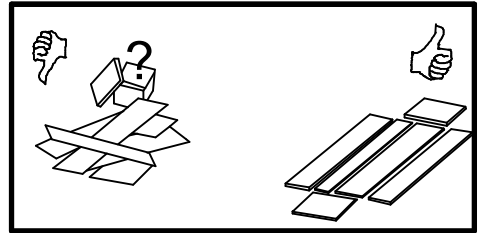
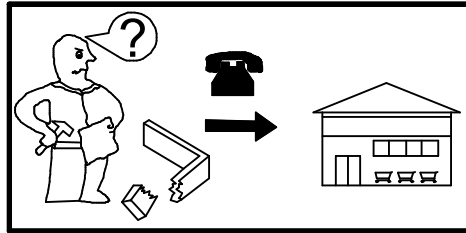
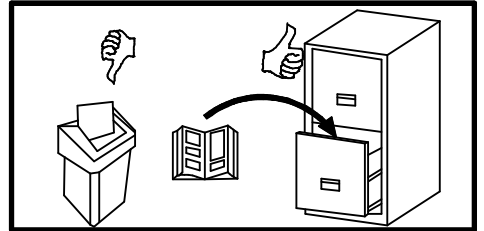
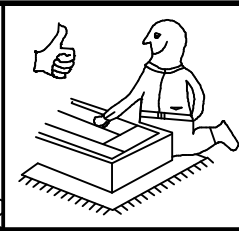
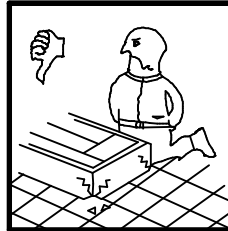
1 ▶



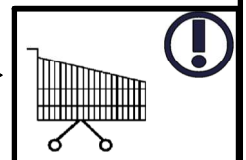
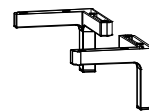


2 ▶



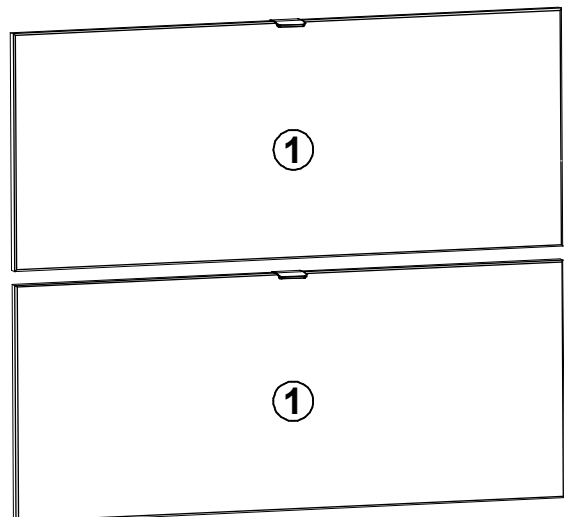
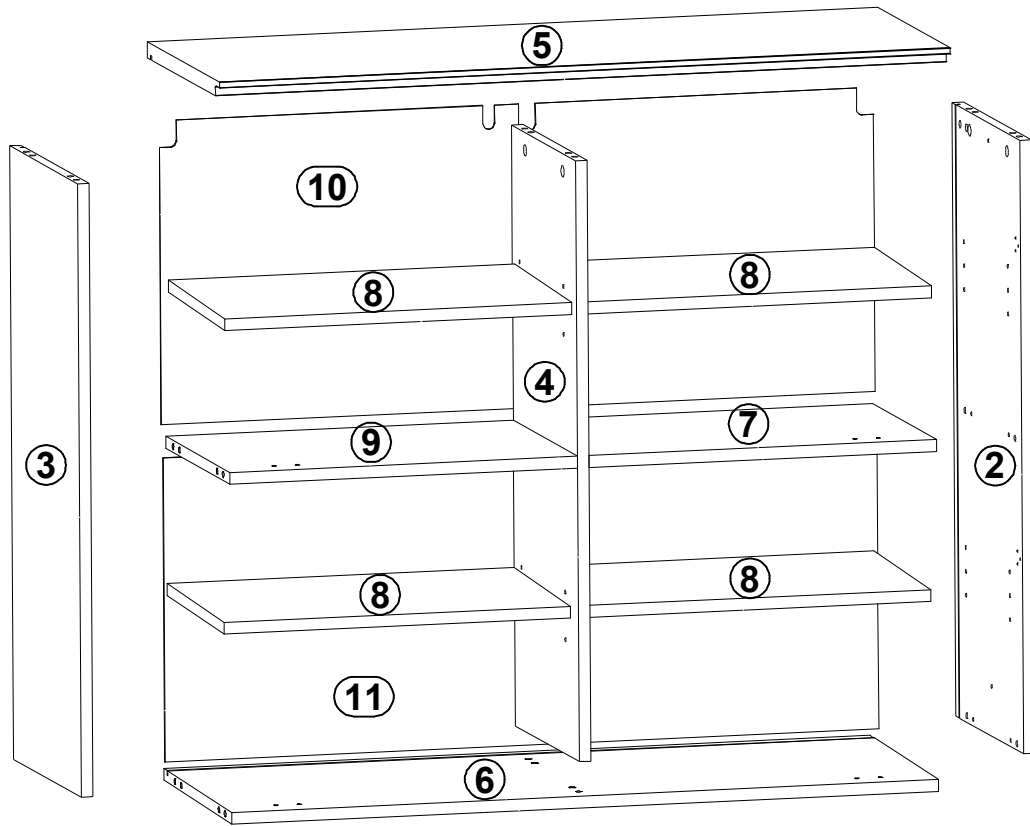
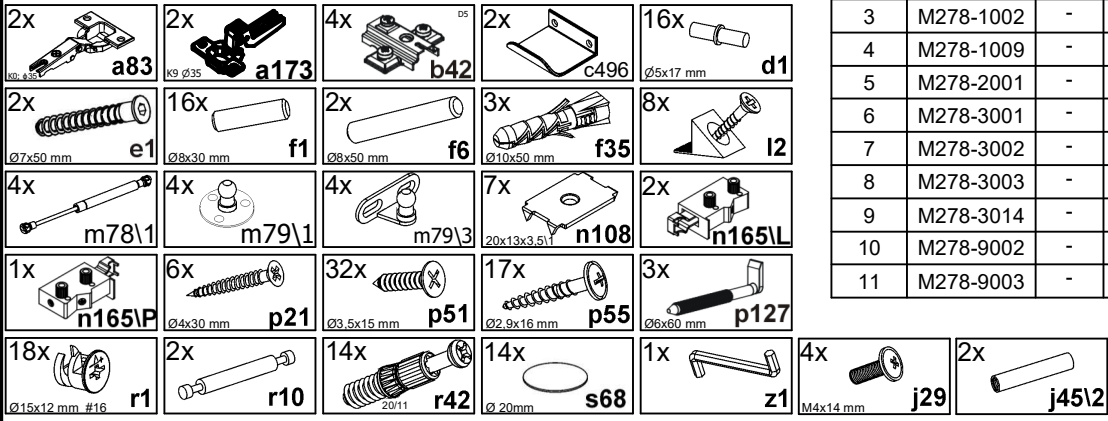


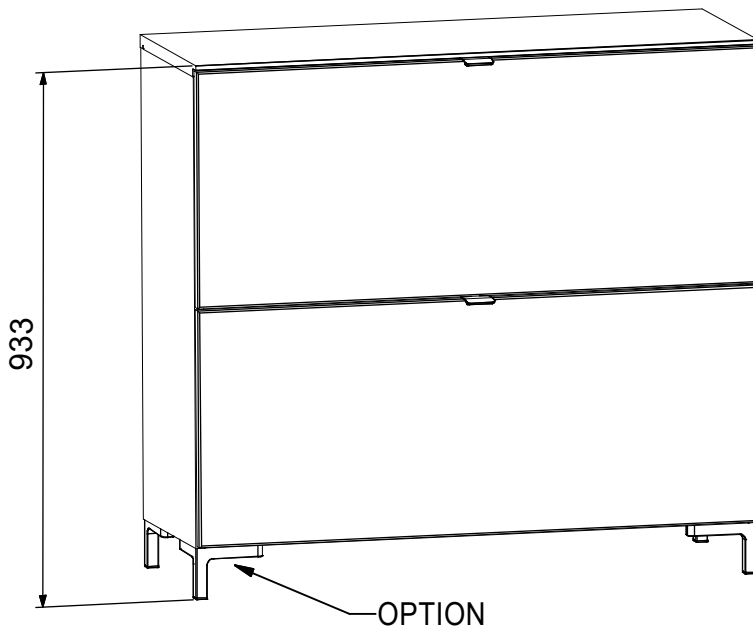
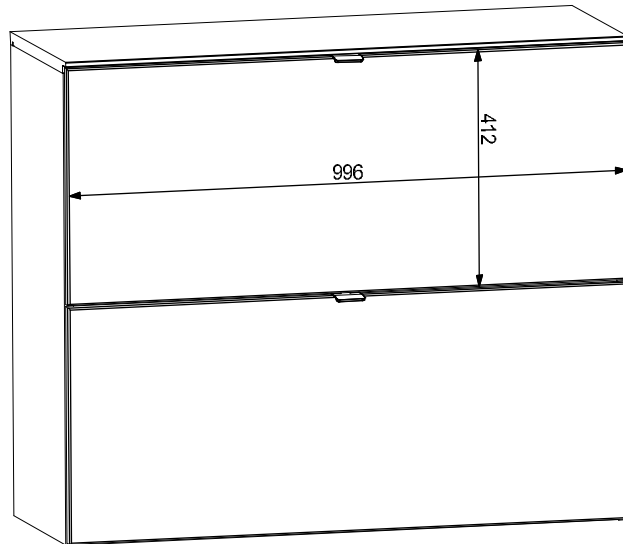
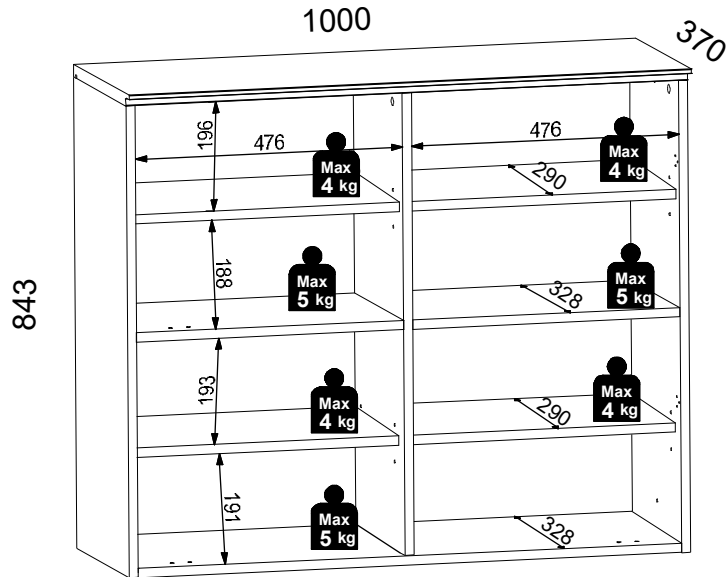
OPTION
99 03 01 95





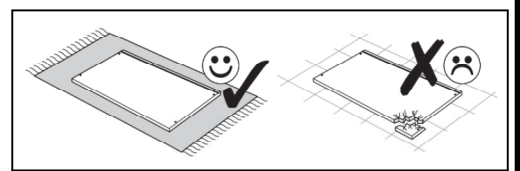
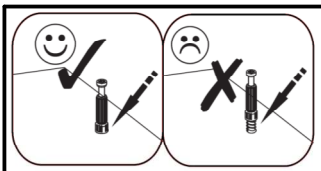
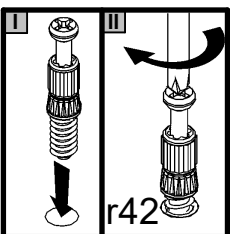
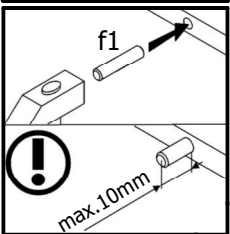
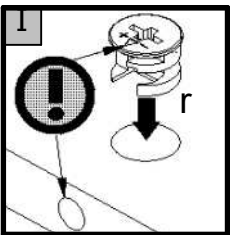
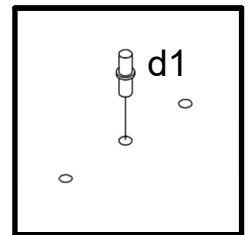
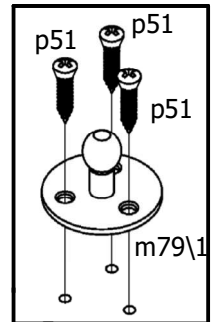
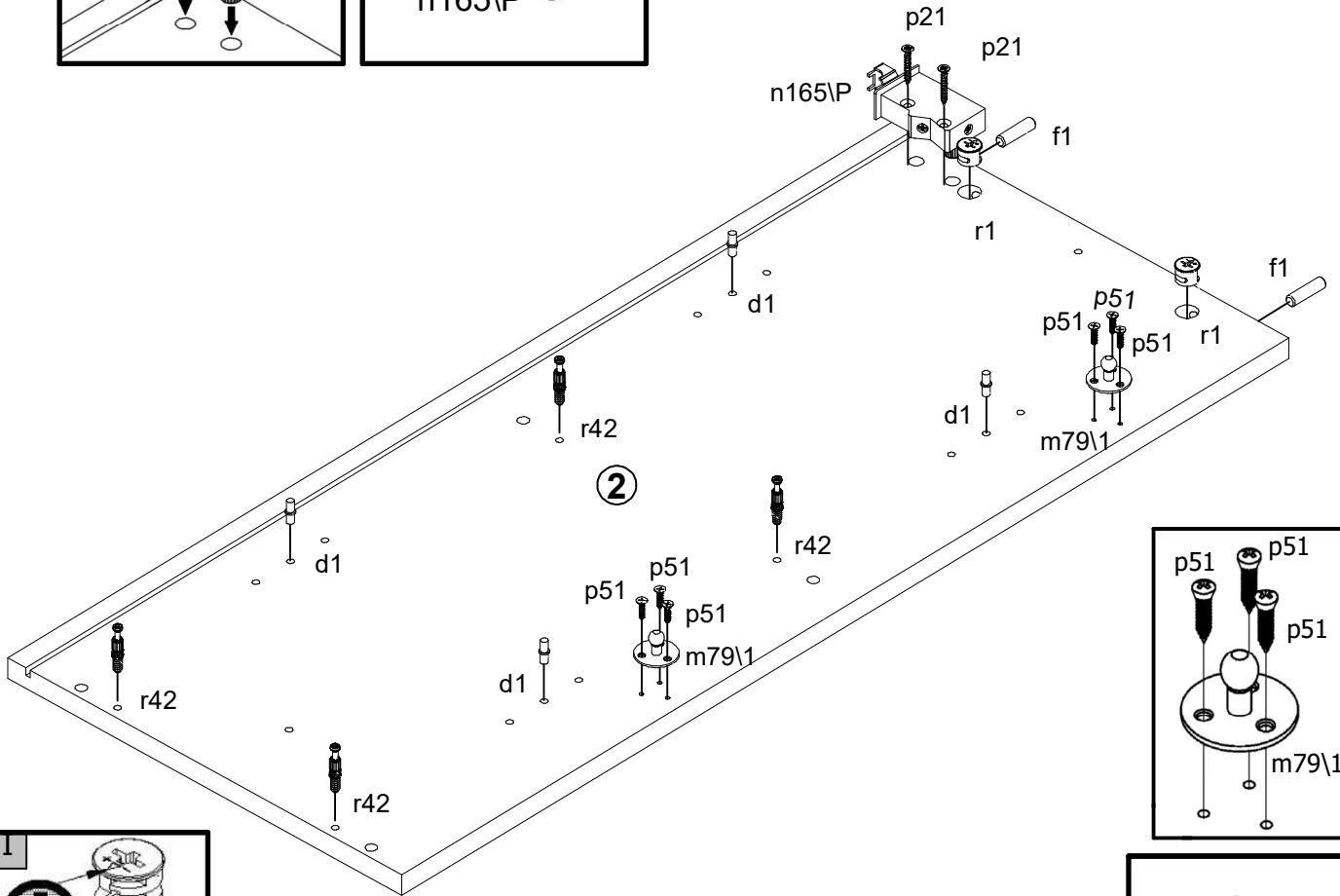
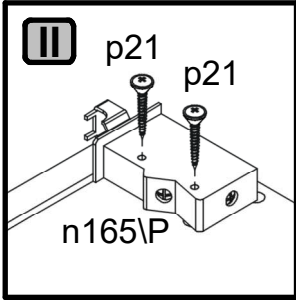
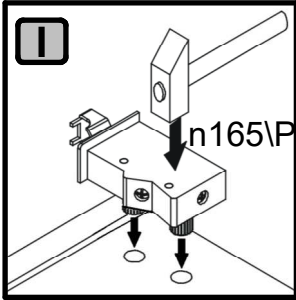
A	B1	B2	C1	C2	C3	C4	D
1	M278-0001	-	996	412	18	2	2/2
2	M278-1001	-	821	348	16	1	1/2
3	M278-1002	-	821	348	16	1	1/2
4	M278-1009	-	804,5	328	16	1	2/2
5	M278-2001	-	1001	370	22	1	1/2
6	M278-3001	-	968	348	16	1	1/2
7	M278-3002	-	476	328	16	1	1/2
8	M278-3003	-	475	290	16	4	1/2
9	M278-3014	-	476	328	16	1	1/2
10	M278-9002	-	978	407	2,5	1	2/2
11	M278-9003	-	978	407	2,5	1	2/2





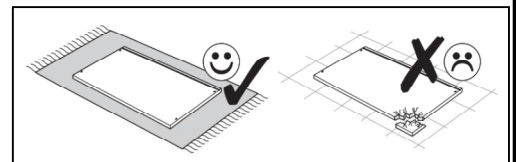
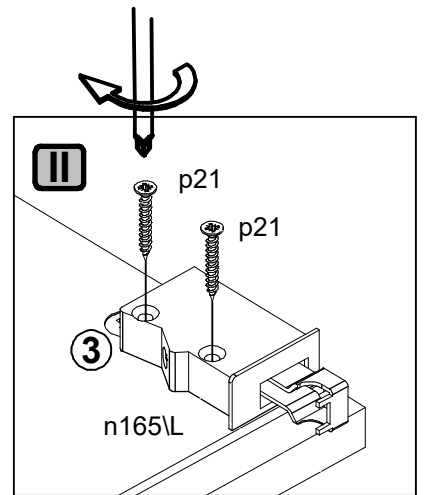
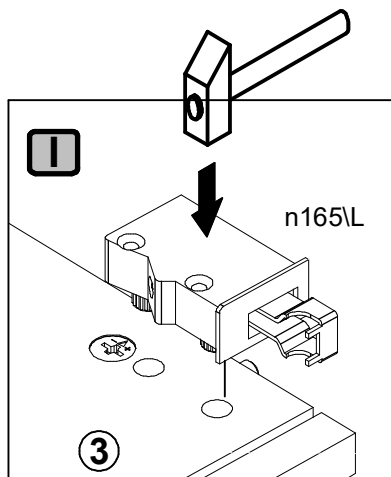
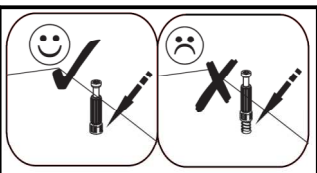
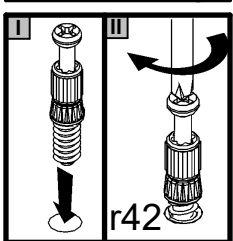
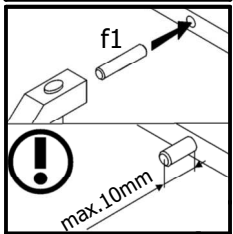
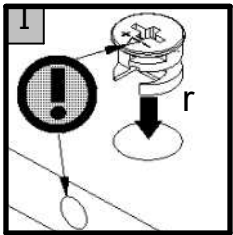
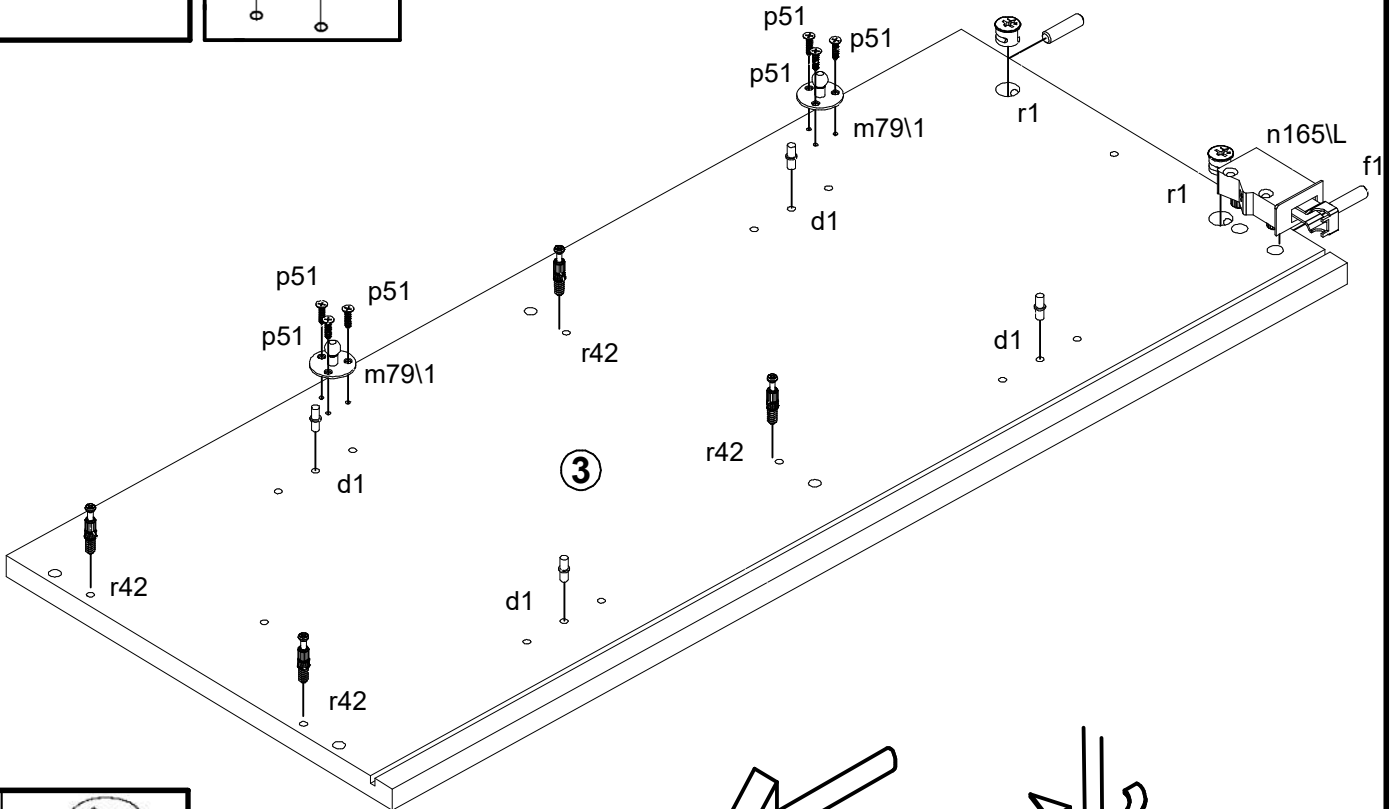
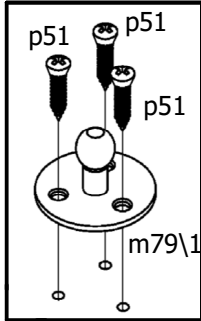
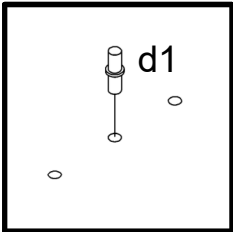
1 ▶

- 2x $\varnothing 8 \times 30$ mm f1
- 2x $\varnothing 15 \times 12$ mm #16 r1
- 4x 20/11 r42
- 2x m79\1
- 6x $\varnothing 3.5 \times 15$ mm p51
- 4x $\varnothing 5 \times 17$ mm d1
- 1x n165\P
- 2x $\varnothing 4 \times 30$ mm p21



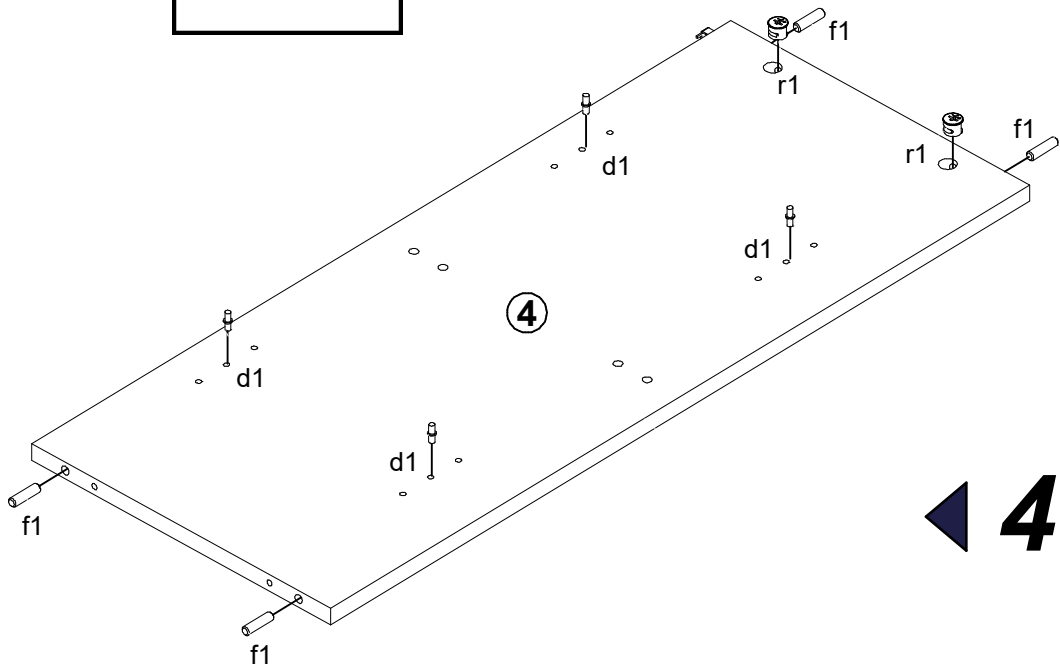
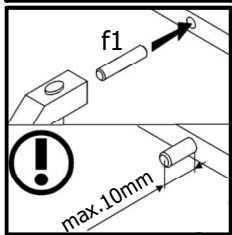
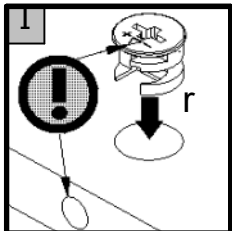
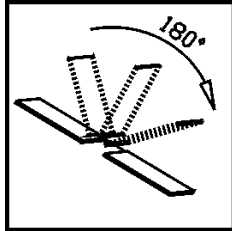
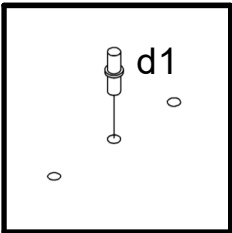
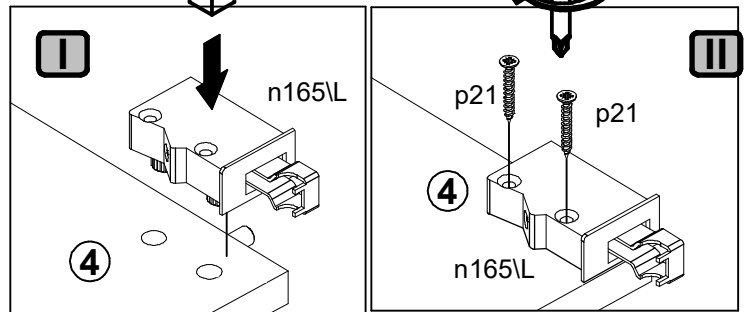
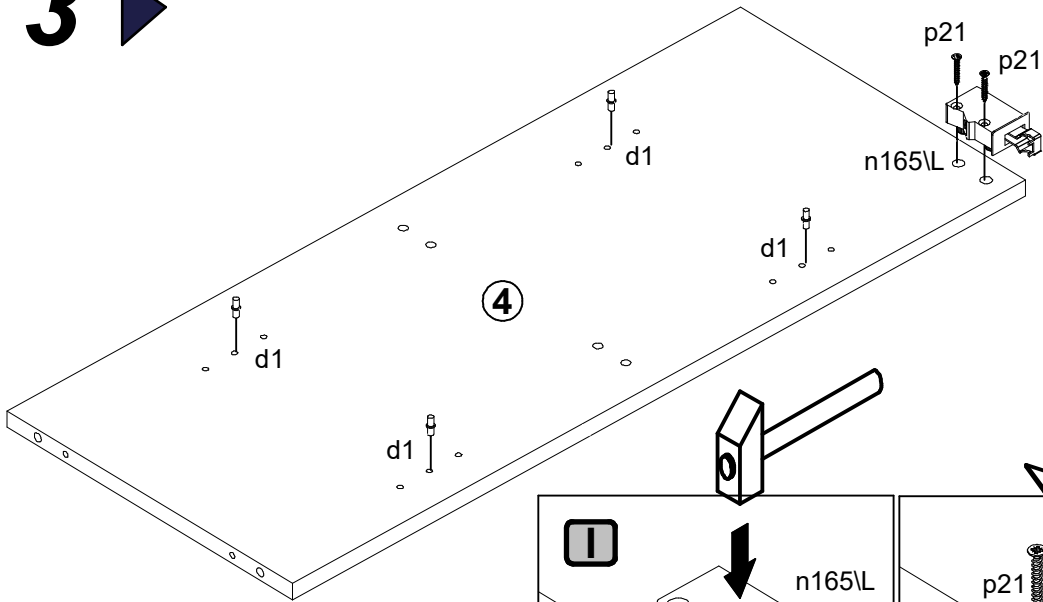
2 ▶

- 2x $\varnothing 8 \times 30$ mm f1
- 2x $\varnothing 15 \times 12$ mm #16 r1
- 4x 20/11 r42
- 2x m79\1
- 6x $\varnothing 3.5 \times 15$ mm p51
- 4x $\varnothing 5 \times 17$ mm d1
- 1x n165\L
- 2x $\varnothing 4 \times 30$ mm p21

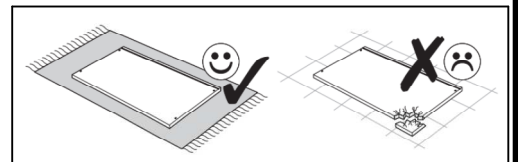


4X Ø8x30 mm f1	2x Ø15x12 mm #16 r1	1x n165L	8X Ø5x17 mm d1
			2x Ø4x30 mm p21

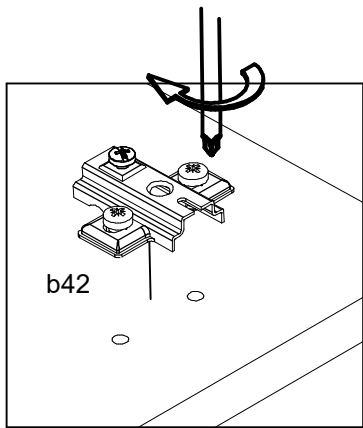
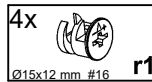
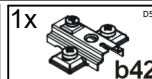
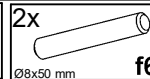
3 ▶



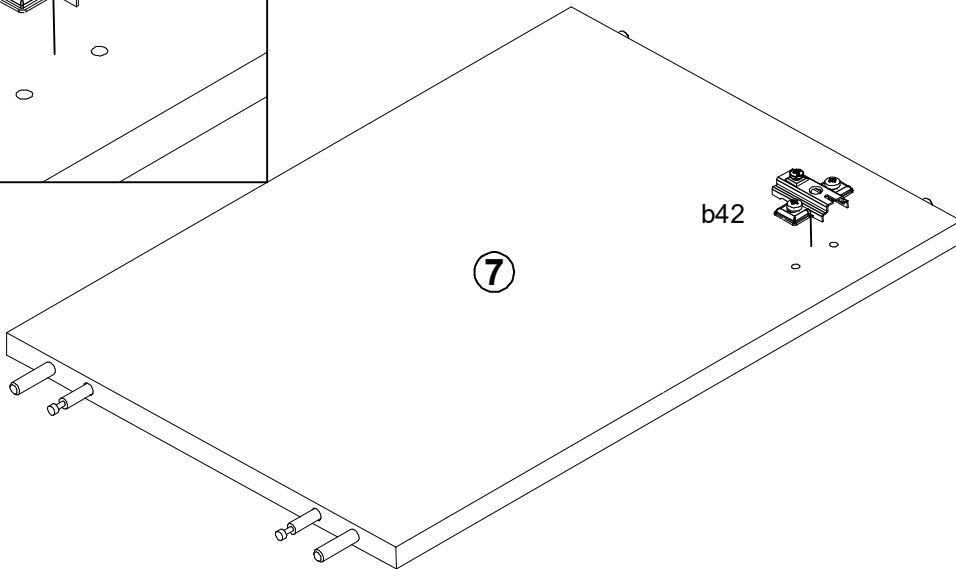
▶ 4



5 ▶

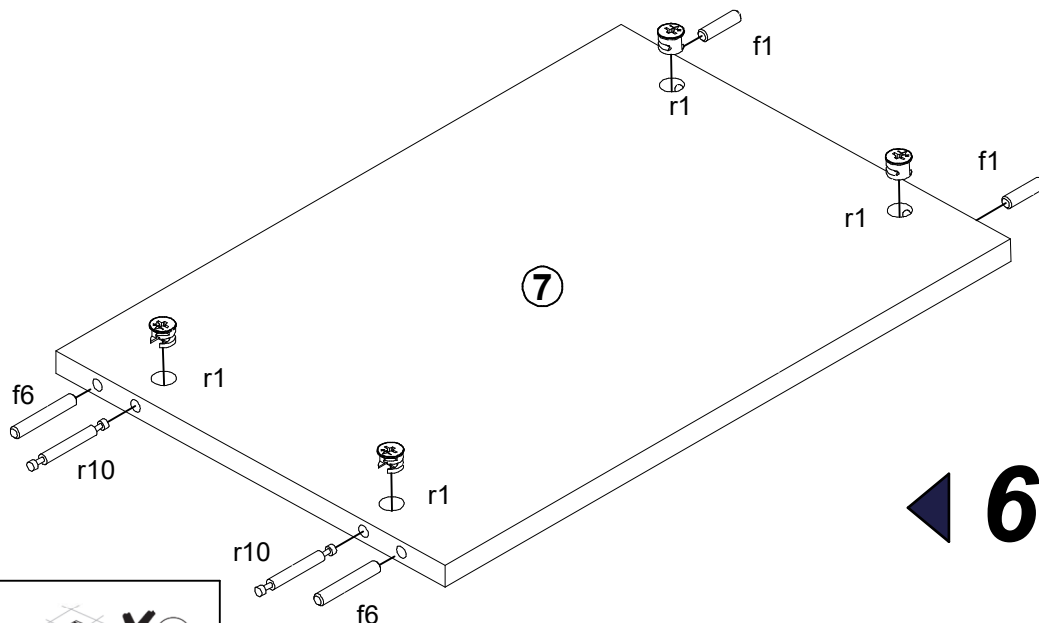
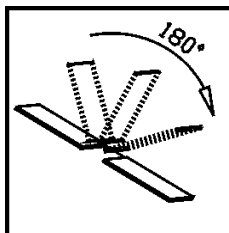
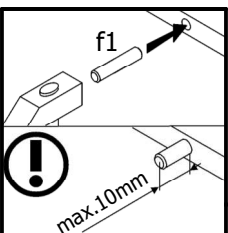
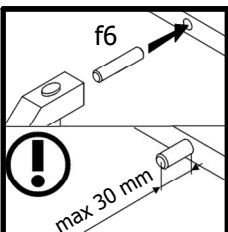
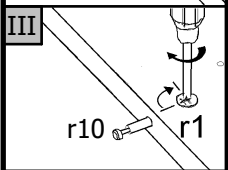
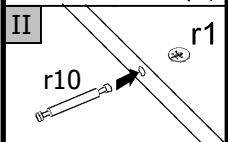
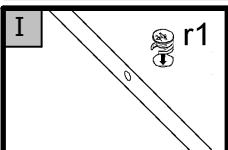
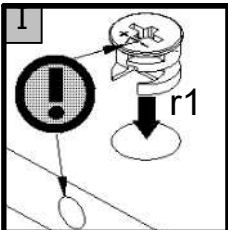


b42



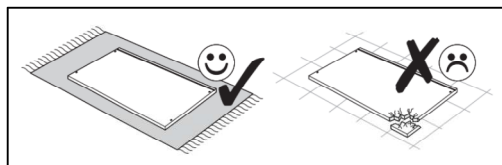
b42

7

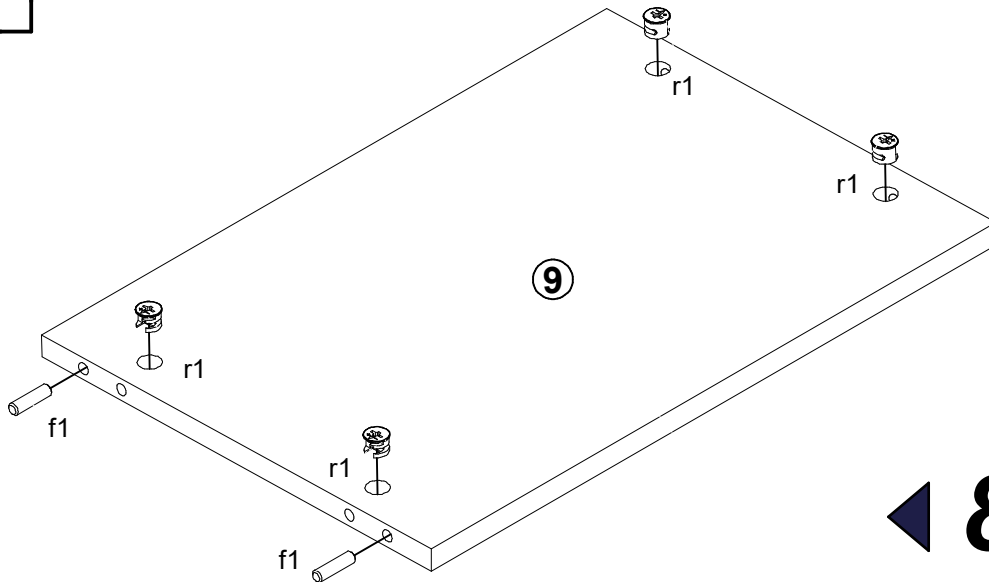
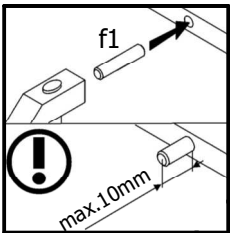
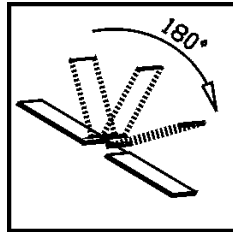
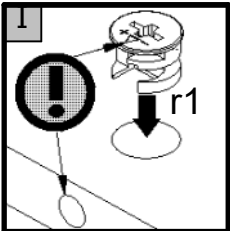
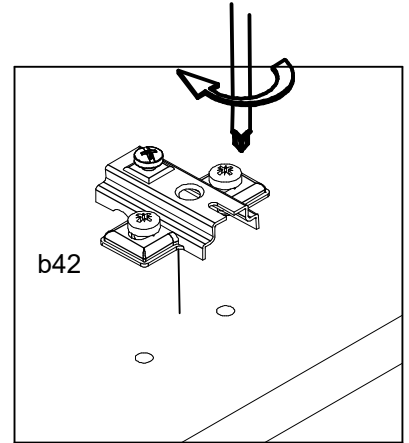
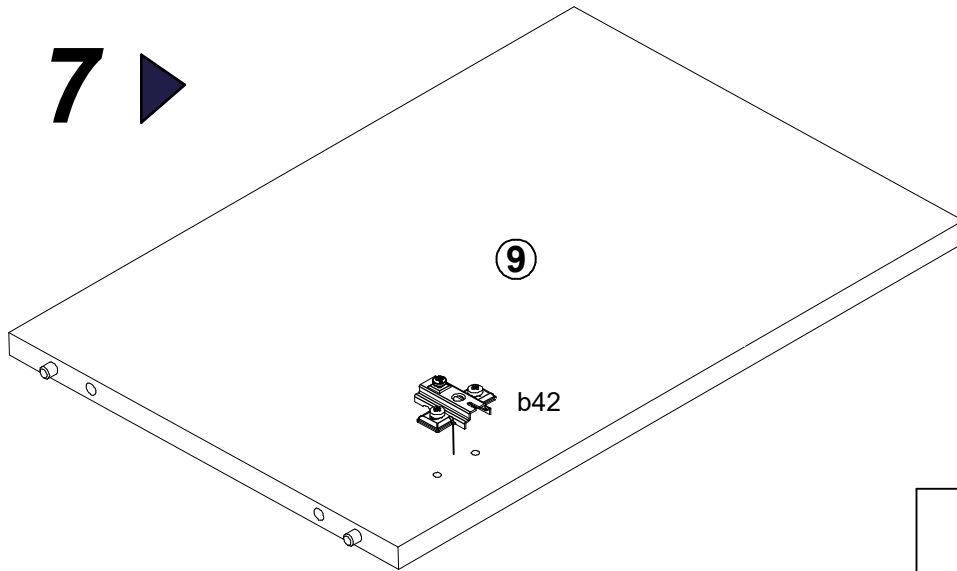
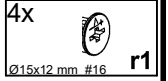
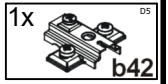
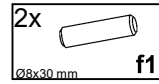


7

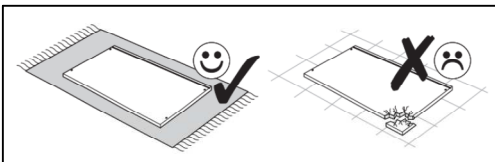
◀ 6



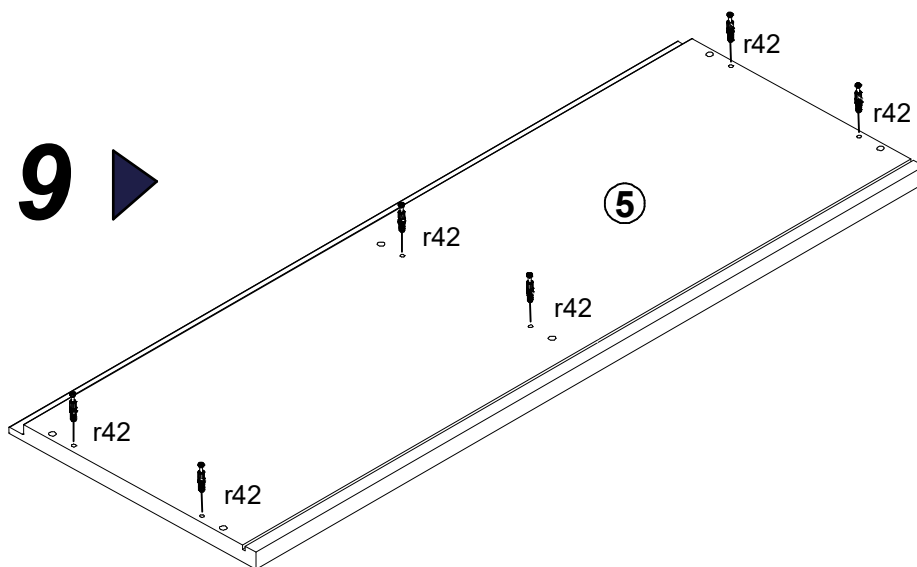
7 ▶


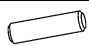




◀ 8

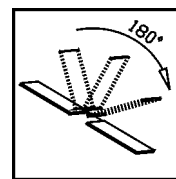
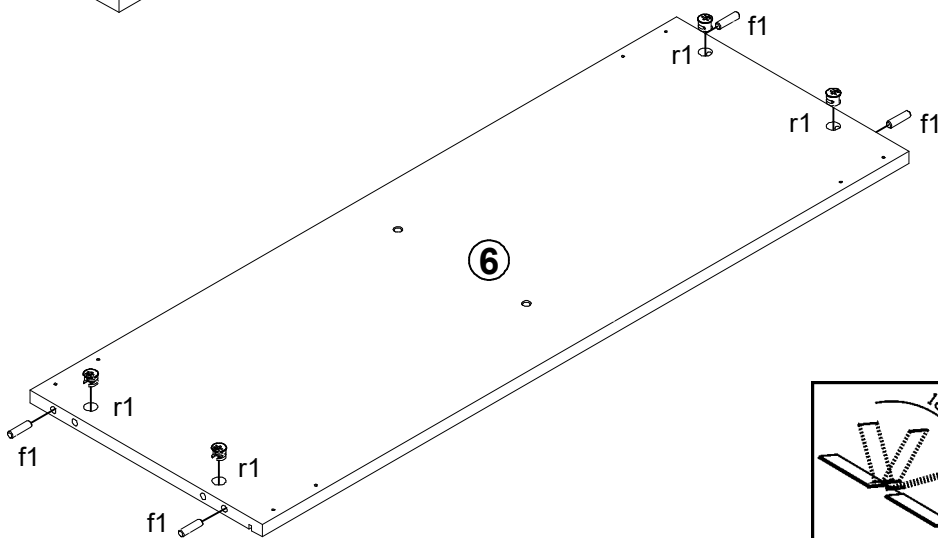


9 ▶

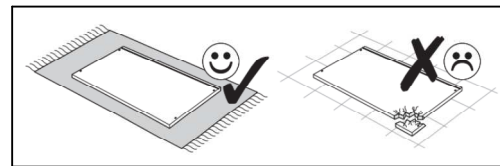
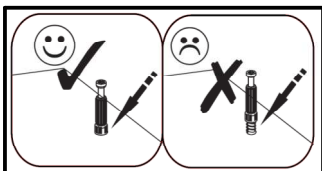
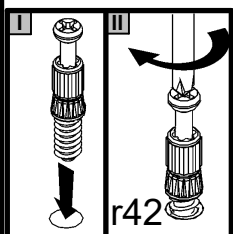
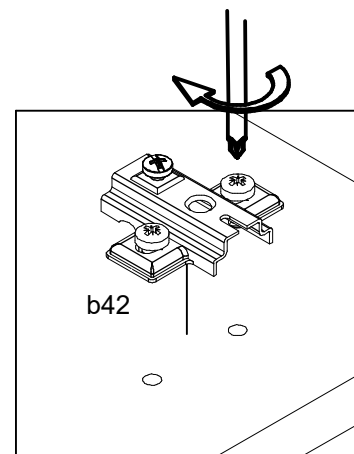
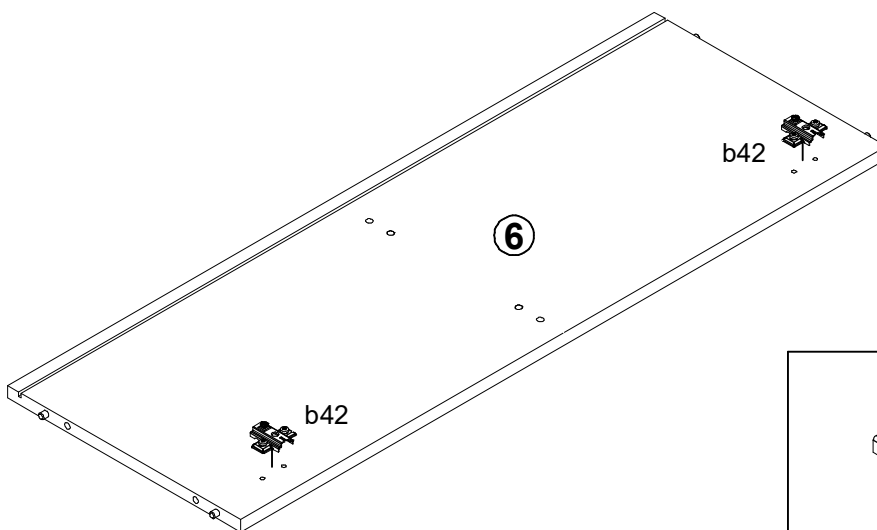


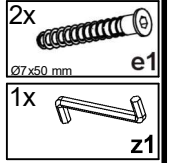
- 6x  r42
- 4x  f1
Ø8x30 mm
- 4x  r1
Ø15x12 mm #16
- 2x  b42

10 ▶

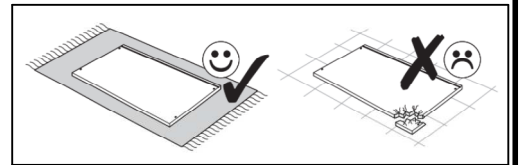
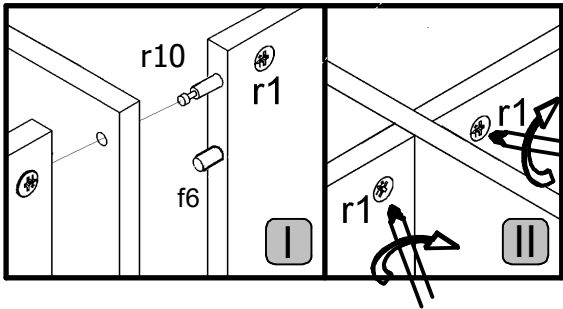
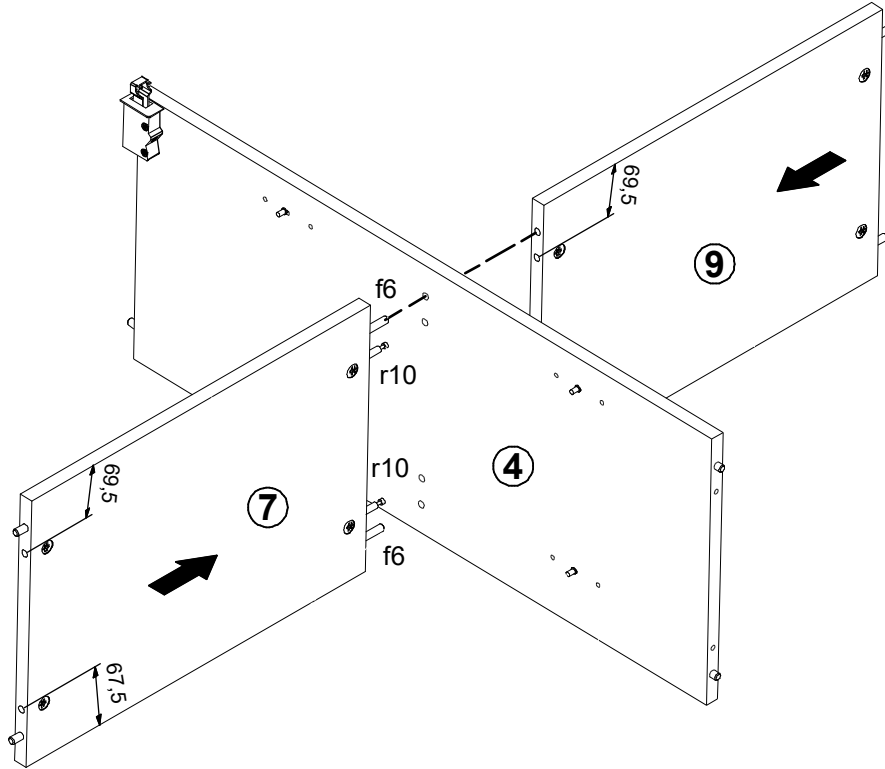


11 ▶

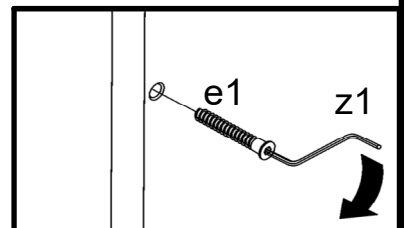
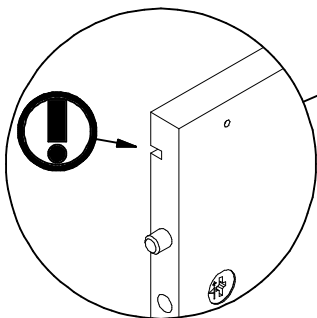
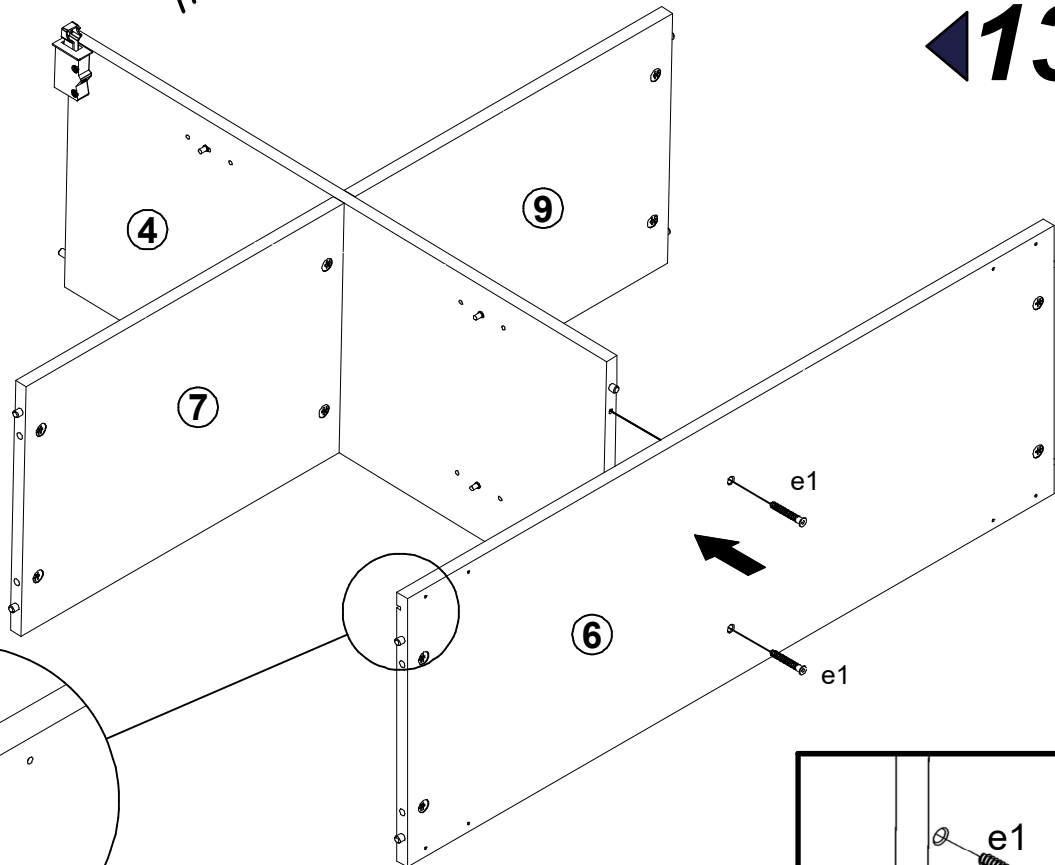




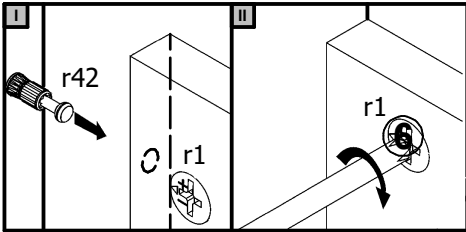
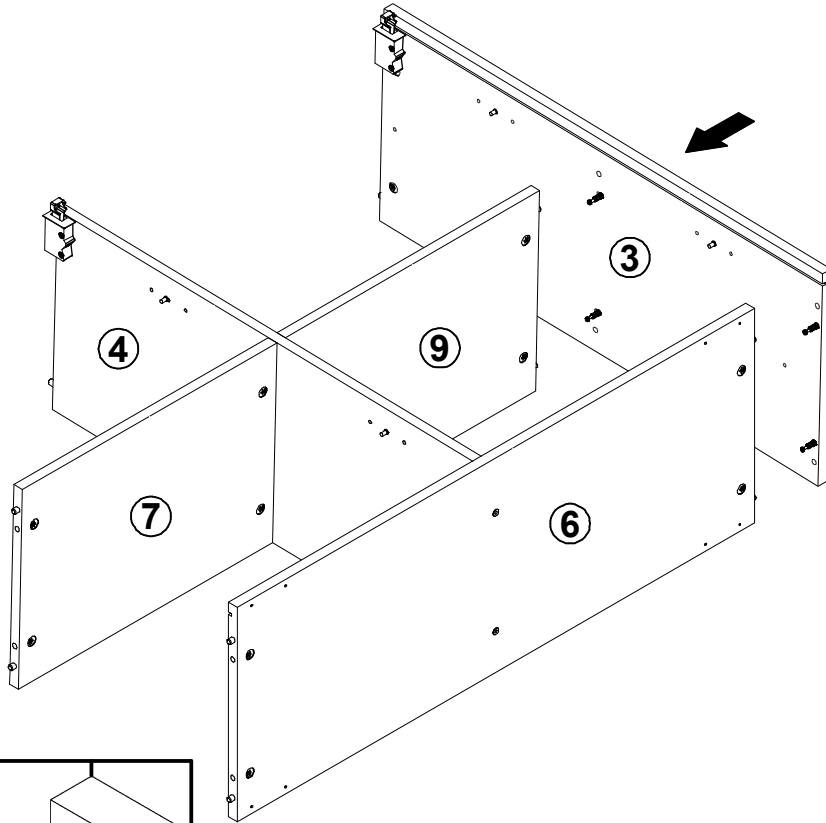
12 ▶



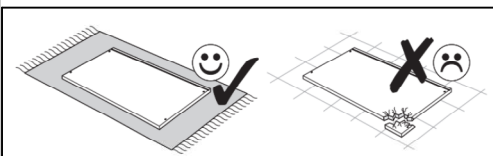
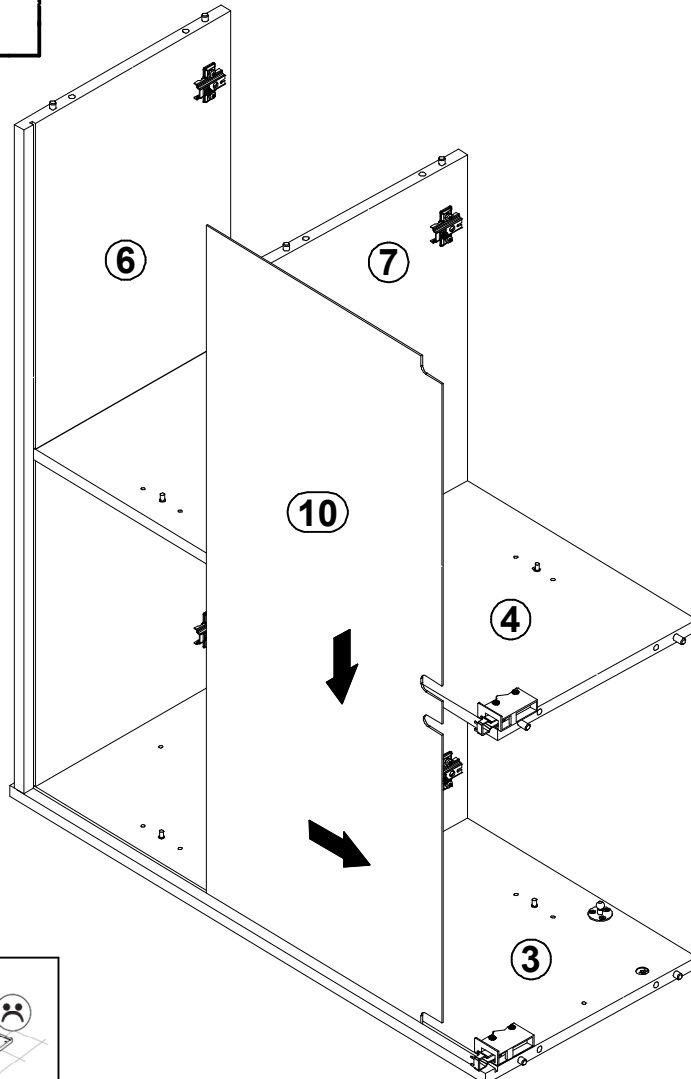
▶ 13



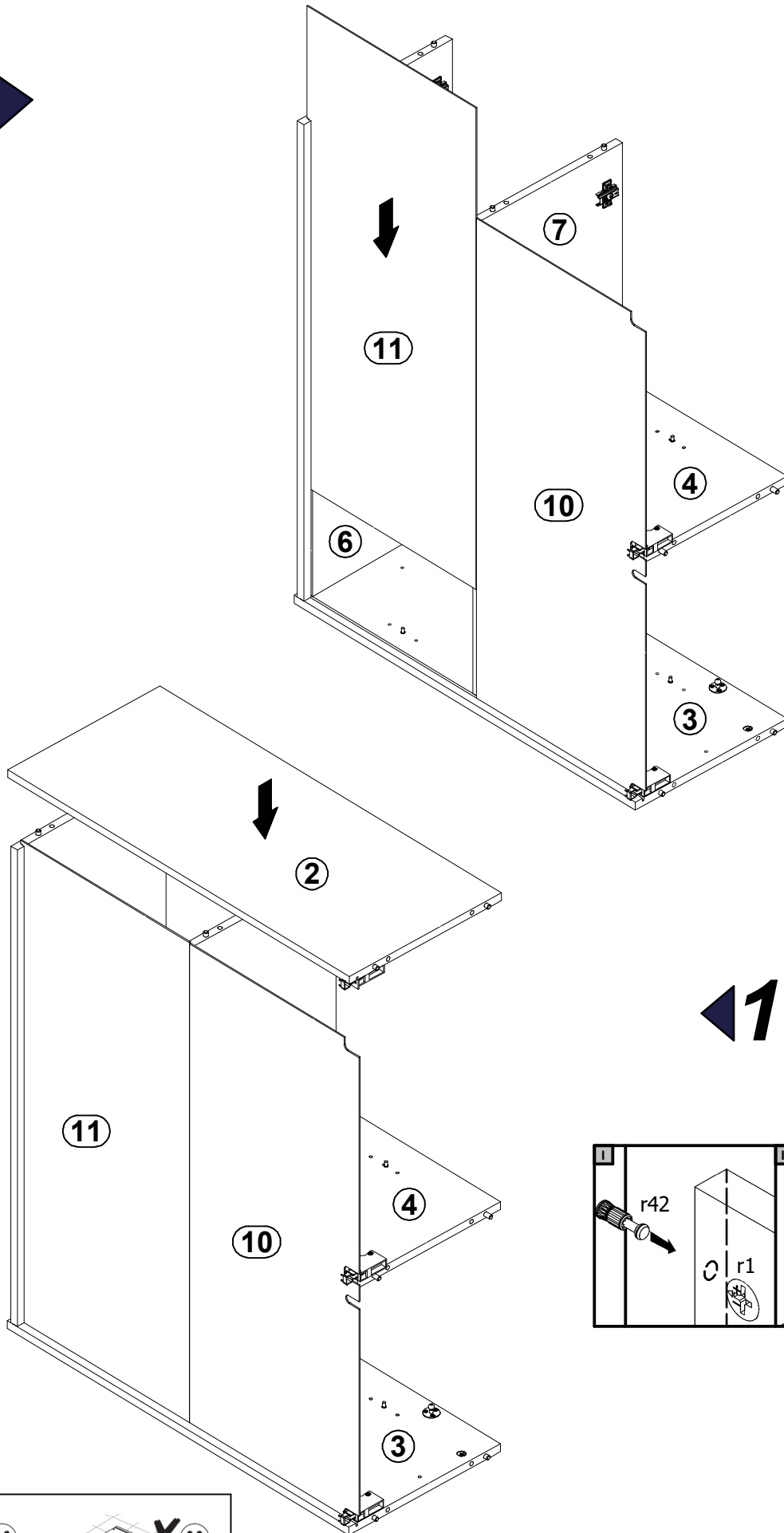
14



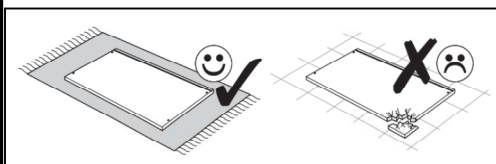
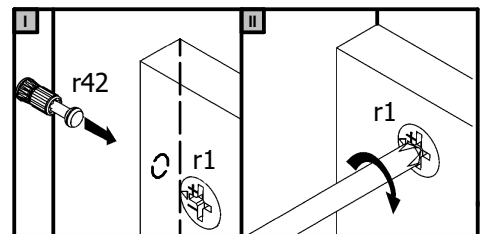
15



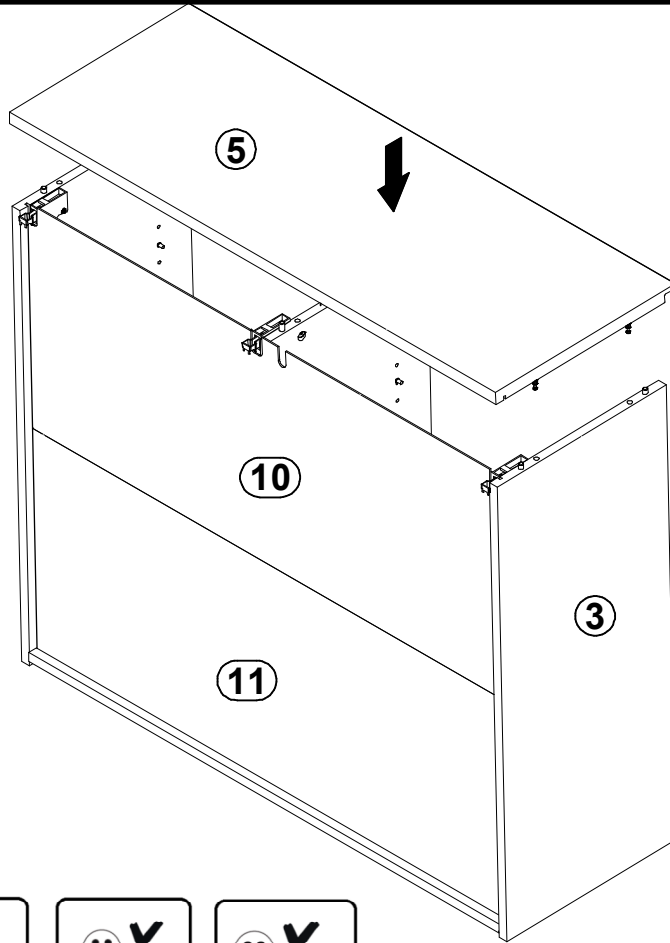
16 ▶



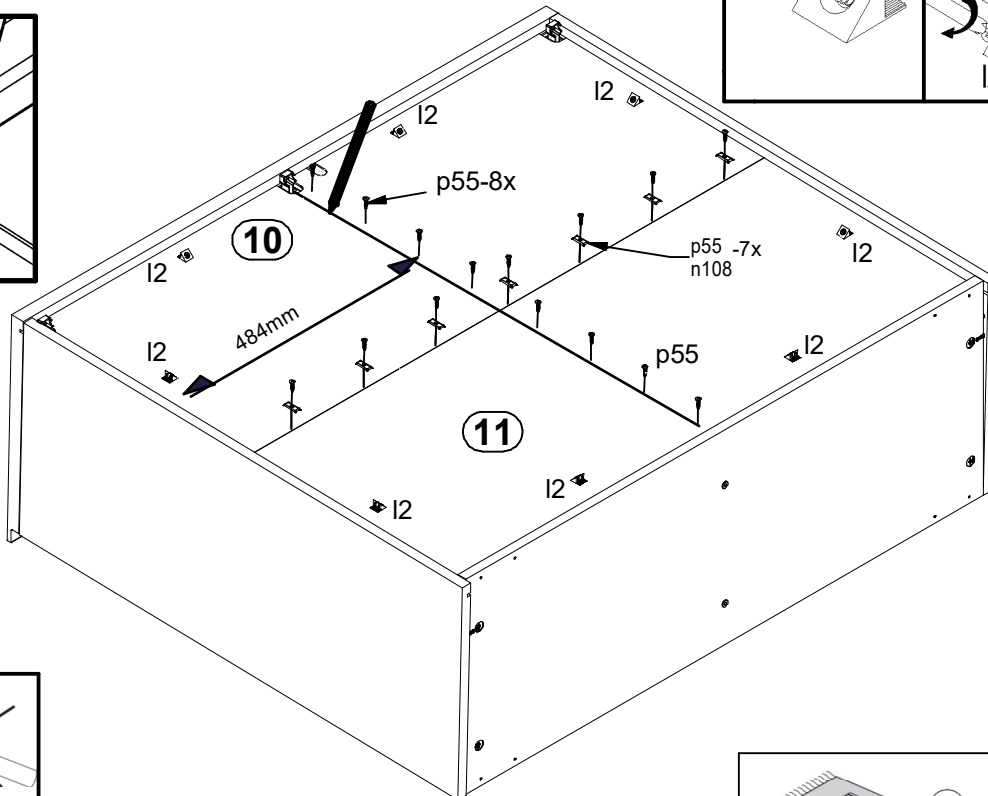
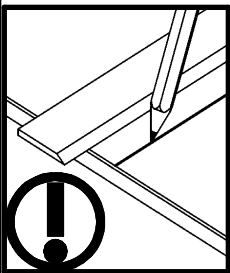
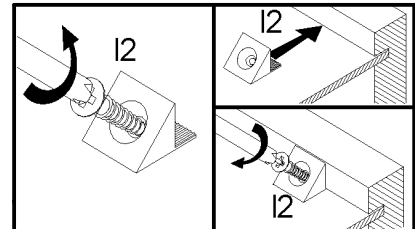
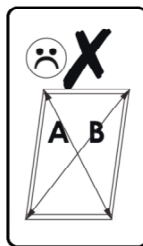
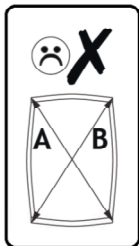
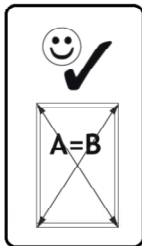
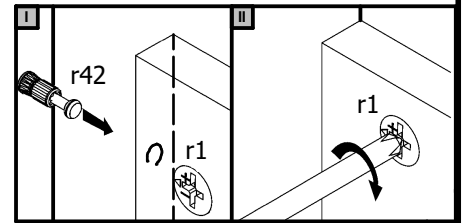
◀ 17



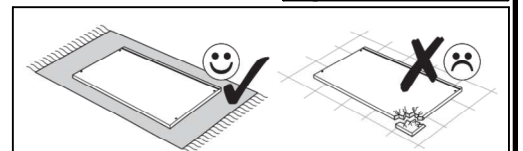
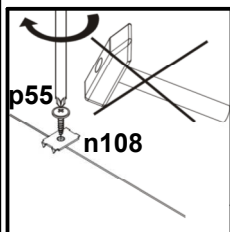
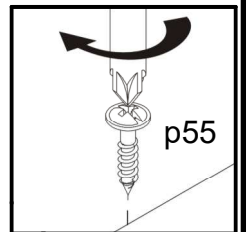
18 ▶

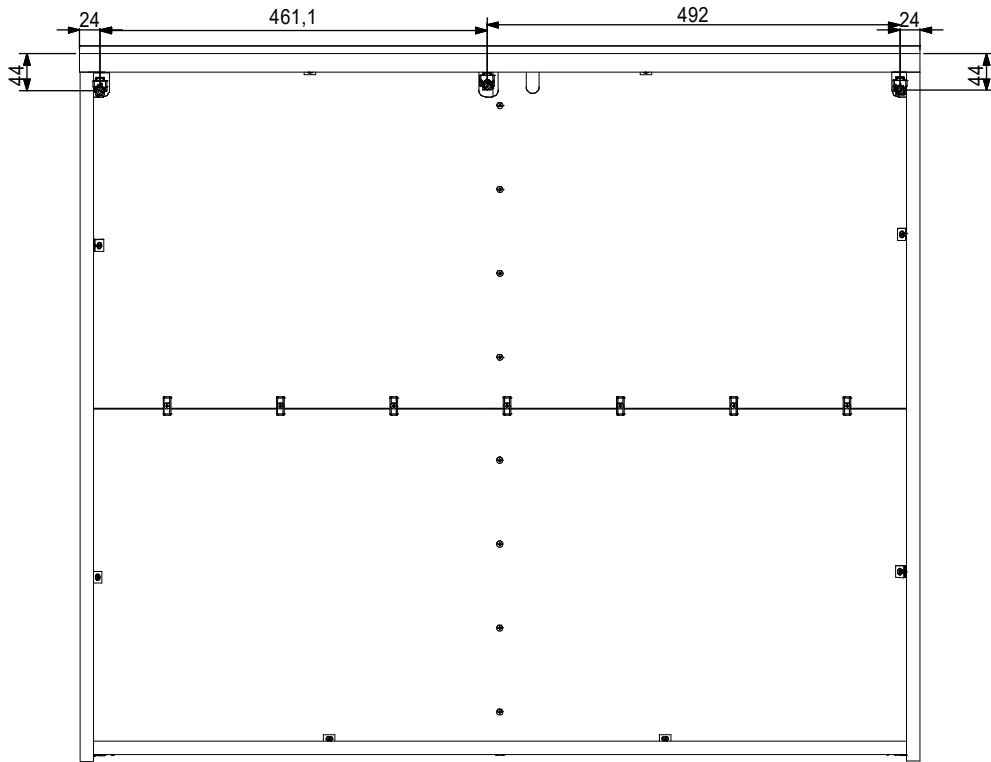


- 8x I2
- 7x n108
20x13x3.5,1
- 15x p55
Ø2.9x16 mm

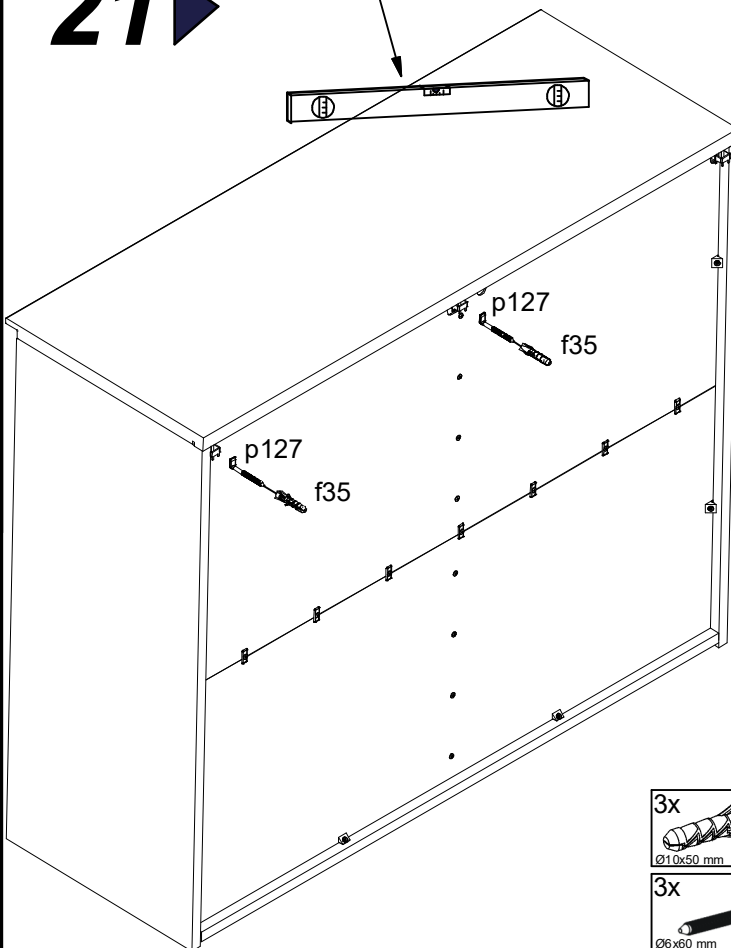
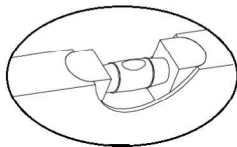


◀ 19





21▶



	$\phi 10$ mm 	f35 	f35 	f35
--	------------------	---------	---------	---------

		p127
--	--	----------

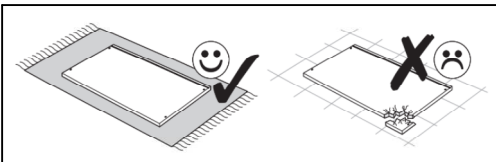
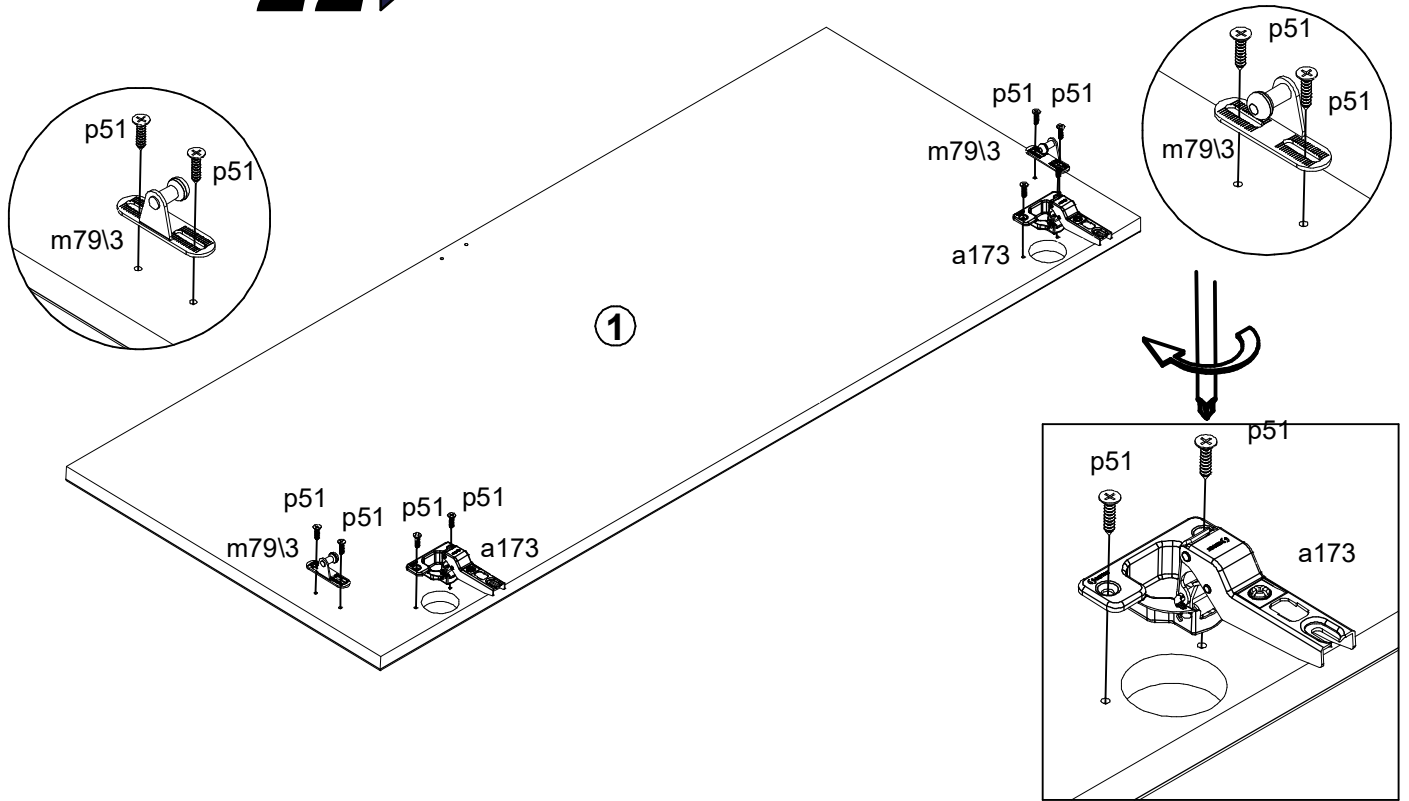
p127 	p127 	p127
----------	----------	----------

3x $\phi 10 \times 50$ mm f35
3x $\phi 6 \times 60$ mm p127

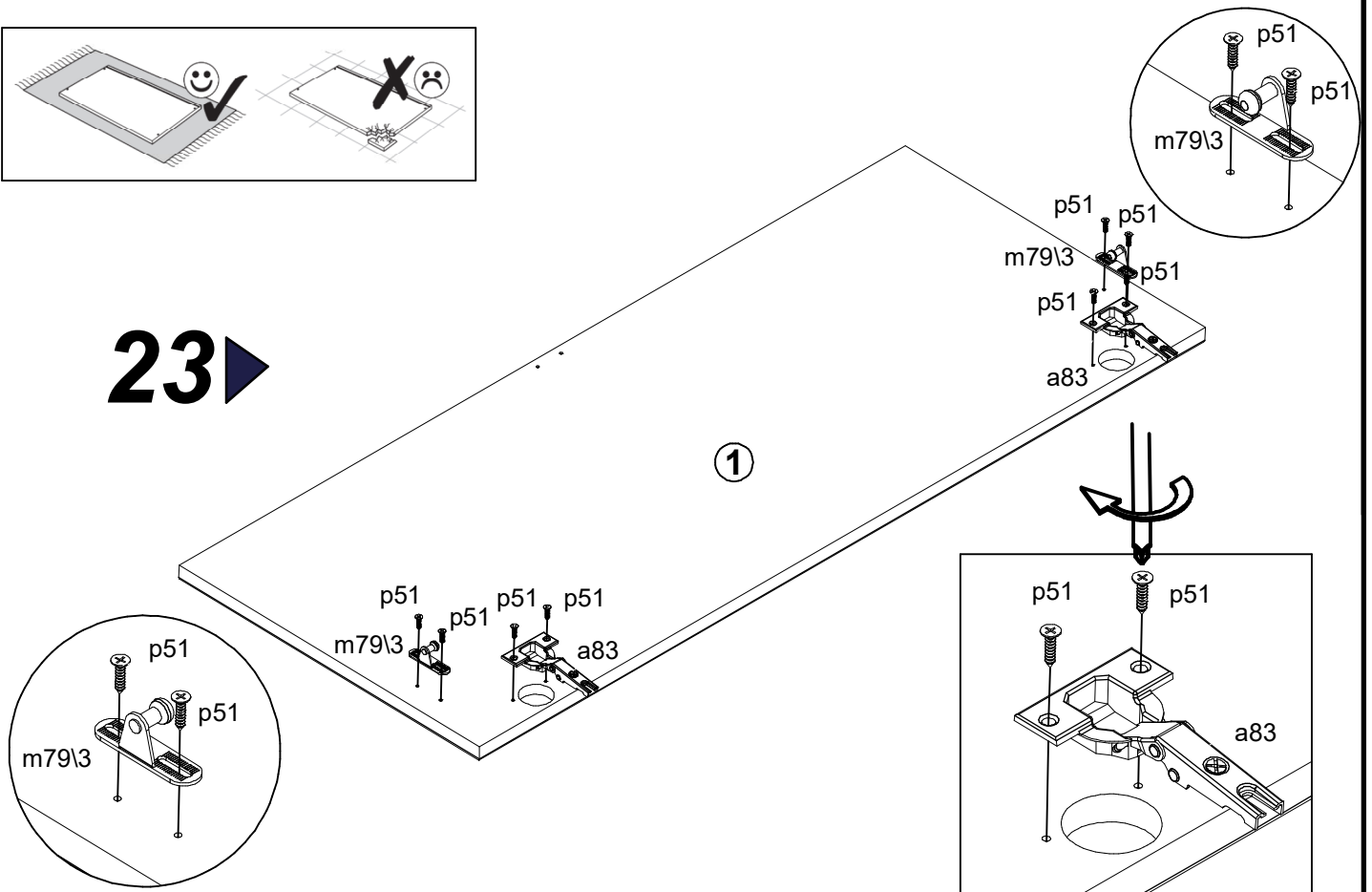
		n165
--	--	----------

16x Ø3,5x15 mm p51	4x m79\3	2x K9 Ø35 a173	2x K9 Ø35 a83
--------------------------	-------------	----------------------	---------------------

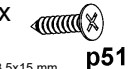
22 ▶

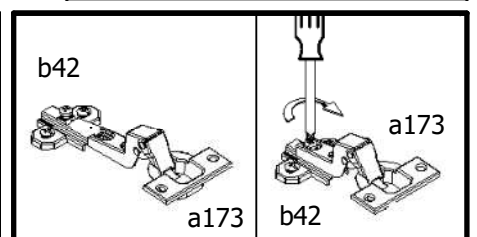
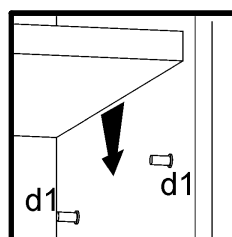
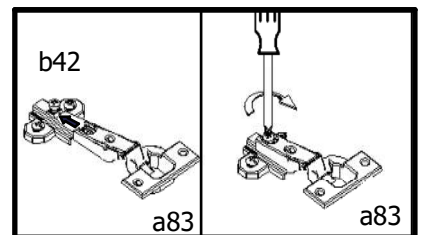
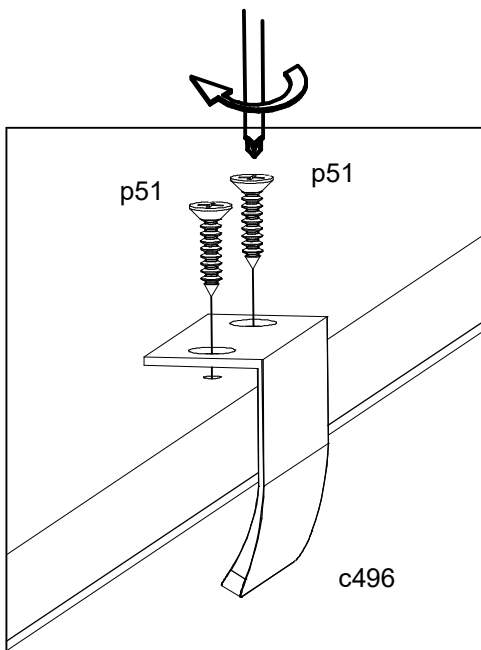
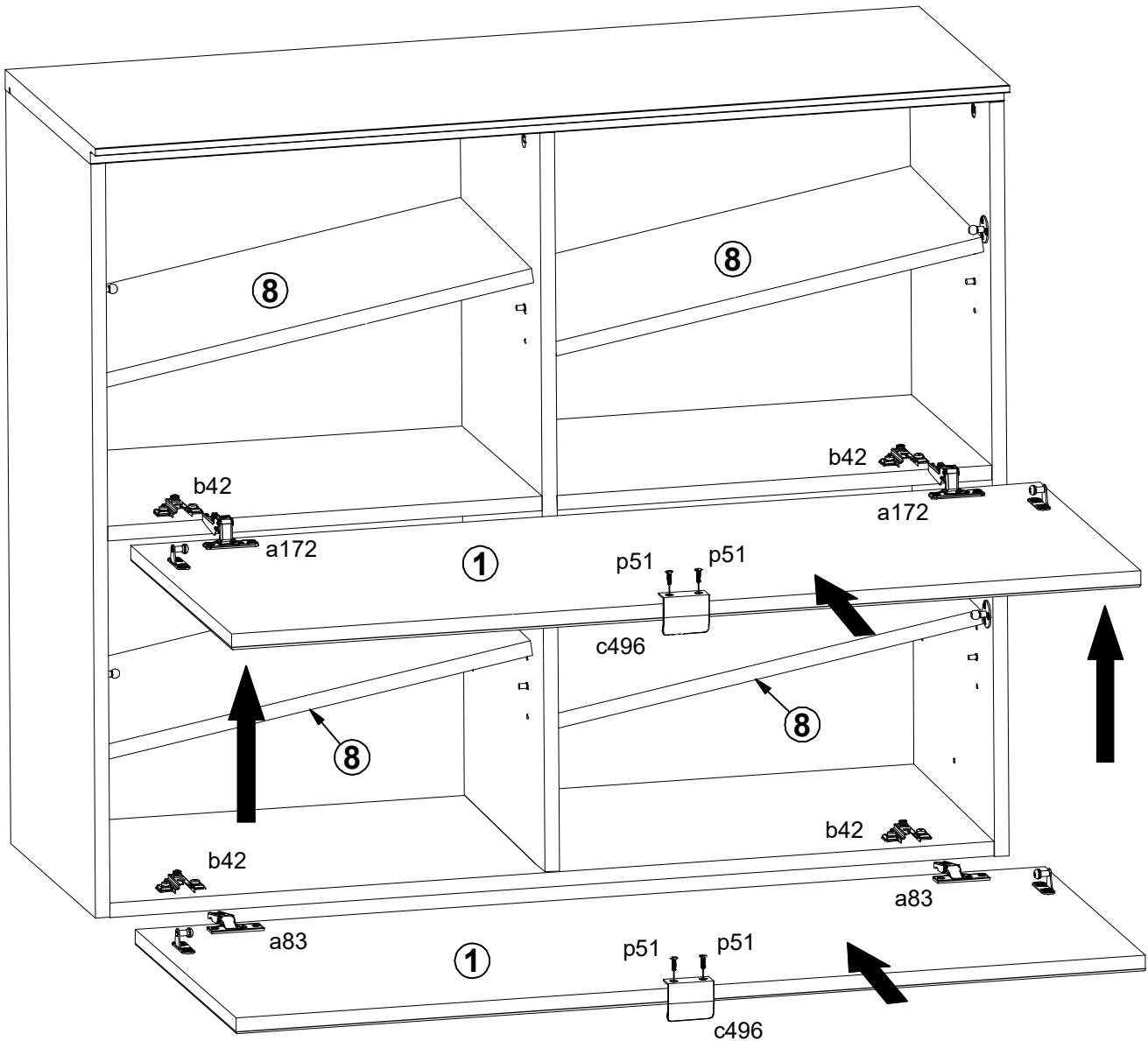


23 ▶

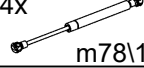
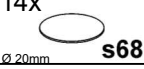


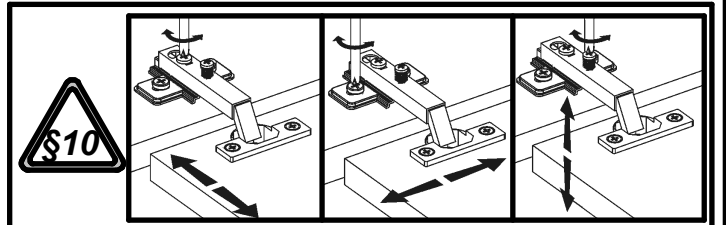
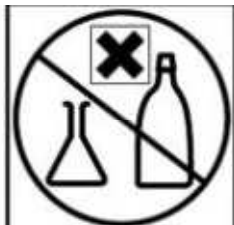
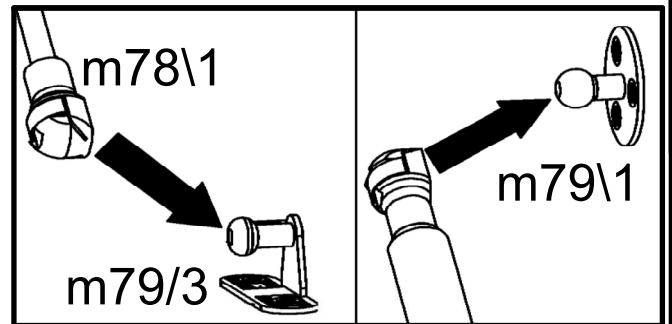
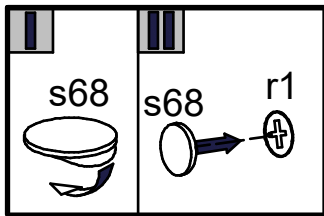
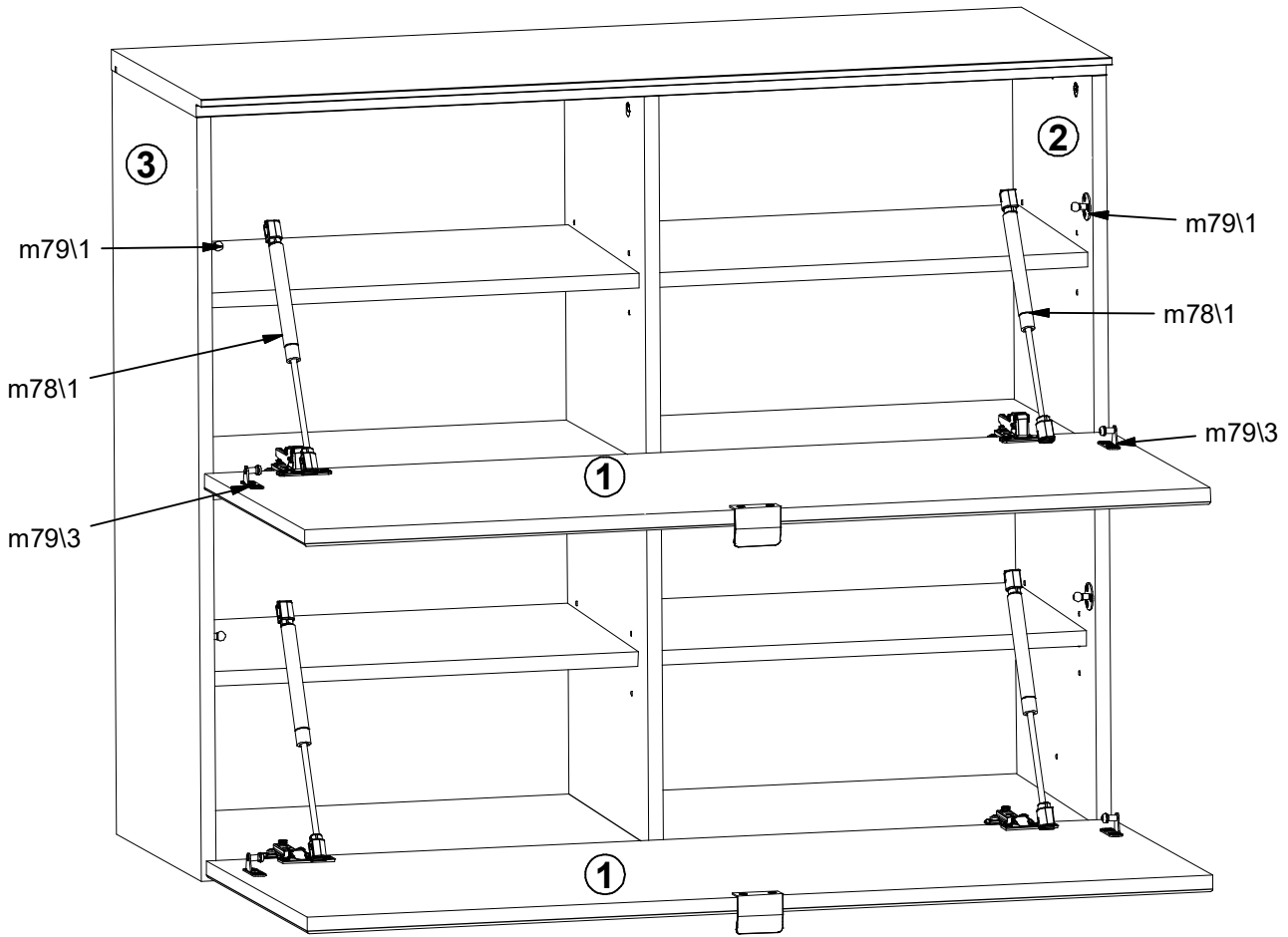
24 ▶

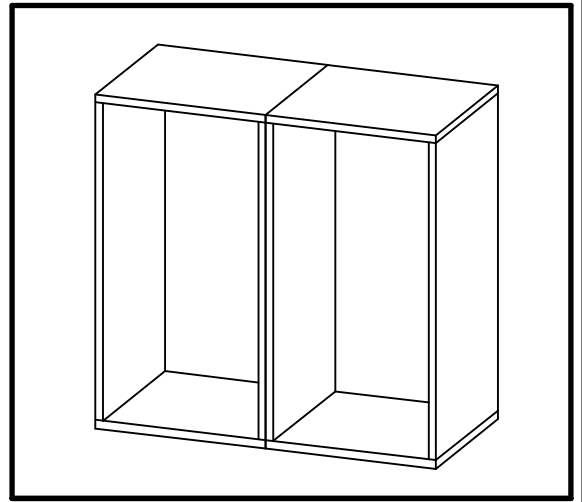
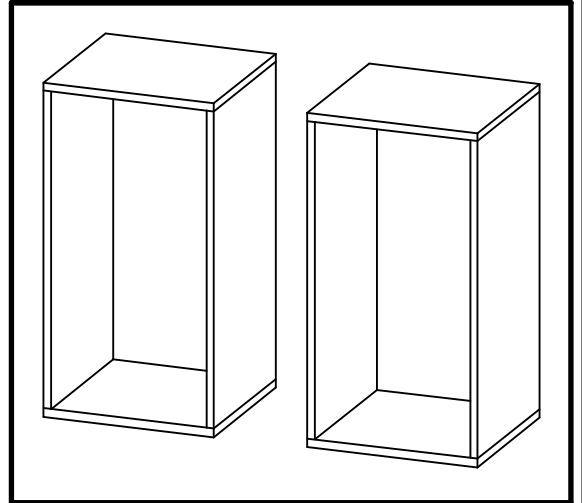
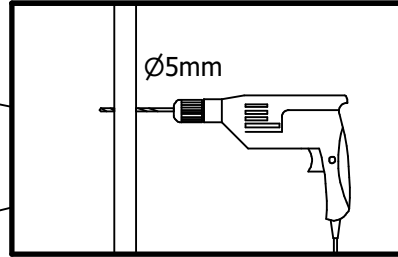
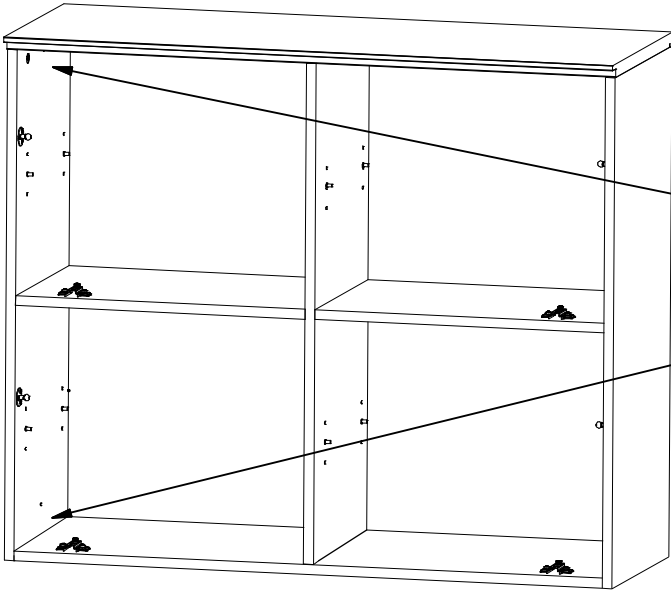
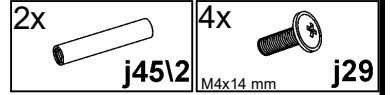
- 2x  c496
- 4x  p51
Ø3.5x15 mm



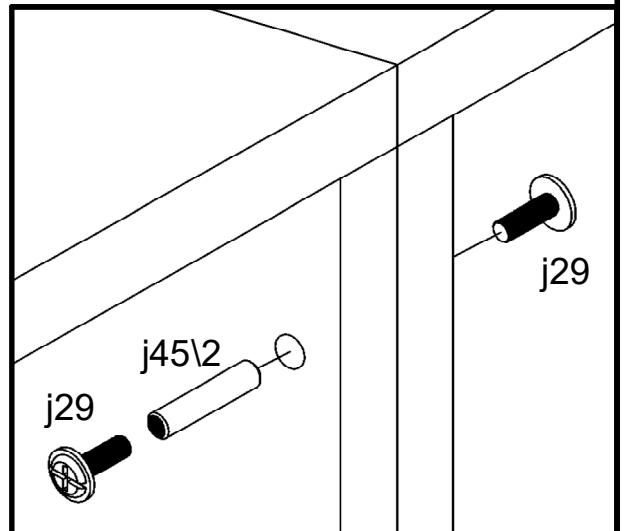
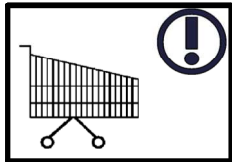
25

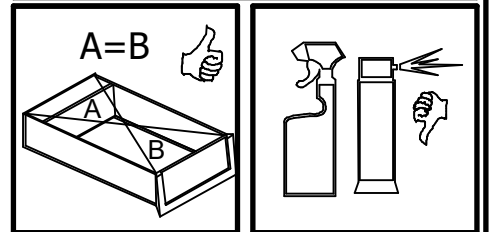
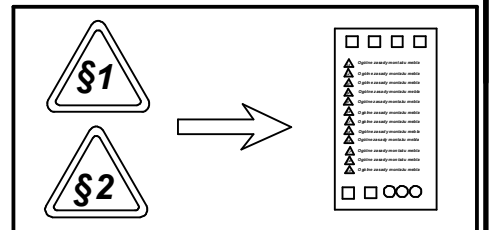
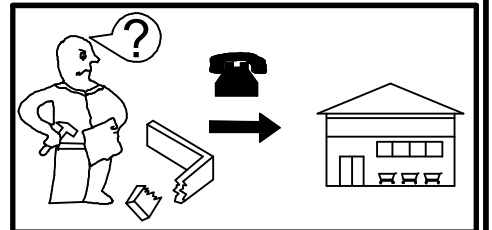
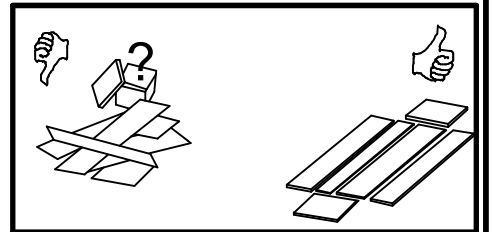
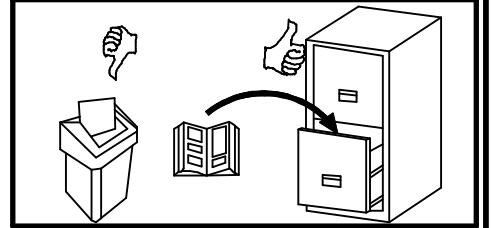
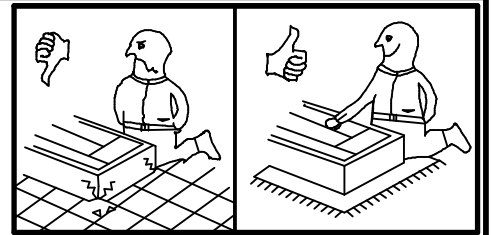
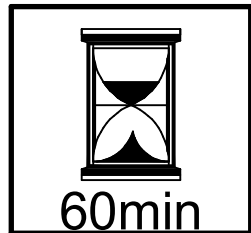
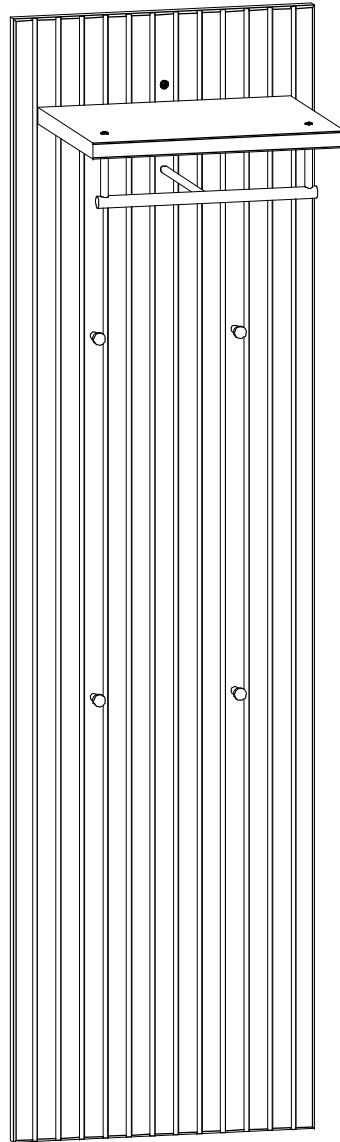
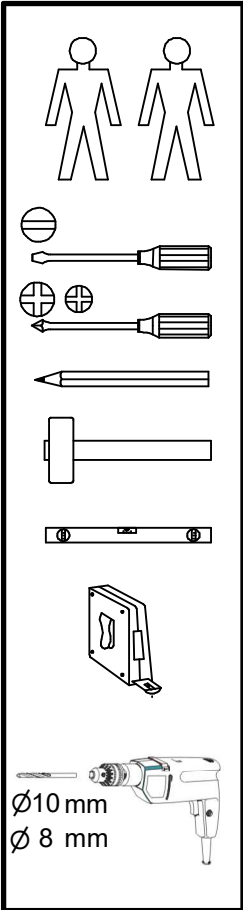
- 4x  m78\1
- 14x  s68
Ø 20mm



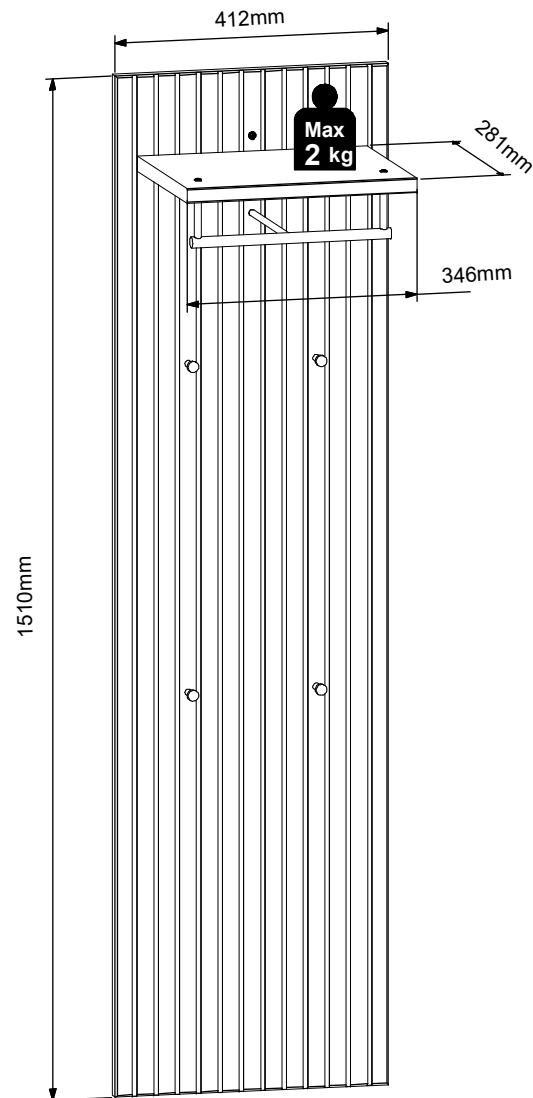
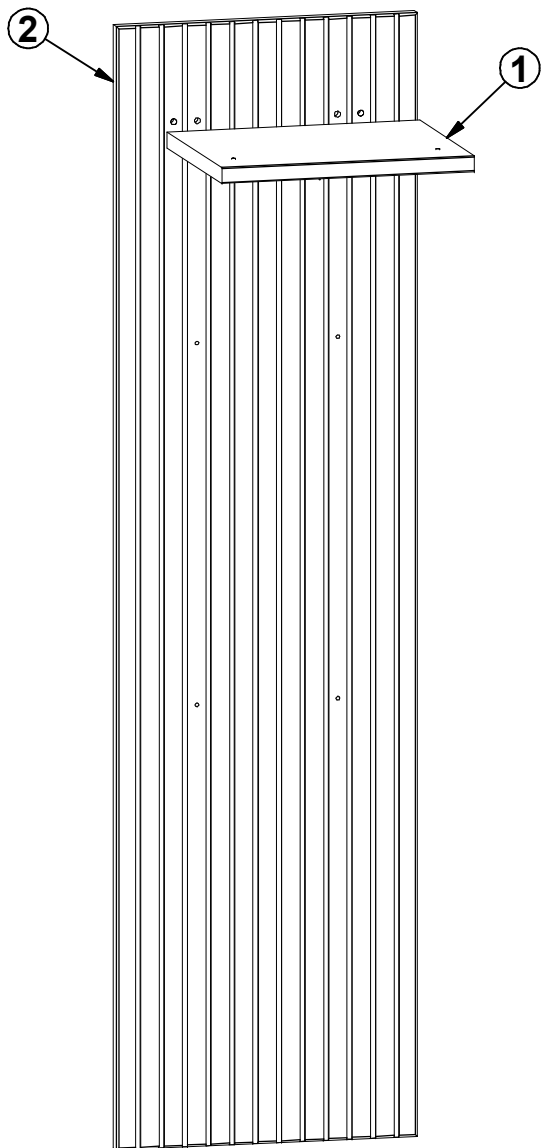




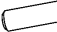





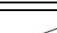

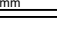
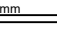
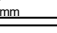
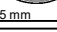
OPTION





A	B1	B2	C1	C2	C3	C4	D
1	M278-3013	-	346	281	22	1	1/1
2	M278-4002	-	1510	412	19	1	1/1



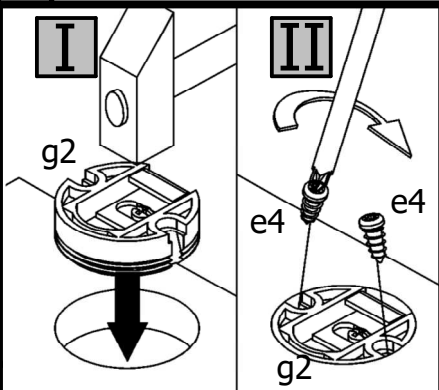
- 6x  **e4**
Ø5x11 mm
- 2x  **e8**
Ø7x60 mm
- 2x  **f1**
Ø8x30 mm
- 3x  **f35**
Ø10x50 mm
- 3x  **g2**
- 4x  **g64**
- 1x  **g6512**
Ø16; L=388 mm
- 2x  **g6513**
Ø18; L=64 mm
- 1x  **g6514**
Ø18; L=212 mm
- 5x  **j8**
M4x25 mm
- 2x  **j11**
M4x28 mm
- 3x  **p75**
Ø6x60 mm
- 1x  **s59**
Ø12x0.5 mm
- 1x  **z1**

A

M278-PAN_A

30 H8 99 48

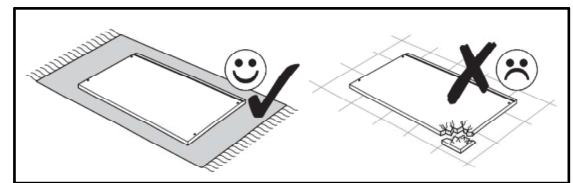
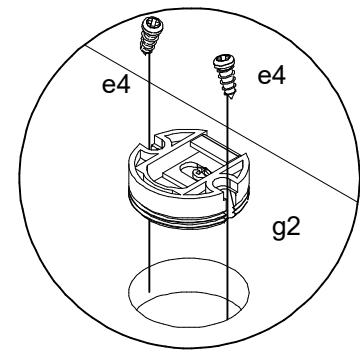
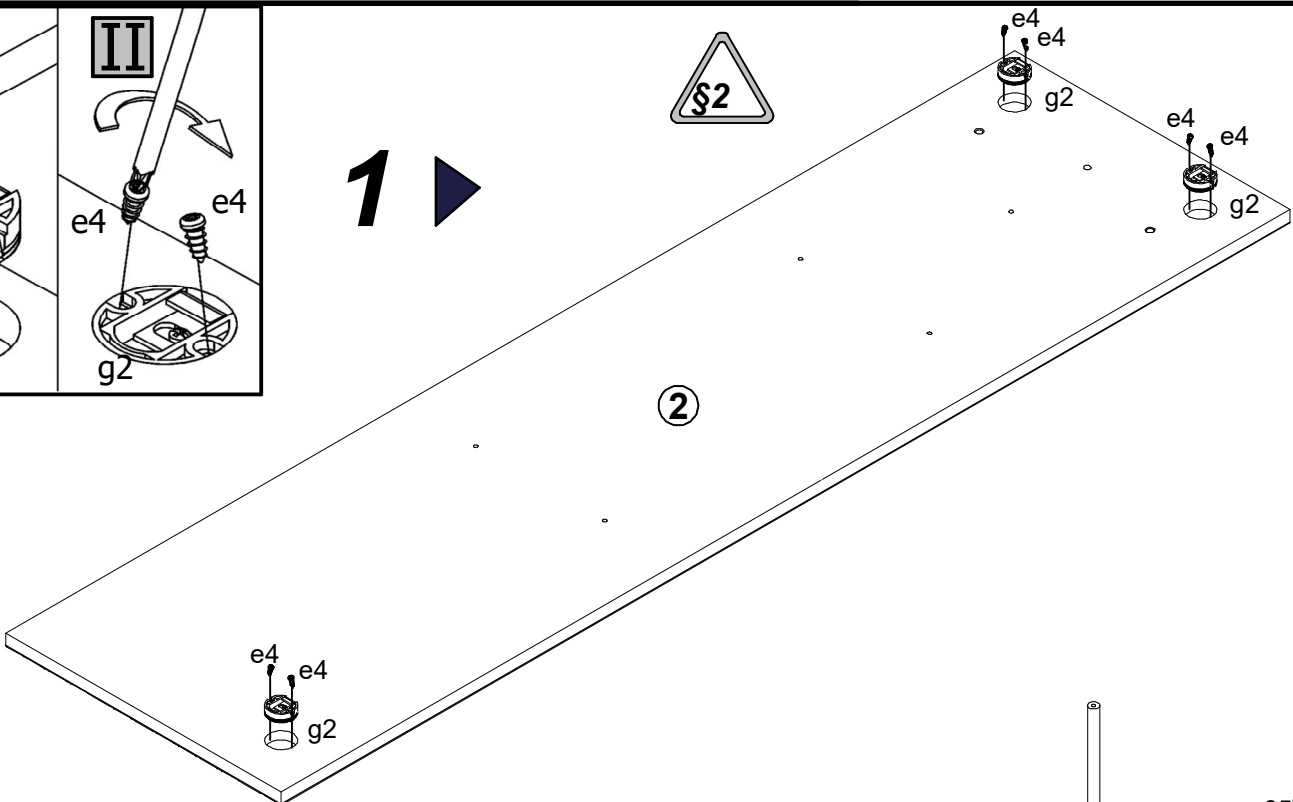
3 / 6



1 ▶

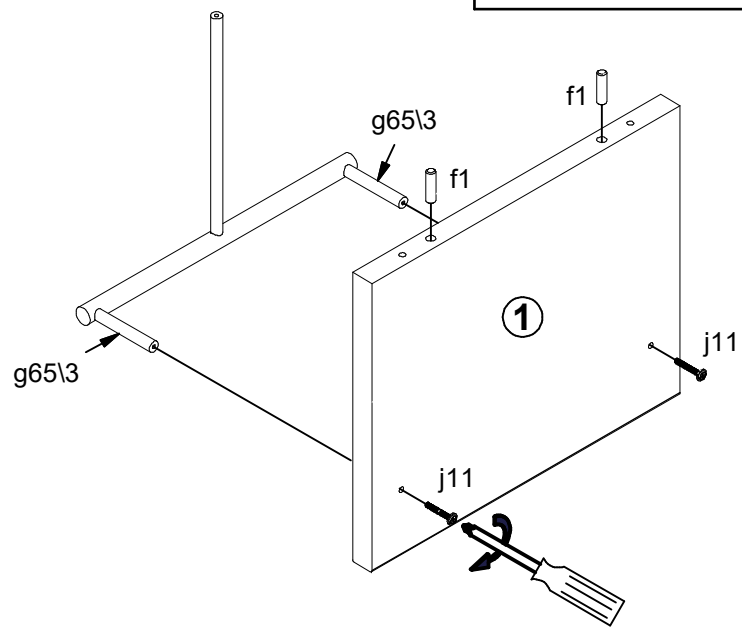
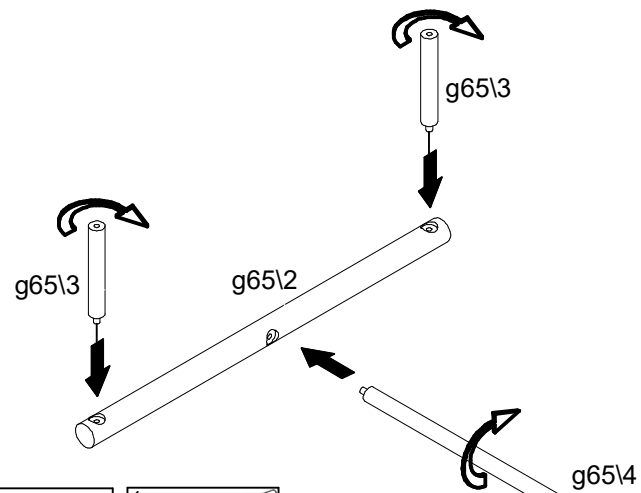


- 6x Ø5x11 mm e4
- 3x g2

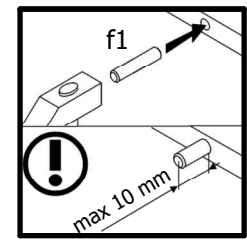


◀ 3

2 ▶

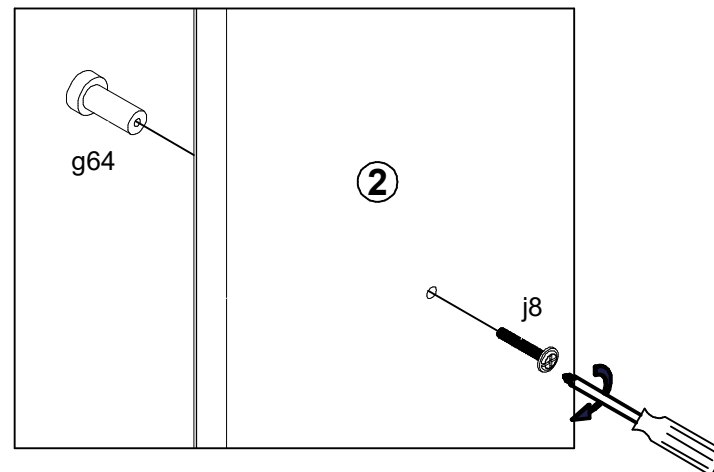
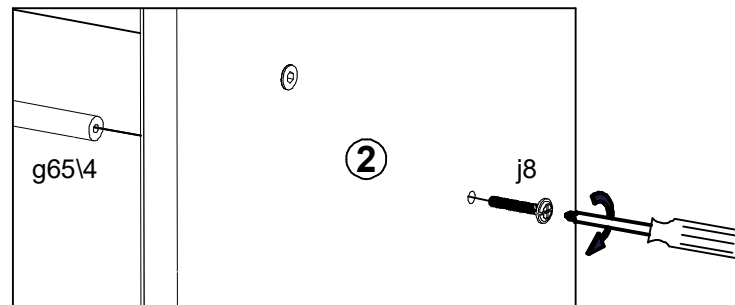
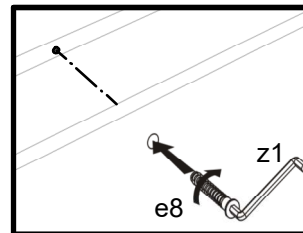
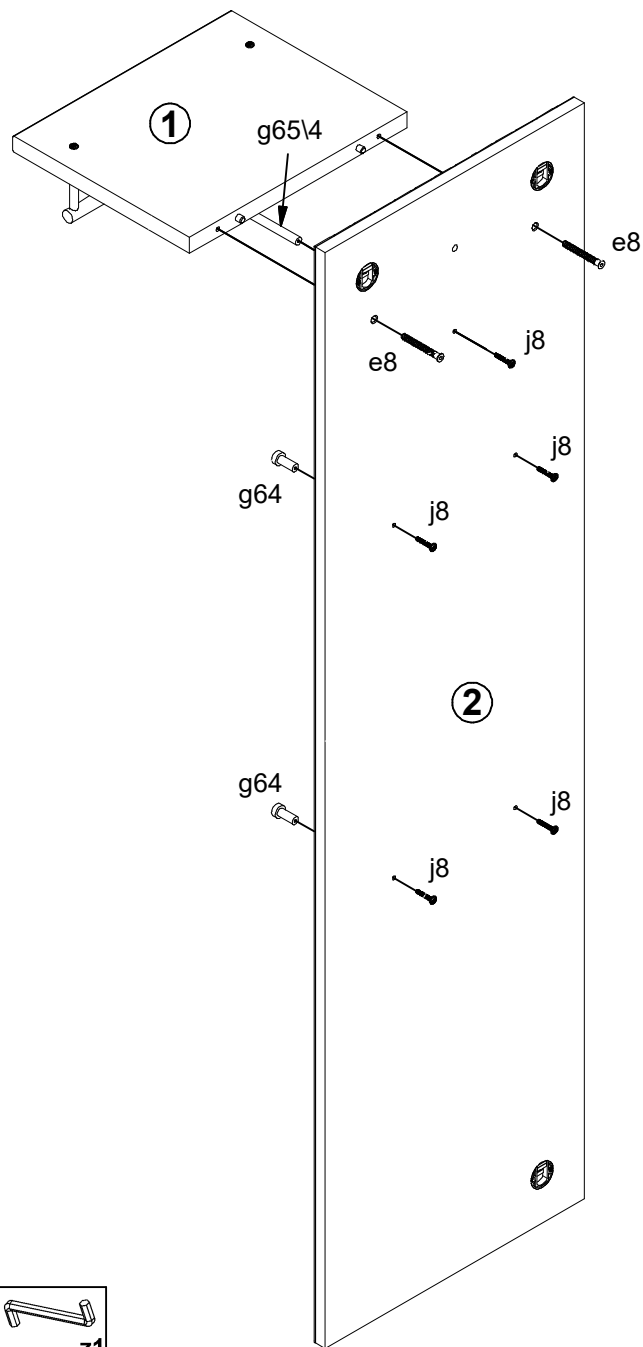


- 2x M4x28 mm j11
- 2x Ø8x30 mm f1



- 1x g65\2 ø16; L=388 mm
- 2x g65\3 ø10; L=64 mm
- 1x g65\4 ø10; L=212 mm

4 ▶



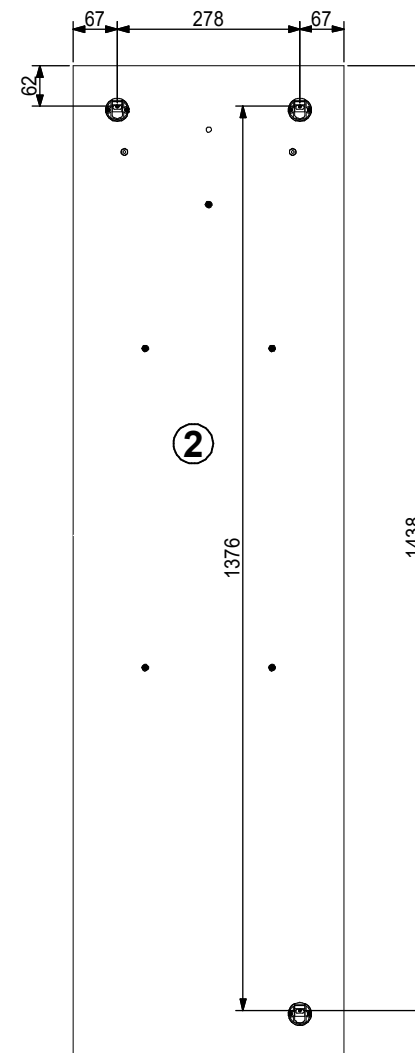
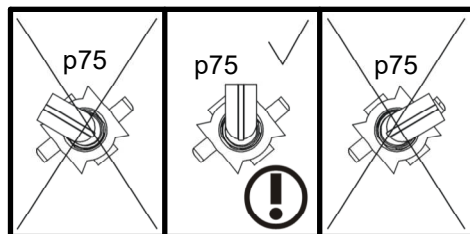
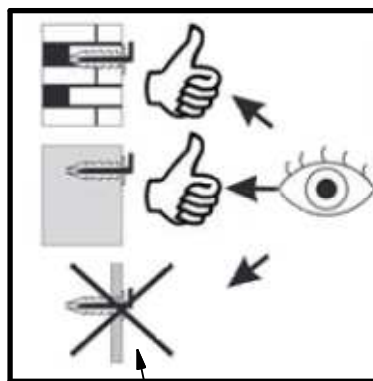
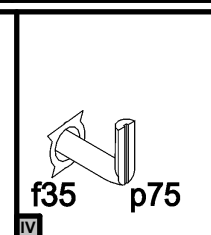
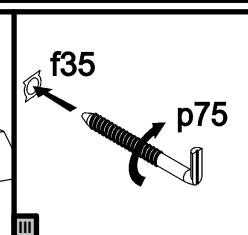
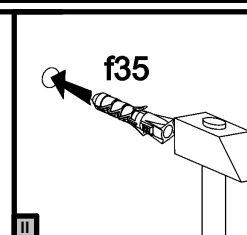
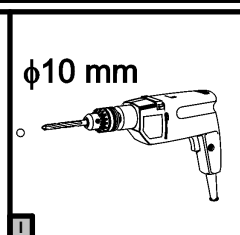
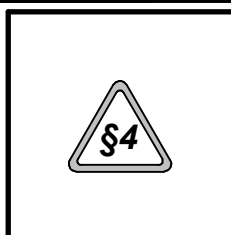
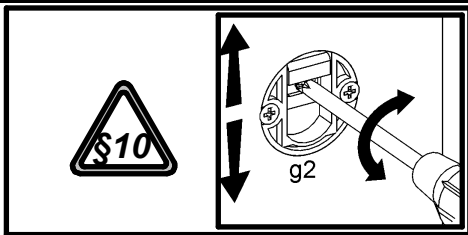
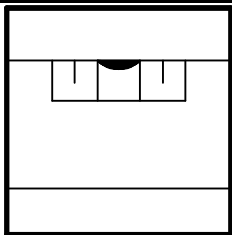
- | | | | | | | | |
|----|-----|----|----------|----|----------|----|----|
| 4x | | 5x | | 2x | | 1x | |
| | g64 | | j8 | | e8 | | z1 |
| | | | M4x25 mm | | Ø7x60 mm | | |

A

M278-PAN_A

30 H8 99 48

5 / 6



5

