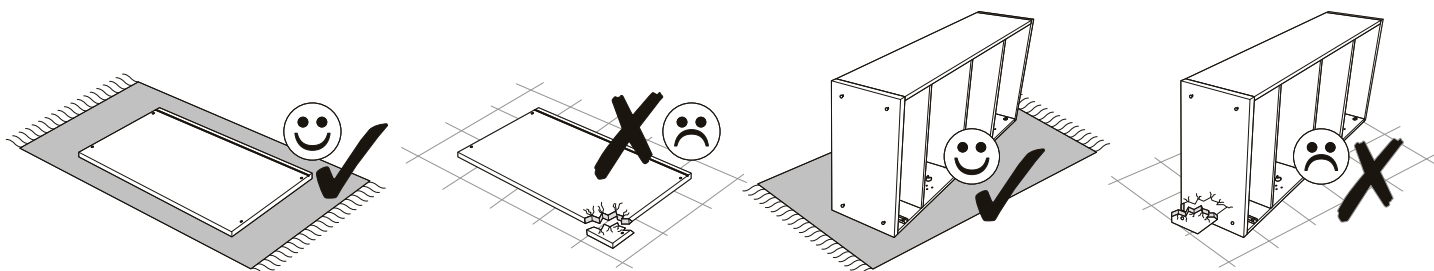
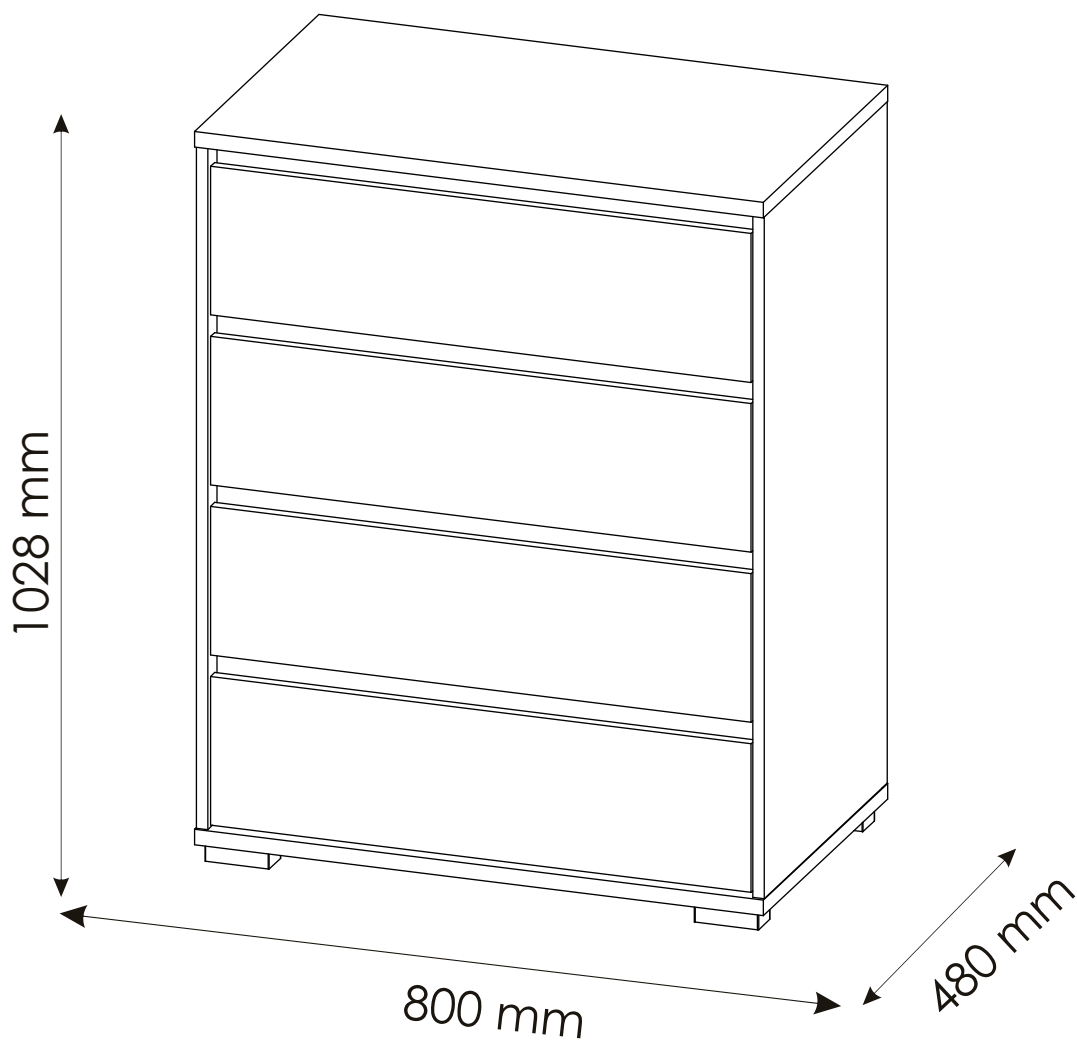
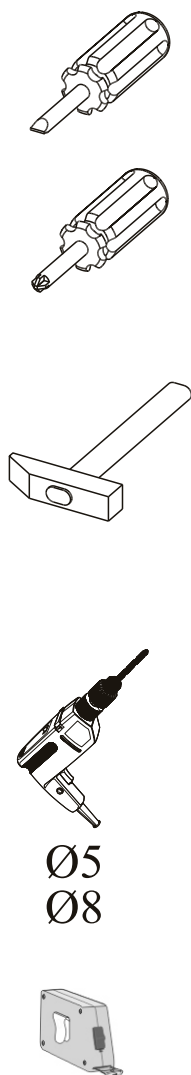
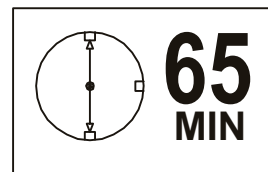
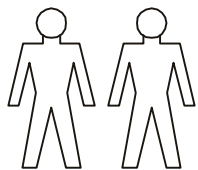

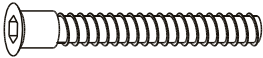
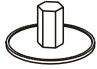
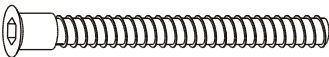









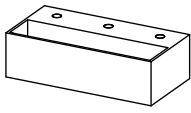

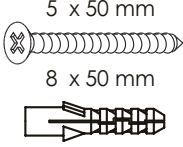
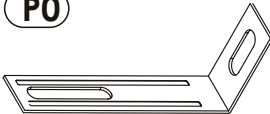
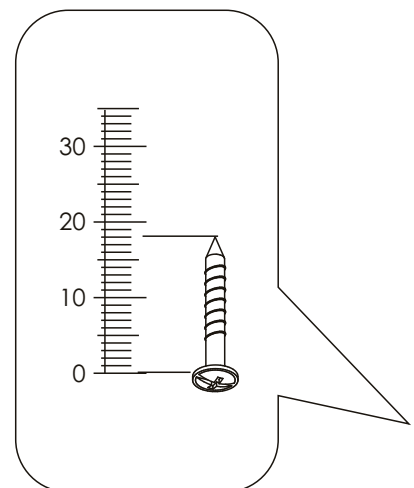
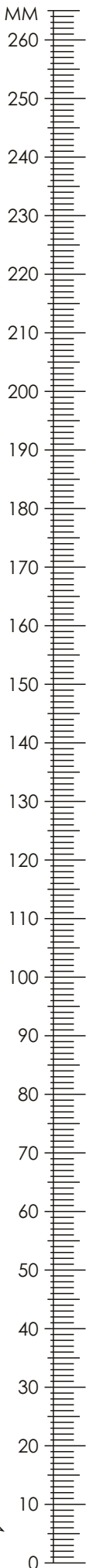


LINE 4L 800 - KOMMODE




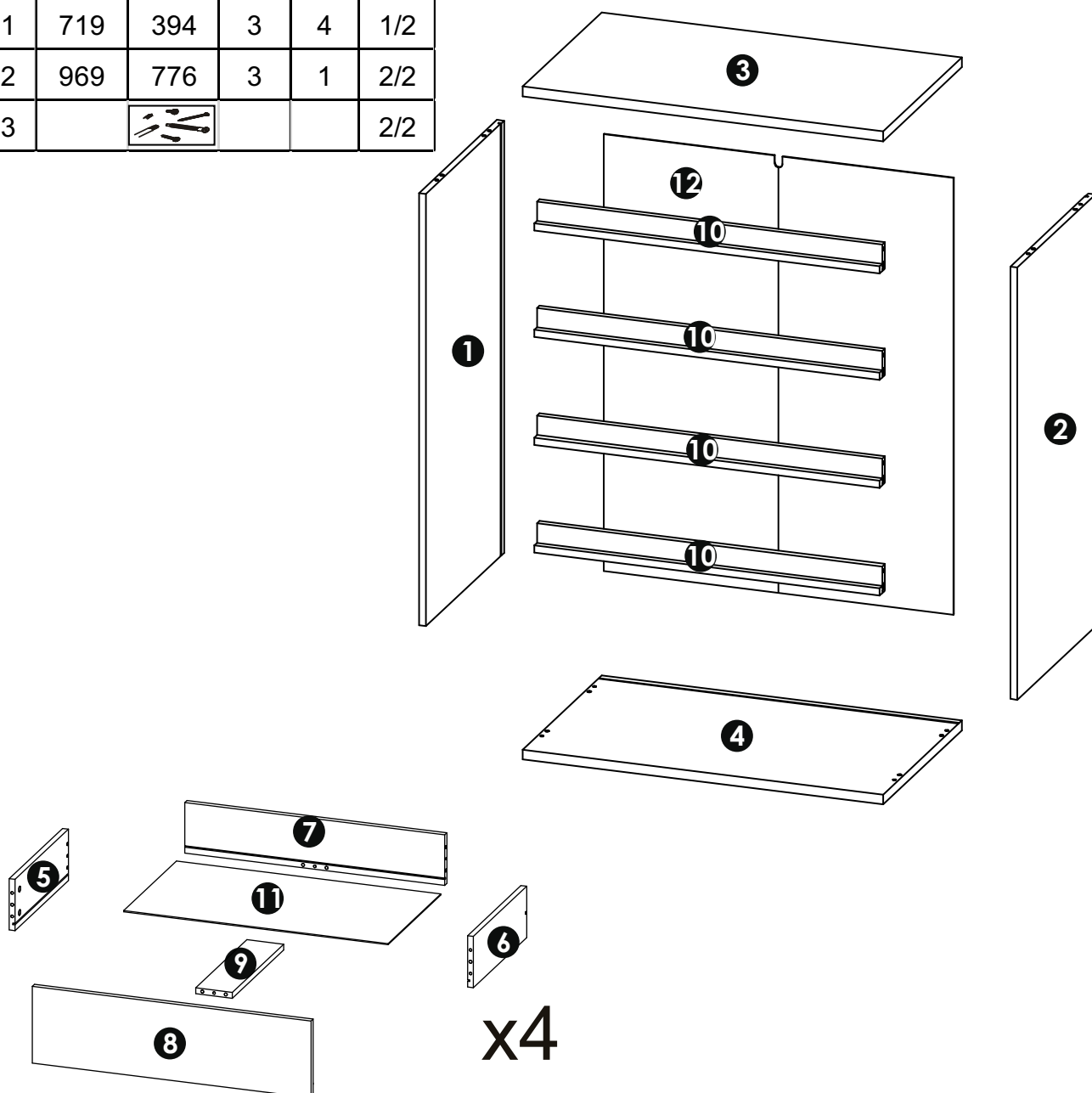
LINE 4L 800 - KOMMODE

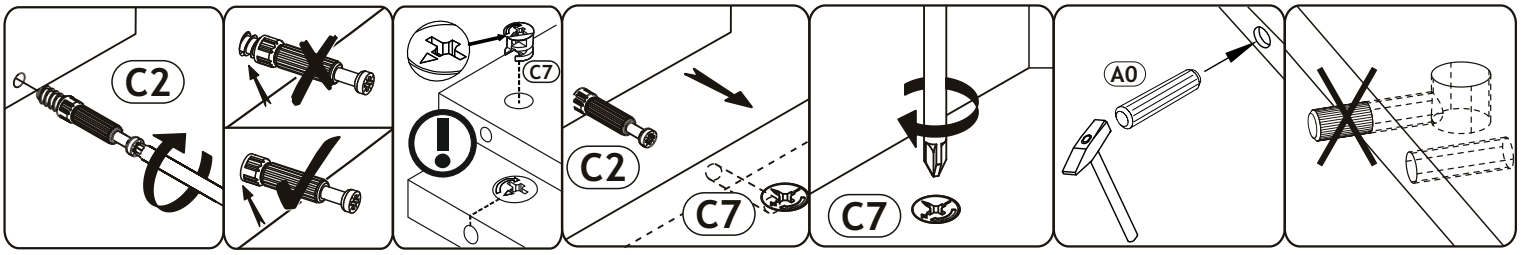
A0 8 x 30mm x56 	B1 f 7 x 50 mm x12 	C0 x16 
B2 f 7 x 70 mm x4 	C2 x32 	C7 x32 16mm 
D0 3 x 15 mm x34 	D21 5 x 13 mm x33 	D5 3,5 x 16 mm x24 
D14 4 x 35 mm x12 	K x1 4mm 	M1 x34 
N2 L-400 x4 	T2 x4 	U0 x8 
E0 x1 5 x 50 mm 8 x 50 mm 	P0 x1 	



LINE 4L 800 - KOMMODE

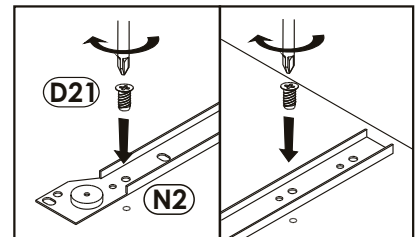
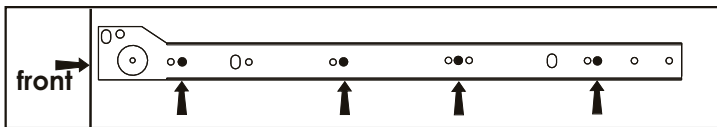
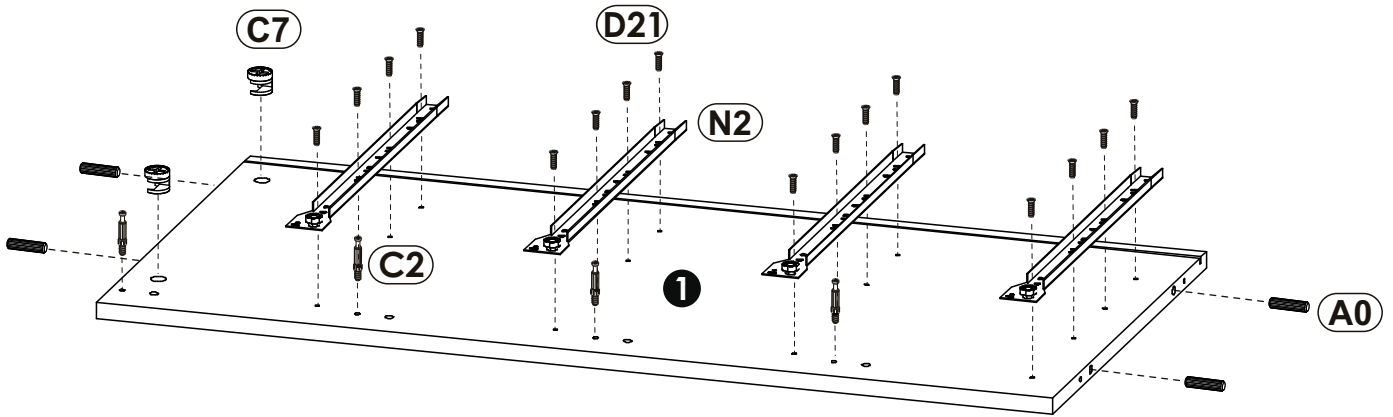
1	959	475	16	1	2/2
2	959	475	16	1	2/2
3	800	480	22	1	1/2
4	800	480	22	1	1/2
5	400	140	16	4	2/2
6	400	140	16	4	2/2
7	709	138	16	4	2/2
8	760	209	16	4	1/2
9	384	100	16	4	2/2
10	766	59	32	4	2/2
11	719	394	3	4	1/2
12	969	776	3	1	2/2
13					2/2





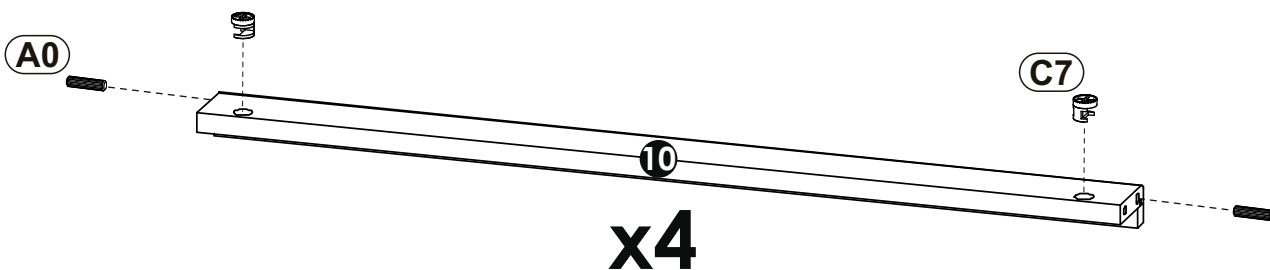
1 ▶

A0	8 x 30mm	x4	C7	16mm	x2	C2	x4
D21	5 x 13 mm	x16	N2	L-400	x4		








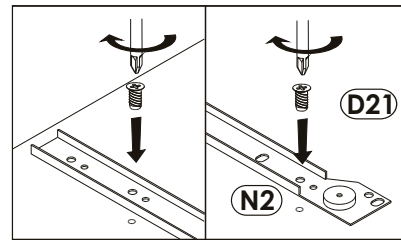
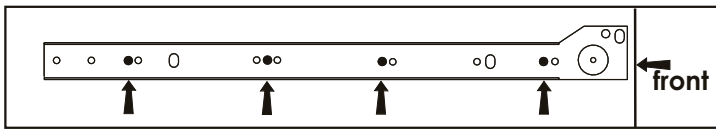
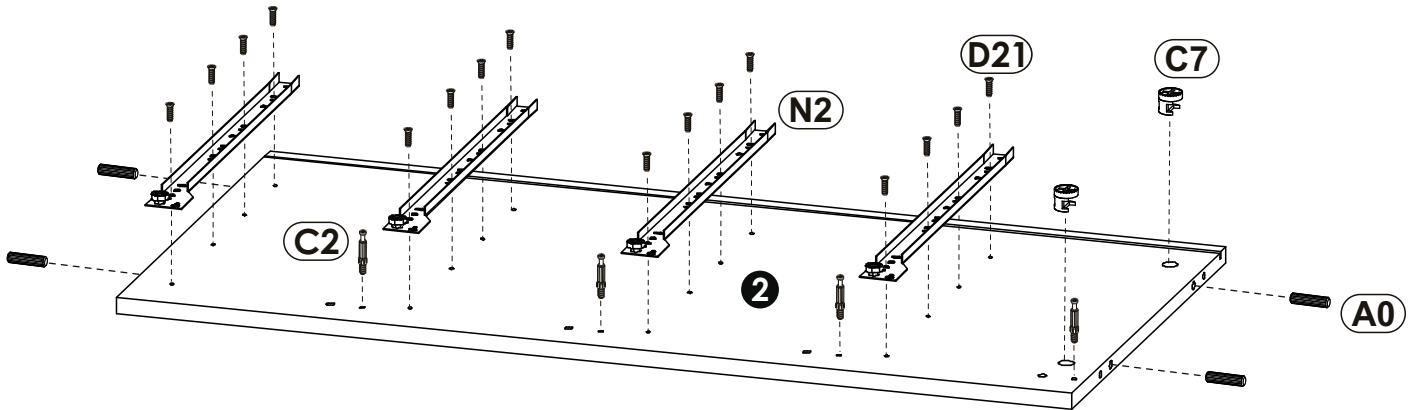
2 ▶

A0	8 x 30mm	x8	C7	16mm	x8
-----------	----------	-----------	-----------	------	-----------

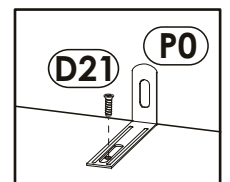
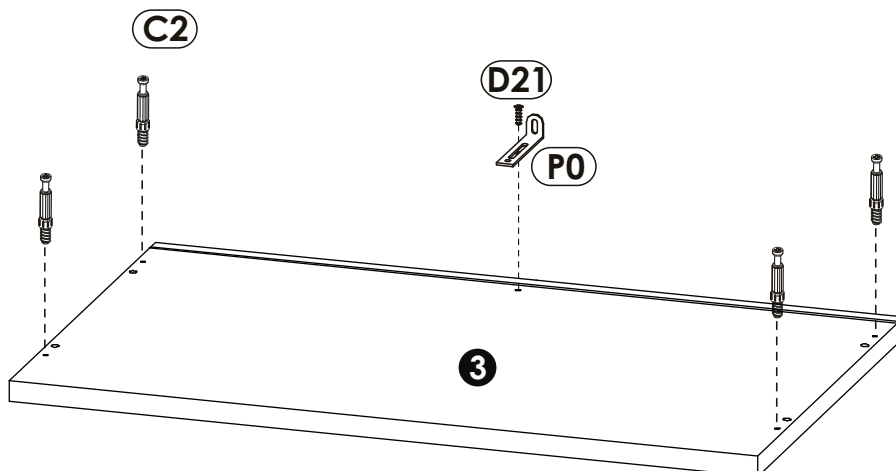


3 ▶



A0 8 x 30mm 	x4	C7 16mm 	x2	C2 	x4
D21 5 x 13 mm 	x16	N2 L-400 	x4		

**4** ▶

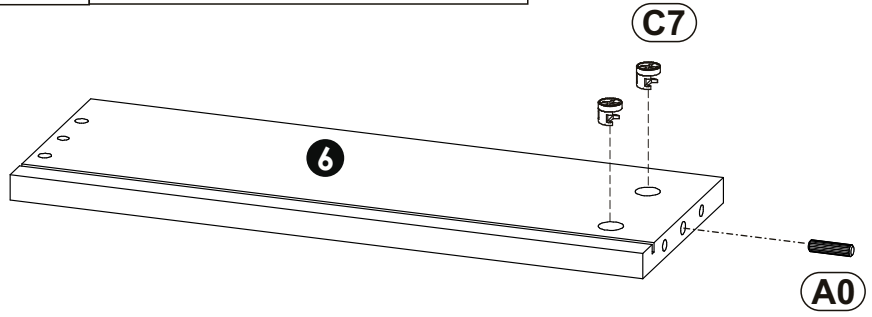
C2 	x4	D21 5 x 13 mm 	x1	P0 	x1
--	-----------	--	-----------	--	-----------



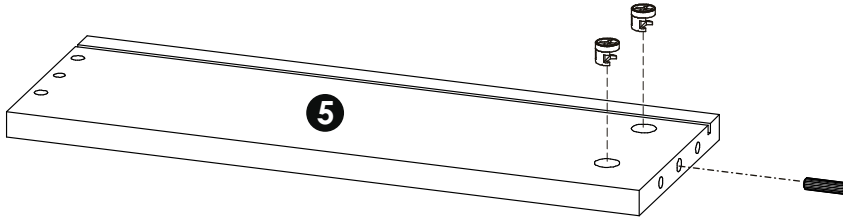
5▶

(A0)	8 x 30mm	x8	(C7)	x16
			16mm 	

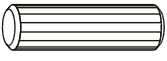
x4



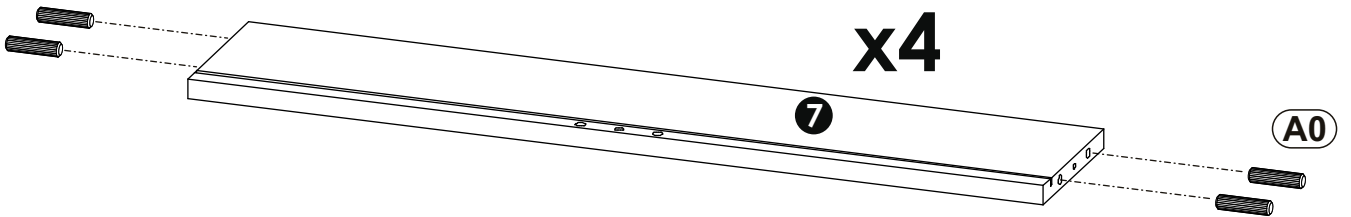
x4





6▶

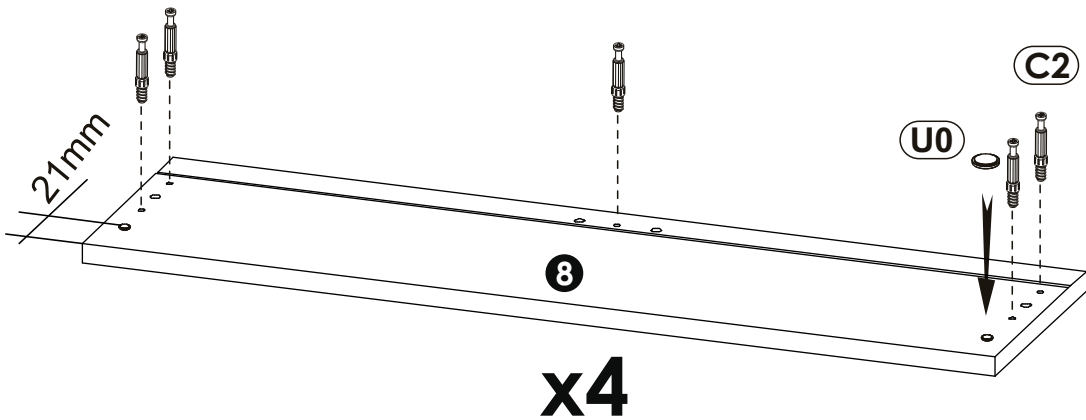
(A0)	8 x 30mm	x16
		

x4

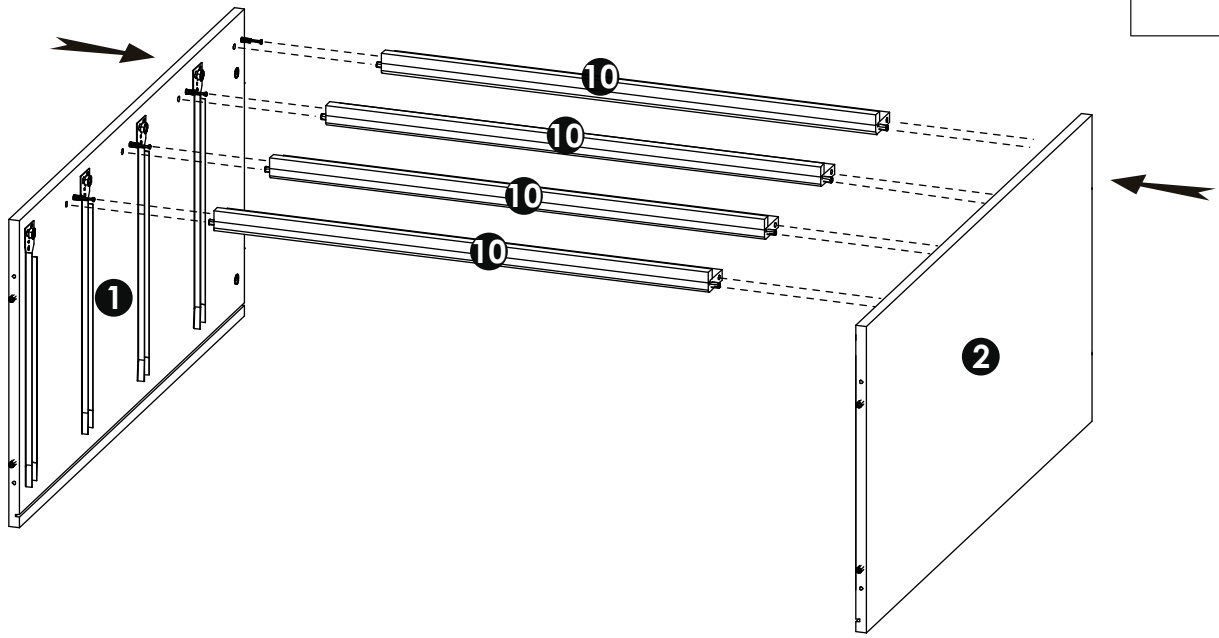
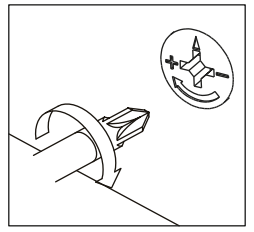


7▶

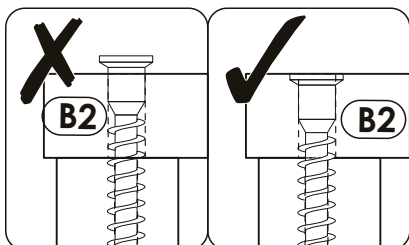
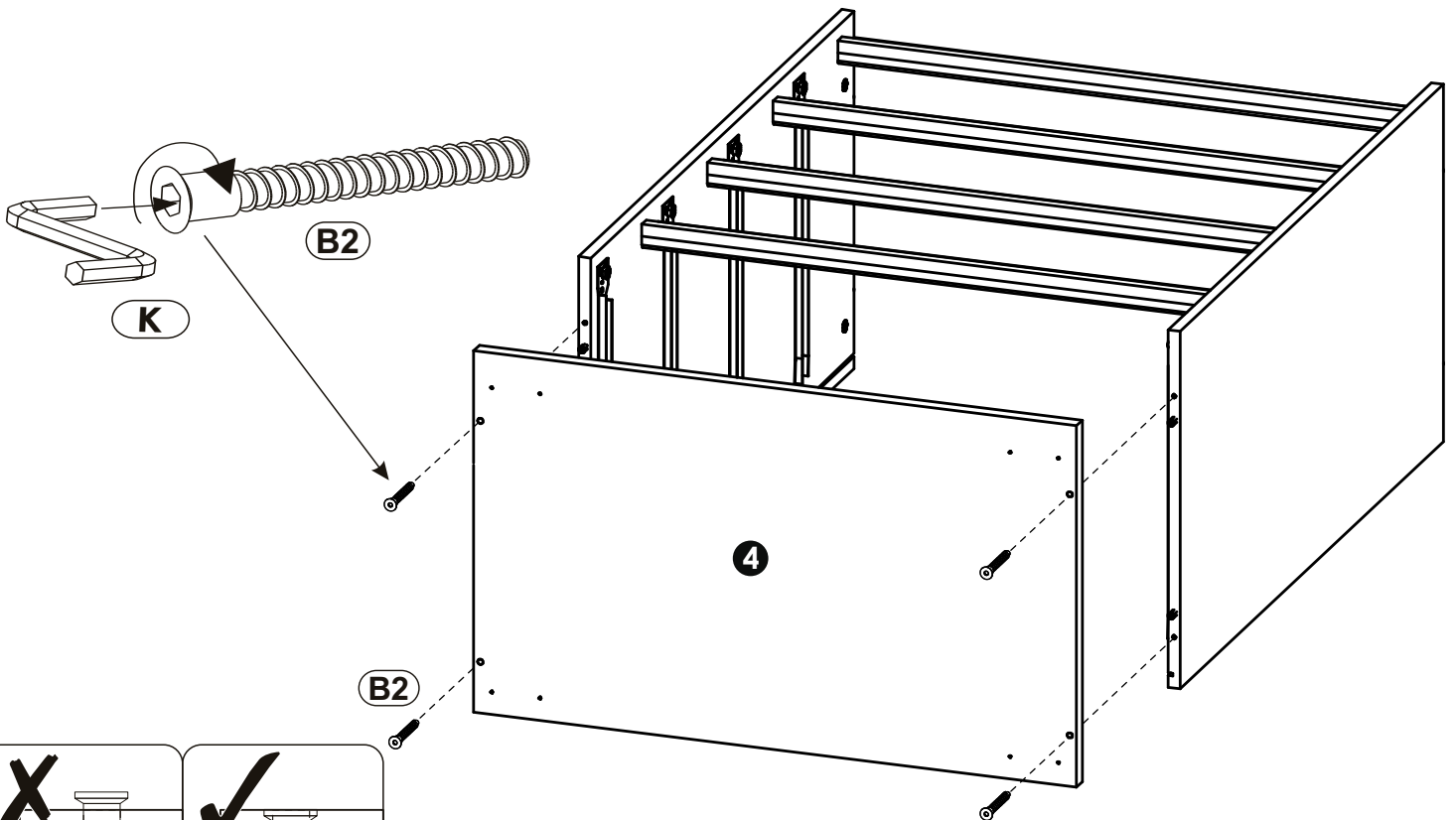
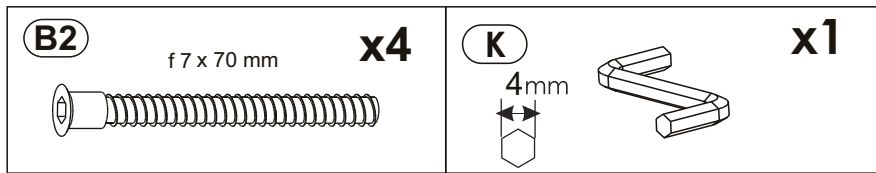
(C2)	x20	(U0)	x8
			



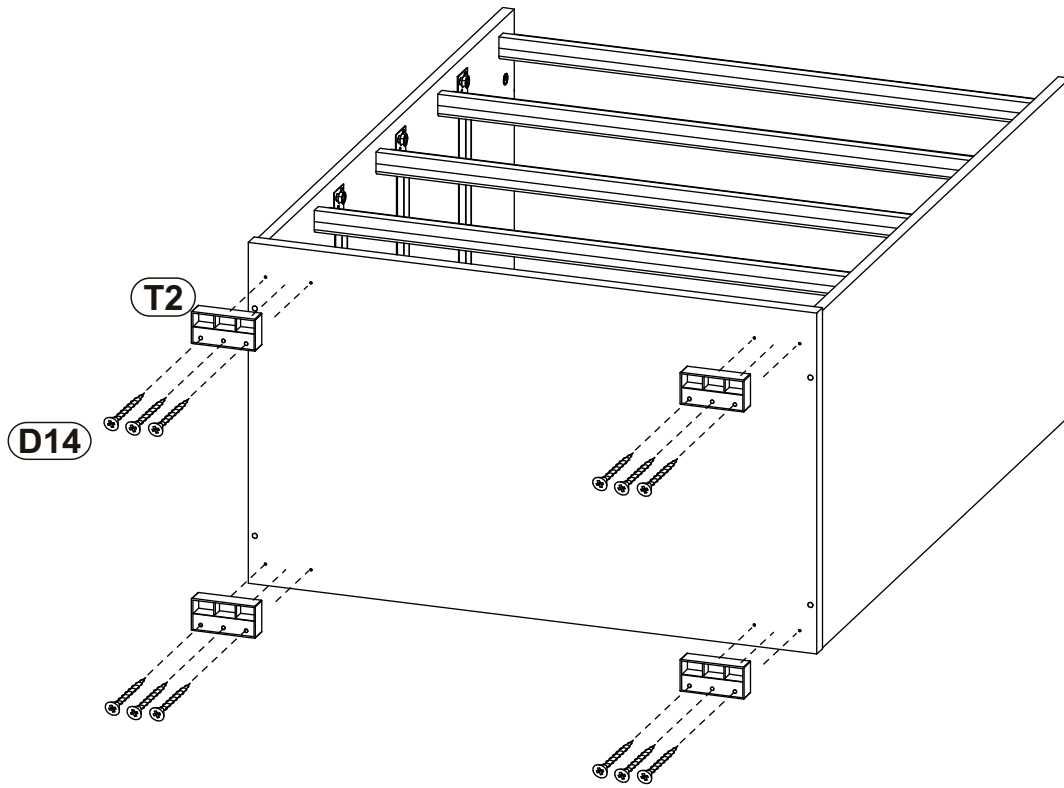
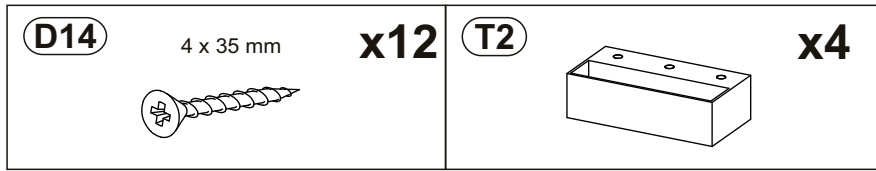
8 ▶



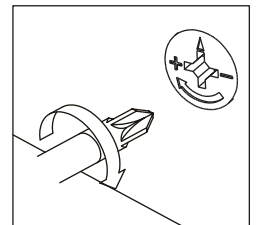
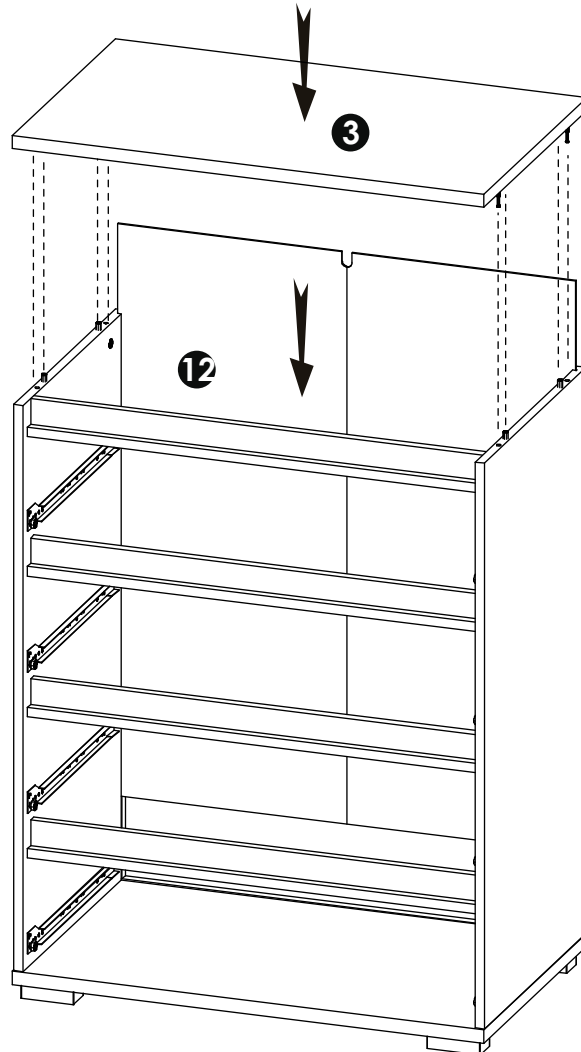
9 ▶




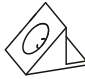
10 ▶

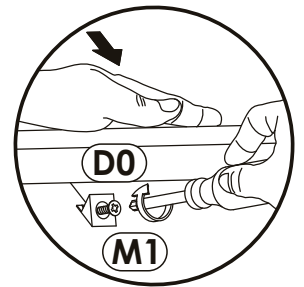
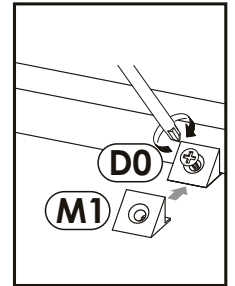
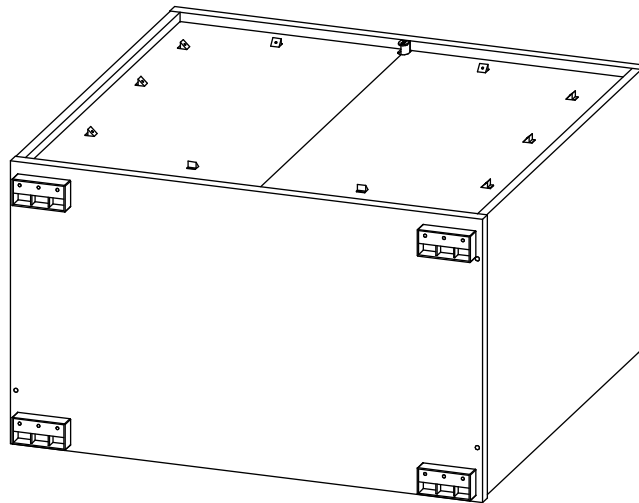
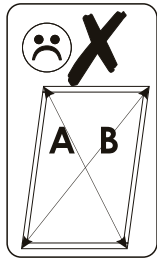
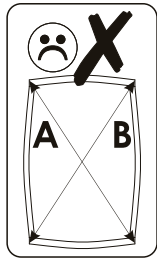
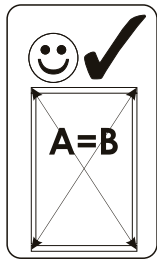


11 ▶

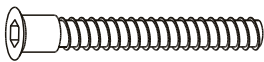
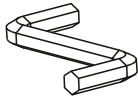


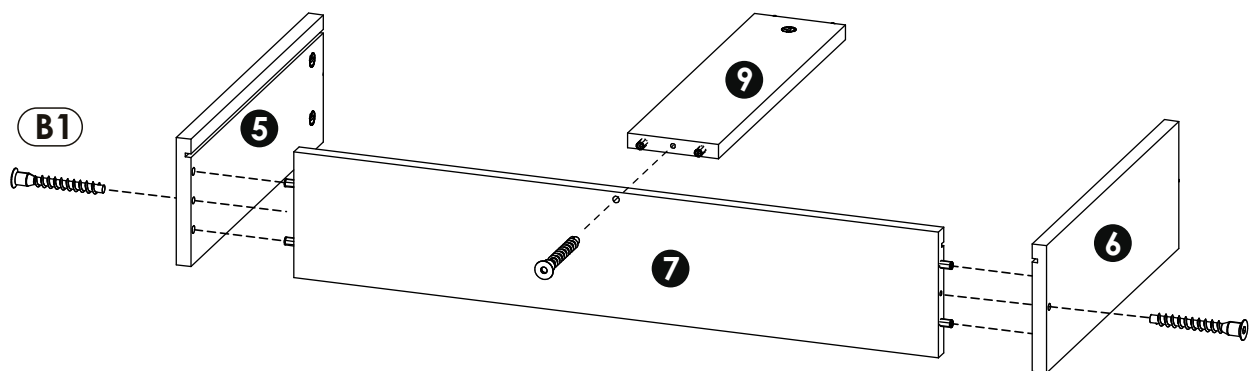
12▶

<p>(D0) 3 x 15 mm x10</p> 	<p>(M1) x10</p> 
---	---

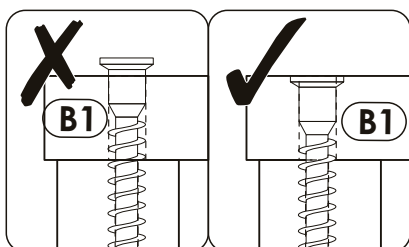


13▶

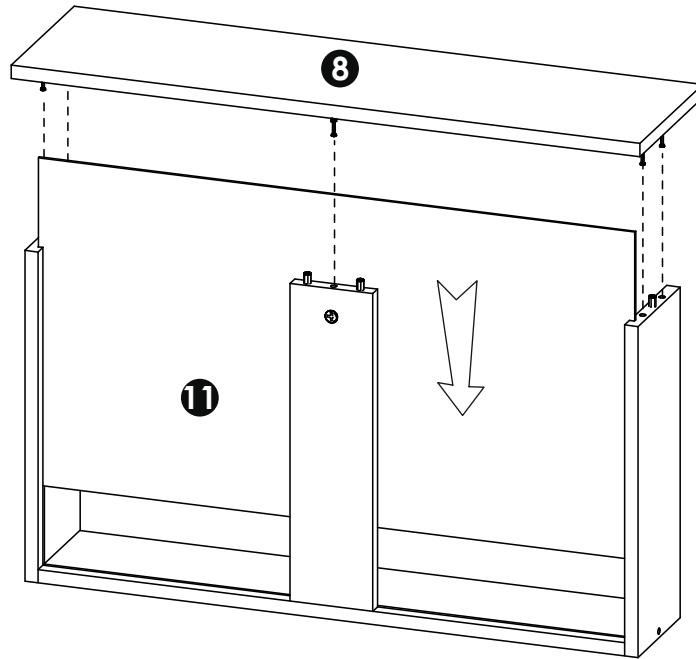
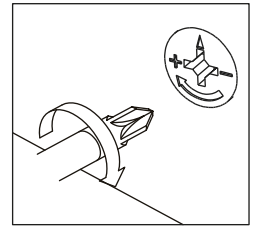
<p>(B1) f 7 x 50 mm x12</p> 	<p>(K) 4mm x1</p> 
---	---



x4

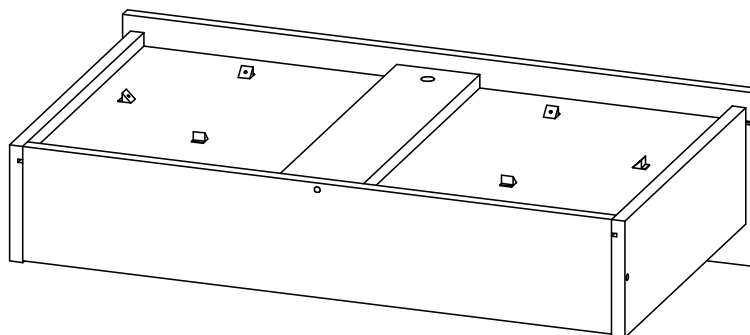
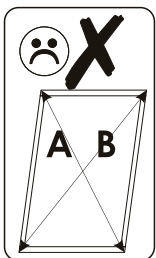
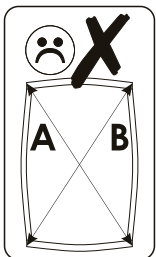
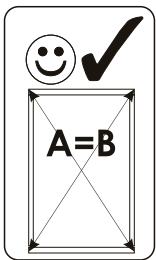
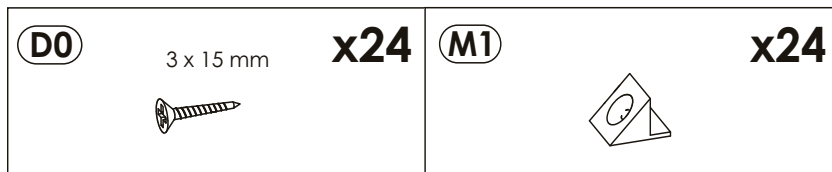


14▶

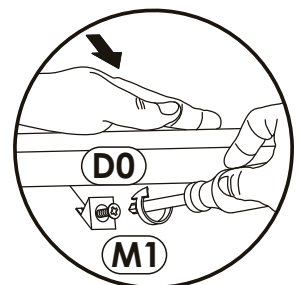
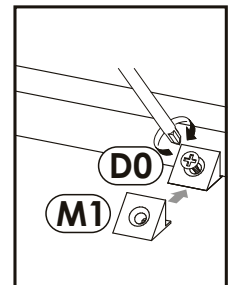


x4

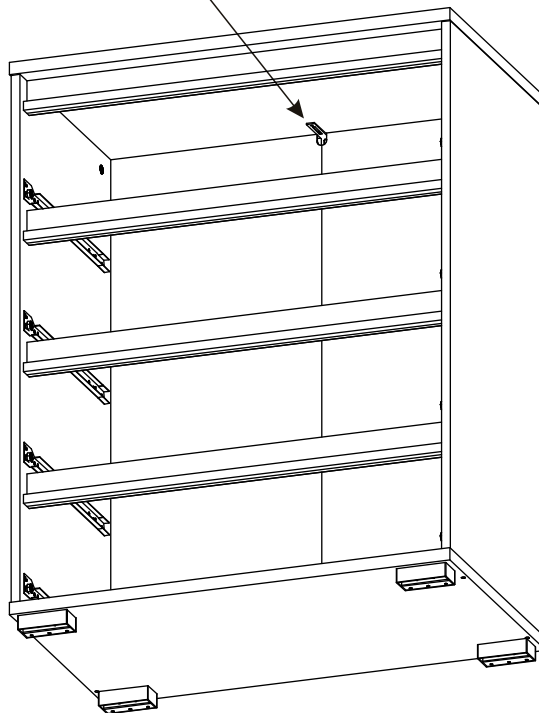
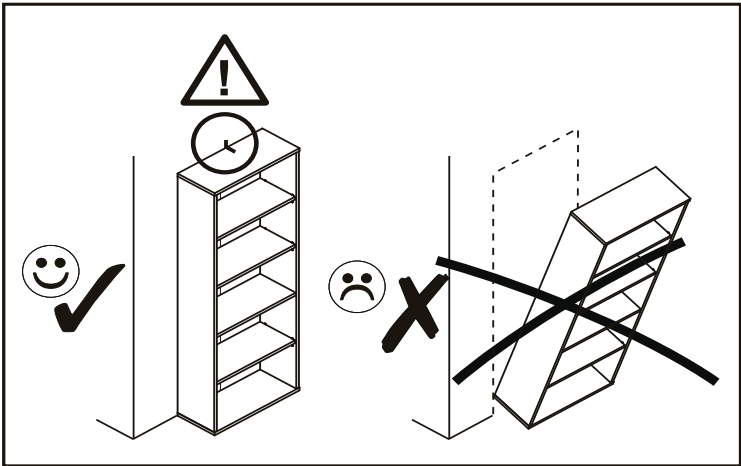
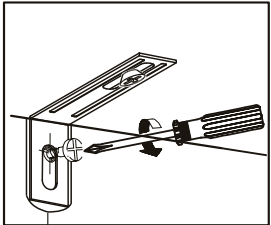
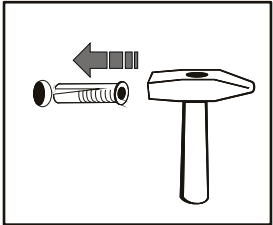
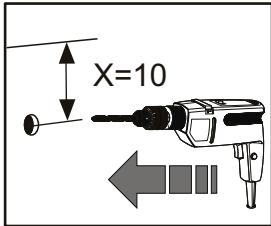
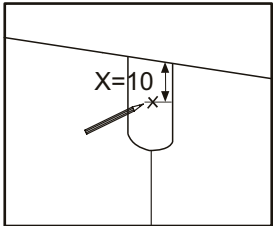
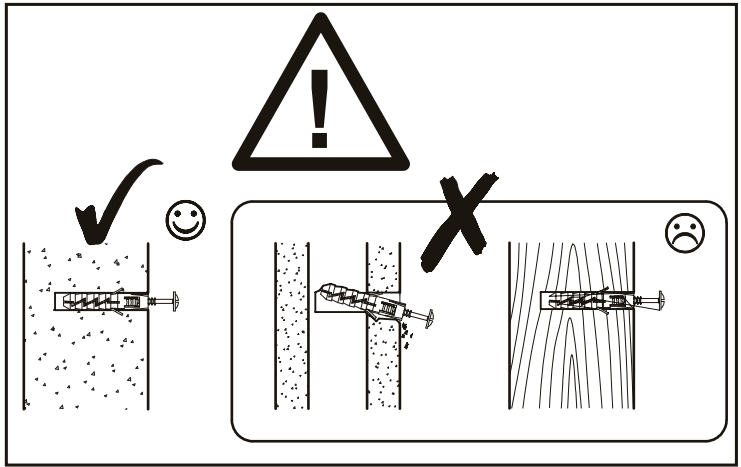
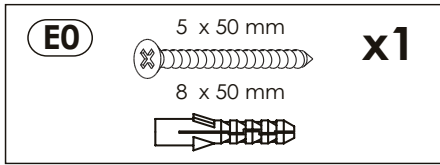
15▶



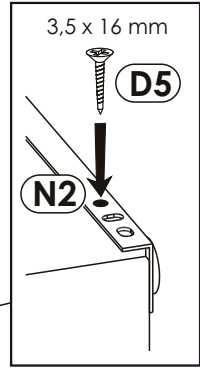
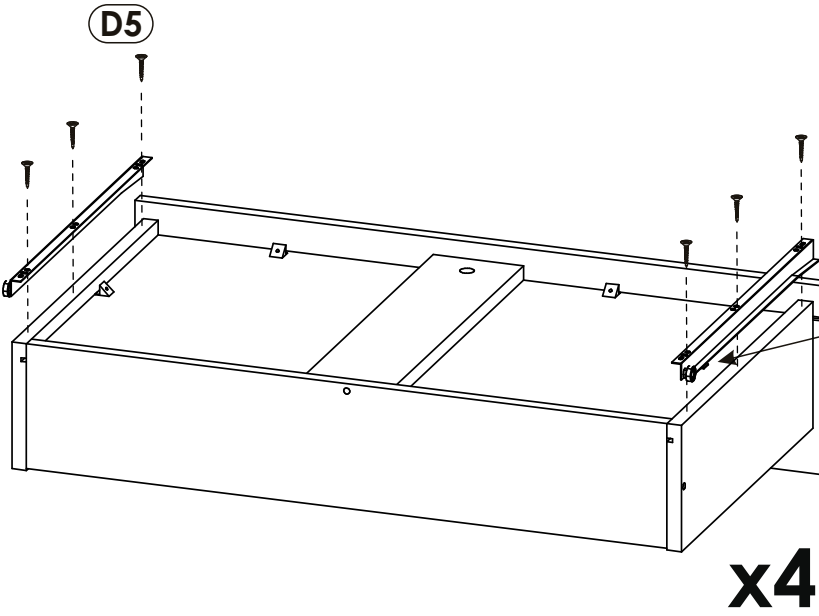
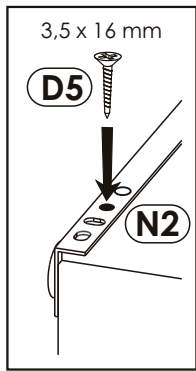
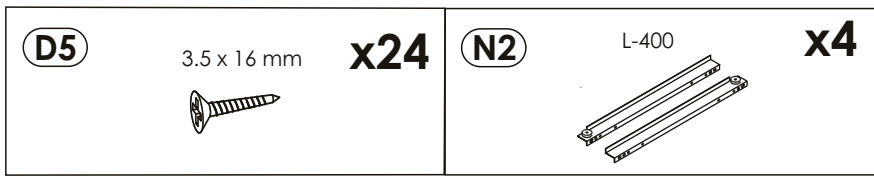
x4



16▶



17▶



18▶

