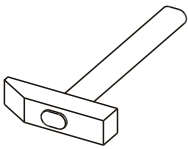
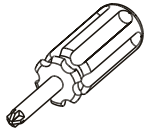
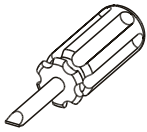
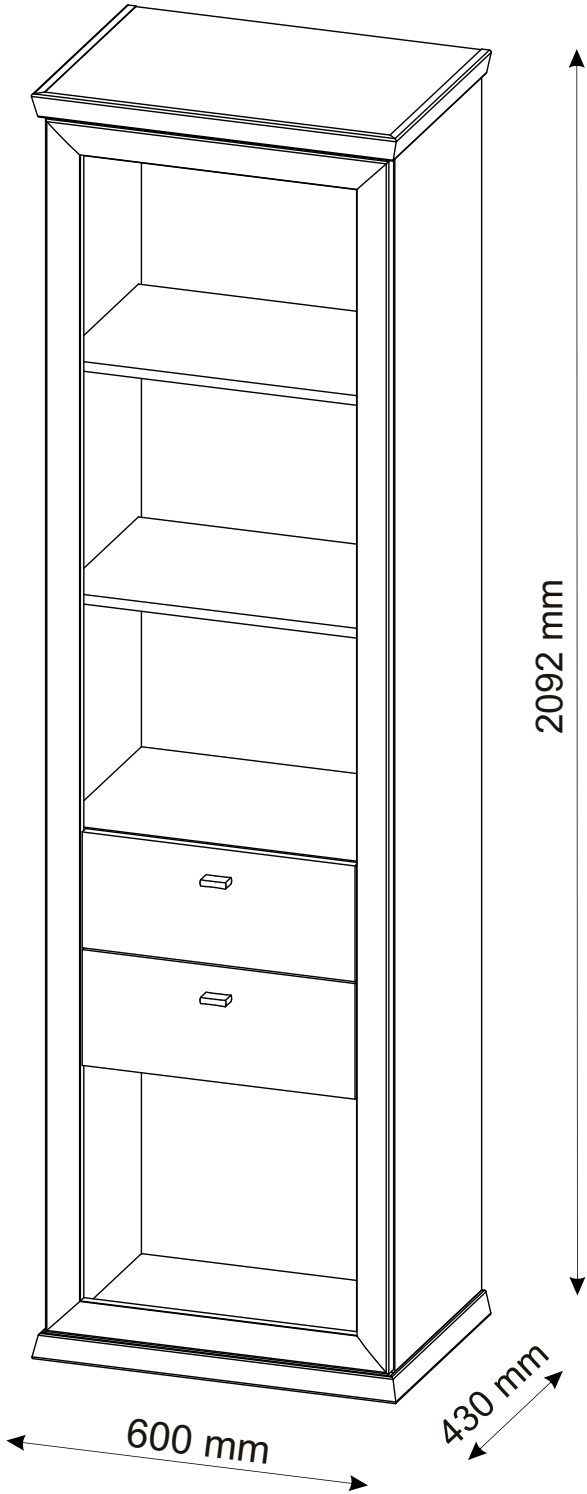
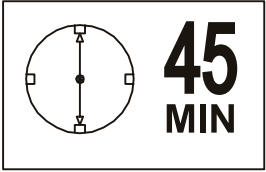
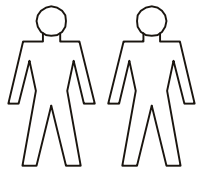
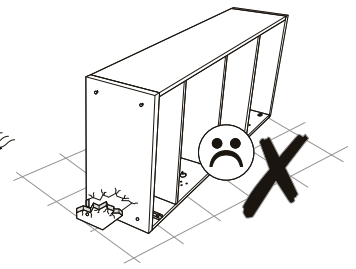
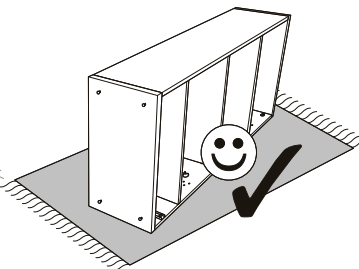
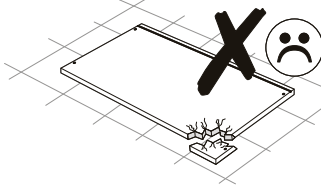
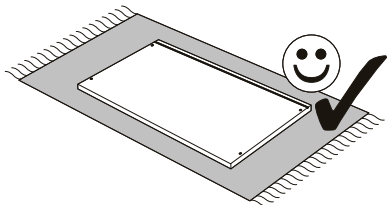


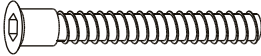






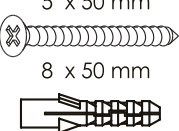

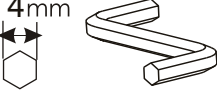


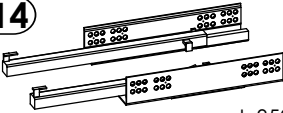
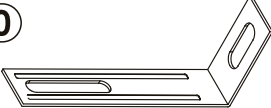
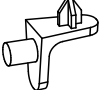

BENTON - REGAL

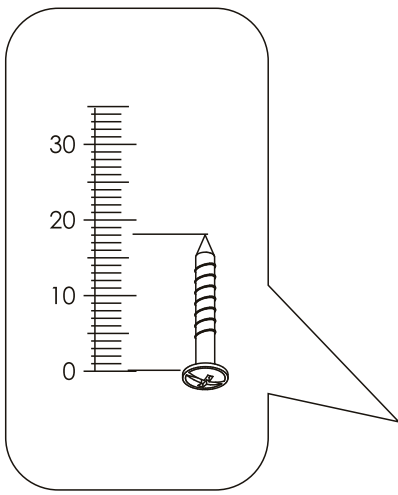
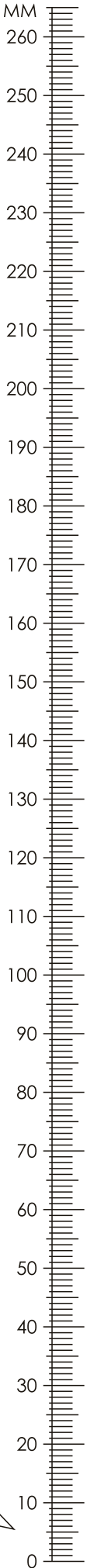


Ø8

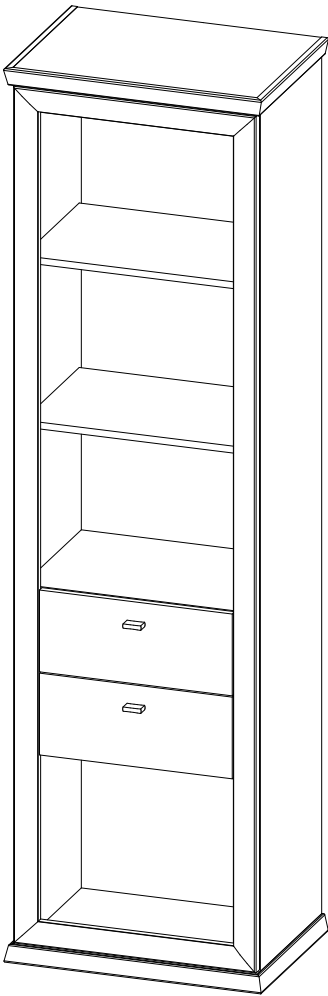


BENTON - REGAL


B1 f 7 x 50 mm  x8	B3 d8  x2	C0  x22
C2  x32	D0 3 x 15 mm  x26	D21 5 x 13 mm  x1
D31 6.3 x 13 mm  x16	E0 5 x 50 mm 8 x 50 mm  x1	H2 4 x 22 mm  x4
K 4mm  x1	L6  x2	M1  x26
N14  L-350mm x2	P0  x1	Q3  x8
U2  x4		

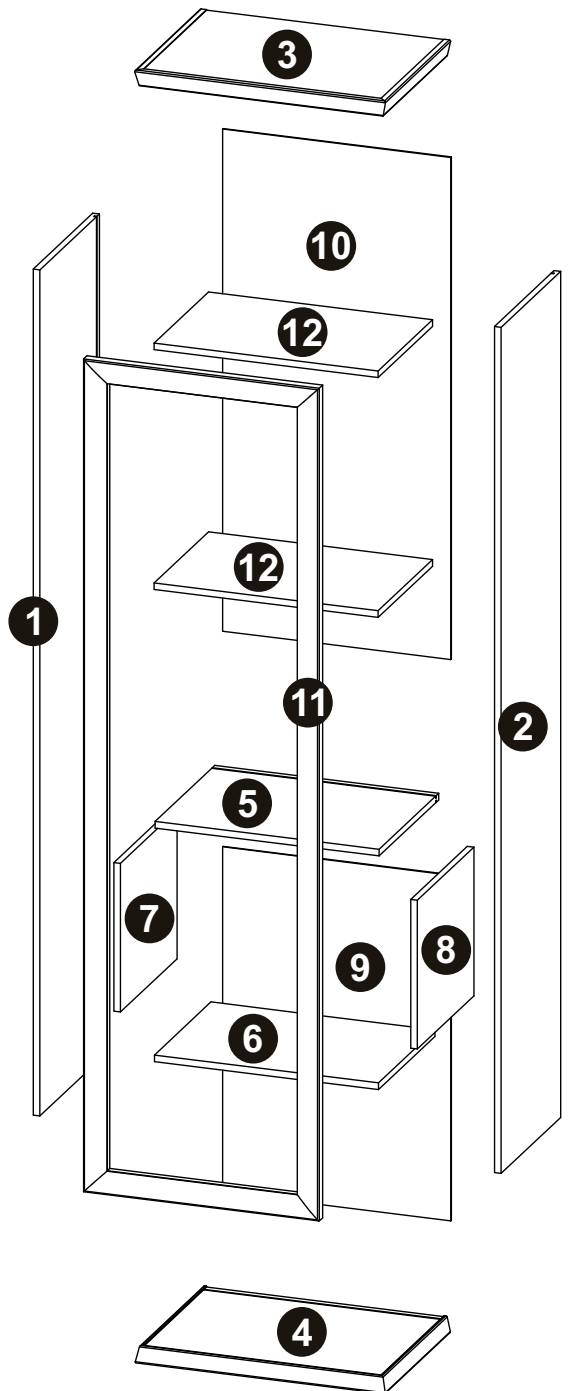
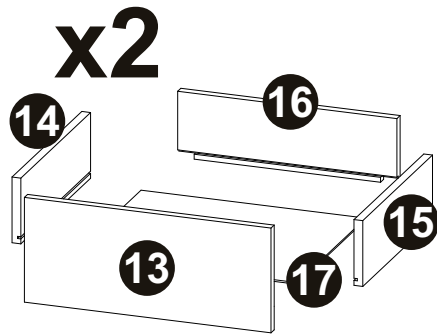


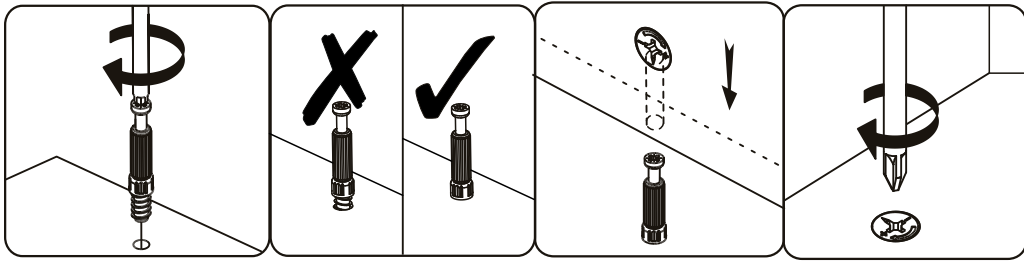
BENTON - REGAL



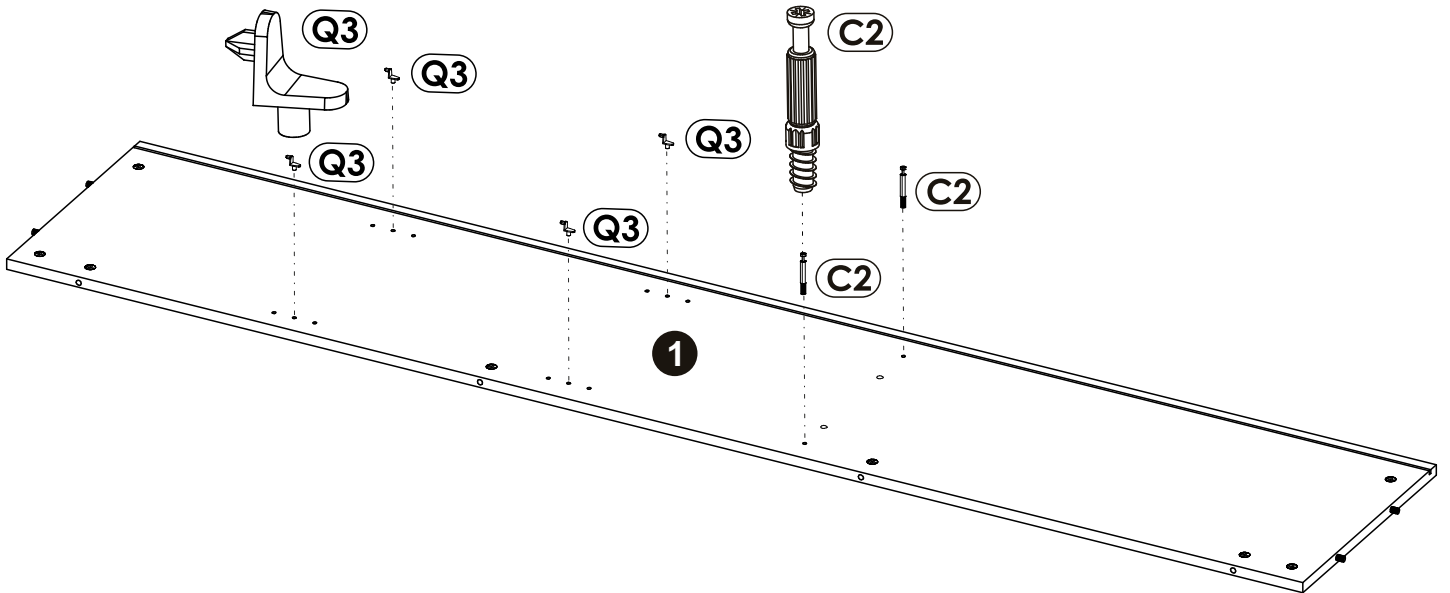
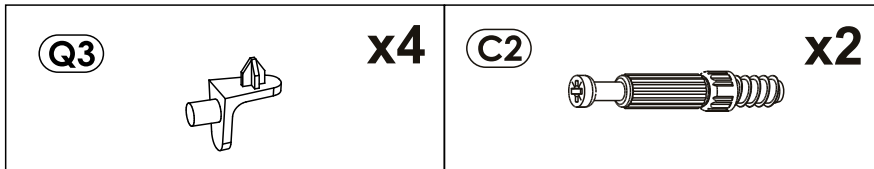
1	2032	393	16	x1	1/4
2	2032	393	16	x1	1/4
3	602	430	40	x1	3/4
4	602	430	40	x1	3/4
5	538	393	16	x2	2/4
6	538	373	16	x1	1/4
7	357	373	16	x1	2/4
8	357	373	16	x1	2/4
9	548	830	2.8	x1	4/4

10	548	1206	2.8	x1	4/4
11	2000	566	25	x1	4/4
12	538	359	16	x2	1/4
13	450	191	16	x2	2/4
14	350	120	16	x2	2/4
15	350	120	16	x2	2/4
16	400	118	16	x2	2/4
17	410	344	2.8	x2	2/4
					2/4

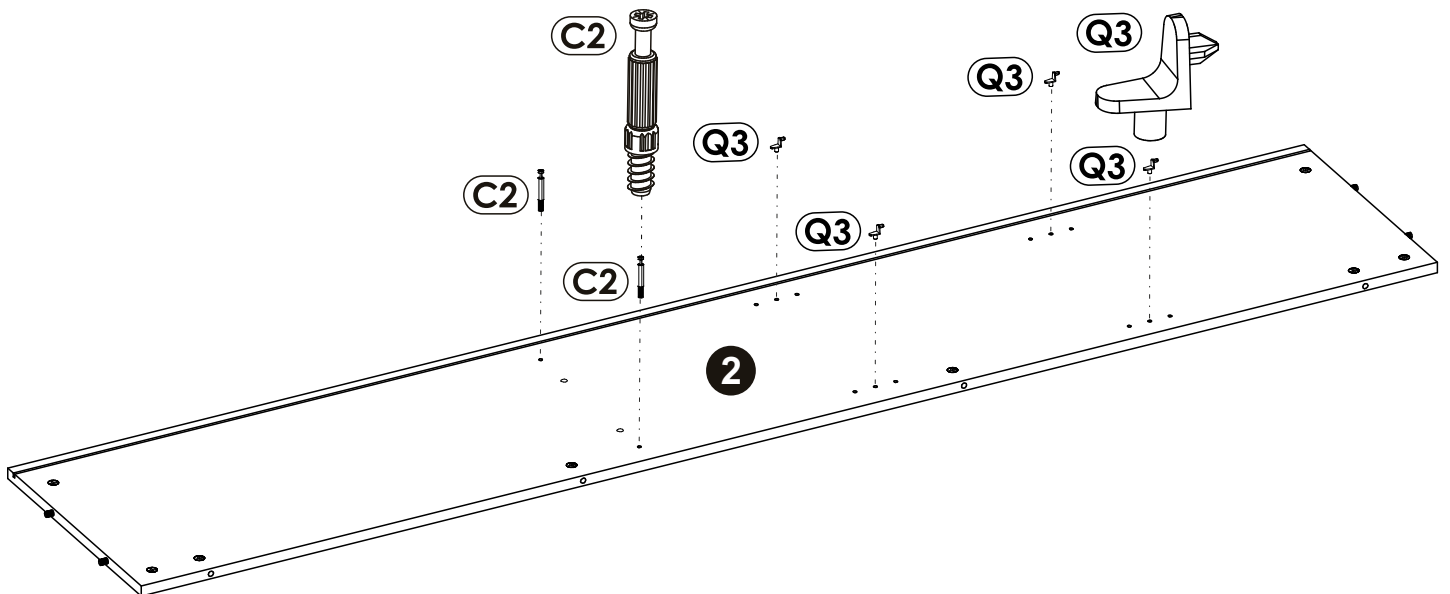
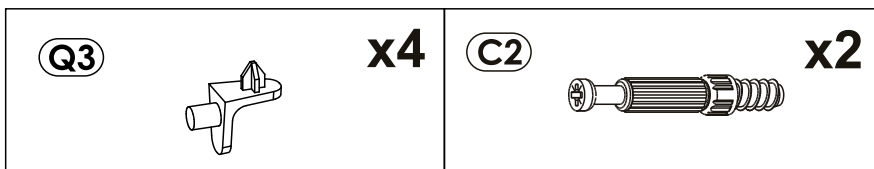


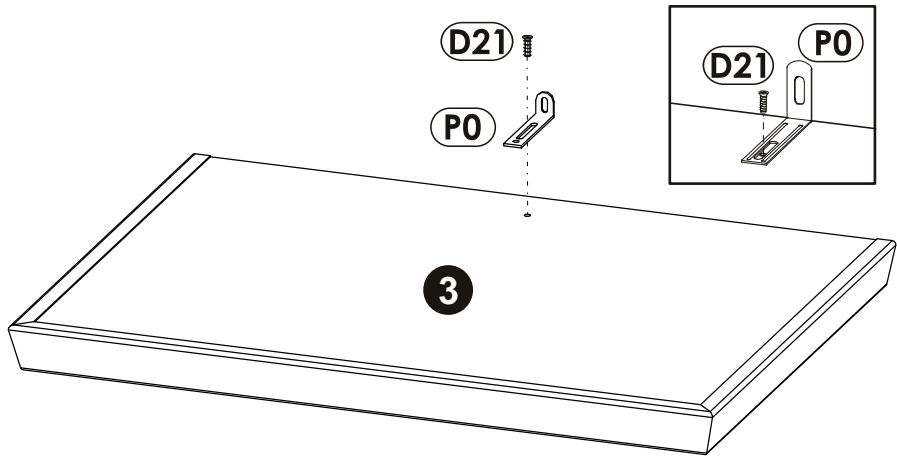
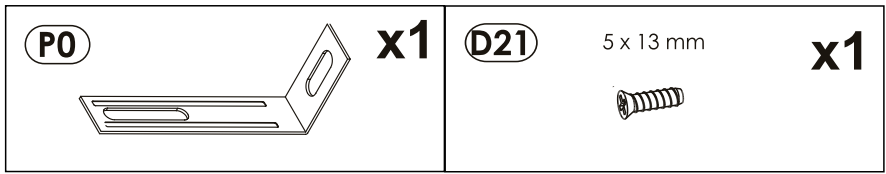


1▷

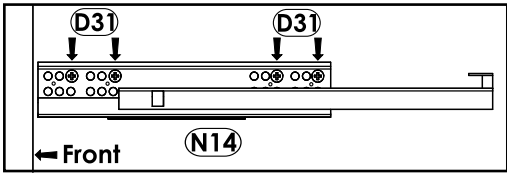
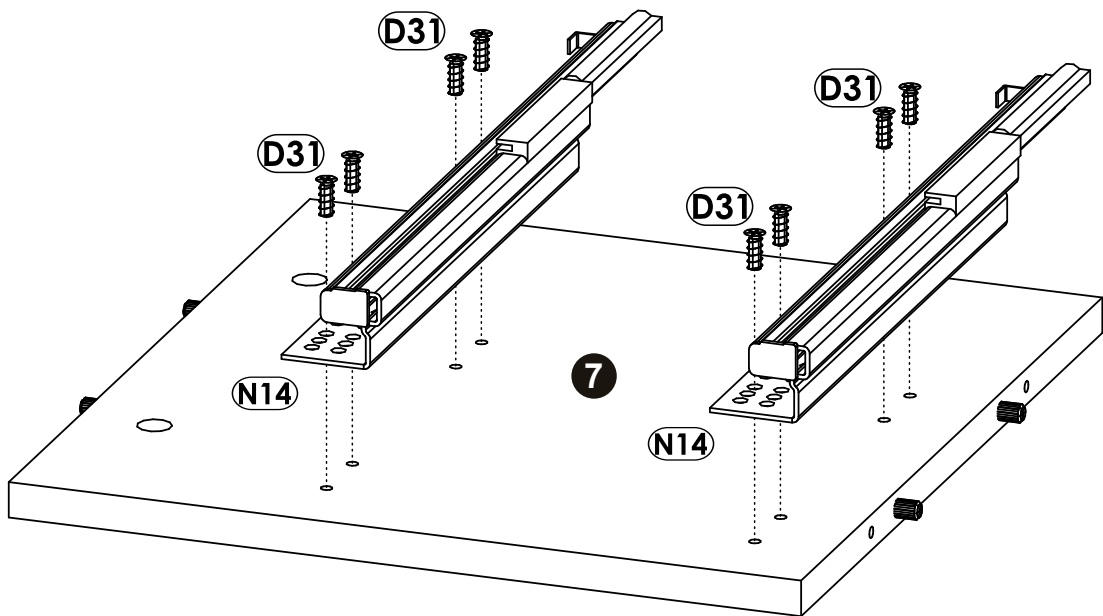
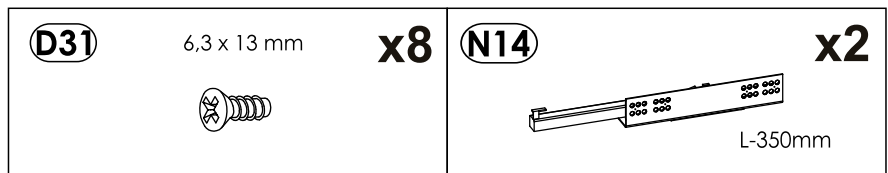


2▷


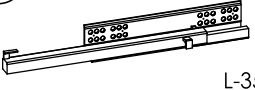


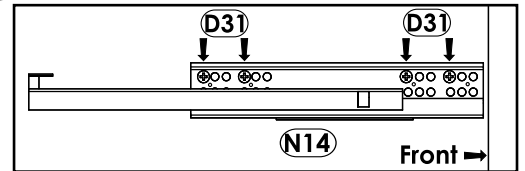
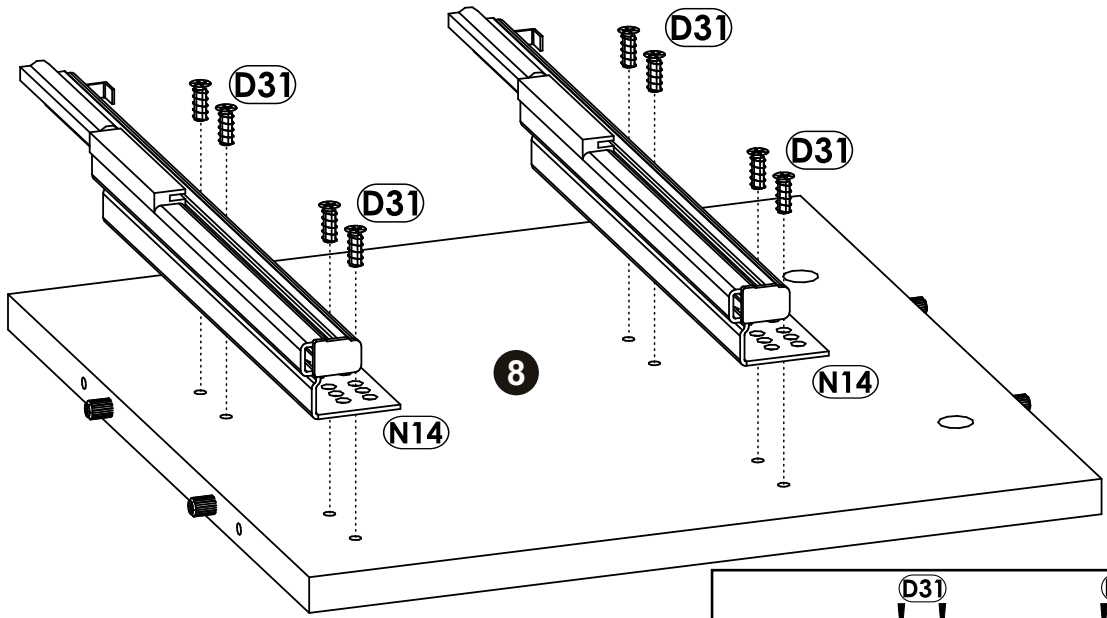


5▷




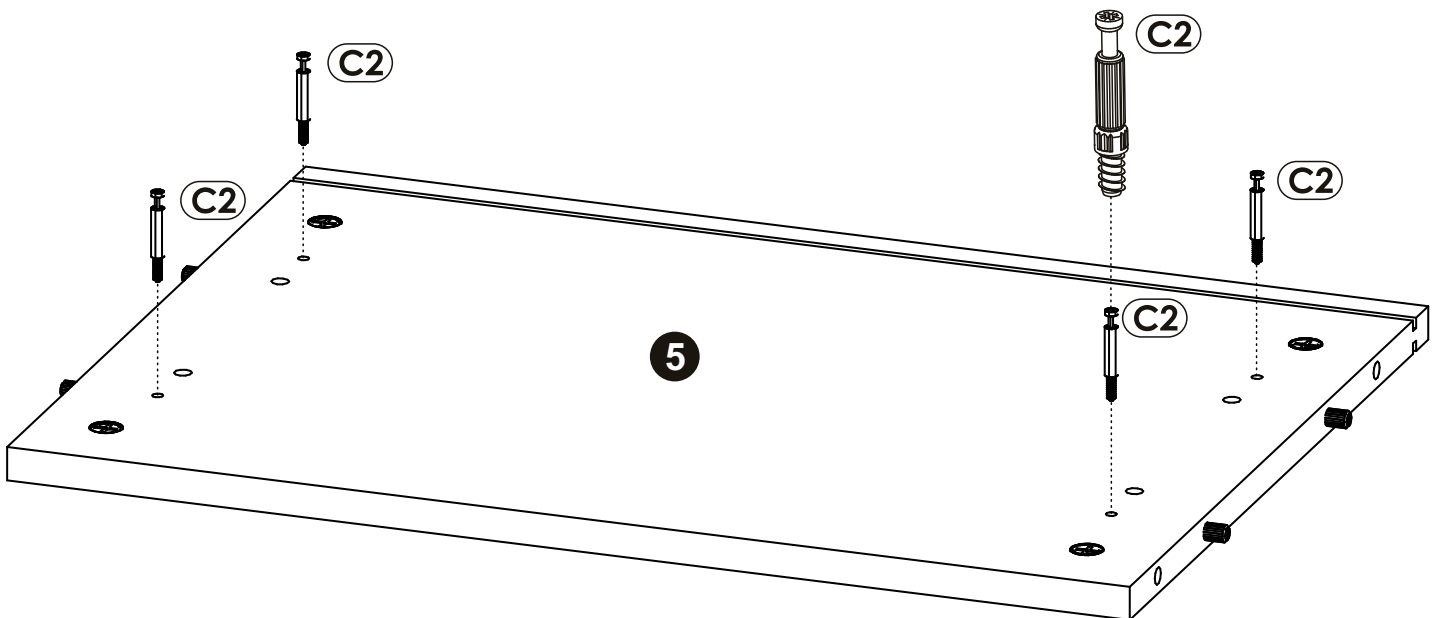
6▷

D31 6,3 x 13 mm 	x8	N14  L-350mm	x2
--	-----------	---	-----------

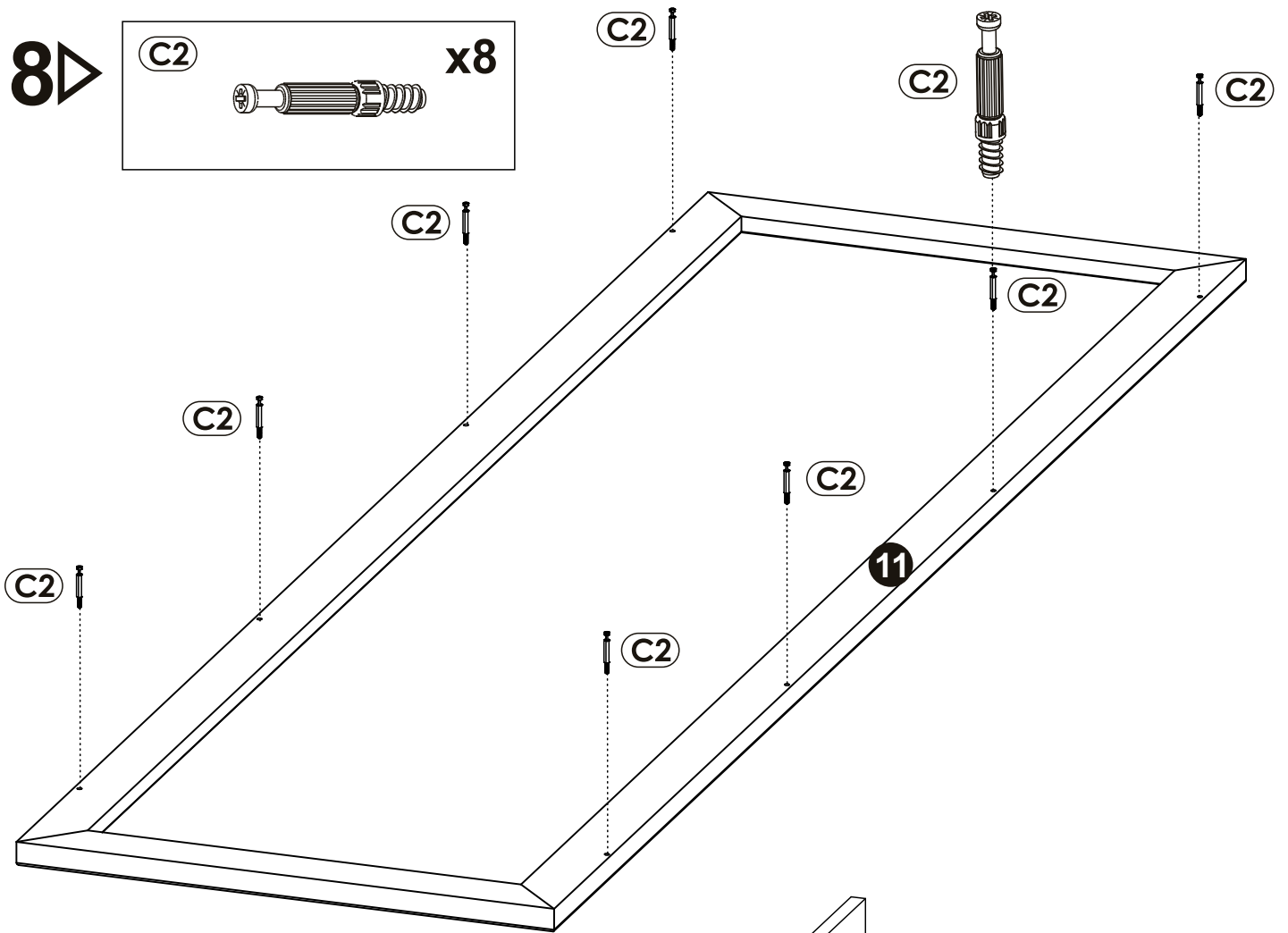
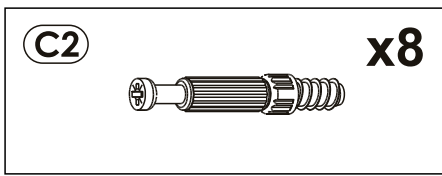


7▷

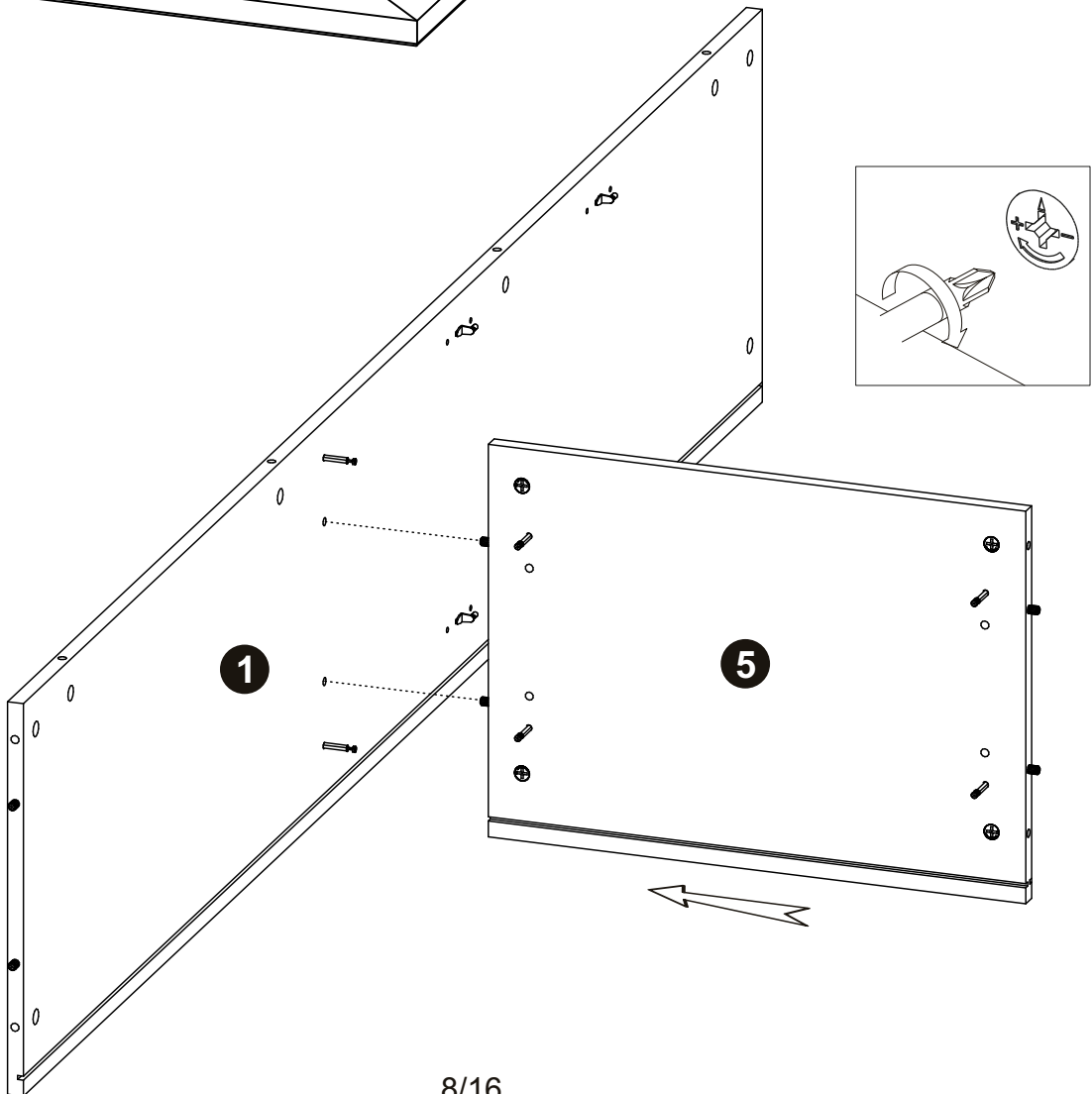
C2 	x4
--	-----------



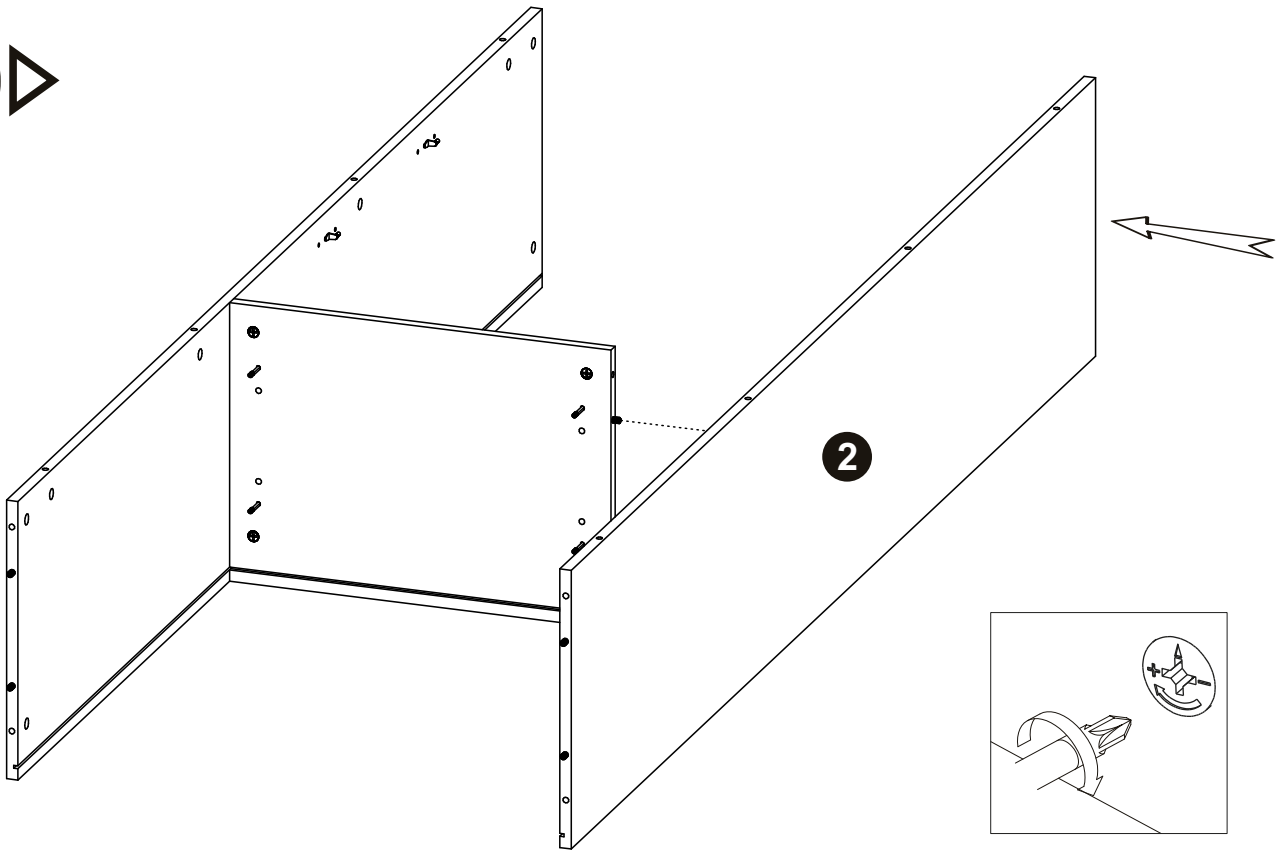
8▷



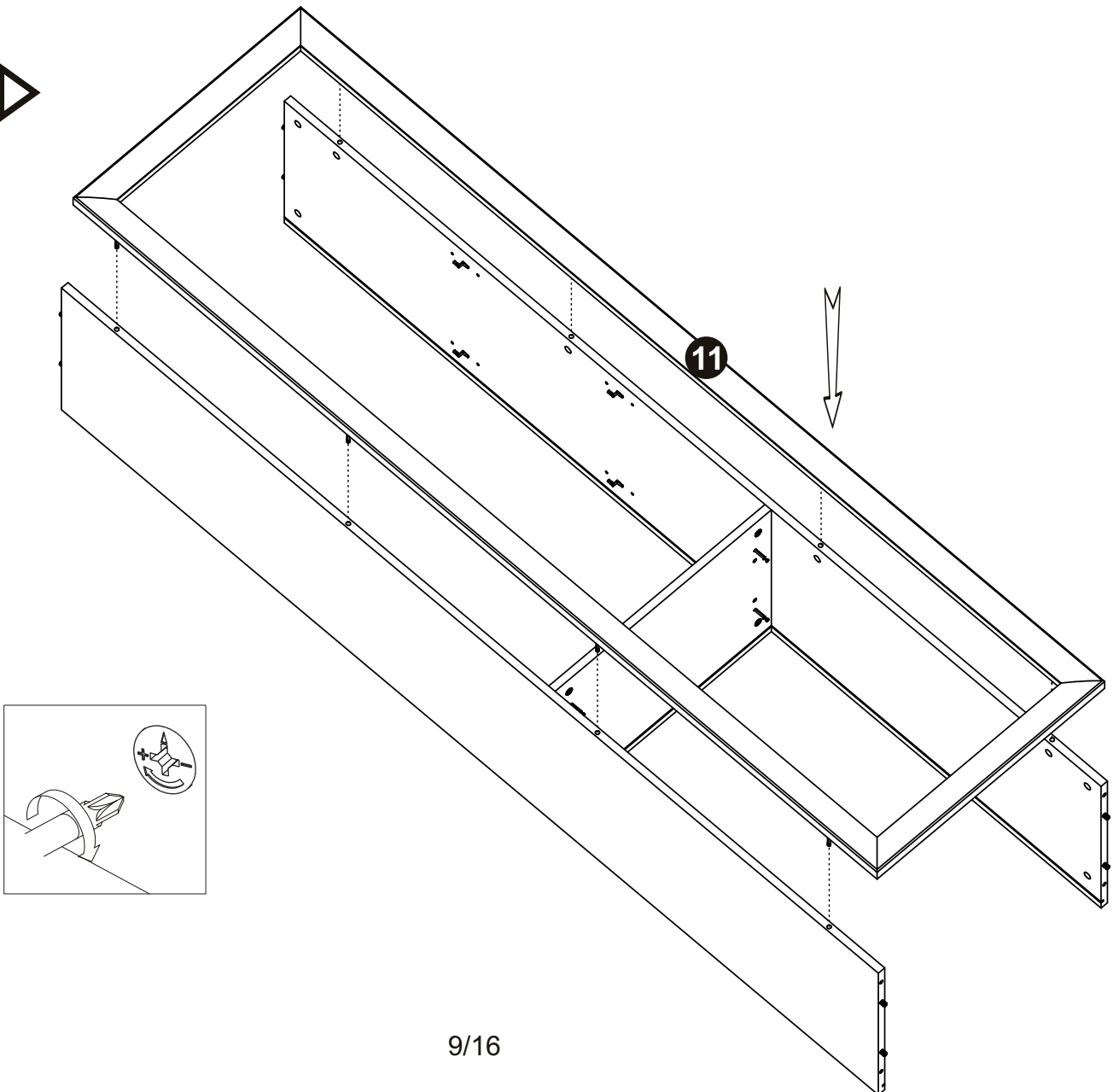
9▷



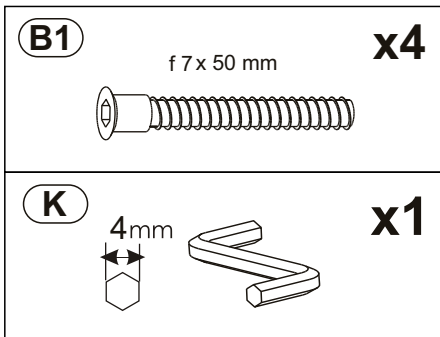
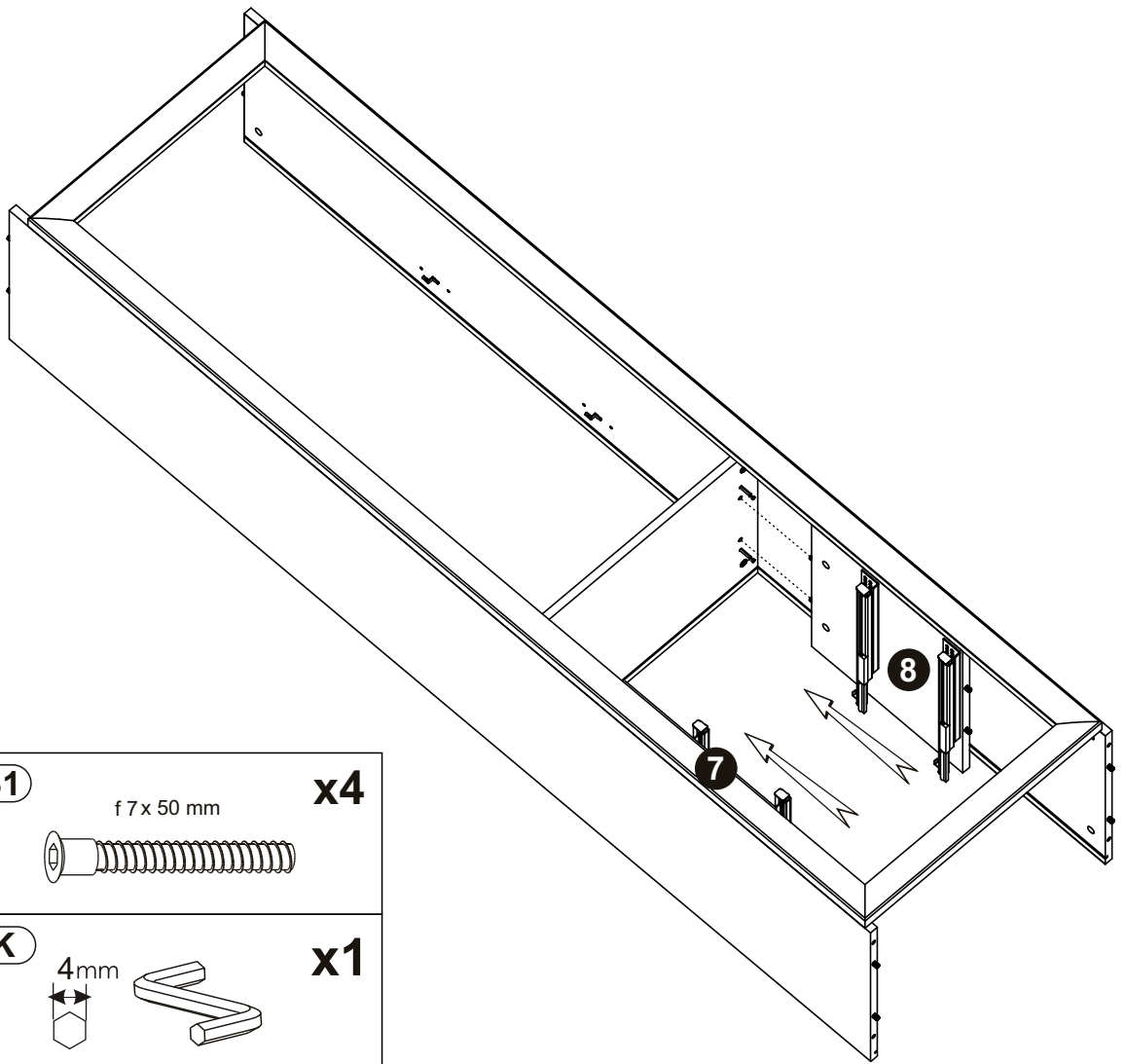
10▷



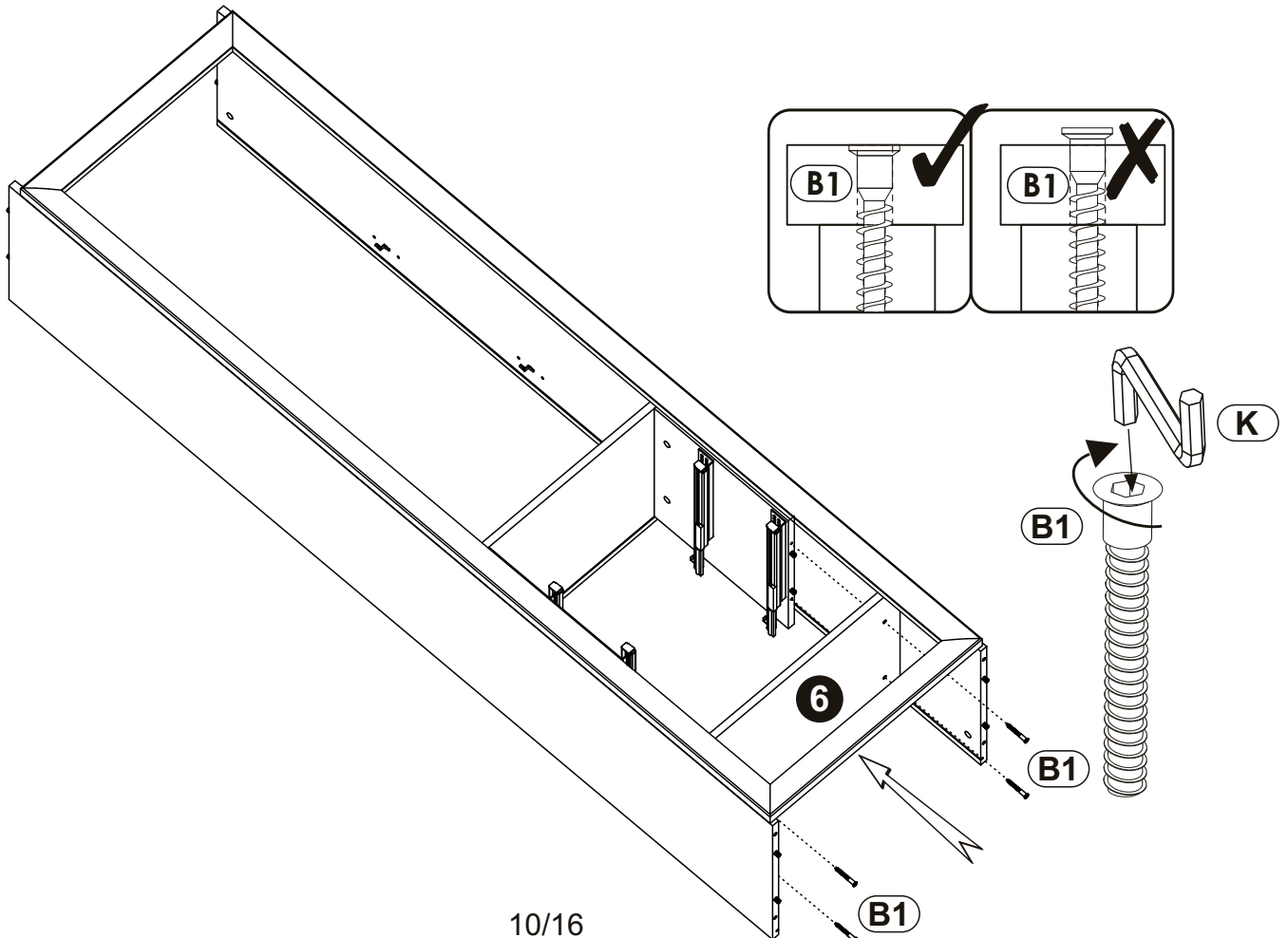
11▷



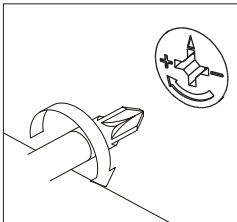
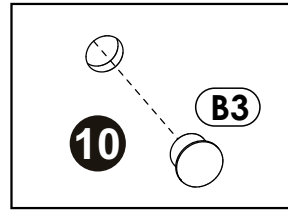
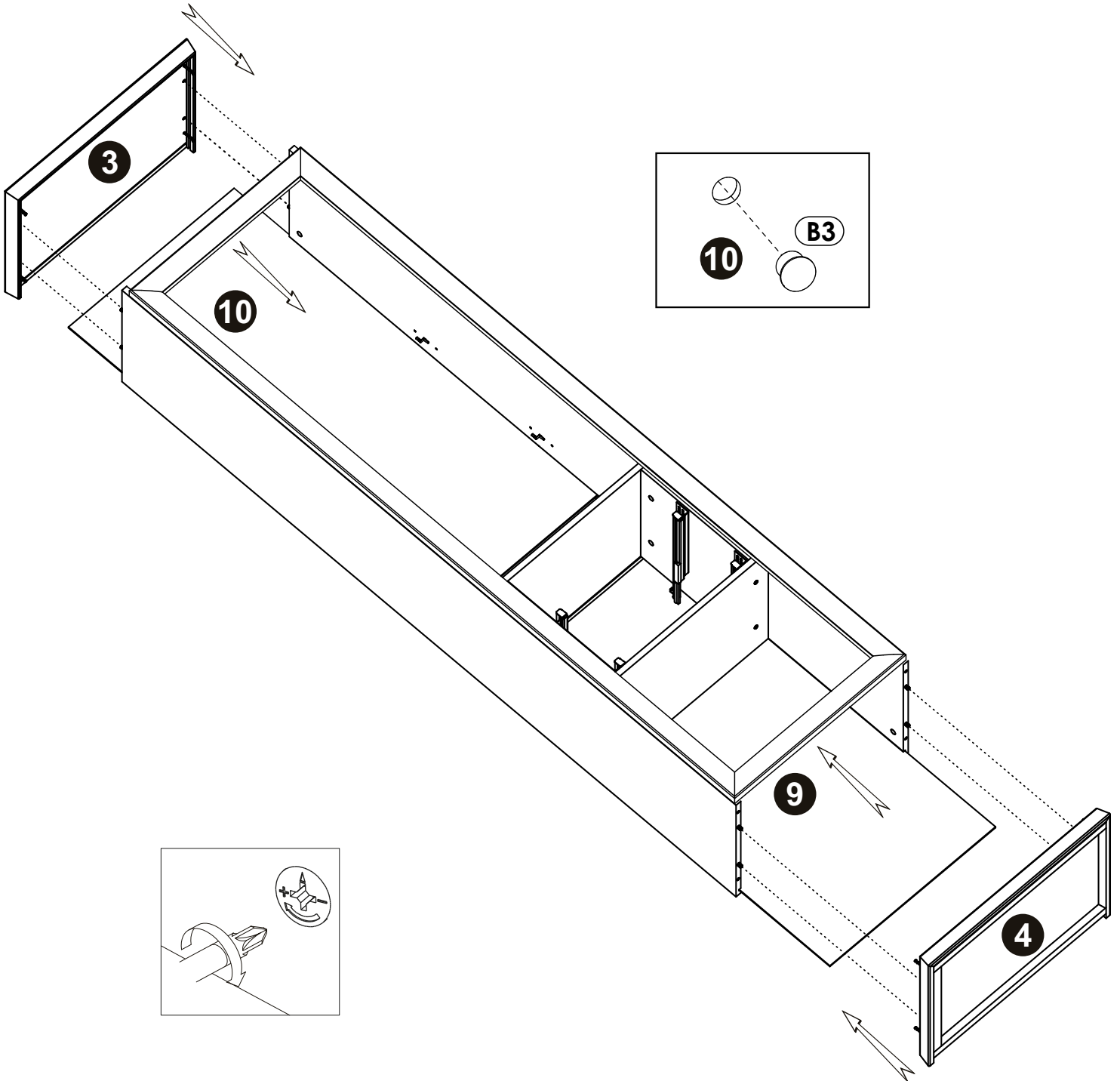
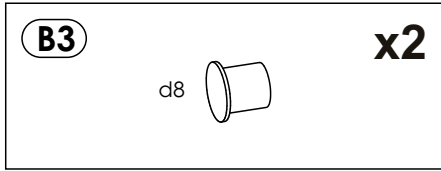
12▷




13▷

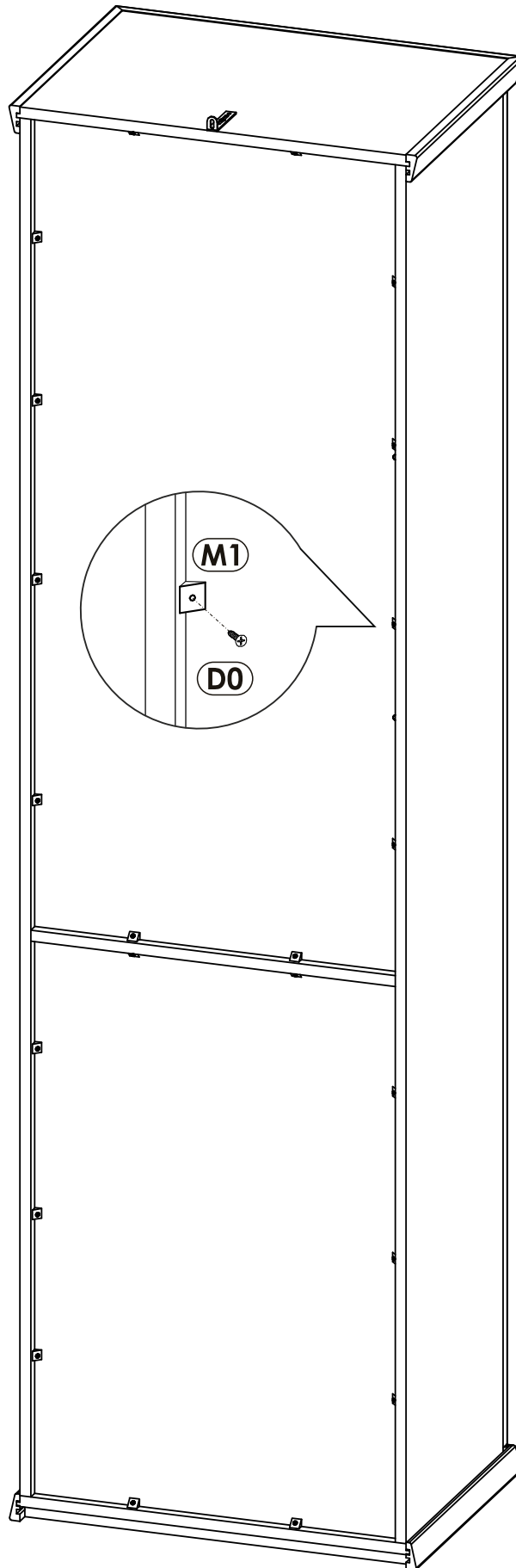
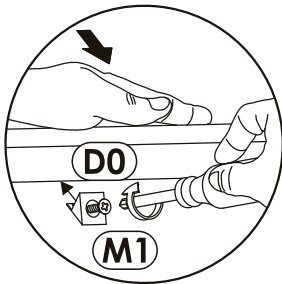
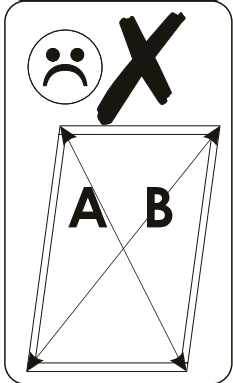
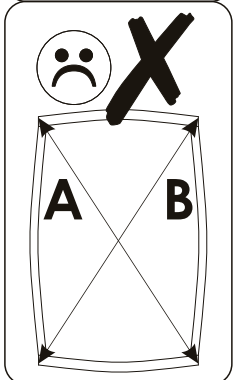
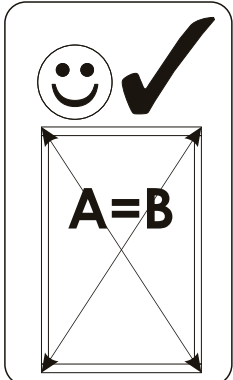


14▷

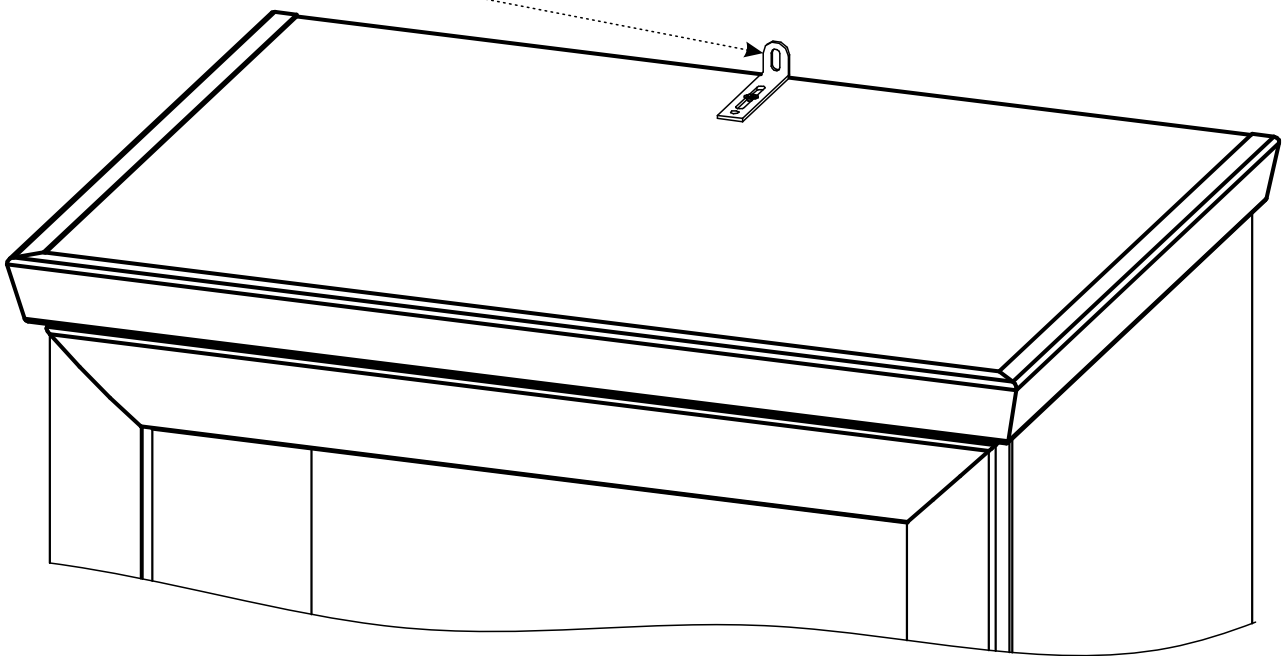
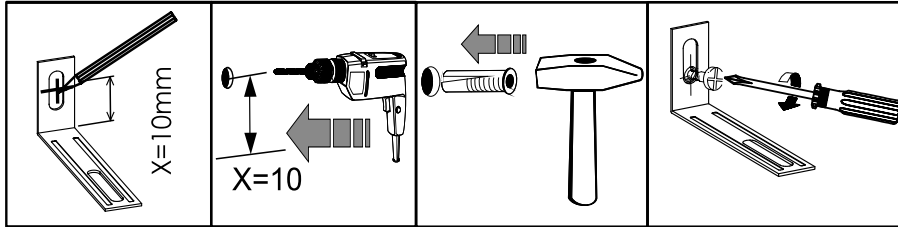
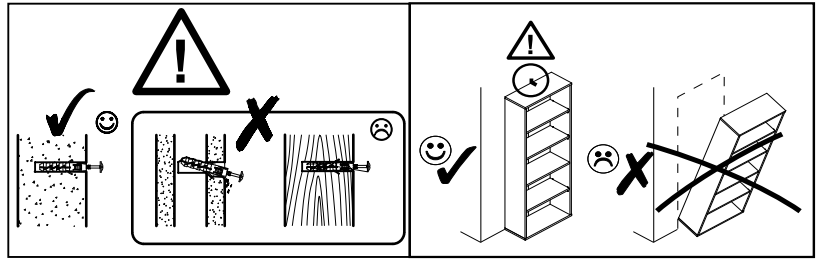
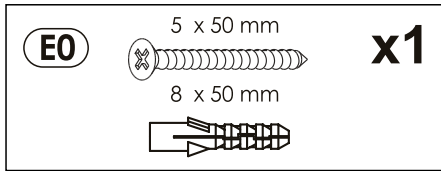


15▷

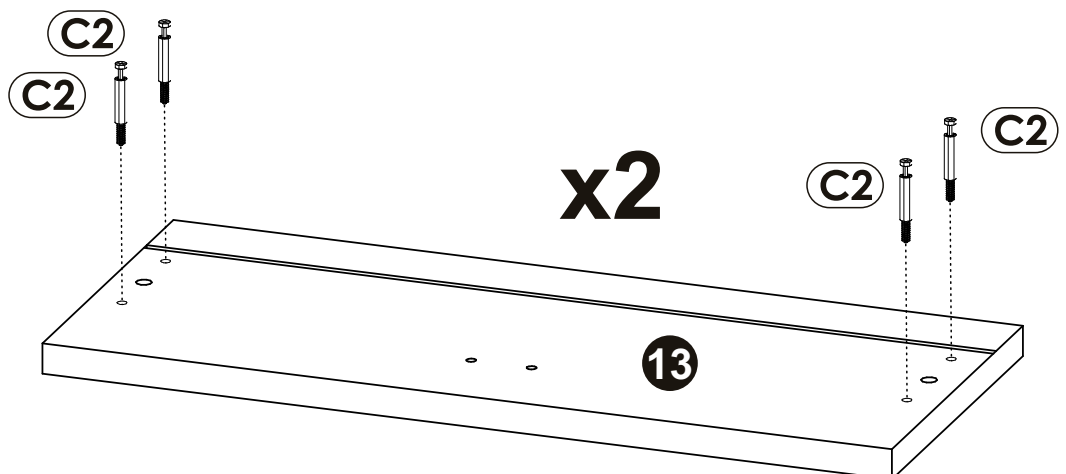
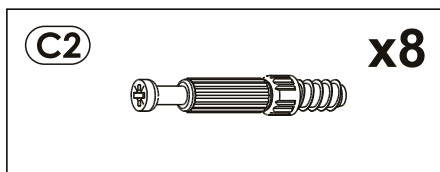
(M1)		x22	(D0)	3 x 15 mm	x22
-------------	---	------------	-------------	-----------	------------



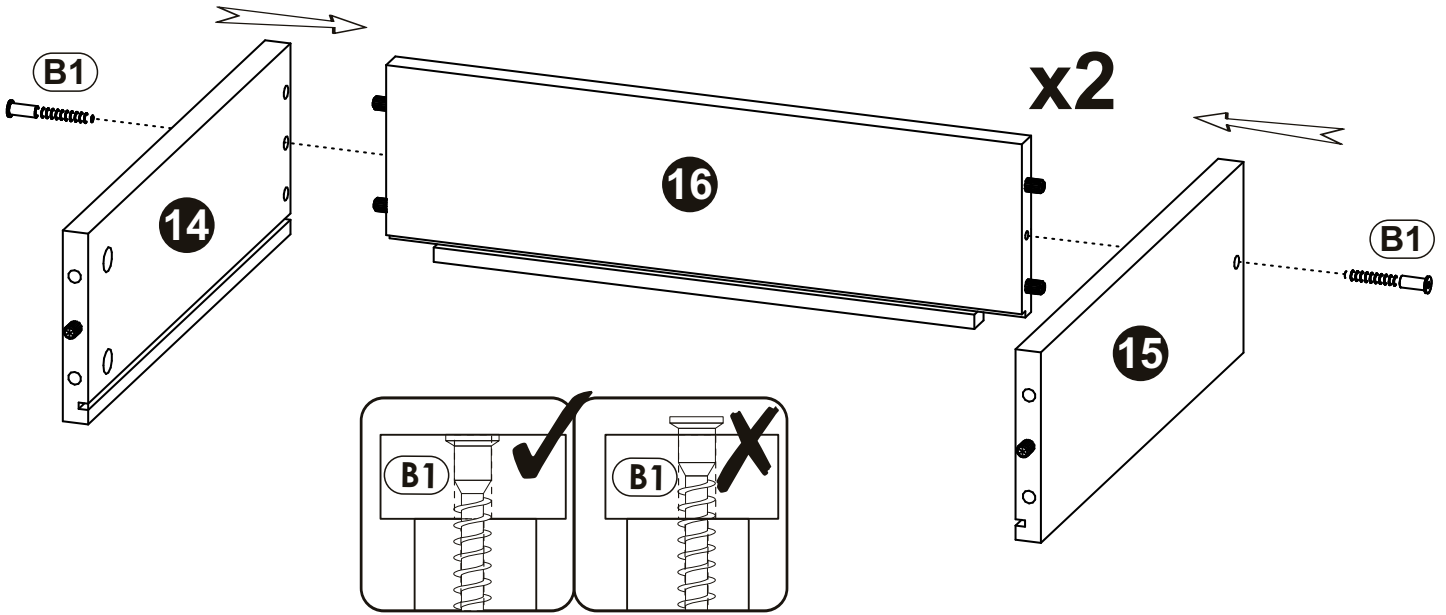
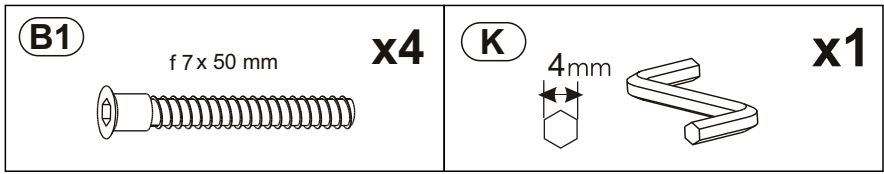
16▷



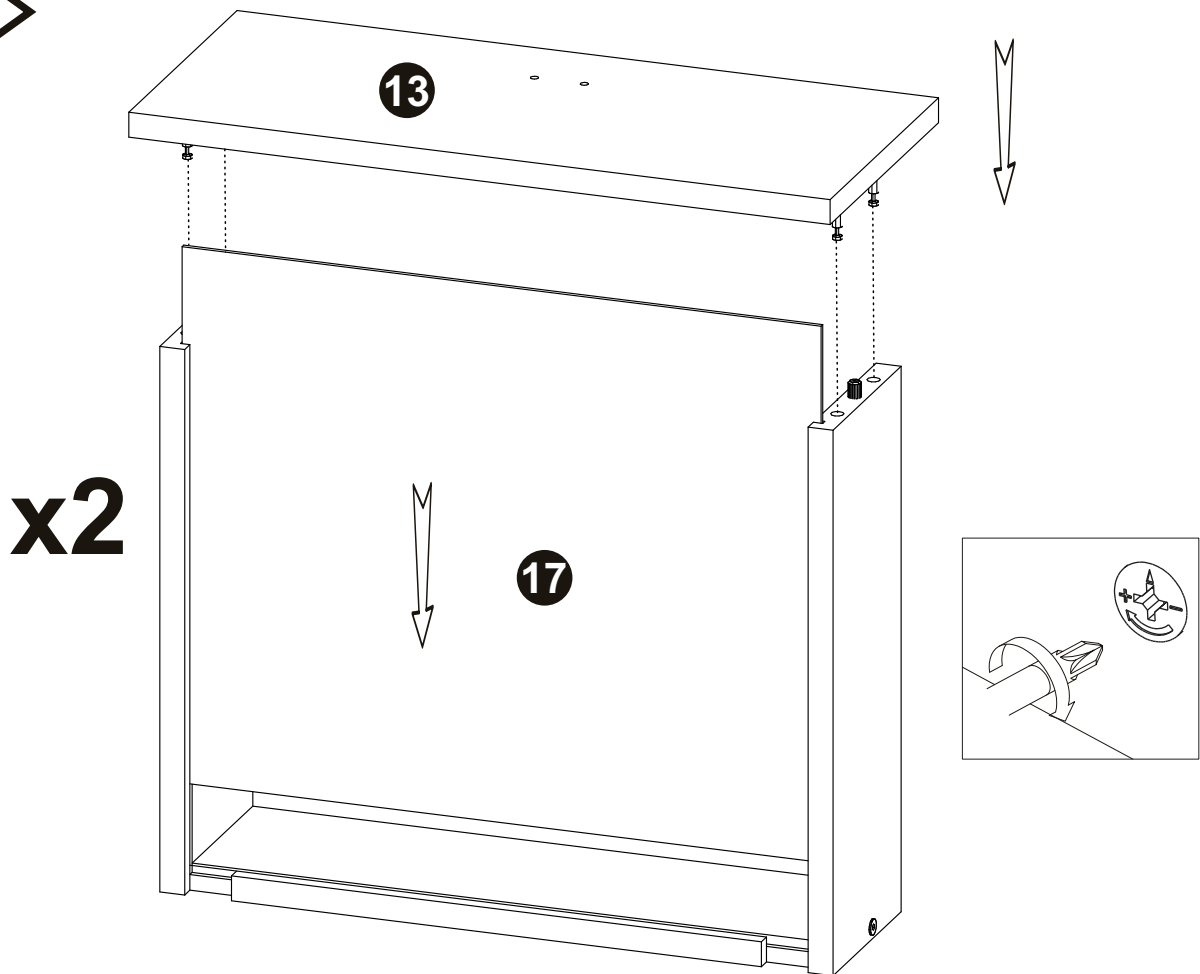
17▷





18▷

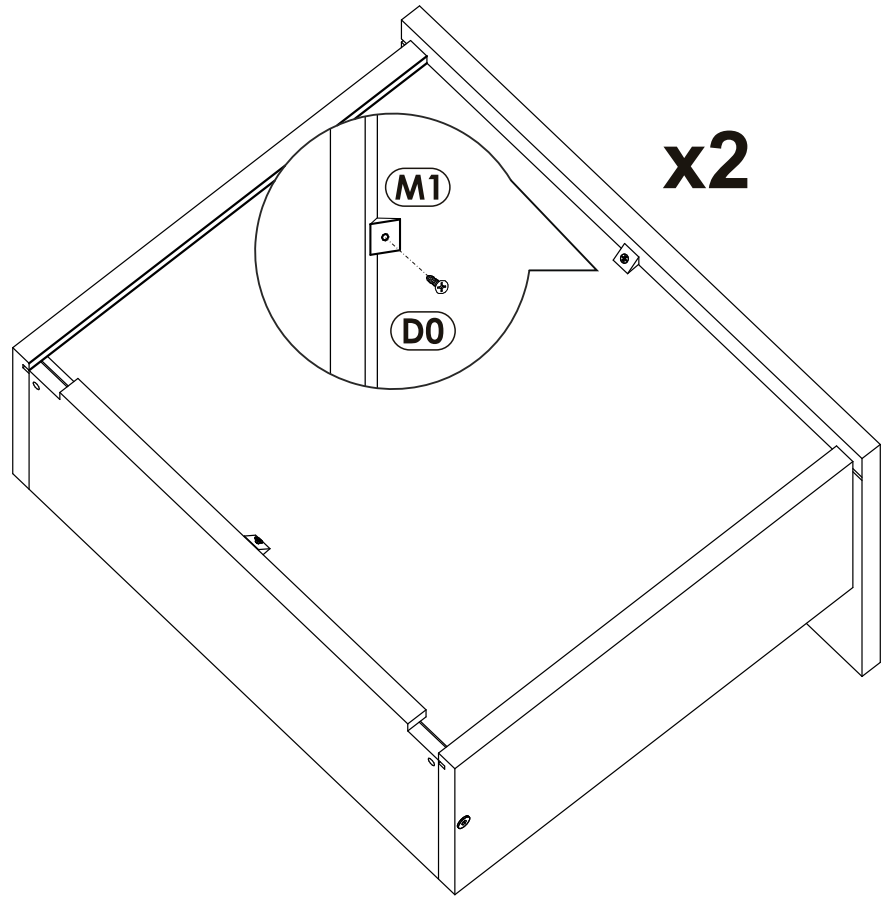
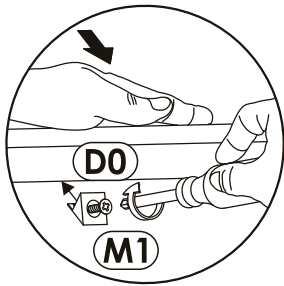
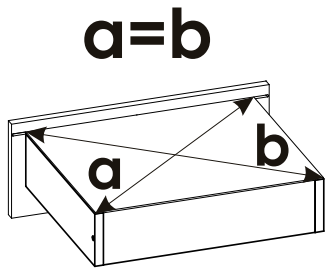


19▷





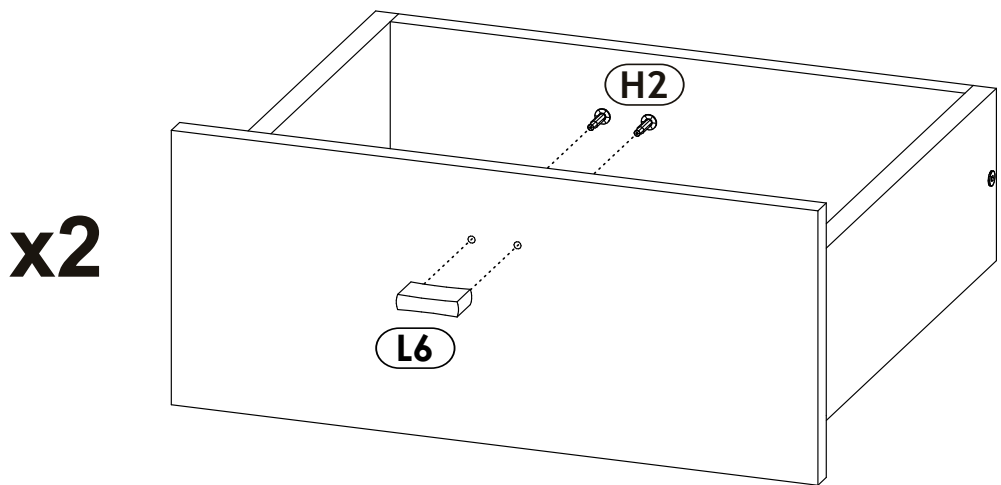
20▷

(M1)		x4	(D0)	3 x 15 mm	x4
					



21▷

(L6)		x2	(H2)	4 x 22 mm	x4
					



22▷

