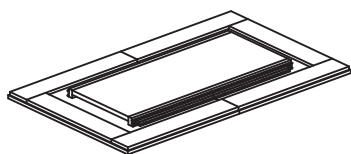
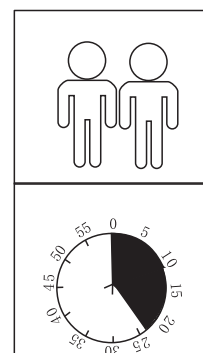
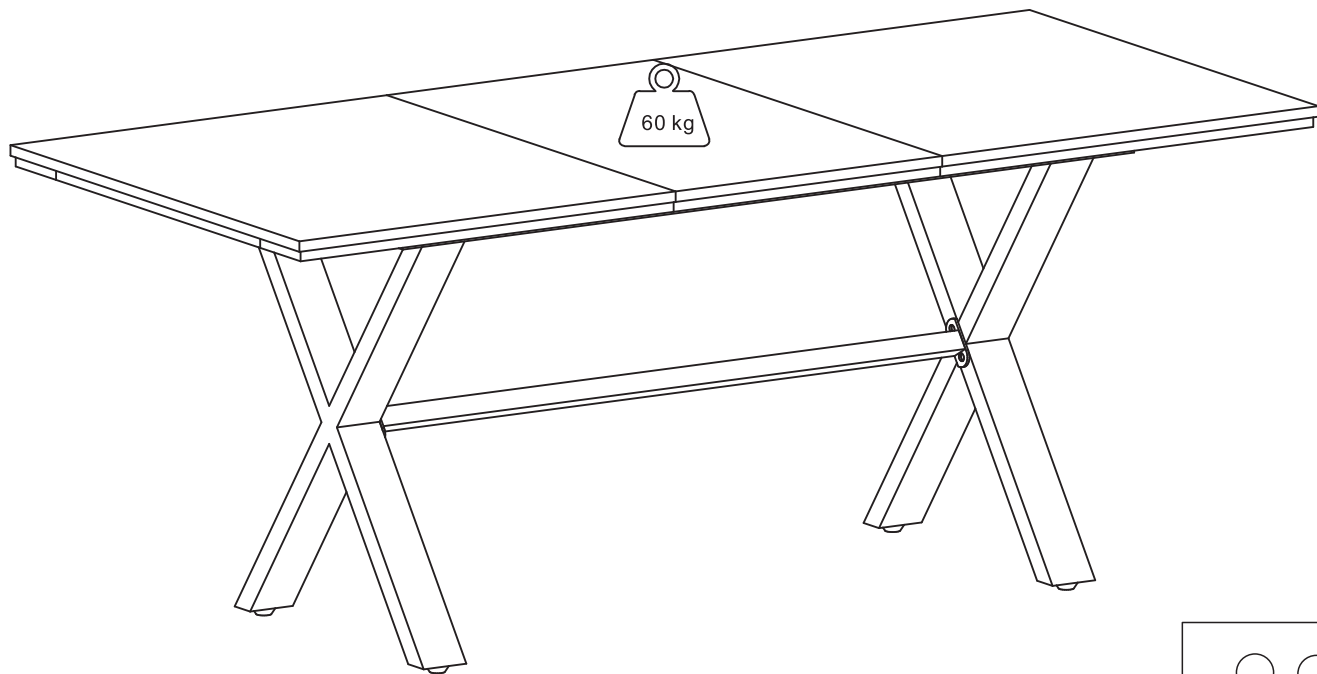
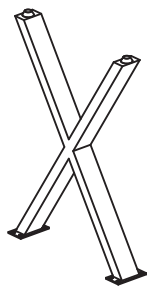


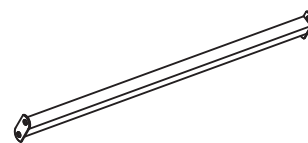
00550087-01



① x1



② x2



③ x1

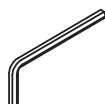
A (M8x15MM) x20



B (φ18x1.5mm) x 20



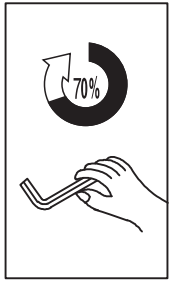
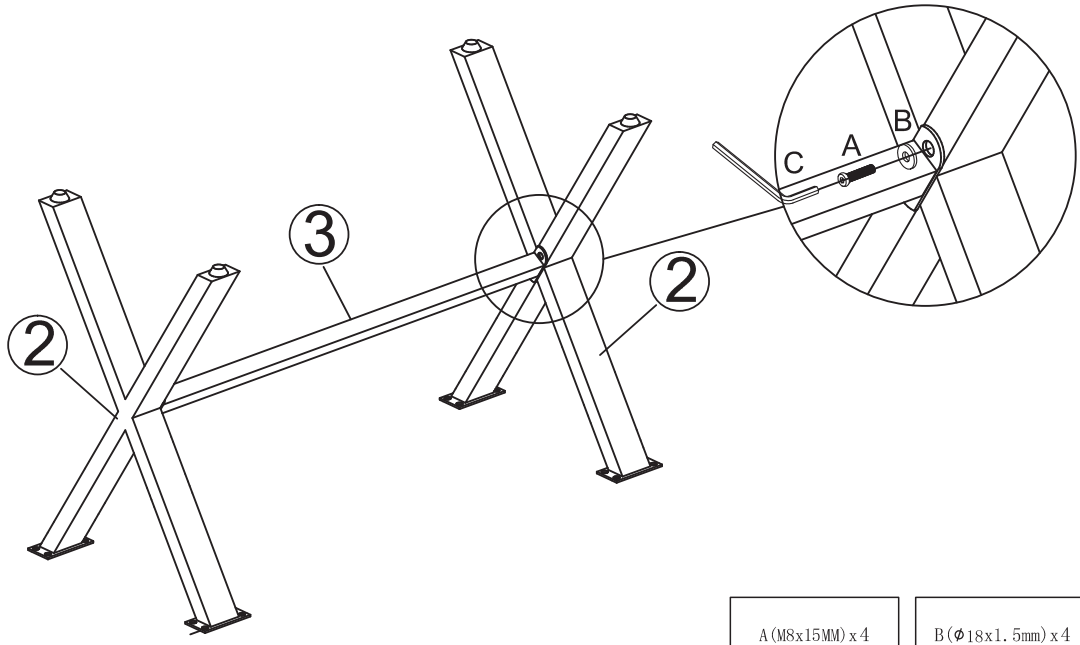
C (M6) x1

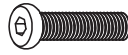

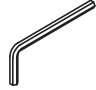


1 / 4

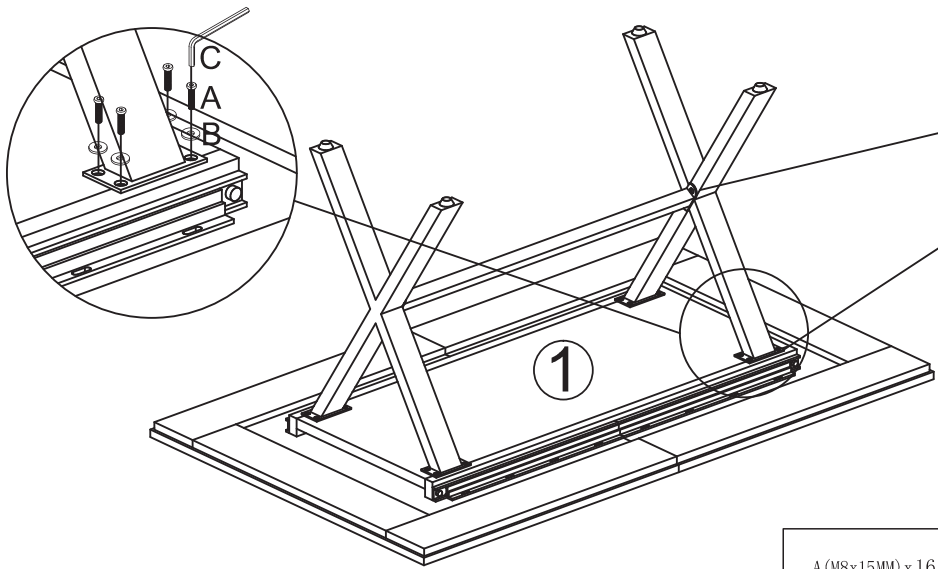


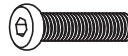


1

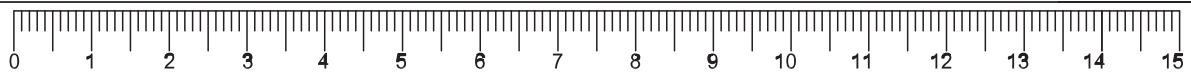


<p>A (M8x15MM) x 4</p> 	<p>B (Ø 18x1.5mm) x 4</p> 	<p>C (M6) x 1</p> 
---	---	--

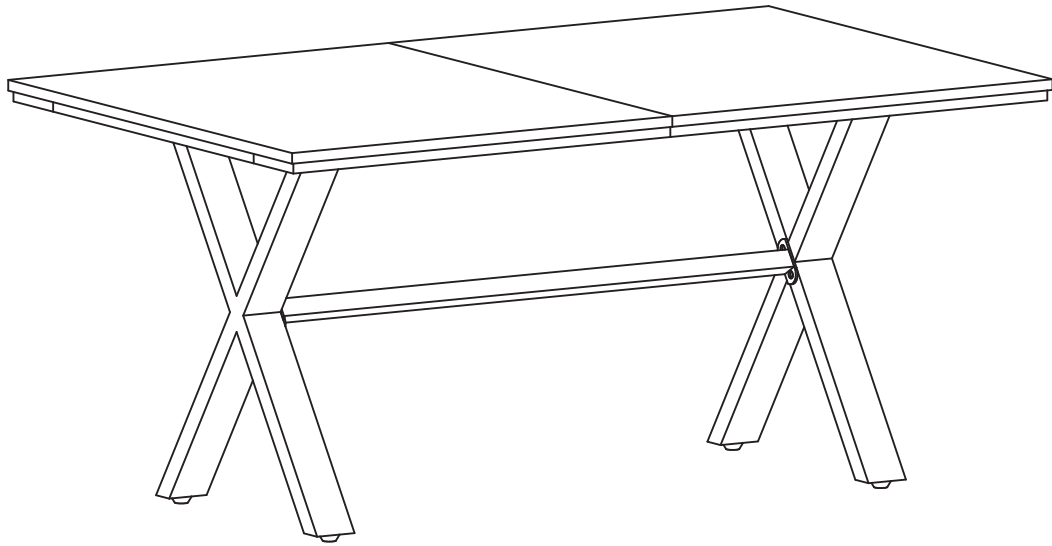
2



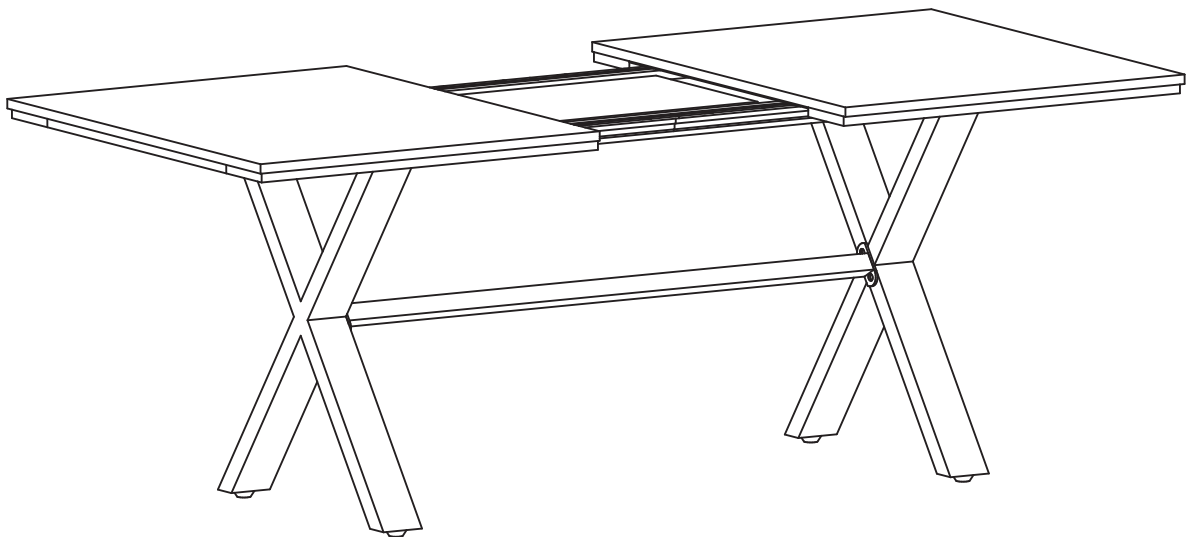
<p>A (M8x15MM) x 16</p> 	<p>B (Ø 18x1.5mm) x 16</p> 	<p>C (M6) x 1</p> 
--	--	---



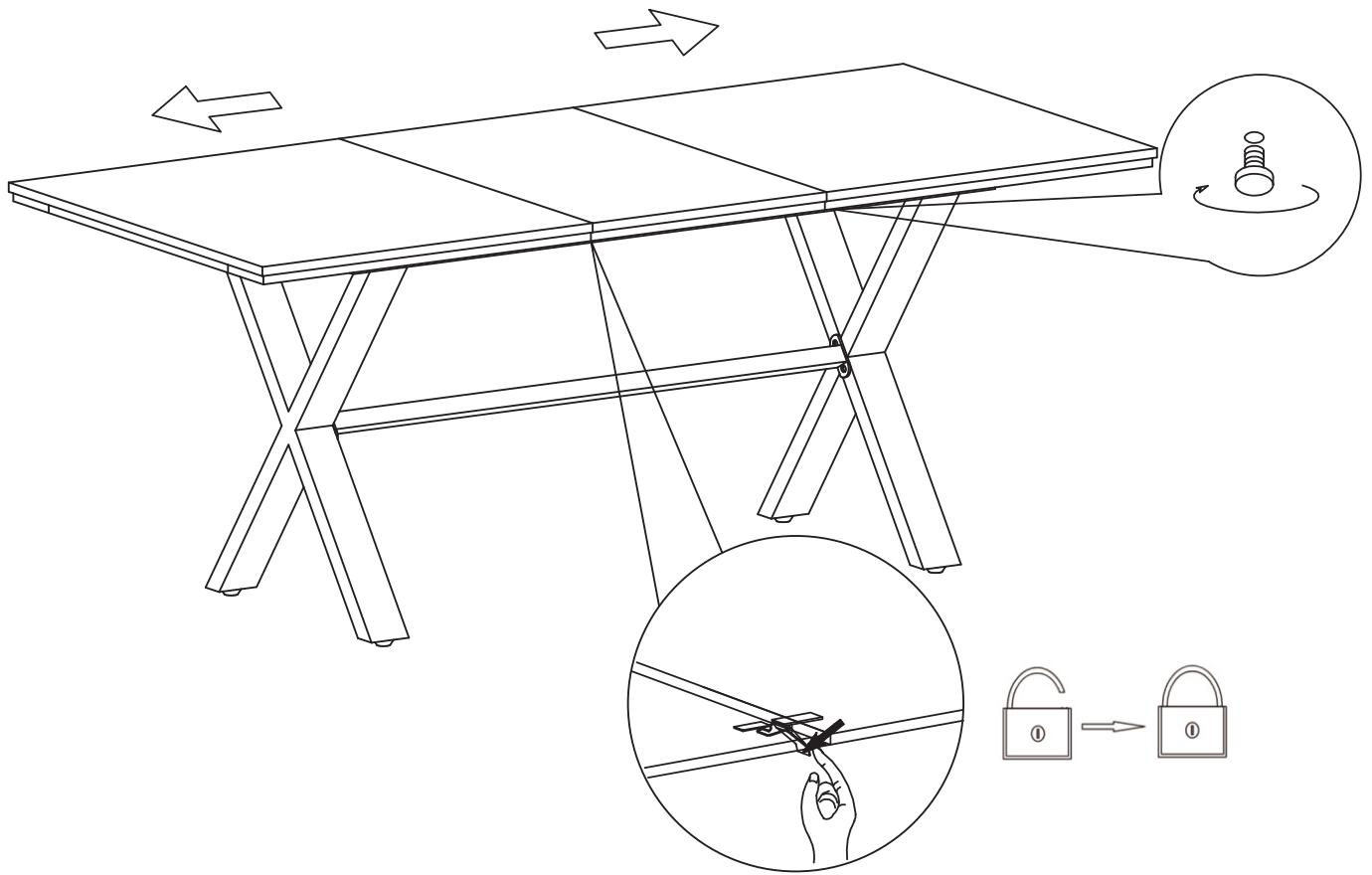
3



4



5



6

