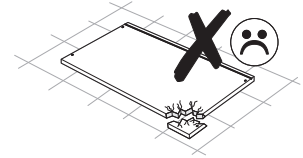
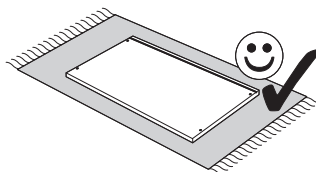
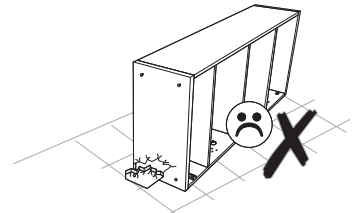
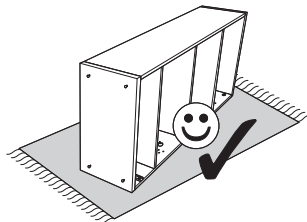
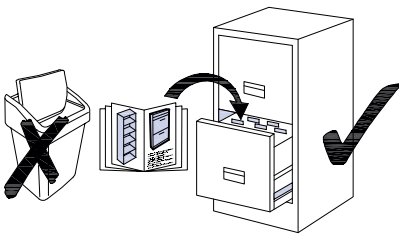
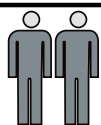
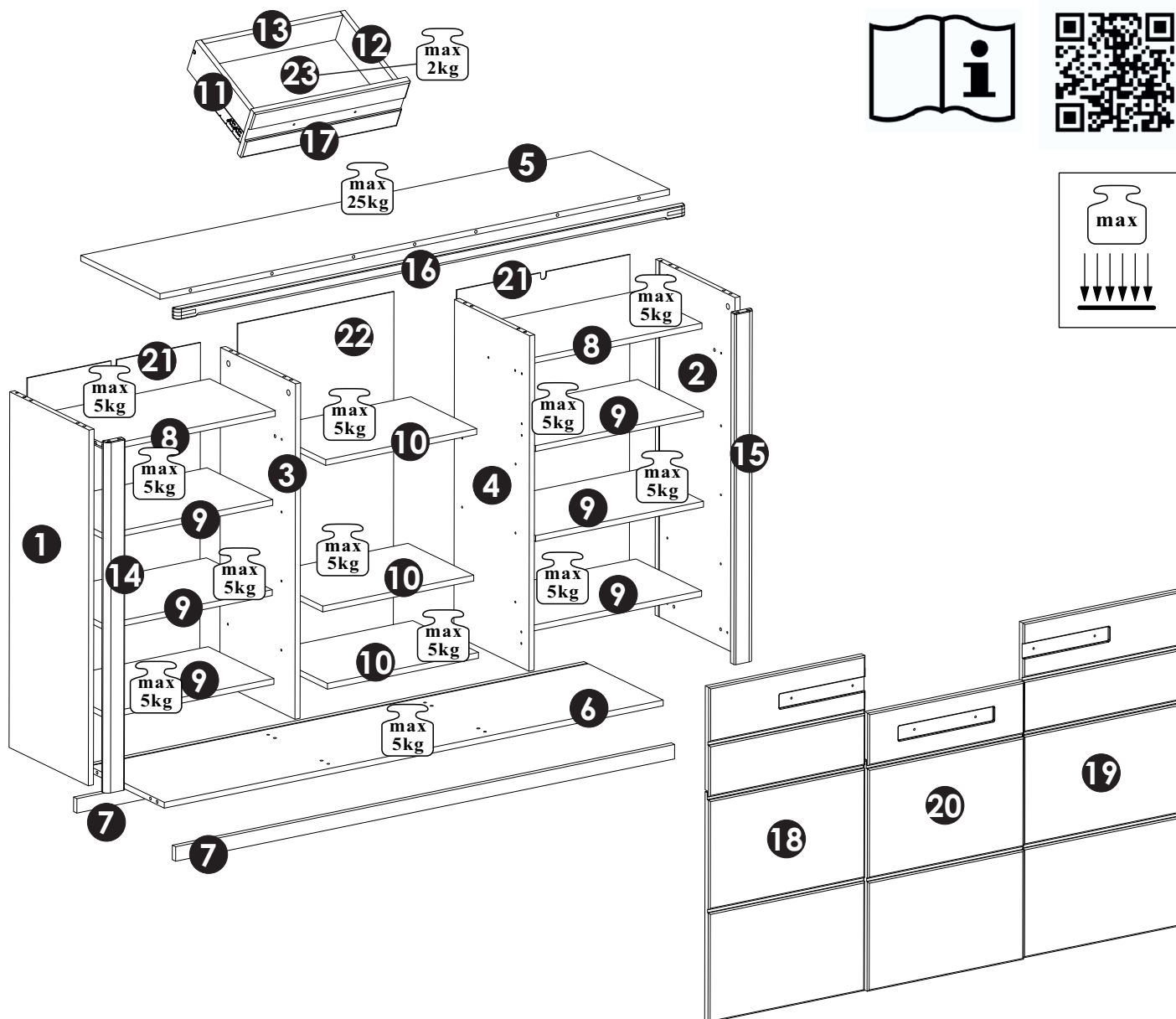


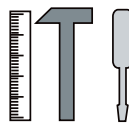
Nature One 32 18 FF 12



Nature One 32 18 FF 12



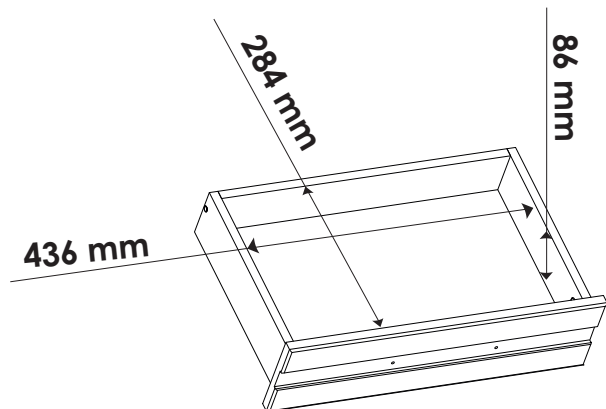
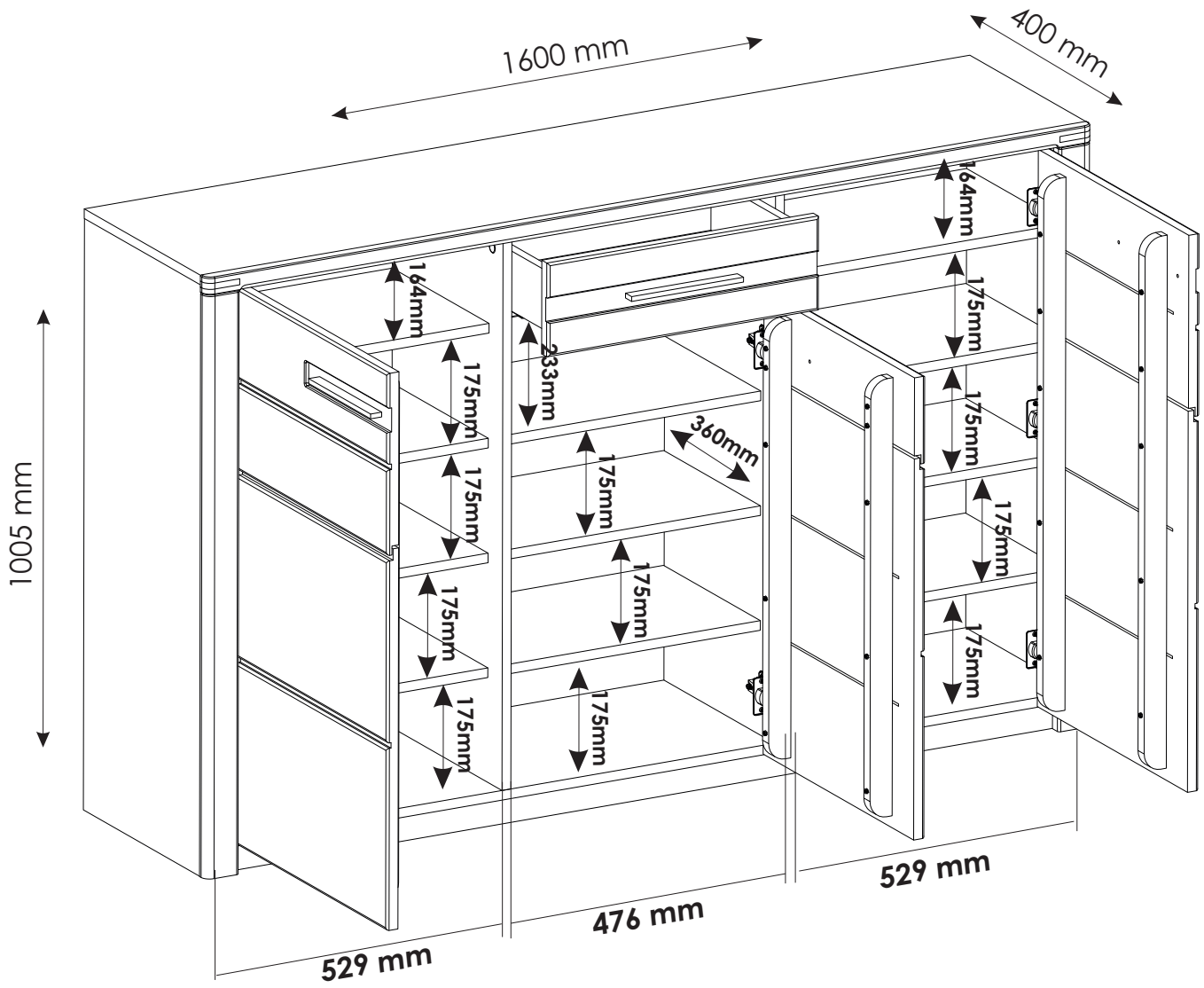
135 min

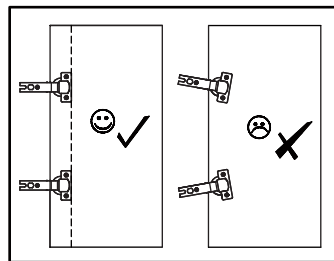
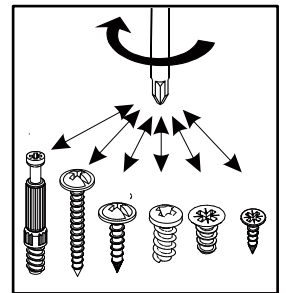
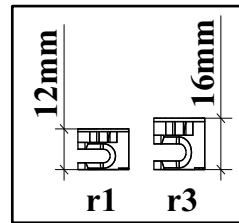
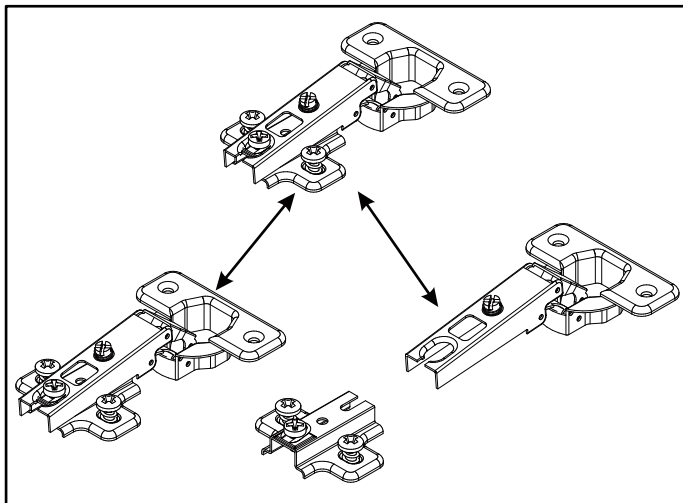
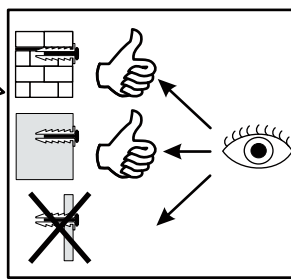
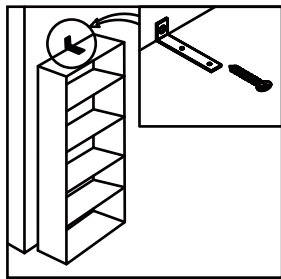
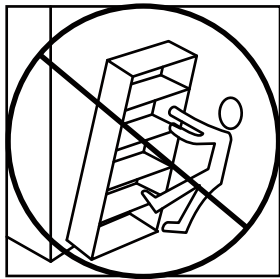
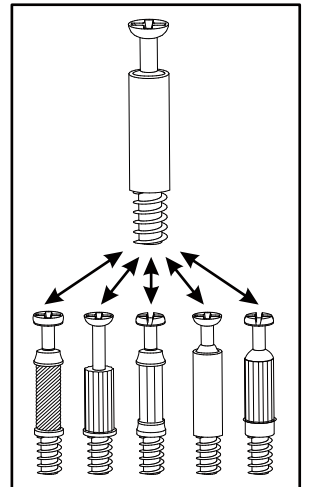
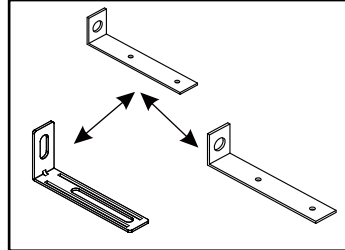
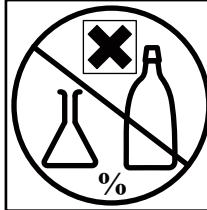
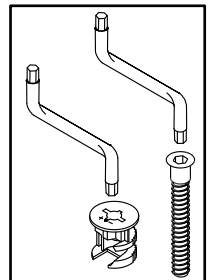
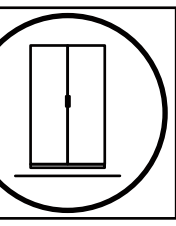
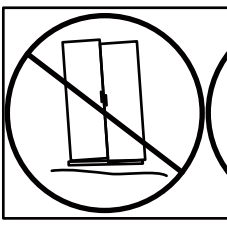
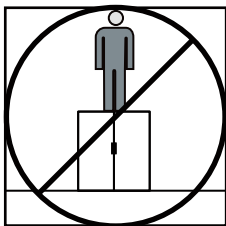
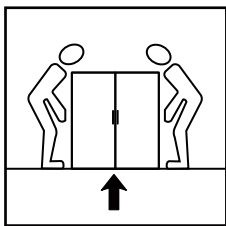
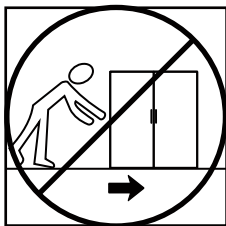
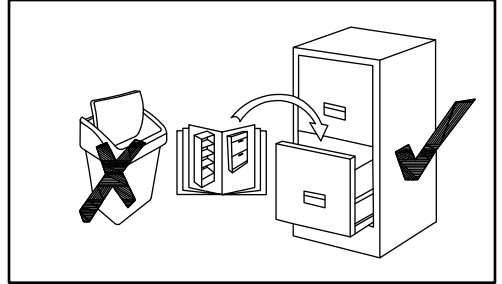
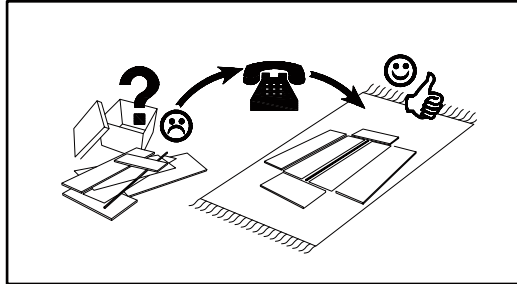
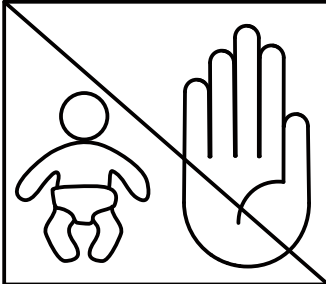
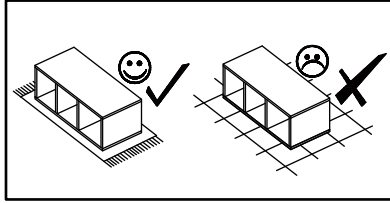
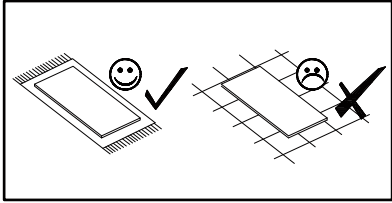
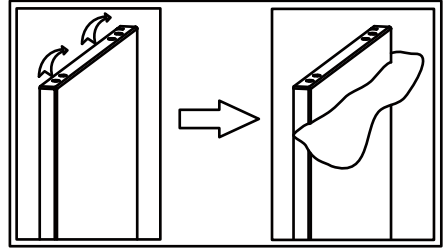


NO	Dim.(mm)			Col.-No	Qty
1	984	380	16	3/3	1
2	984	380	16	3/3	1
3	928	360	16	3/3	1
4	928	360	16	3/3	1
5	1599	380	16	2/3	1
6	1566	380	16	2/3	1
7	1566	40	16	2/3	2
8	529	315	16	1/3	2
9	527	315	16	1/3	6
10	474	315	16	3/3	3
11	300	100	16	2/3	1
12	300	100	16	2/3	1
13	436	86	16	2/3	1


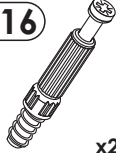



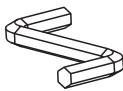


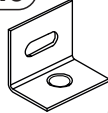
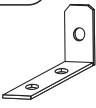
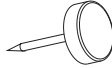




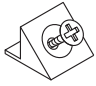
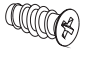
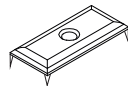
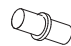
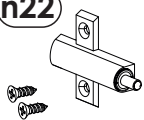

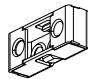
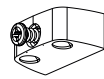


NO	Dim.(mm)			Col.-No	Qty
14	971	60	20	2/3	1
15	971	60	20	2/3	1
16	1601	60	20	2/3	1
17	490	156	20	1/3	1
18	927	490	60	1/3	1
19	927	490	60	1/3	1
20	769	490	60	1/3	1
21	942	543	3	3/3	2
22	942	490	3	3/3	1
23	446	303	3	3/3	1
A				1/3	1

Nature One 32 18 FF 12

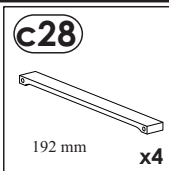




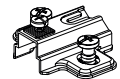

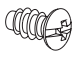
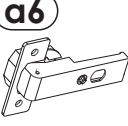
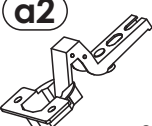
A1

f1  φ8x30 mm x32	r16  x29	r1  x29	e1  φ6.5x50 mm x6	t17  φ8x50 mm x2	z1  x1	s1  x6
s2  x29	n6  x12	n14  x2	k1  x8	p4  φ3.5x16 mm x24	p1  φ3.5x13 mm x46	j2  M4x20 mm x8
o21  x2	l2  x22	e3  φ6.3x13 mm x6	l9  x8	d1  φ5x17 mm x36	n22  x3	y1  x1
n401  x6	n400  x6	p8  φ4x25 mm x12	p10  φ3.5x20 mm x12			

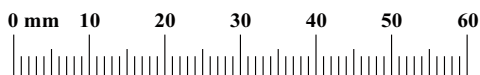
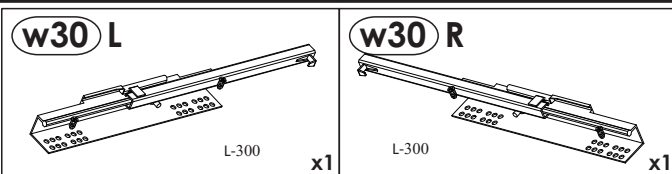
A2

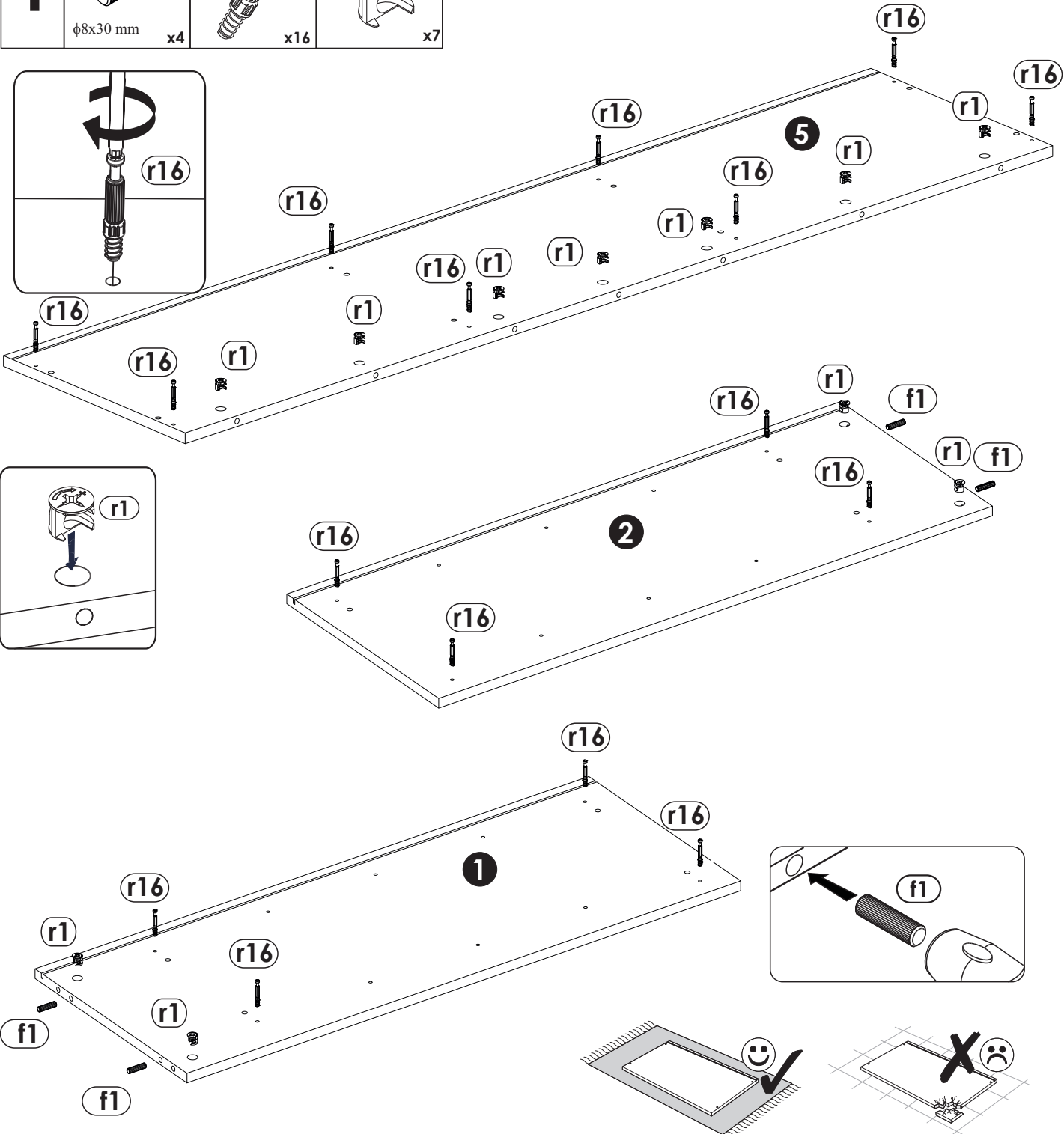
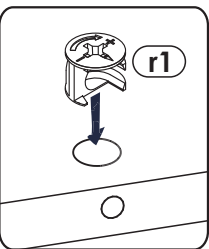
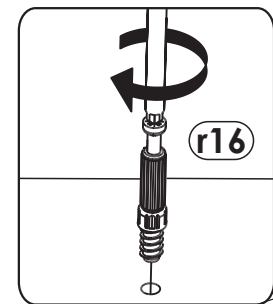
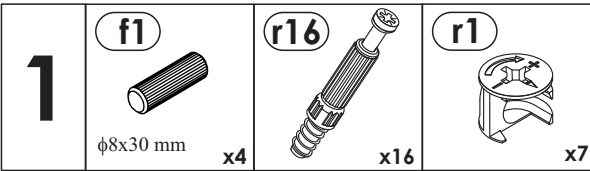
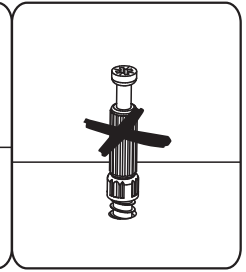
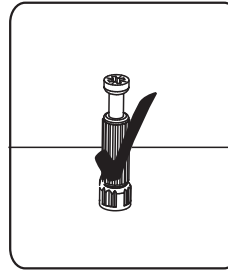
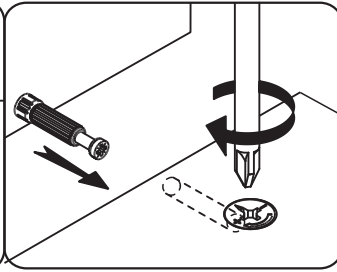
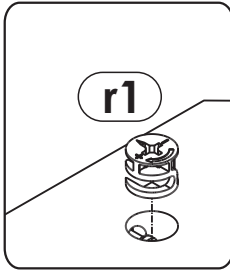
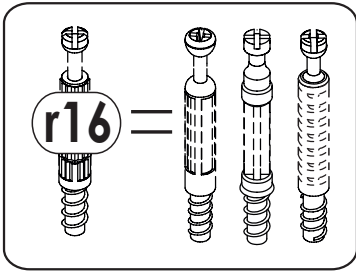


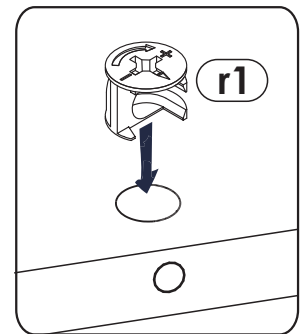
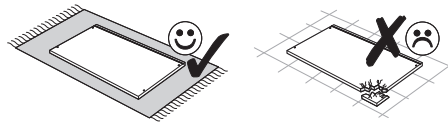
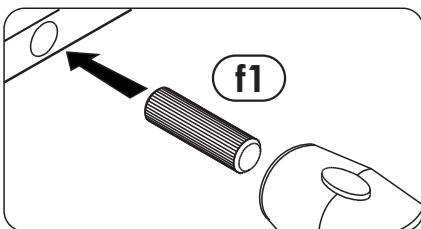
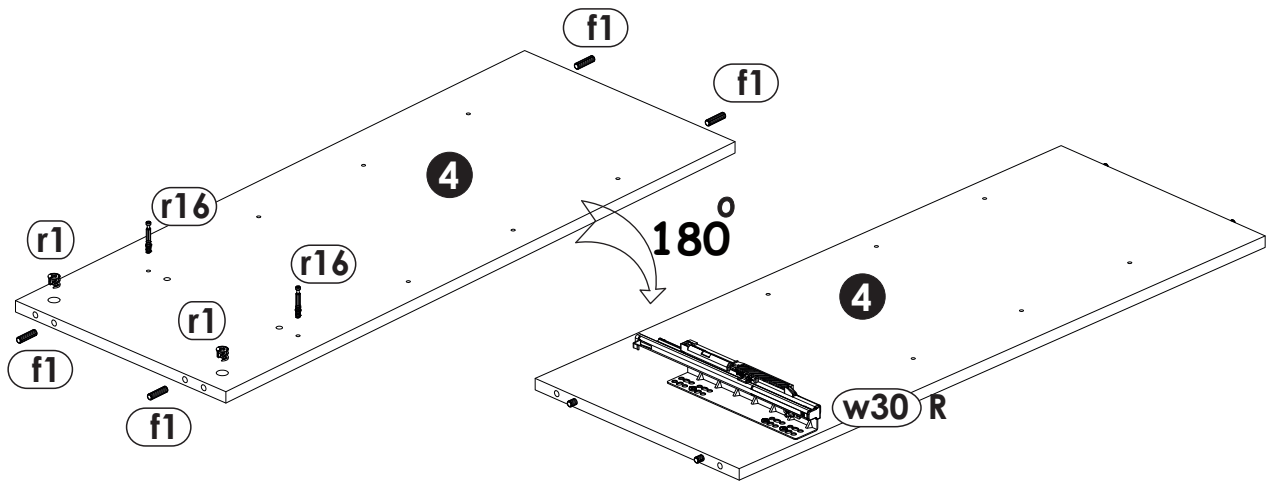
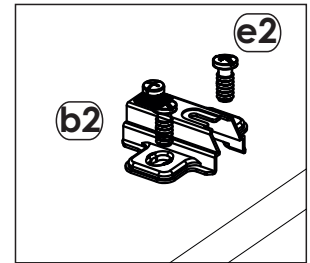
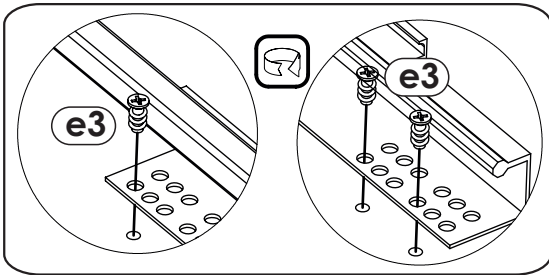
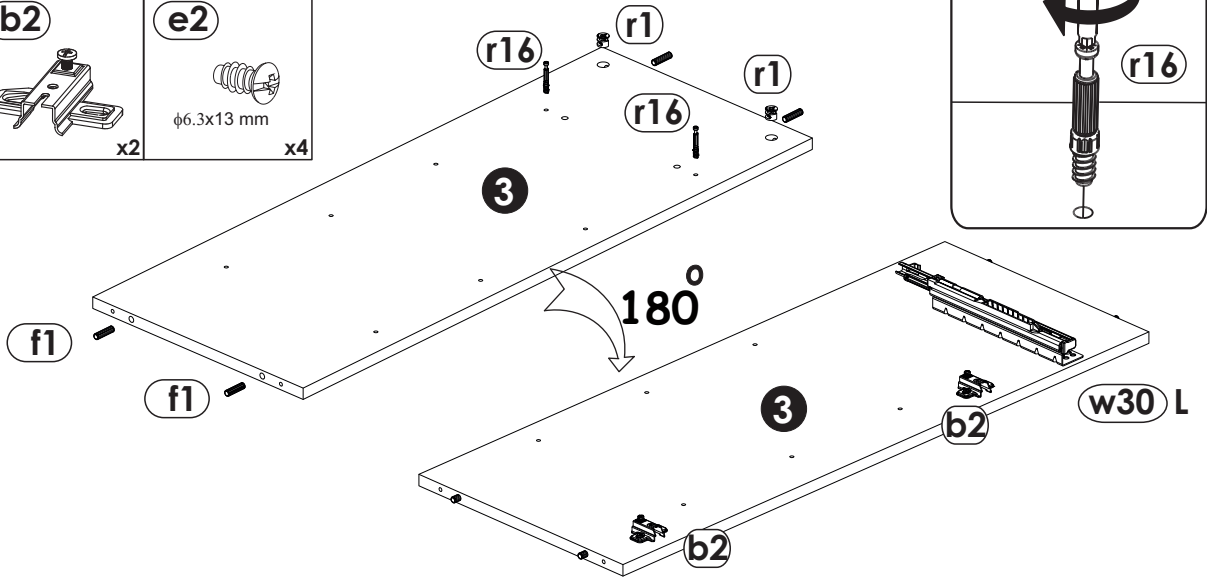
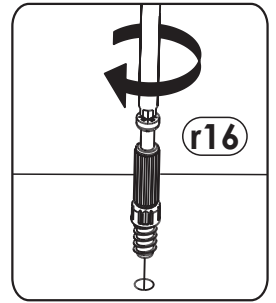
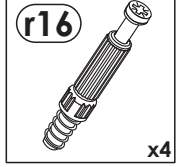
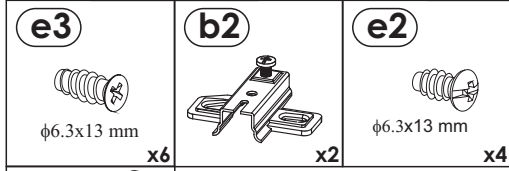
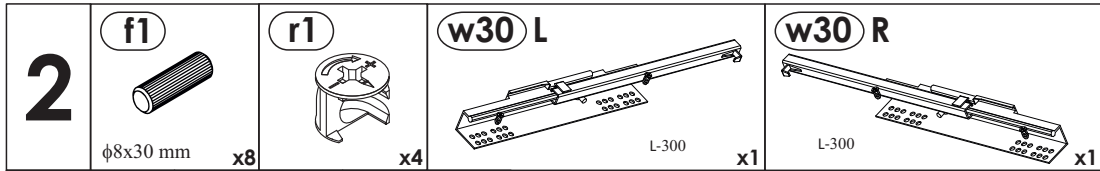
A3

b6  x6	b2  x2	e2  φ6.3x13 mm x16
a6  φ35 mm x6	a2  x2	



A4

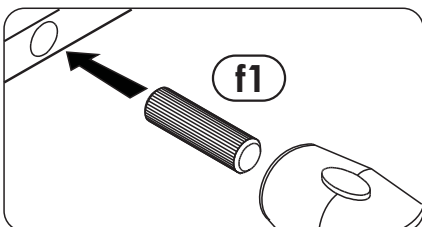
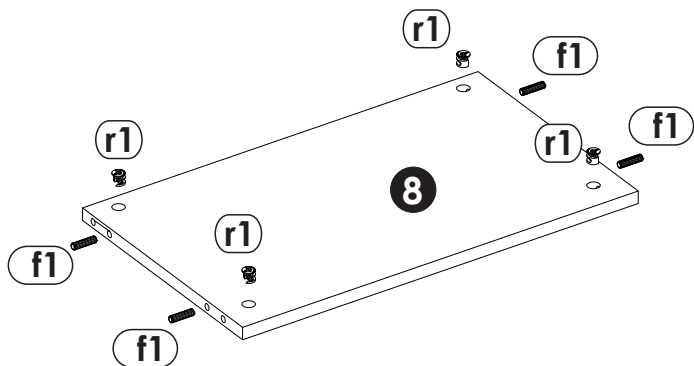
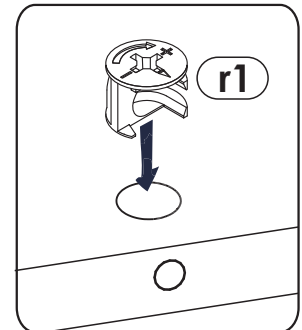
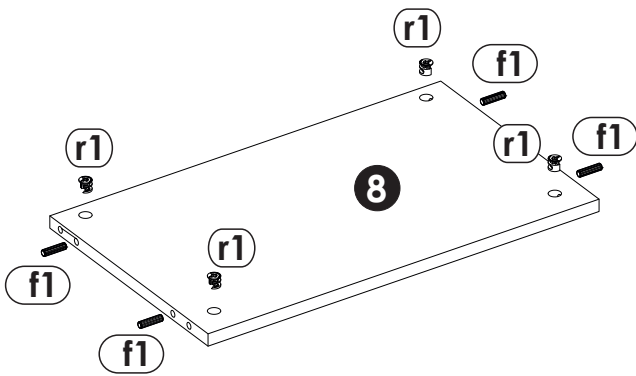
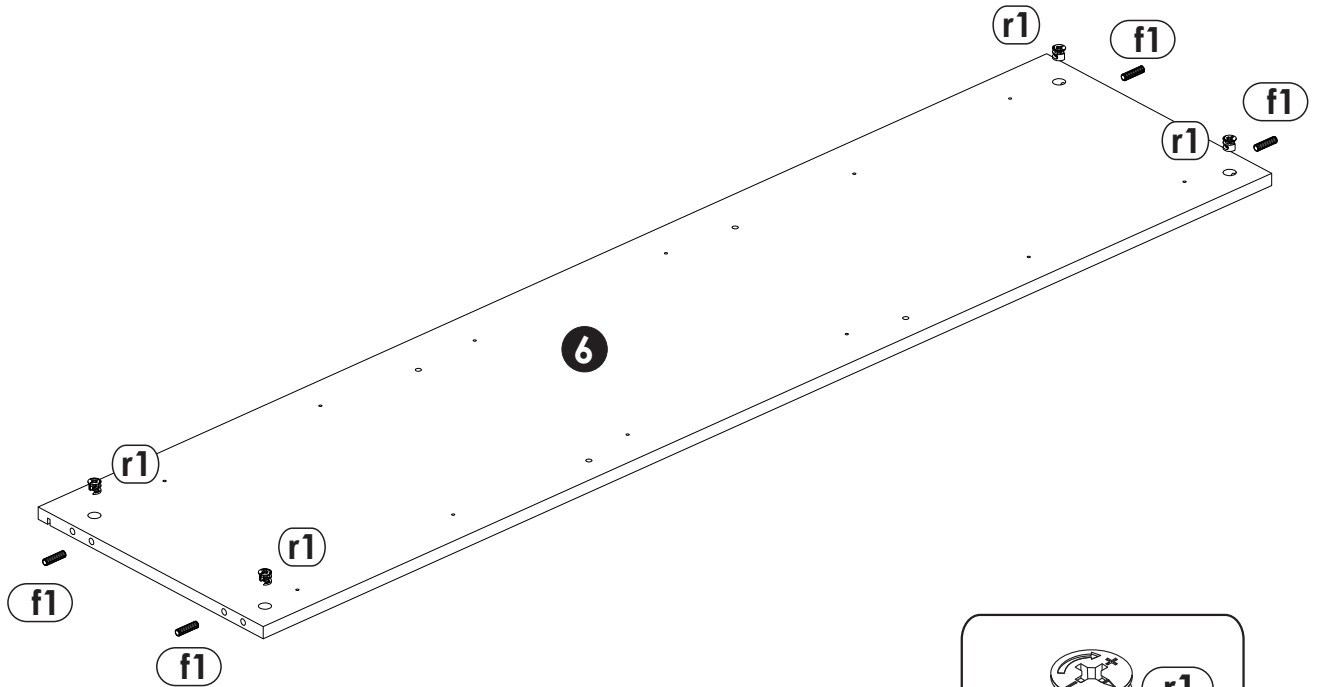
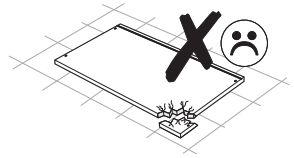
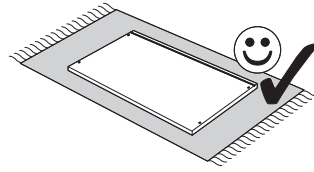


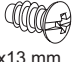
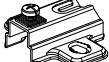


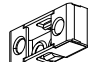



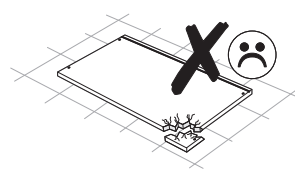
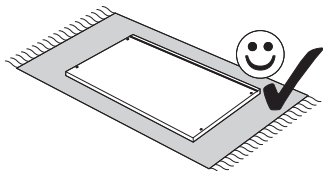
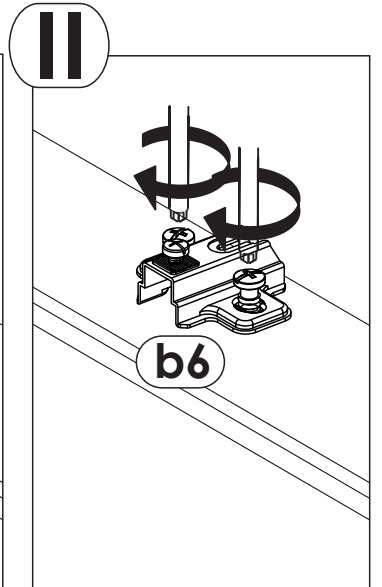
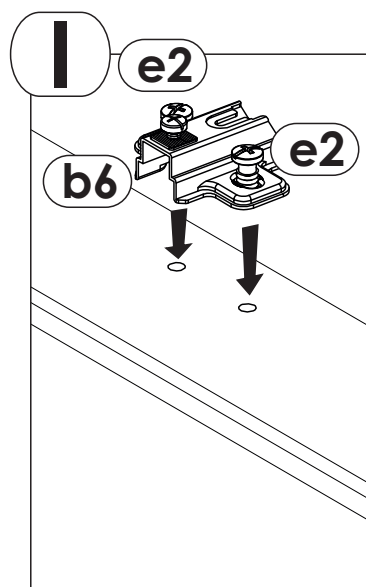
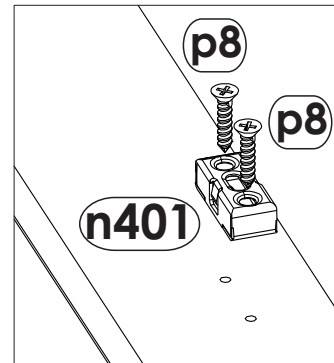
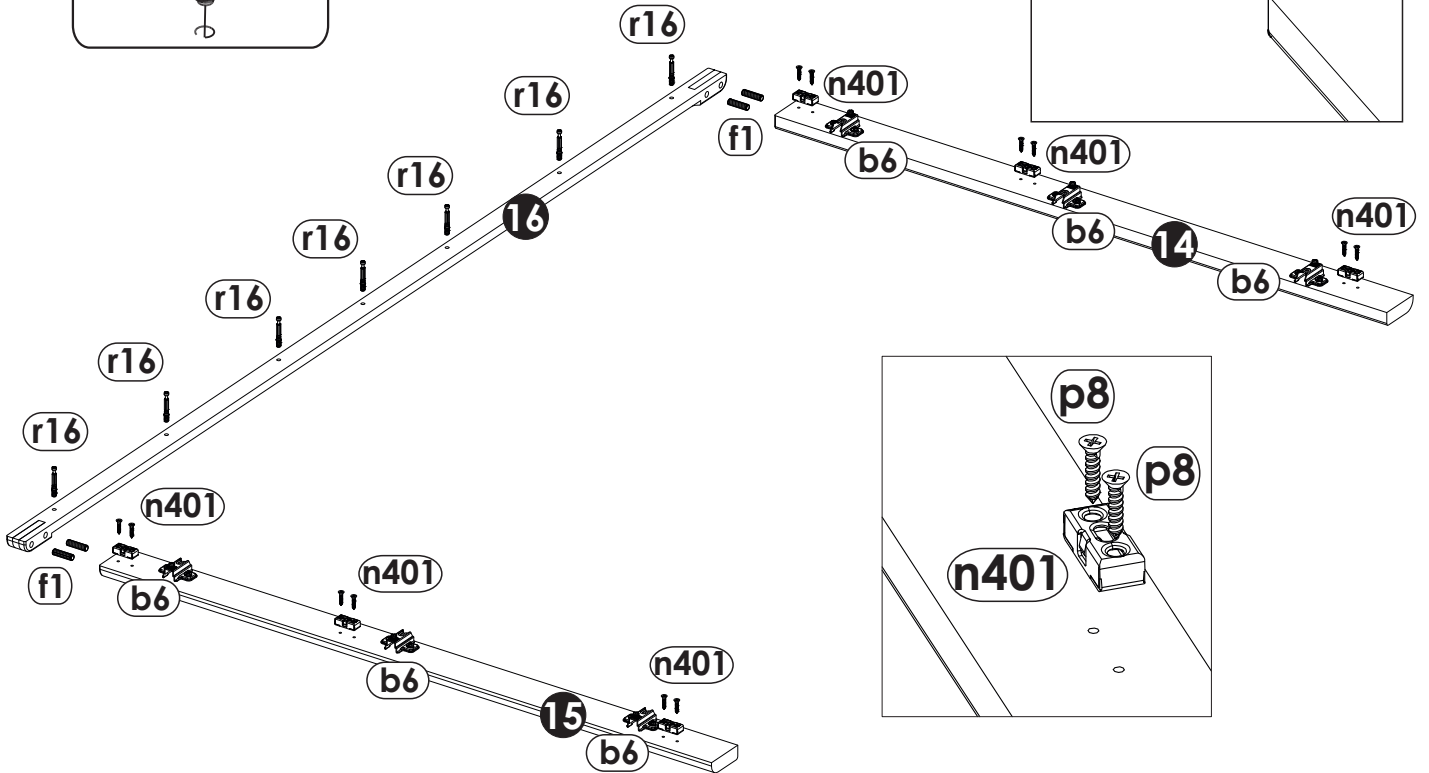
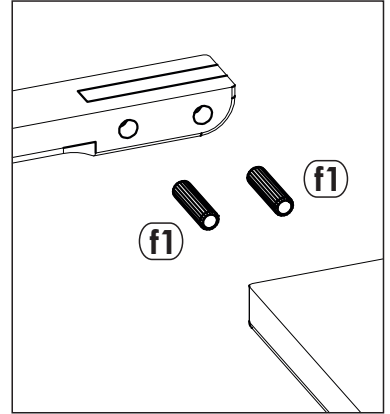
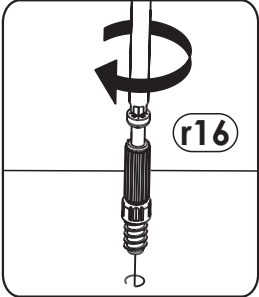


Nature One 32 18 FF 12


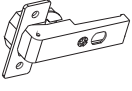
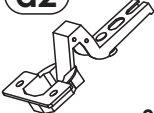
3	f1	r1
	 φ8x30 mm x12	 x12

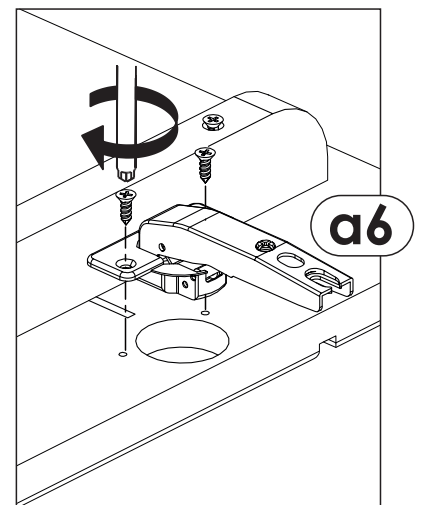
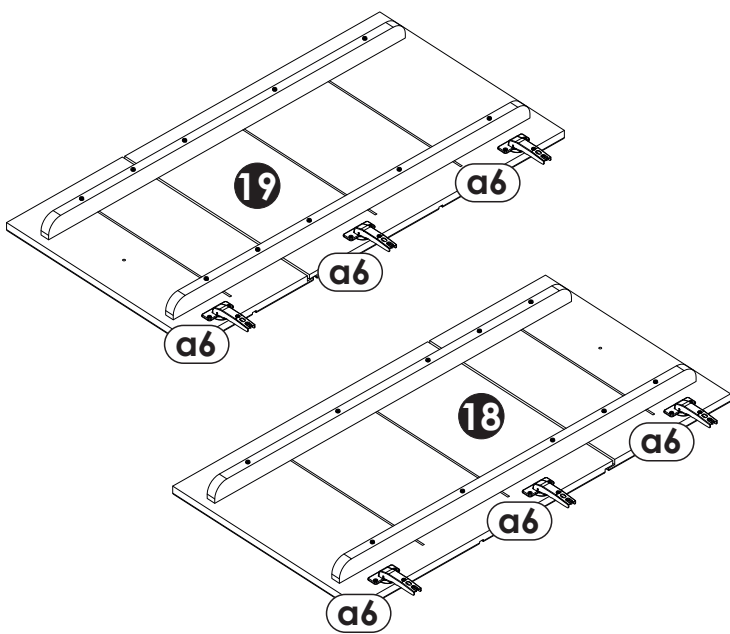
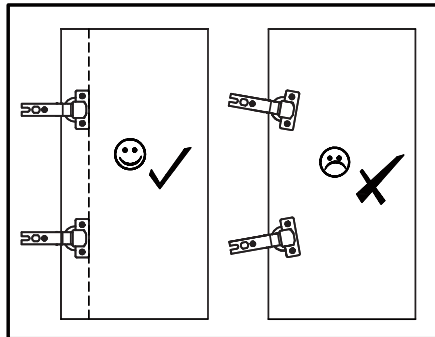
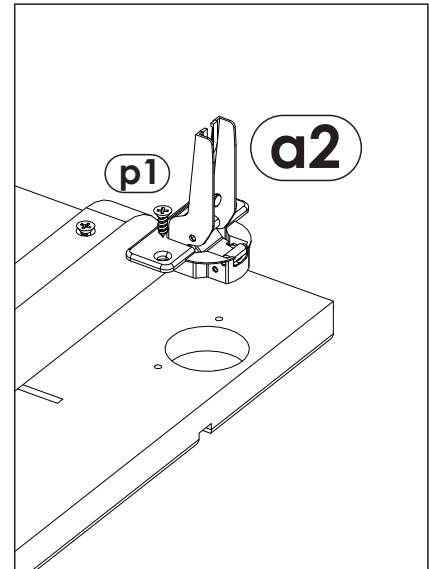
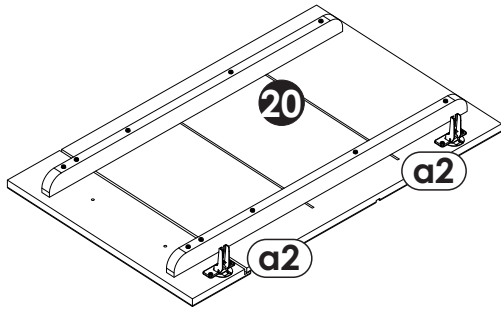
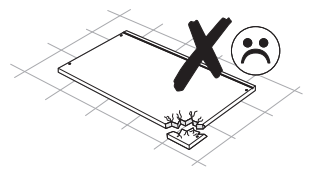
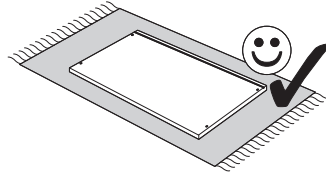


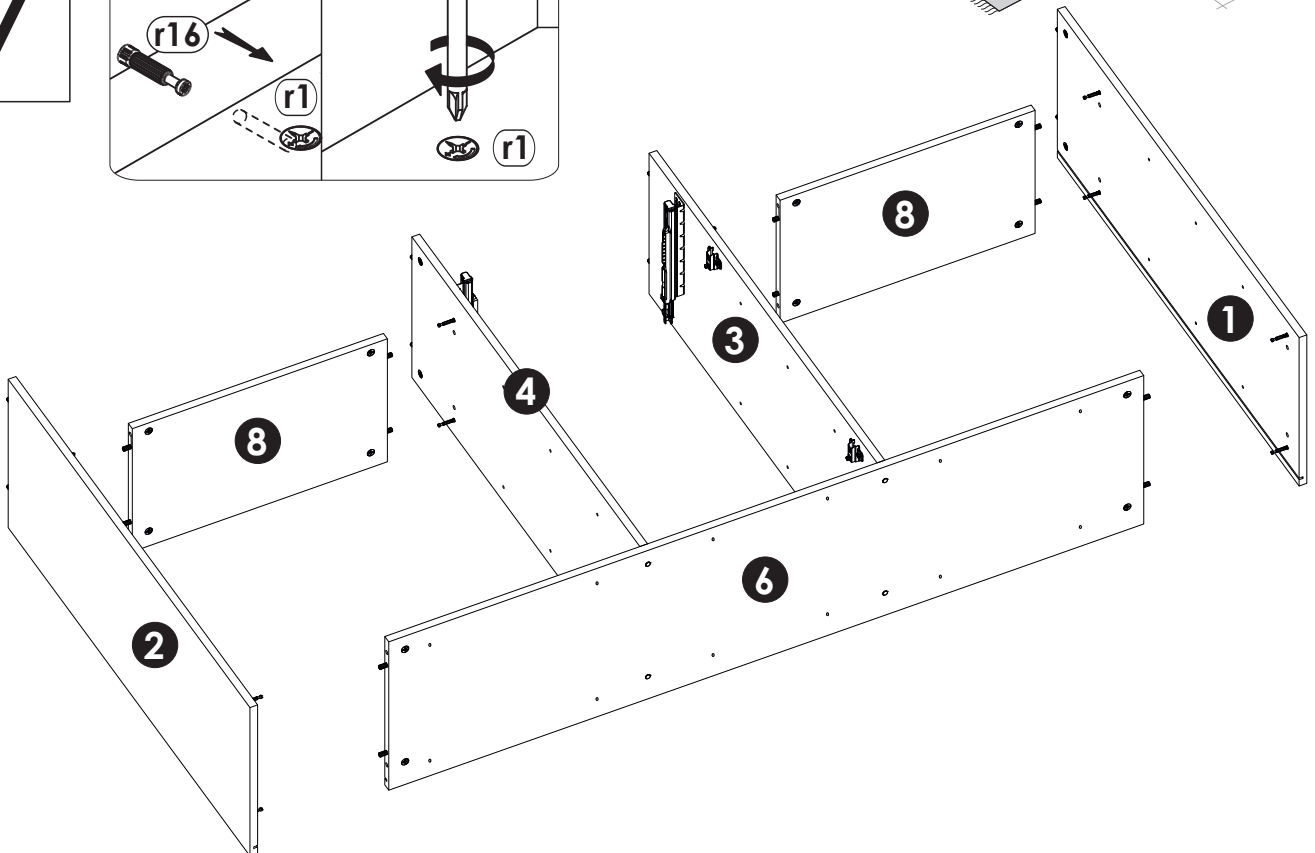
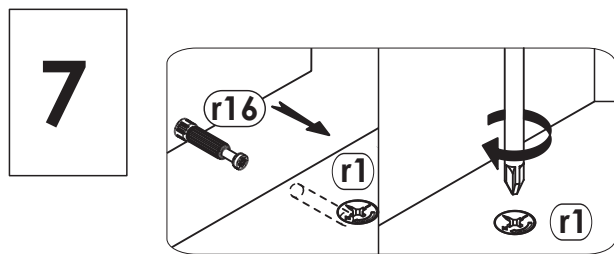
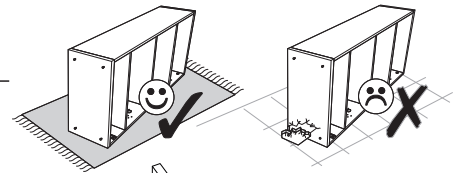
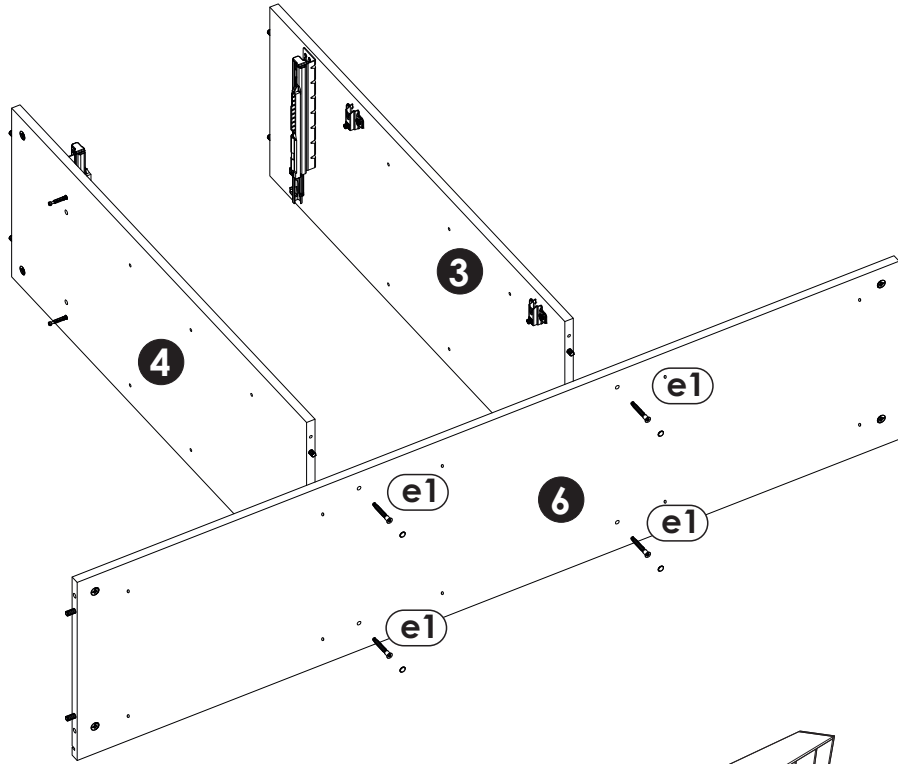
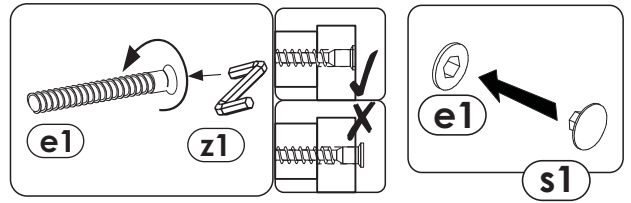
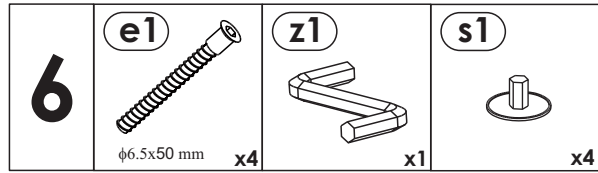
4	e2  φ6.3x13 mm x12	b6  x6	r16  x17	f1  φ8x30 mm x4	n401  x6	p8  φ4x25 mm x12
----------	---	--	--	--	--	---



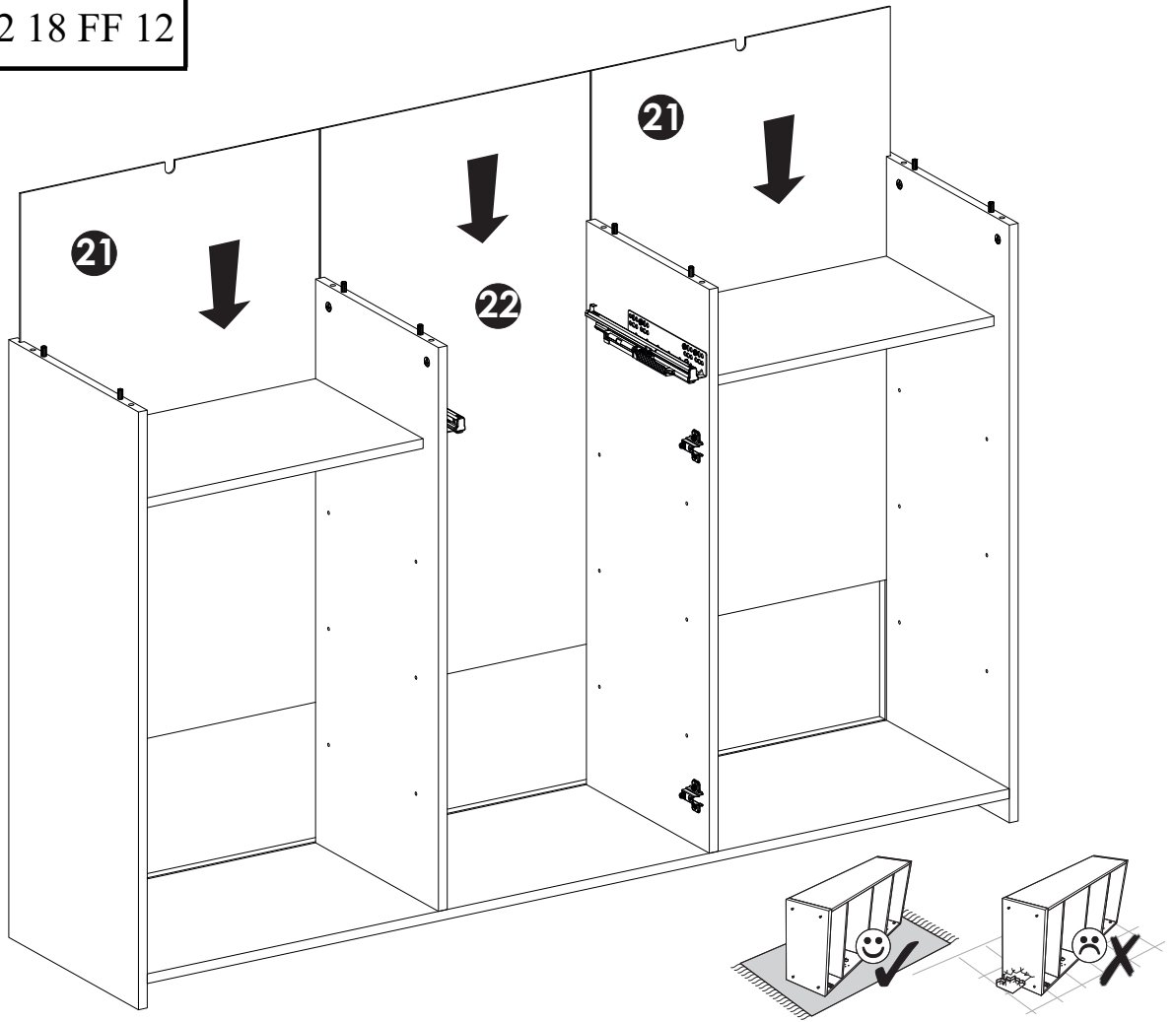
Nature One 32 18 FF 12

5	p1  φ3.5x13 mm	a6 	a2 
	x16	x6	x2

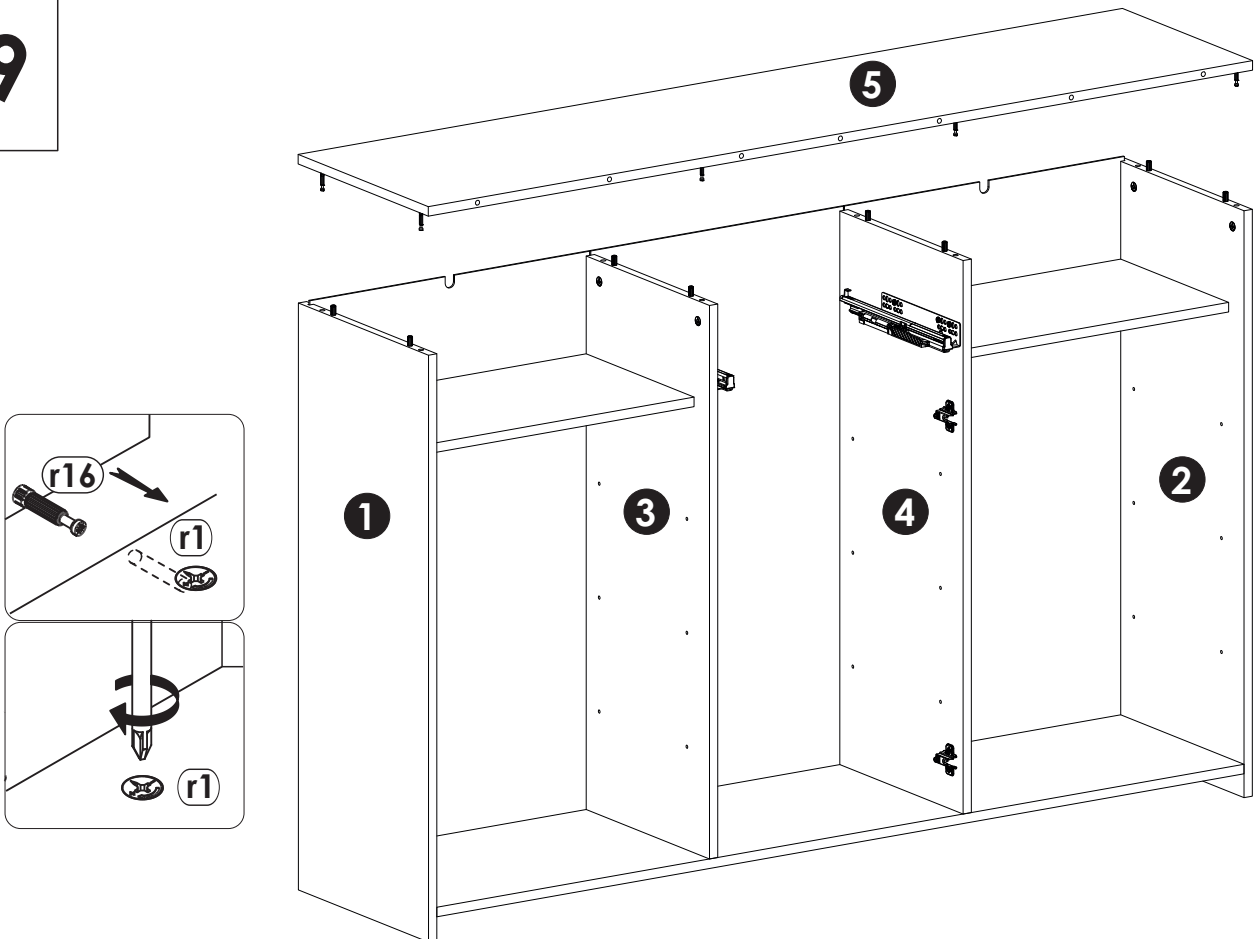




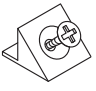

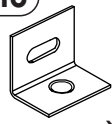
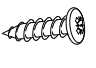
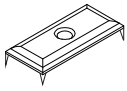
8

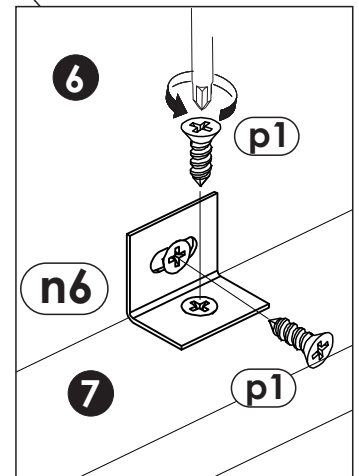
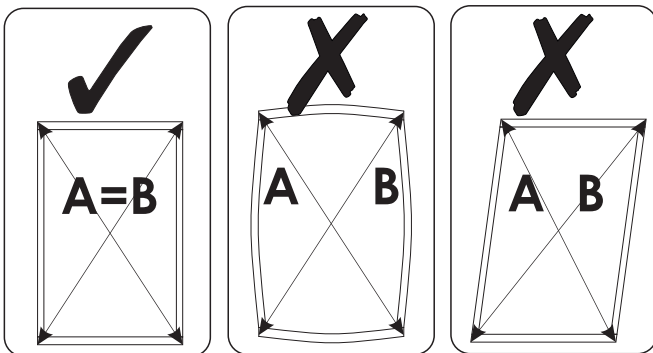
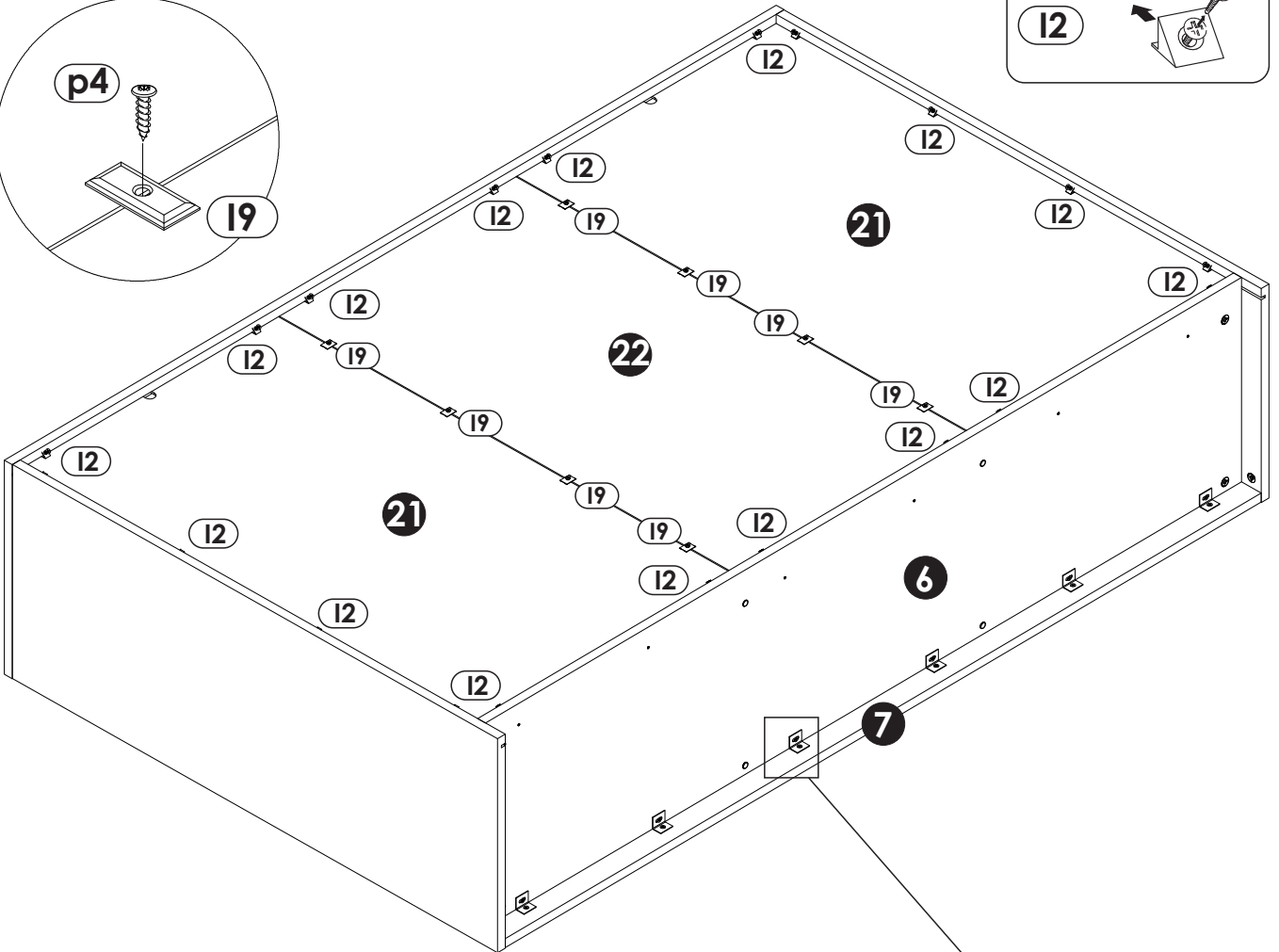
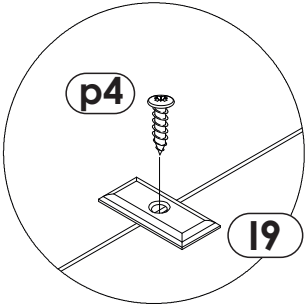
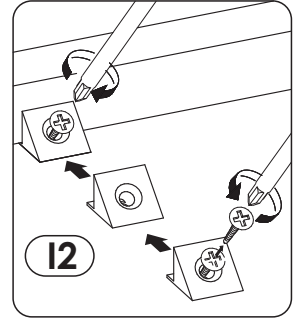
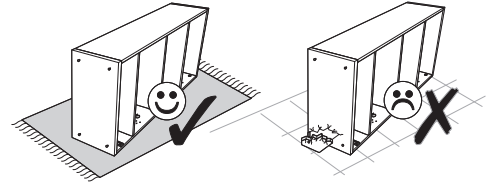


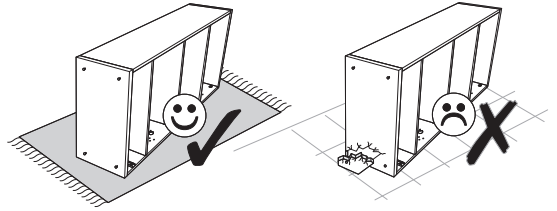
9

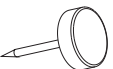

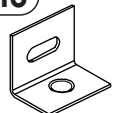


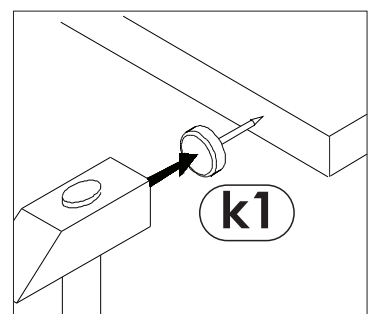
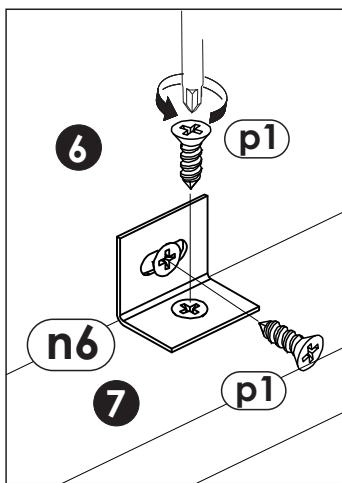
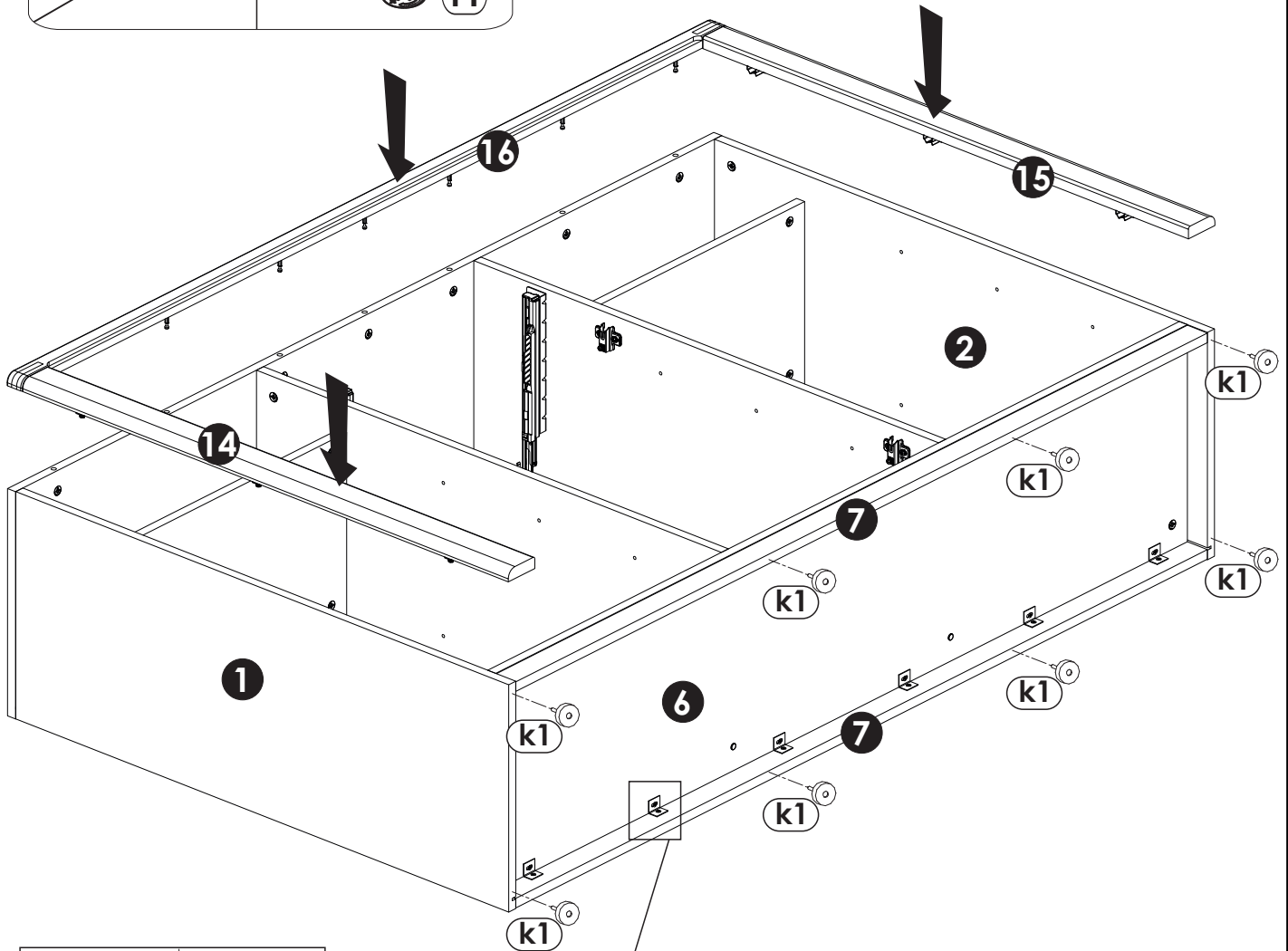
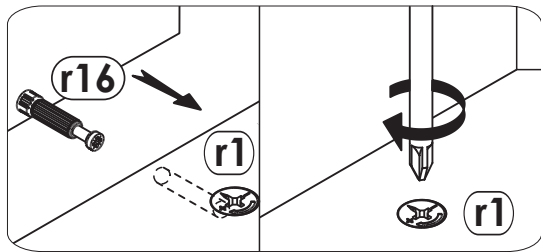
10

<p>l2</p>  <p>x20</p>	<p>p1</p>  <p>φ3.5x13 mm x12</p>	<p>n6</p>  <p>x6</p>
<p>p4</p>  <p>φ3.5x16 mm x8</p>	<p>l9</p>  <p>x8</p>	





11	k1  x8	p1  φ3.5x13 mm x12	n6  x6
-----------	--	--	--



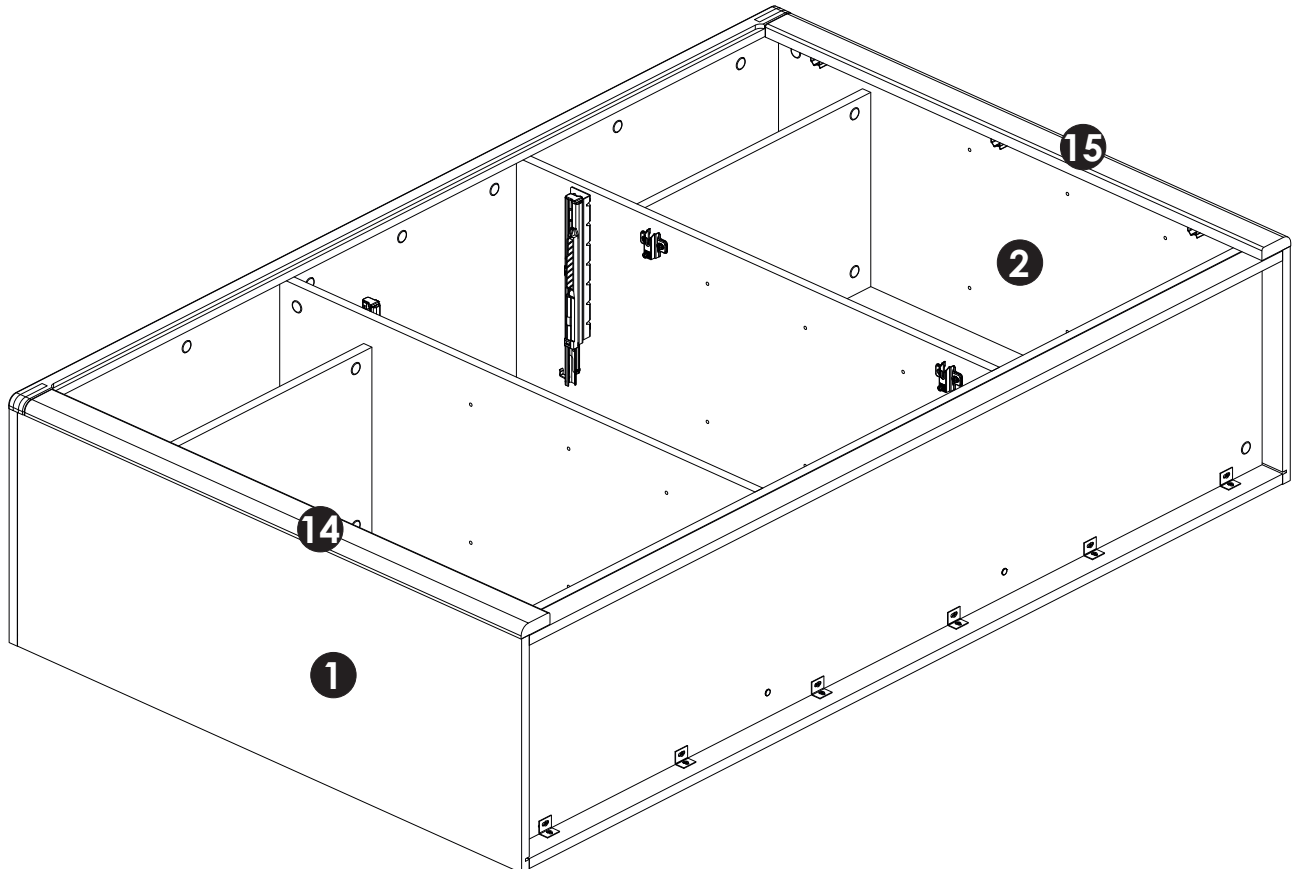
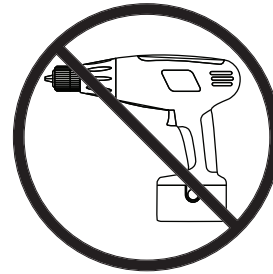
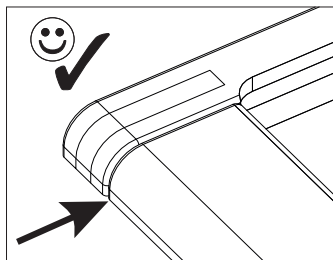
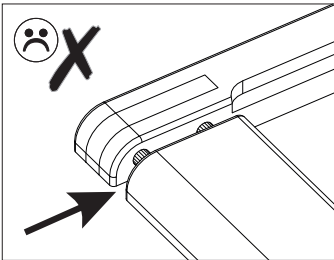
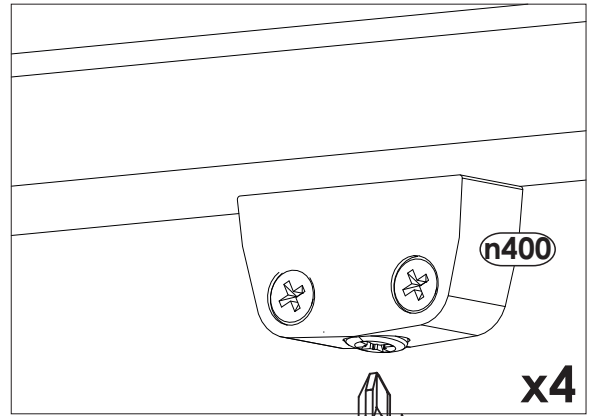
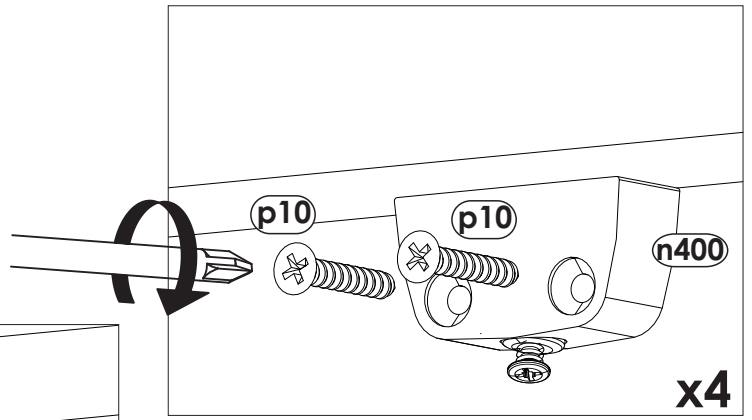
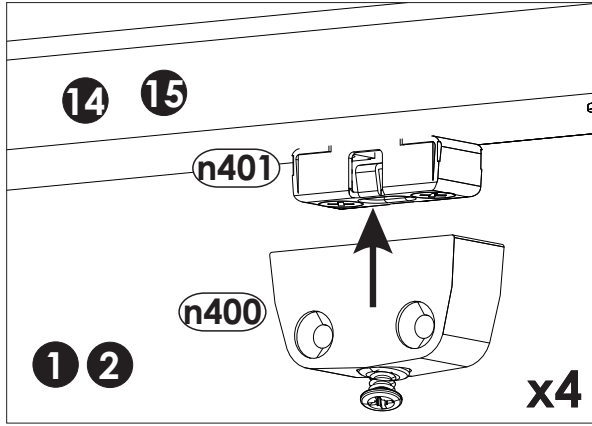
12

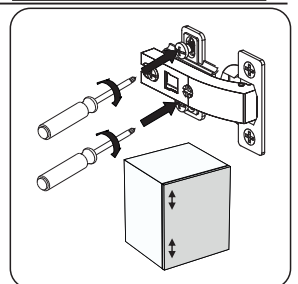
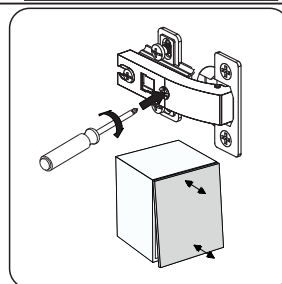
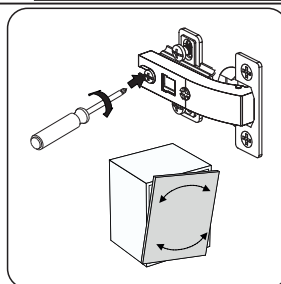
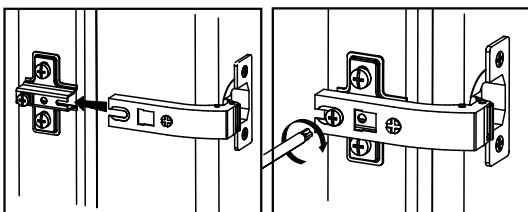
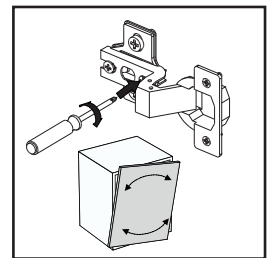
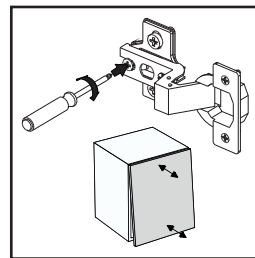
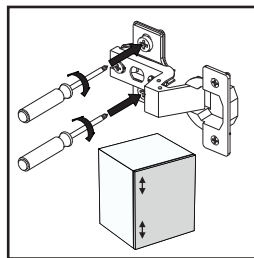
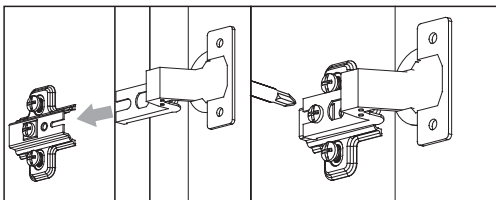
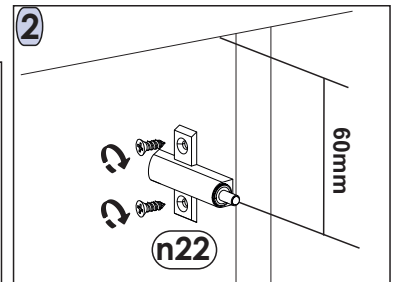
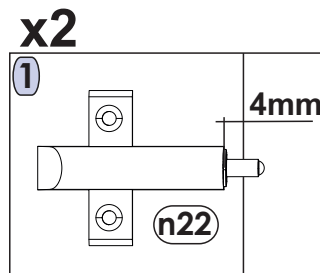
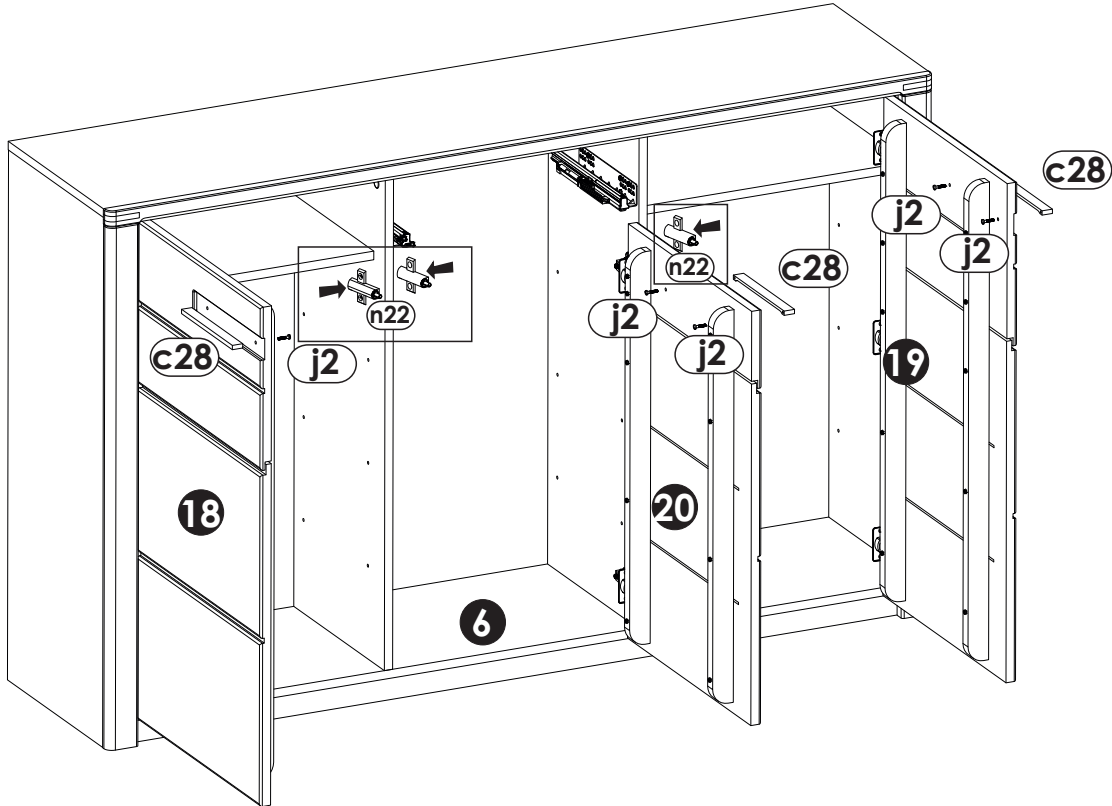
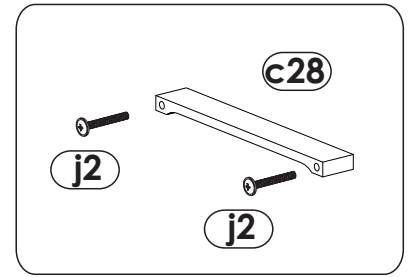
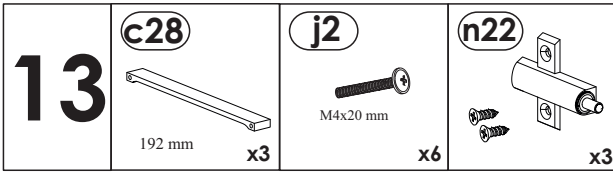


x6


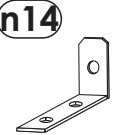




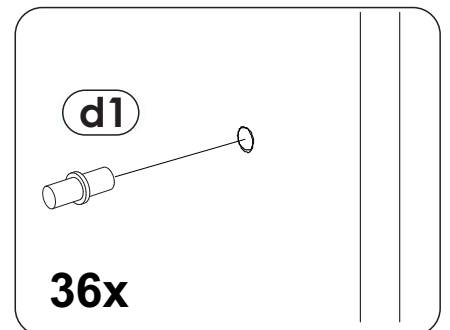
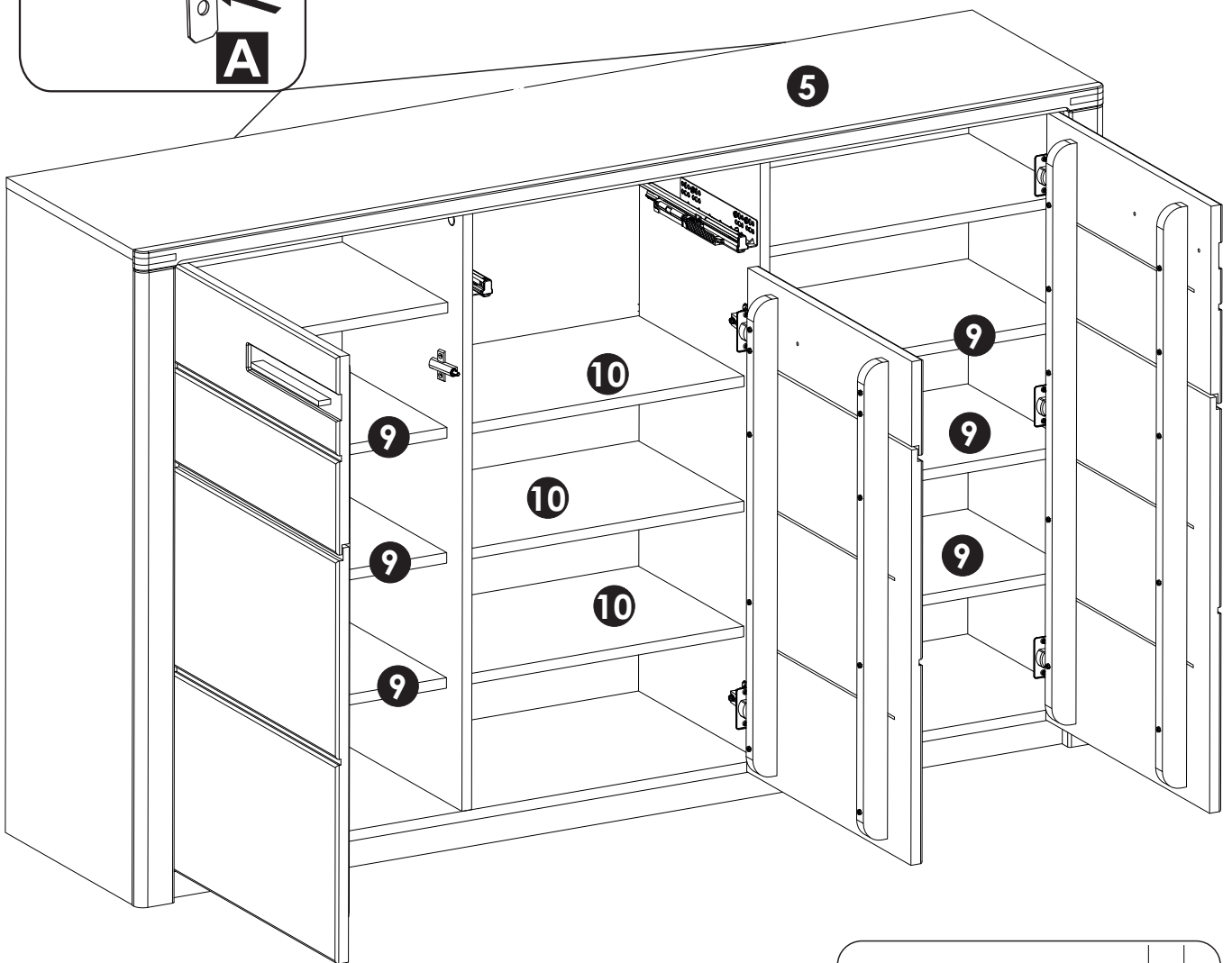
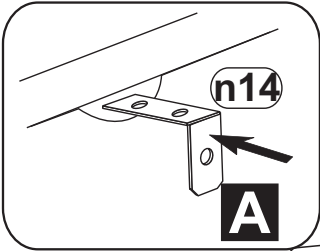
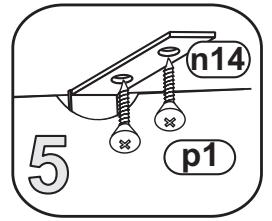
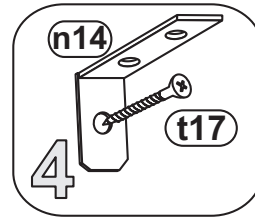
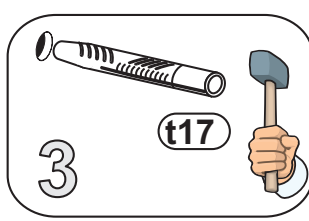
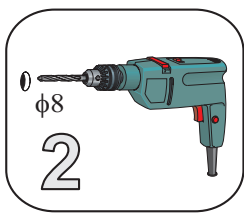
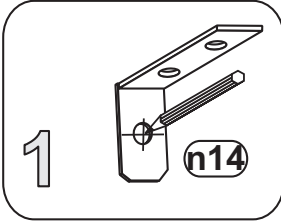
x12

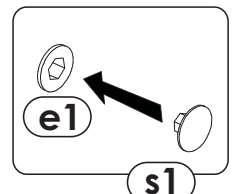
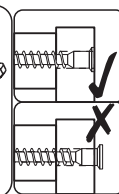
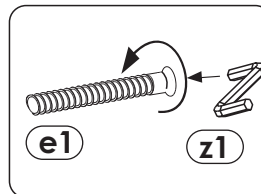
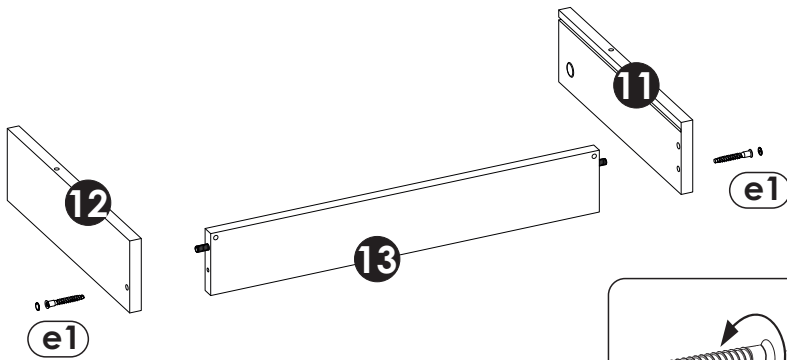
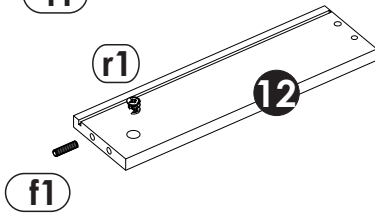
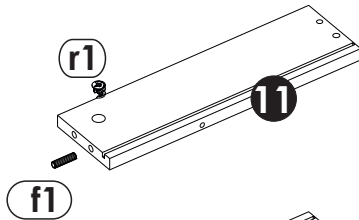
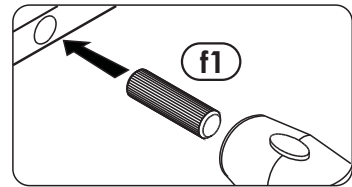
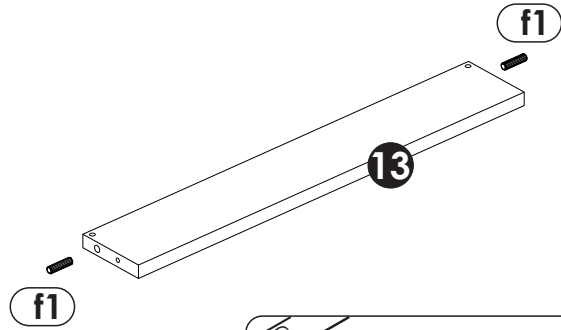
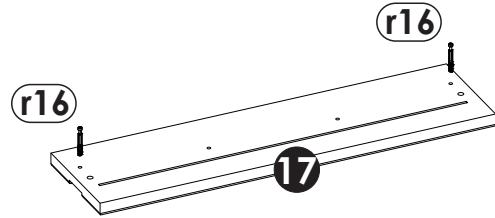
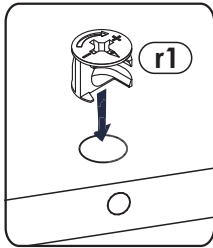
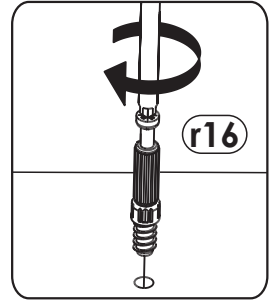
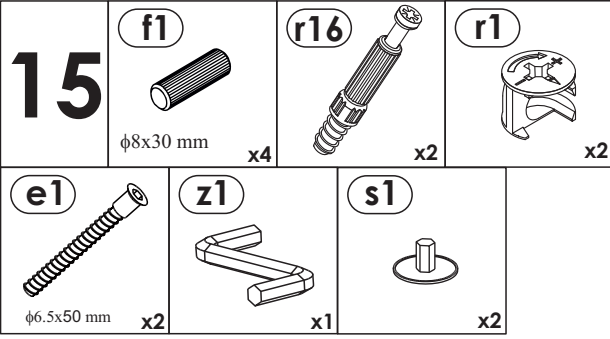


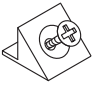



Nature One 32 18 FF 12

14	 t17 φ8x50 mm x2	 n14 x2	 p1 φ3.5x13 mm x4	 d1 φ5x17 mm x36
-----------	---	---	--	---





16	l2  x2	p1  φ3.5x13 mm x3
-----------	--	--

