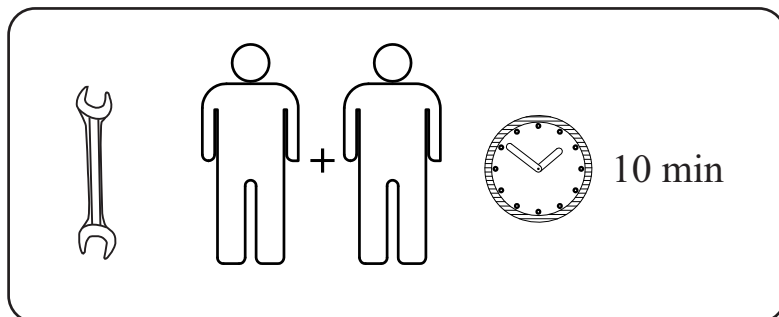
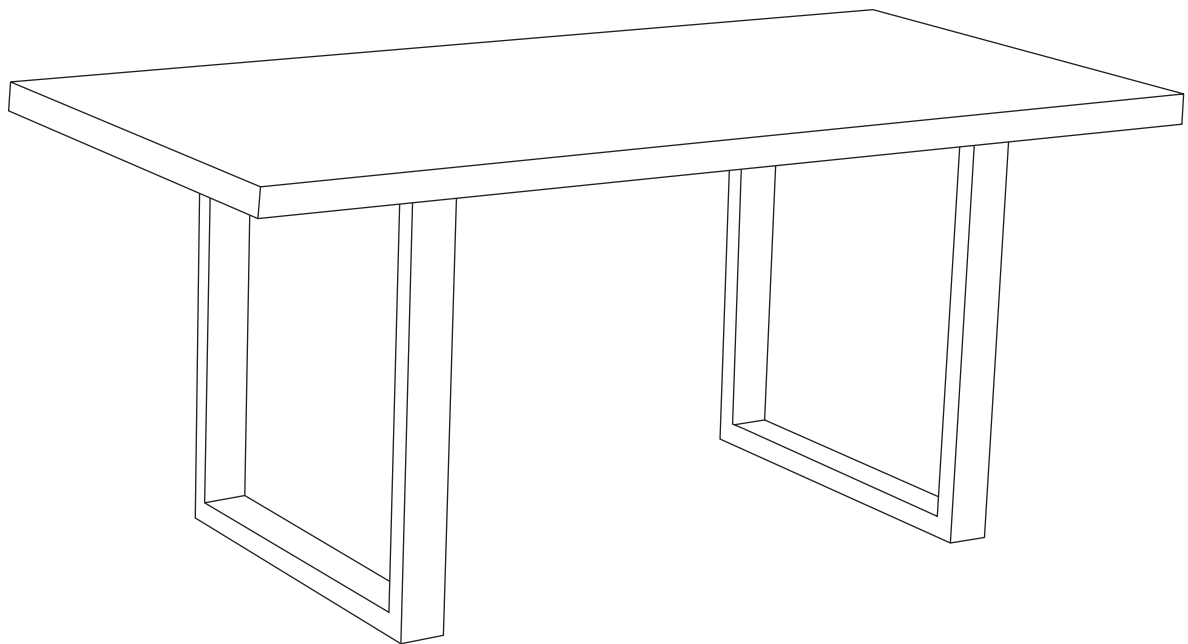
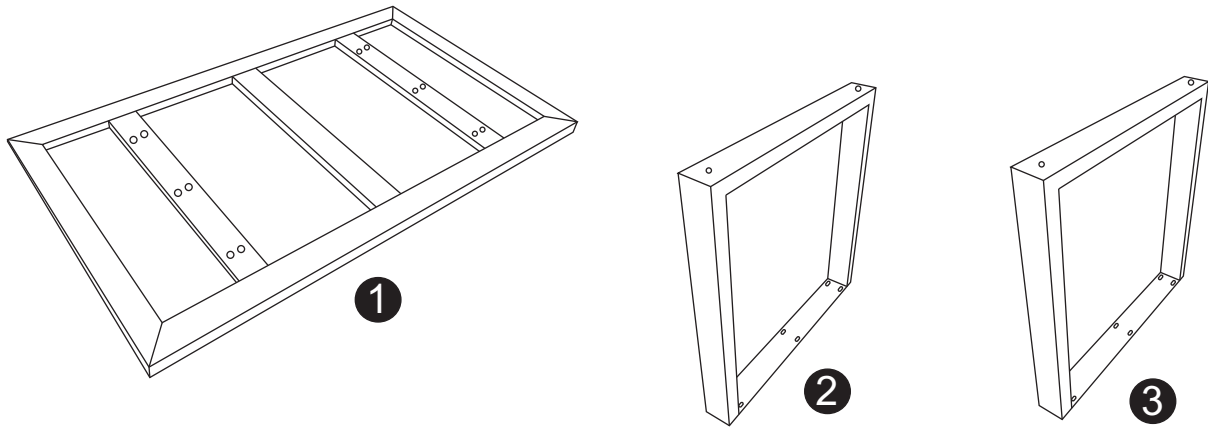


Article # 4034802101

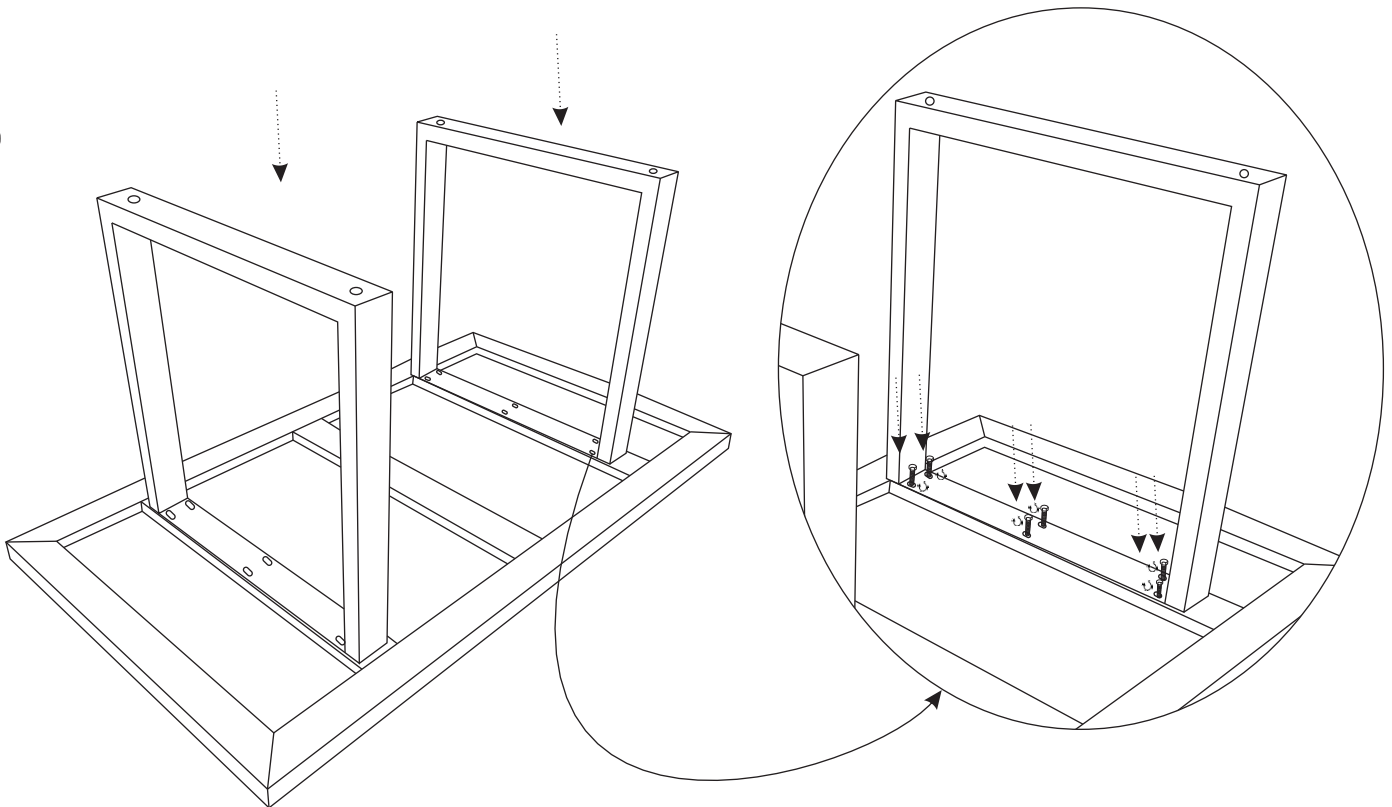





Article # 4034802101

A



B



A  Ø8X30 MM X12	B  M10 X12	C  12-13 X1
--------------------------------------------------------------------------------------------------------------------	---------------------------------------------------------------------------------------------------------------	----------------------------------------------------------------------------------------------------------------