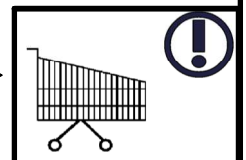
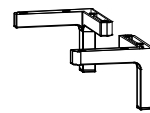
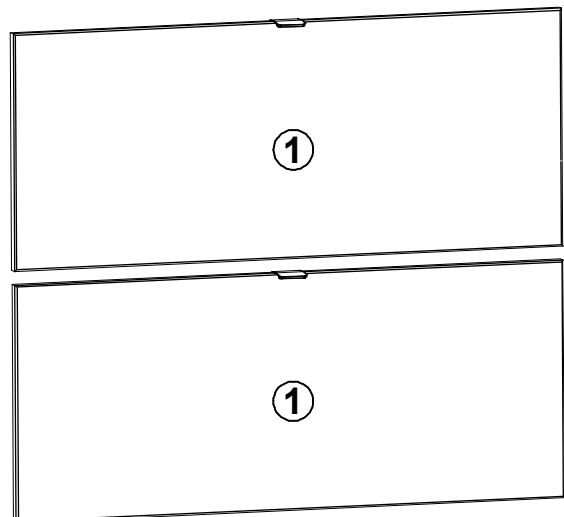
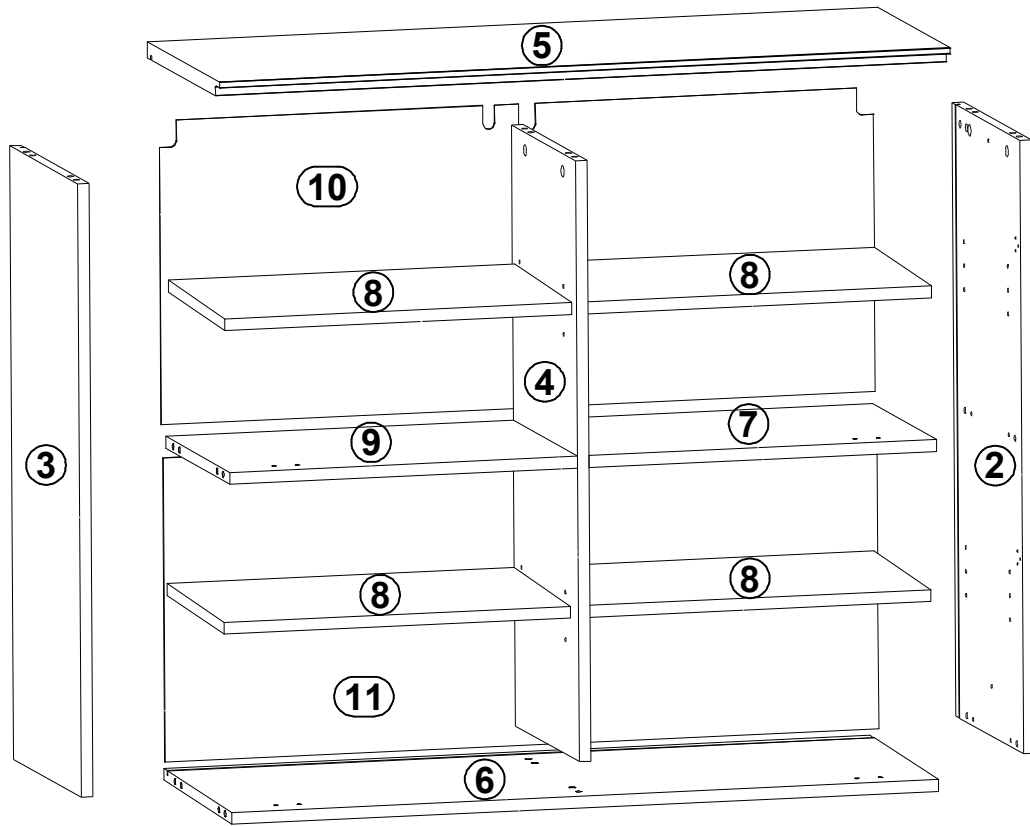
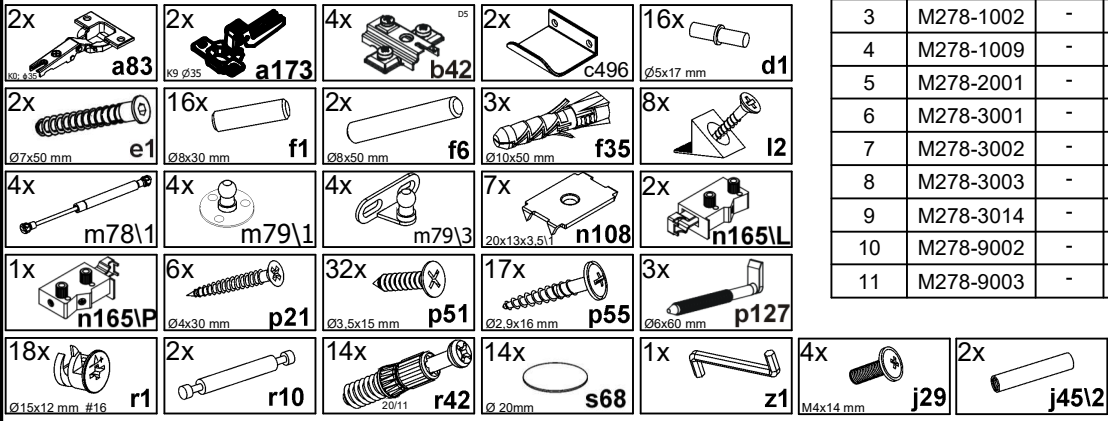


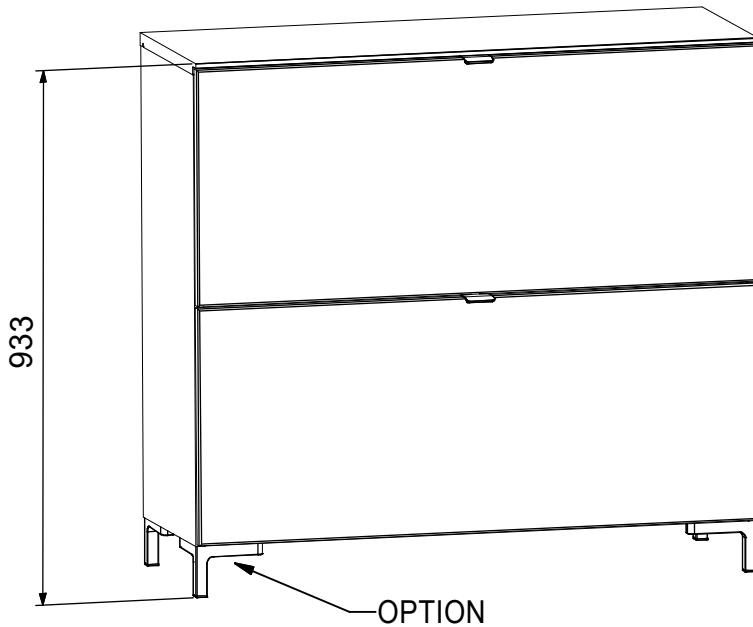
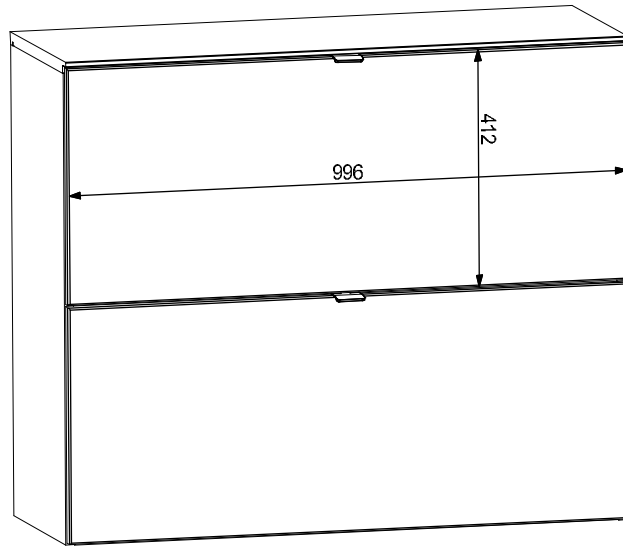
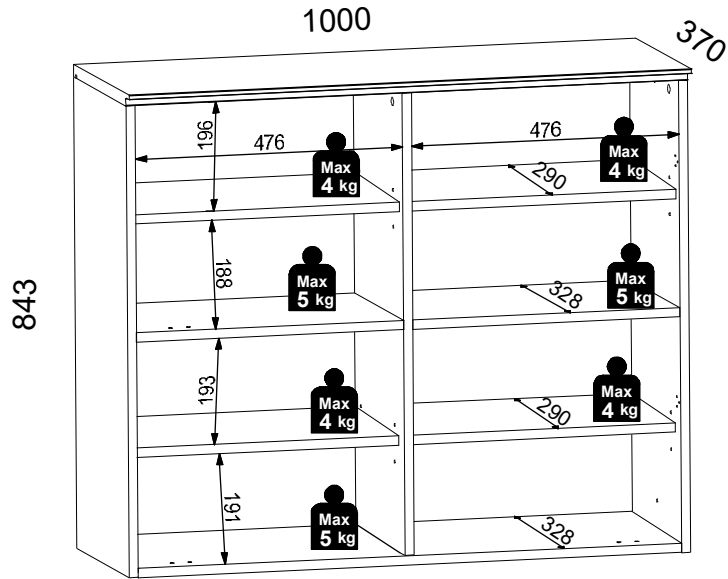
OPTION
99 03 01 95





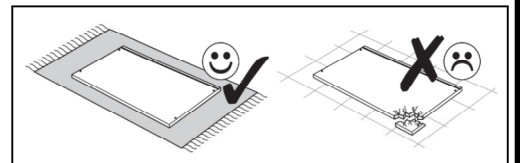
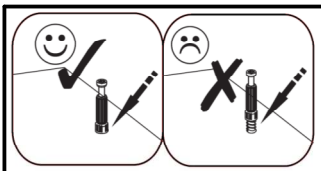
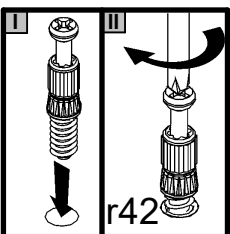
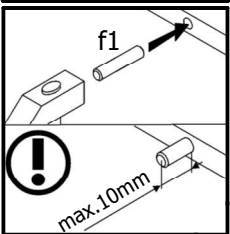
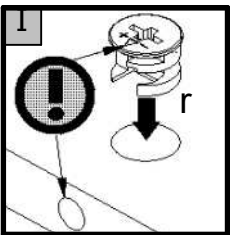
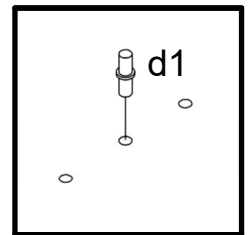
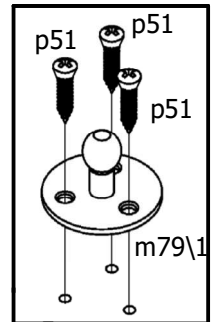
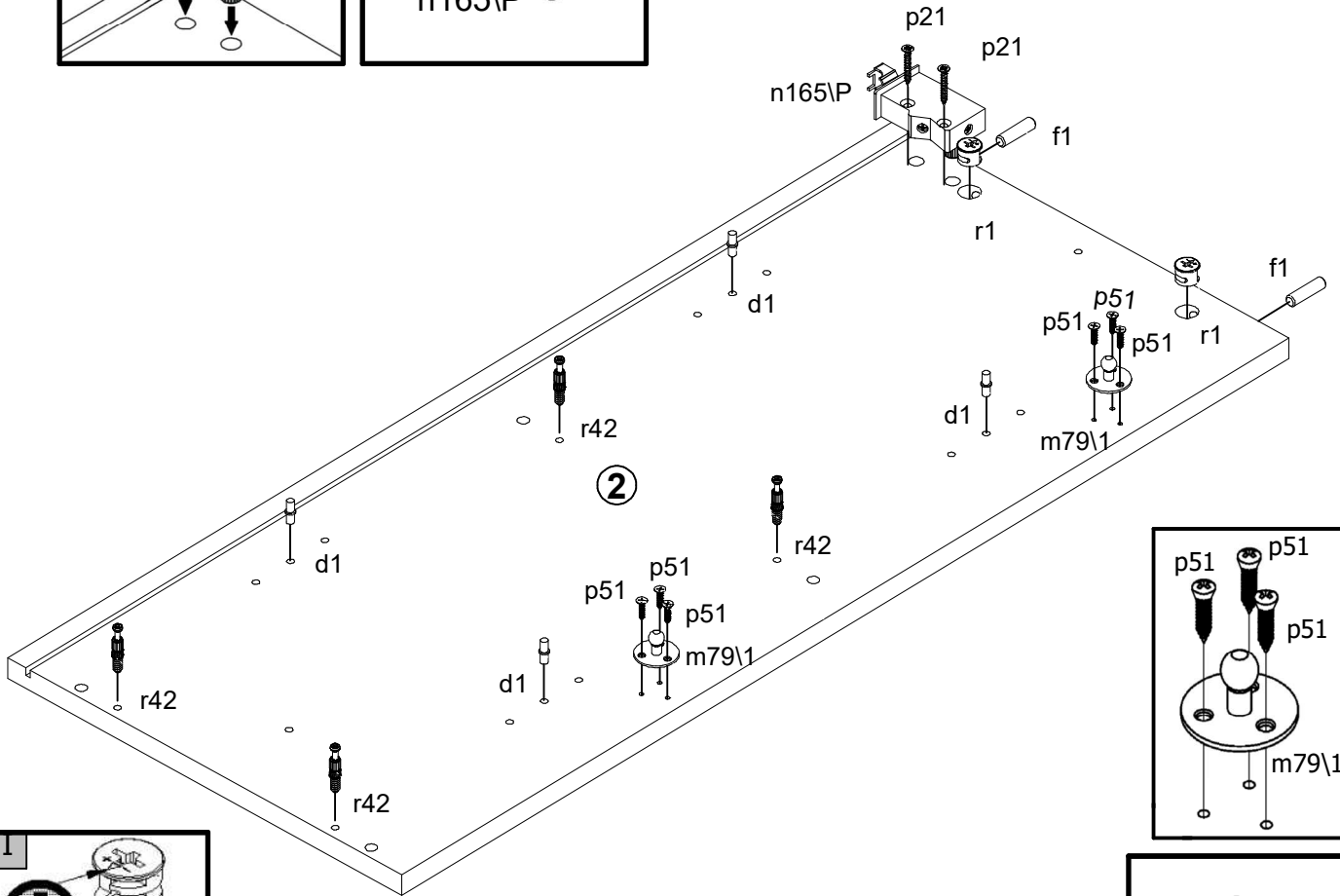
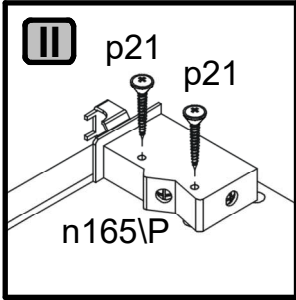
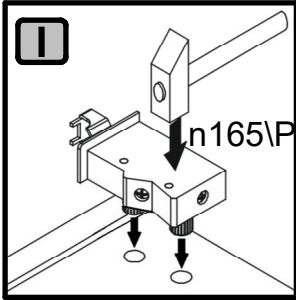
A	B1	B2	C1	C2	C3	C4	D
1	M278-0001	-	996	412	18	2	2/2
2	M278-1001	-	821	348	16	1	1/2
3	M278-1002	-	821	348	16	1	1/2
4	M278-1009	-	804,5	328	16	1	2/2
5	M278-2001	-	1001	370	22	1	1/2
6	M278-3001	-	968	348	16	1	1/2
7	M278-3002	-	476	328	16	1	1/2
8	M278-3003	-	475	290	16	4	1/2
9	M278-3014	-	476	328	16	1	1/2
10	M278-9002	-	978	407	2,5	1	2/2
11	M278-9003	-	978	407	2,5	1	2/2





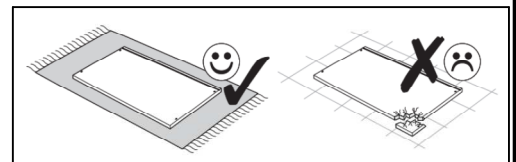
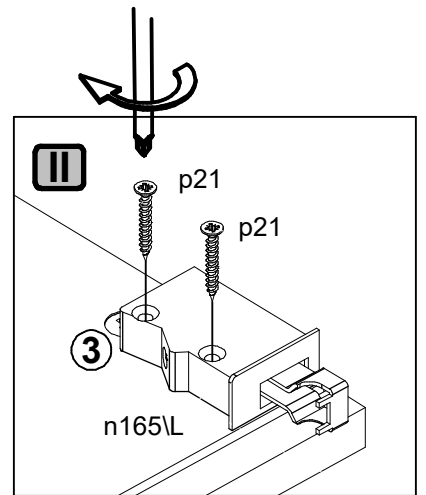
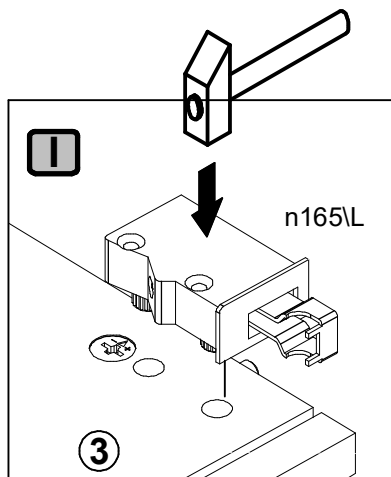
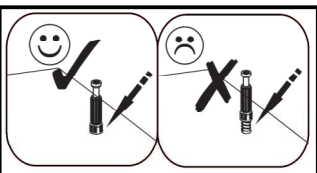
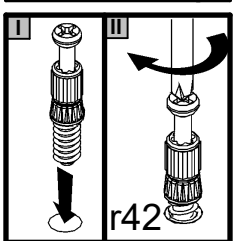
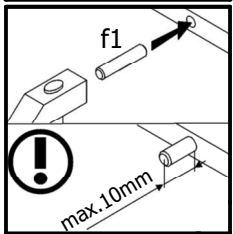
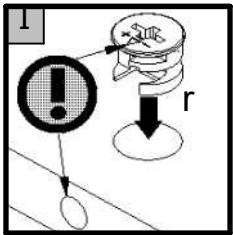
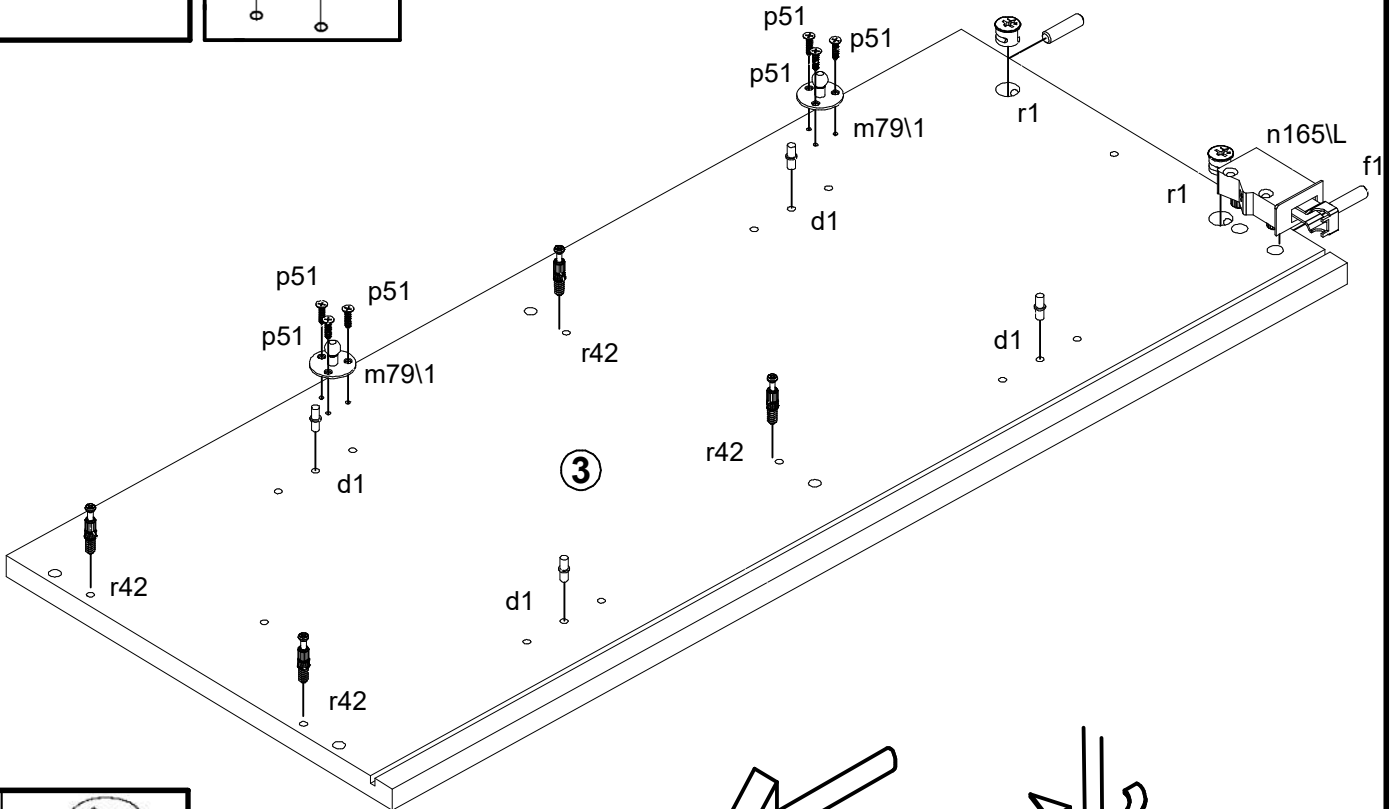
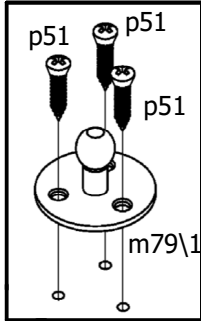
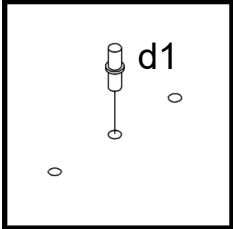
1 ▶

- 2x $\varnothing 8 \times 30$ mm f1
- 2x $\varnothing 15 \times 12$ mm #16 r1
- 4x 20/11 r42
- 2x m79\1
- 6x $\varnothing 3.5 \times 15$ mm p51
- 4x $\varnothing 5 \times 17$ mm d1
- 1x n165\P
- 2x $\varnothing 4 \times 30$ mm p21



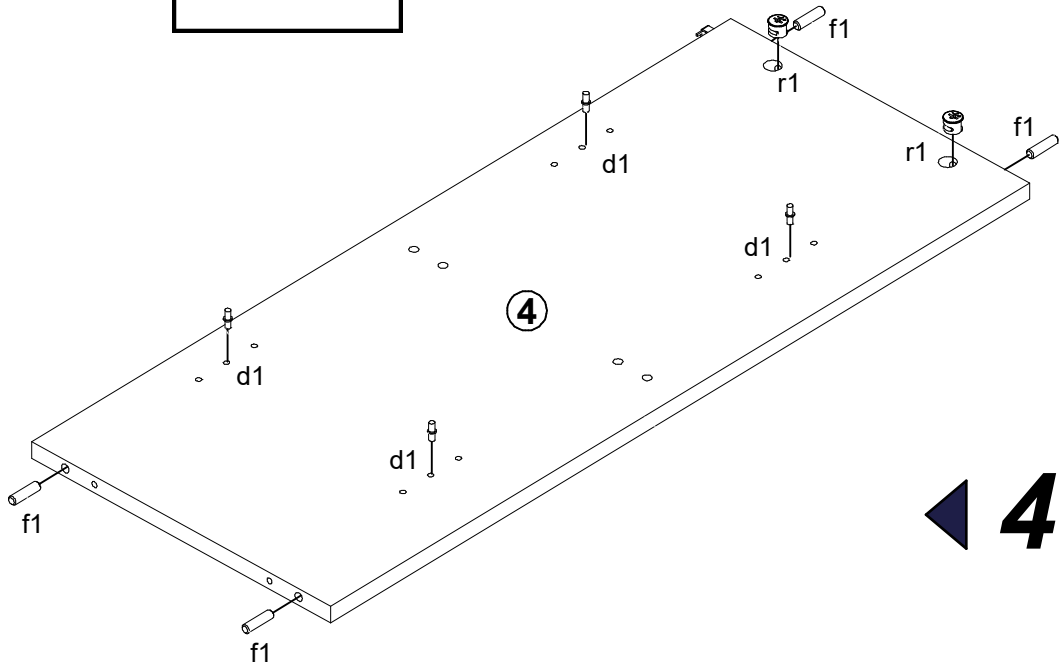
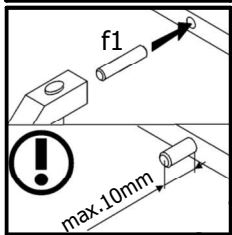
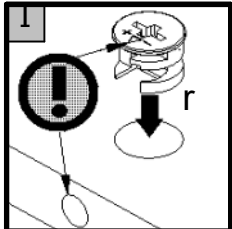
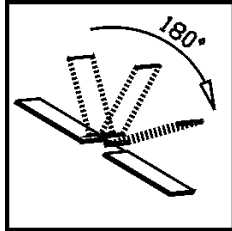
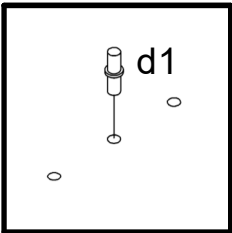
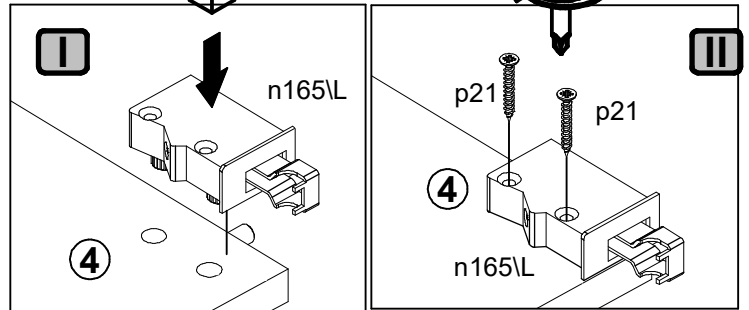
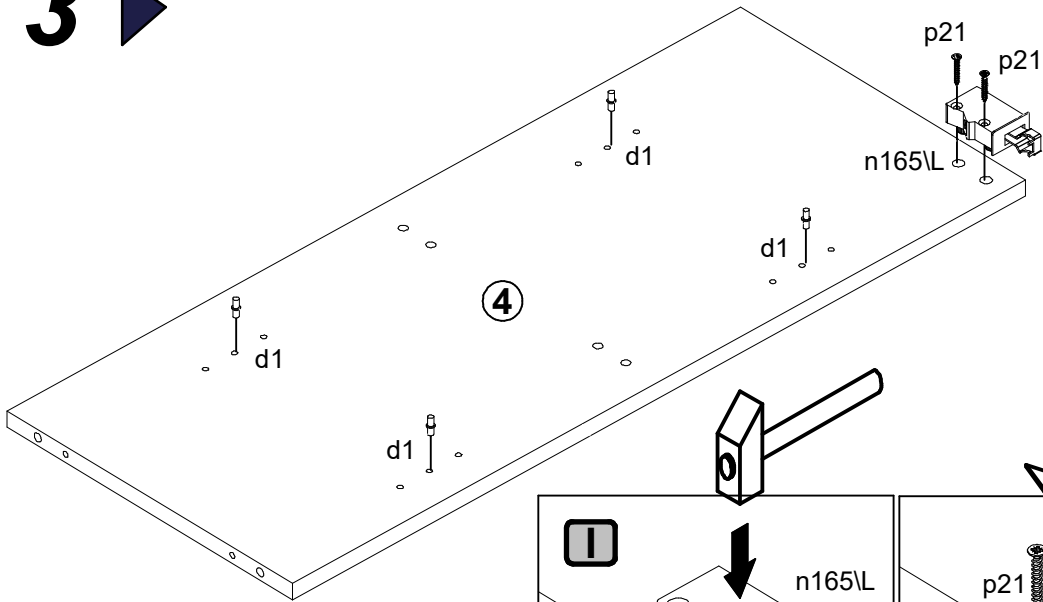
2 ▶

- 2x $\varnothing 8 \times 30$ mm f1
- 2x $\varnothing 15 \times 12$ mm #16 r1
- 4x 20/11 r42
- 2x m79\1
- 6x $\varnothing 3.5 \times 15$ mm p51
- 4x $\varnothing 5 \times 17$ mm d1
- 1x n165\L
- 2x $\varnothing 4 \times 30$ mm p21

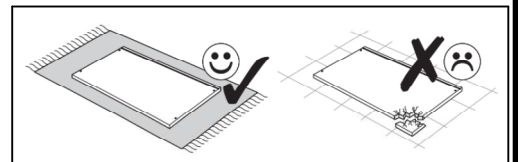


4X Ø8x30 mm f1	2x Ø15x12 mm #16 r1	1x n165L	8X Ø5x17 mm d1
			2x Ø4x30 mm p21

3 ▶

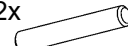



▶ 4




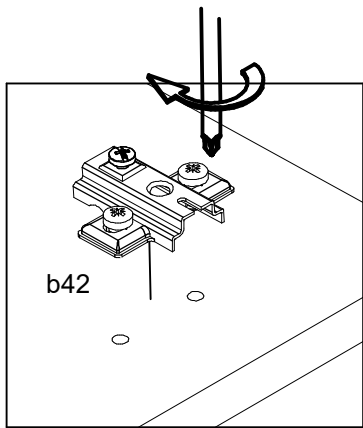
5 ▶

2x  f1
Ø8x30 mm

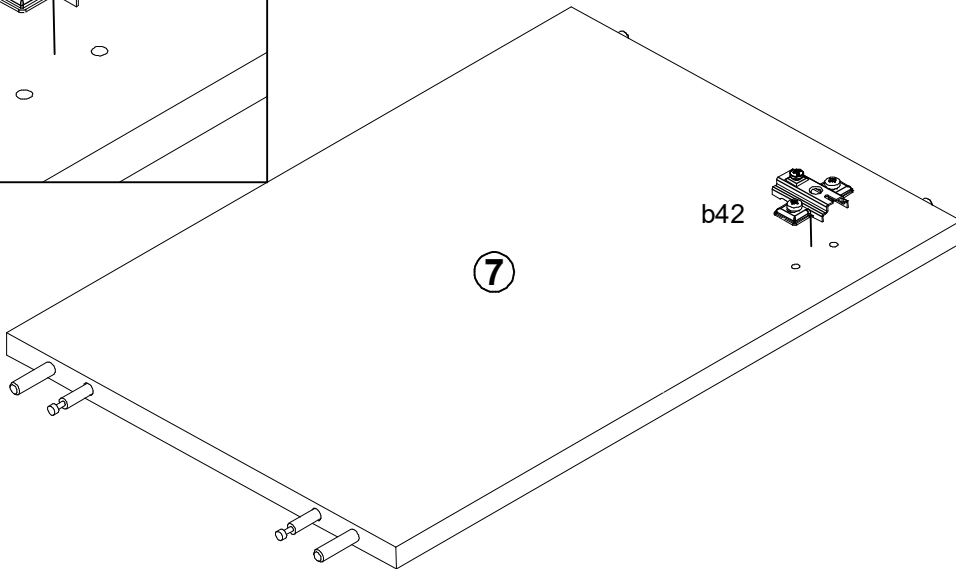
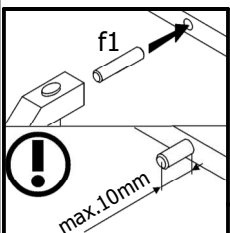
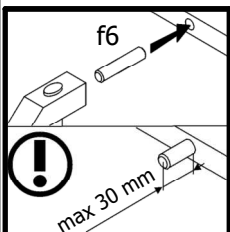
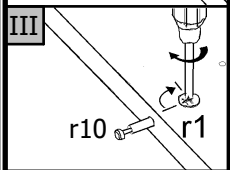
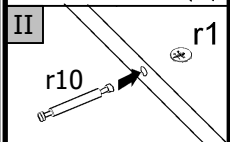
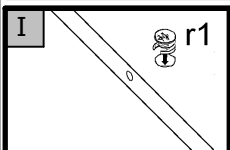
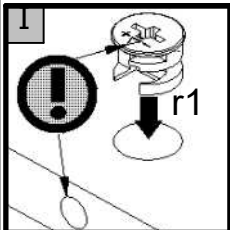
2x  f6
Ø8x50 mm

1x  b42

4x  r1
Ø15x12 mm #16

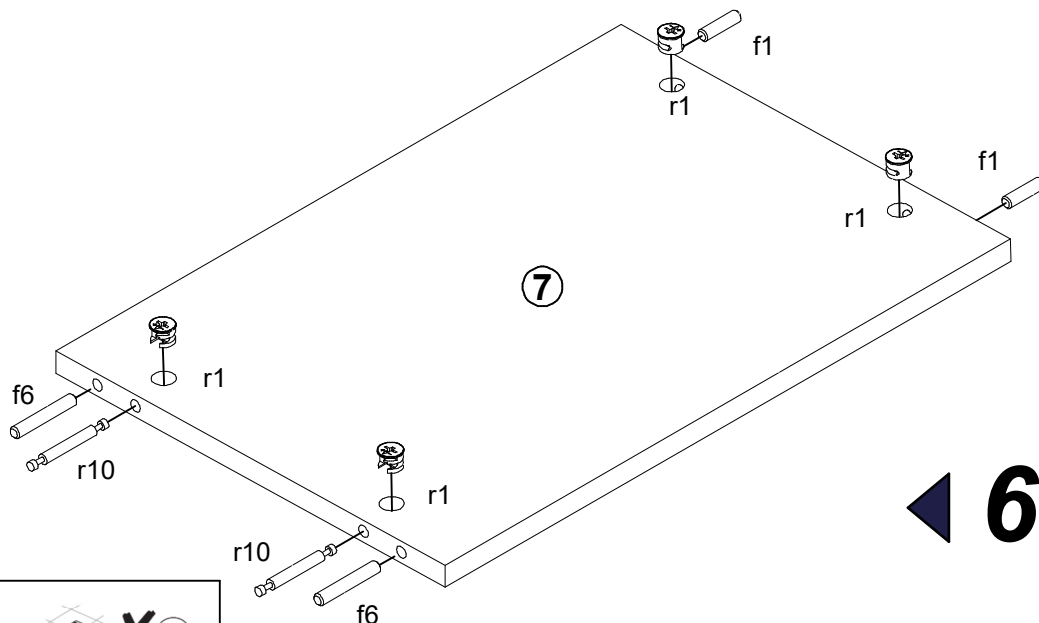
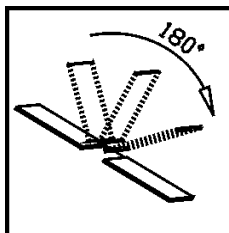


b42



b42

7



f1

r1

r1

f1

7

f6

r1

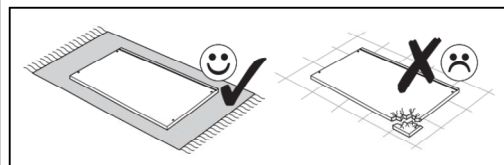
r10

r1

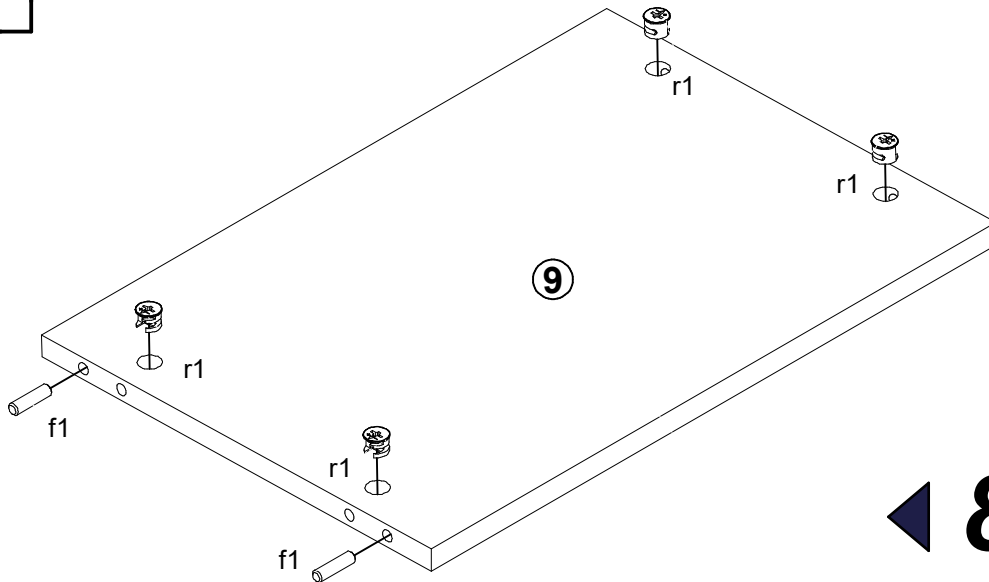
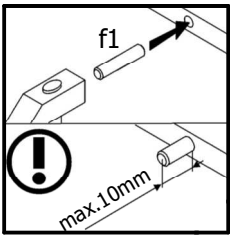
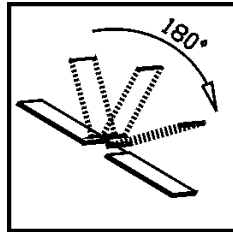
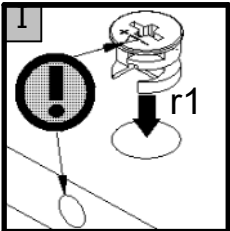
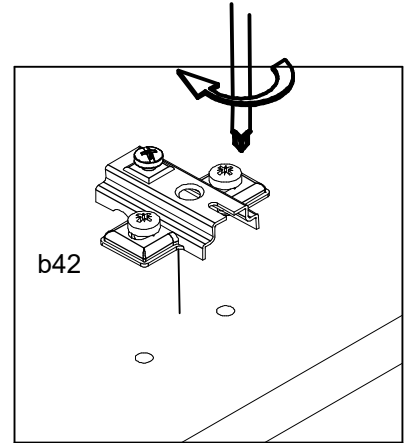
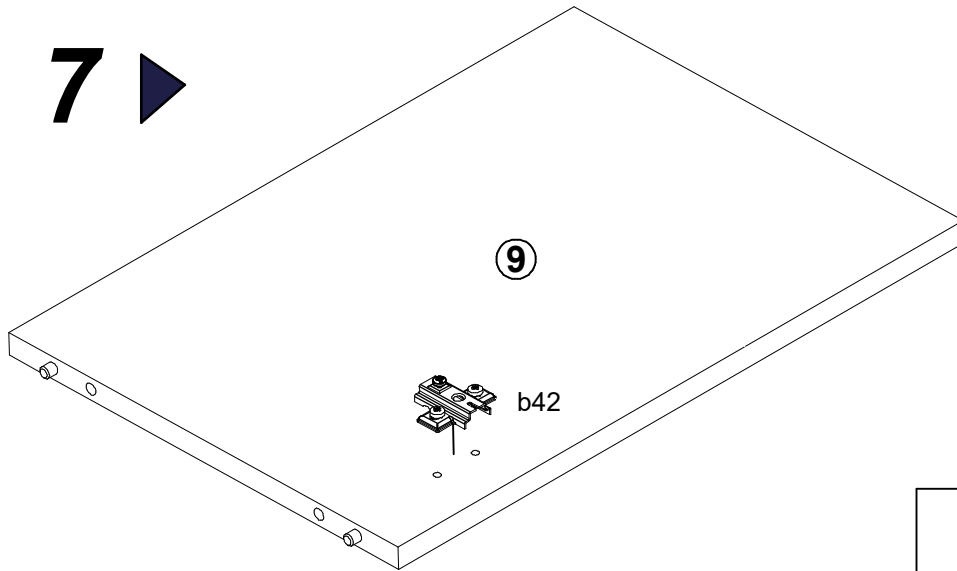
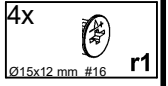
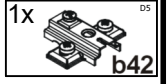
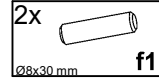
r10

f6

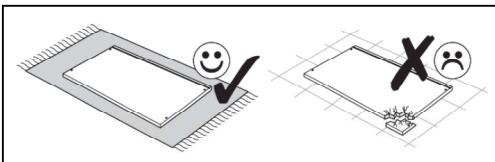
◀ 6



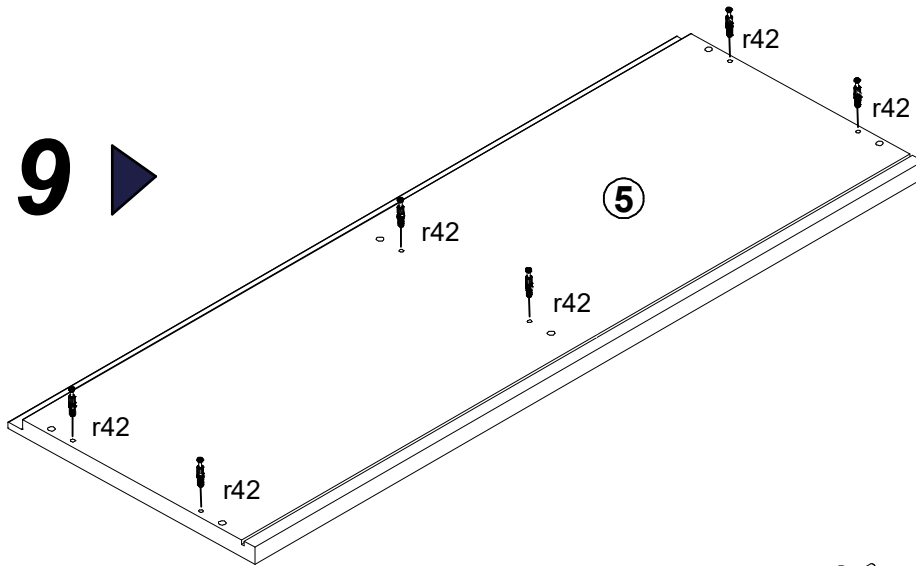
7 ▶







◀ 8

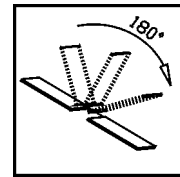
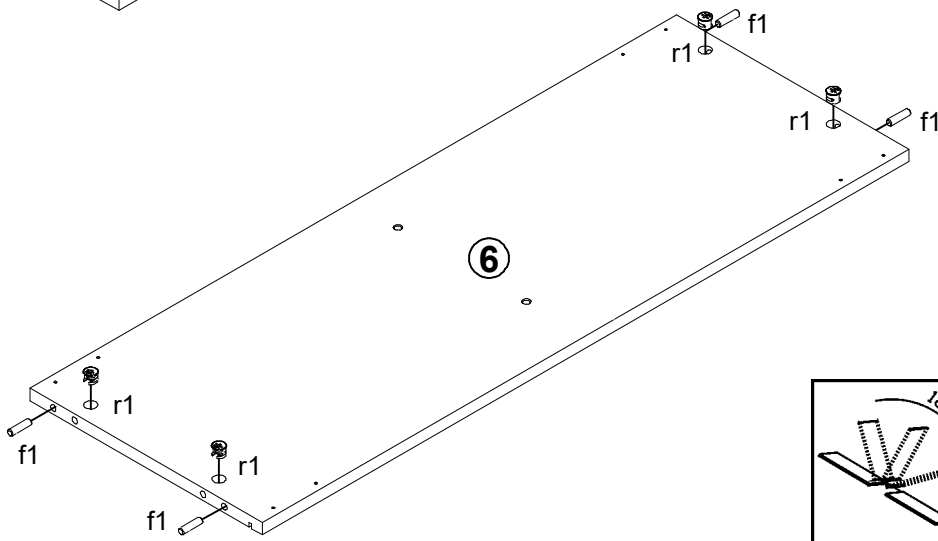


9 ▶

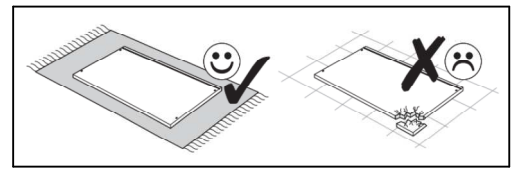
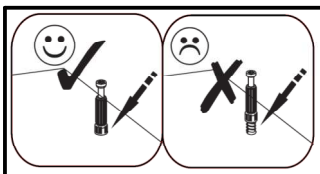
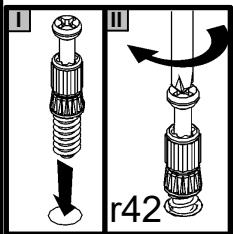
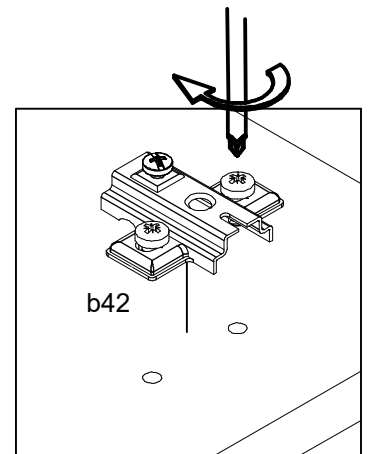
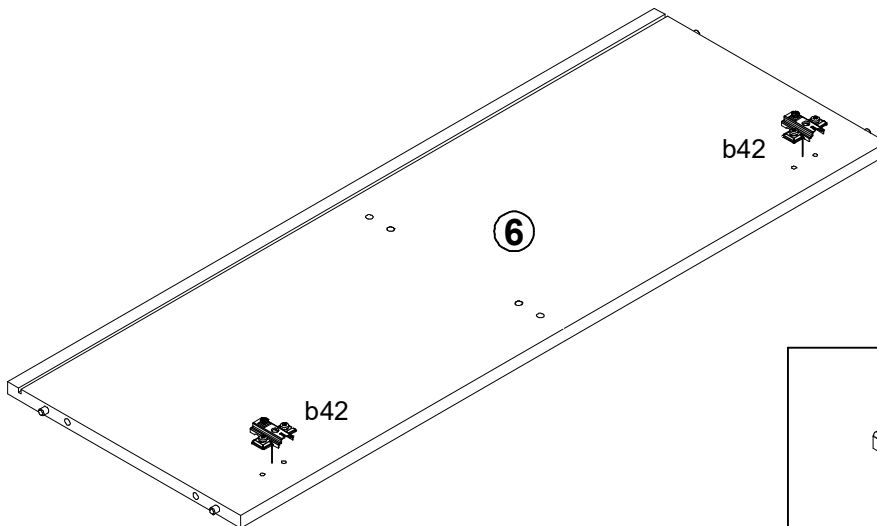


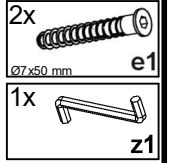
- 6x  r42
- 4x  f1
Ø8x30 mm
- 4x  r1
Ø15x12 mm #16
- 2x  b42

10 ▶

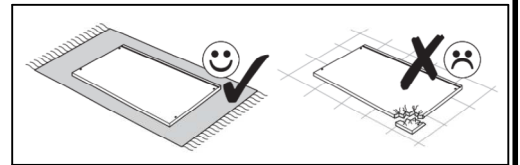
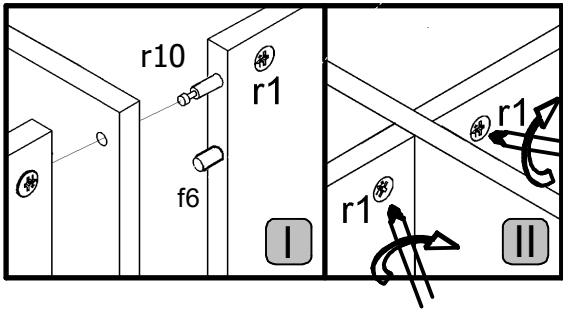
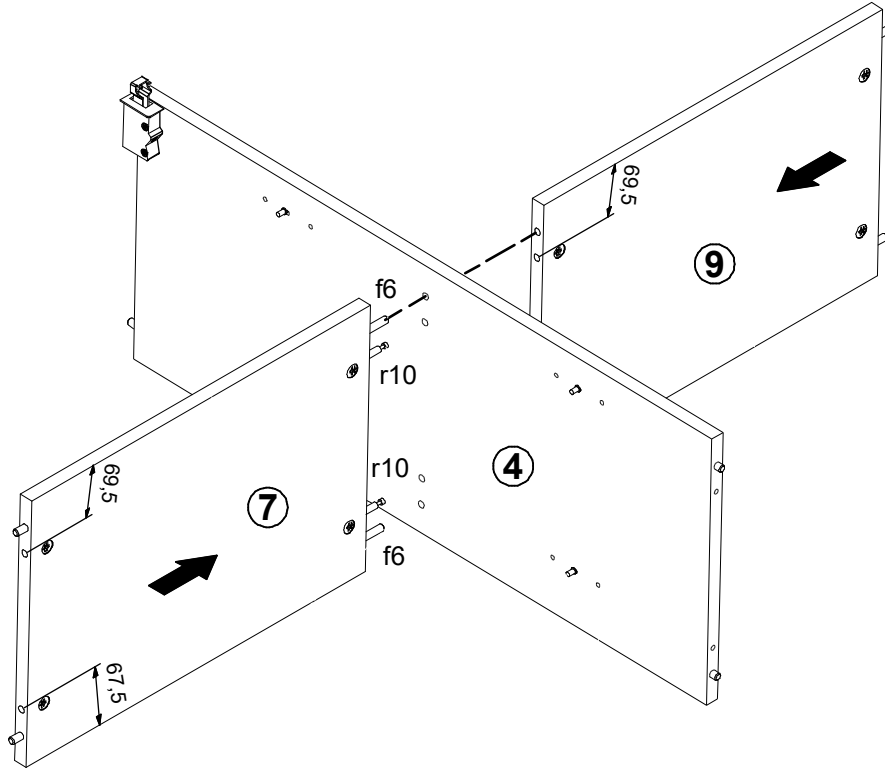


11 ▶

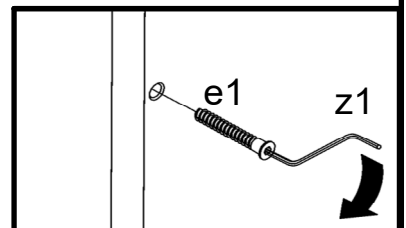
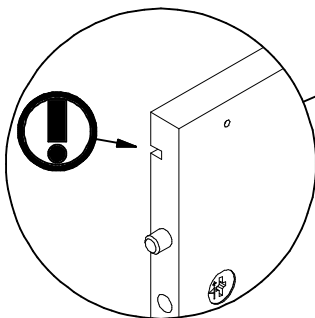
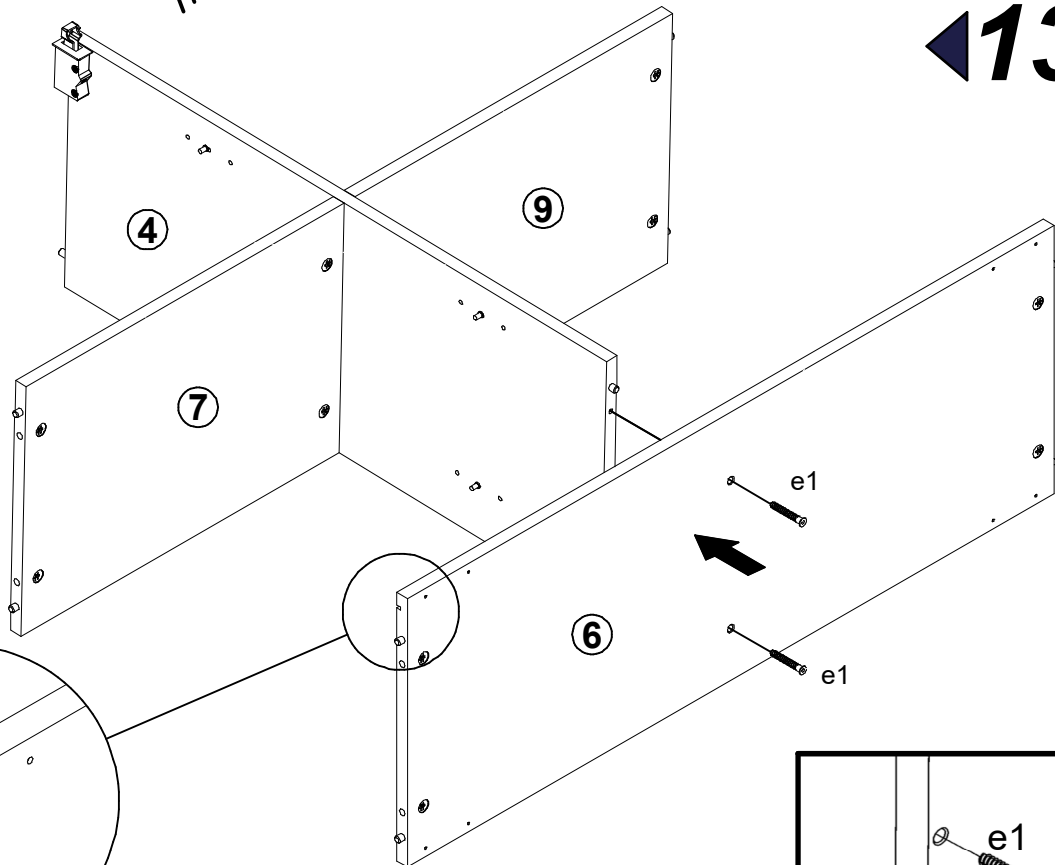




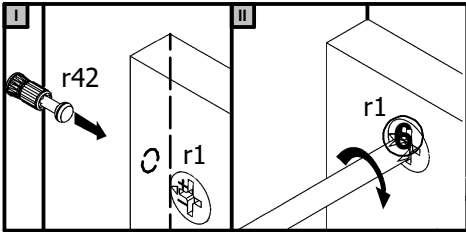
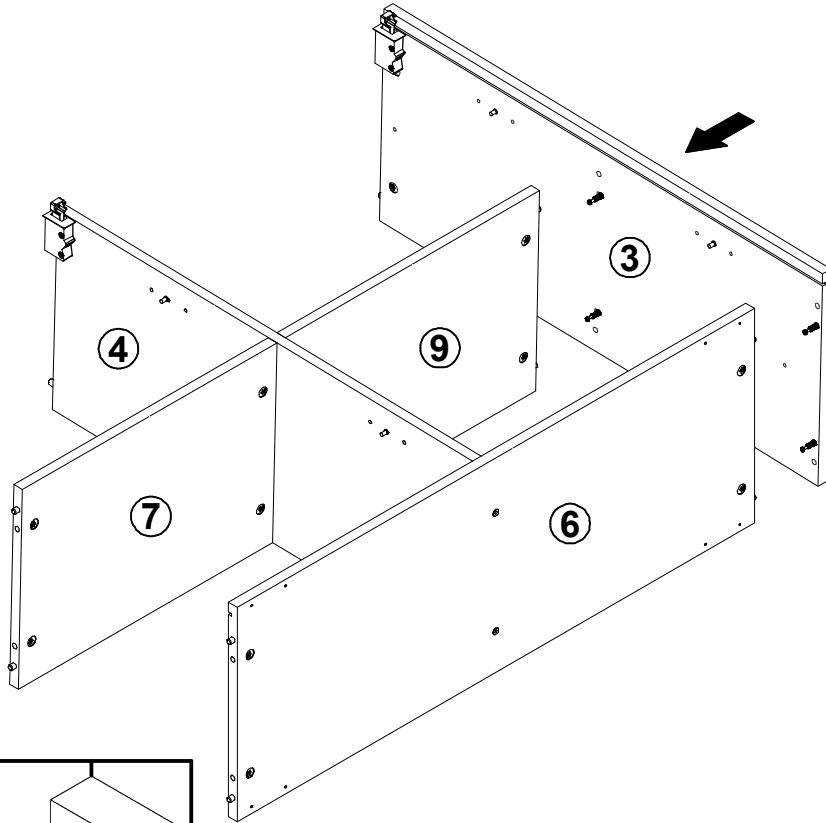
12 ▶



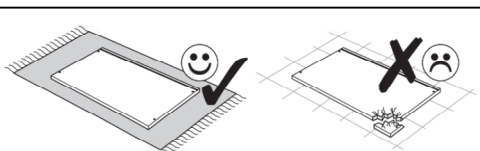
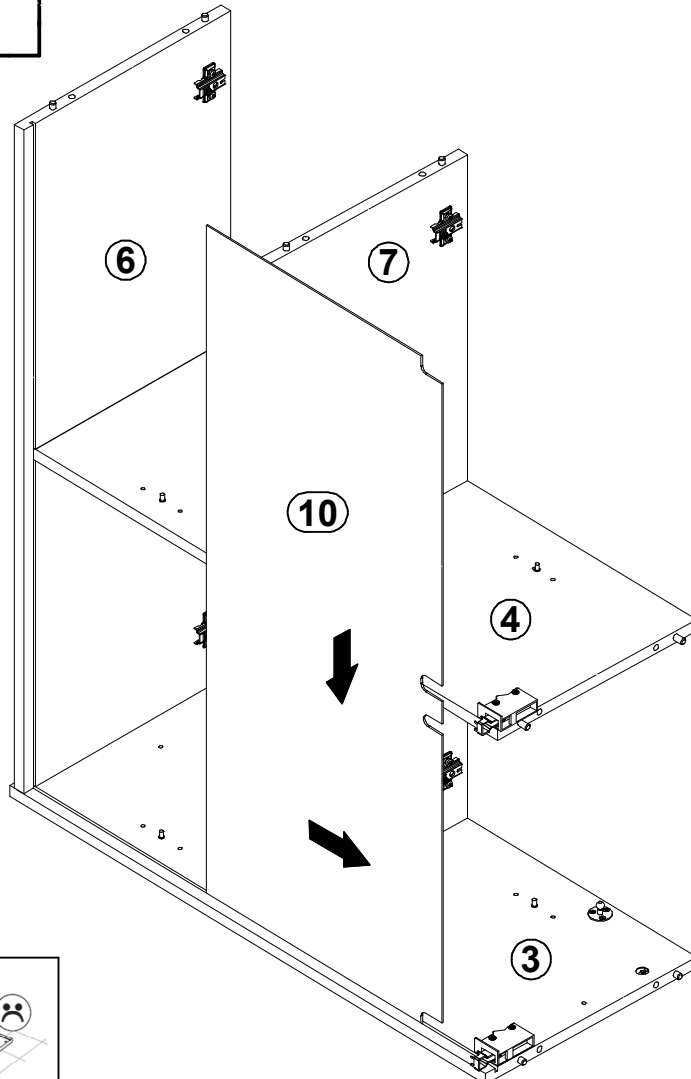
▶ 13



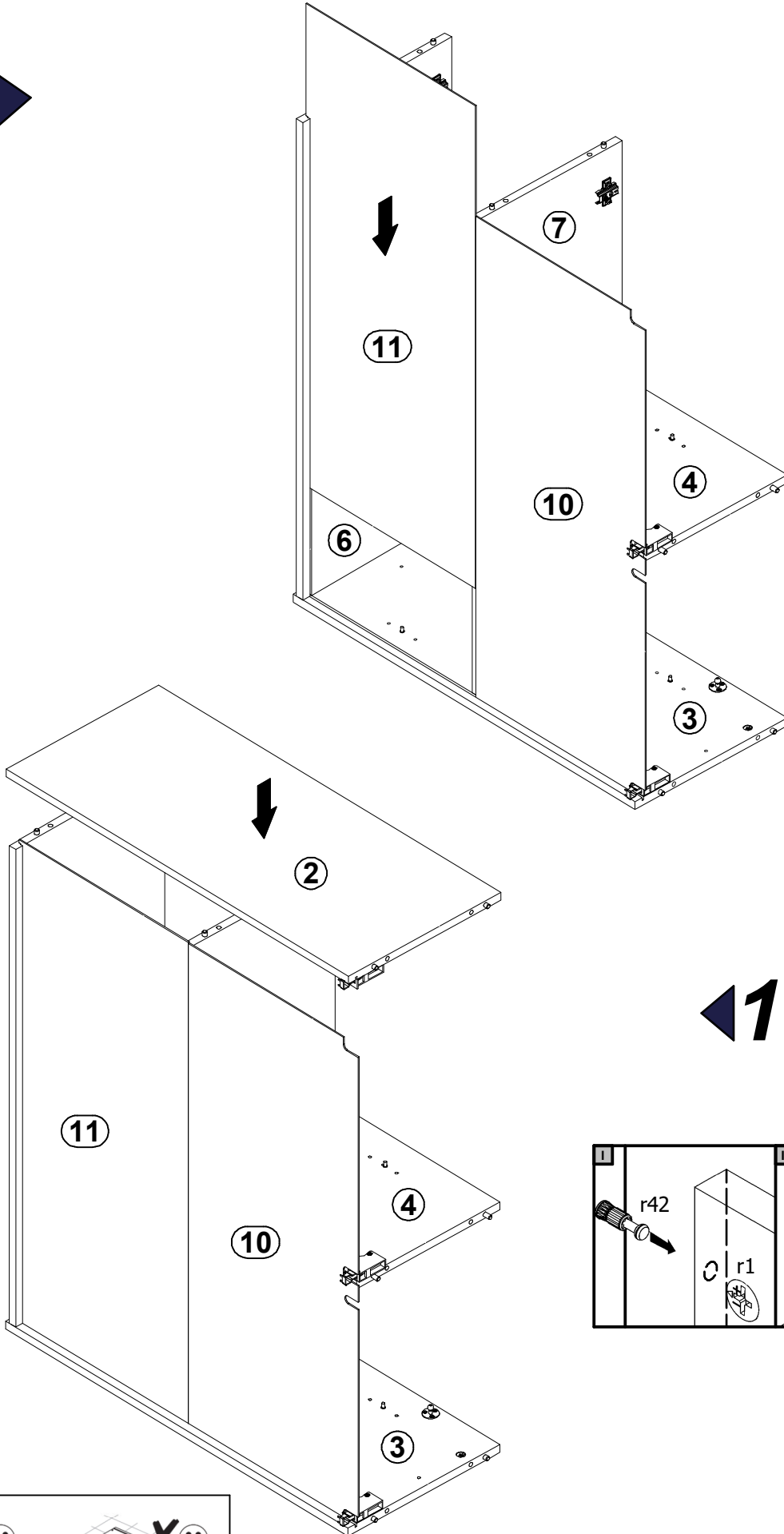
14



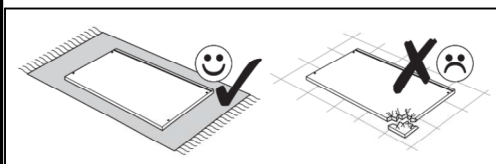
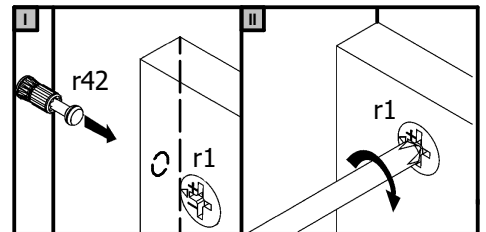
15



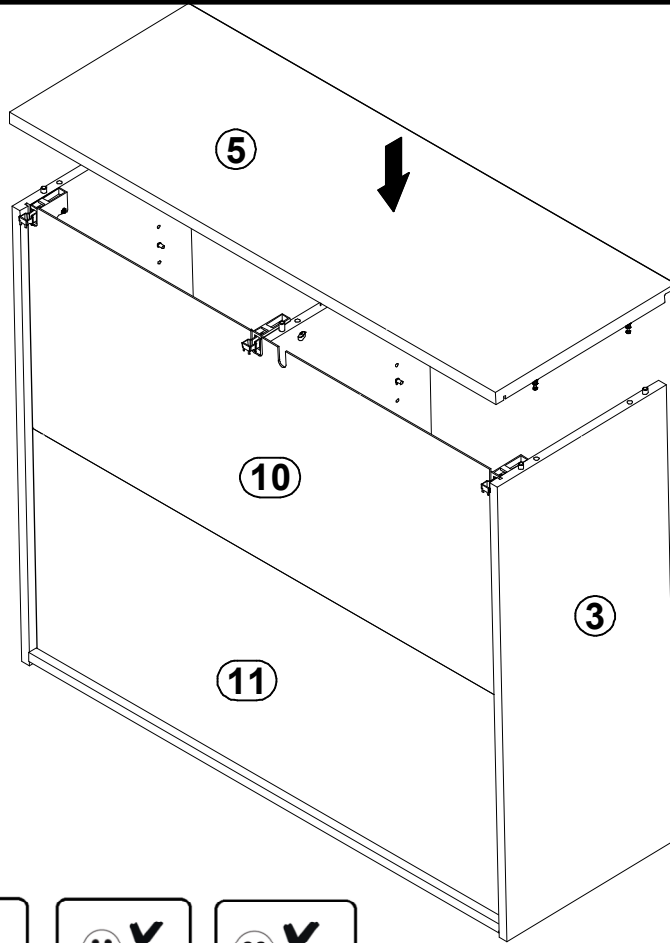
16 ▶



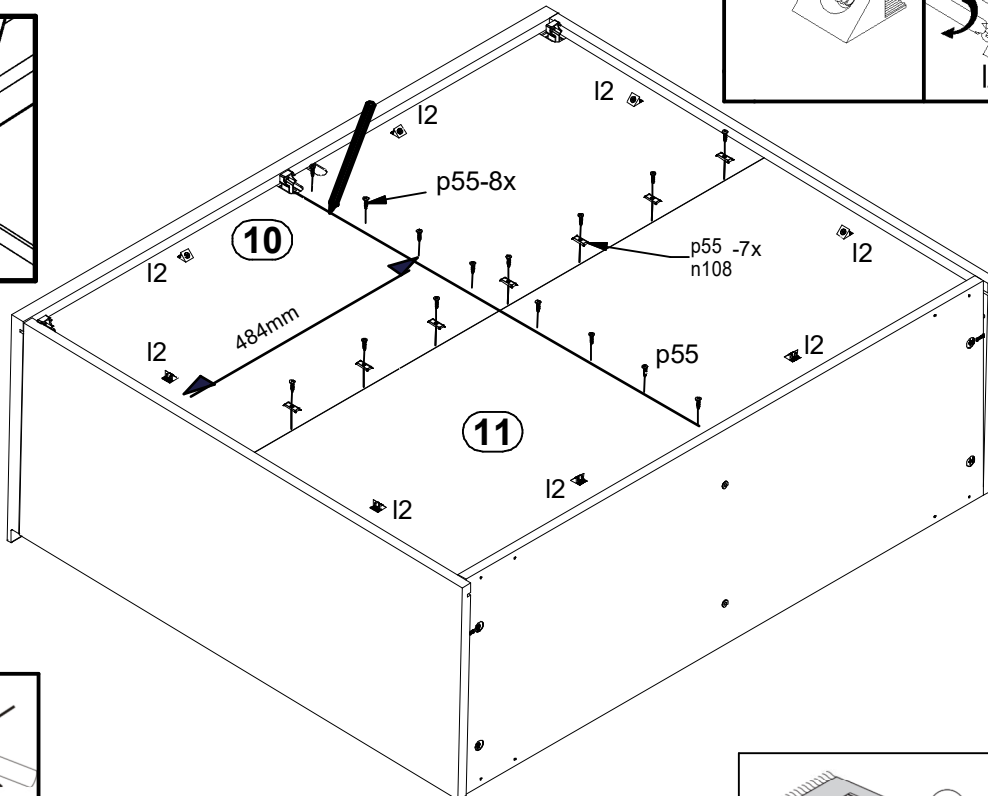
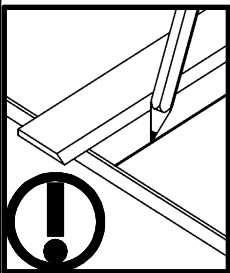
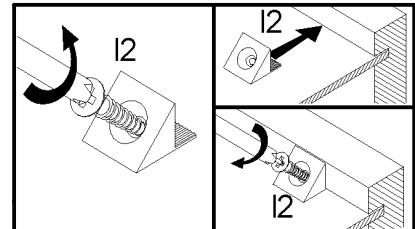
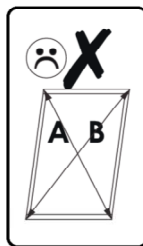
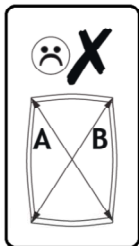
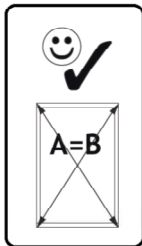
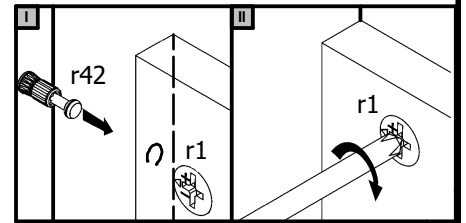
◀ 17



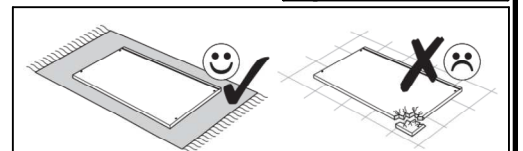
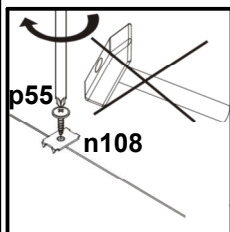
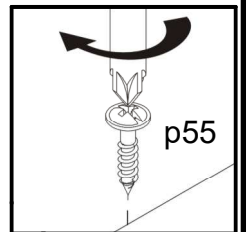
18 ▶

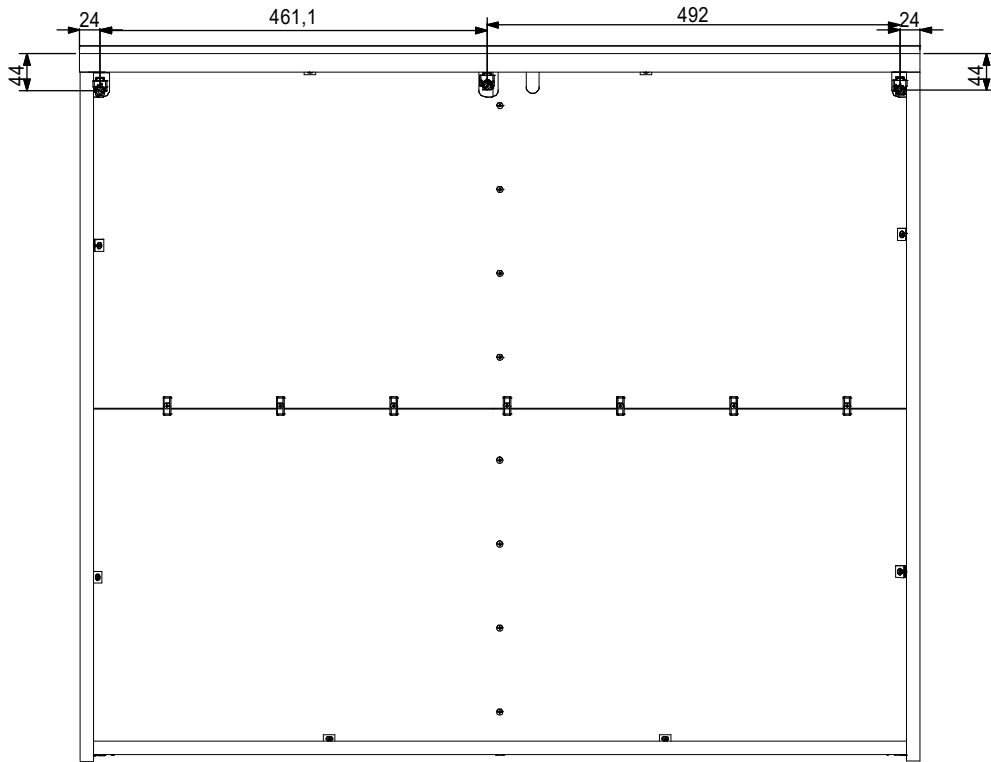


- 8x I2
- 7x n108
20x13x3.5,1
- 15x p55
Ø2.9x16 mm

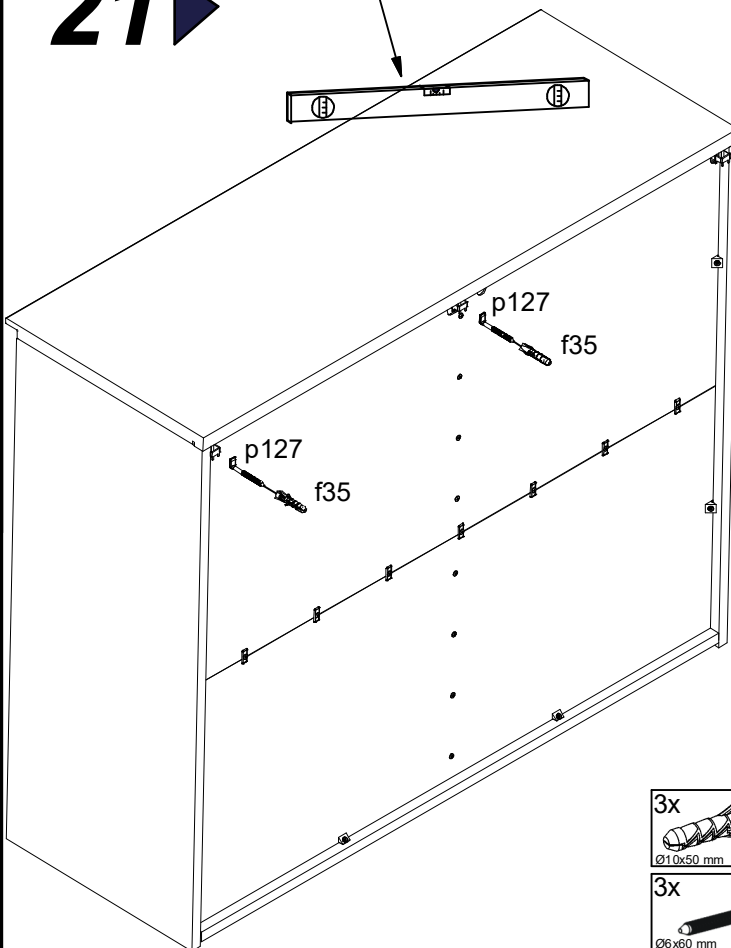
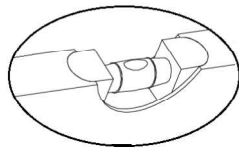


◀ 19





21 ▶



	$\phi 10$ mm 	f35 	f35 	f35
--	------------------	---------	---------	---------

		p127
--	--	----------

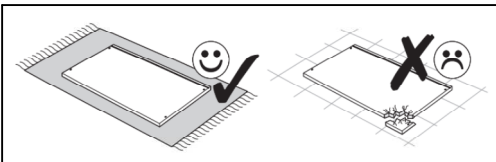
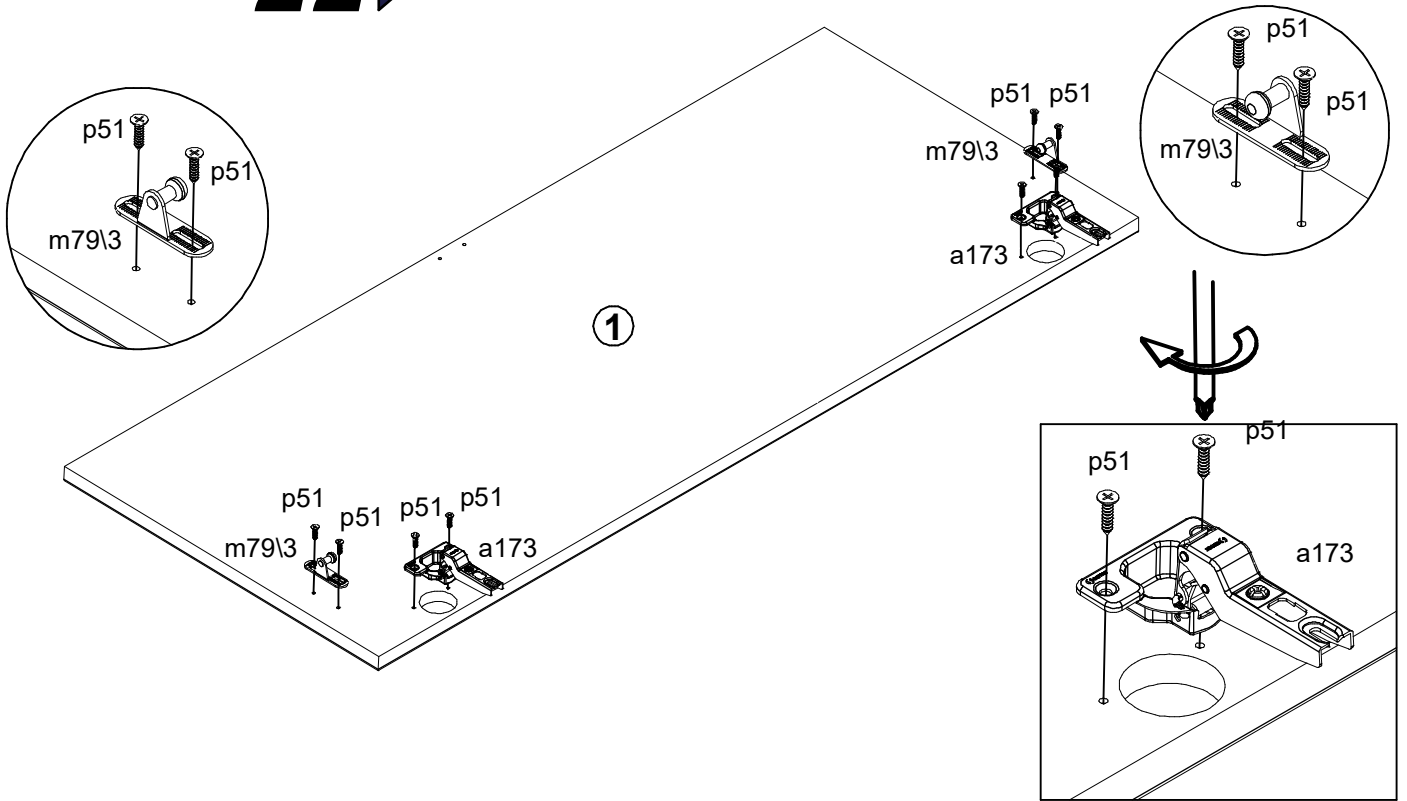
p127 	p127 	p127
----------	----------	----------

3x $\phi 10 \times 50$ mm f35
3x $\phi 6 \times 60$ mm p127

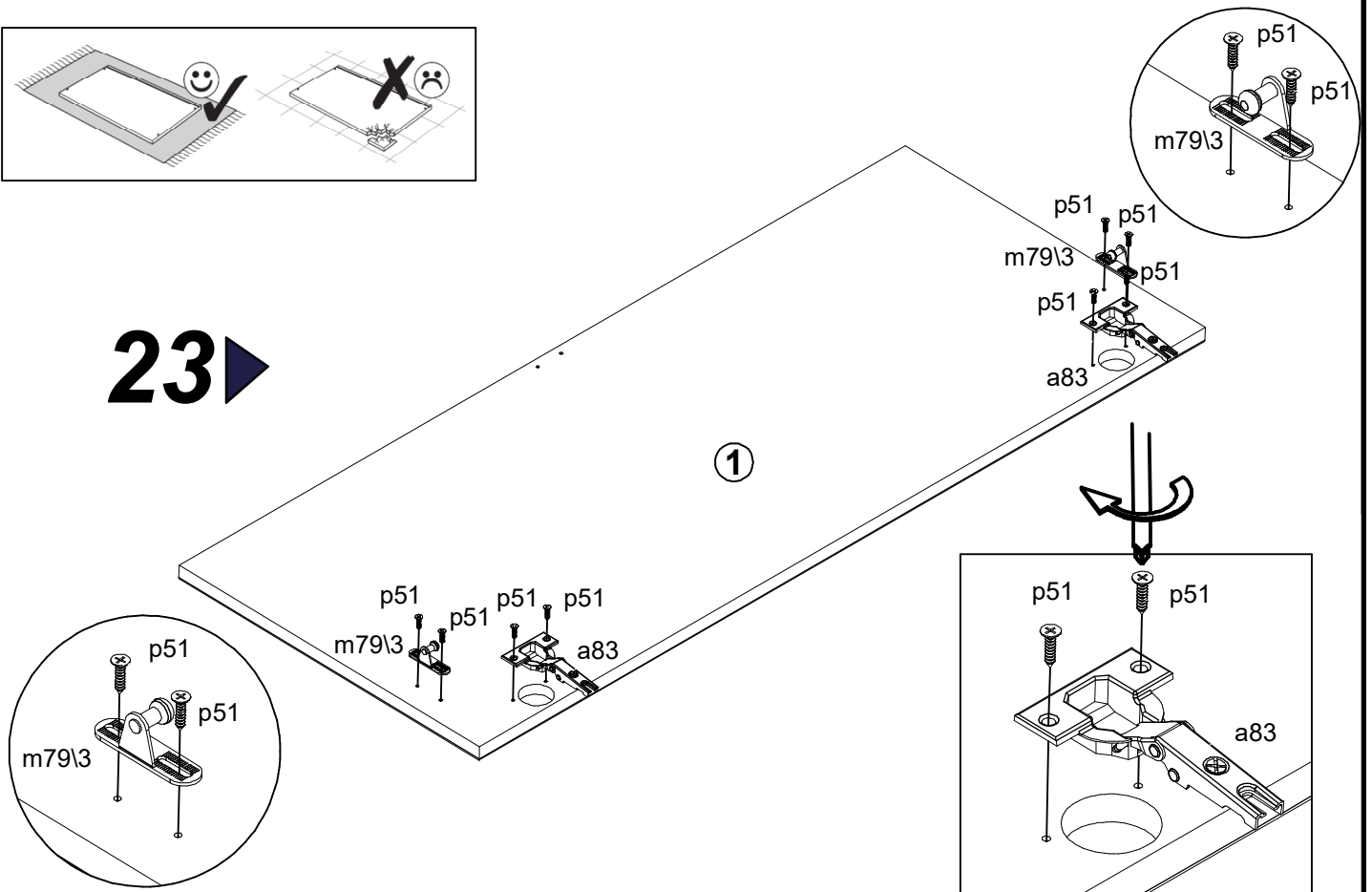
		n165
--	--	----------

16x Ø3,5x15 mm p51	4x m79\3	2x K9 Ø35 a173	2x K9 Ø35 a83
--------------------------	-------------	----------------------	---------------------

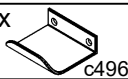
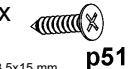
22 ▶

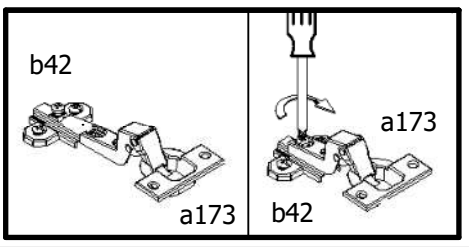
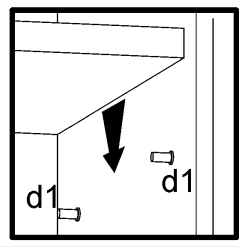
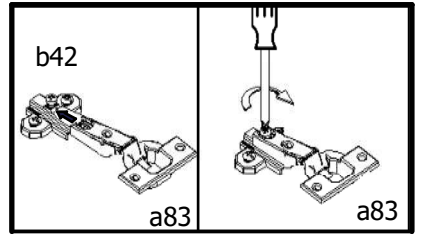
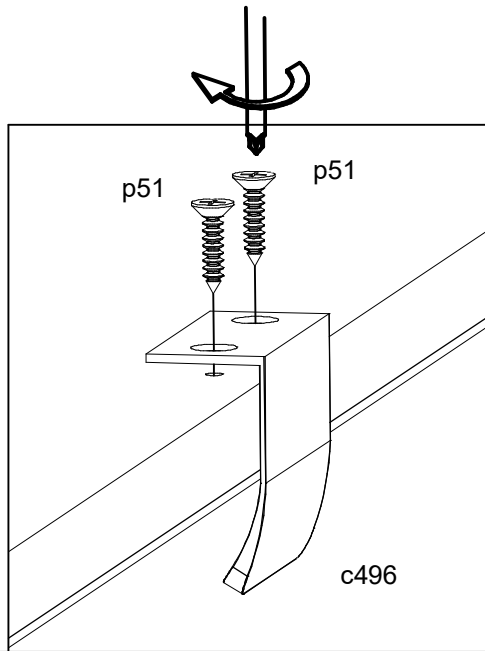
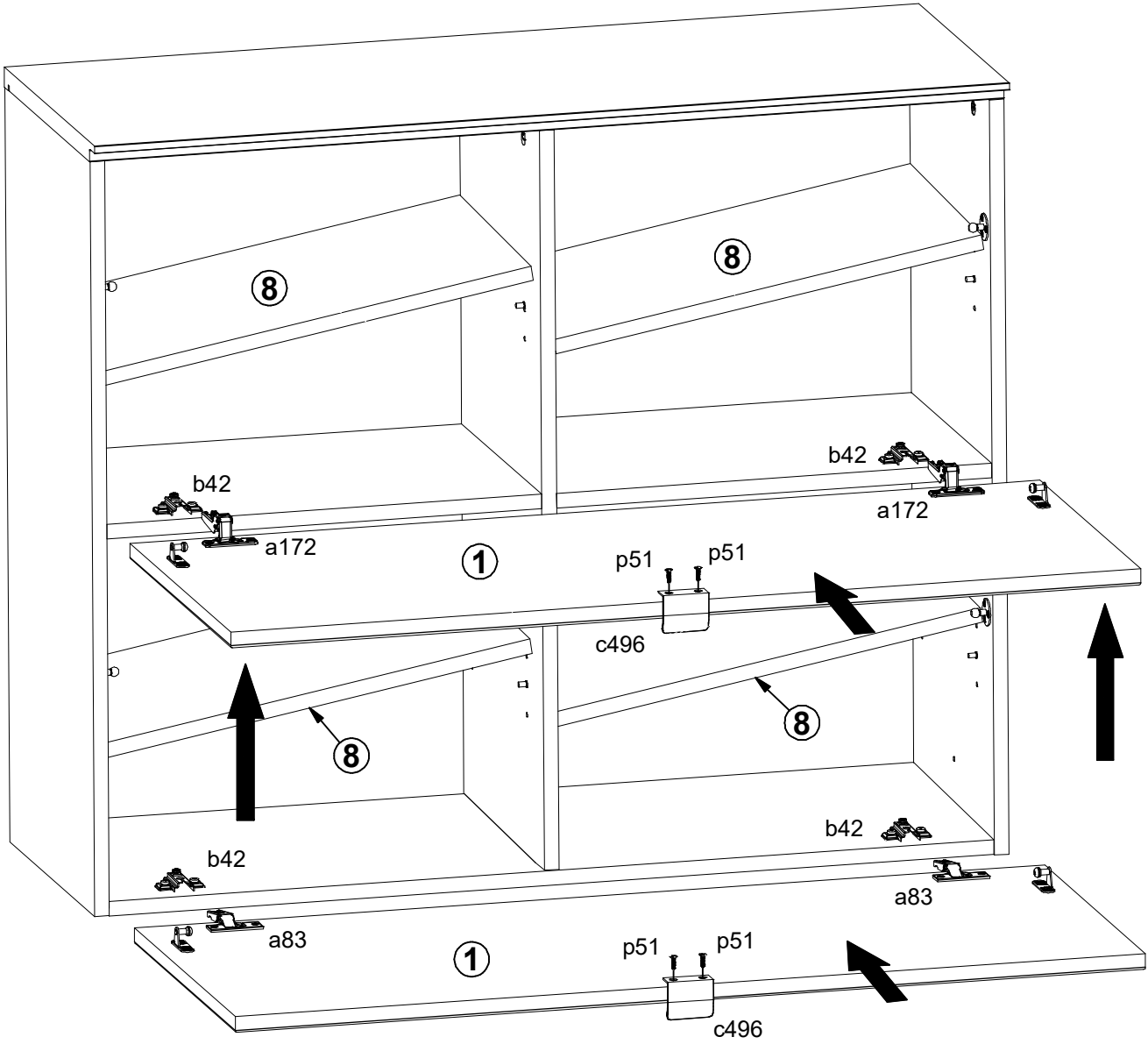


23 ▶

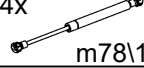
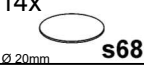


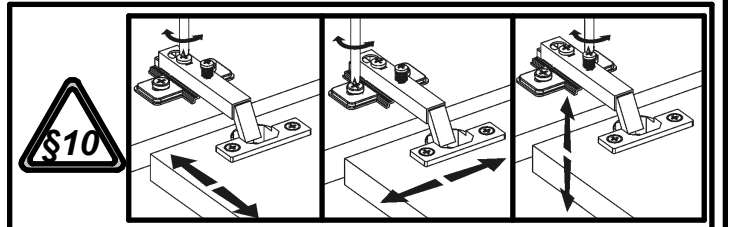
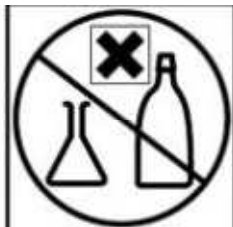
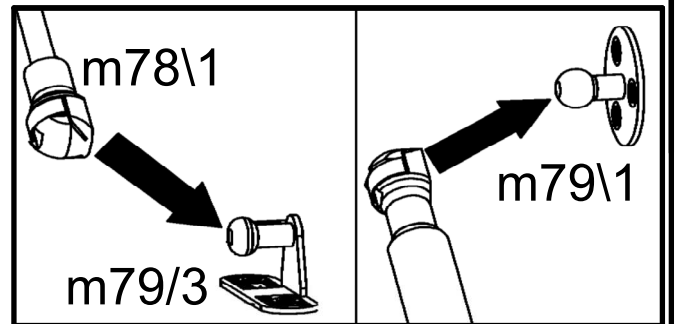
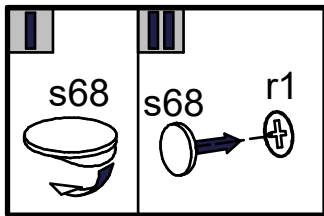
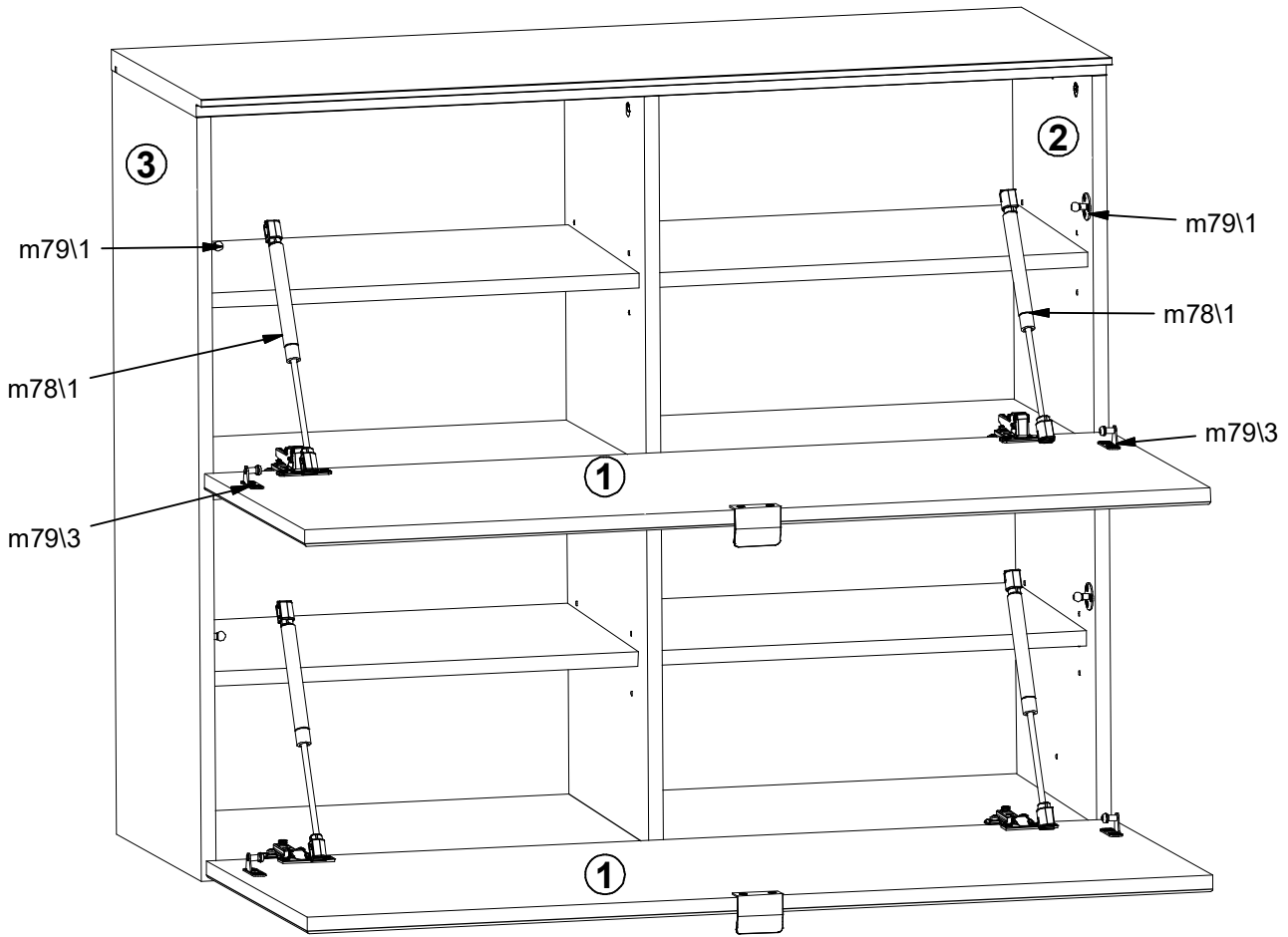
24

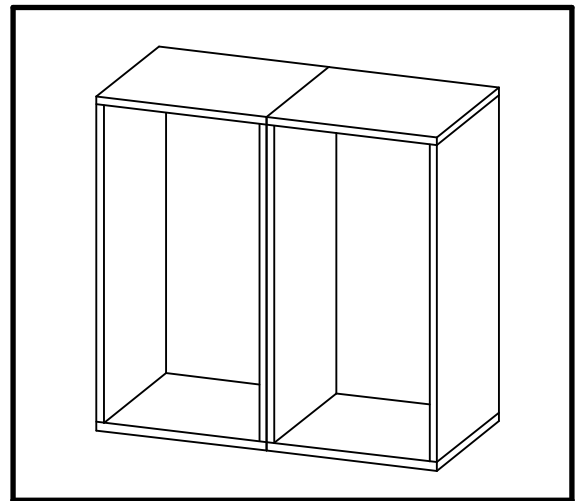
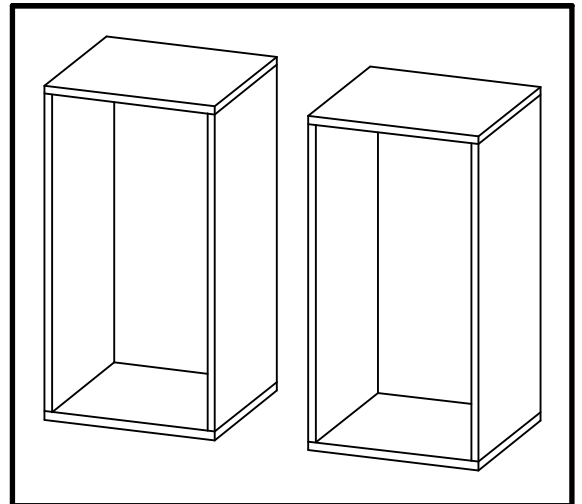
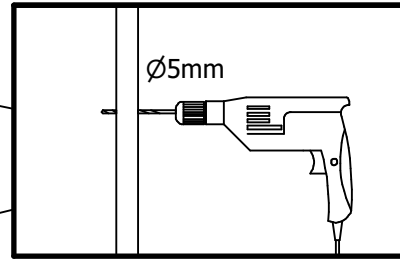
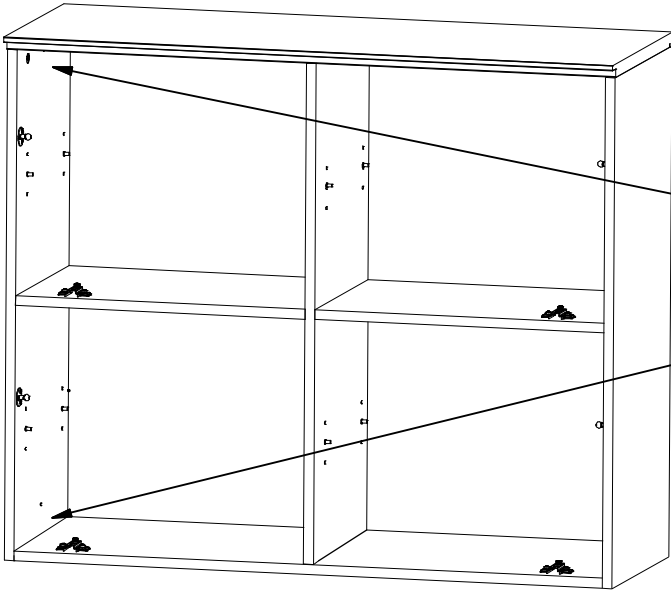
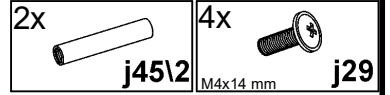
- 2x  c496
- 4x  p51
Ø3.5x15 mm



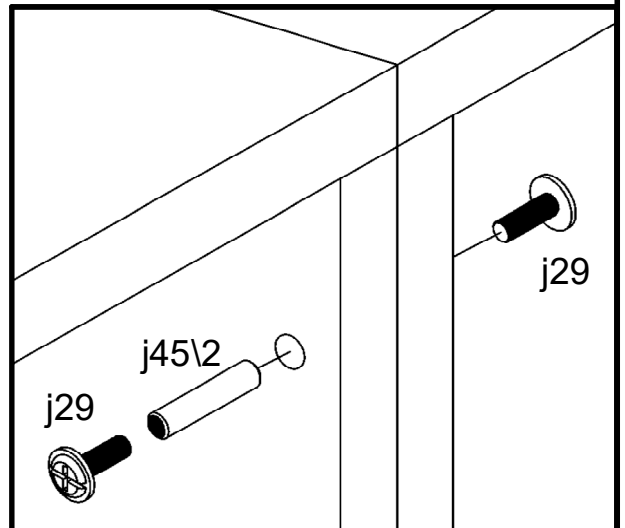
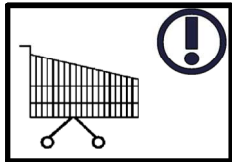
25

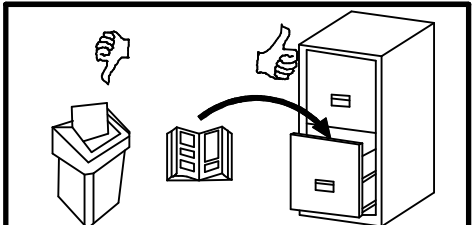
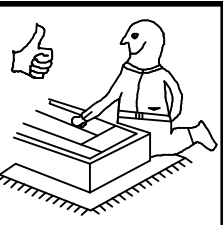
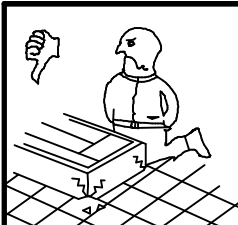
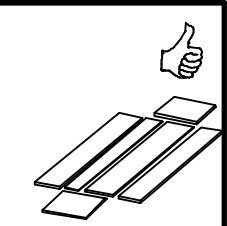
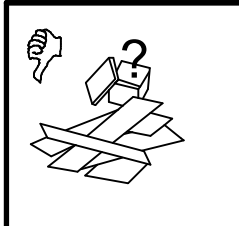
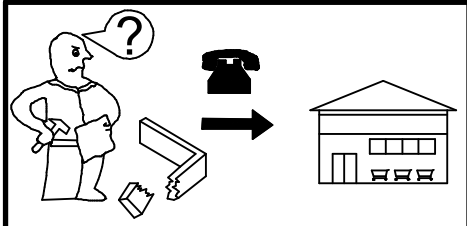
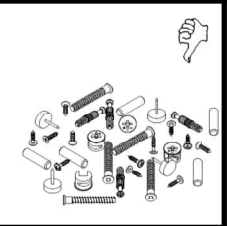
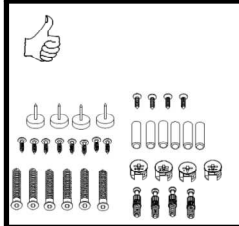
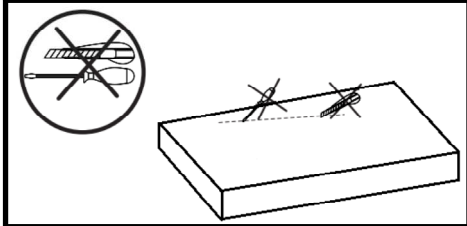
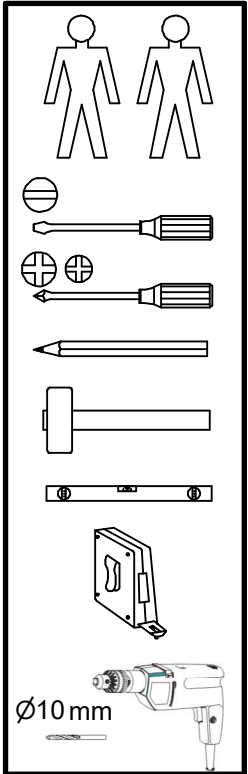
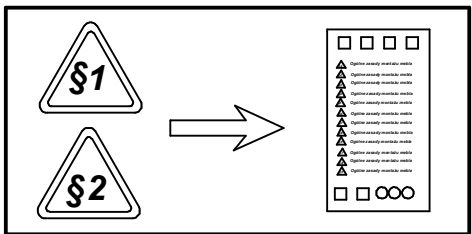
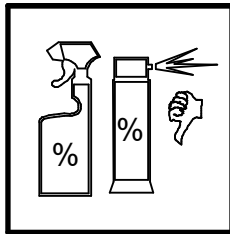
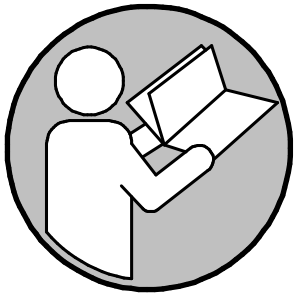
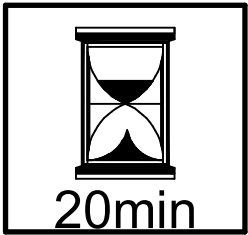
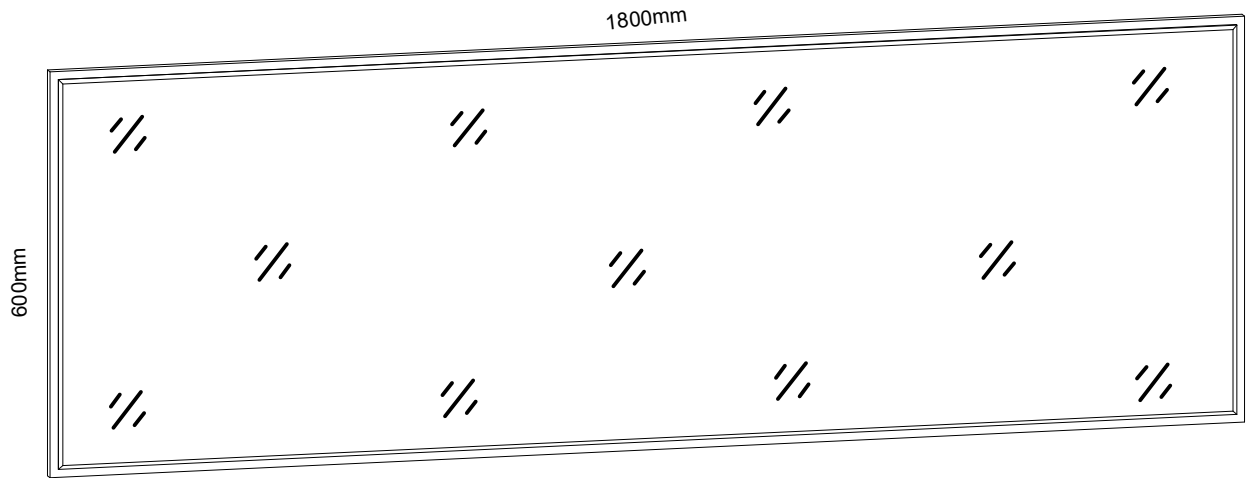
- 4x  m78\1
- 14x  s68
Ø 20mm

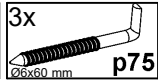
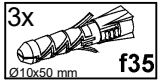




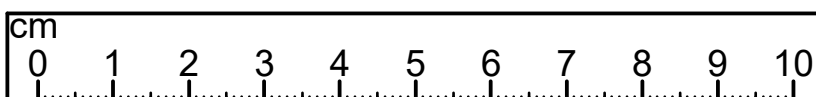
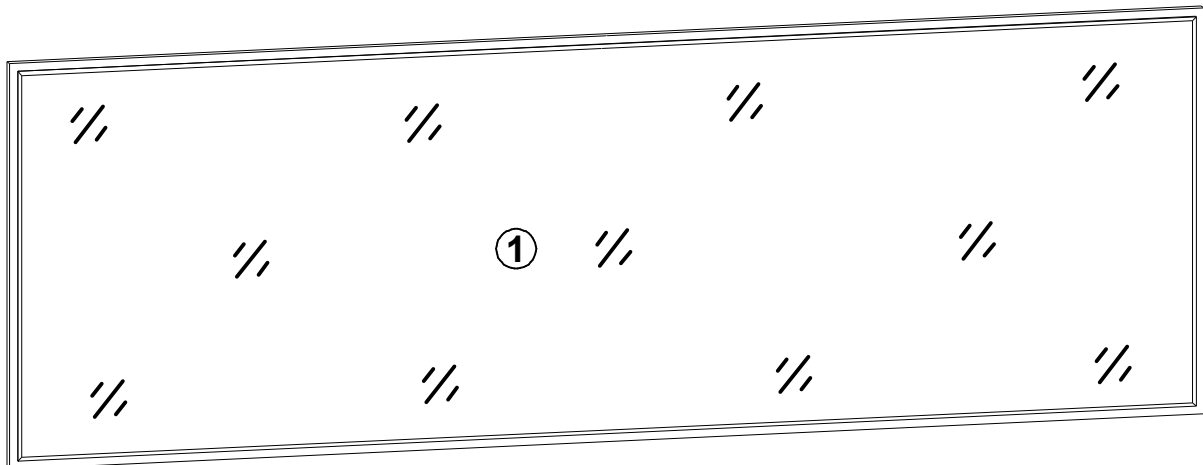
OPTION

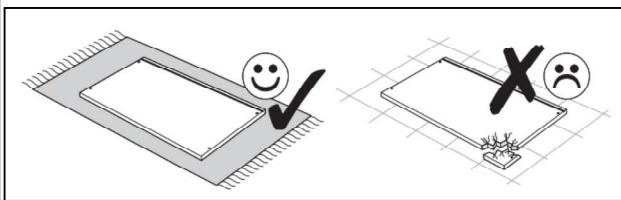
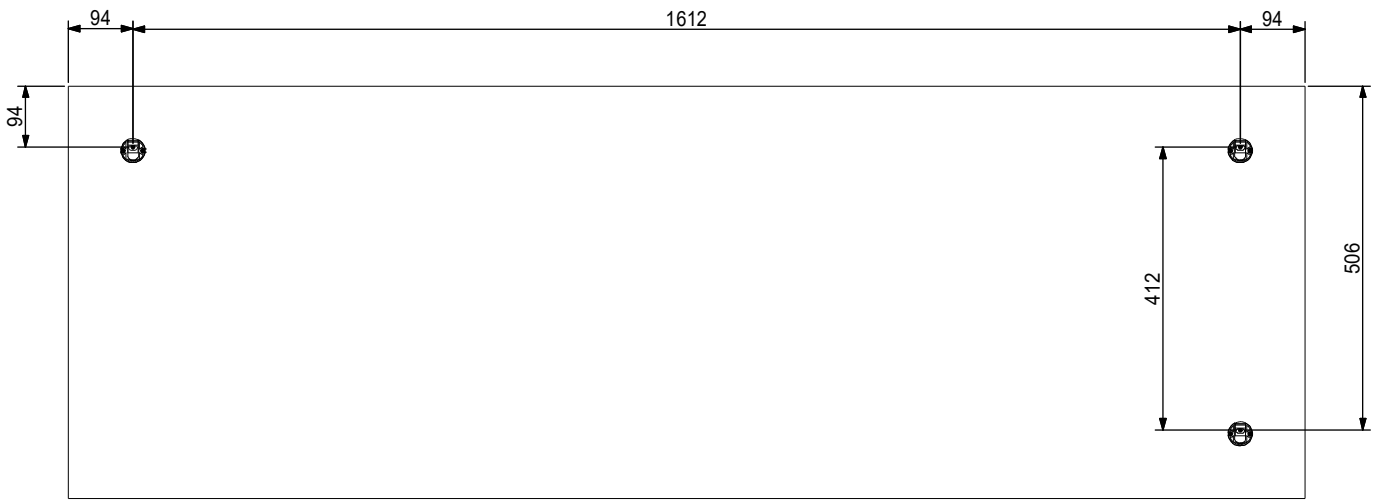


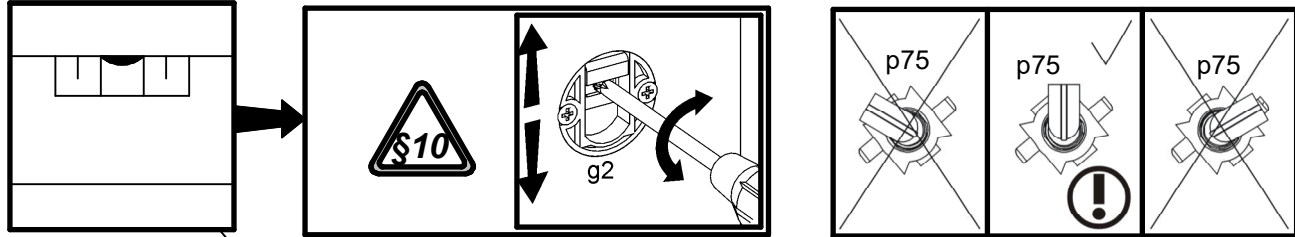
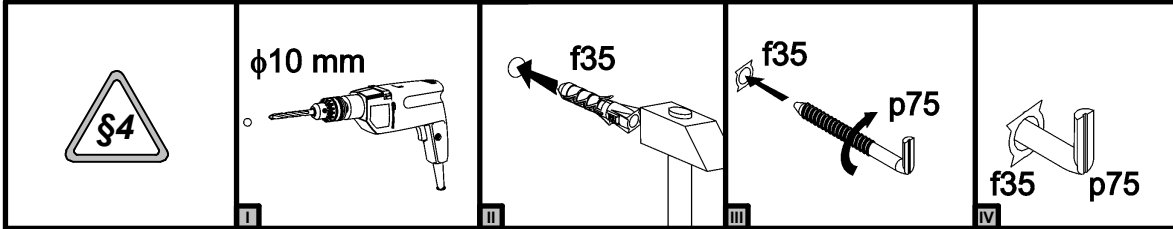




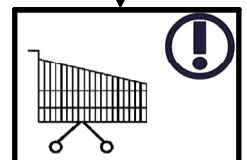
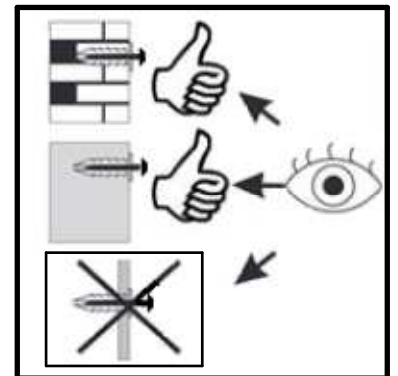
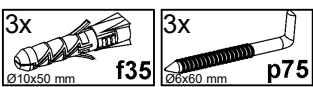
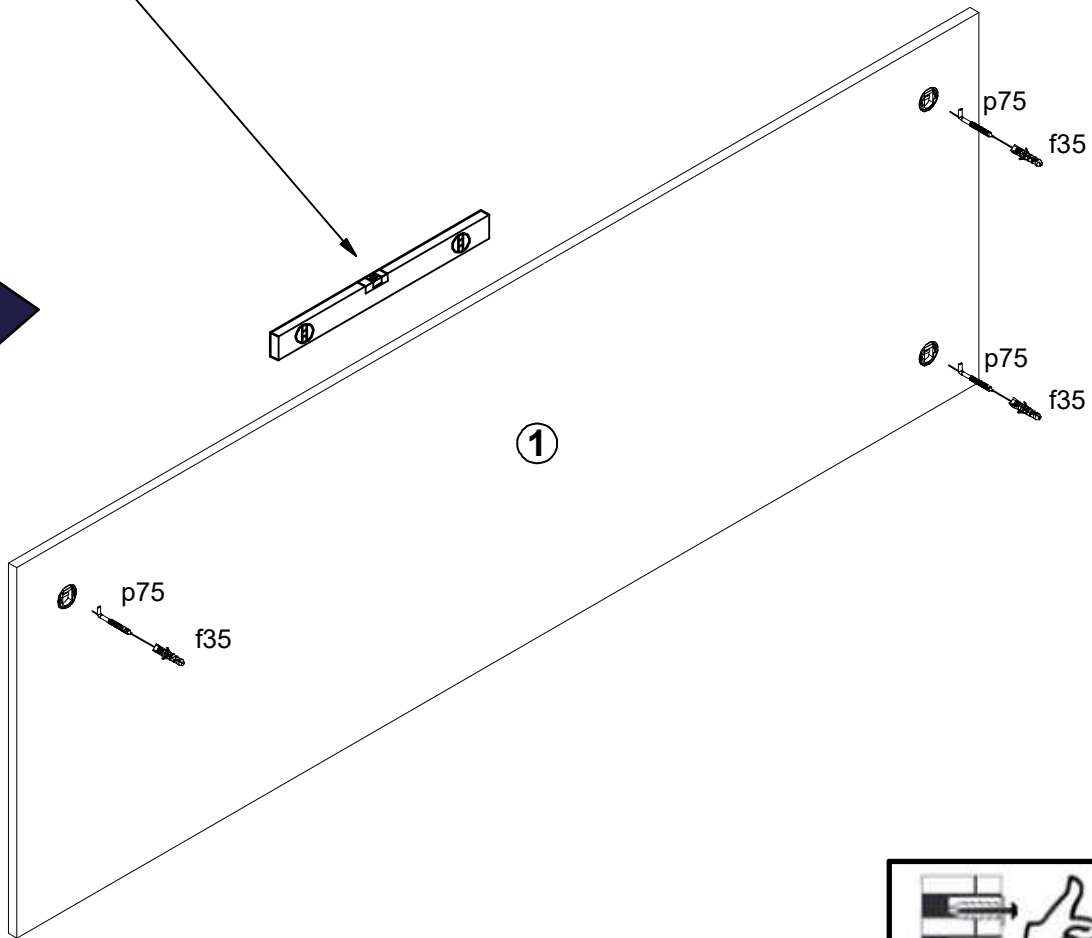
A	B1	B2	C1	C2	C3	C4	D
1	M278-4302	-	1800	600	19	1	1/1

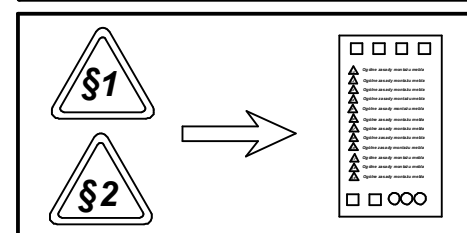
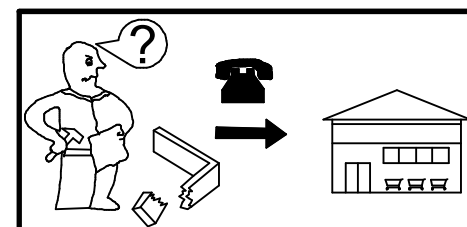
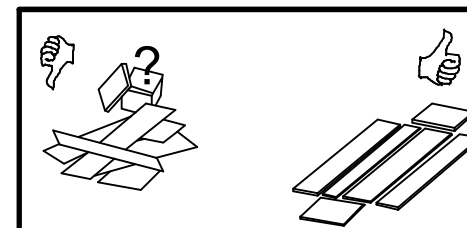
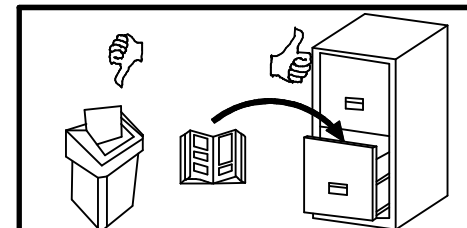
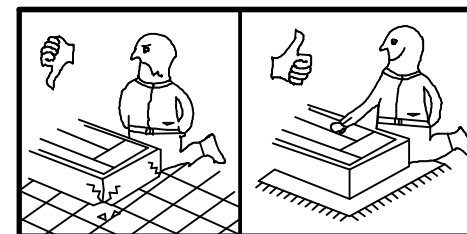
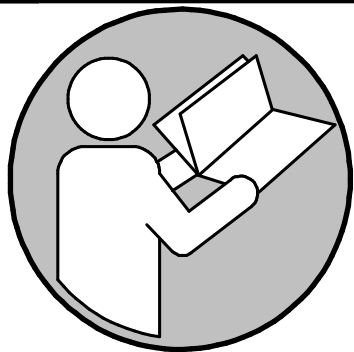




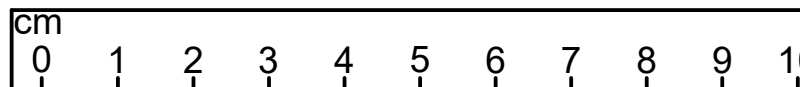
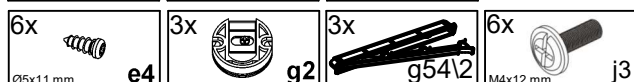
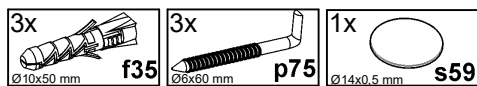
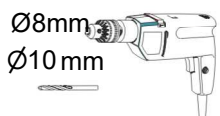
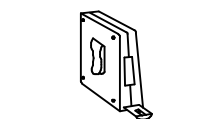
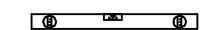
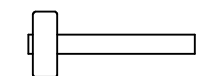
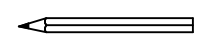
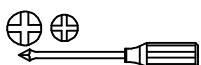
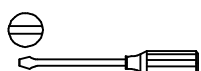
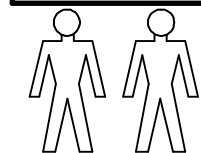
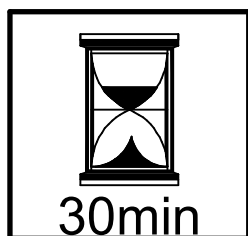
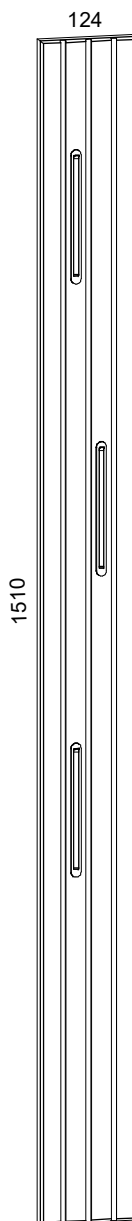


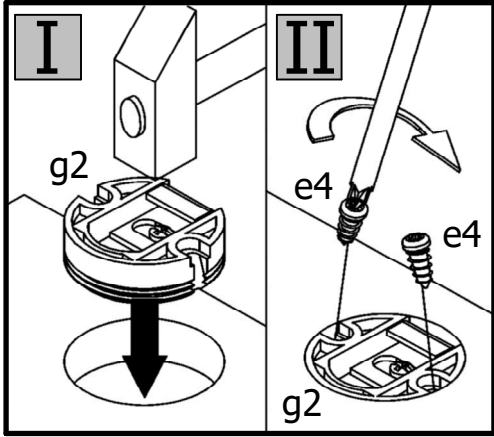
2 ▶







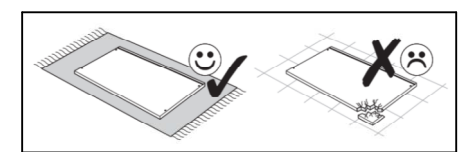
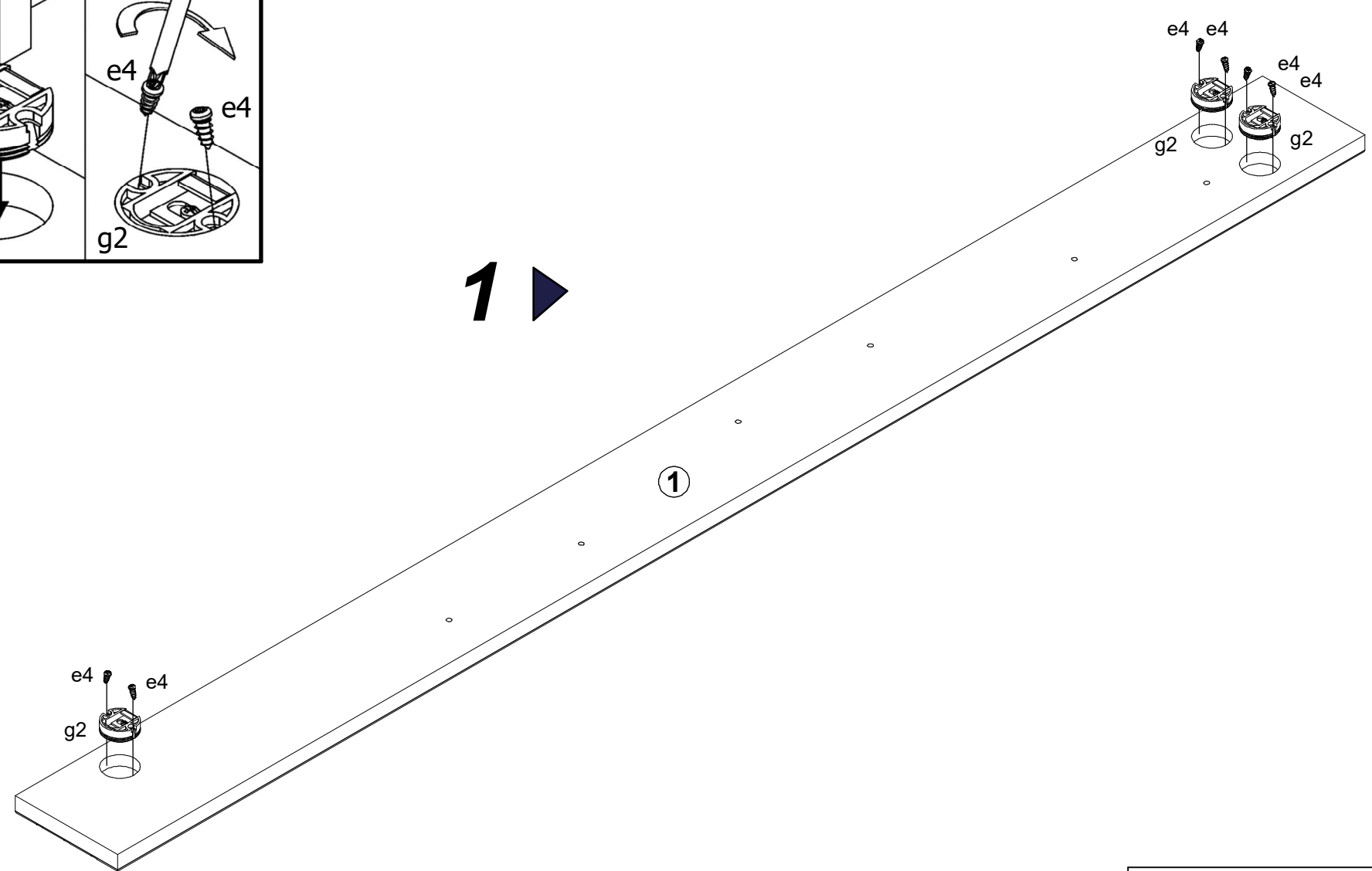
A	B1	B2	C1	C2	C3	C4	D
1	M278-4001	-	1510	124	19	1	1/1



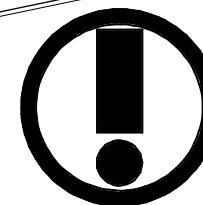
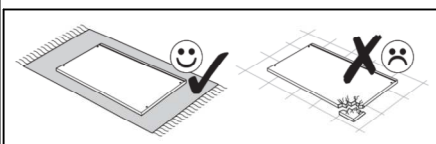
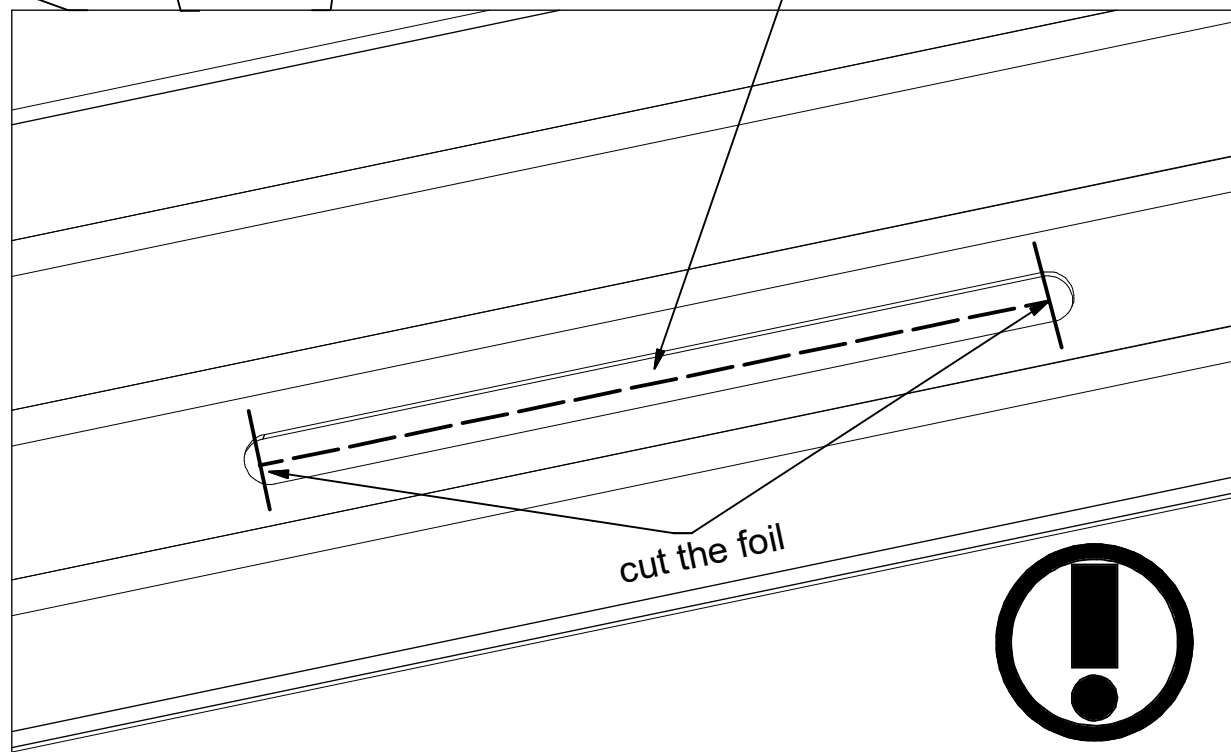
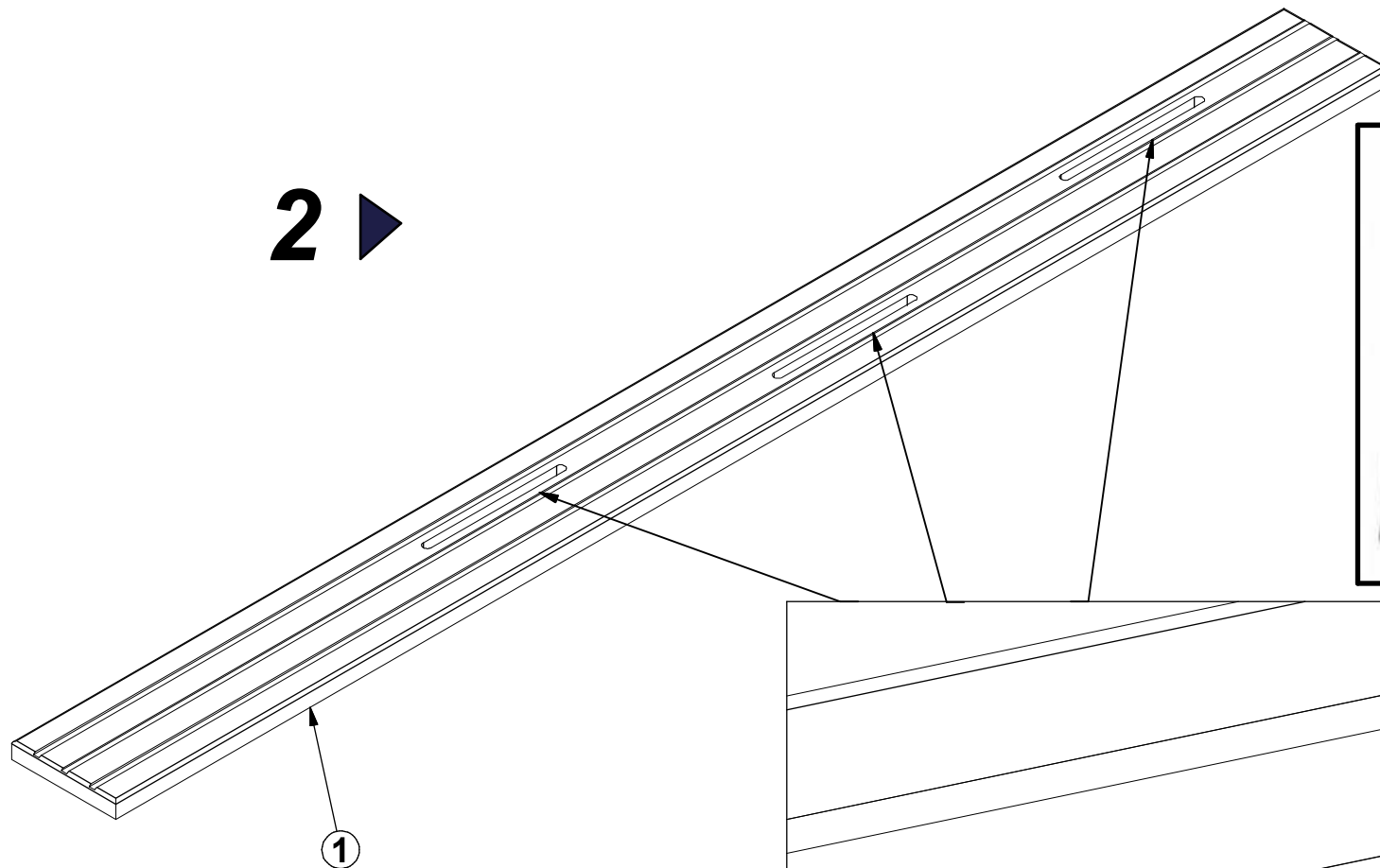


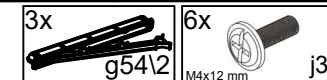
- 6x  e4 Ø5x11 mm
- 3x  g2

1 ►

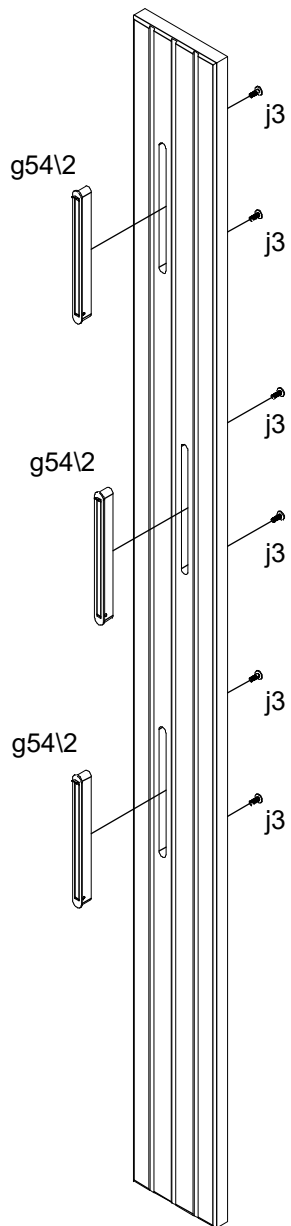
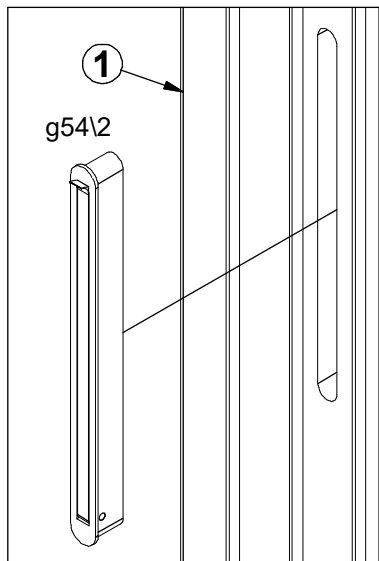


2 ▶

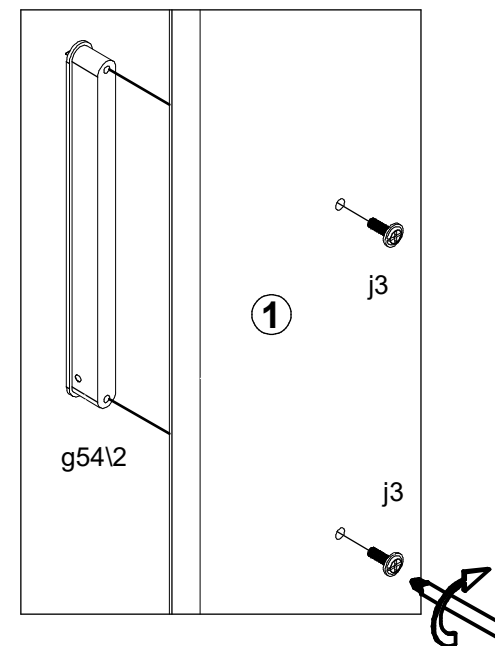
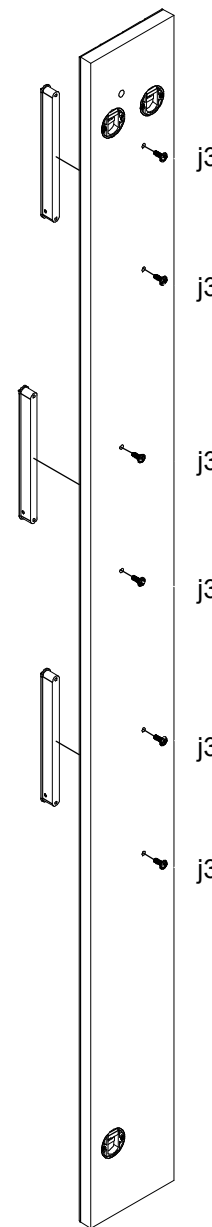


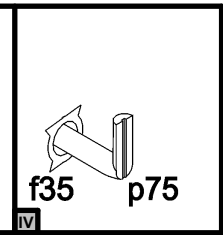
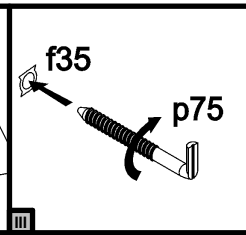
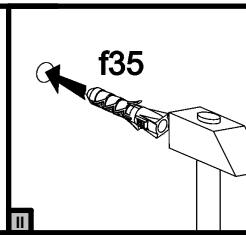
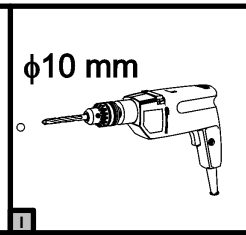
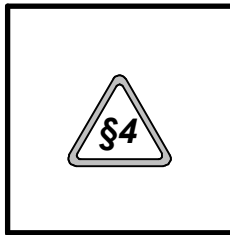
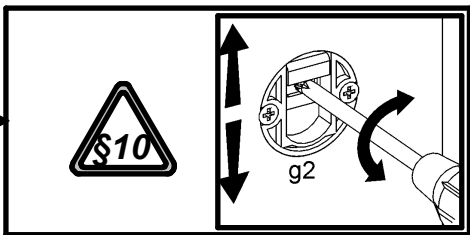
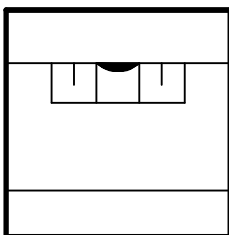


3 ▶

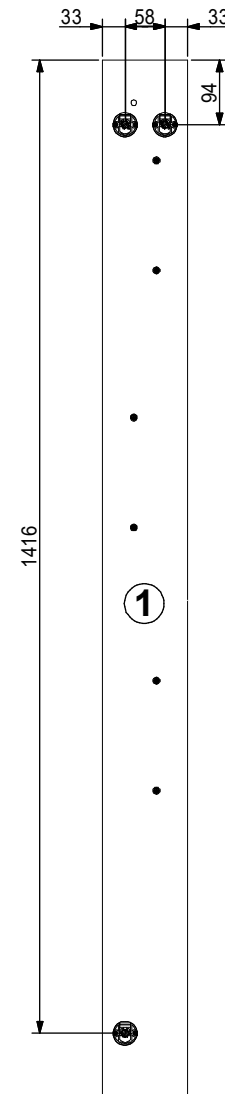
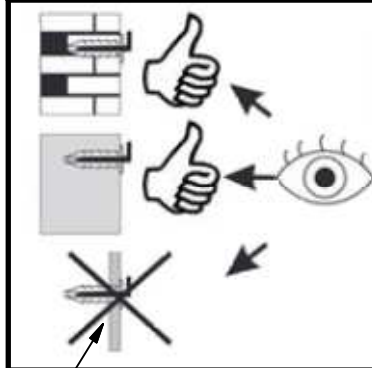
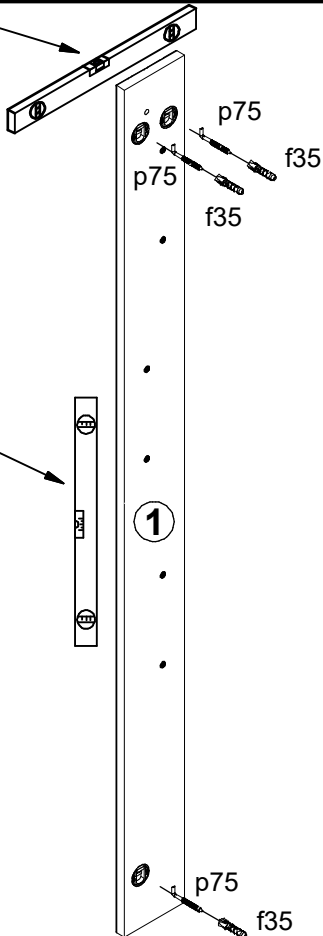


◀ 4

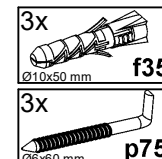
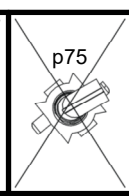
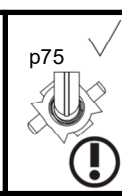
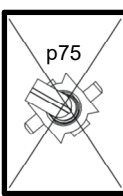


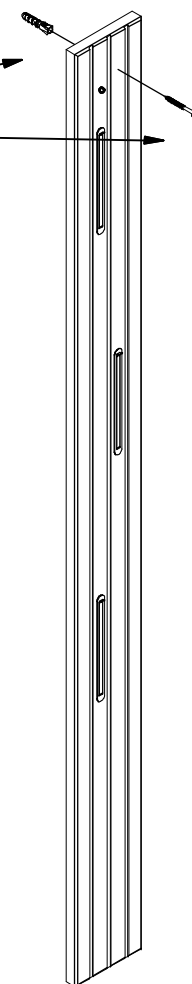
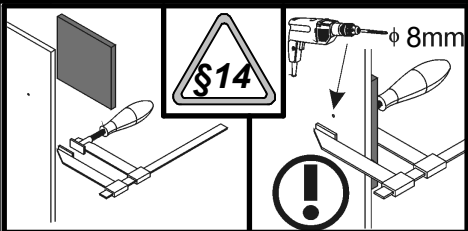


5 ▶



◀ 6





8

7

