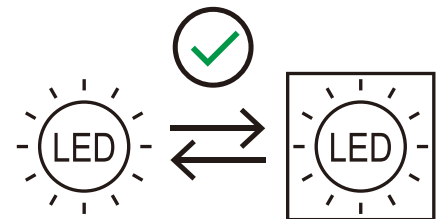
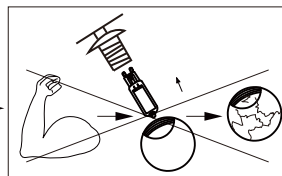
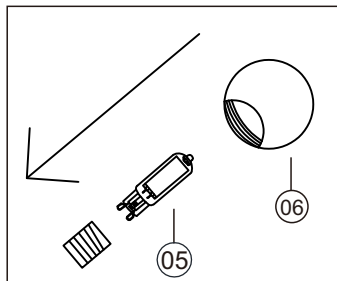
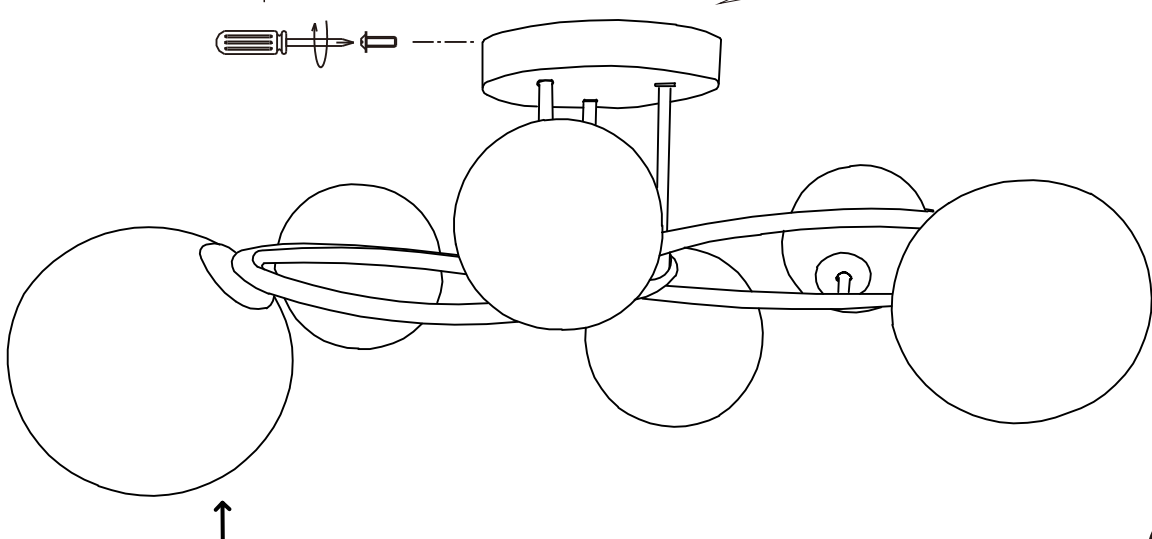
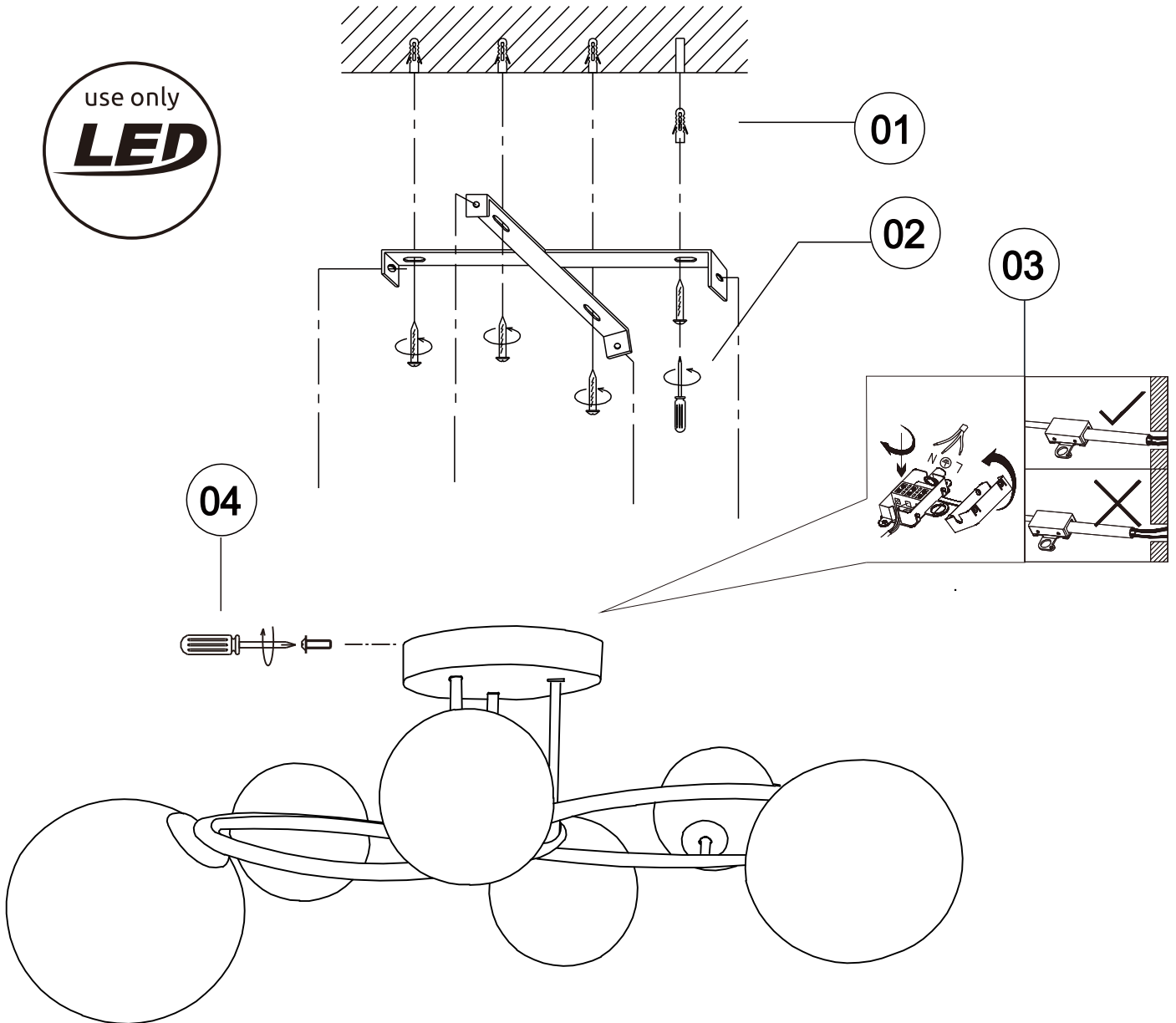
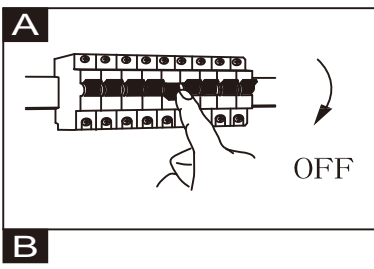


GLOBO

LIGHTING

56133-6D



6X MAX 5W LED G9
220-240V~ 50/60Hz

GLOBO Handels GmbH
Gewerbestr. 3
A-9184 Sankt Peter Austria
www.globo-lighting.com
office@globo-lighting.com

