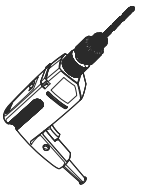
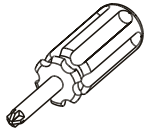
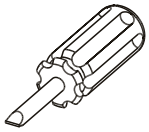
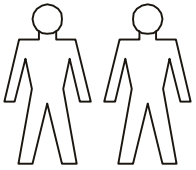
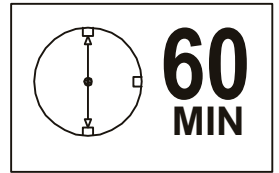
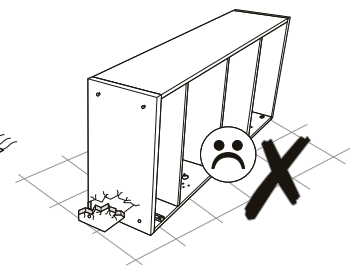
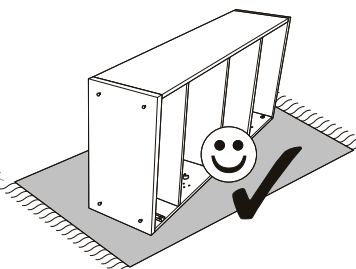
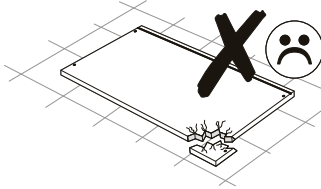
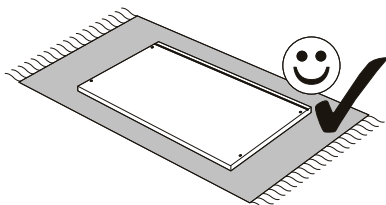
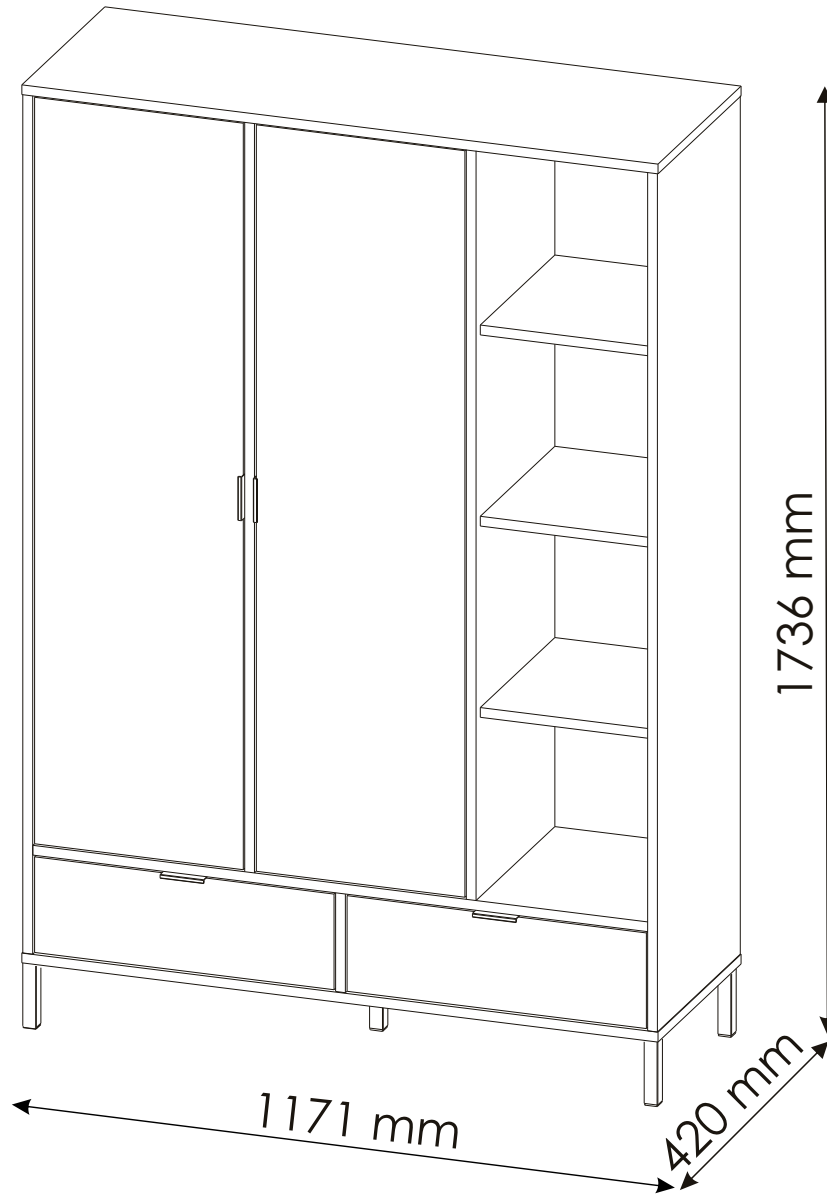



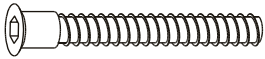






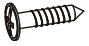

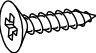


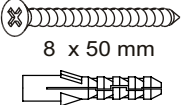
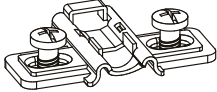




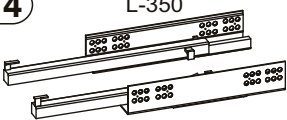
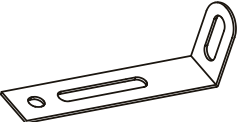
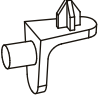
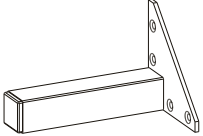
LIAM Highboard

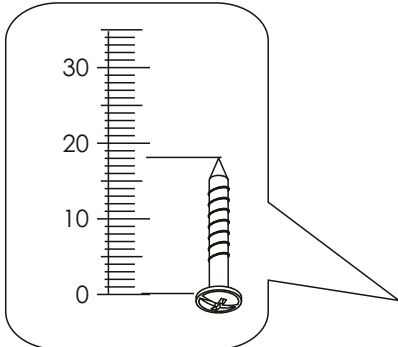
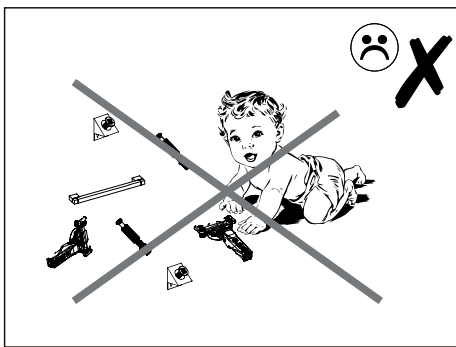
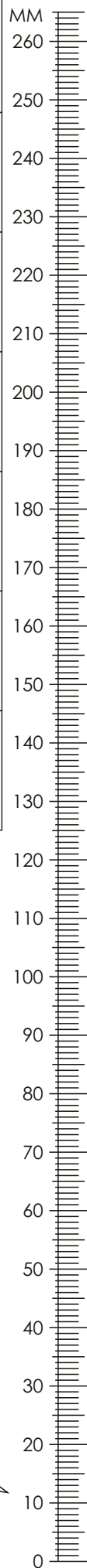
00030098/02



Ø8




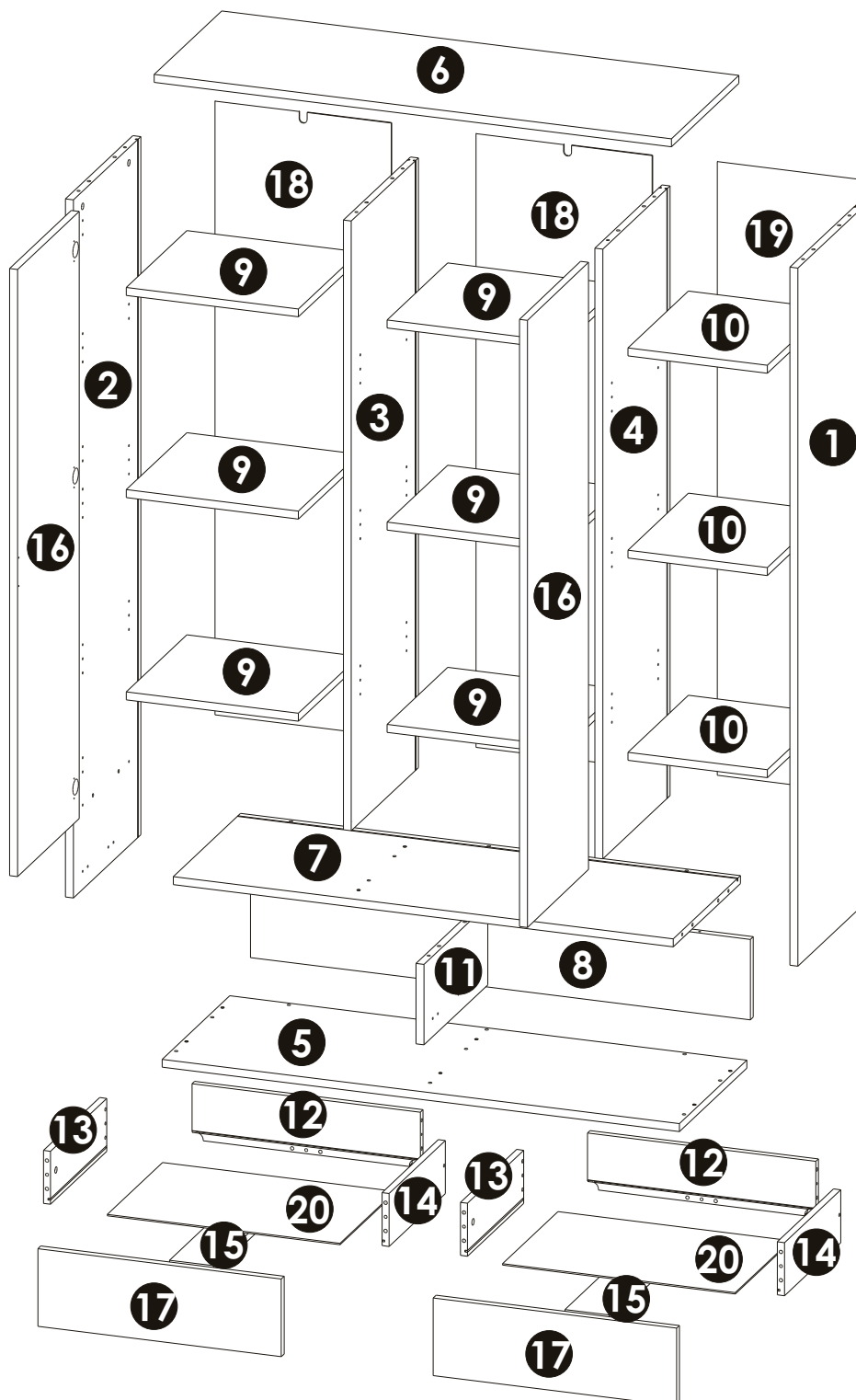
A0 8 x 30mm x48 	B1 f 7 x 50 mm x6 	B2 f 7 x 70 mm x16 
C0 x12 	C1 18mm x14 	C2 x20 
C7 16mm x6 	D0 3 x 15 mm x36 	D4 3,5 x 18 mm x20 
D8 3,5 x 13 mm x8 	D10 4 x 16 mm x12 	D21 5 x 13 mm x2 
D31 6.3 x 13 mm x16 	E0 5 x 50 mm 8 x 50 mm x2 	J3 x6 
J18 x6 	K 4mm x1 	L3 x4 
M1 x36 	N14 L-350 x2 	P0 x2 
Q3 x36 	T27 x5 	

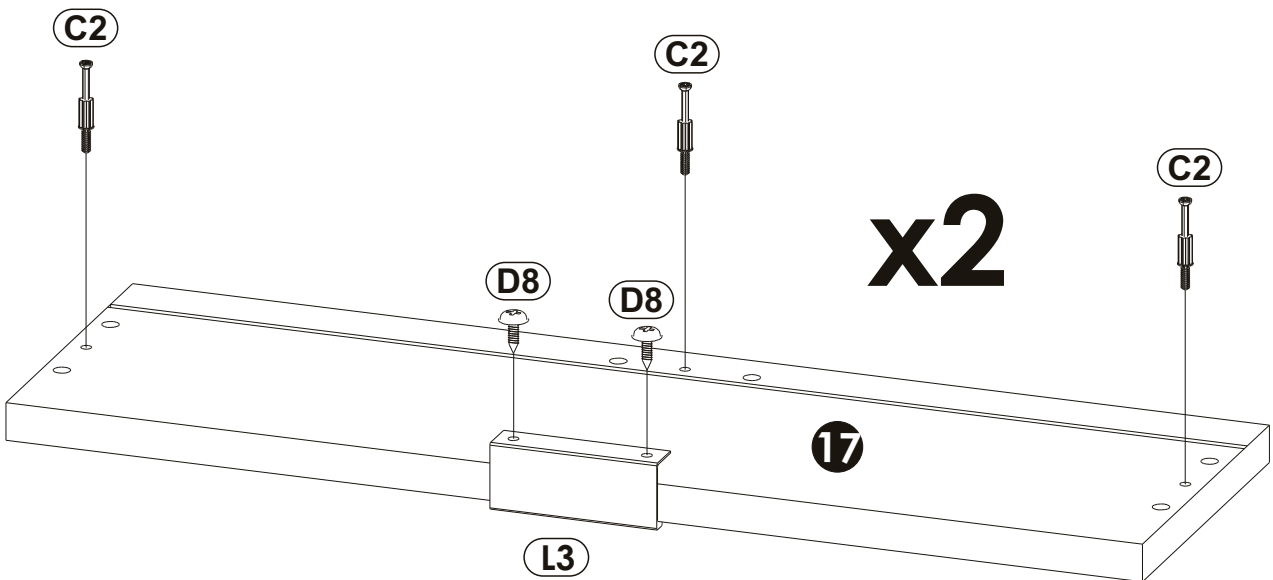
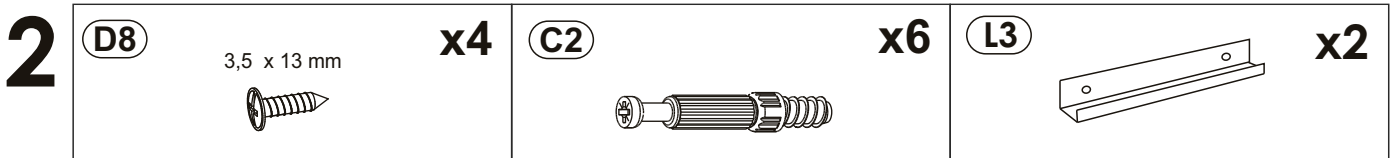
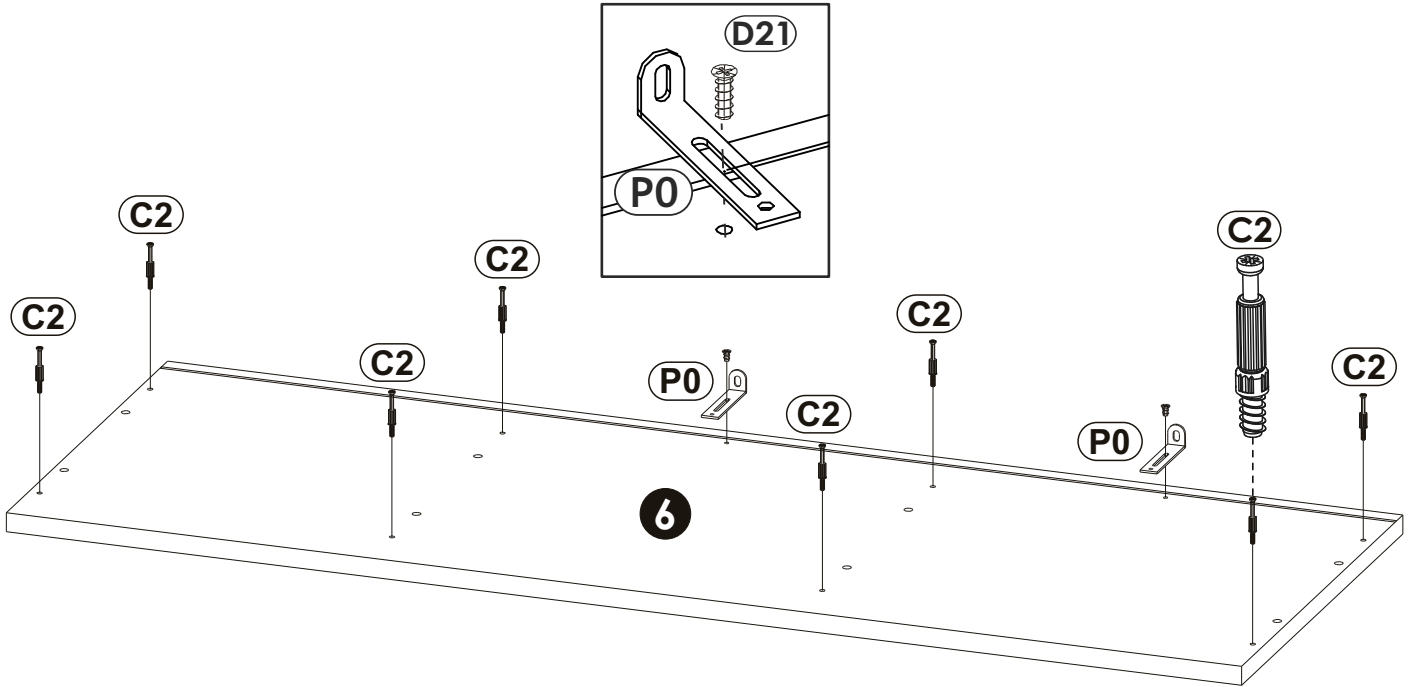
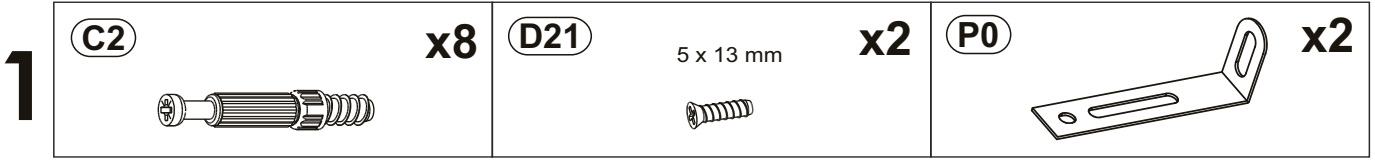
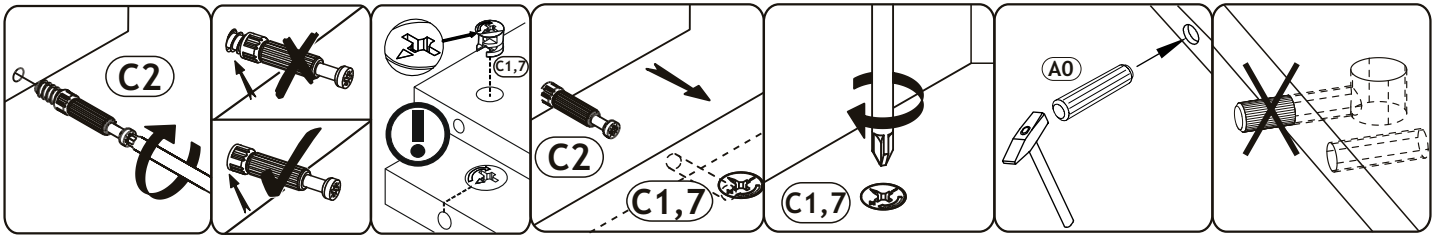




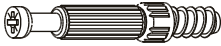

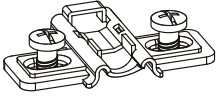
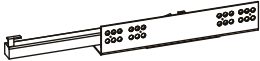
1	1580	419	18	x1	1/5
2	1580	419	18	x1	1/5
3	1380	418	18	x1	2/5
4	1380	418	18	x1	2/5
5	1171	420	18	x1	3/5
6	1171	420	18	x1	3/5
7	1132	418	18	x1	2/5

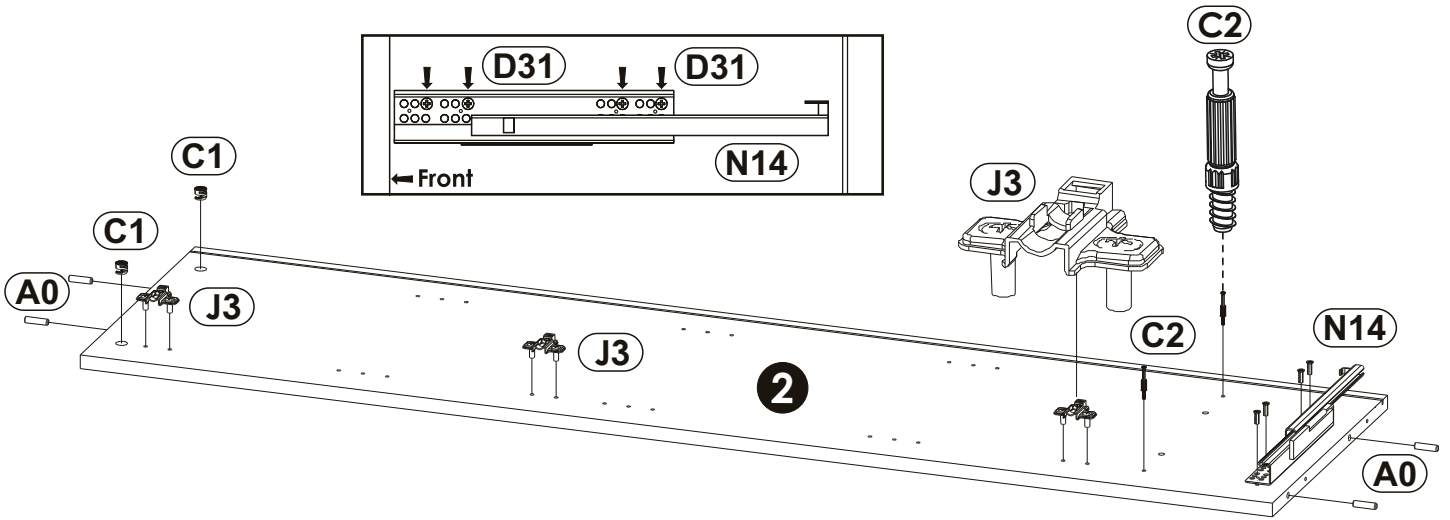
8	1132	182	18	x1	2/5
9	390	377	18	x6	3/5
10	316	377	18	x3	3/5
11	182	397	18	x1	2/5
12	517	126	16	x2	2/5
13	350	120	16	x2	2/5
14	350	120	16	x2	2/5





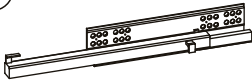
15	334	100	16	x2	2/5
16	1374	384	18	x2	4/5
17	551	176	18	x2	2/5
18	1389	399	3	x2	1/5
19	1389	325	3	x1	1/5
20	527	344	3	x2	1/5
					5/5

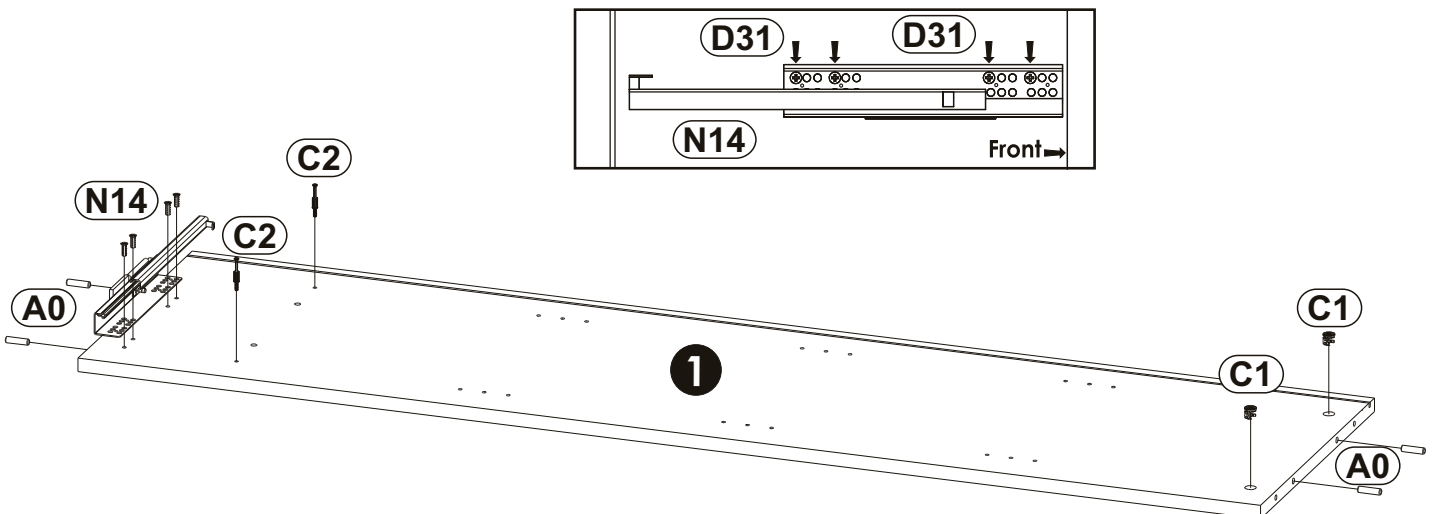
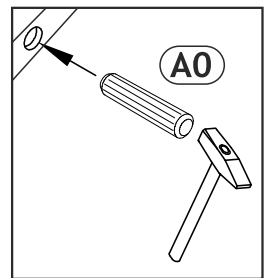




3	A0	8 x 30mm	x4	C1	18mm	x2	C2	x2
	D31	6.3 x 13 mm	x4	J3		x3	N14	L-350
								
								

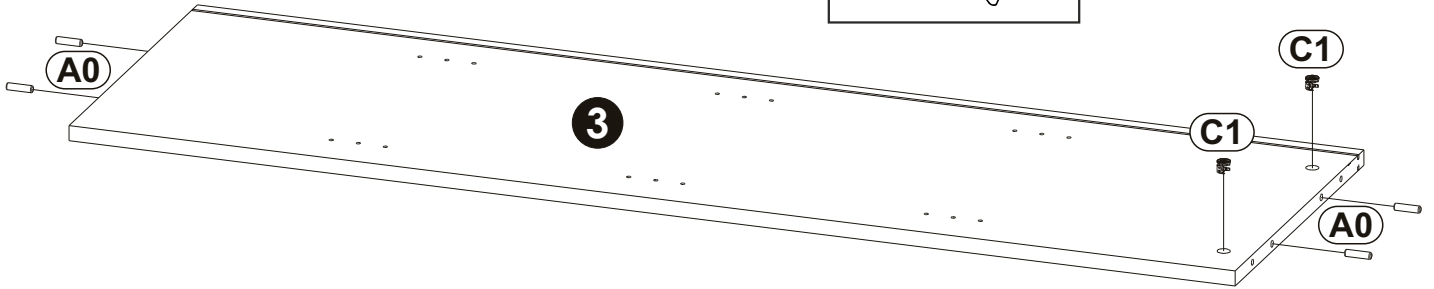
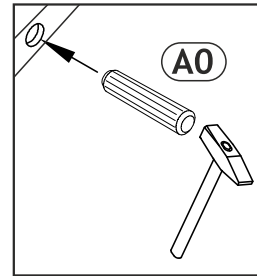


4	A0	8 x 30mm	x4	C1	18mm	x2	C2	x2
	D31	6.3 x 13 mm	x4	N14	L-350	x1		
								
								



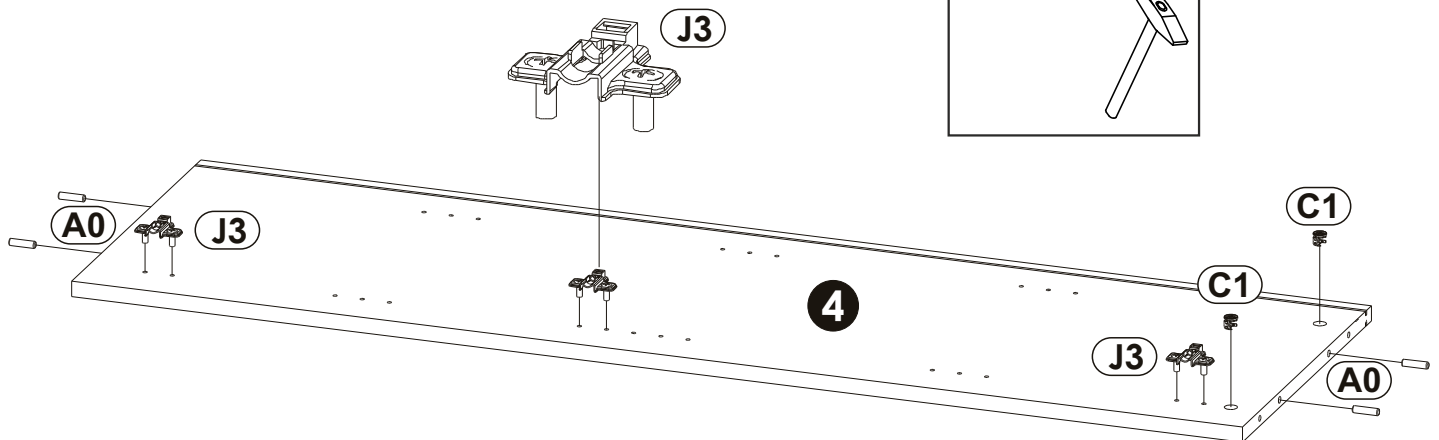
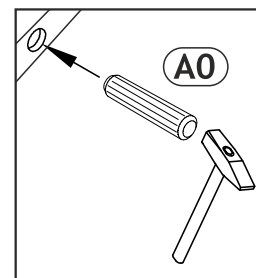
5




A0	8 x 30mm	x4	C1	18mm	x2
-----------	----------	-----------	-----------	------	-----------

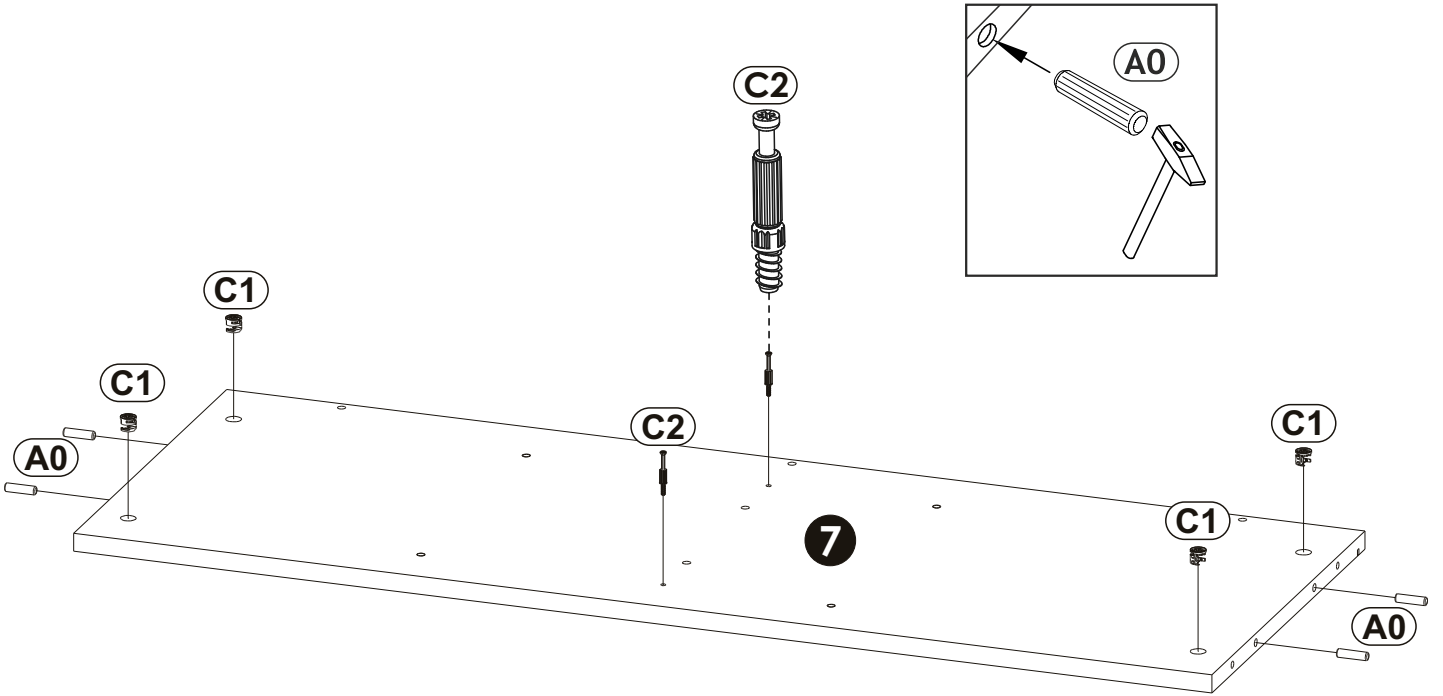





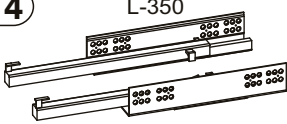
6

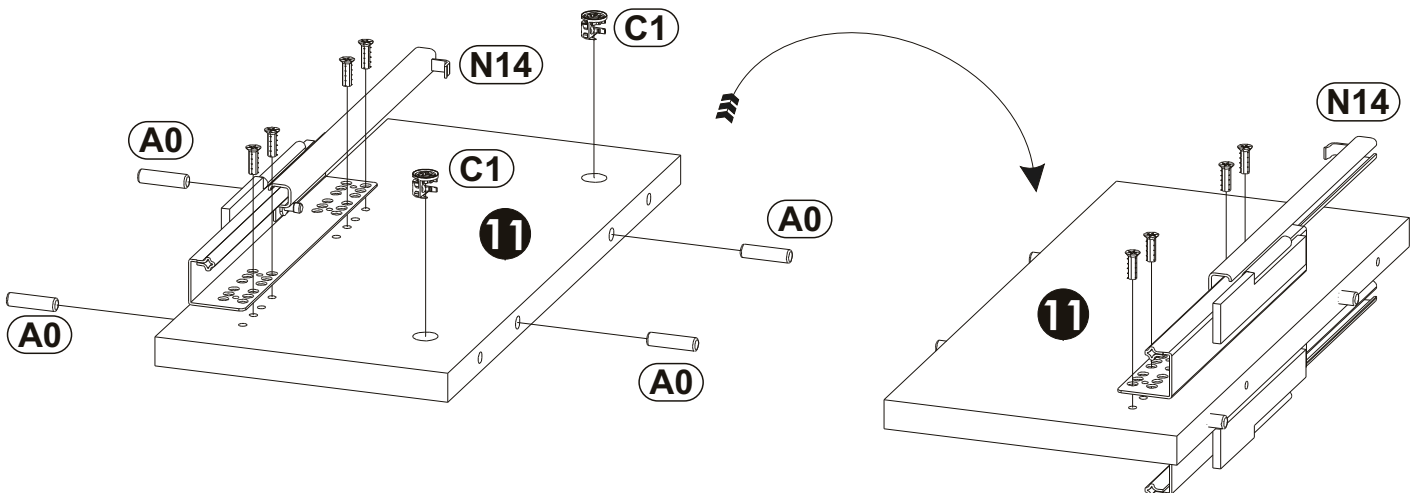
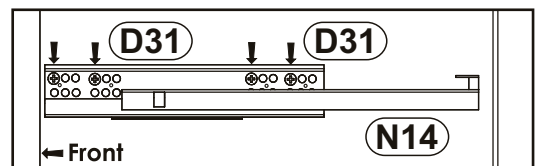
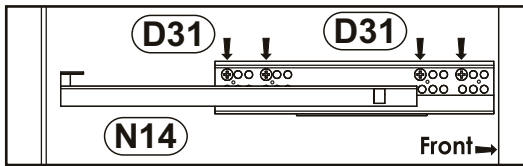
A0	8 x 30mm	x4	C1	18mm	x2	J3	x3
-----------	----------	-----------	-----------	------	-----------	-----------	-----------

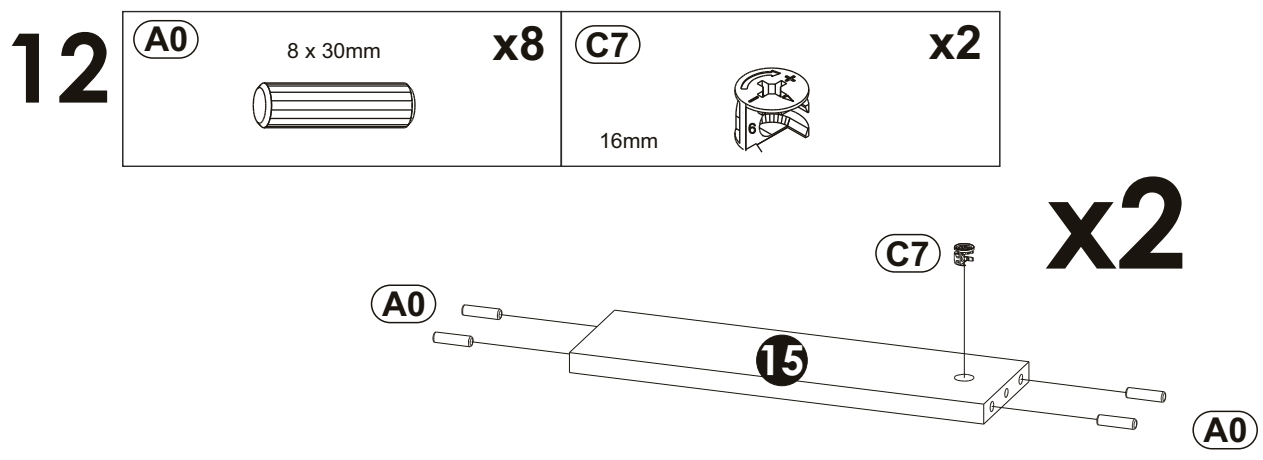
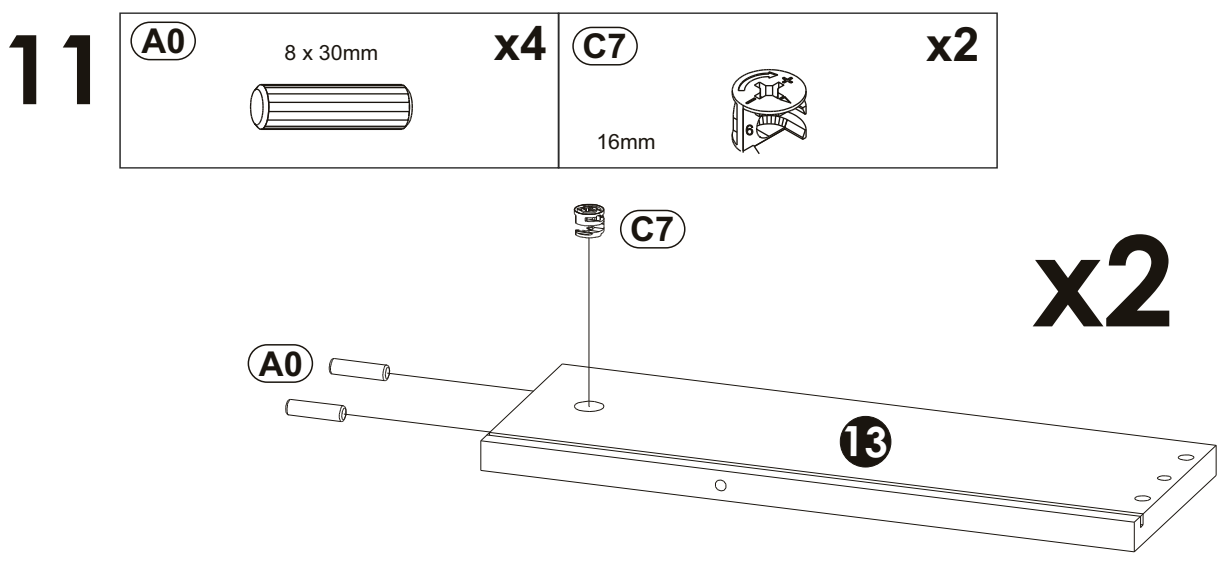
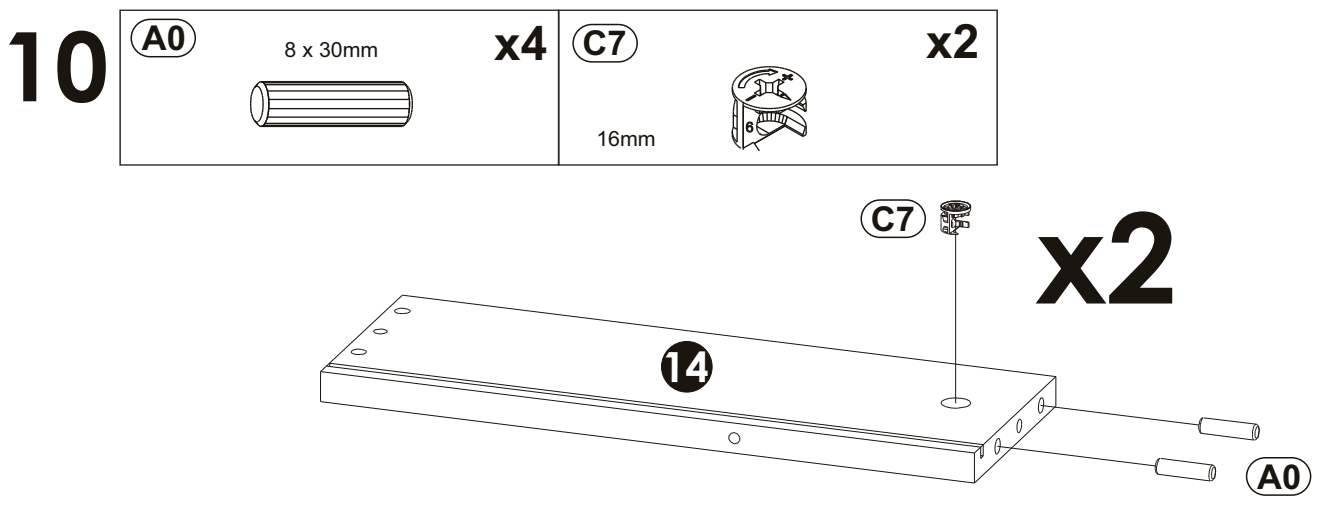
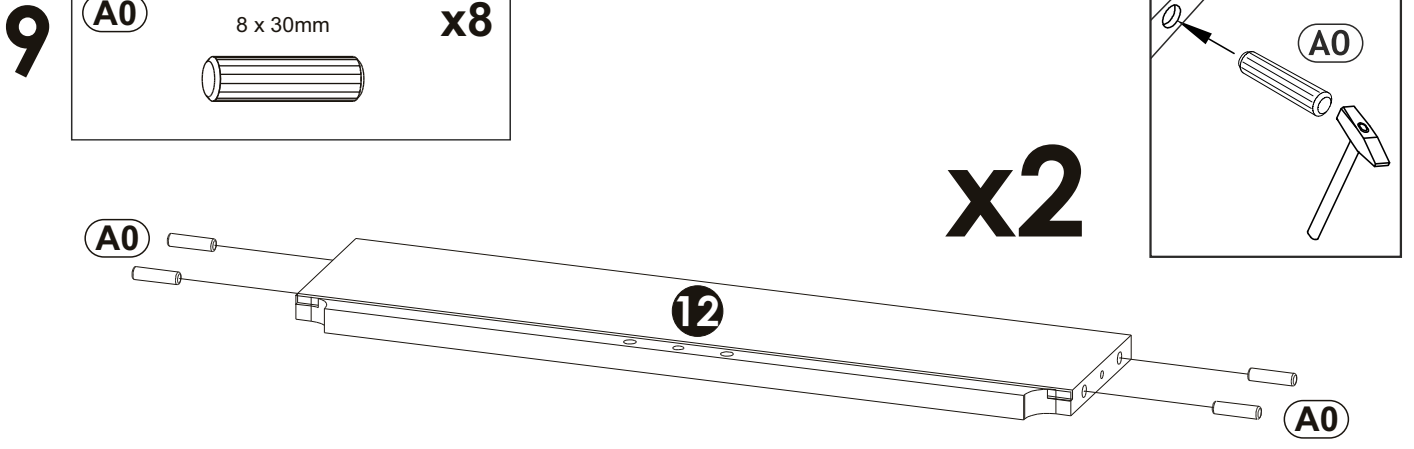


7	A0	8 x 30mm	x4	C1	18mm	x4	C2	x2
								

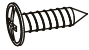
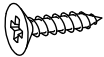
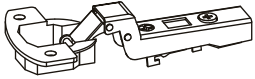



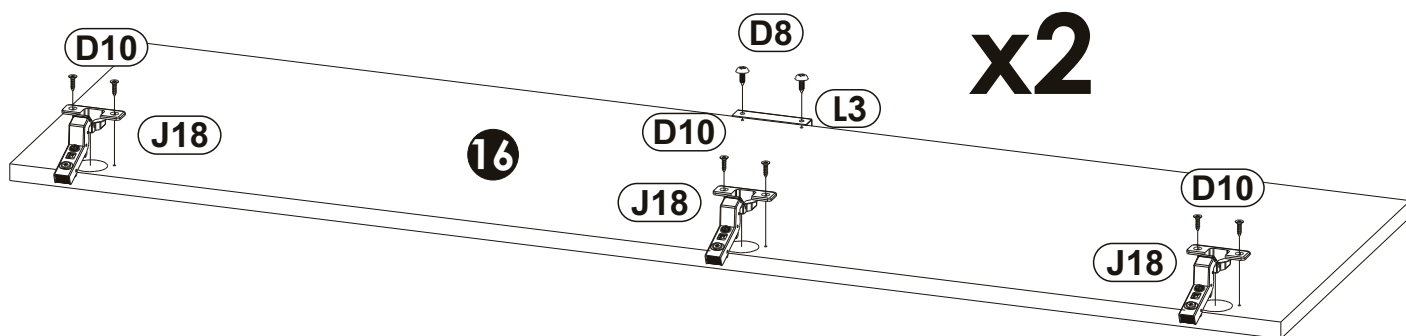
8	A0	8 x 30mm	x4	C1	18mm	x2	D31	6.3 x 13 mm	x8
									
N14		L-350	x1						




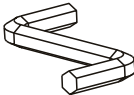


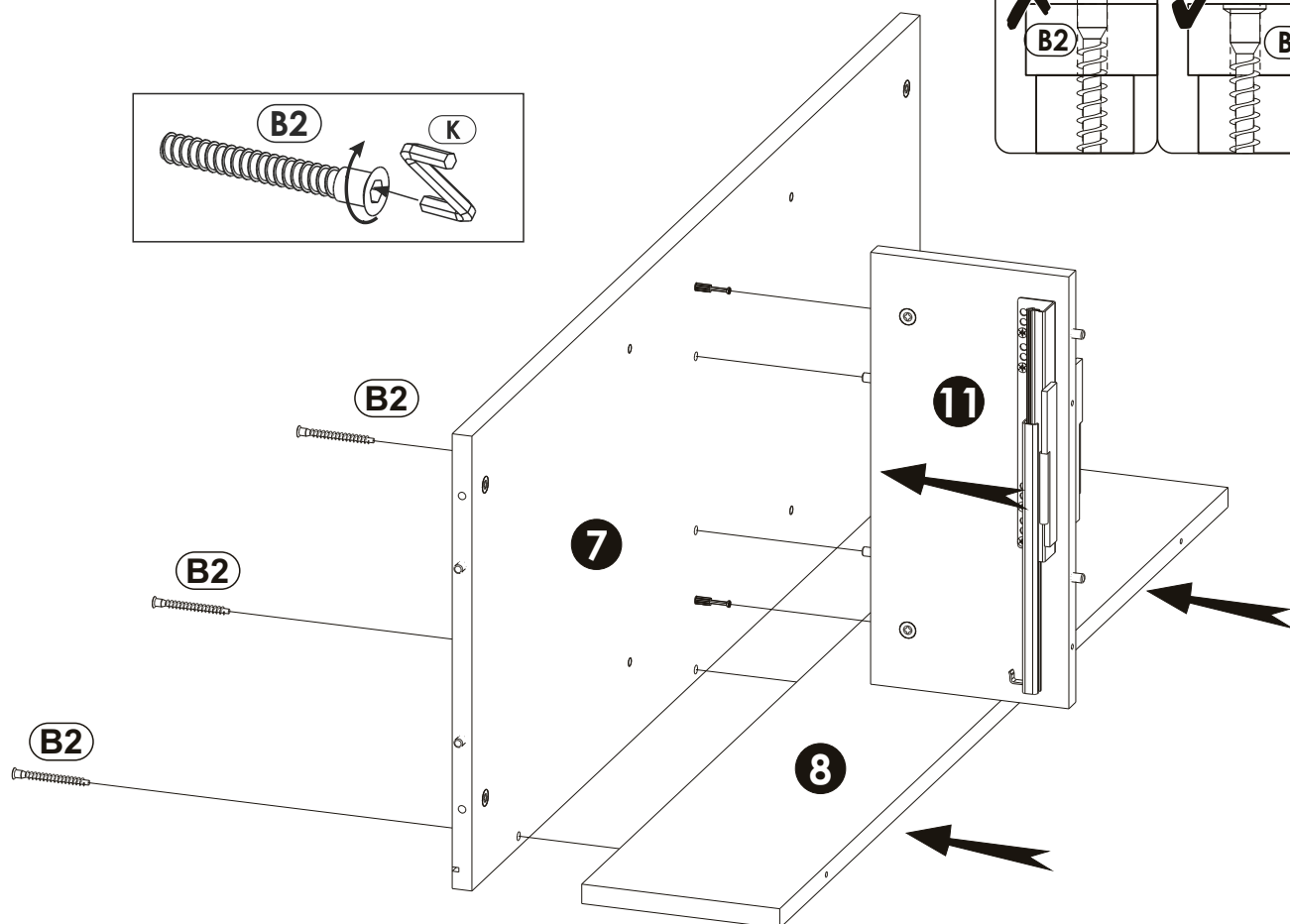
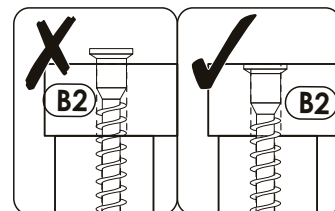
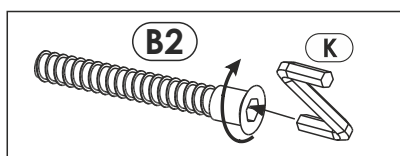
13

D8 3,5 x 13 mm 	x4	D10 4 x 16 mm 	x12	J18 	x6
L3 	x2				



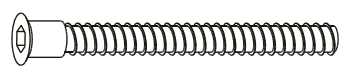
14

B2 f 7 x 70 mm 	x3	K 4mm 	x1
---	-----------	--	-----------

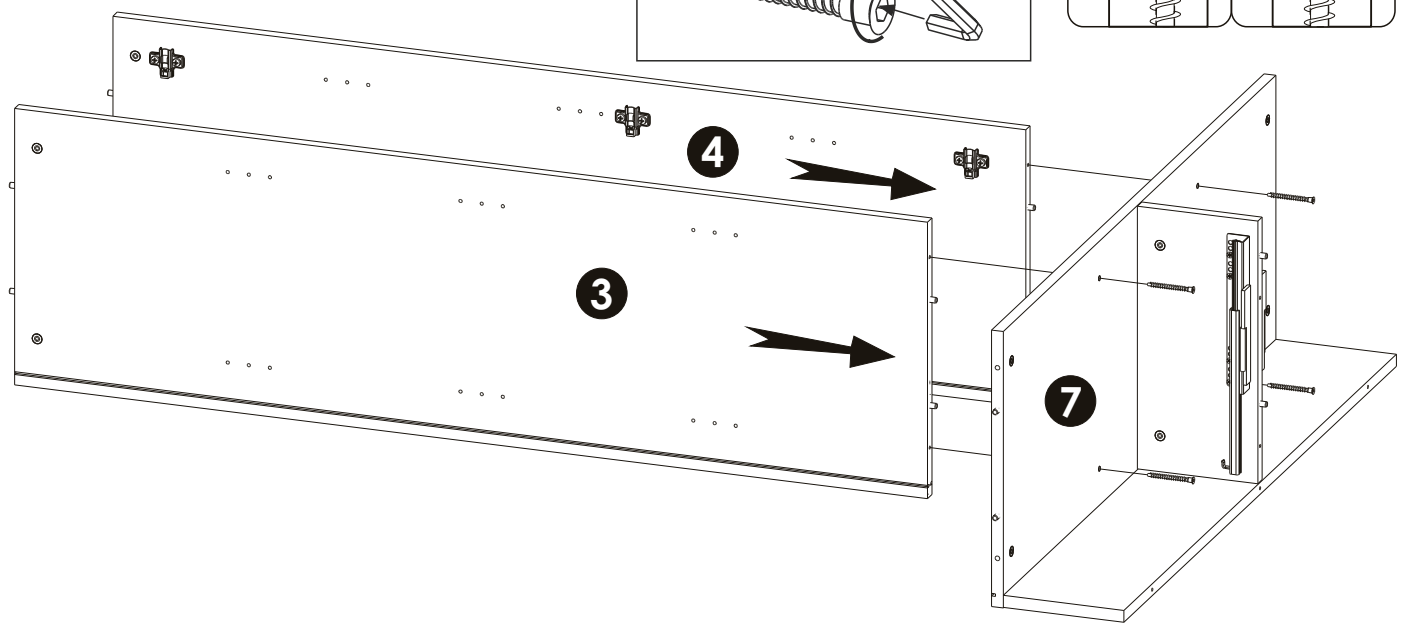
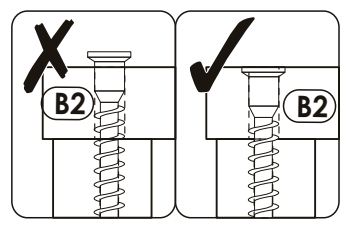
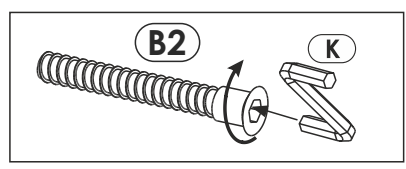
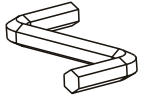


15

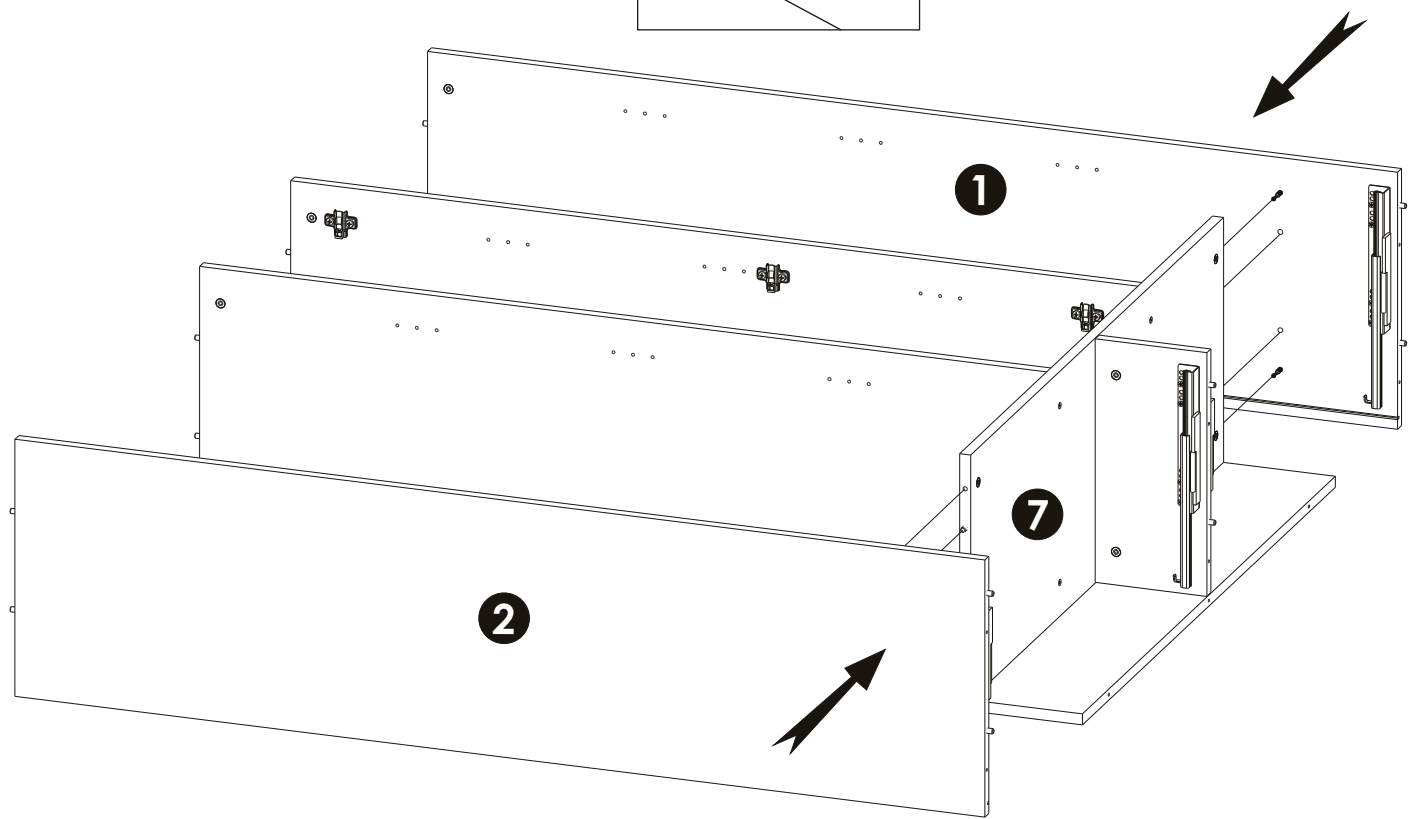
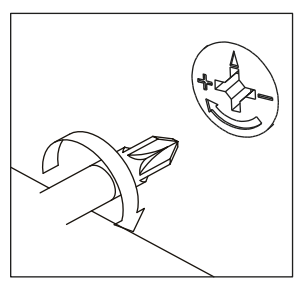
B2	f 7 x 70 mm	x4	K	4mm	x1
-----------	-------------	-----------	----------	-----	-----------



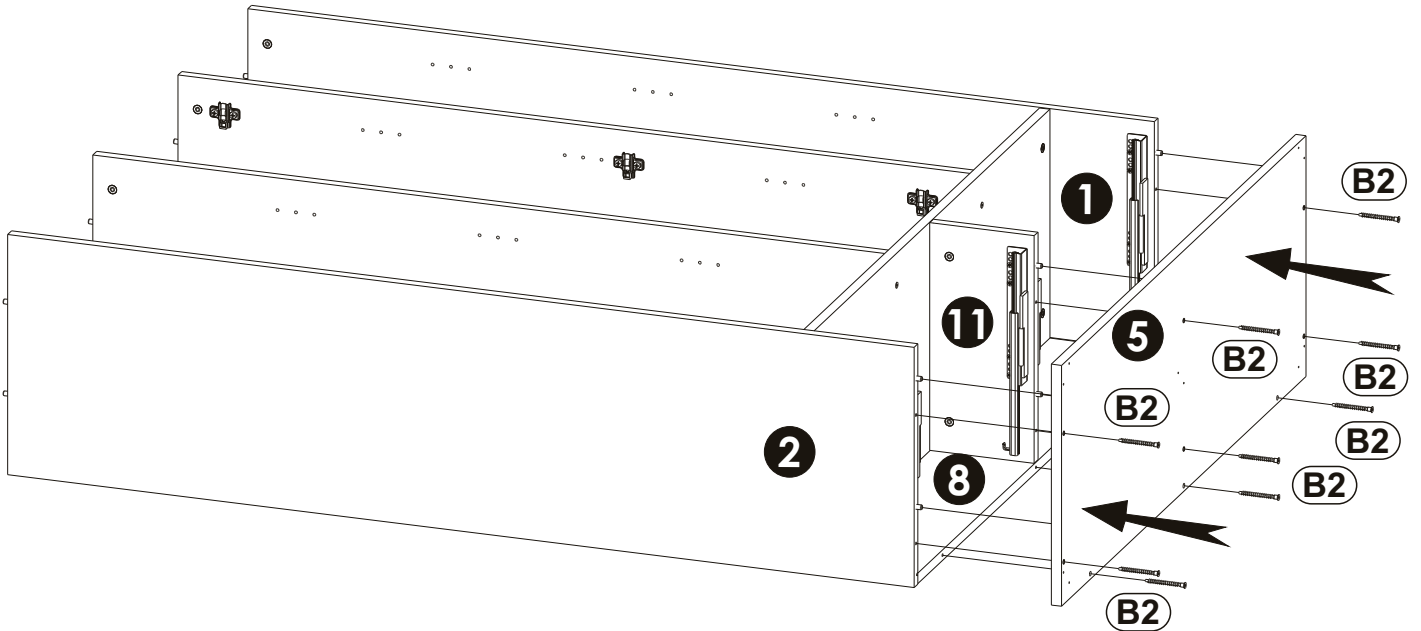
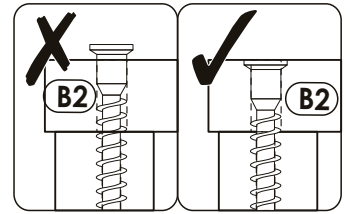
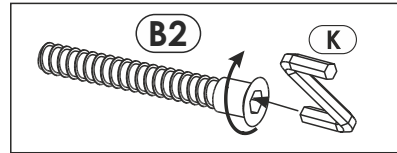
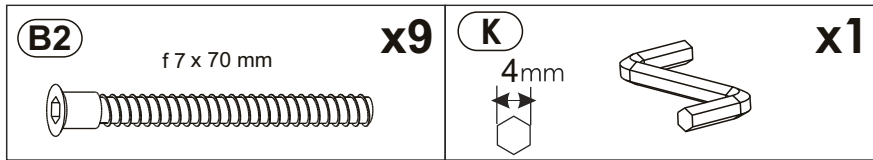
K



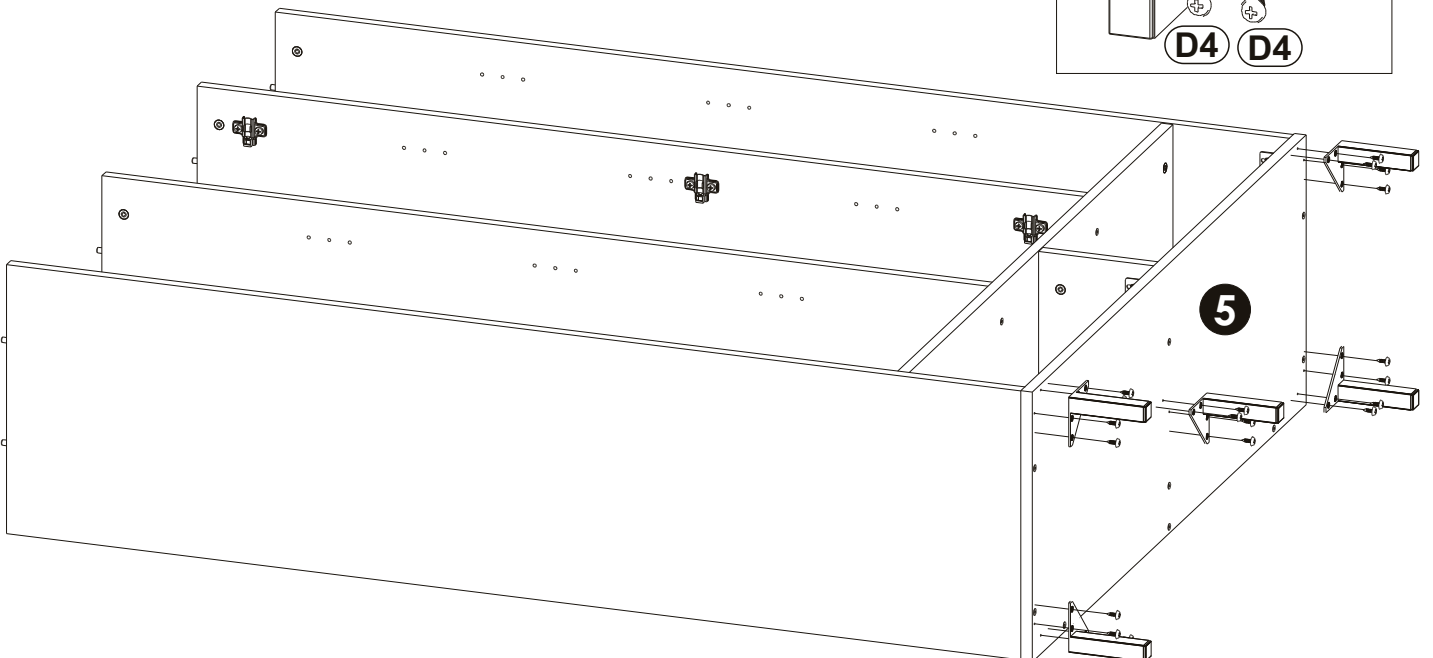
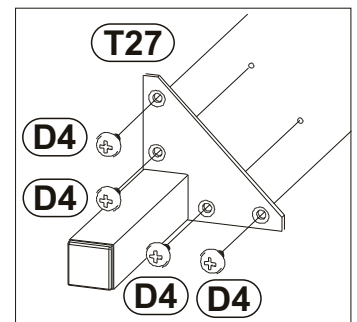
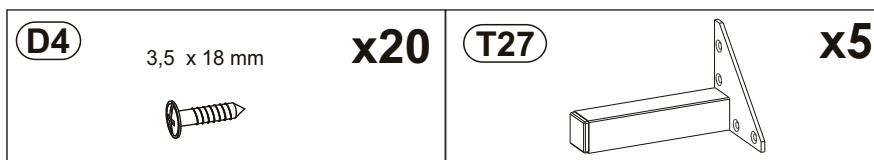
16



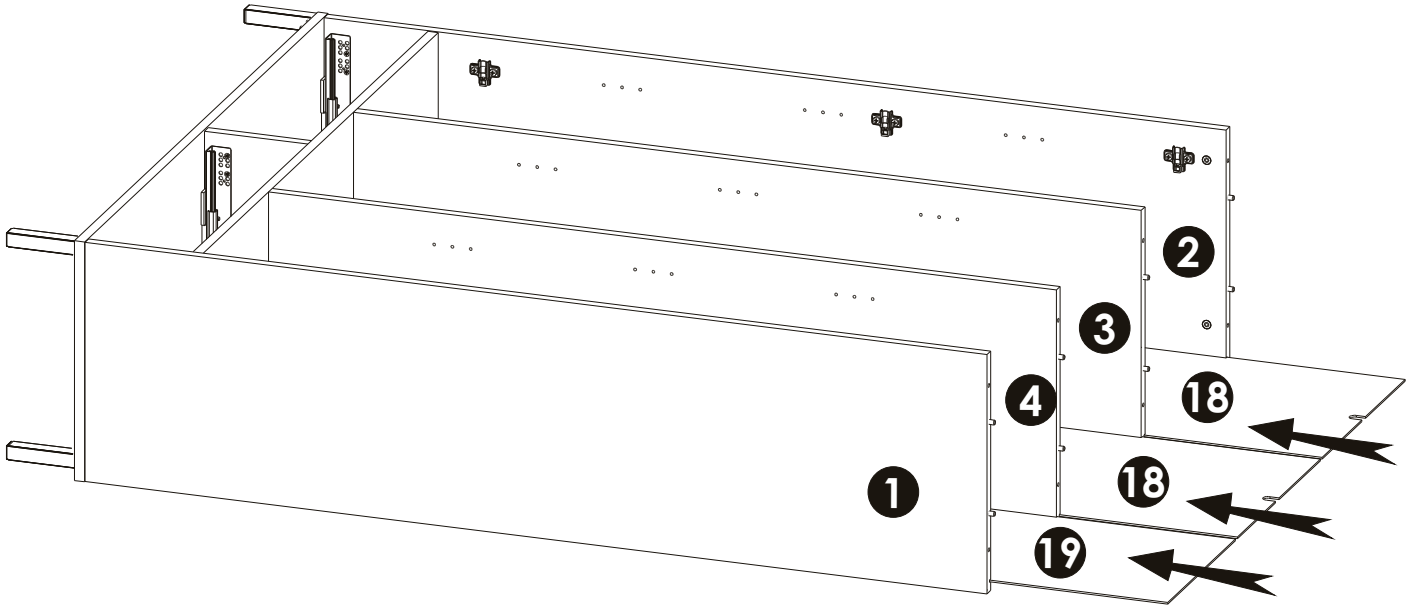
17



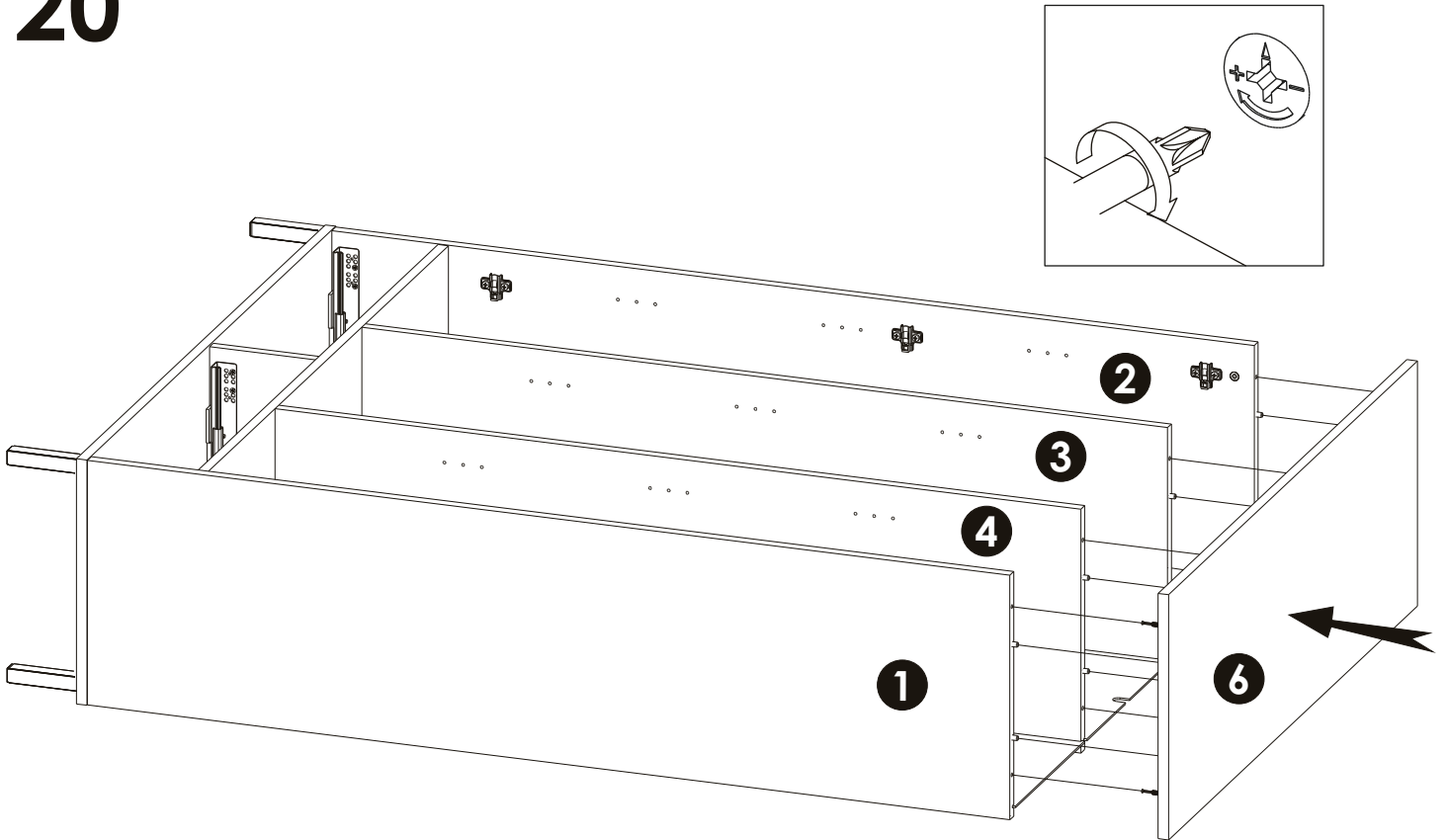
18



19



20



21

D0

3 x 15 mm

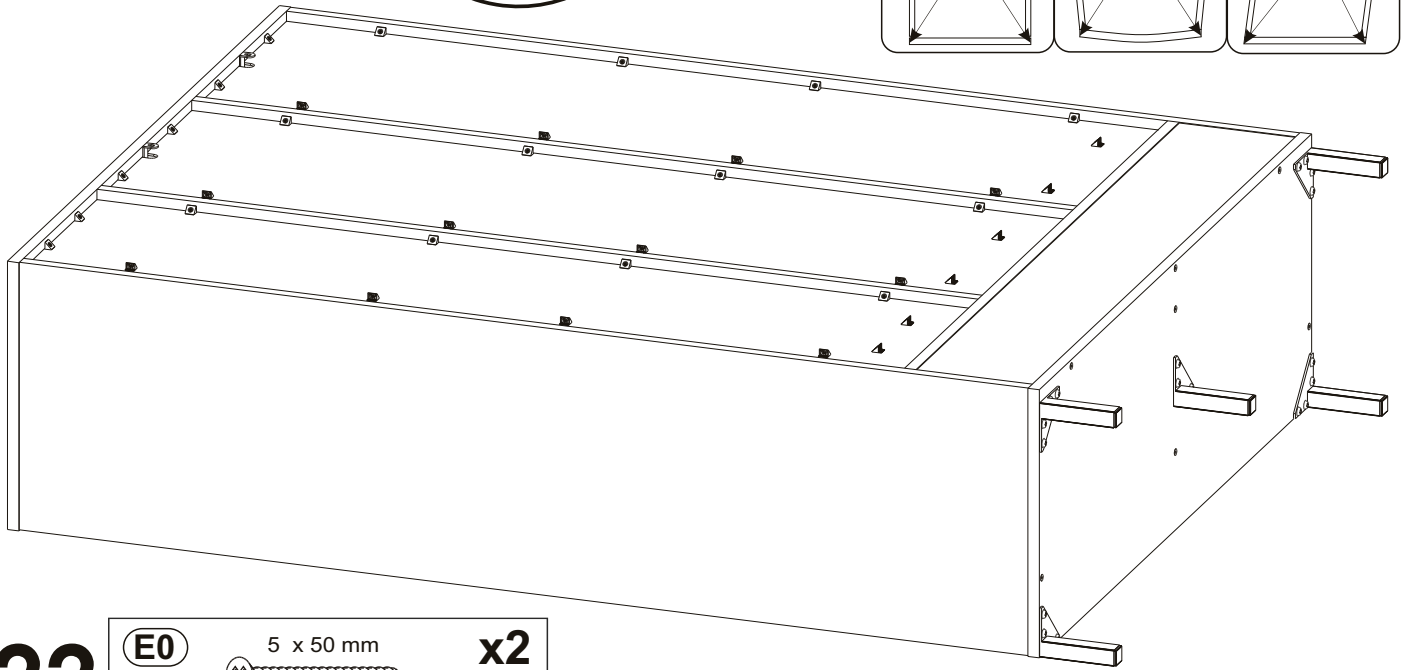
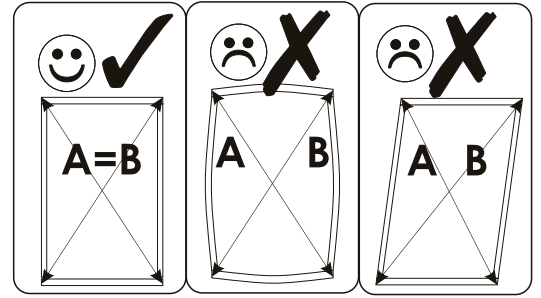
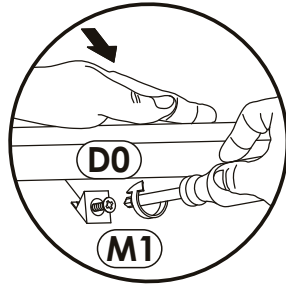
x36



M1



x36



22

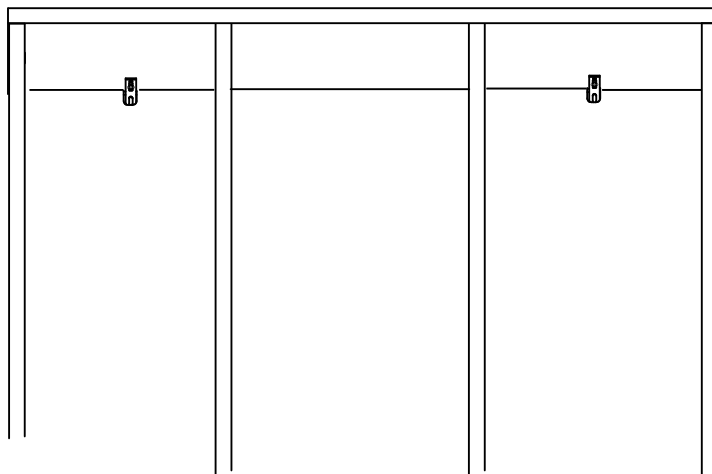
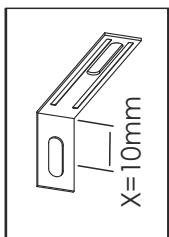
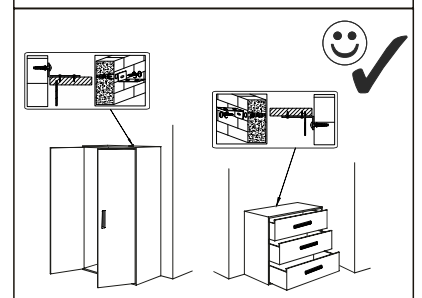
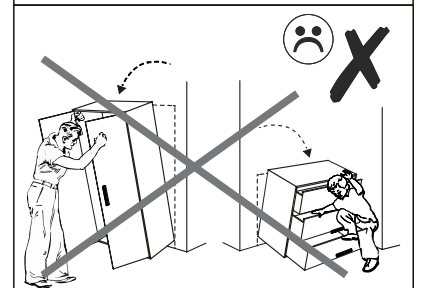
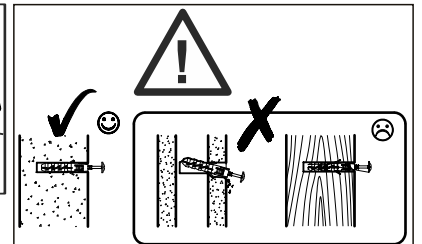
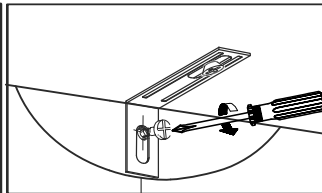
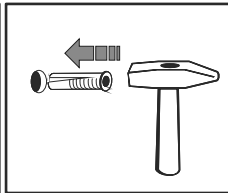
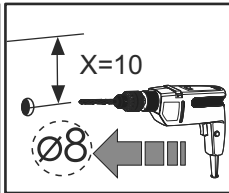
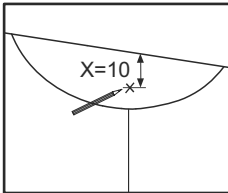
E0

5 x 50 mm

x2



8 x 50 mm

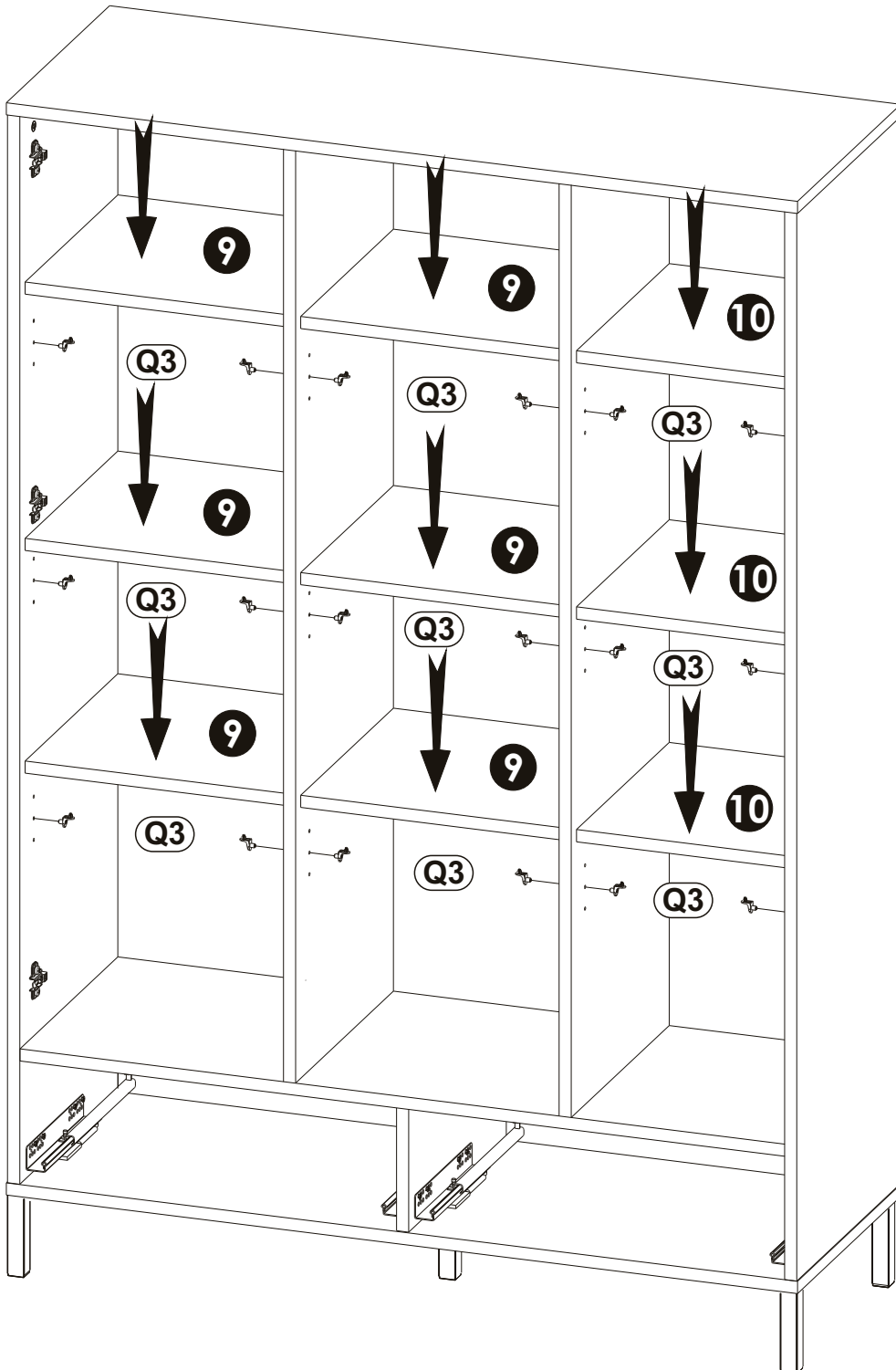
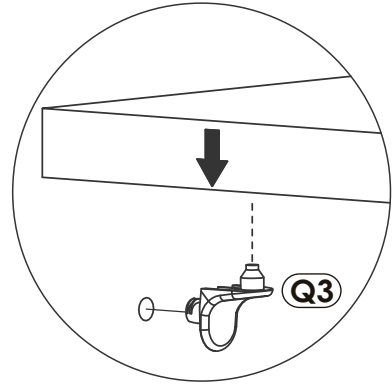


23

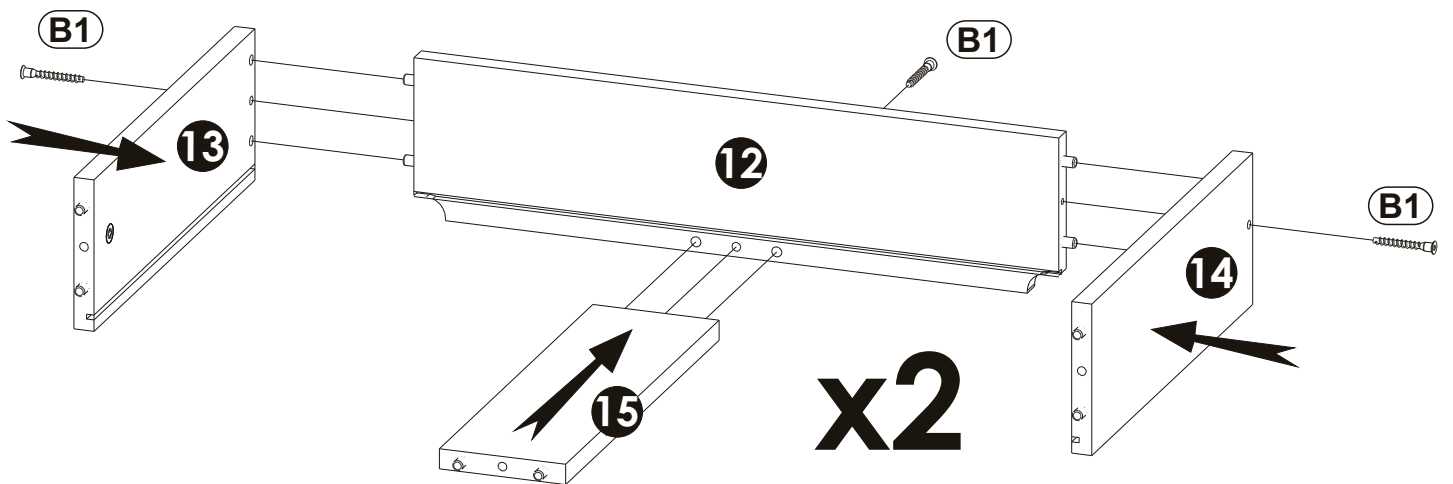
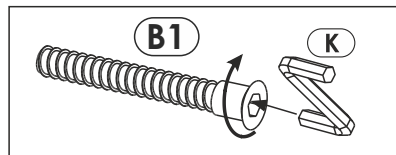
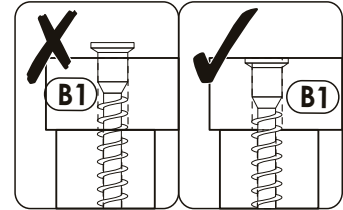
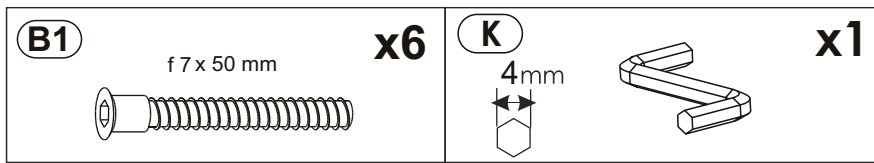
Q3



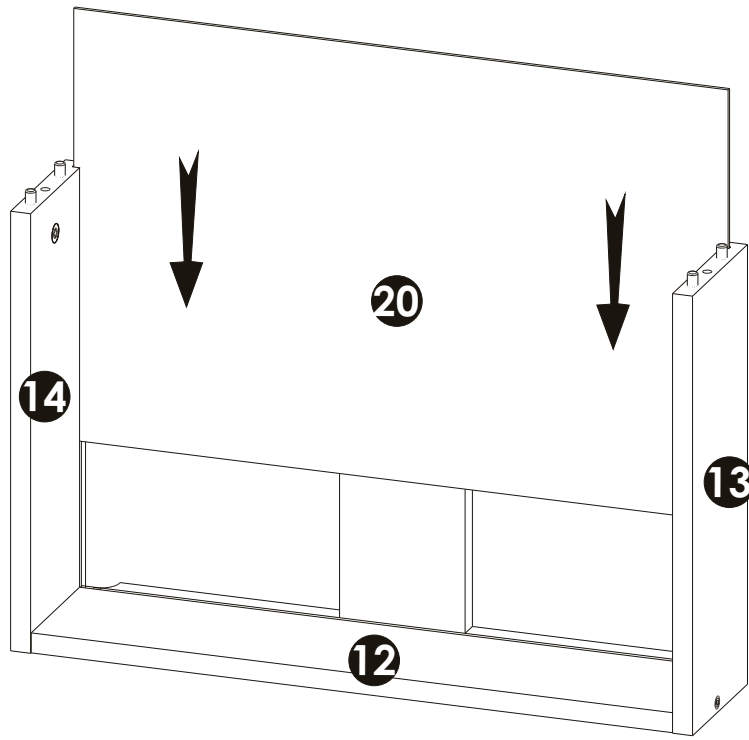
x36



24

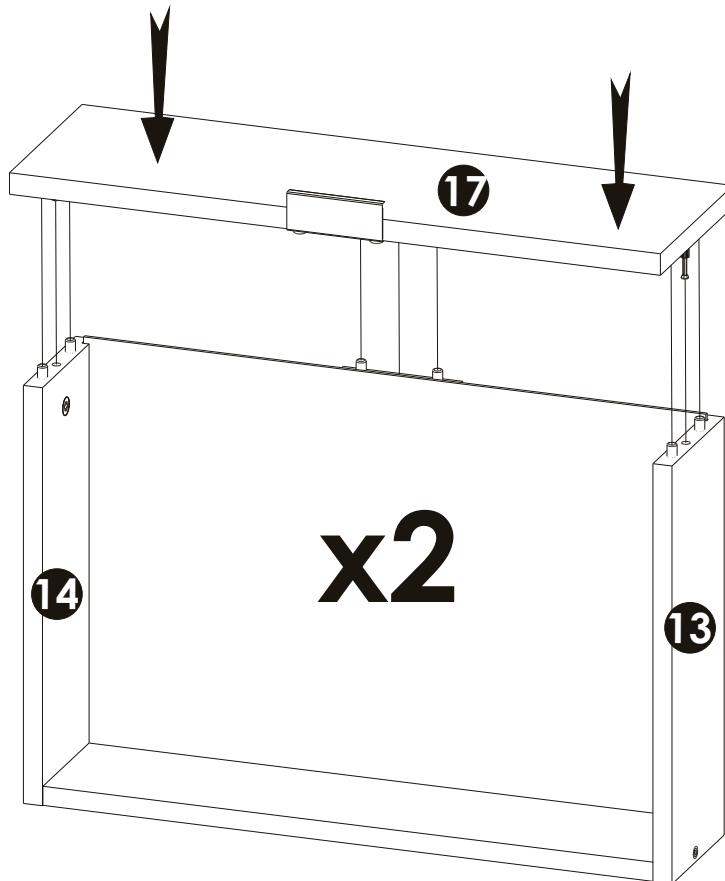


25

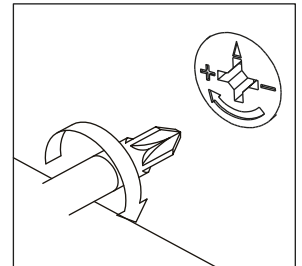


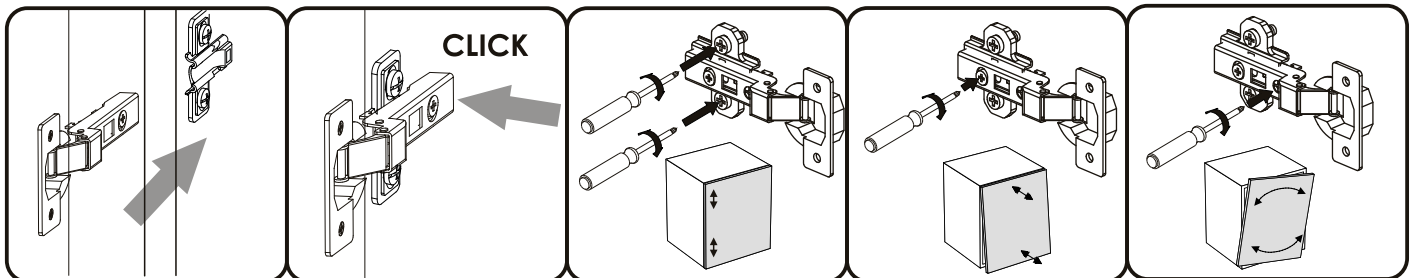
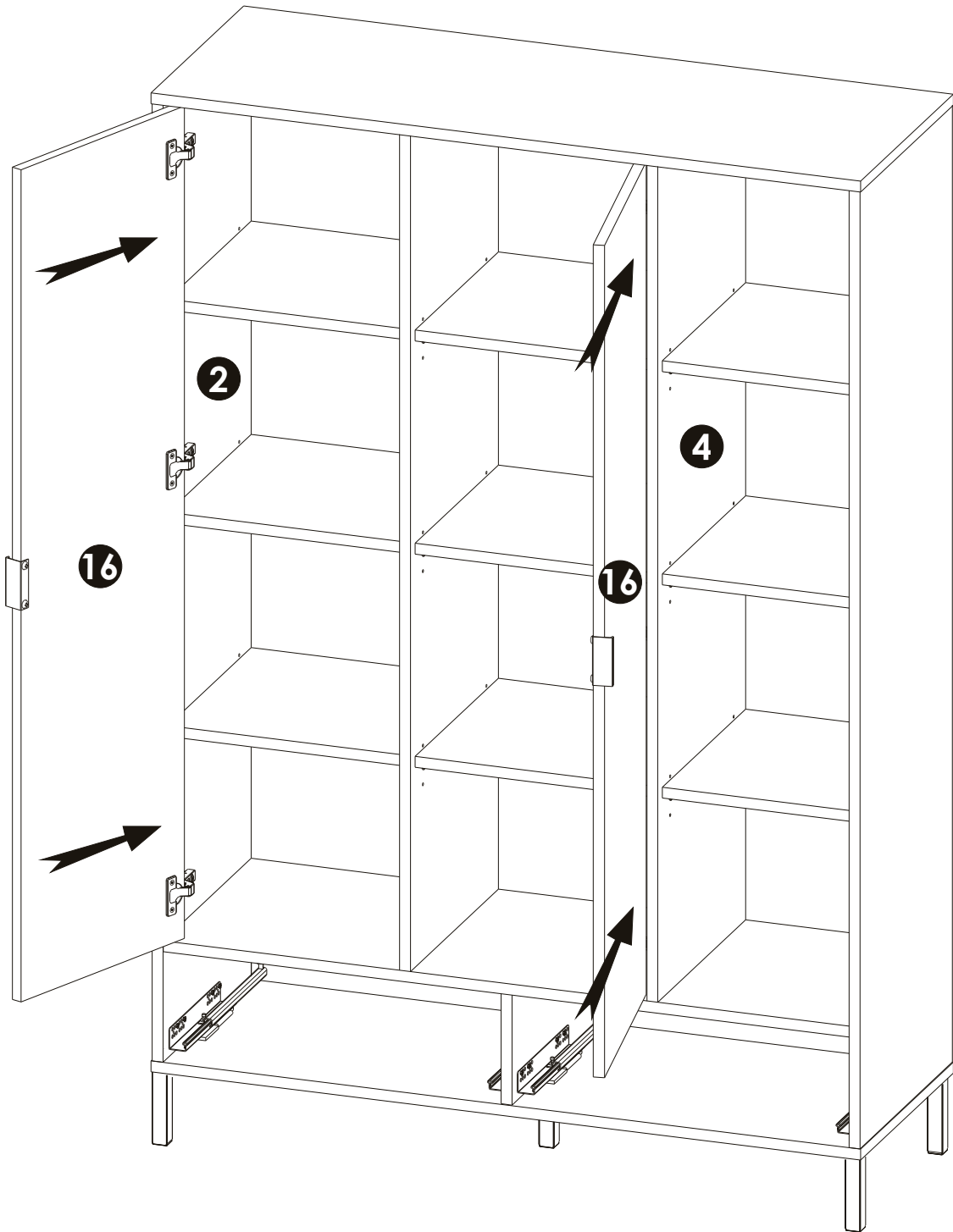
x2

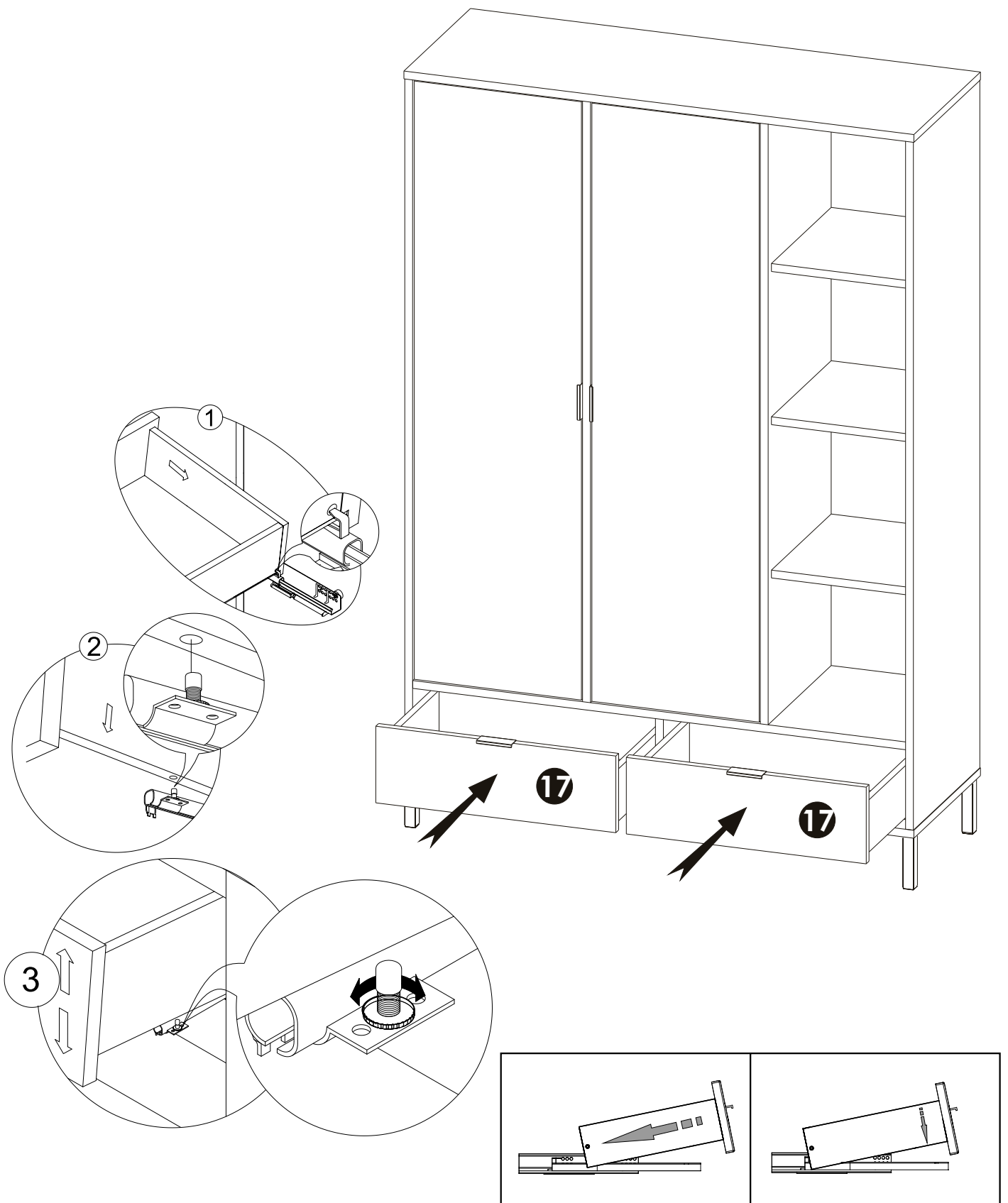
26



x2







29

