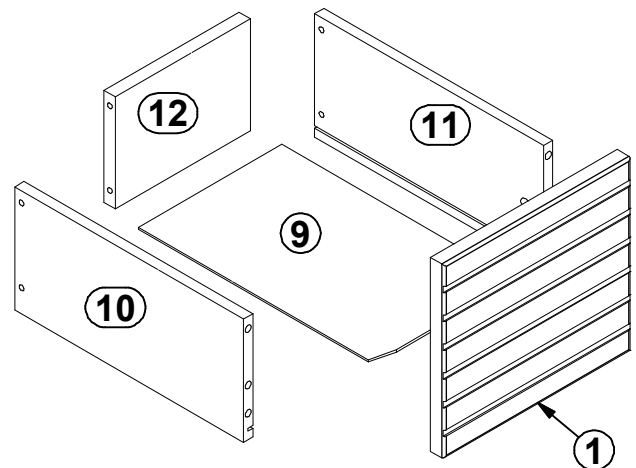
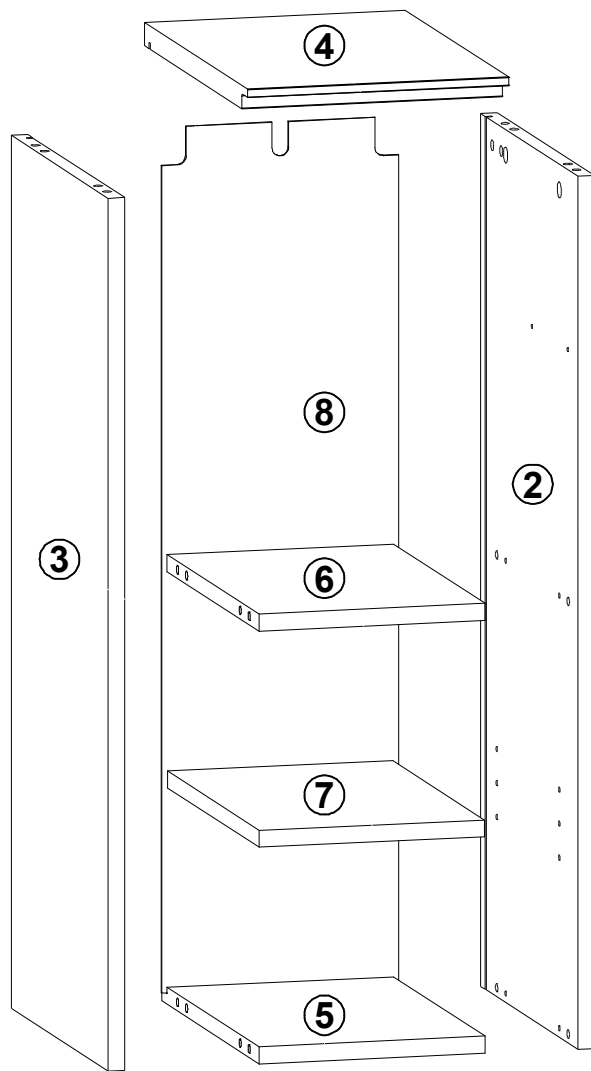
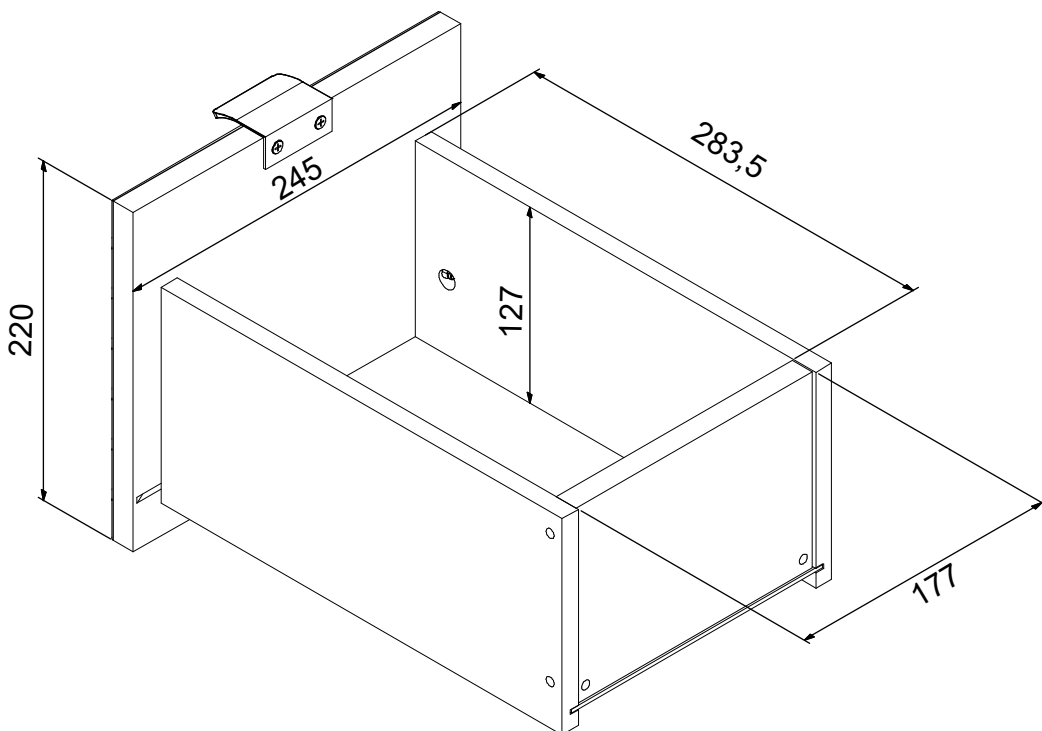
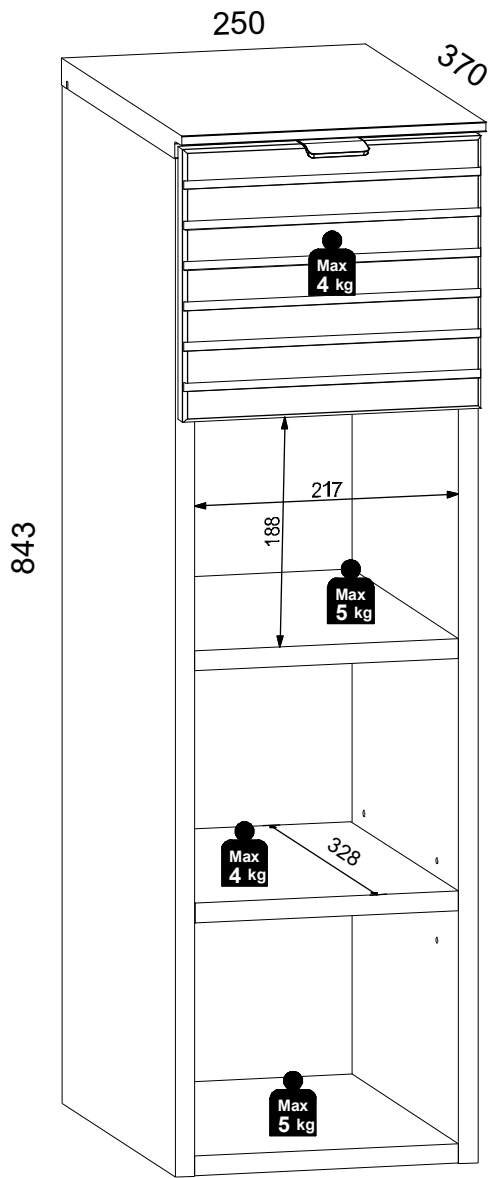




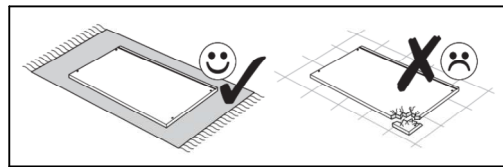
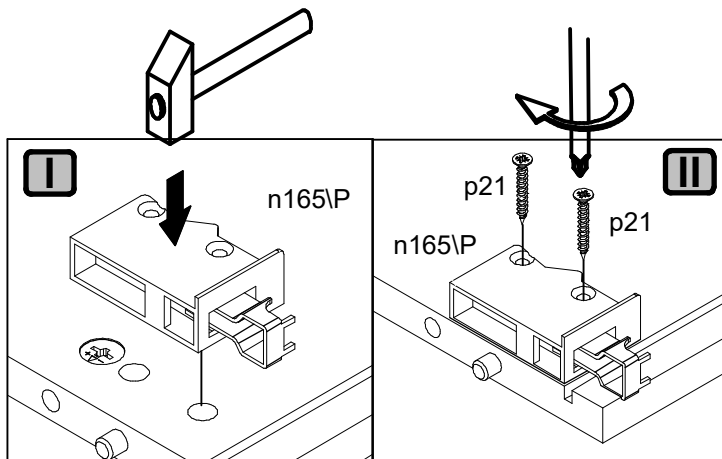
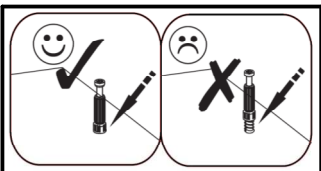
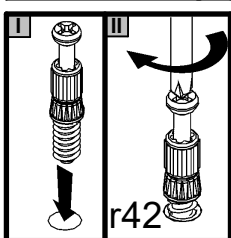
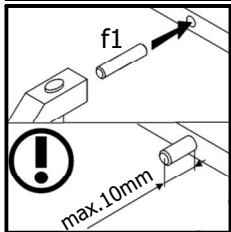
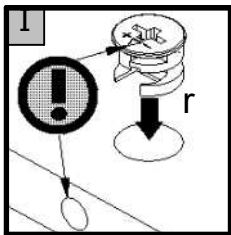
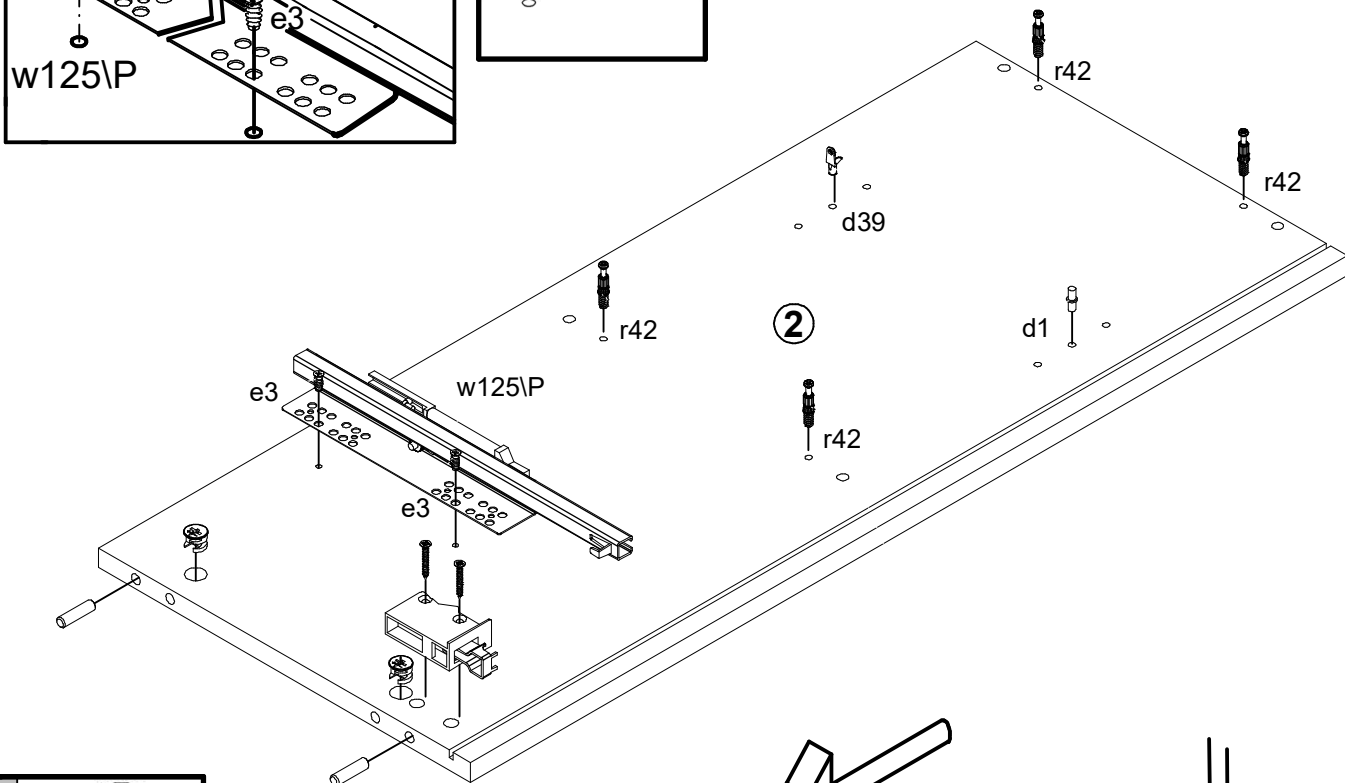
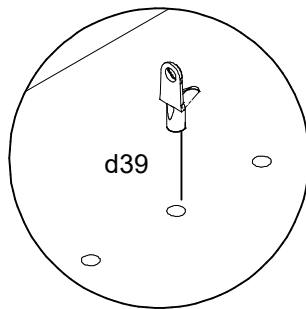
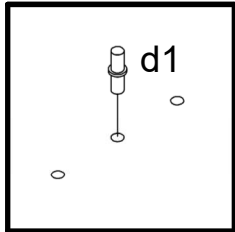
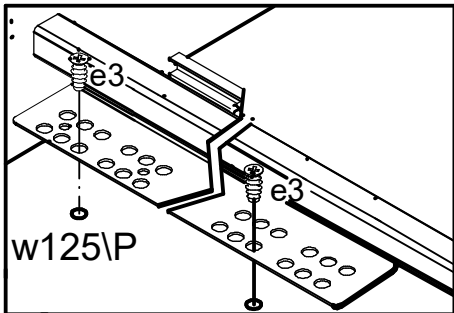
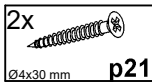
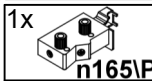
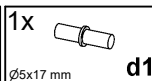
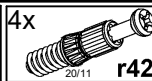
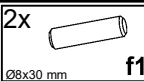
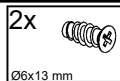
1x c496	2x ∅5x17 mm d1	4x ∅6x13 mm e3	16x ∅8x30 mm f1	4x ∅6.5x40 mm f25
2x ∅10x50 mm f35	4x l2	1x n165L	1x n165P	4x ∅4x30 mm p21
2x ∅3.5x15 mm p51	7x ∅2.9x16 mm p55	2x ∅6x80 mm p127	12x ∅15x12 mm #16 r1	2x ∅12x10.5 mm #12 r15
14x 20/11 r42	1x 300mm w125L	1x 300mm w125P	8x ∅20mm s68	2x d39
2x ∅2.5x13 mm p15				

A	B1	B2	C1	C2	C3	C4	D
1	M278-0005	-	245	220	18	1	1/1
2	M278-1005	-	821	348	16	1	1/1
3	M278-1006	-	821	348	16	1	1/1
4	M278-2003	-	250	370	22	1	1/1
5	M278-3007	-	217	348	16	1	1/1
6	M278-3008	-	217	328	16	1	1/1
7	M278-3009	-	216	328	16	1	1/1
8	M278-9001	-	814	227	2,5	1	1/1
9	WSP-9626	-	188	308	2,5	1	1/1
10	WSQ3-5003	-	300	140	12	1	1/1
11	WSQ3-5004	-	300	140	12	1	1/1
12	ZQ6-5447	-	177	127	15	1	1/1



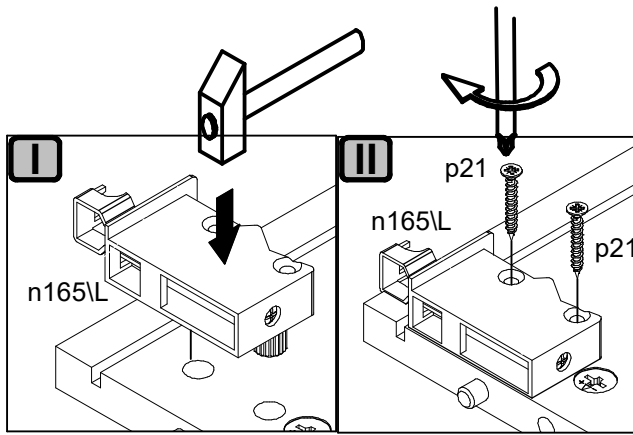


1 ▶

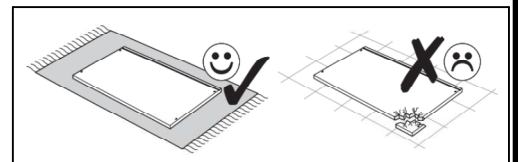
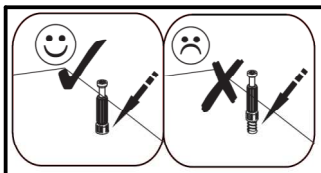
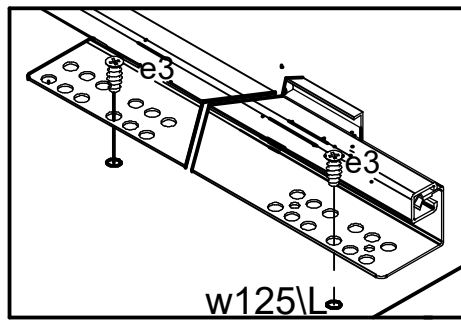
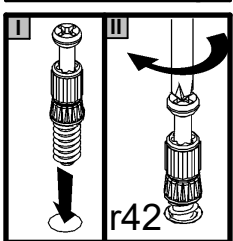
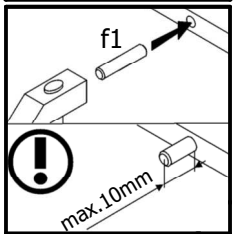
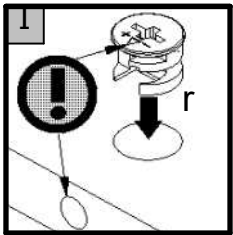
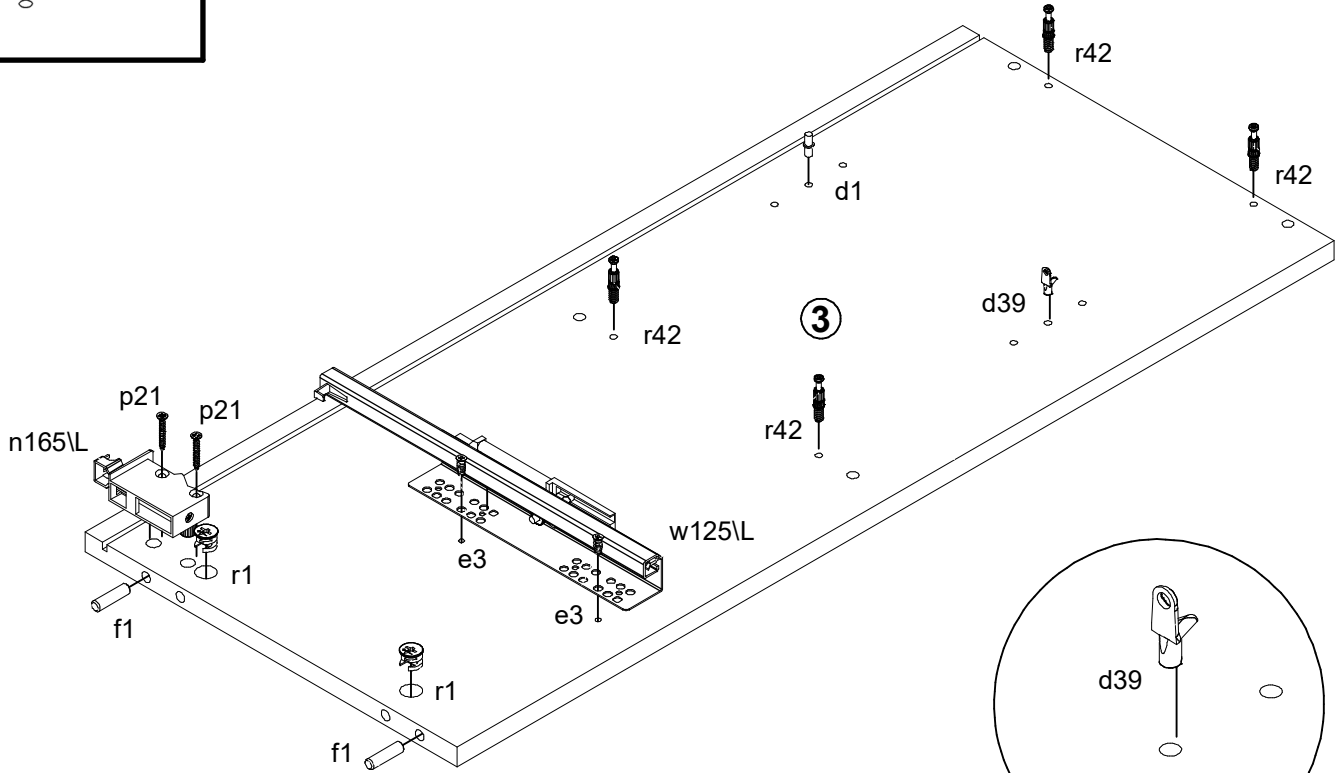
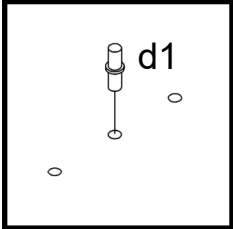


2x Ø6x13 mm e3	1x 300mm w125\L	2x Ø8x30 mm f1	2x Ø15x12 mm #16 r1	4x 20/11 r42
----------------------	-----------------------	----------------------	---------------------------	--------------------

2 ▶

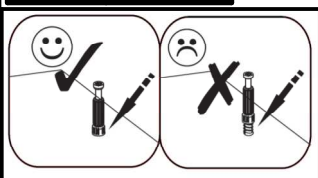
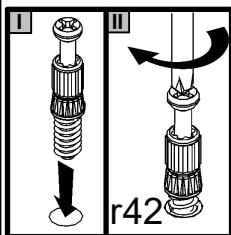
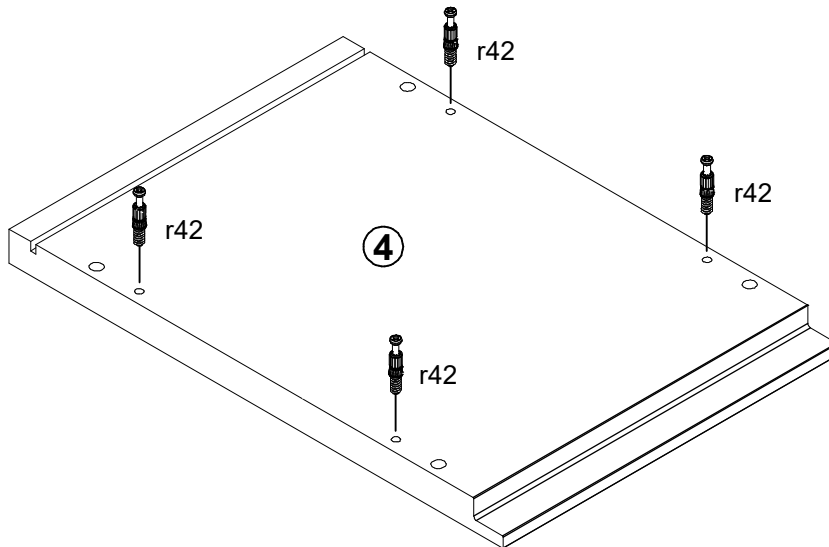


1x Ø5x17 mm d1
1x n165\L
2x Ø4x30 mm p21
1x d39

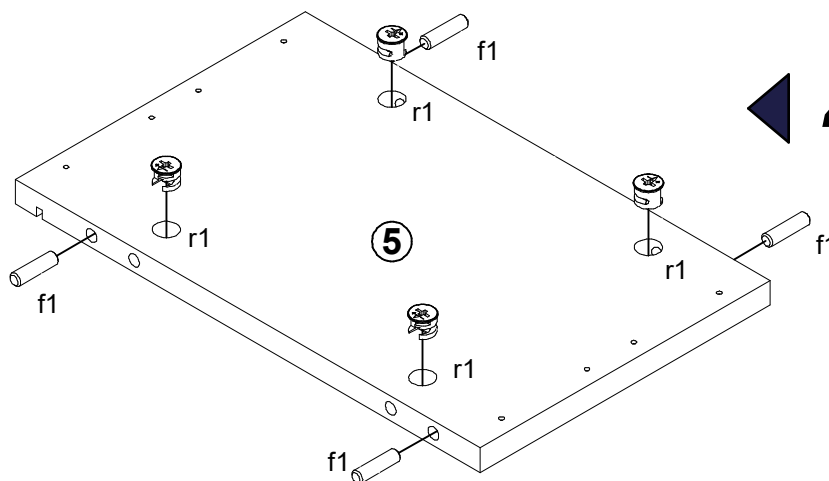


4x 20/11 r42	8x Ø8x30 mm f1	8x Ø15x12 mm #16 r1
--------------------	----------------------	---------------------------

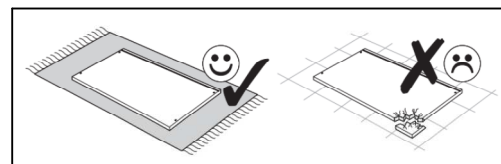
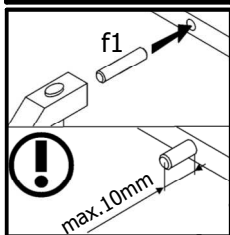
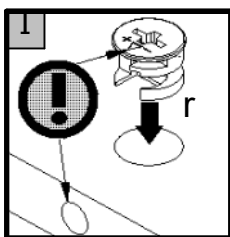
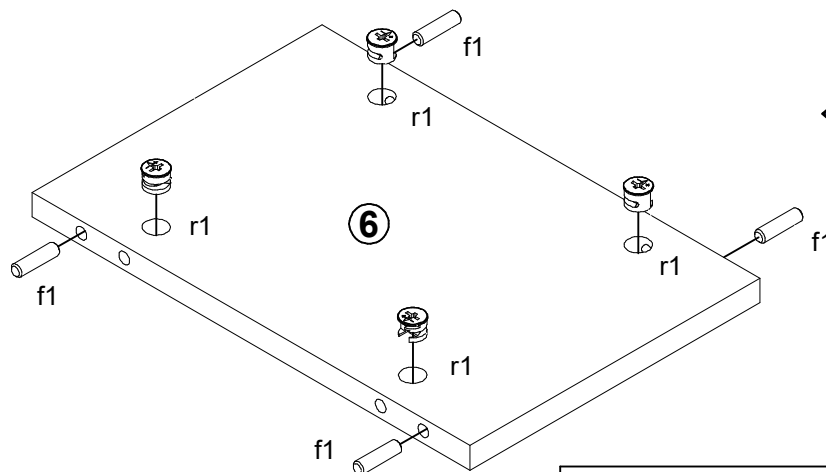
3 ▶



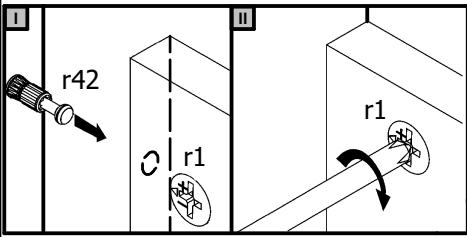
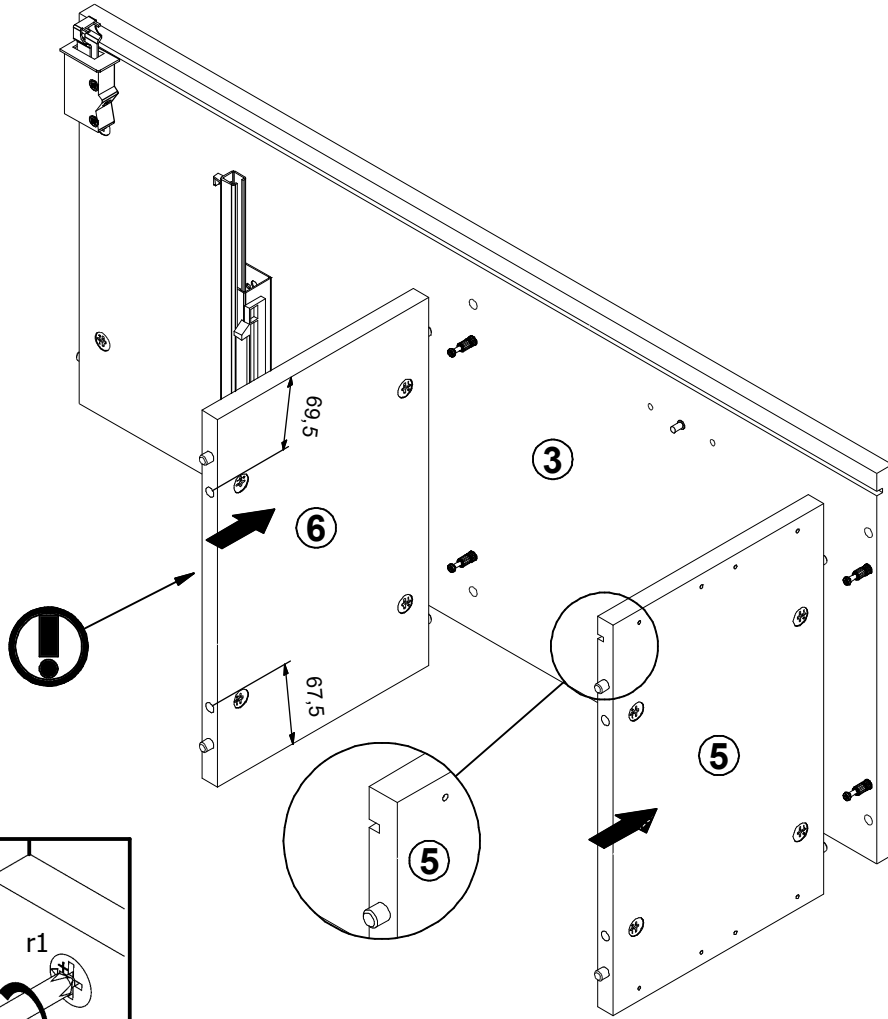
◀ 4



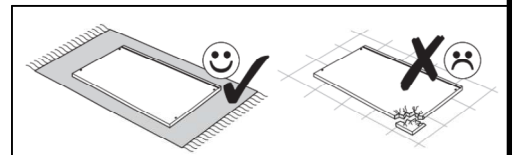
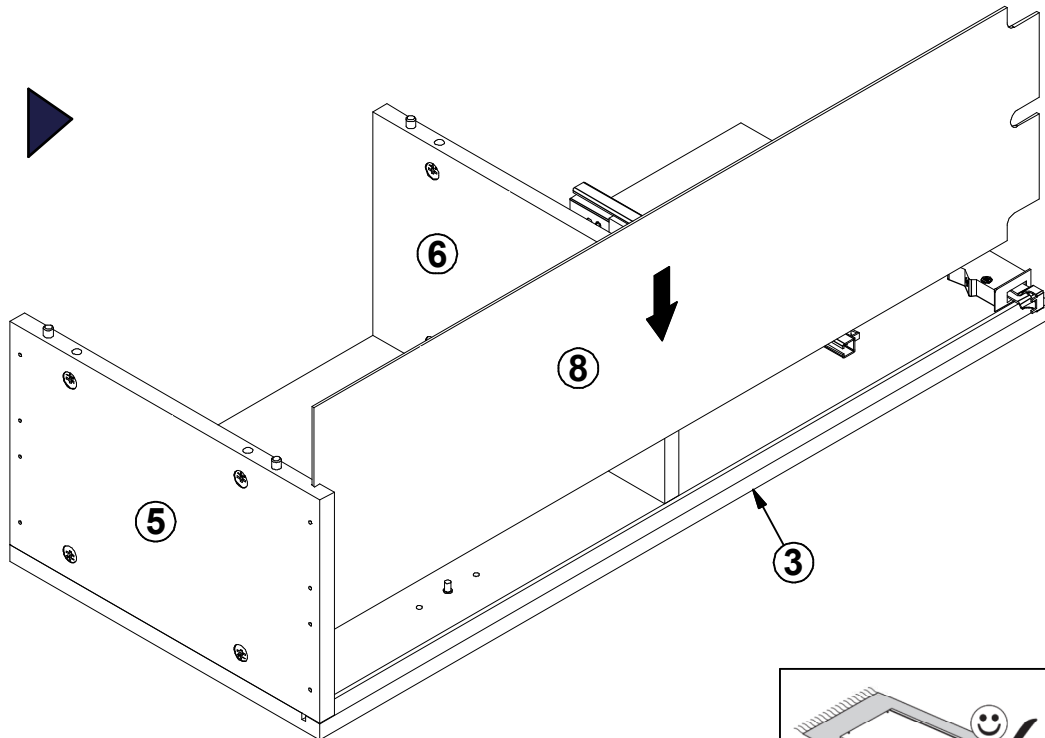
◀ 5



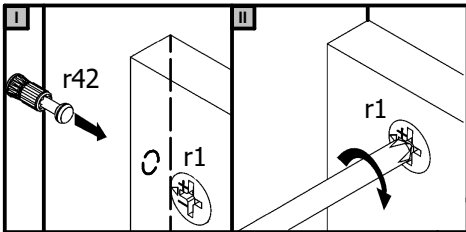
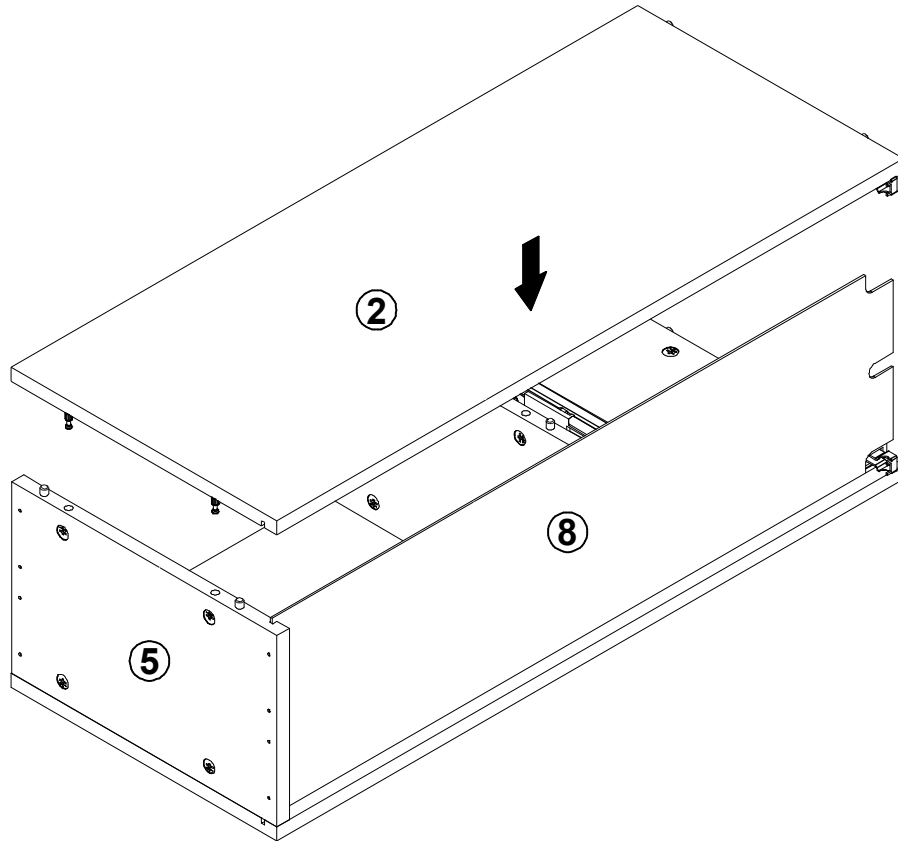
6 ▶



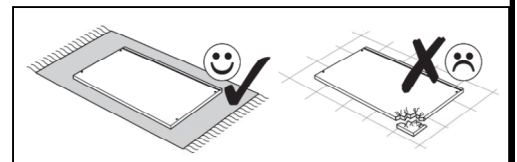
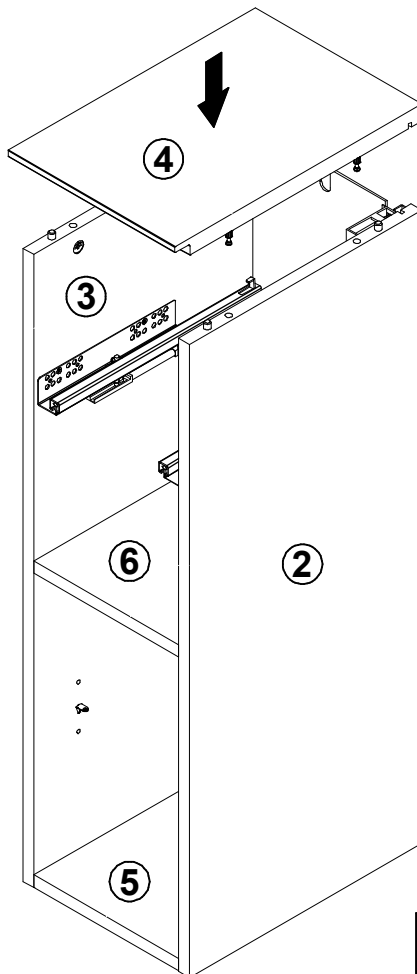
7 ▶



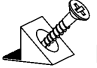
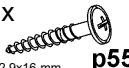
8 ▶



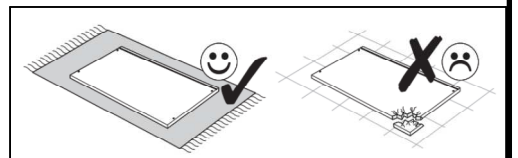
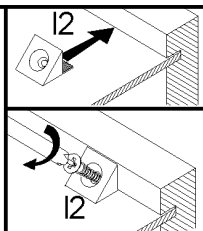
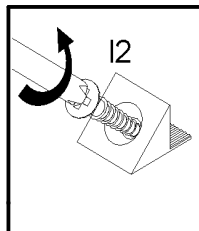
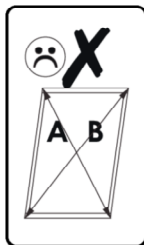
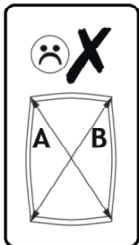
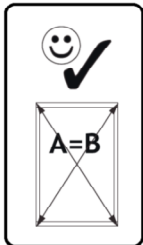
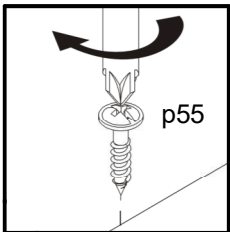
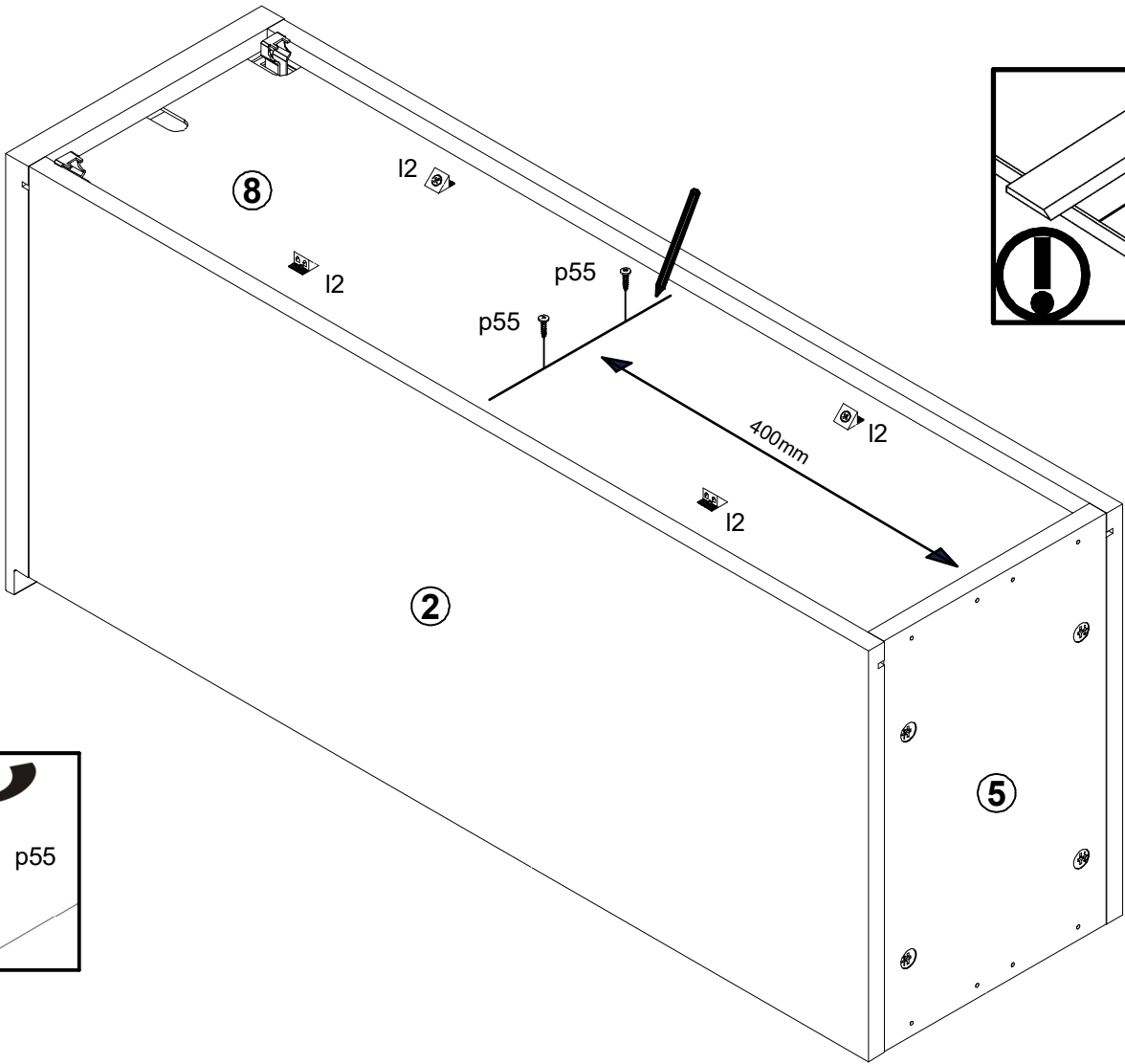
9 ▶



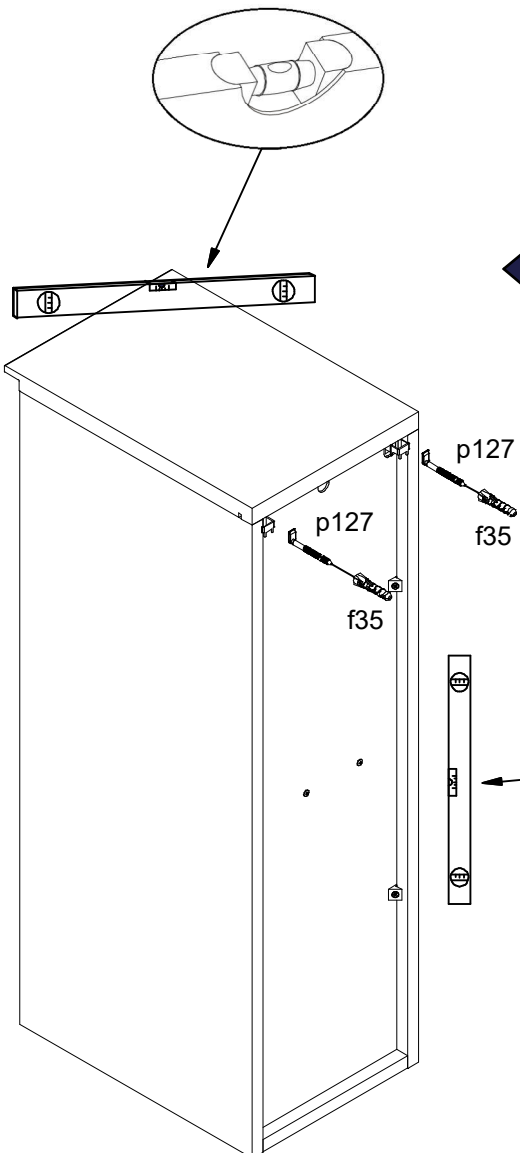
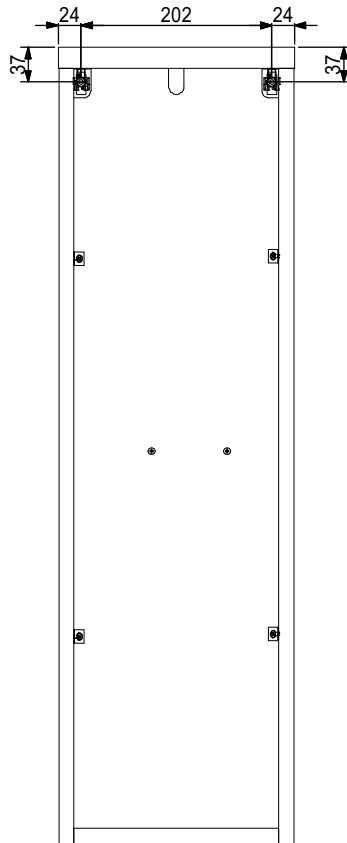


- 4x  I2
- 2x  p55  
Ø2.9x16 mm

# 10



11 ▶



▶ 12

	$\phi 10$ mm 			
--	------------------	--	--	--

--	--	--	--



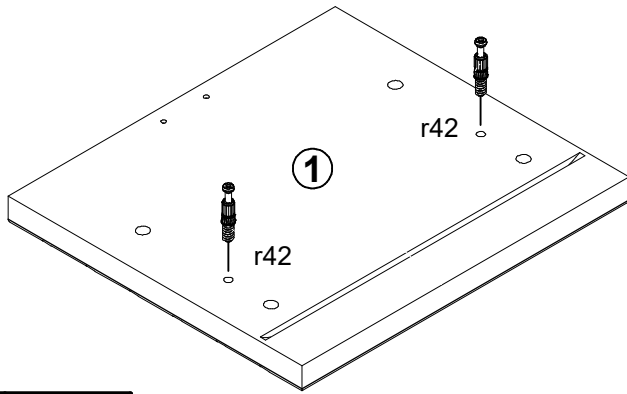
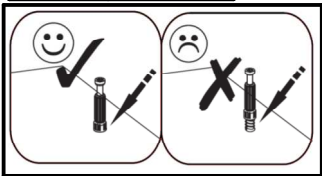
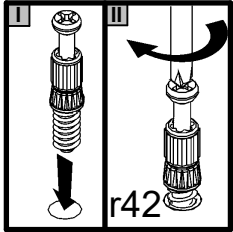
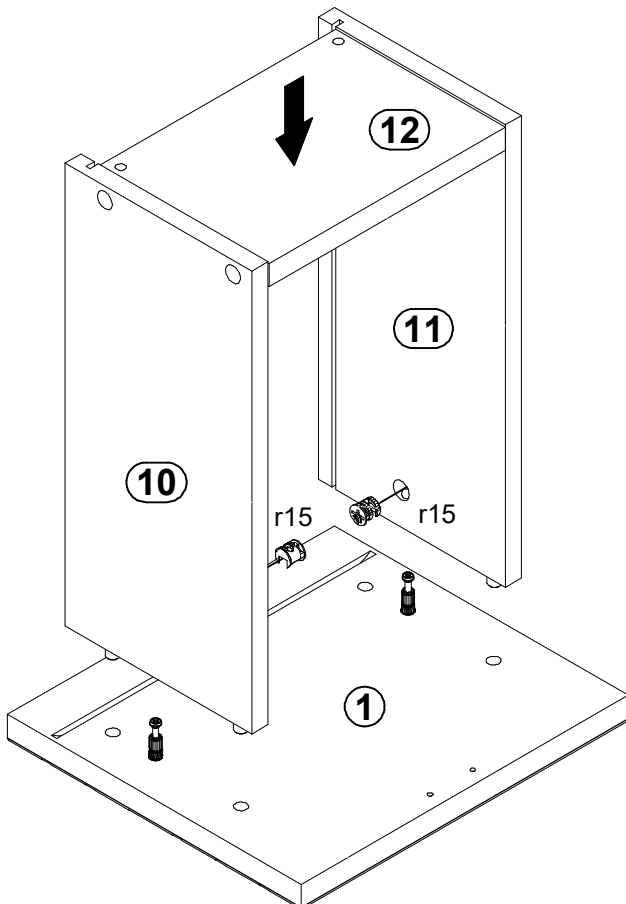
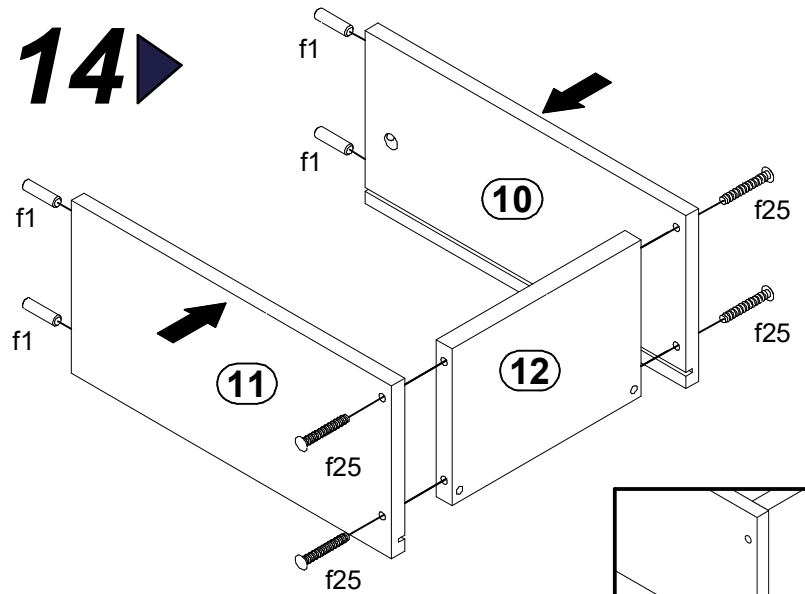
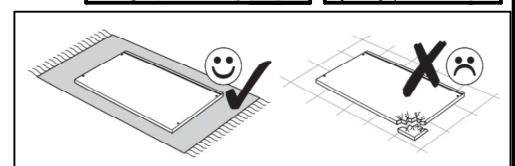
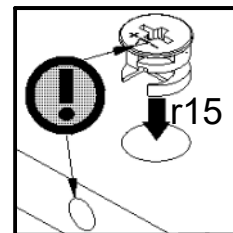
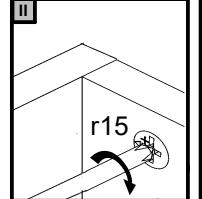
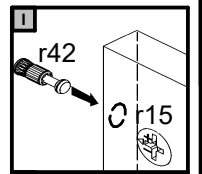
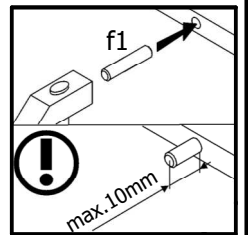
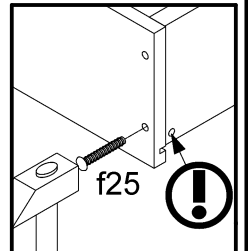

--	--	--

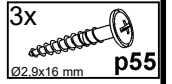
2x 	$\phi 10 \times 50$ mm f35
2x 	$\phi 6 \times 60$ mm p127

--	--	--

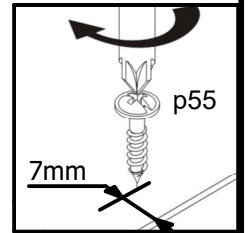
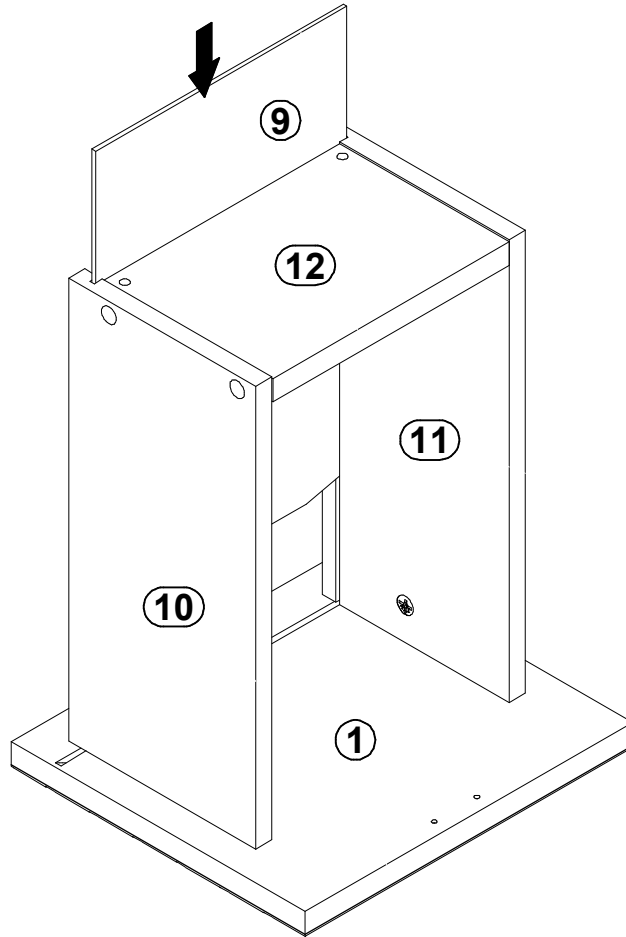
**A****M278-SFW1S****30 H8 99 25**

11 / 13

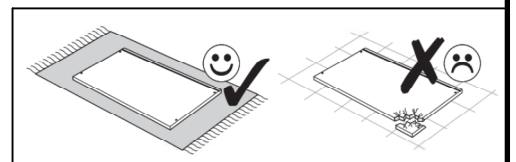
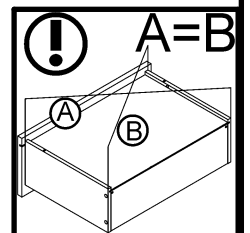
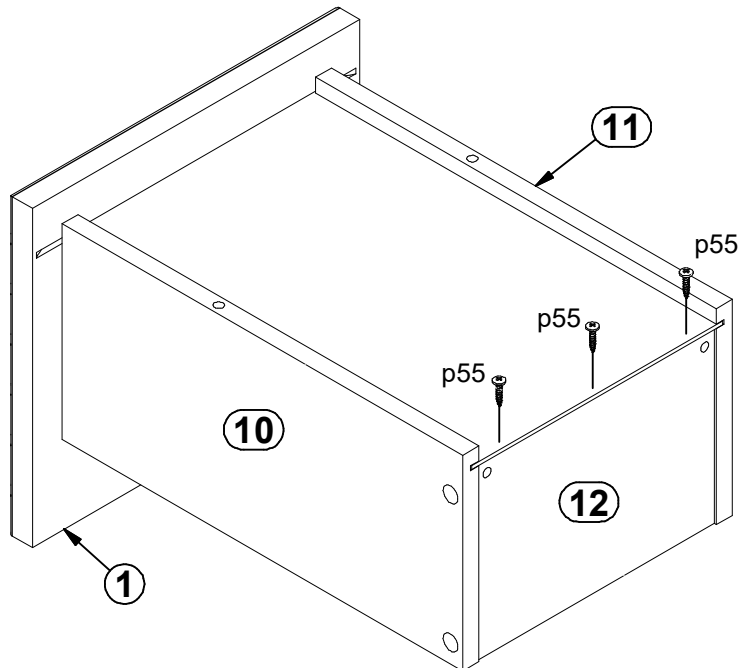
2x  **r15**  
Ø12x10,5 mm #122x  **r42**  
20/114x  **f25**  
Ø6,5x40 mm4x  **f1**  
Ø8x30 mm**13****14****15**






16 ▶

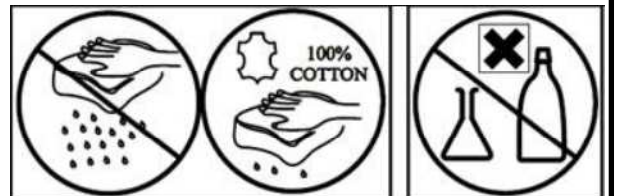
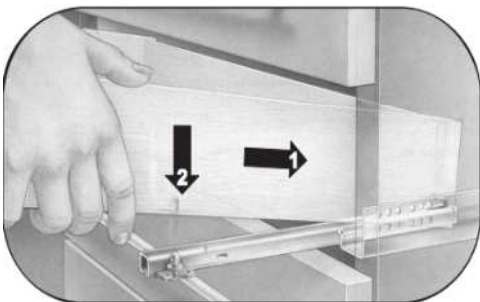
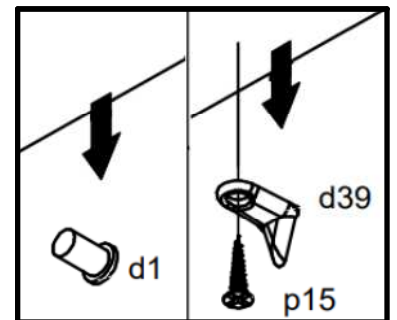
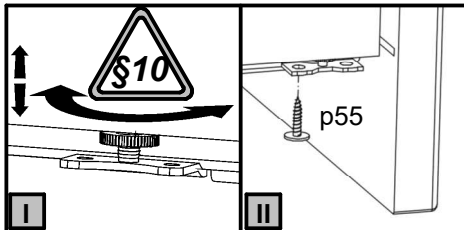
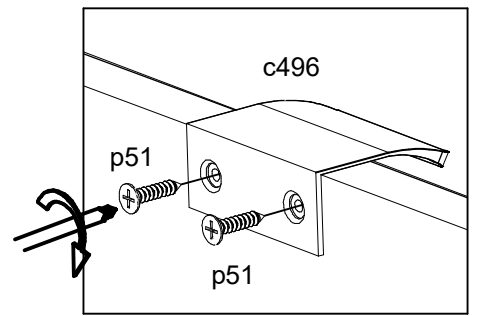
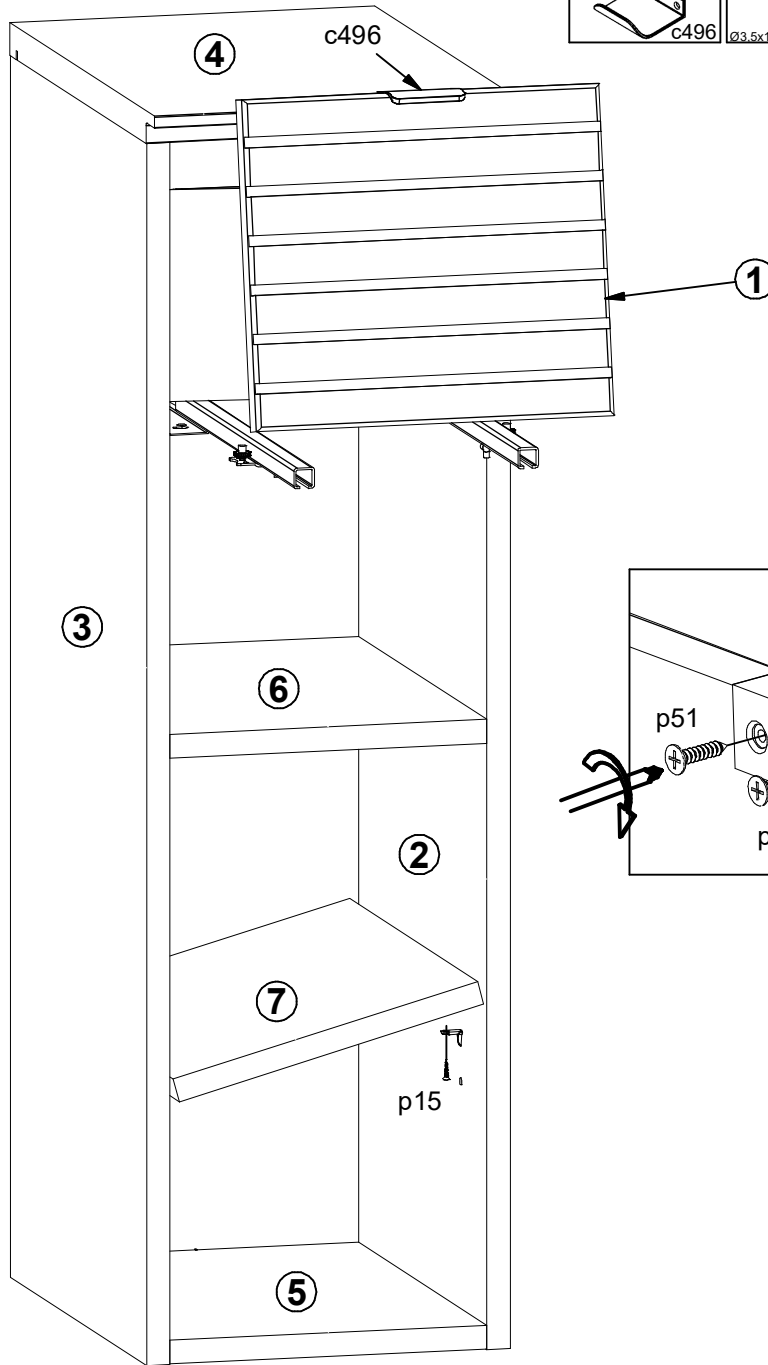


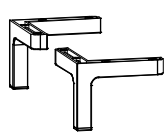
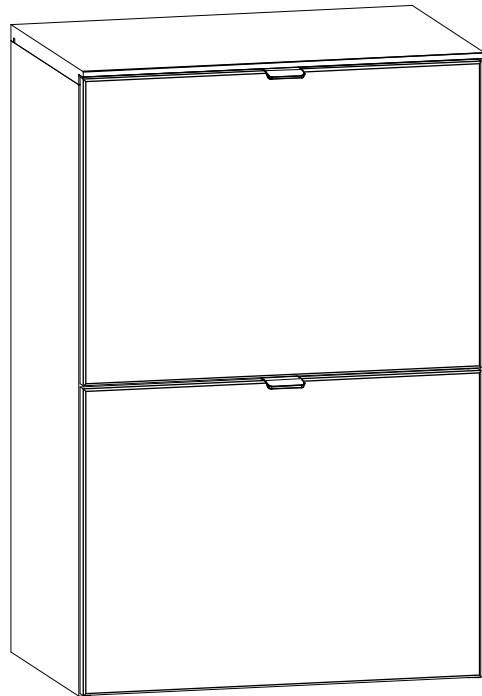
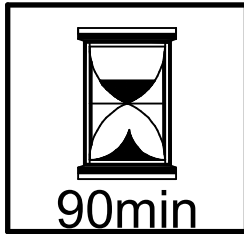
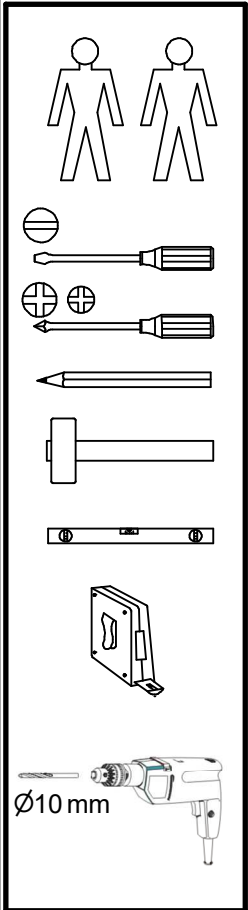
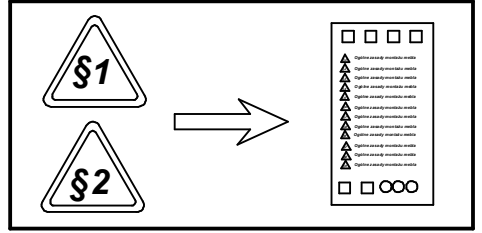
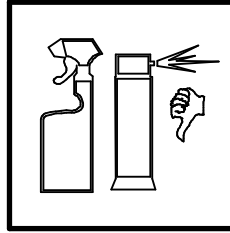
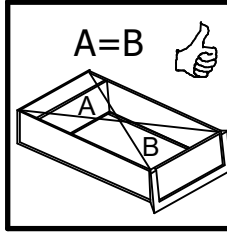
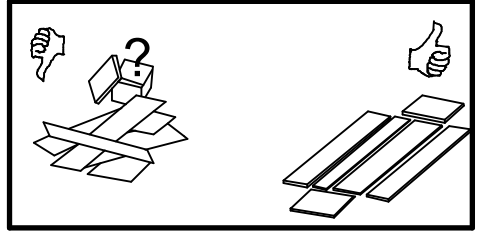
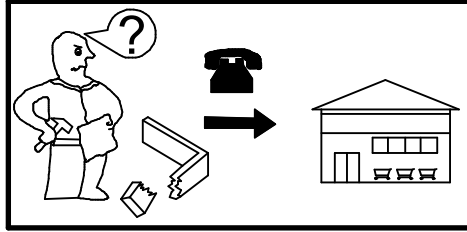
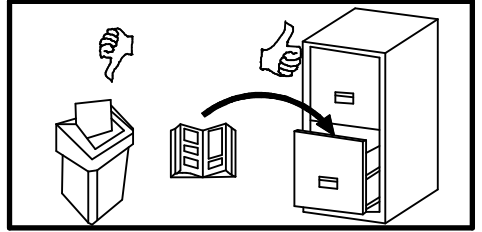
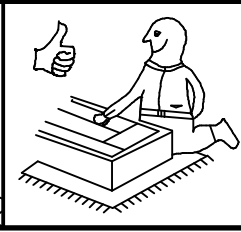
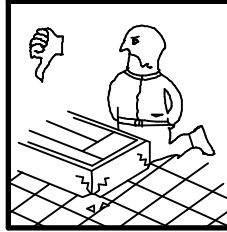
17 ▶



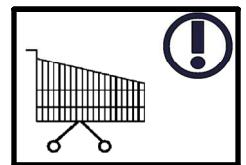
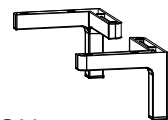
18 ▶

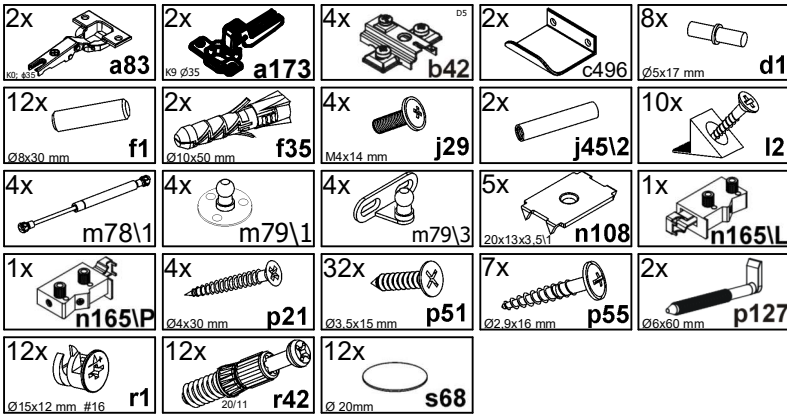
- 1x  c496
- 2x  p51 Ø3.5x15 mm
- 2x  p55 Ø2.9x16 mm



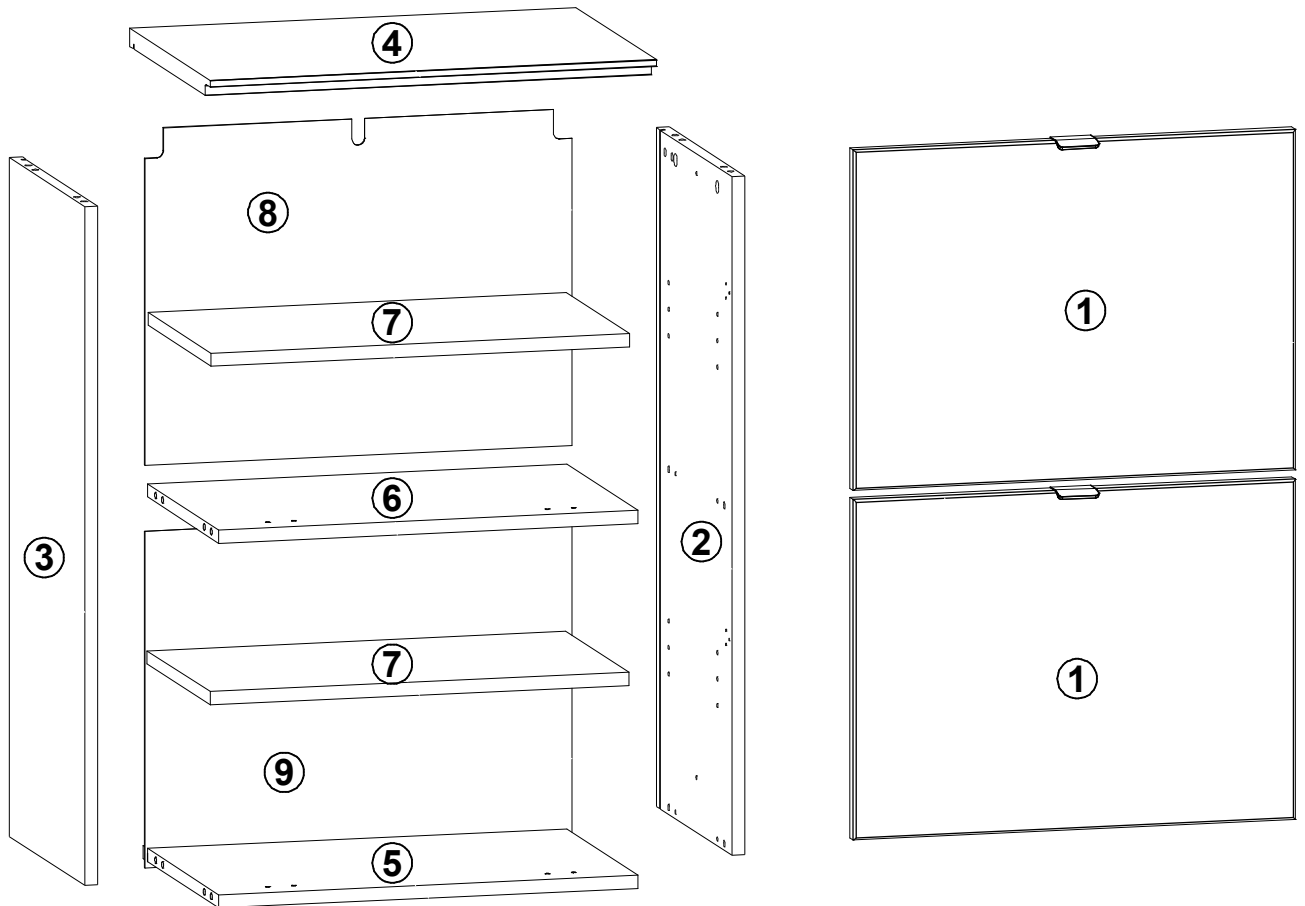


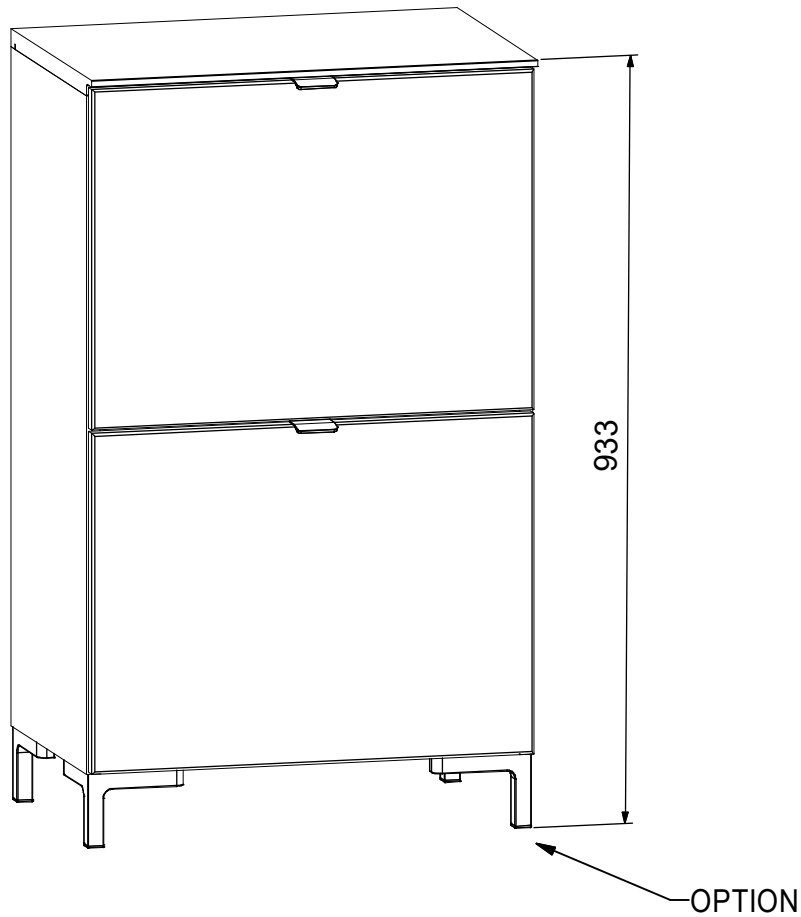
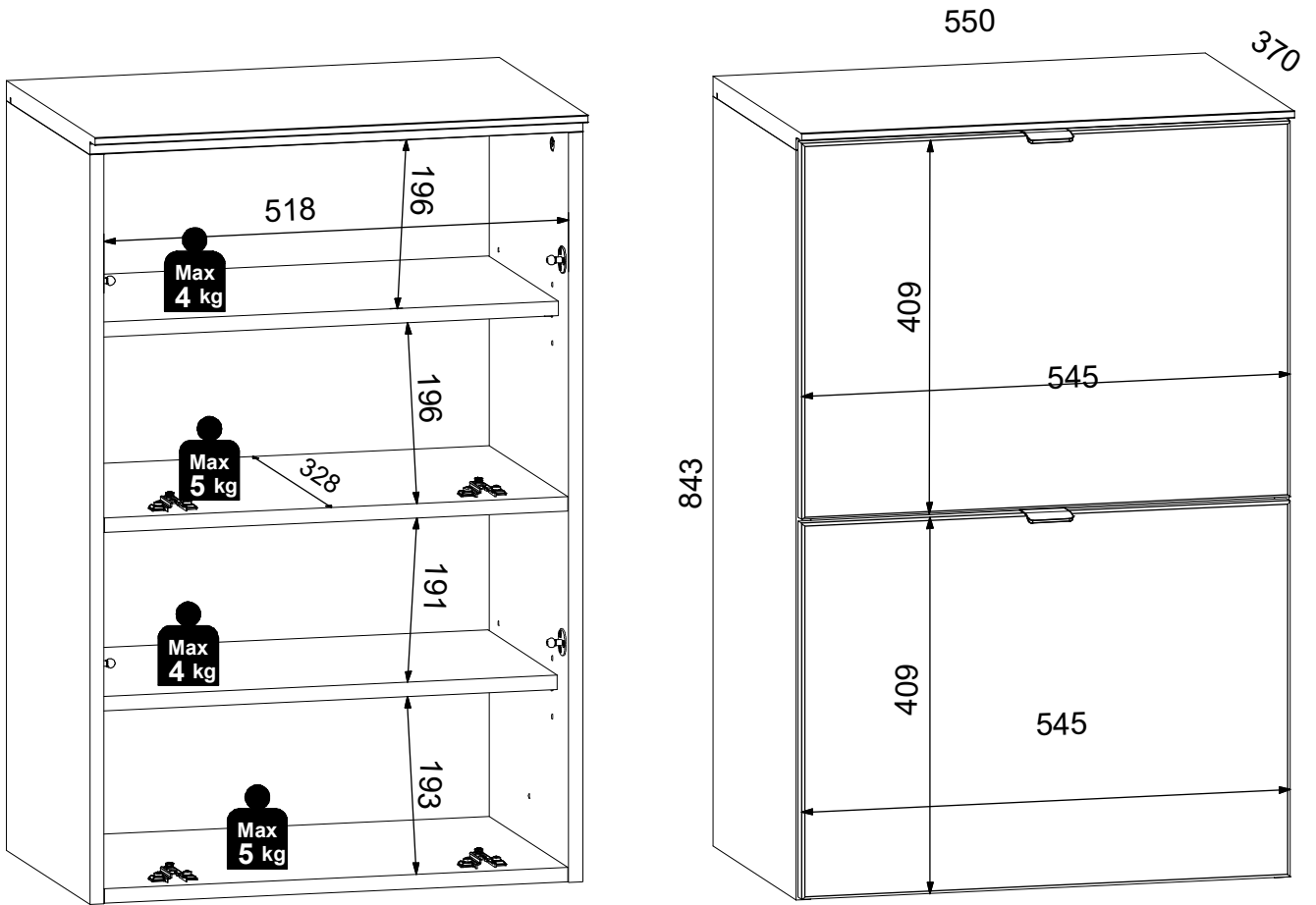
OPTION  
99 03 01 95





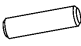




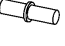


A	B1	B2	C1	C2	C3	C4	D
1	M278-0003	-	545	412	18	2	1/1
2	M278-1001	-	821	348	16	1	1/1
3	M278-1002	-	821	348	16	1	1/1
4	M278-2002	-	550	370	22	1	1/1
5	M278-3004	-	517	348	16	1	1/1
6	M278-3005	-	517	328	16	1	1/1
7	M278-3006	-	516	290	16	2	1/1
8	M278-9005	-	527	407	2,5	1	1/1
9	M278-9006	-	527	407	2,5	1	1/1

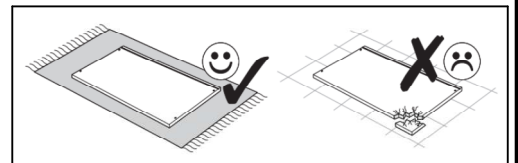
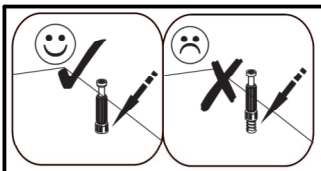
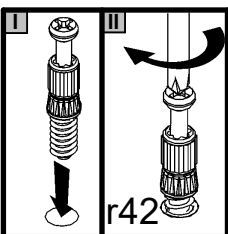
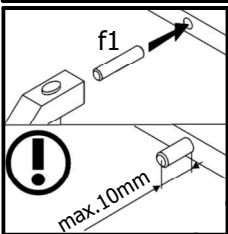
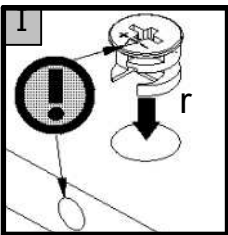
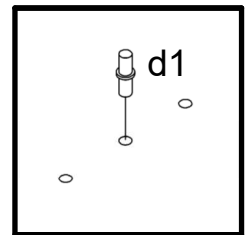
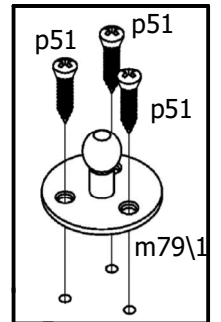
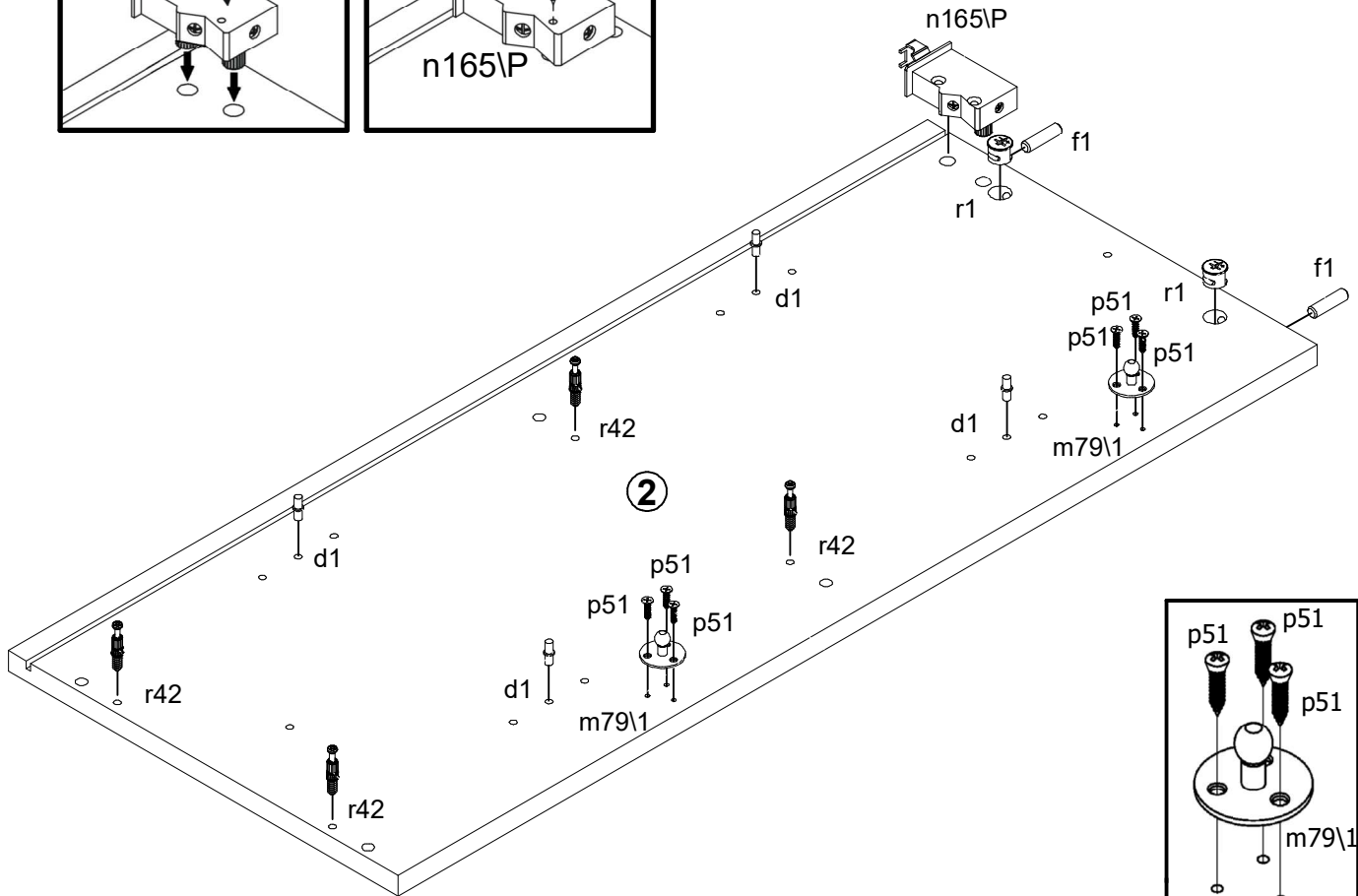
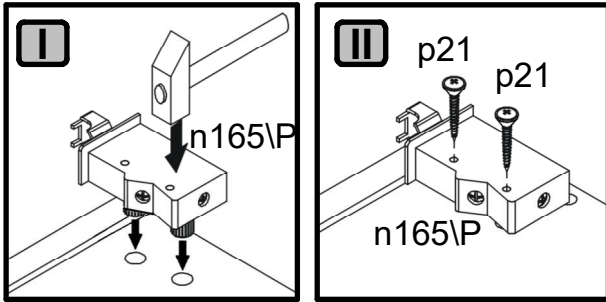






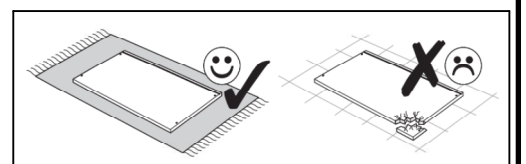
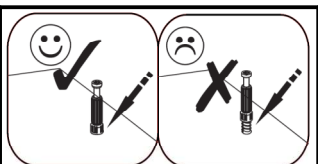
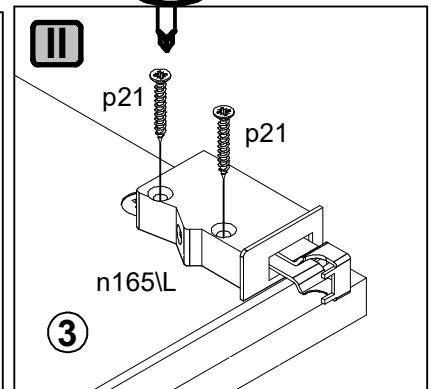
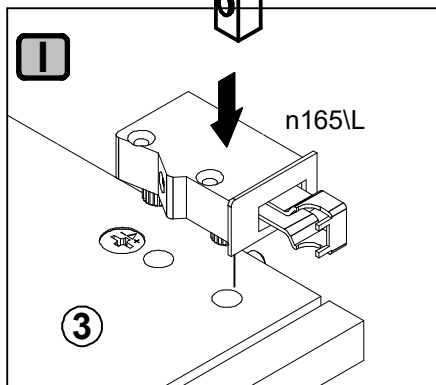
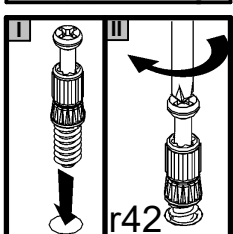
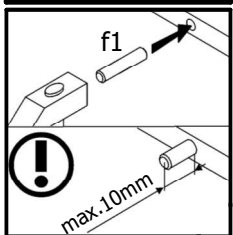
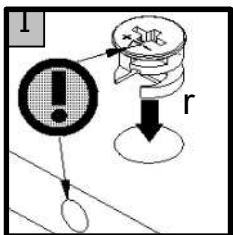
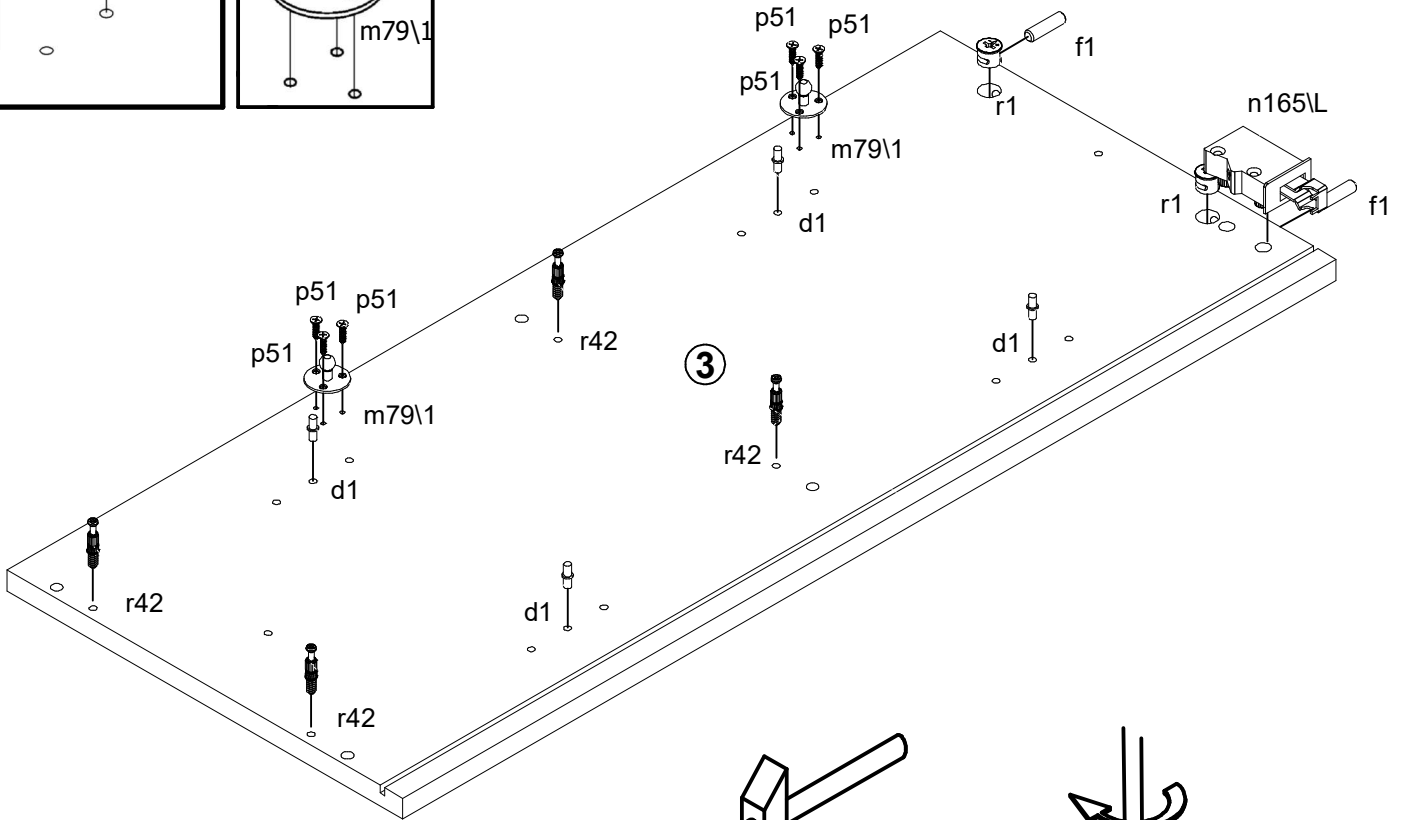
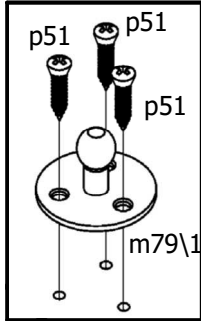
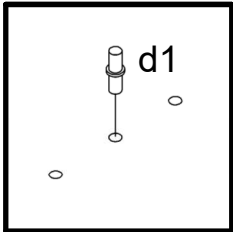
1 ▶

- 2x  f1 Ø8x30 mm
- 2x  r1 Ø15x12 mm #16
- 4x  r42 20/11
- 2x  m79\1
- 6x  p51 Ø3.5x15 mm
- 4x  d1 Ø5x17 mm
- 1x  n165\P
- 2x  p21 Ø4x30 mm

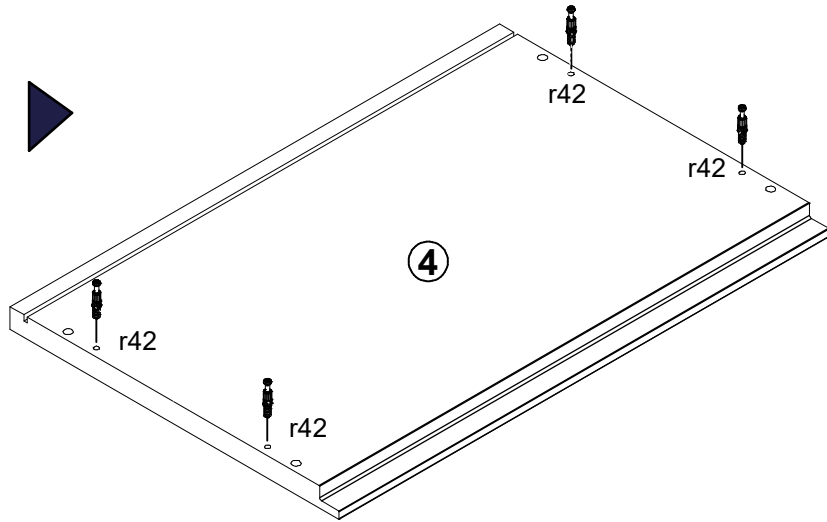




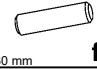

2 ▶

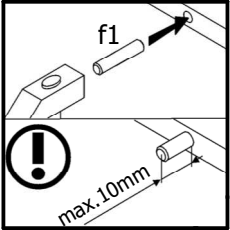
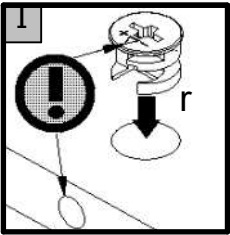
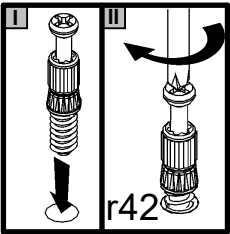
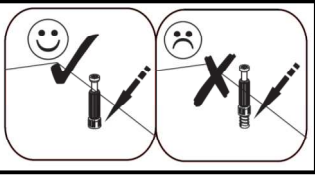
- 2x Ø8x30 mm f1
- 2x Ø15x12 mm #16 r1
- 4x 20/11 r42
- 2x m79\1
- 6x Ø3.5x15 mm p51
- 4x Ø5x17 mm d1
- 1x n165\L
- 2x Ø4x30 mm p21



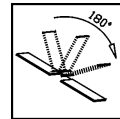
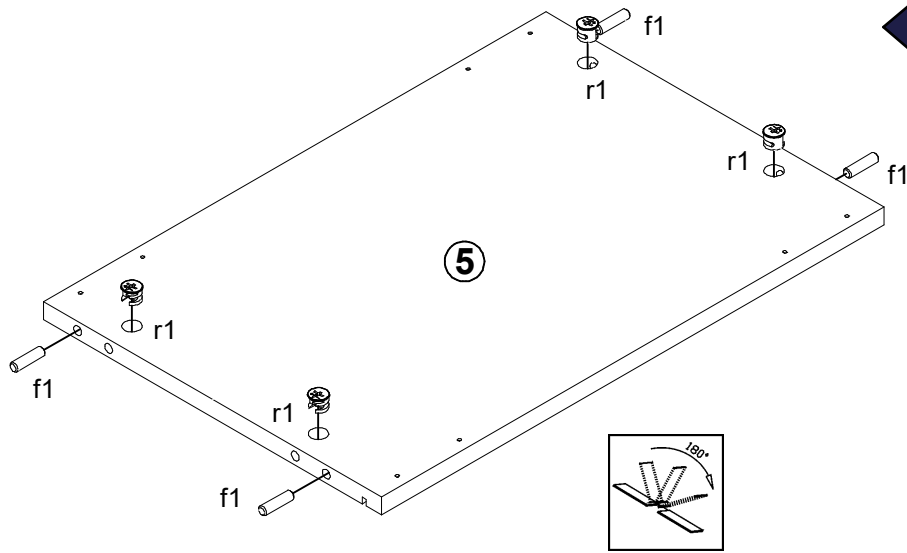
3 ▶



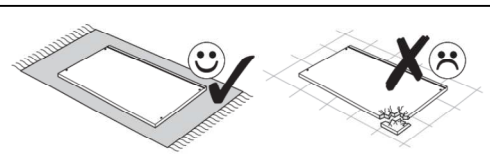
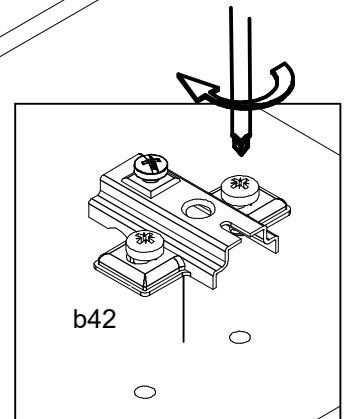
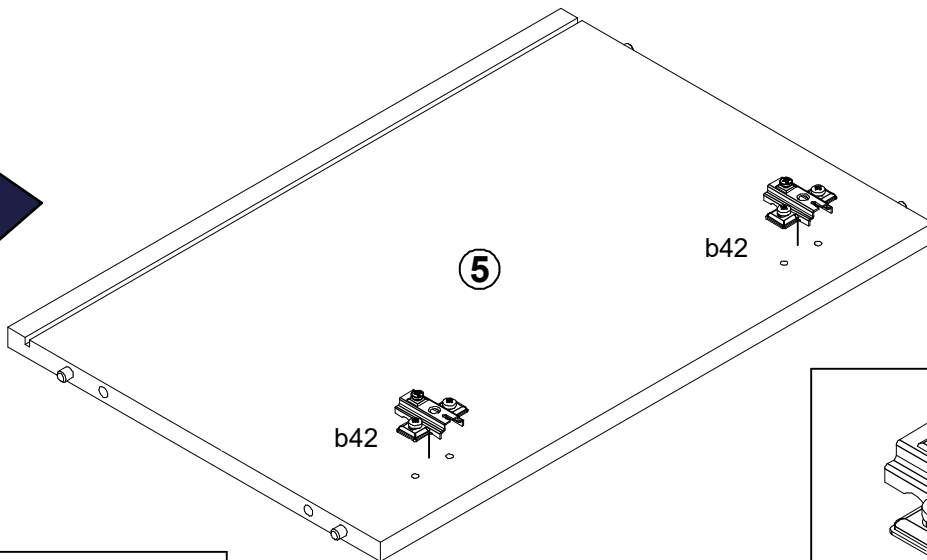
- 2x  **b42**
- 4x  **r1**  
Ø15x12 mm #16
- 4x  **f1**  
Ø8x30 mm
- 4x  **r42**  
20/11



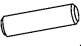


◀ 4

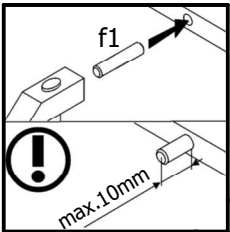
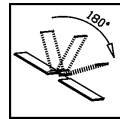
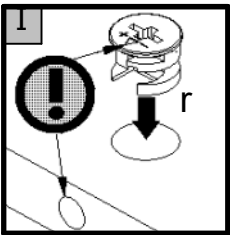
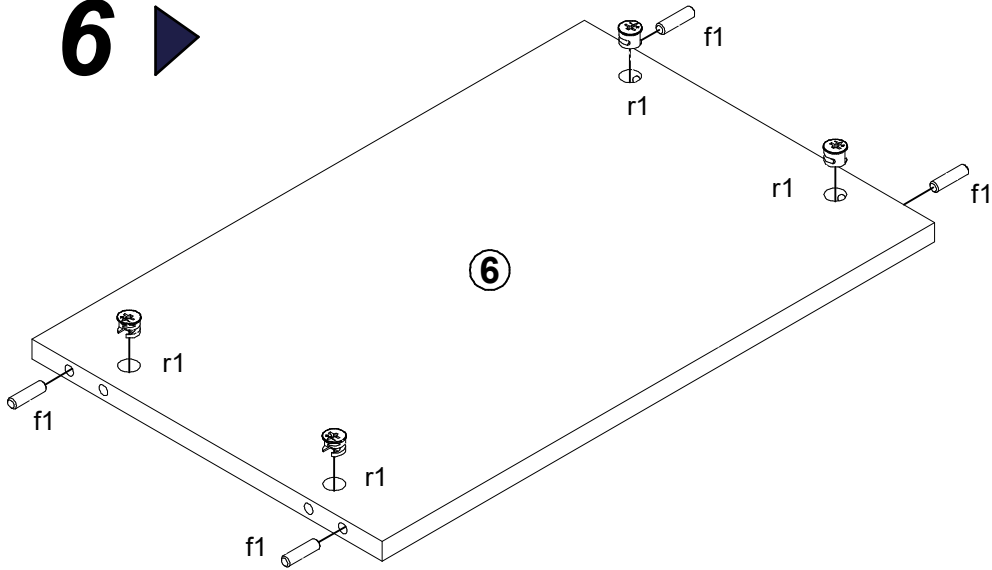


5 ▶

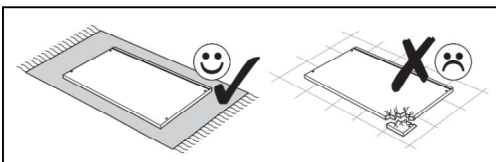
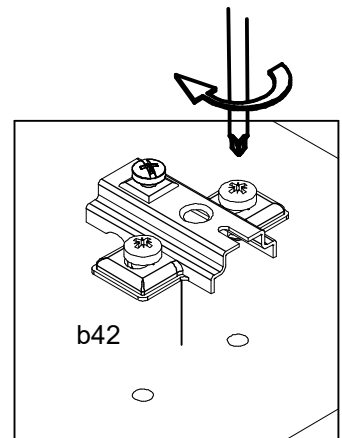
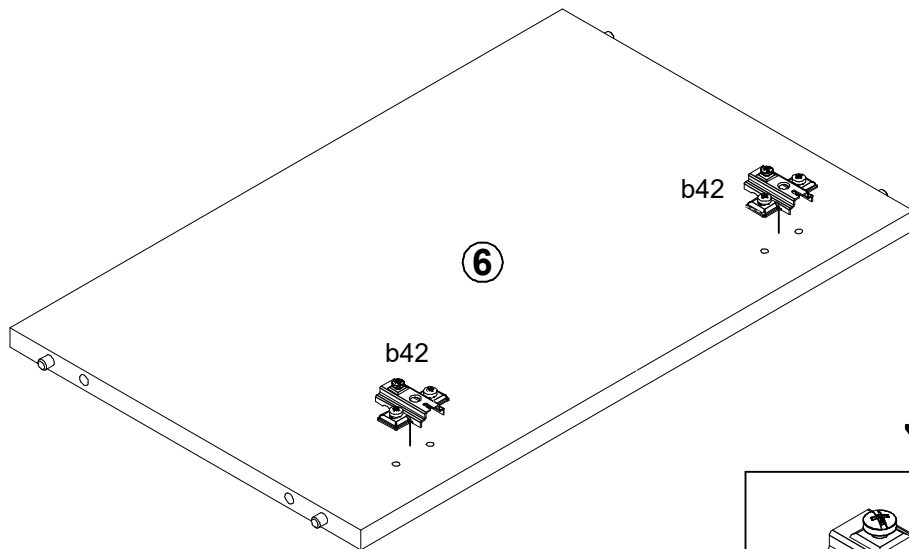


- 2x  b42
- 4x  r1  
Ø15x12 mm #16
- 4x  f1  
Ø8x30 mm

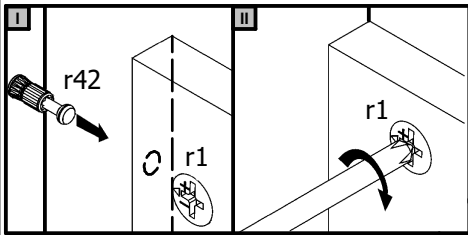
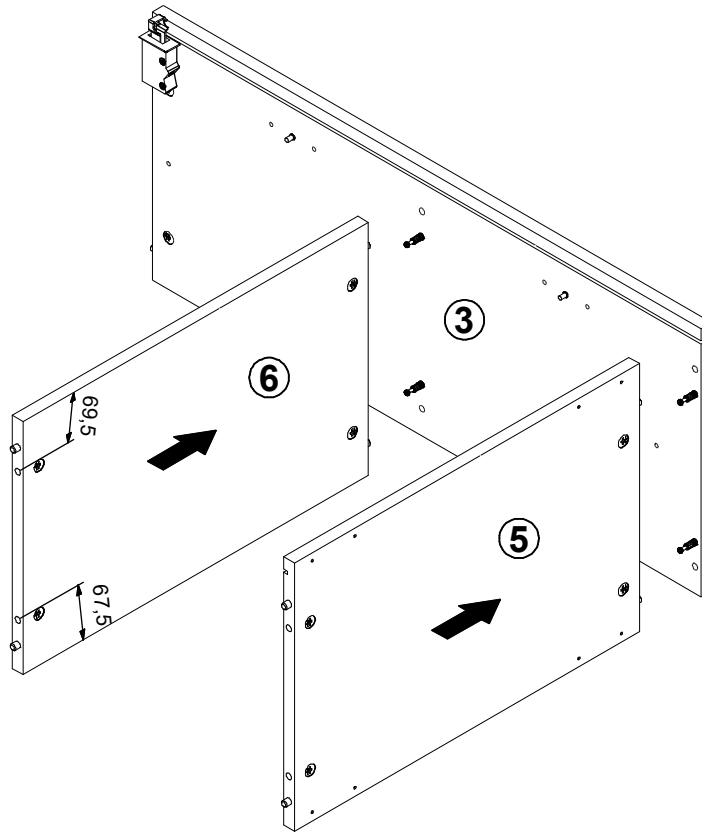
6 ▶



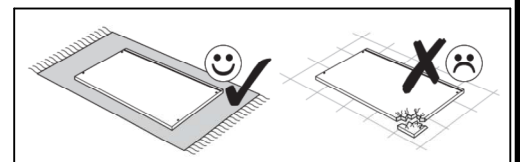
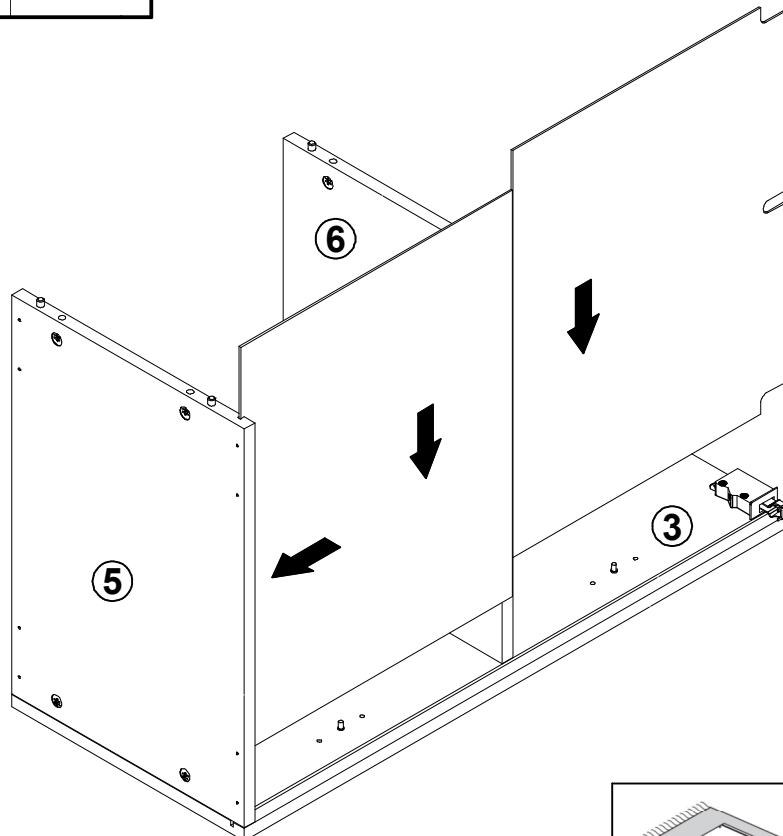
◀ 7



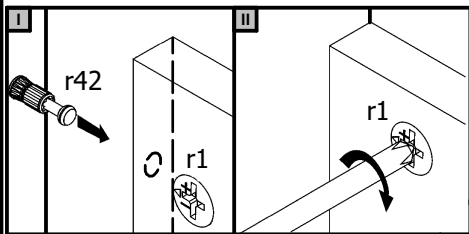
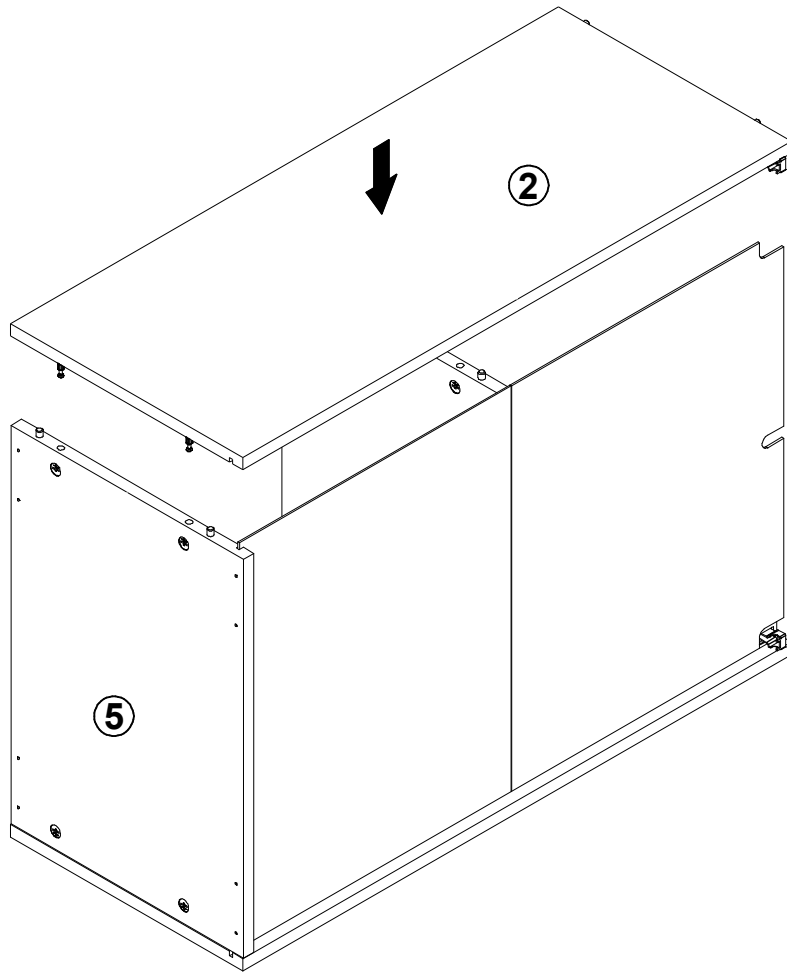
8 ▶



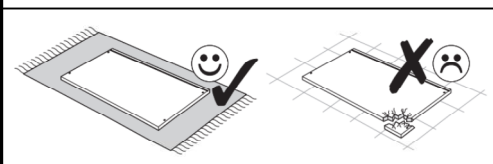
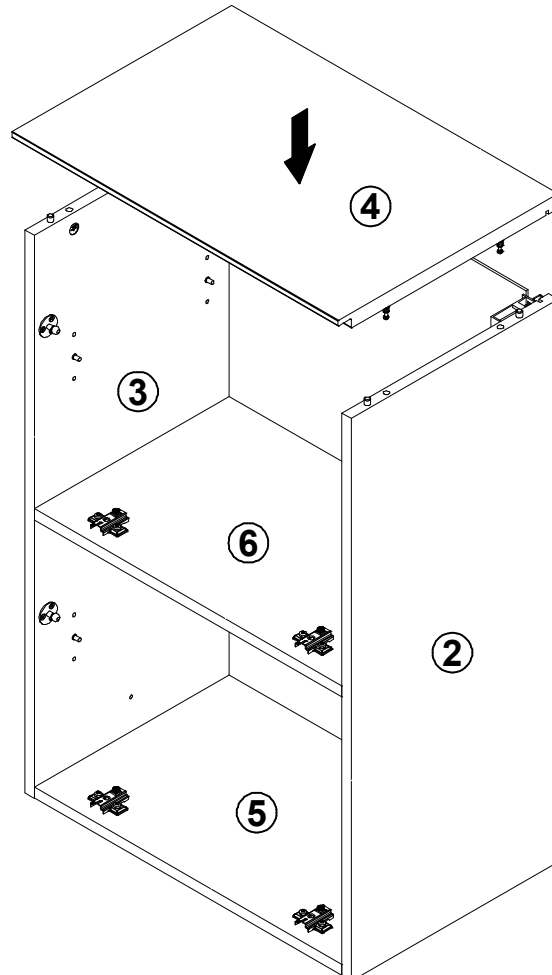
◀ 9




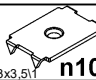

10 ▶

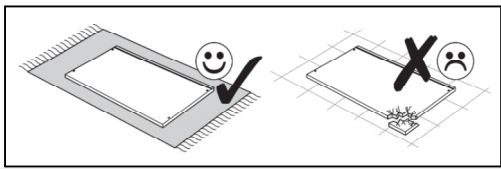
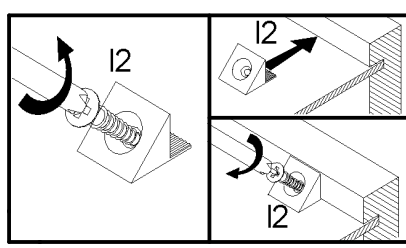
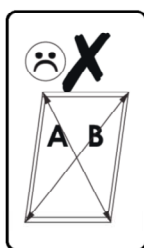
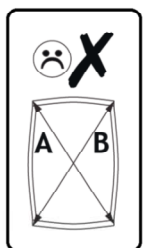
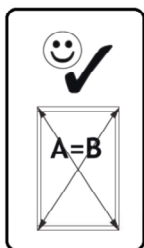
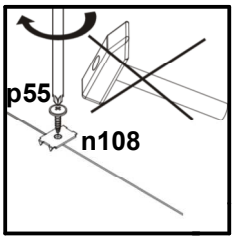
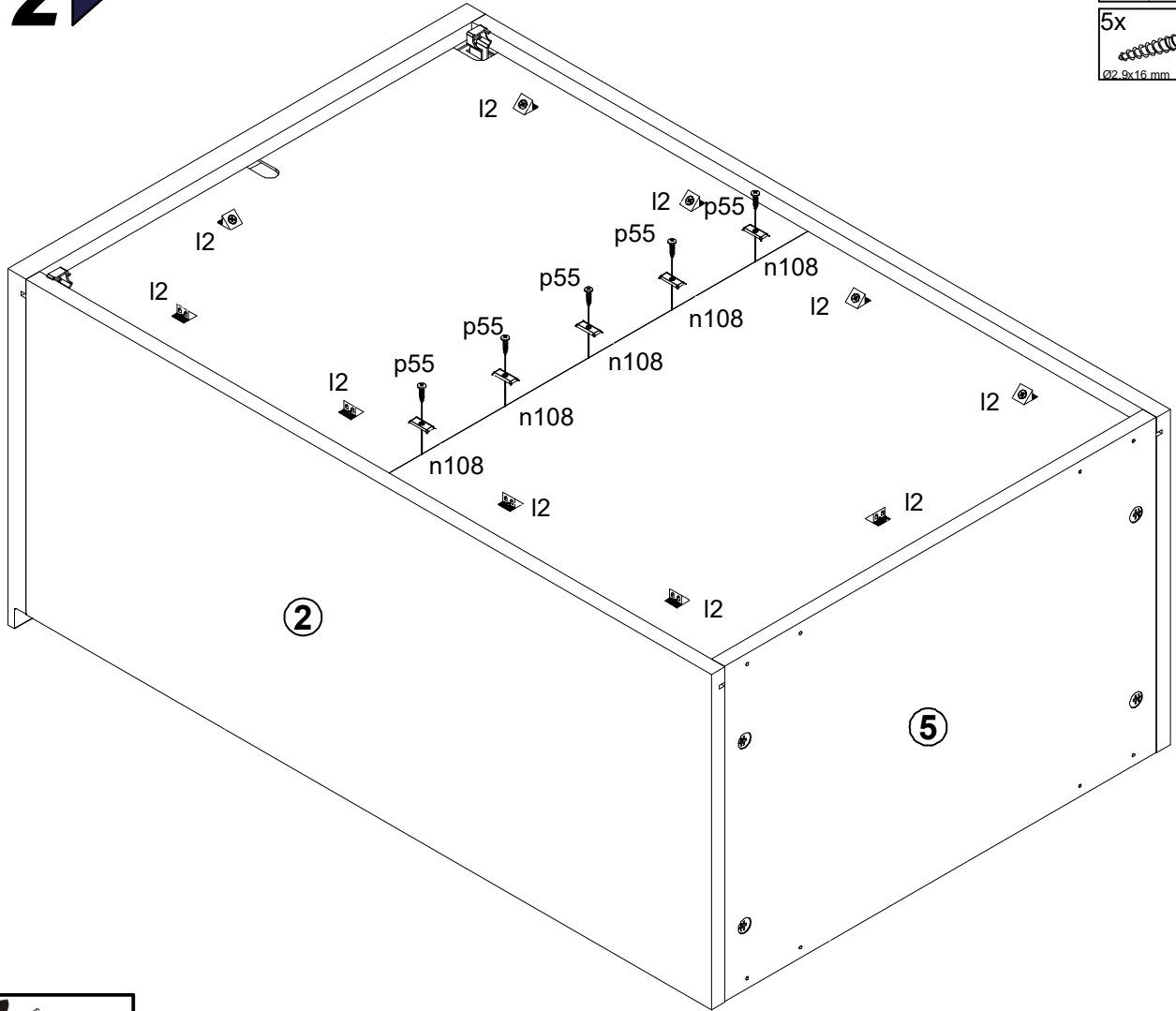


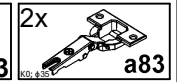
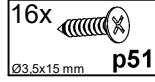
▶ 11



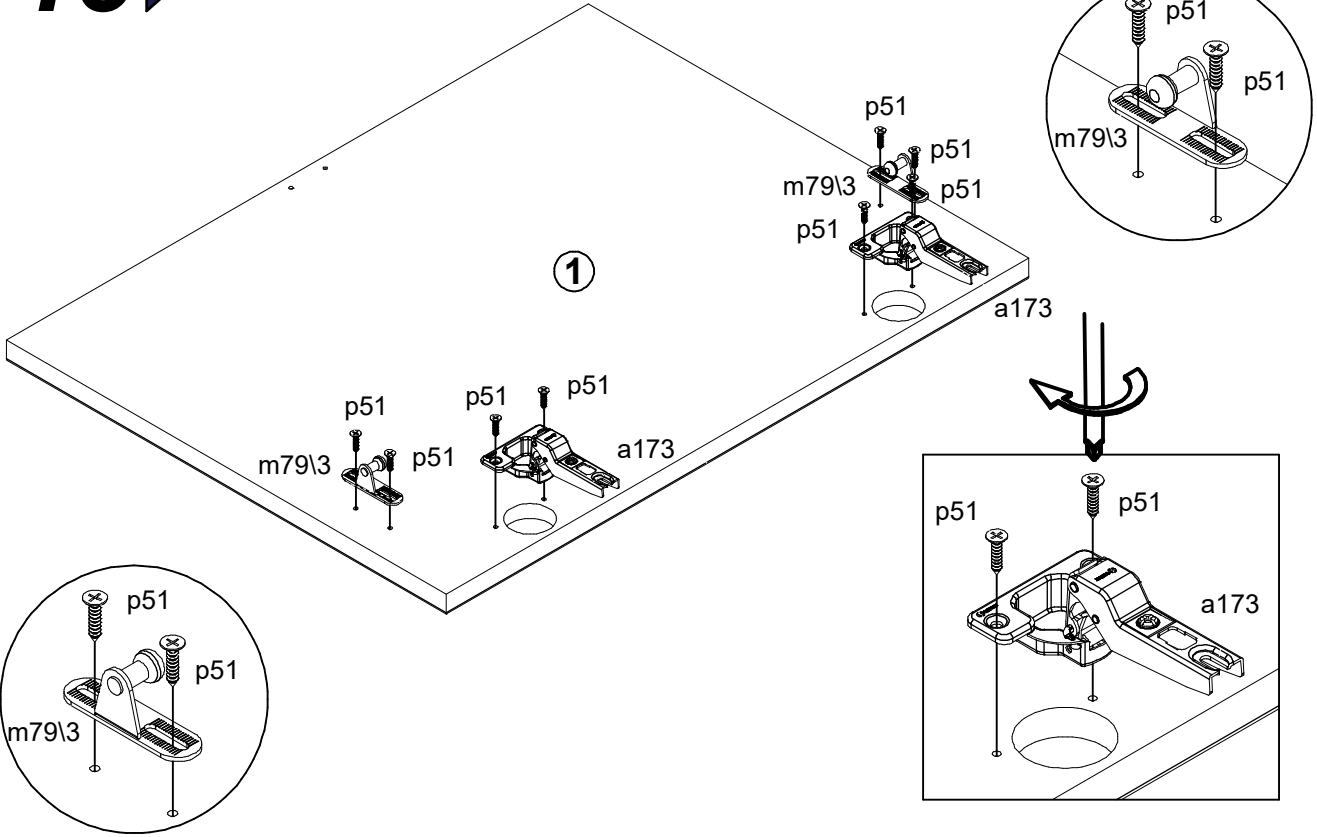
12

- 10x  I2
- 5x  n108  
20x13x3.51
- 5x  p55  
Ø2.9x16 mm

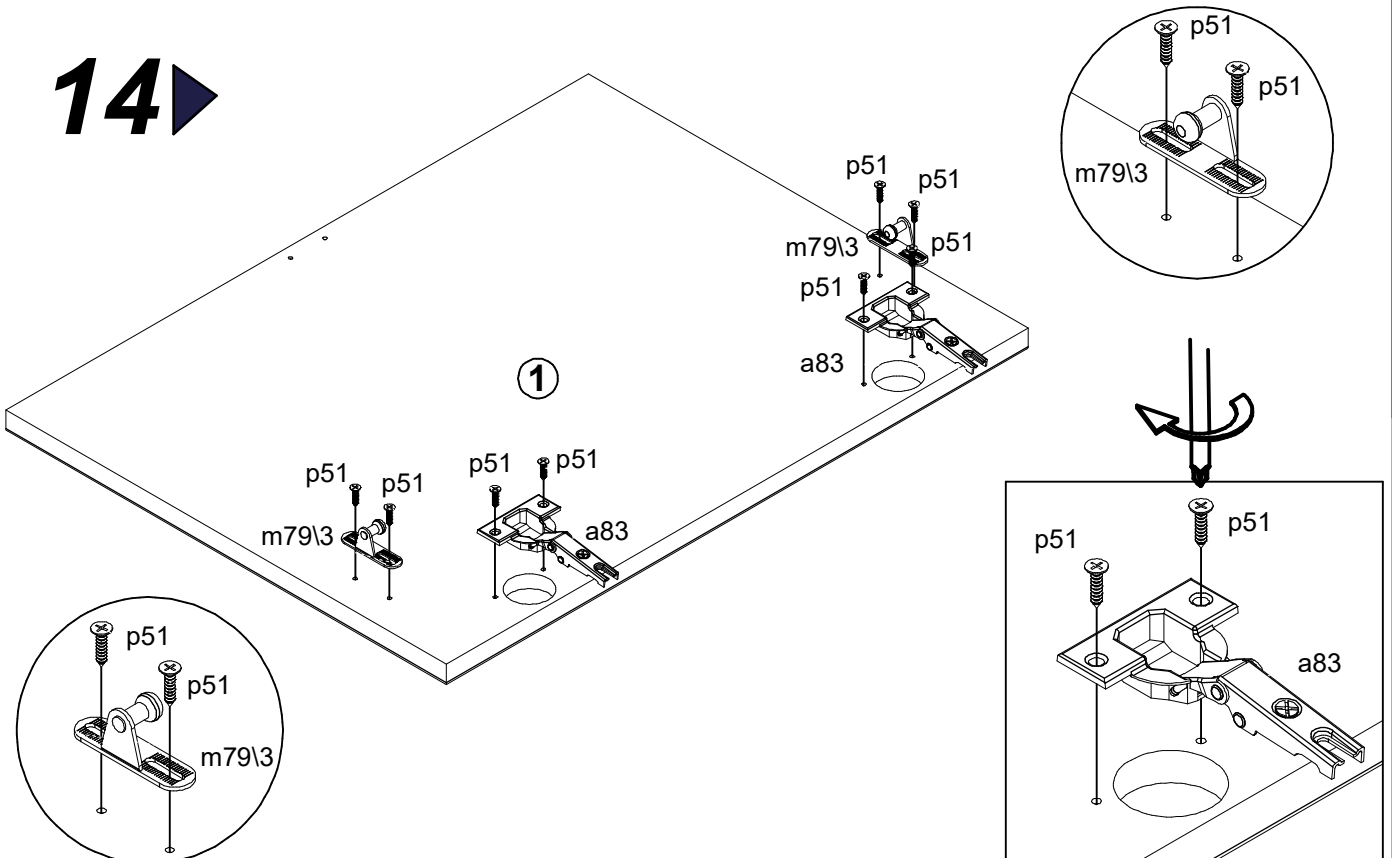




# 13

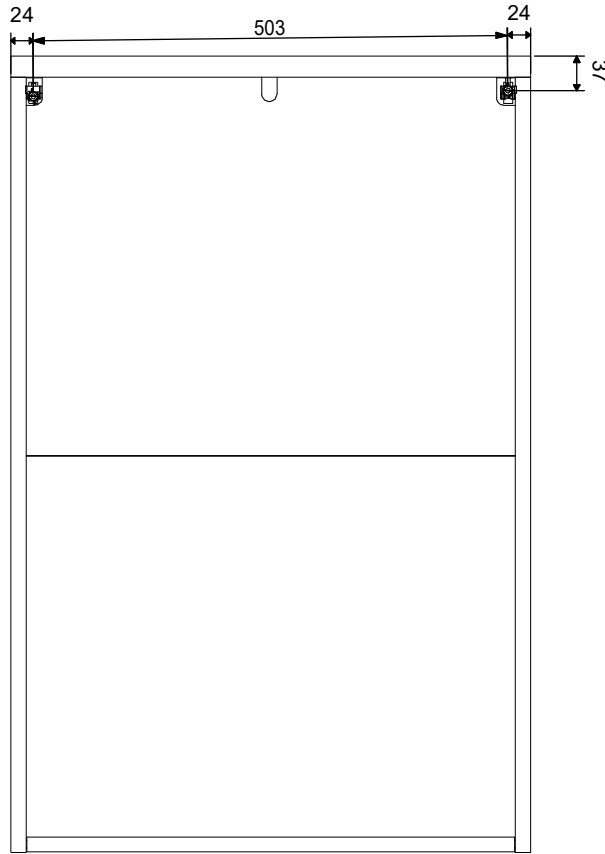


# 14

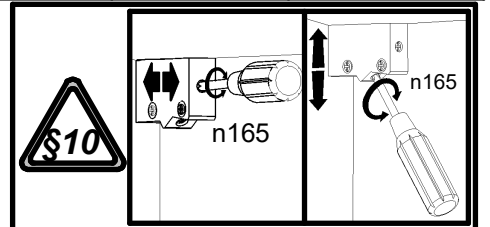
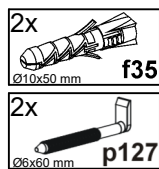
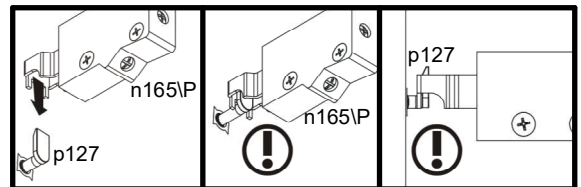
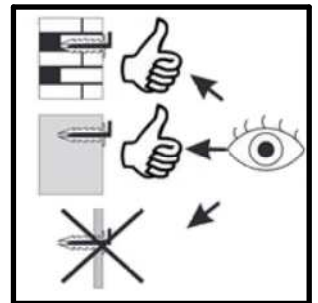
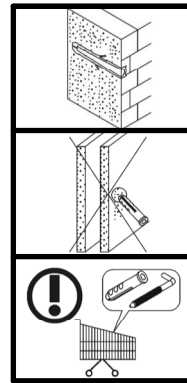
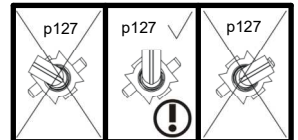
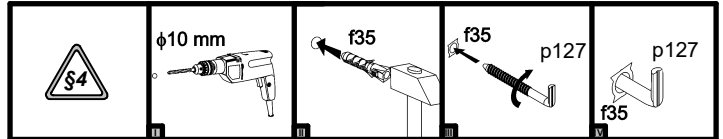
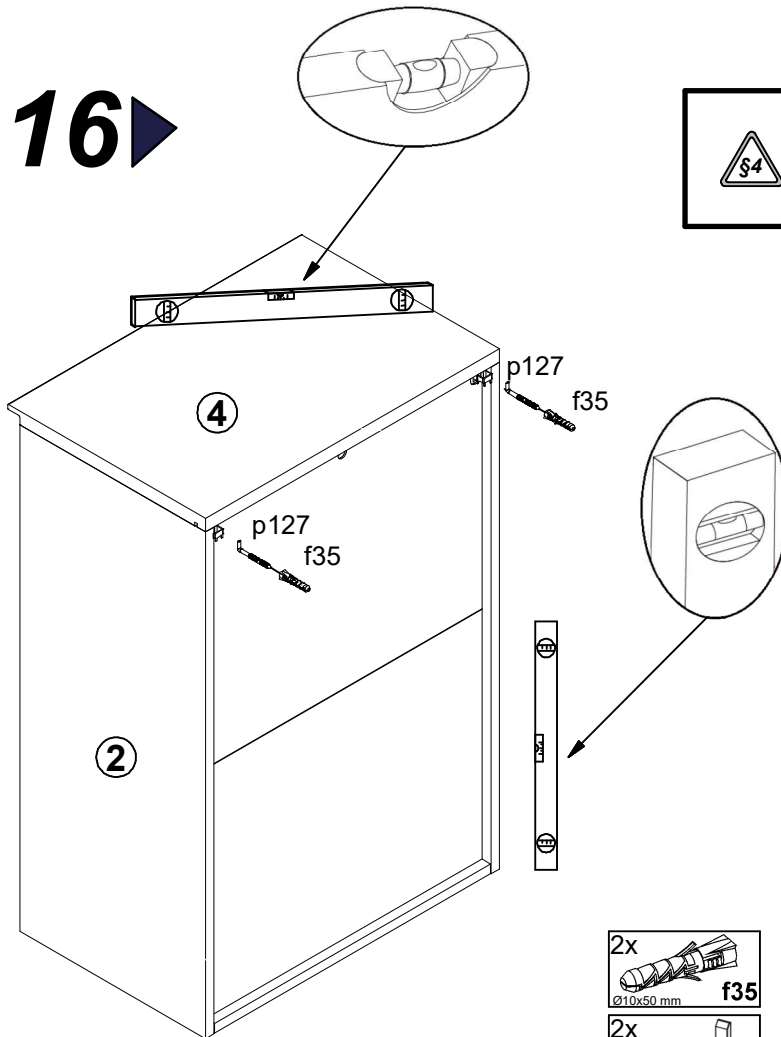






15 ▶

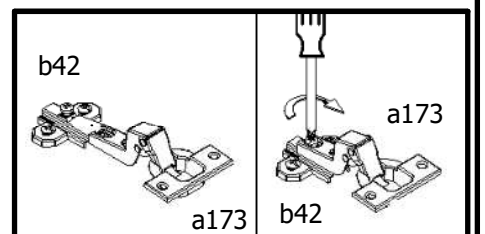
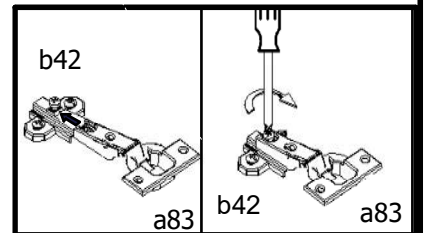
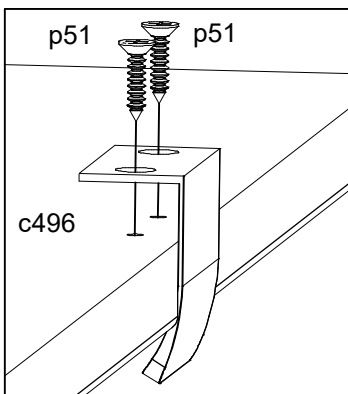
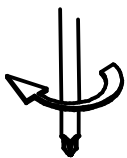
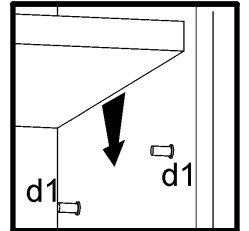
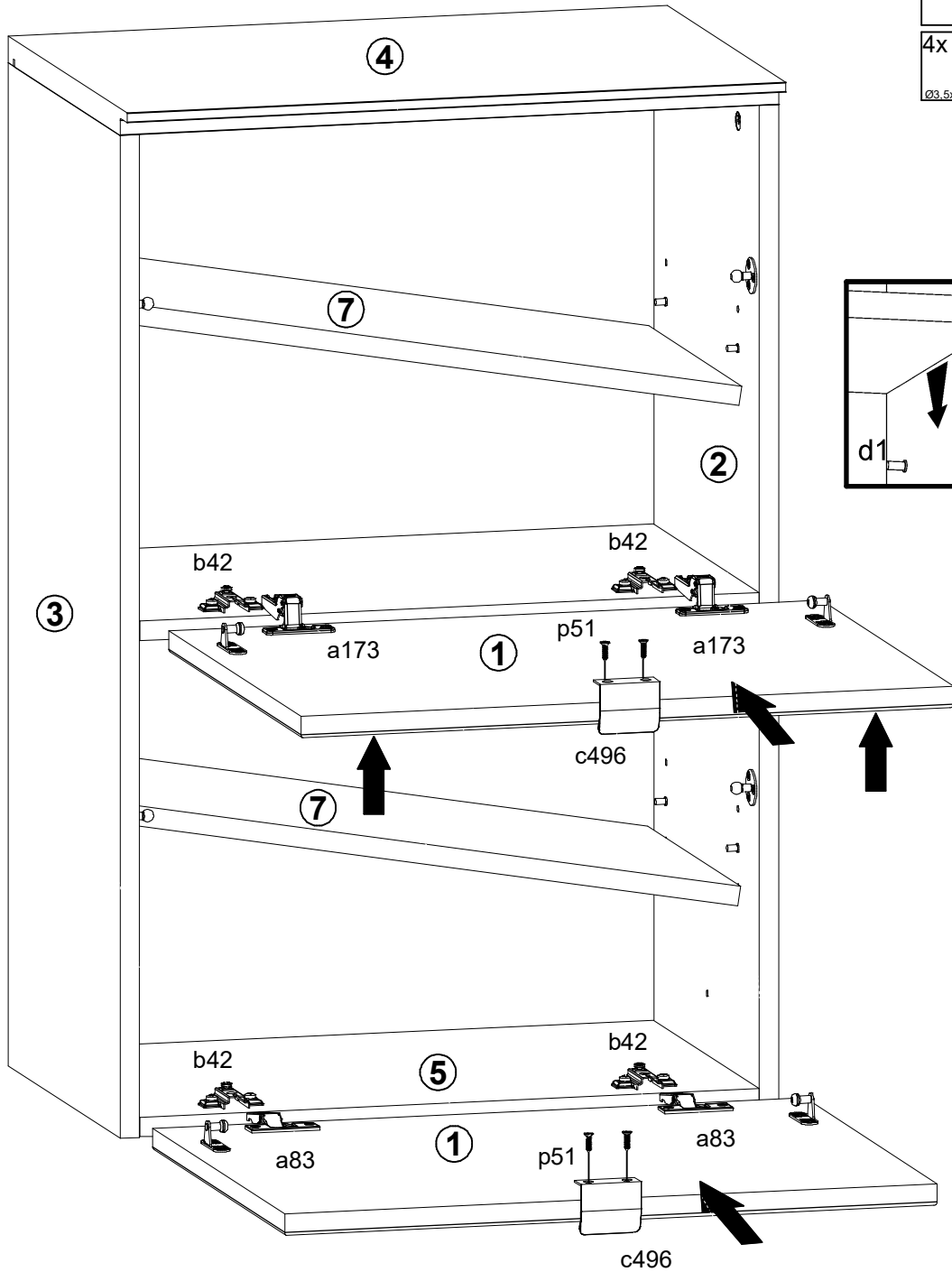


16 ▶

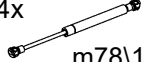



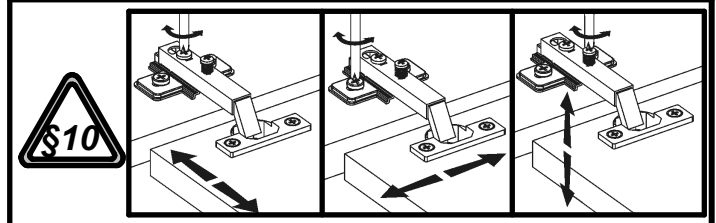
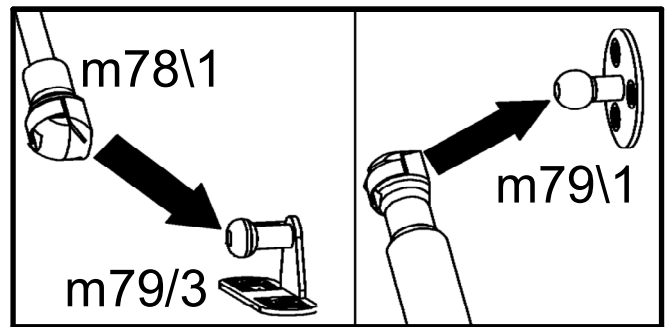
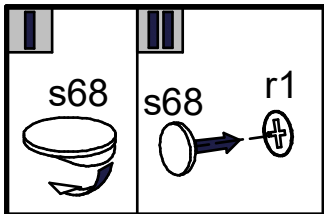
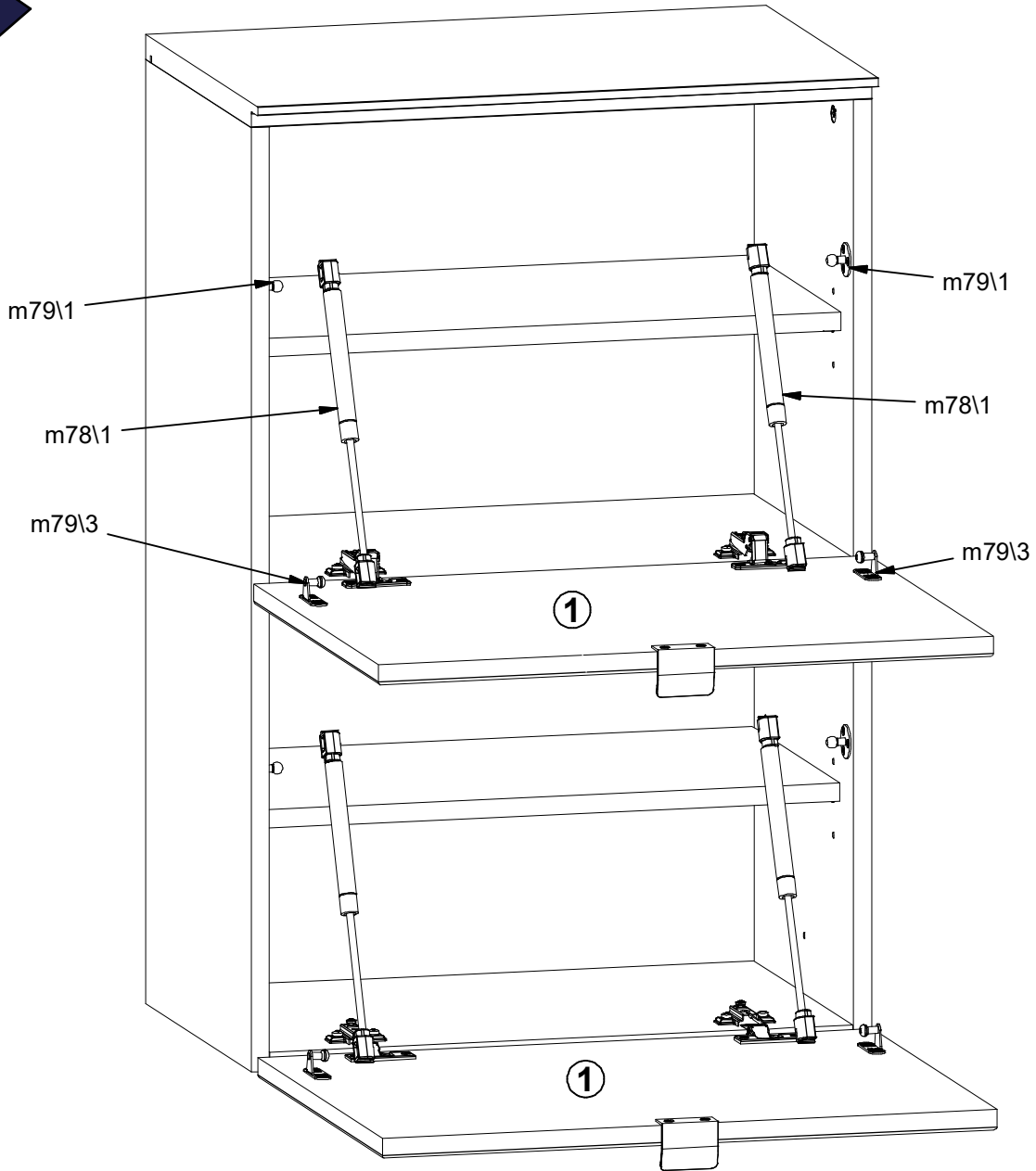
17

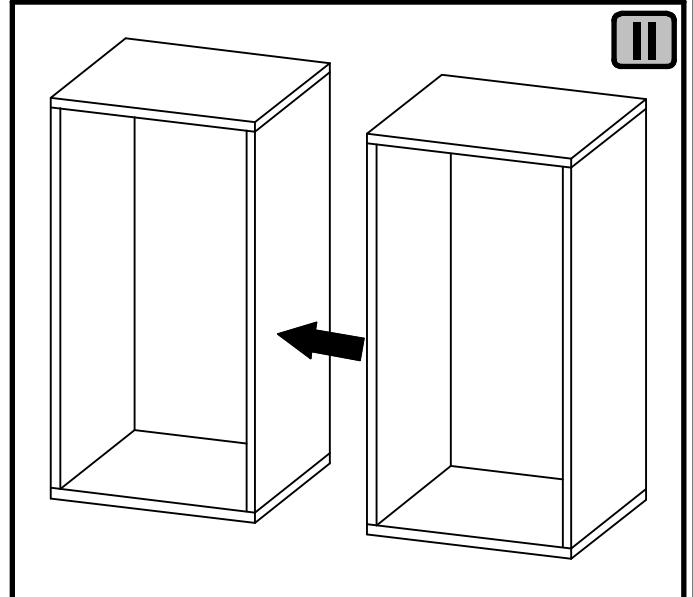
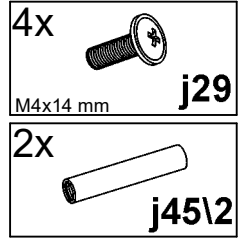
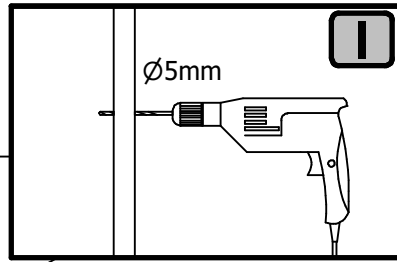
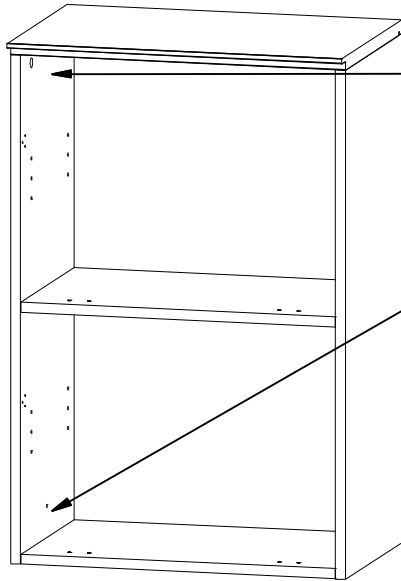
- 2x  c496
- 4x  p51  
Ø3.5x15 mm



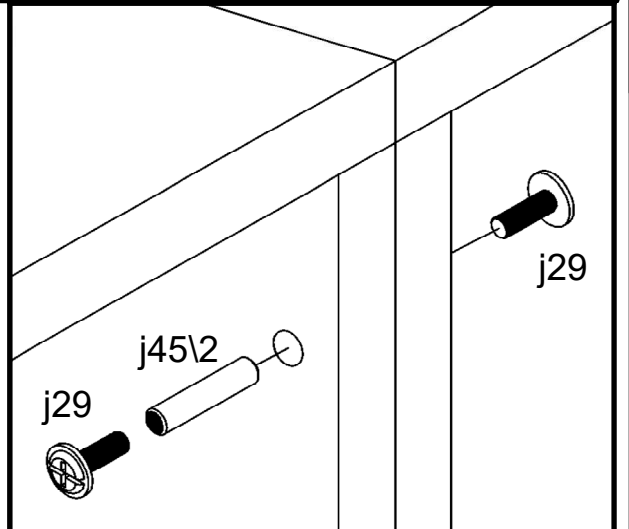
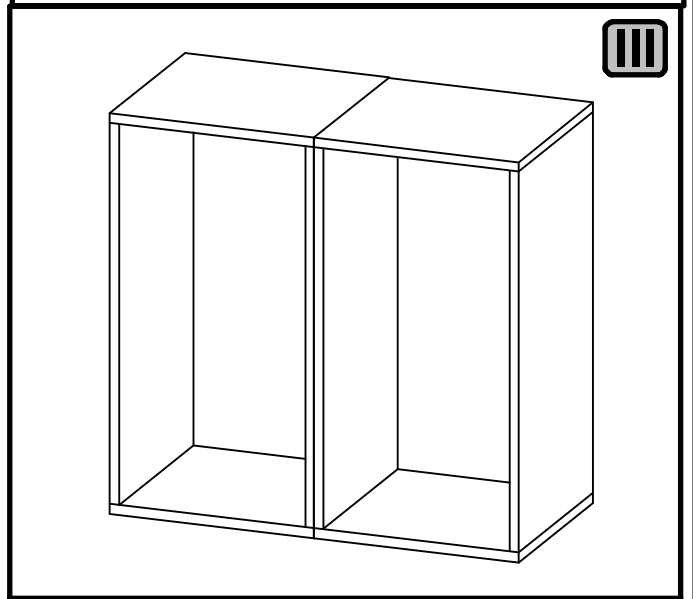
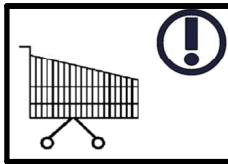
18 ▶

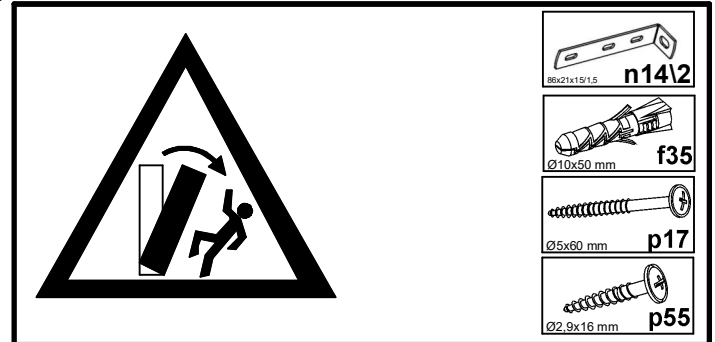
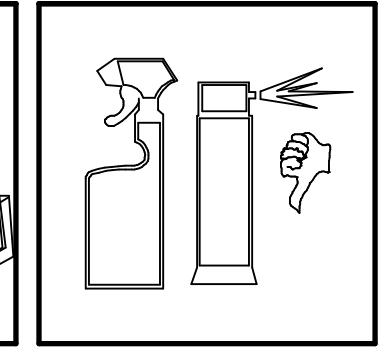
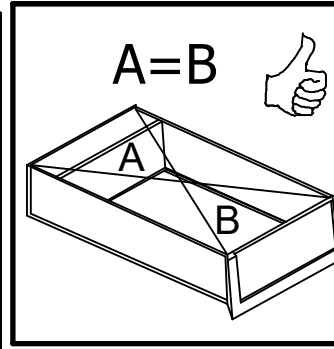
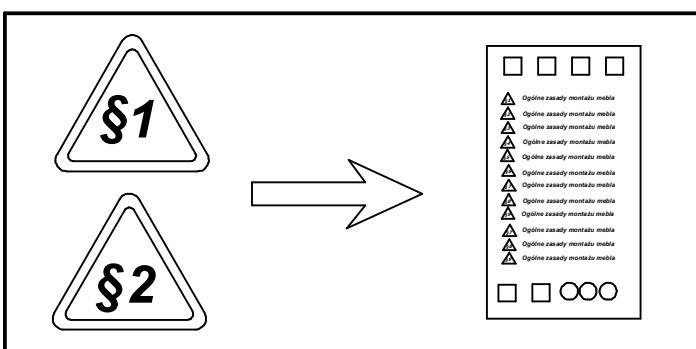
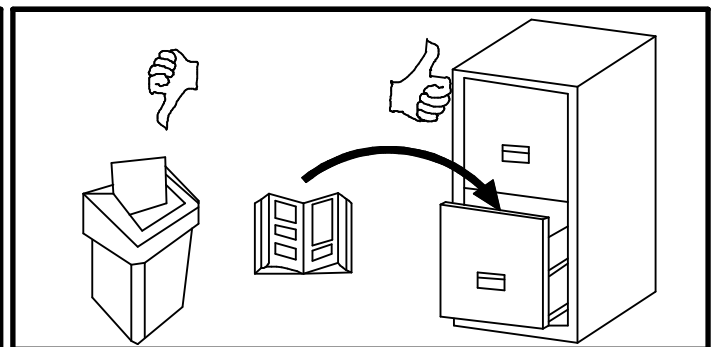
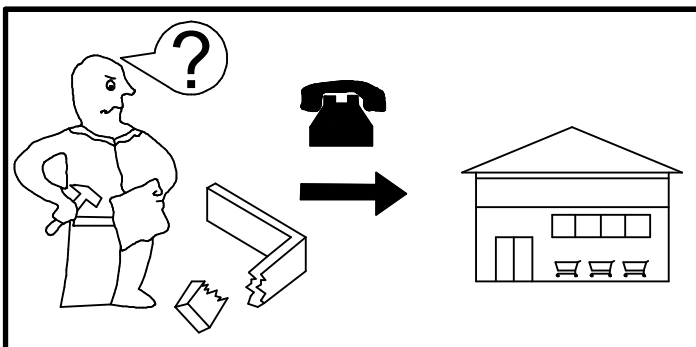
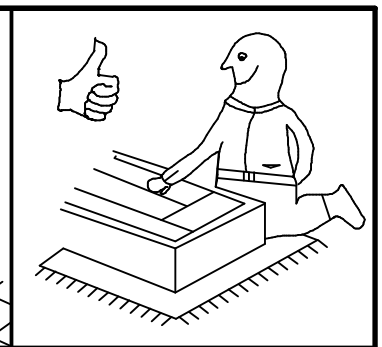
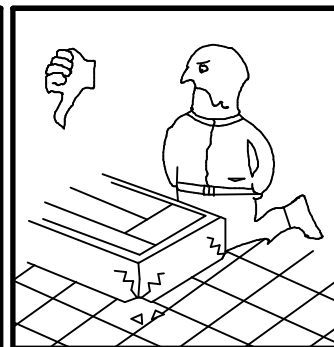
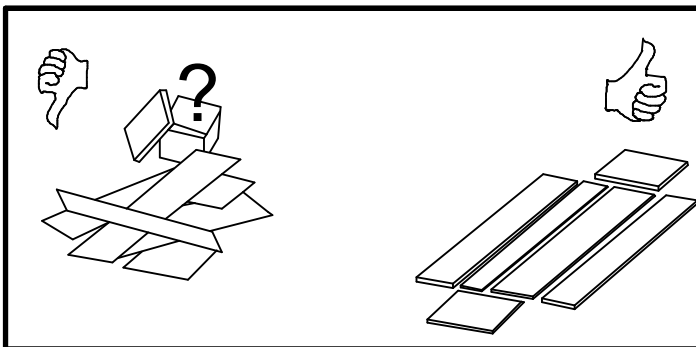
- 4x  m78\1
- 12x  s68  
Ø 20mm

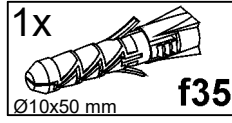
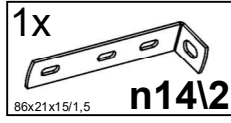
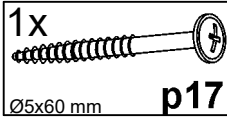
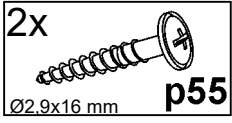
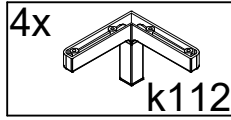
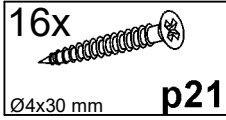




# OPTION

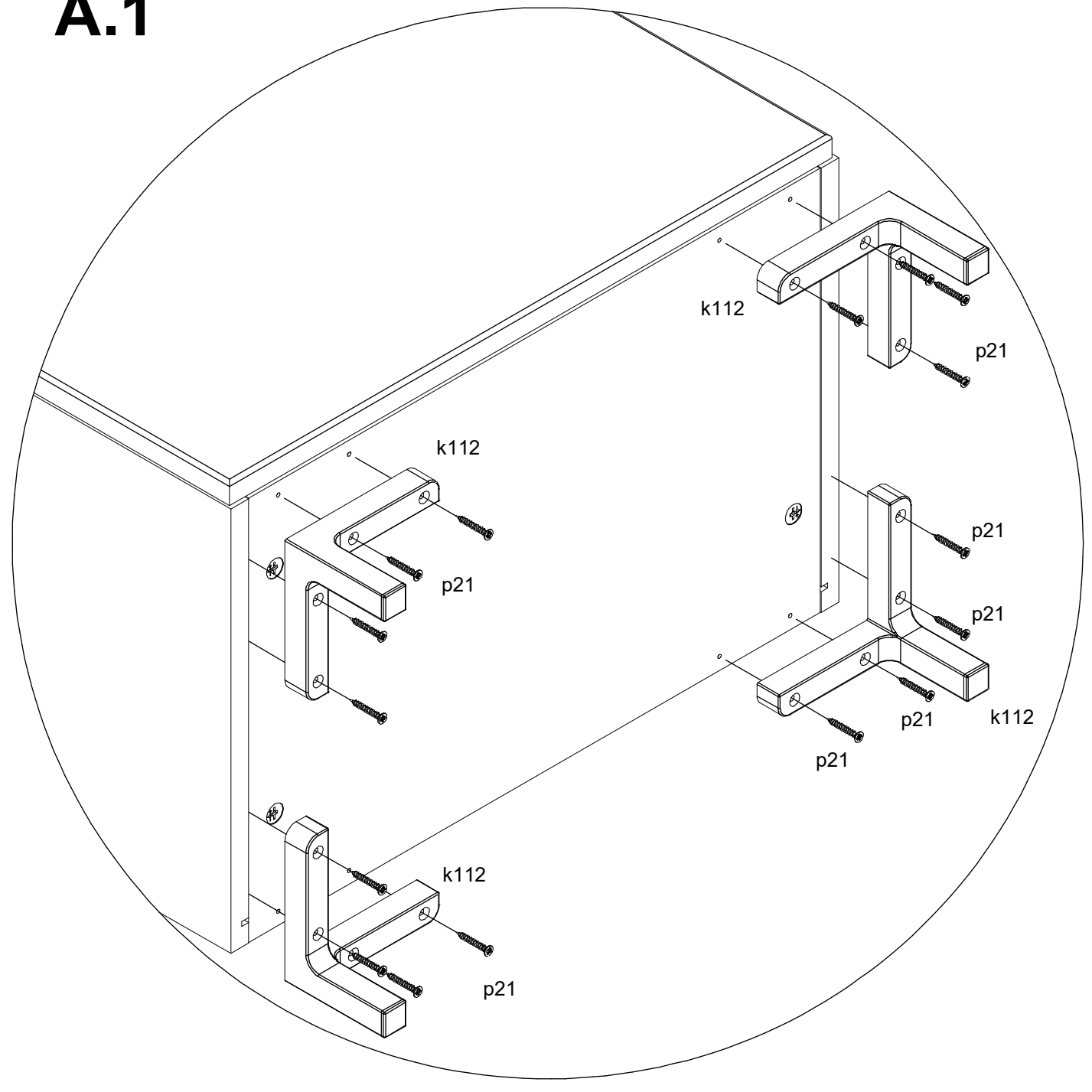


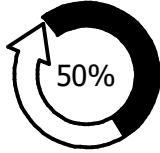
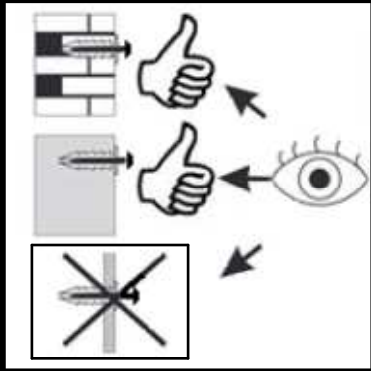
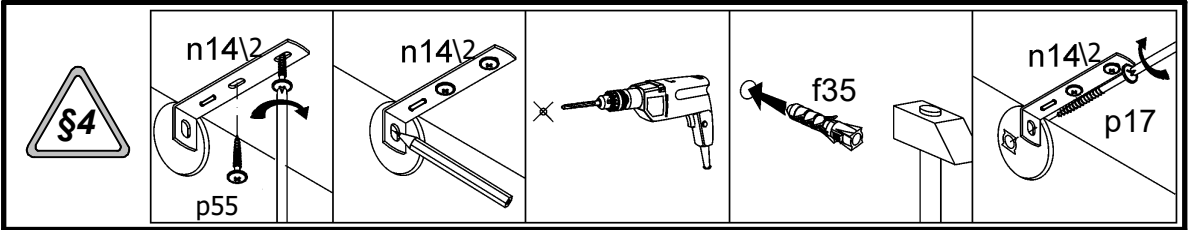




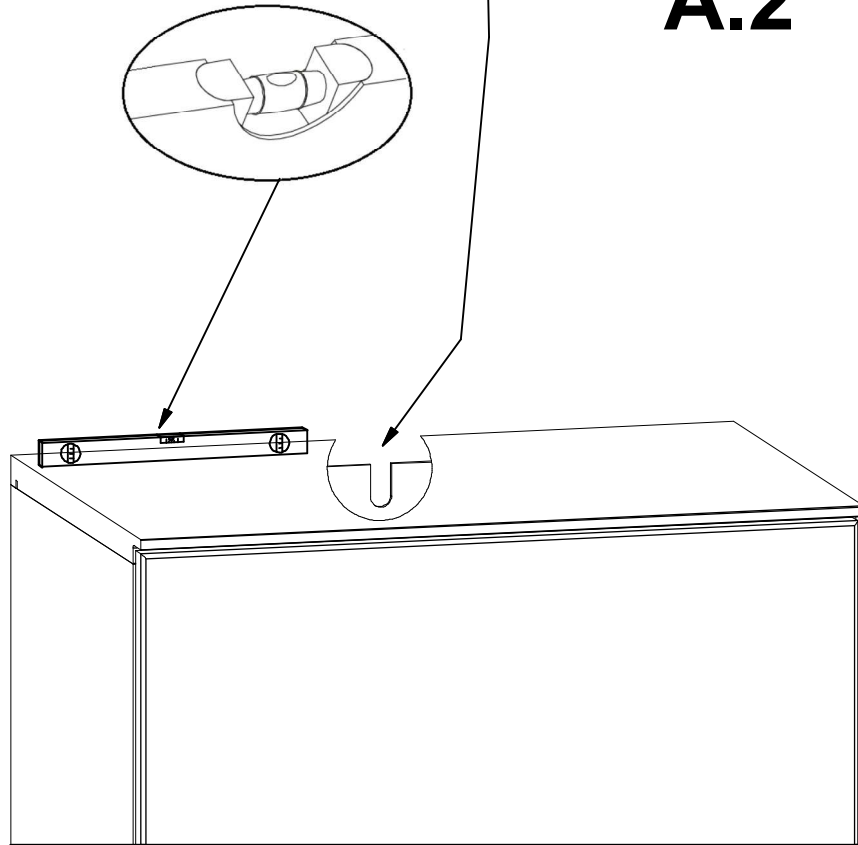
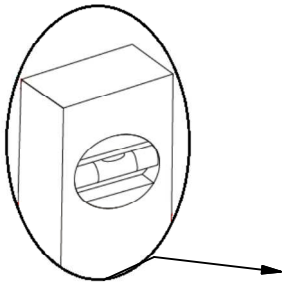
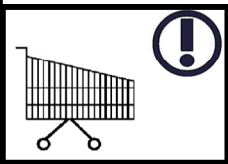
- 30 H8 00 01
- 30 H8 99 02
- 30 H8 99 15
- 30 H8 99 16
- 30 H8 99 20
- 30 H8 99 21


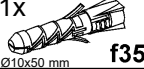
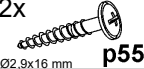
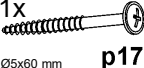
A.1





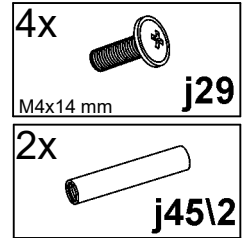
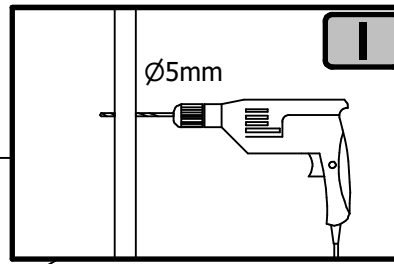
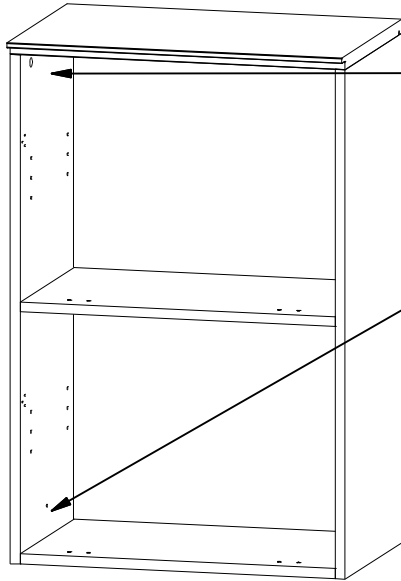
A.2



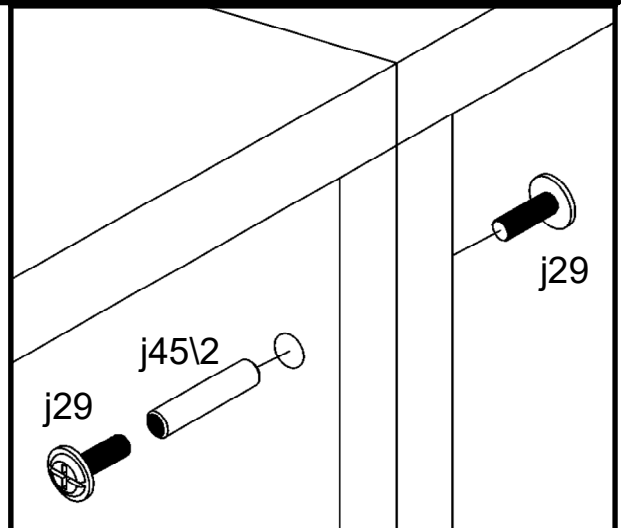
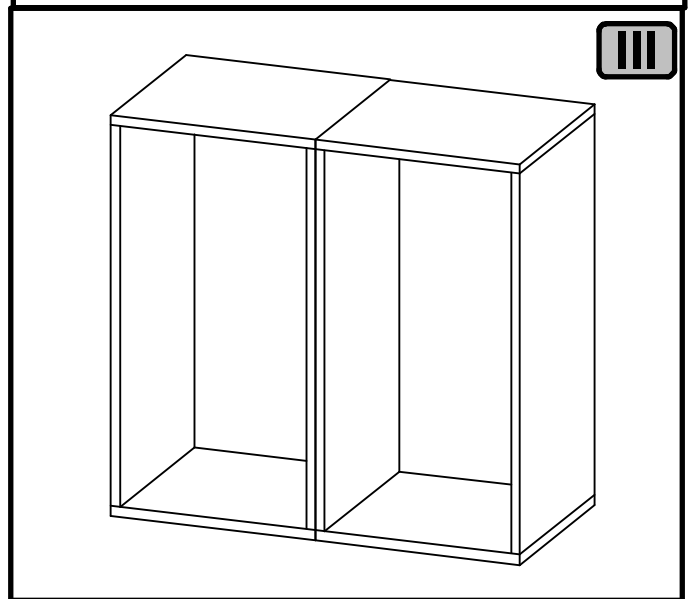
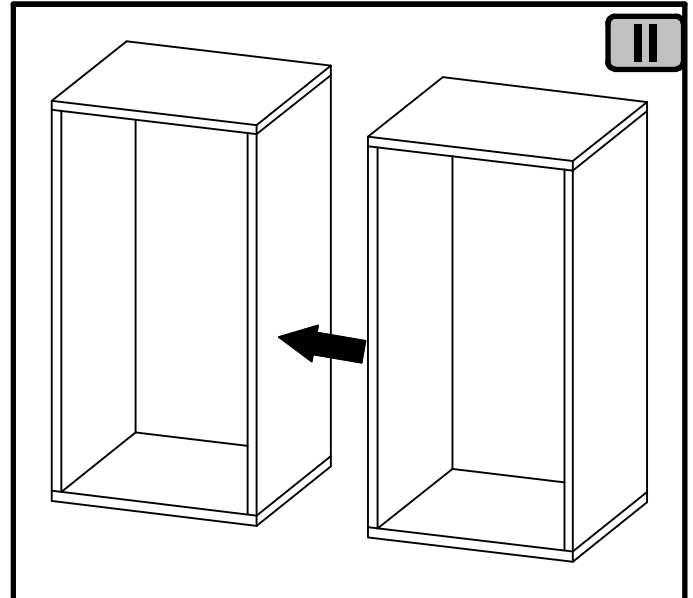
- 1x  n142  
88x21x19/1,5
- 1x  f35  
Ø10x50 mm
- 2x  p55  
Ø2.9x16 mm
- 1x  p17  
Ø5x60 mm

**A****NOGA PLASTIK****99 03 01 95**

4 / 7

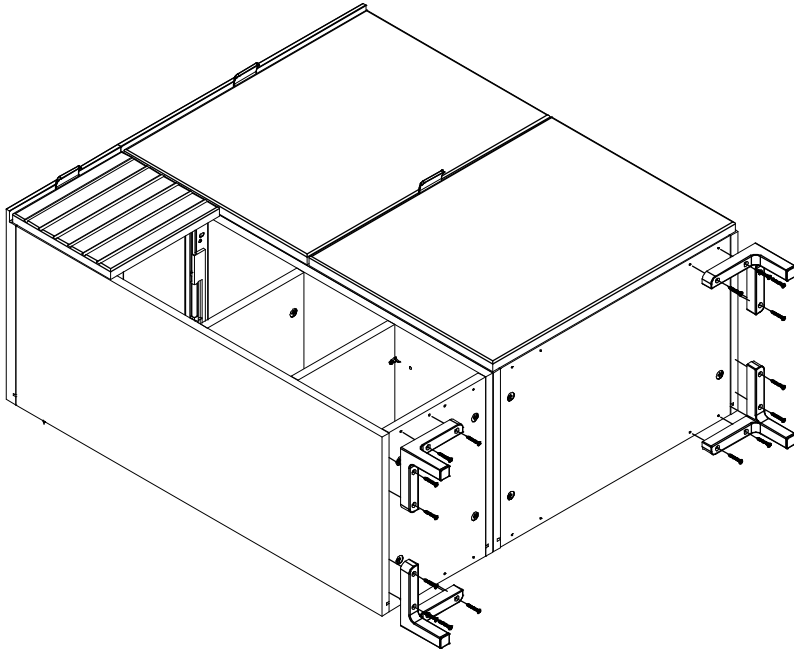
**B.1**

30 H8 99 90  
 30 H8 99 91  
 30 H8 99 80  
 30 H8 99 81  
 30 H8 99 82  
 30 H8 99 83  
 30 H8 99 84  
 30 H8 99 85





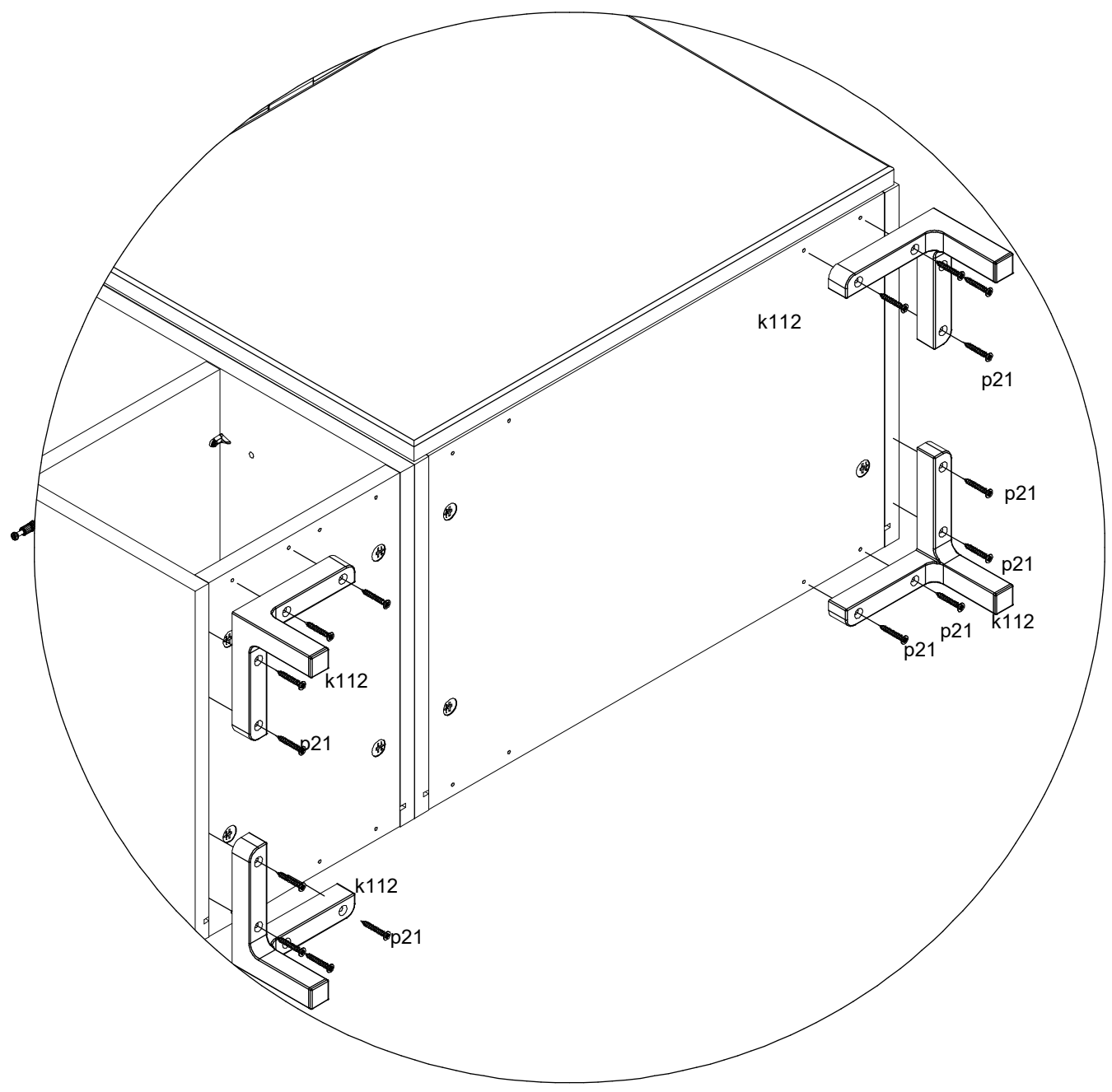
B.2



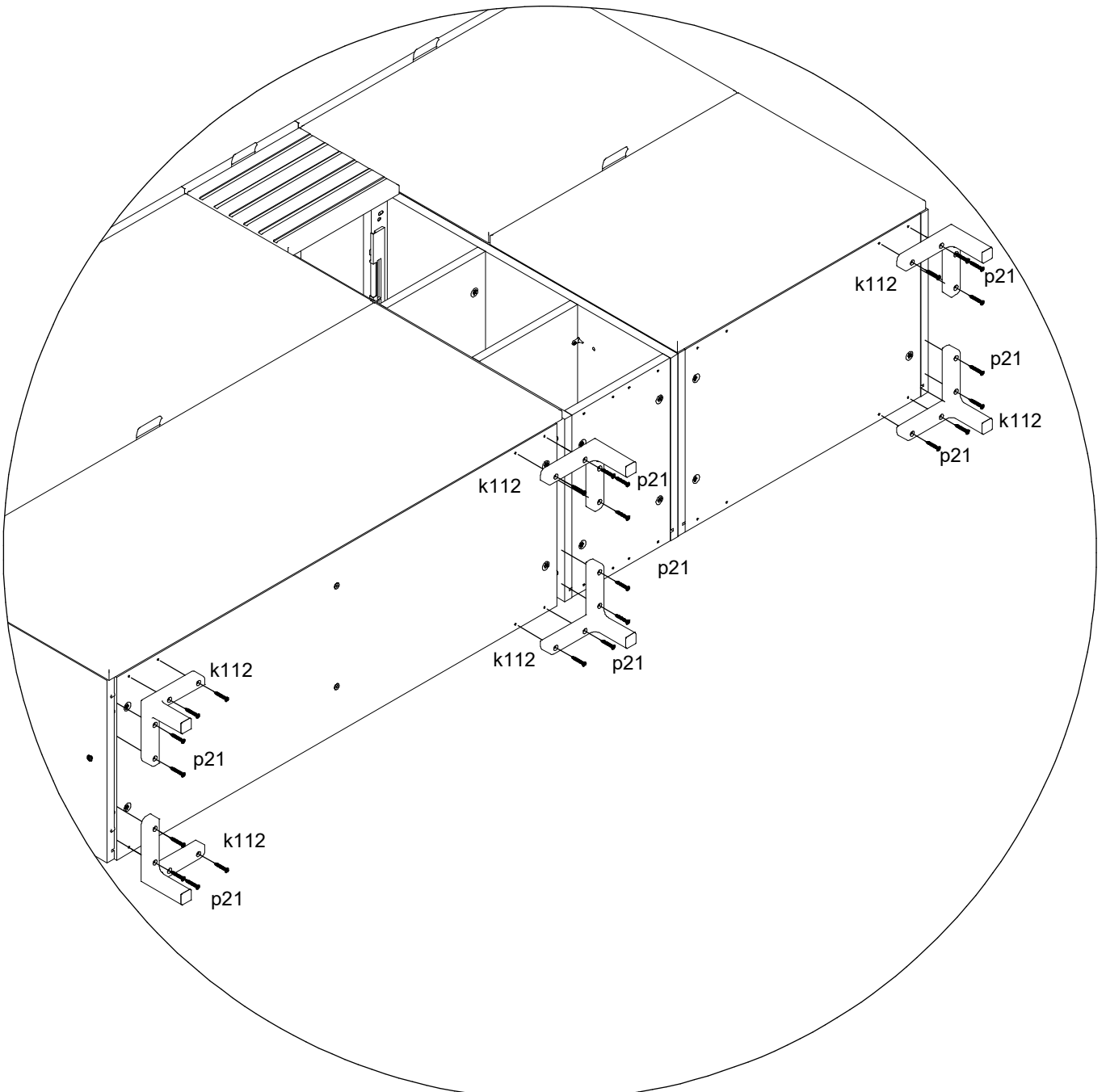
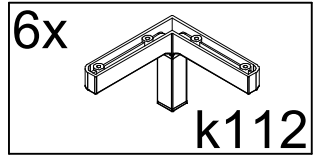
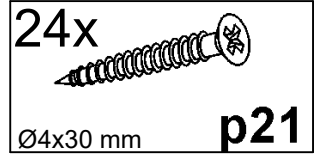
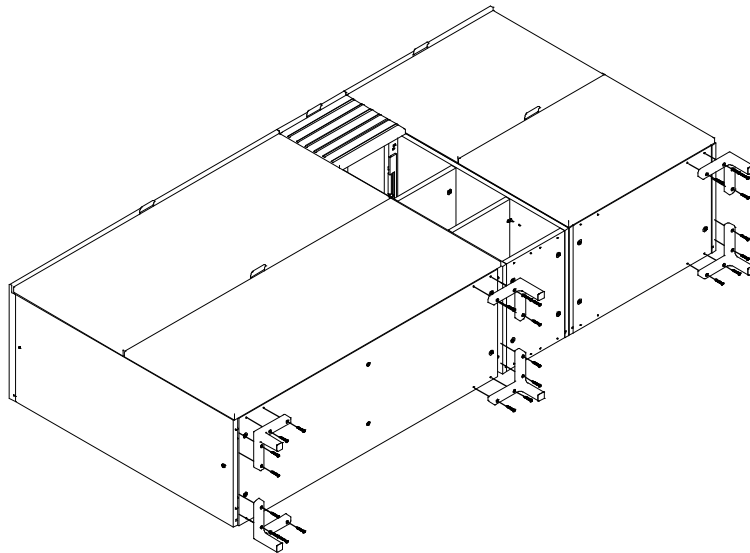
16x  
Ø4x30 mm **p21**

4x  
**k112**

This inset provides a detailed view of the hardware. It shows a screw with a diameter of 4mm and a length of 30mm, labeled 'p21'. Below it, it shows four L-shaped corner brackets, labeled 'k112', which are used to connect the side panel to the cabinet's frame.

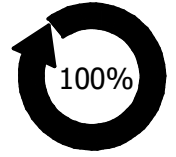
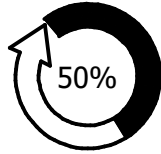
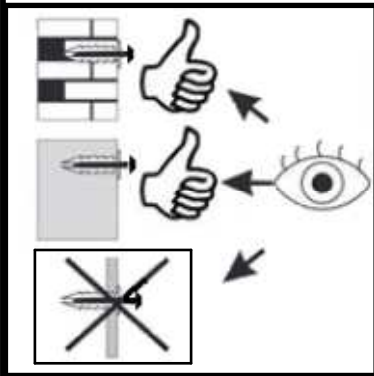
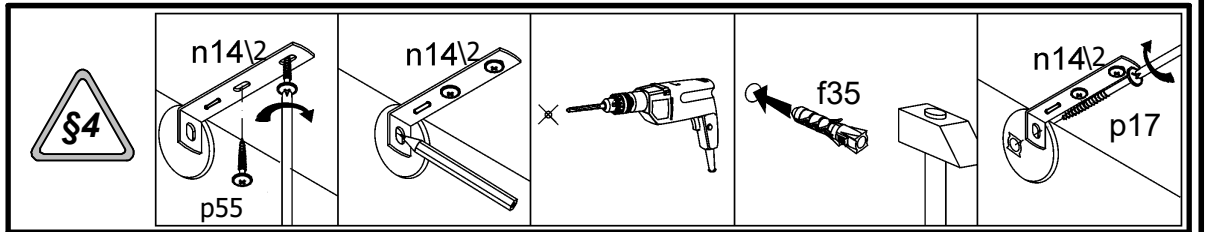
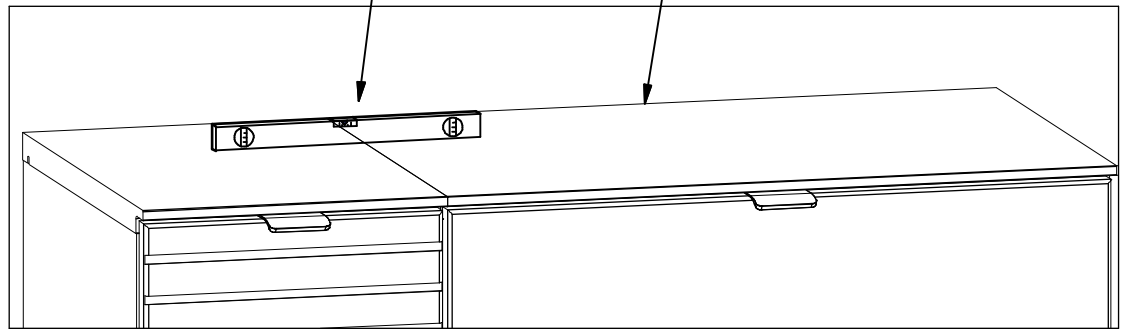
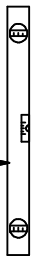
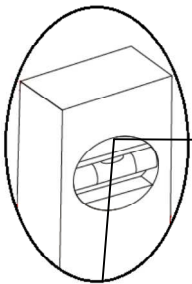
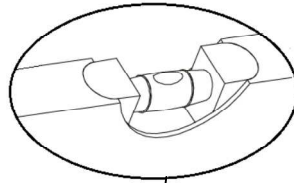
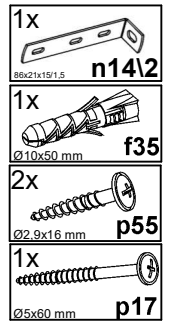
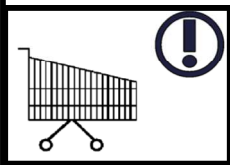


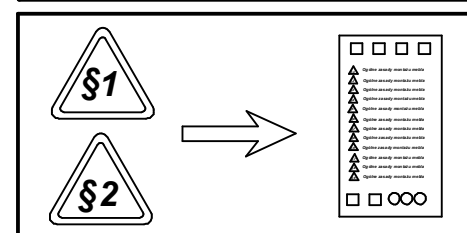
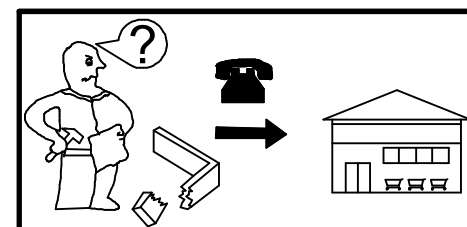
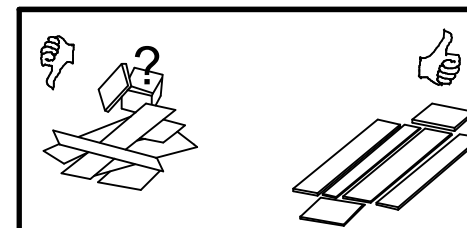
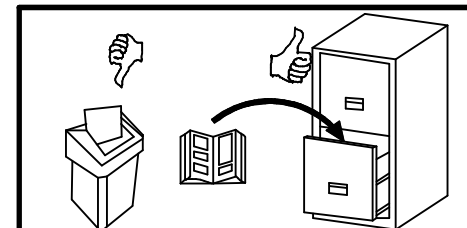
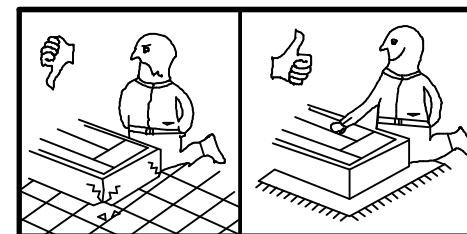
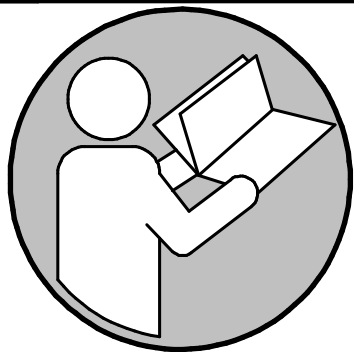
B.2



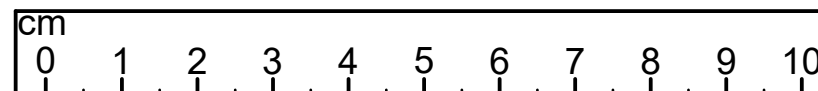
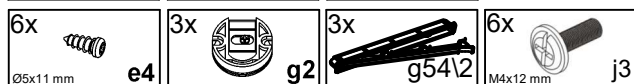
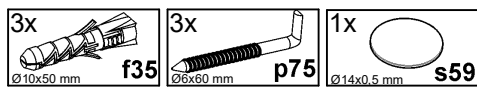
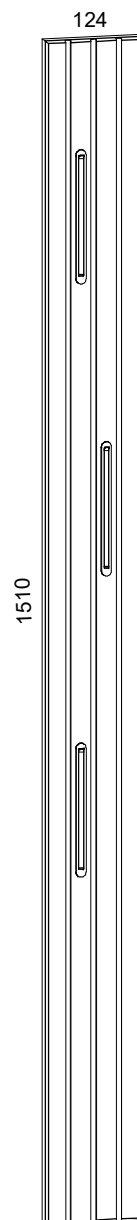
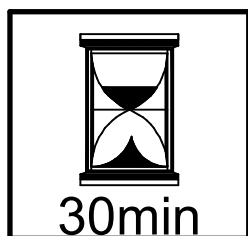
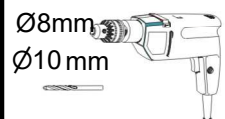
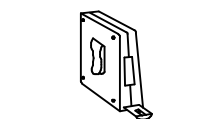
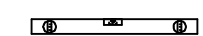
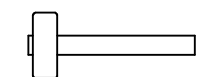
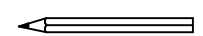
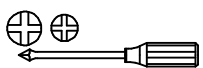
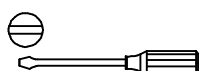
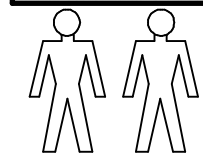
**A****NOGA PLASTIK****99 03 01 95**

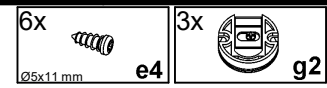
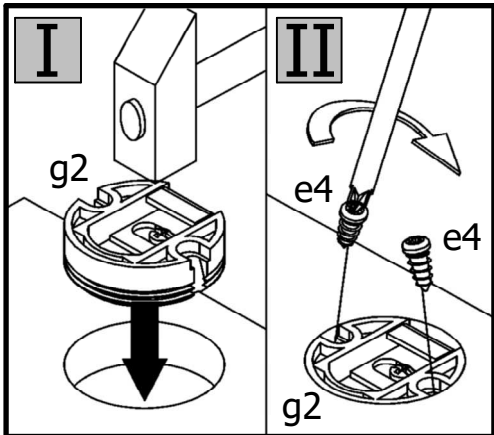
7 / 7

**B.3**

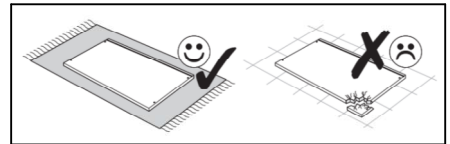
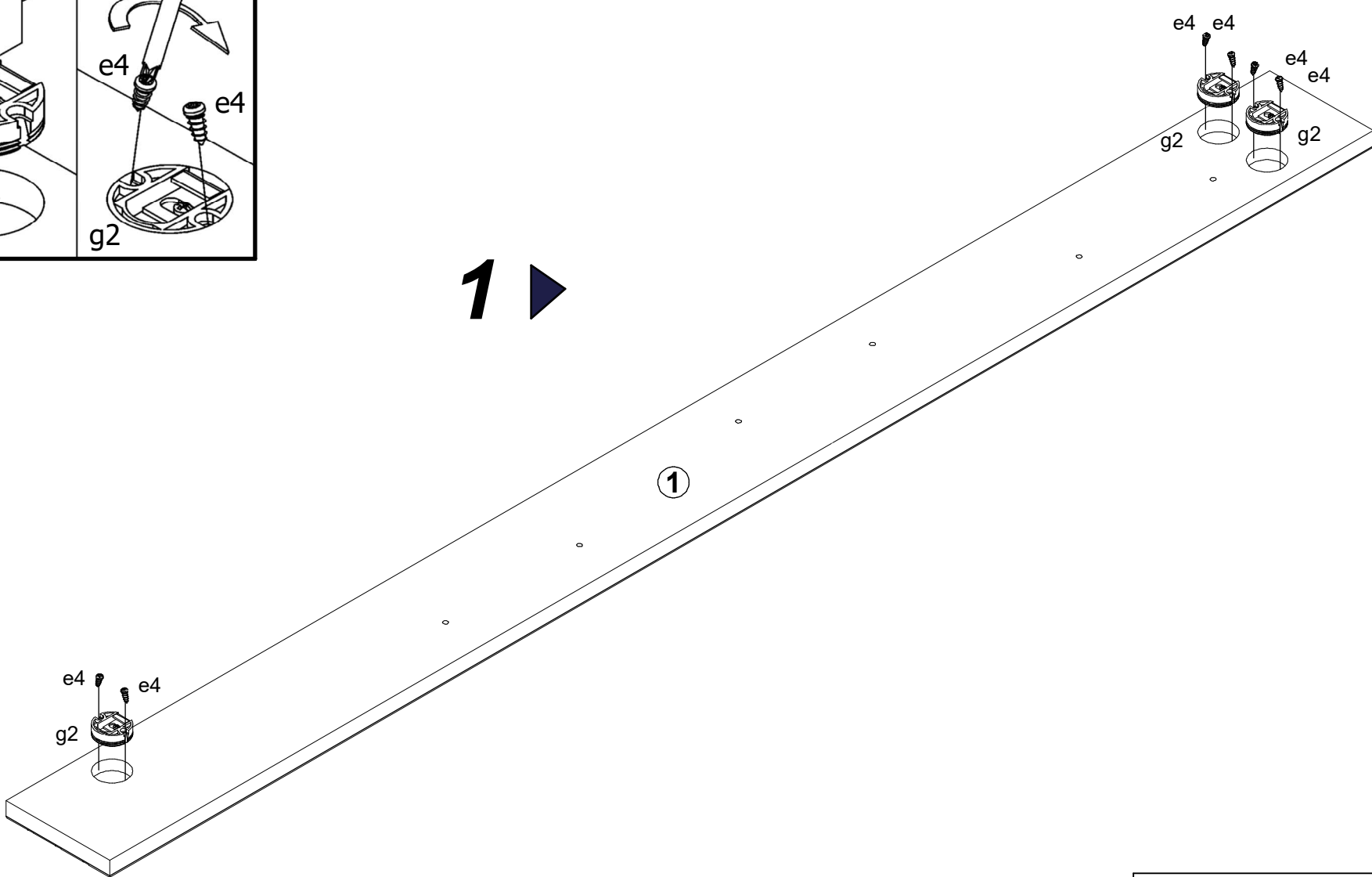


A	B1	B2	C1	C2	C3	C4	D
1	M278-4001	-	1510	124	19	1	1/1

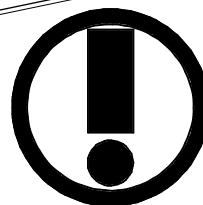
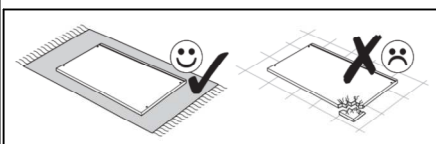
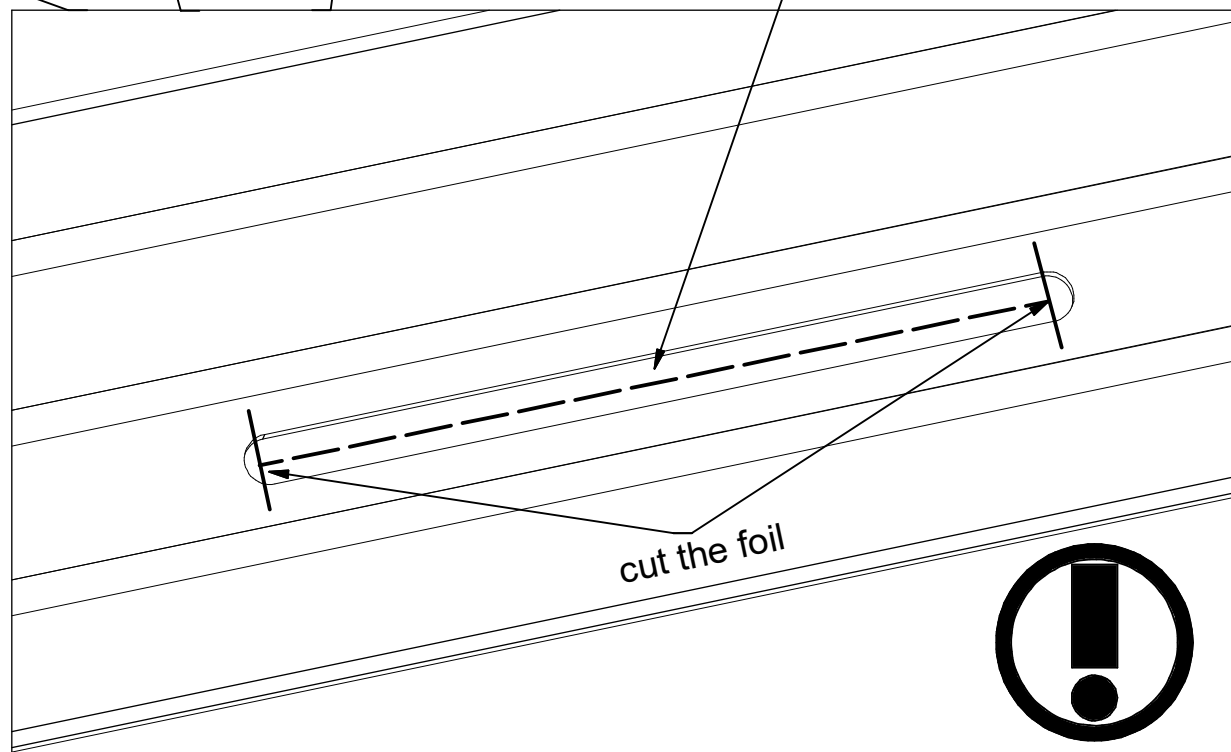
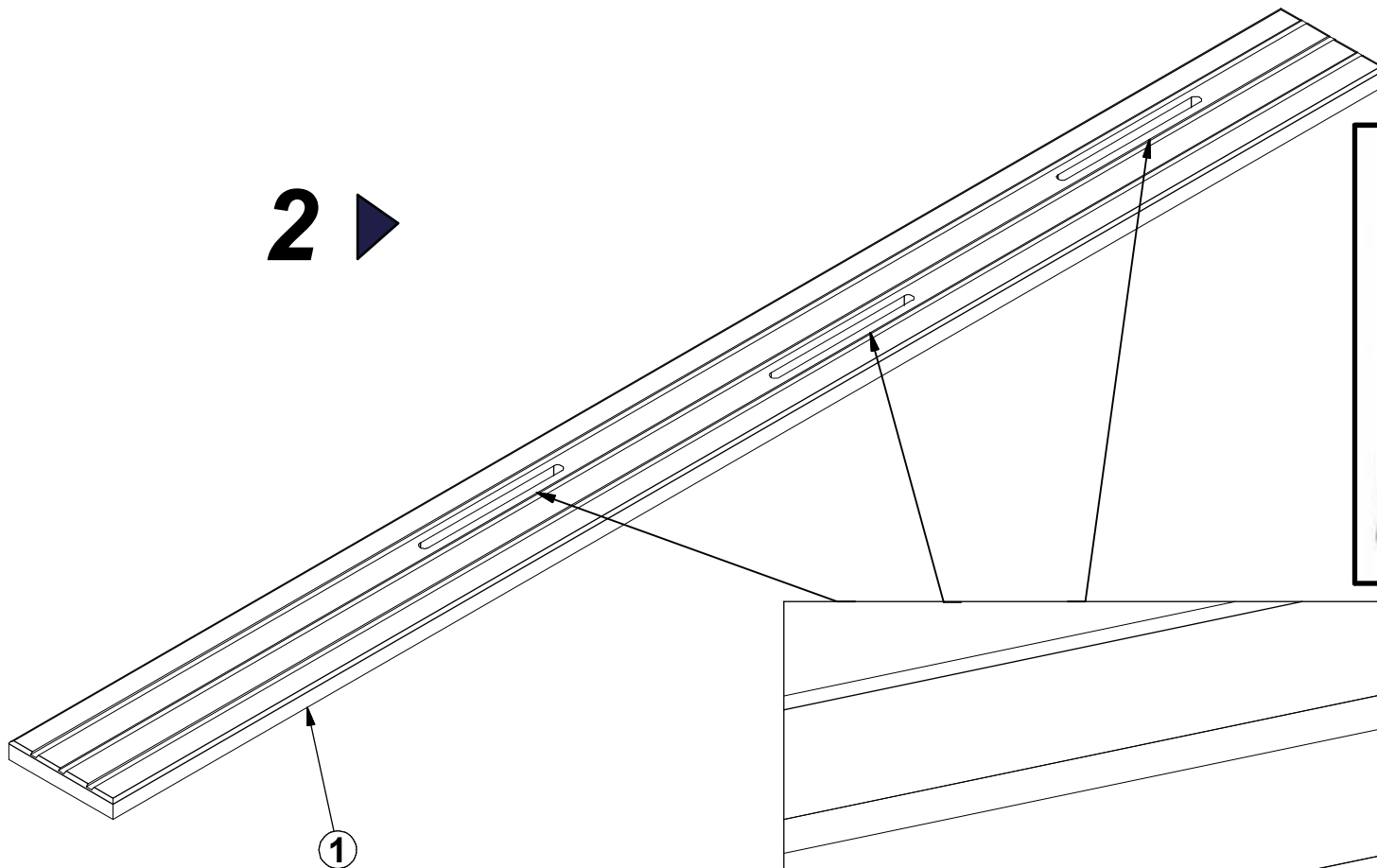


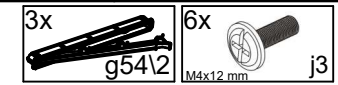


1 ▶

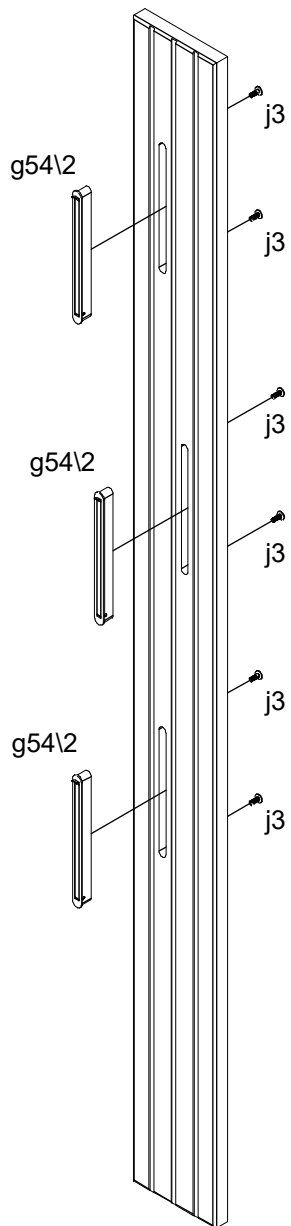
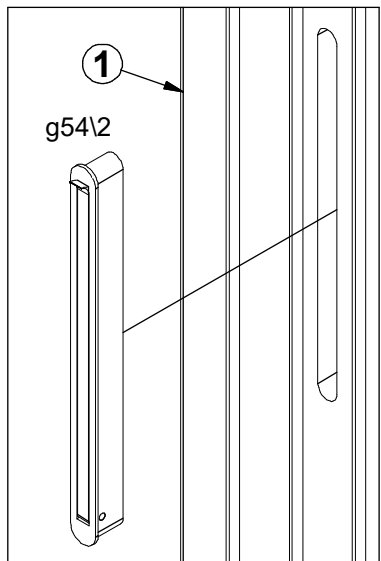


2 ▶

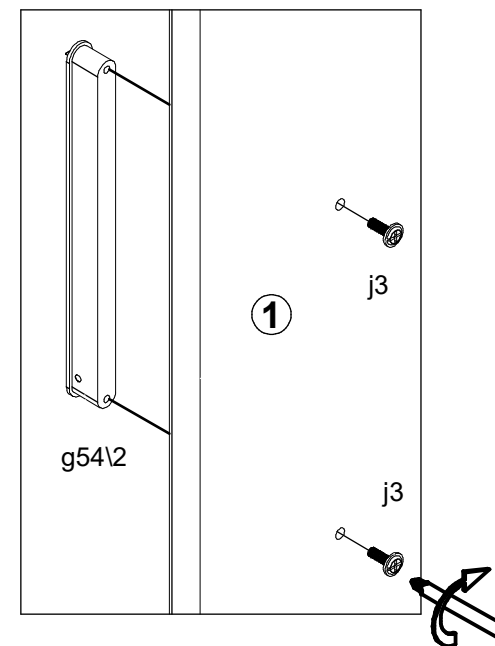
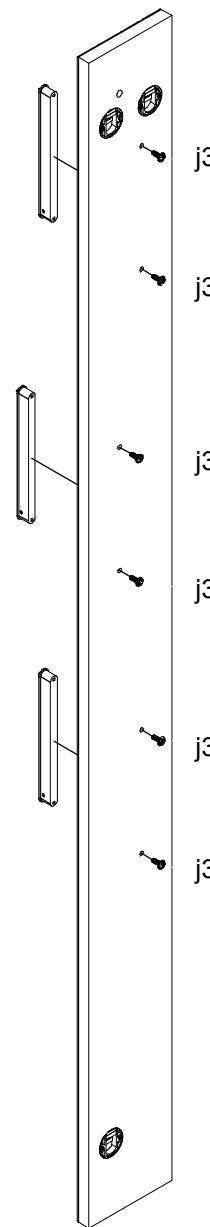


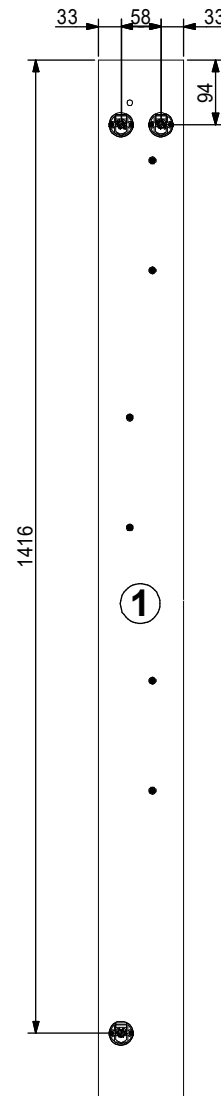
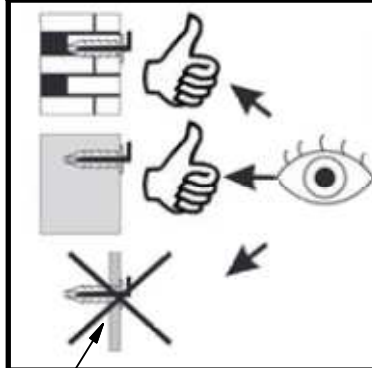
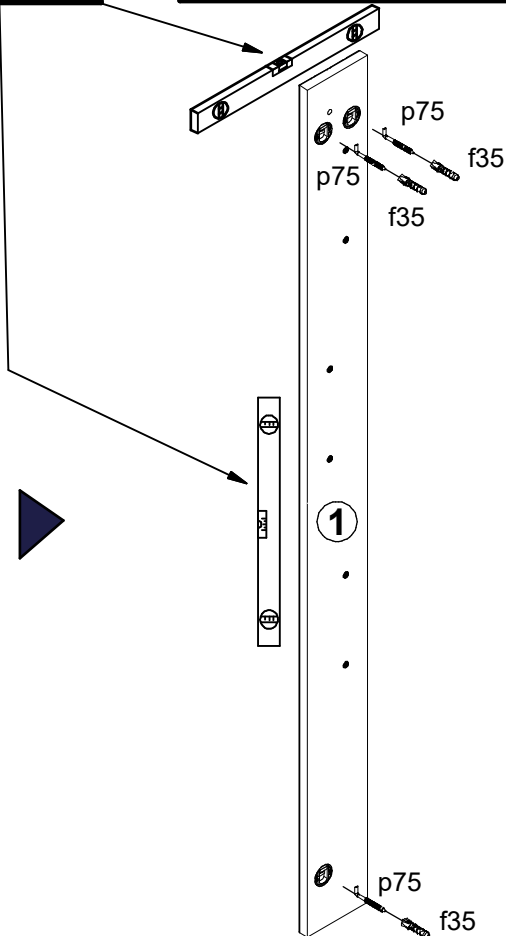
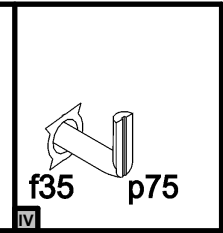
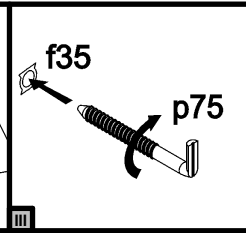
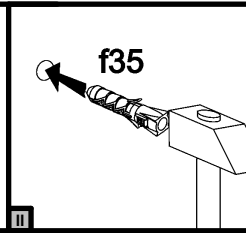
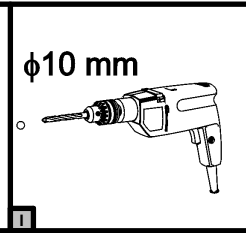
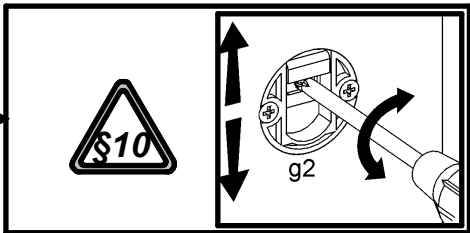
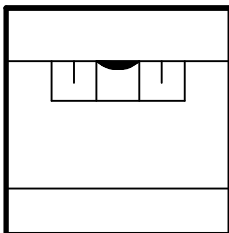


3 ▶



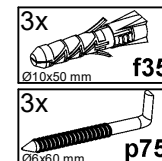
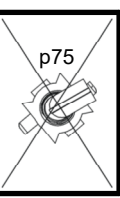
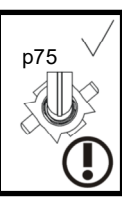
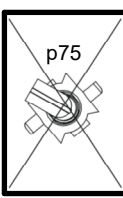
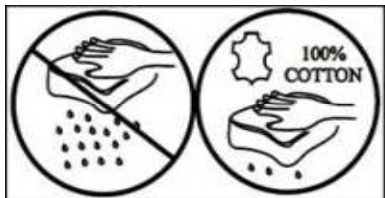
◀ 4



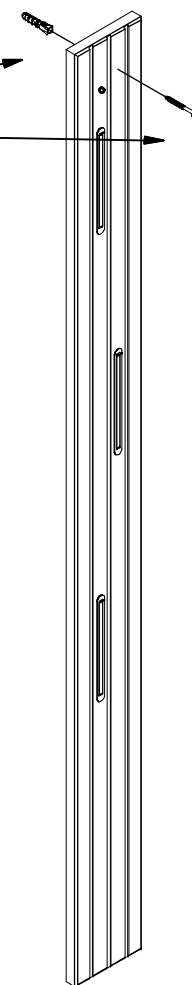
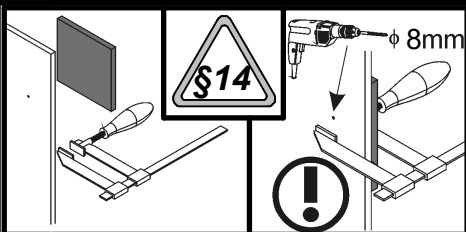


6

5







8

7

