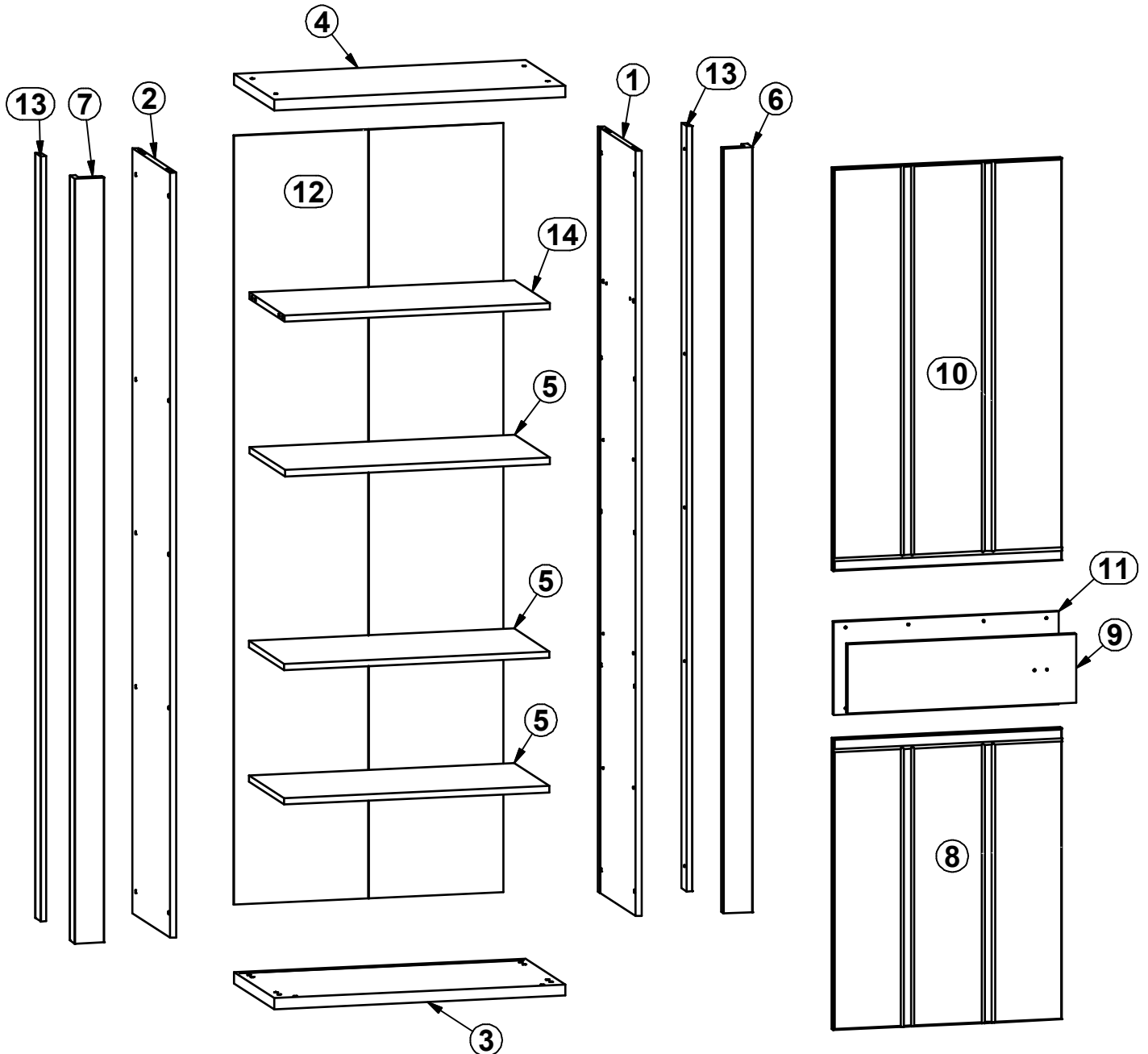
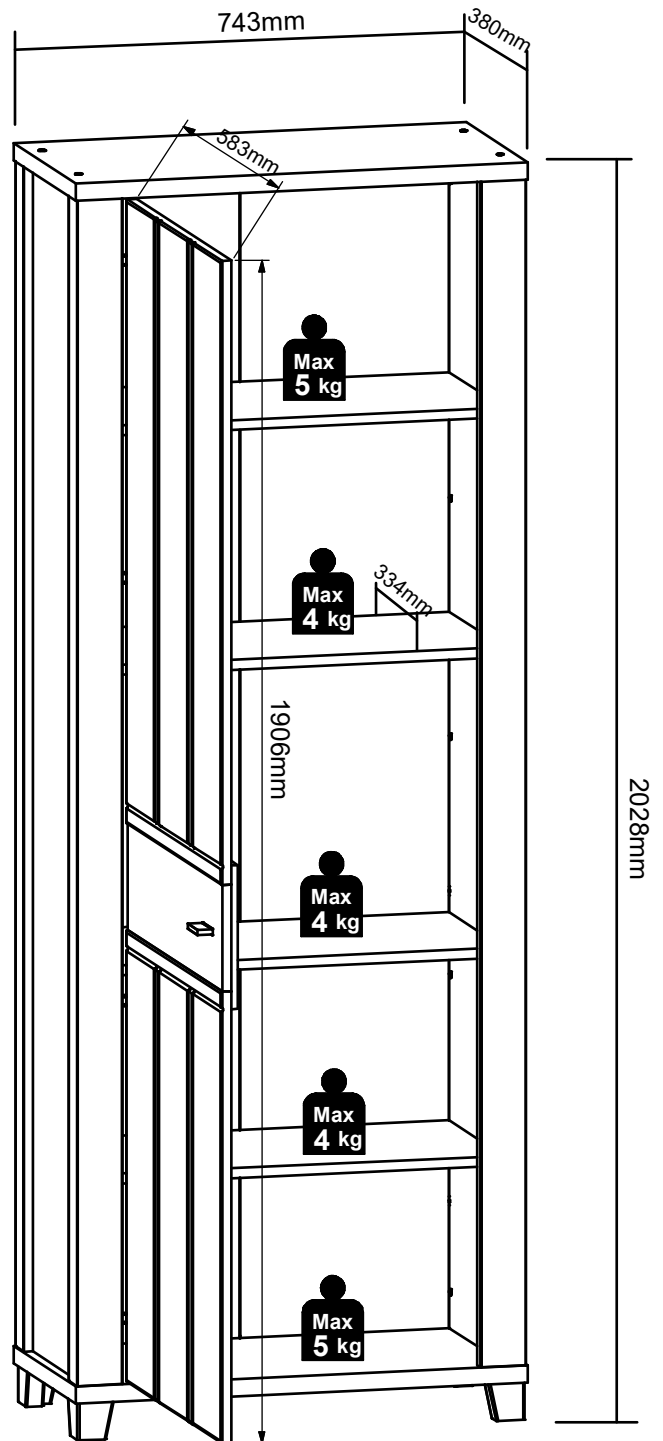
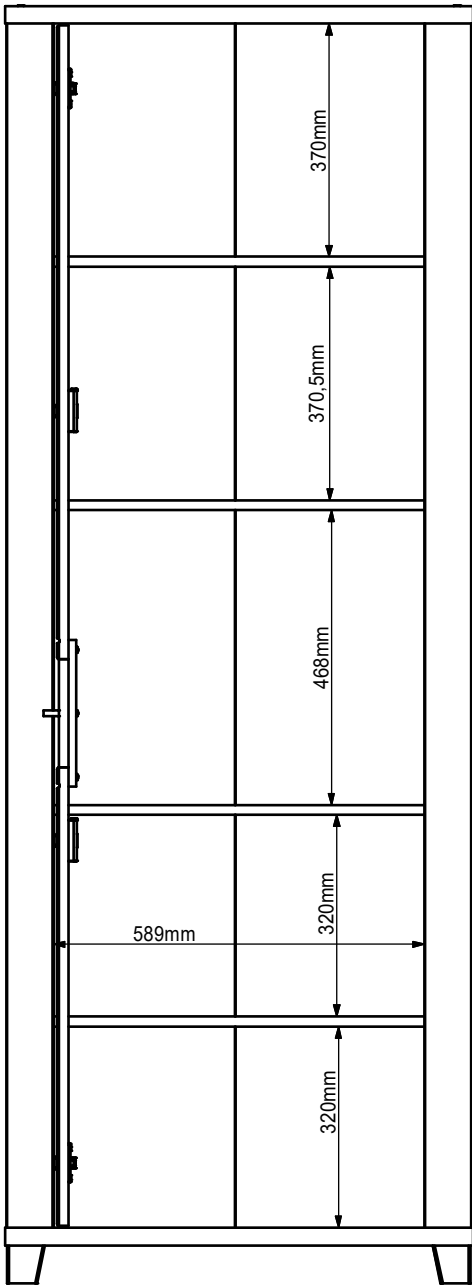
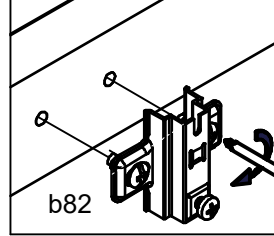
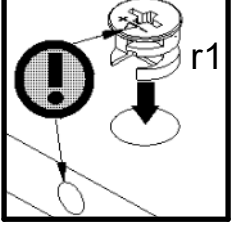
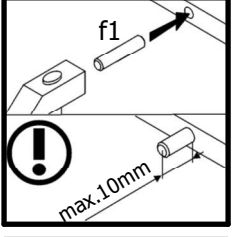
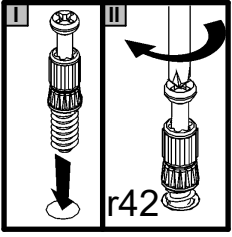
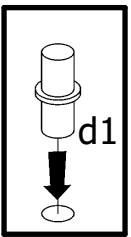
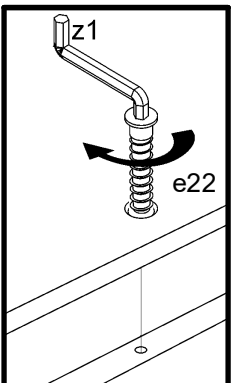
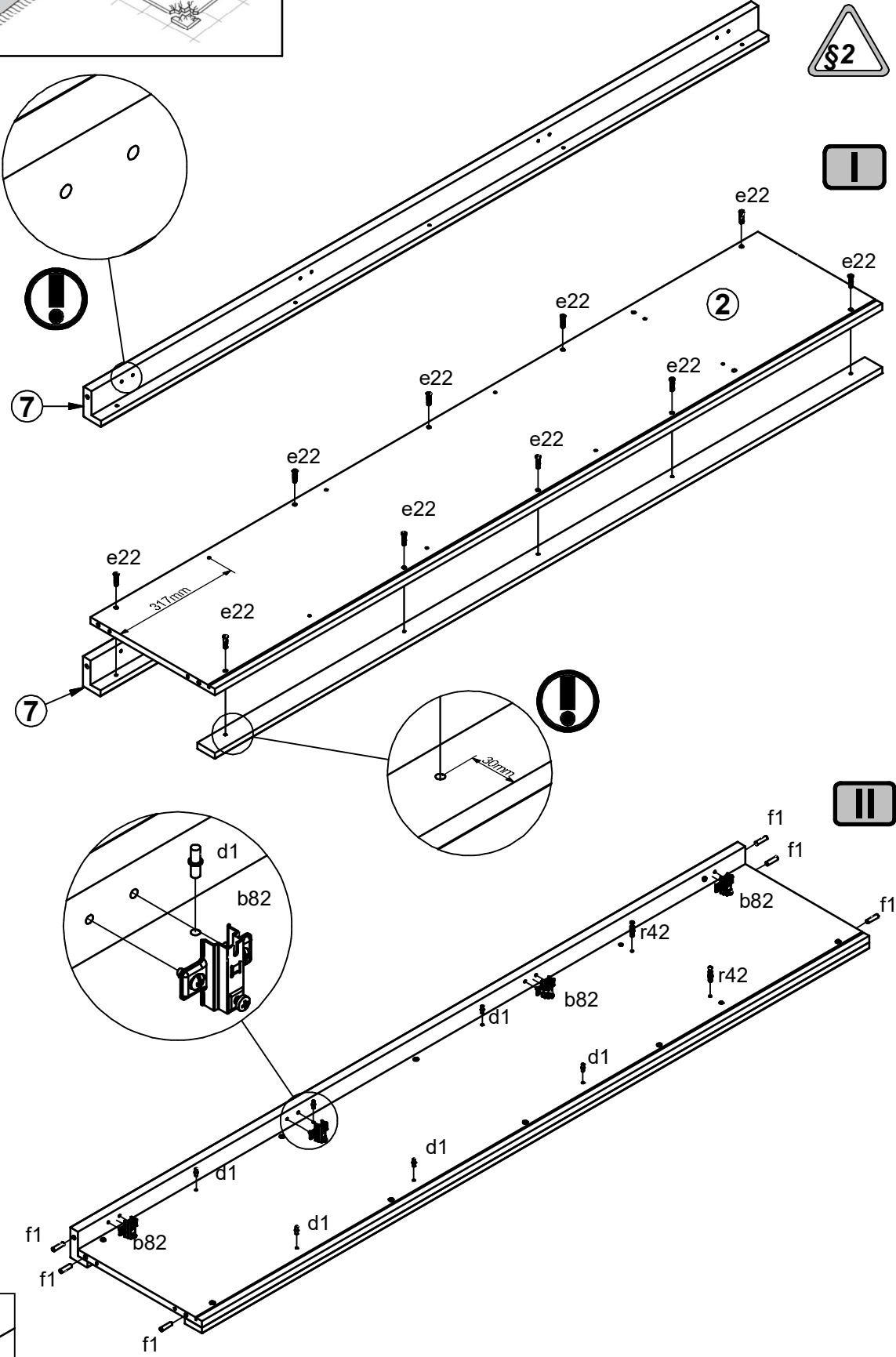
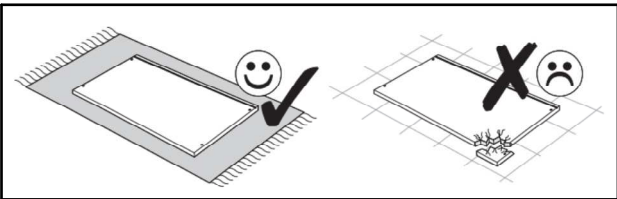


A	B1	B2	C1	C2	C3	D
1	M276-1012	-3	1912	356	16	2/3
2	M276-1013	-3	1912	356	16	2/3
3	M276-2002	-3	743	380	28	1/3
4	M276-2007	-3	743	380	28	1/3
5	M276-3001	-3	676	335	16	1/3
6	M276-5010	-2	1912	75	50	2/3
7	M276-5012	-2	1912	75	50	2/3
8	M276-7001	-2	728	583	18	3/3
9	M276-7002	-3	583	172	16	3/3
10	M276-7003	-2	1006	583	18	3/3
11	M276-7006	-3	573	232	12	3/3
12	M276-9304	-2	1922	687	2.5	2/3
13	S574-5004	-3	1912	50	15	2/3
14	M276-3006	-1	677	336	16	1/3







- 2x

r42
- 4x

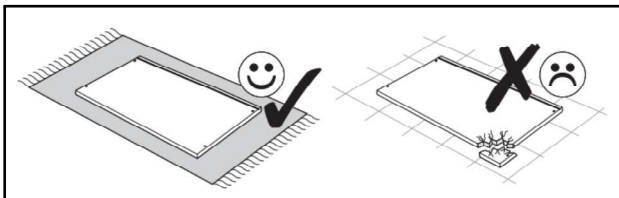
b82
- 10x

e22
- 6x

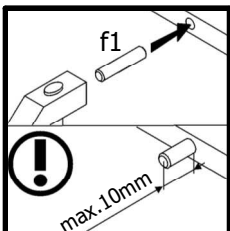
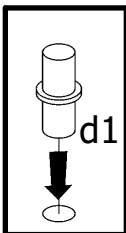
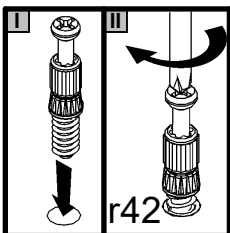
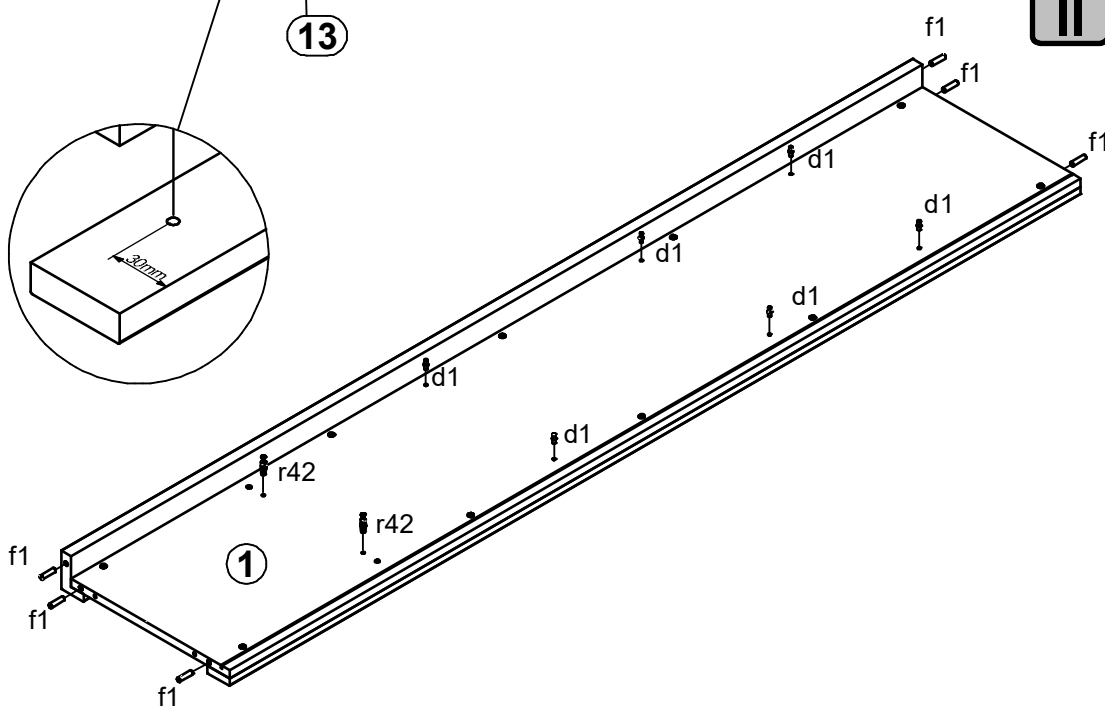
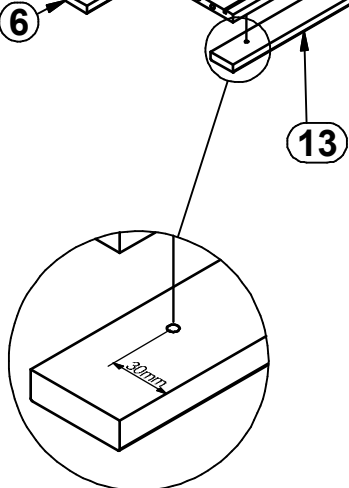
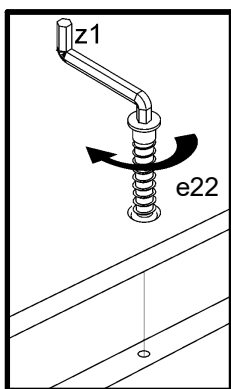
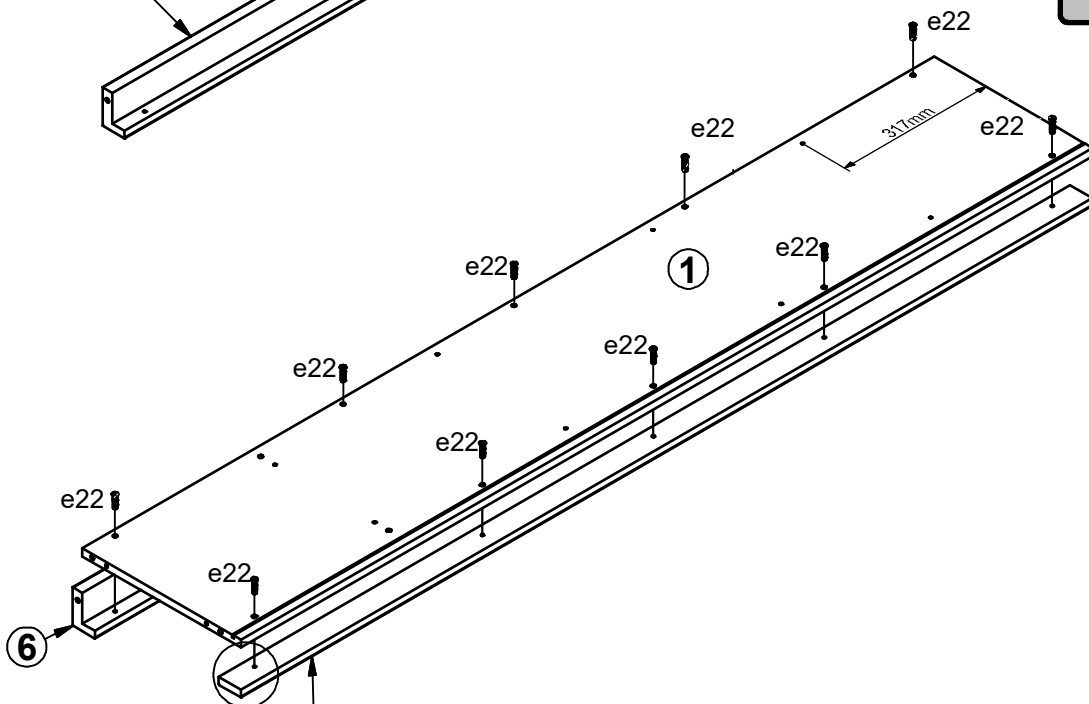
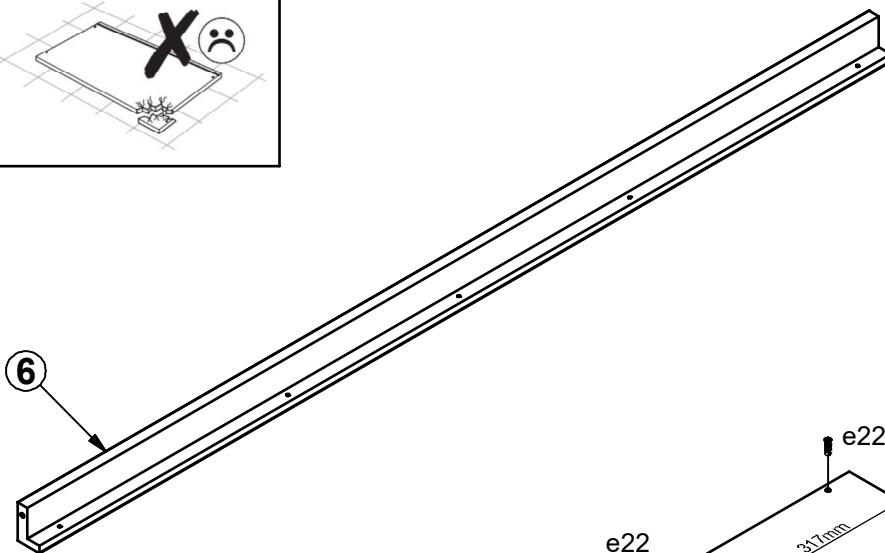
d1
- 6x

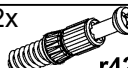
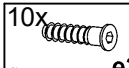
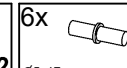
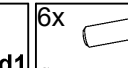
f1
- 2x

r1

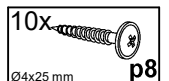
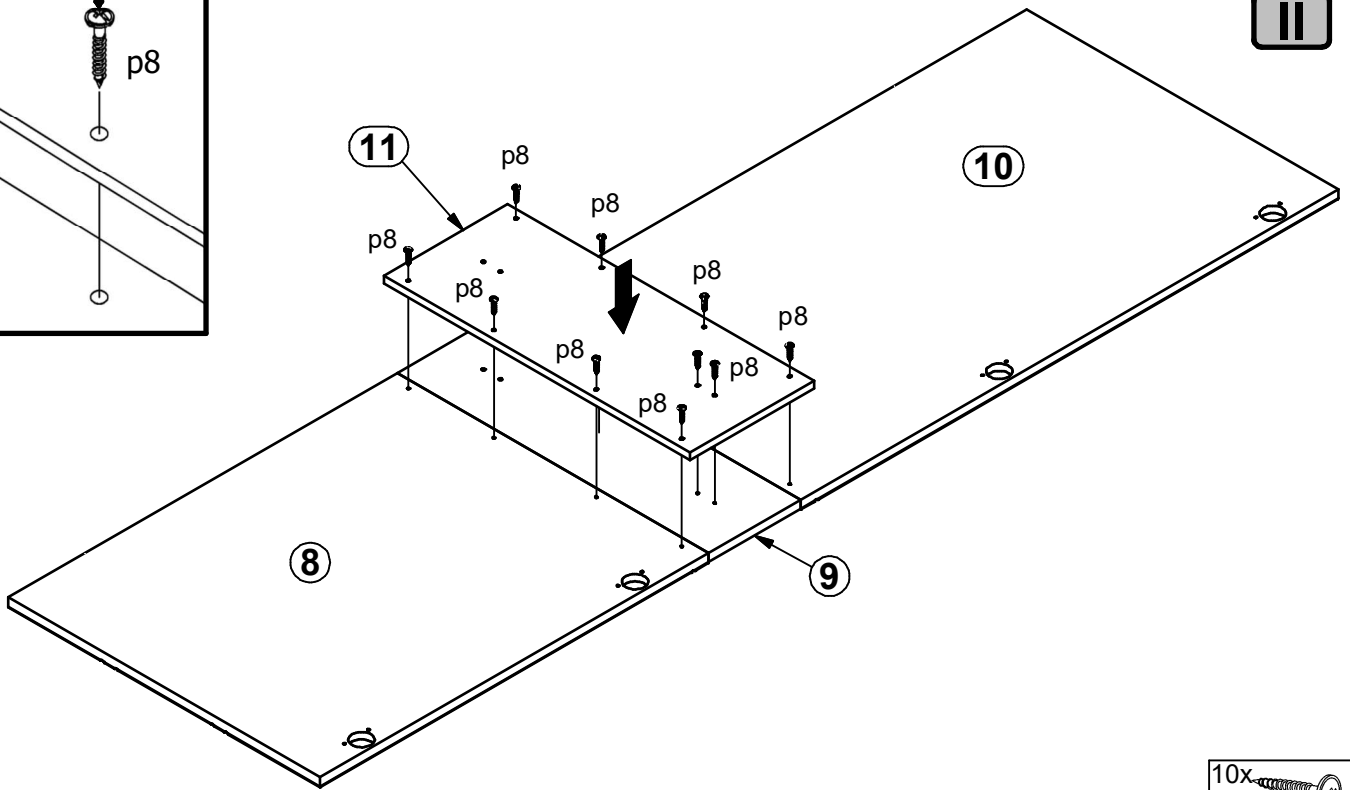
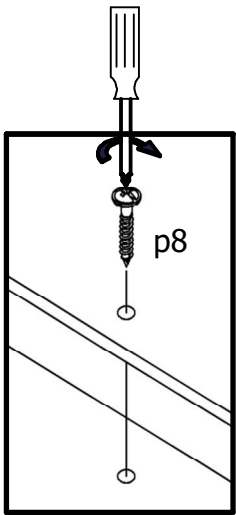
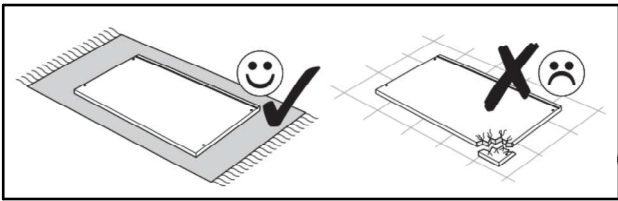
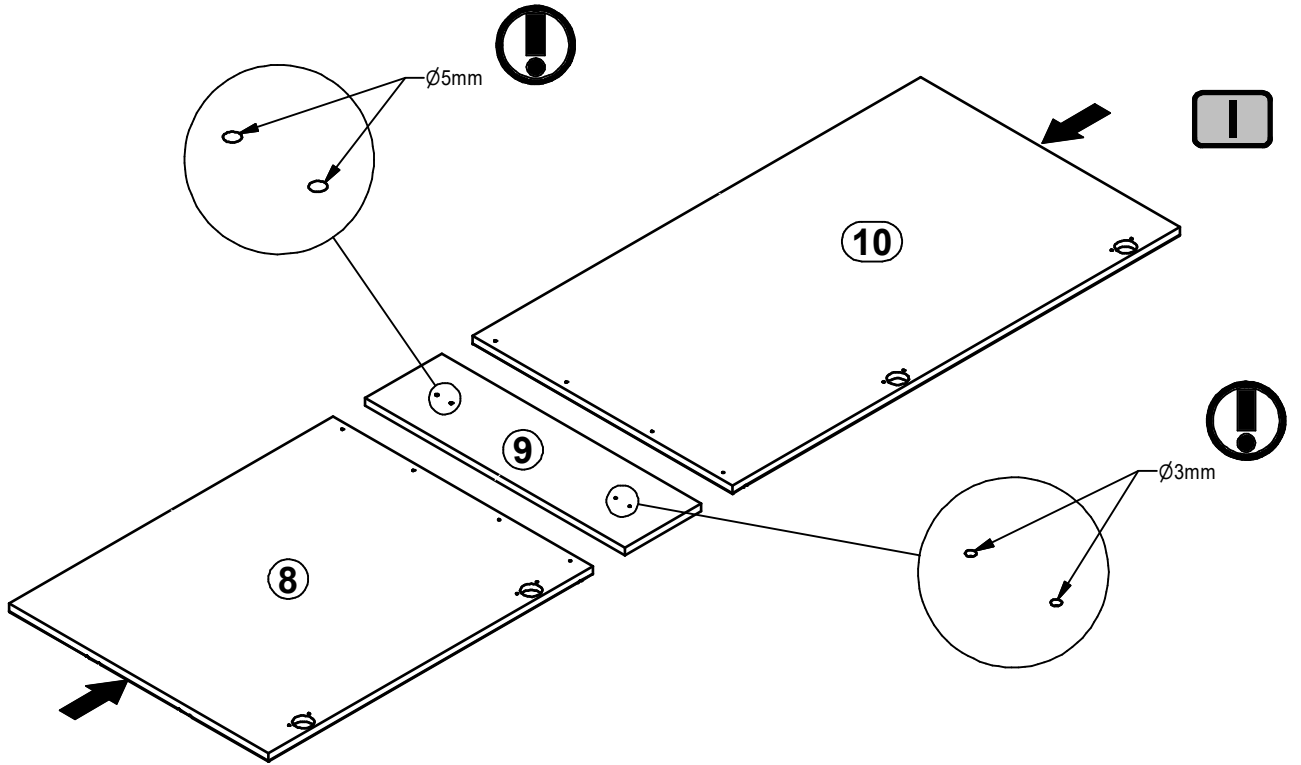


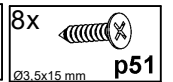
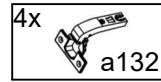
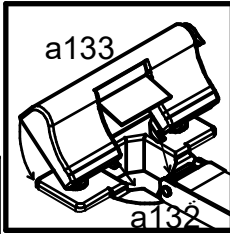
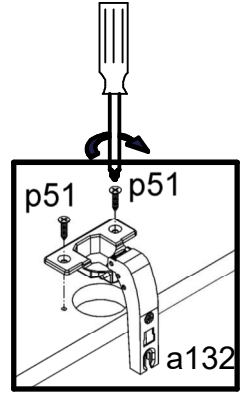
2



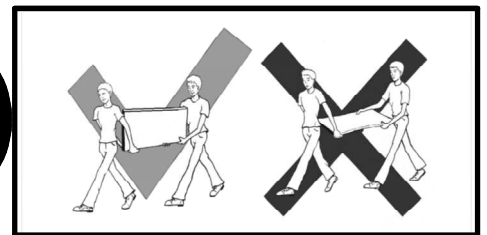
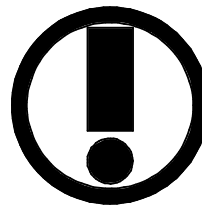
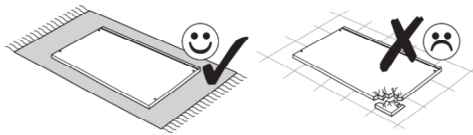
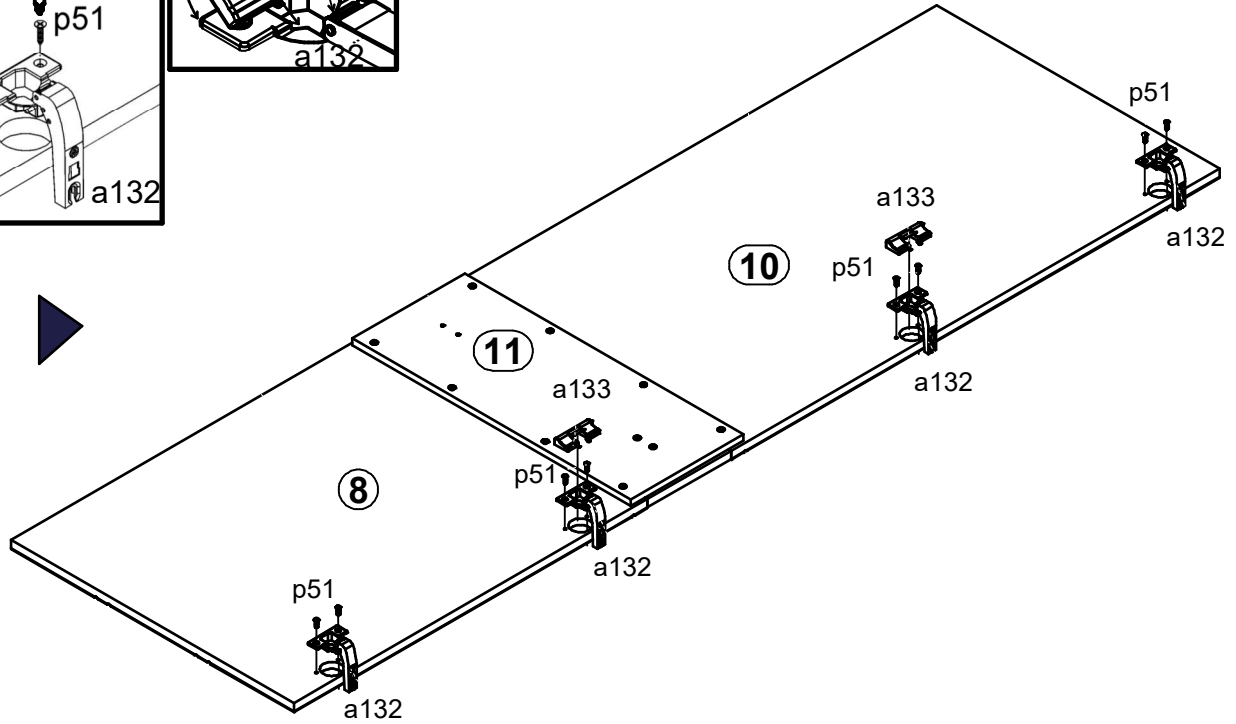
2x  20/11 <b>r42</b>	10x  Ø7x28 mm <b>e22</b>	6x  Ø5x17 mm <b>d1</b>	6x  Ø8x30 mm <b>f1</b>
---	--	--	--

3

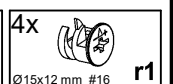
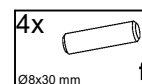
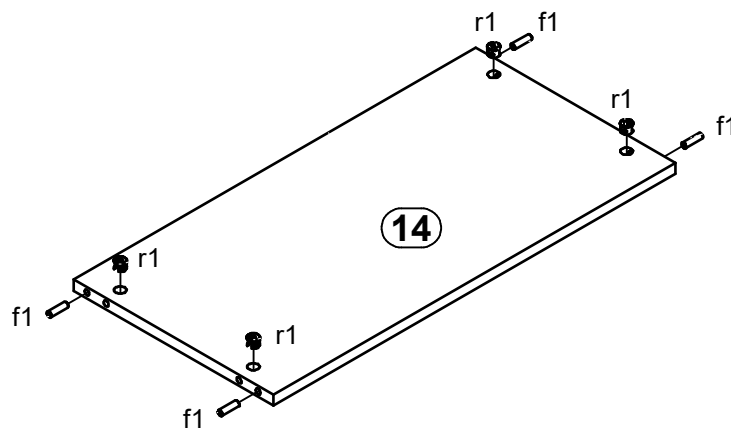
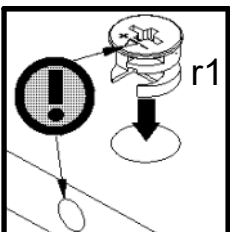
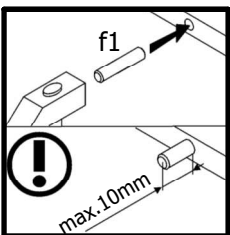


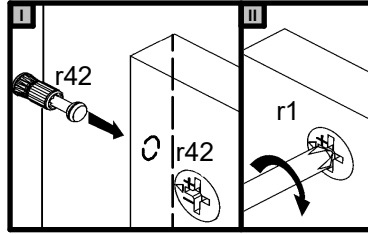
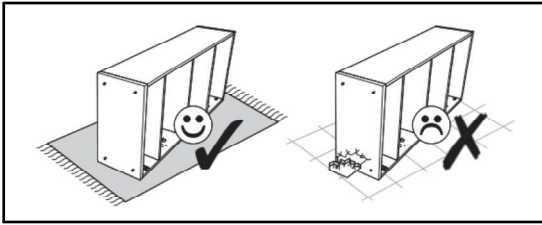


4 ▶

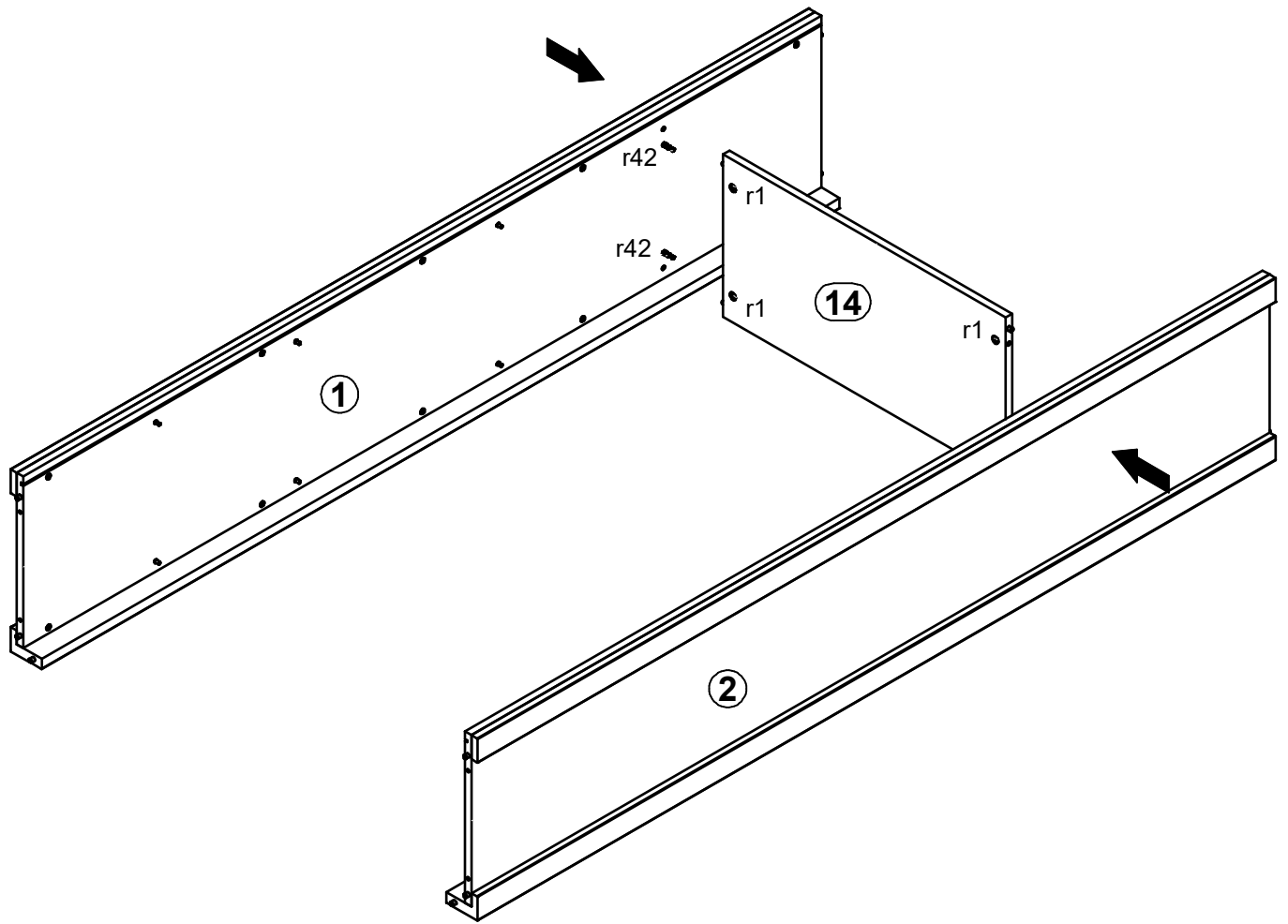


5 ▶

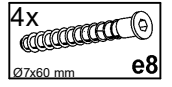
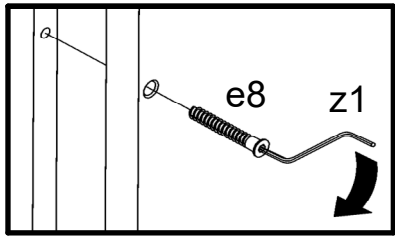




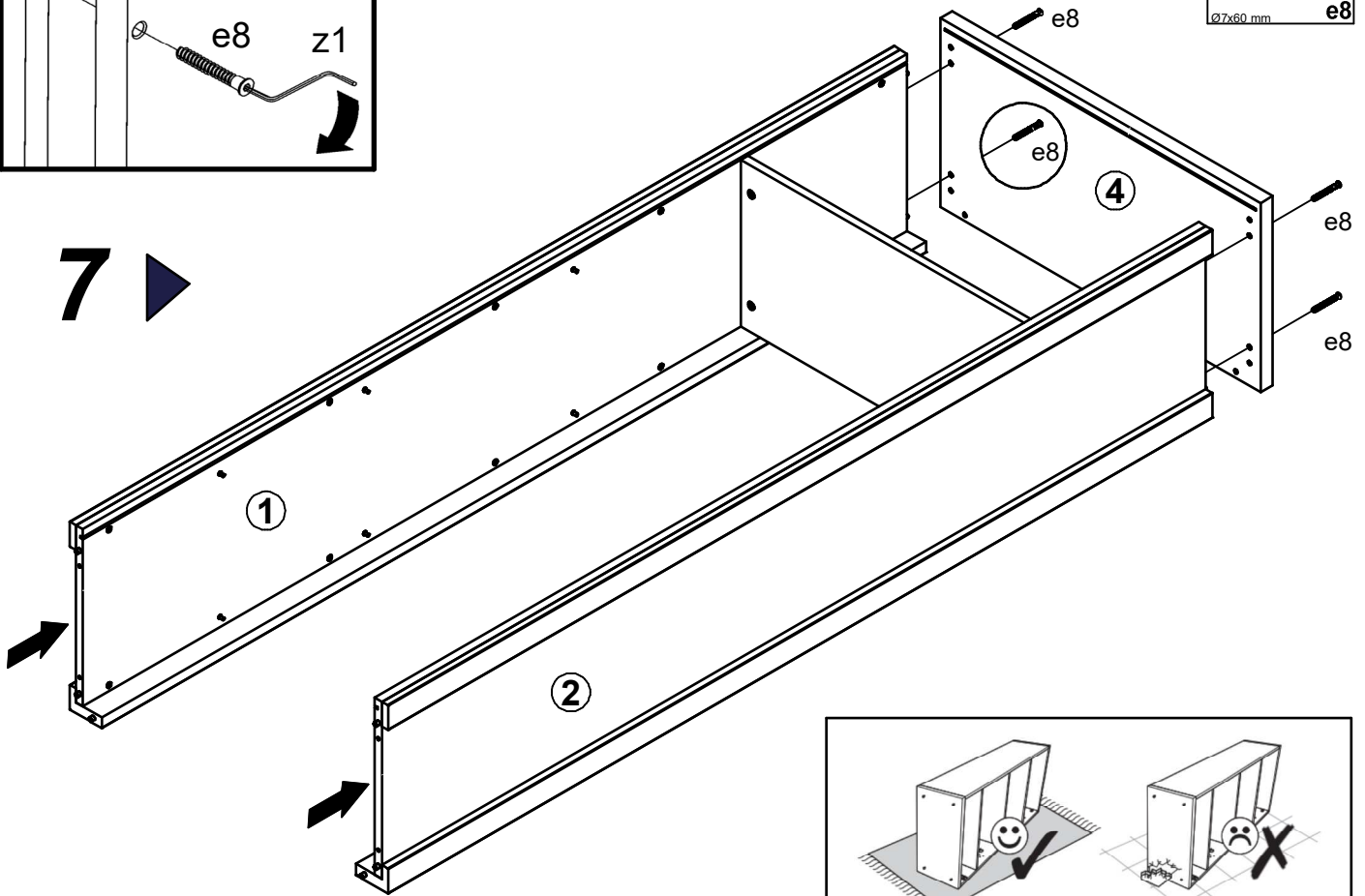
6



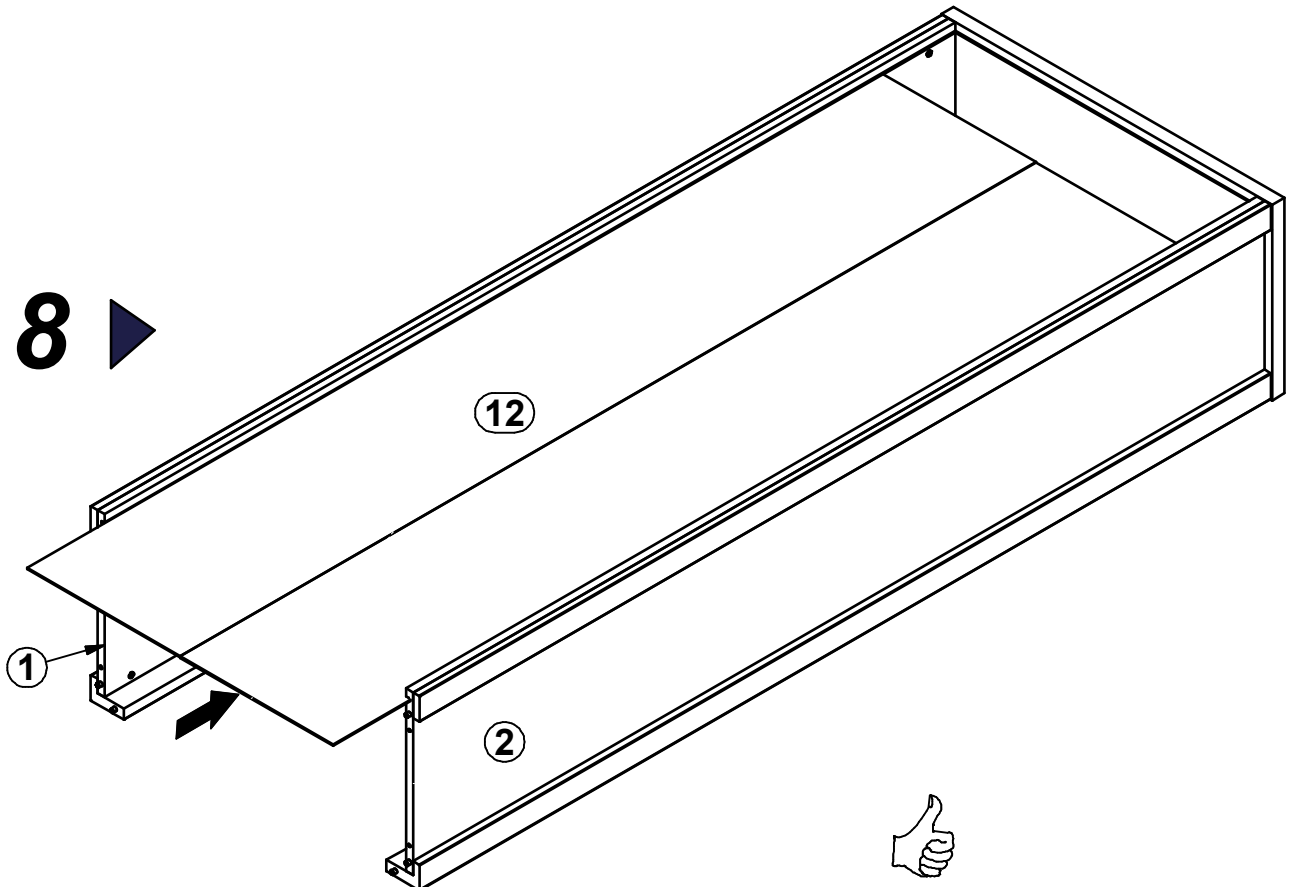




7 ▶

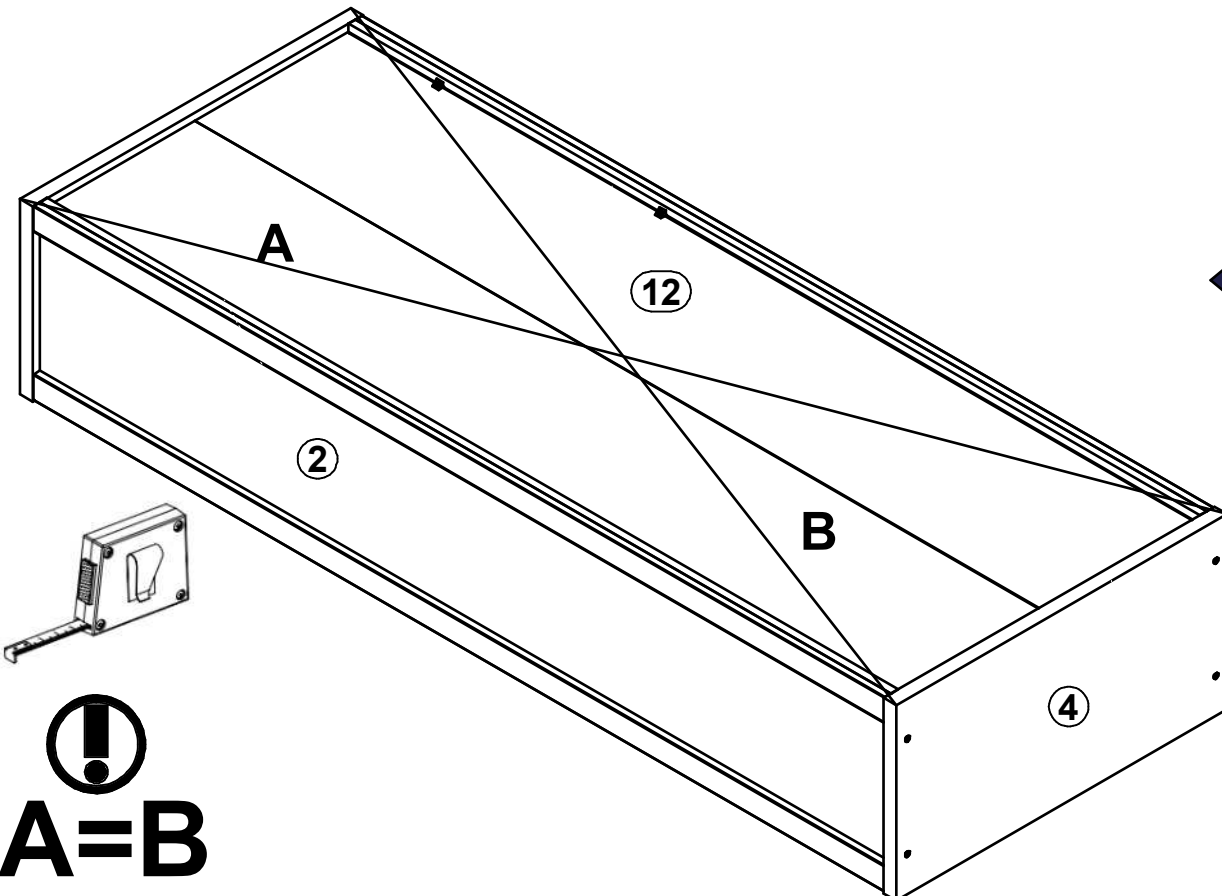
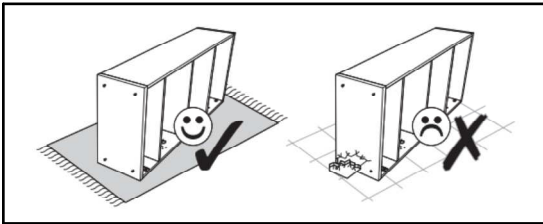
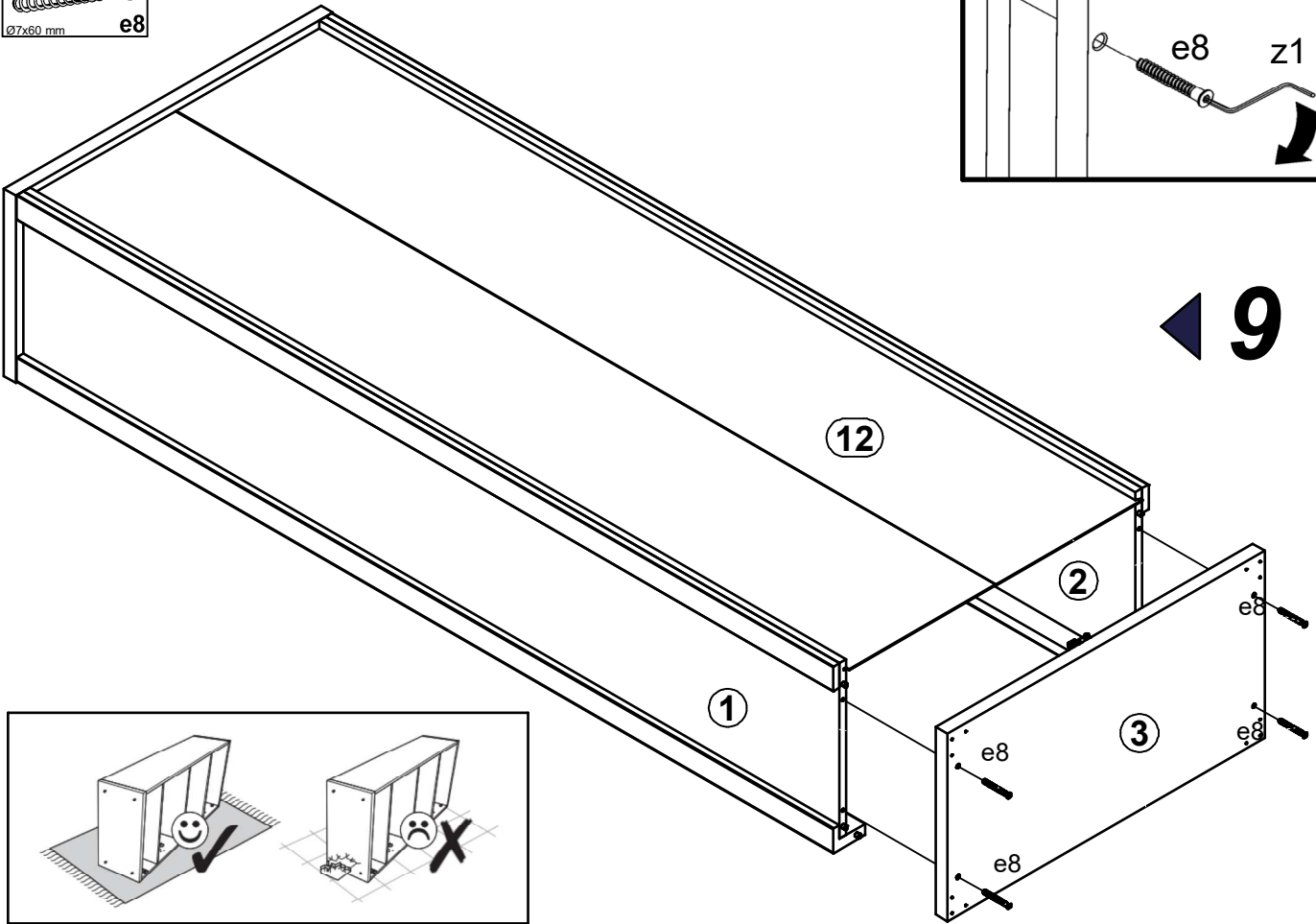
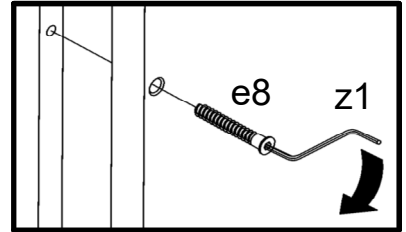
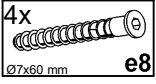


8 ▶

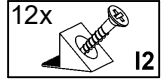
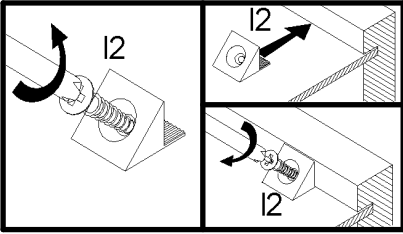


**A****M276-REG1D****24270094/05**

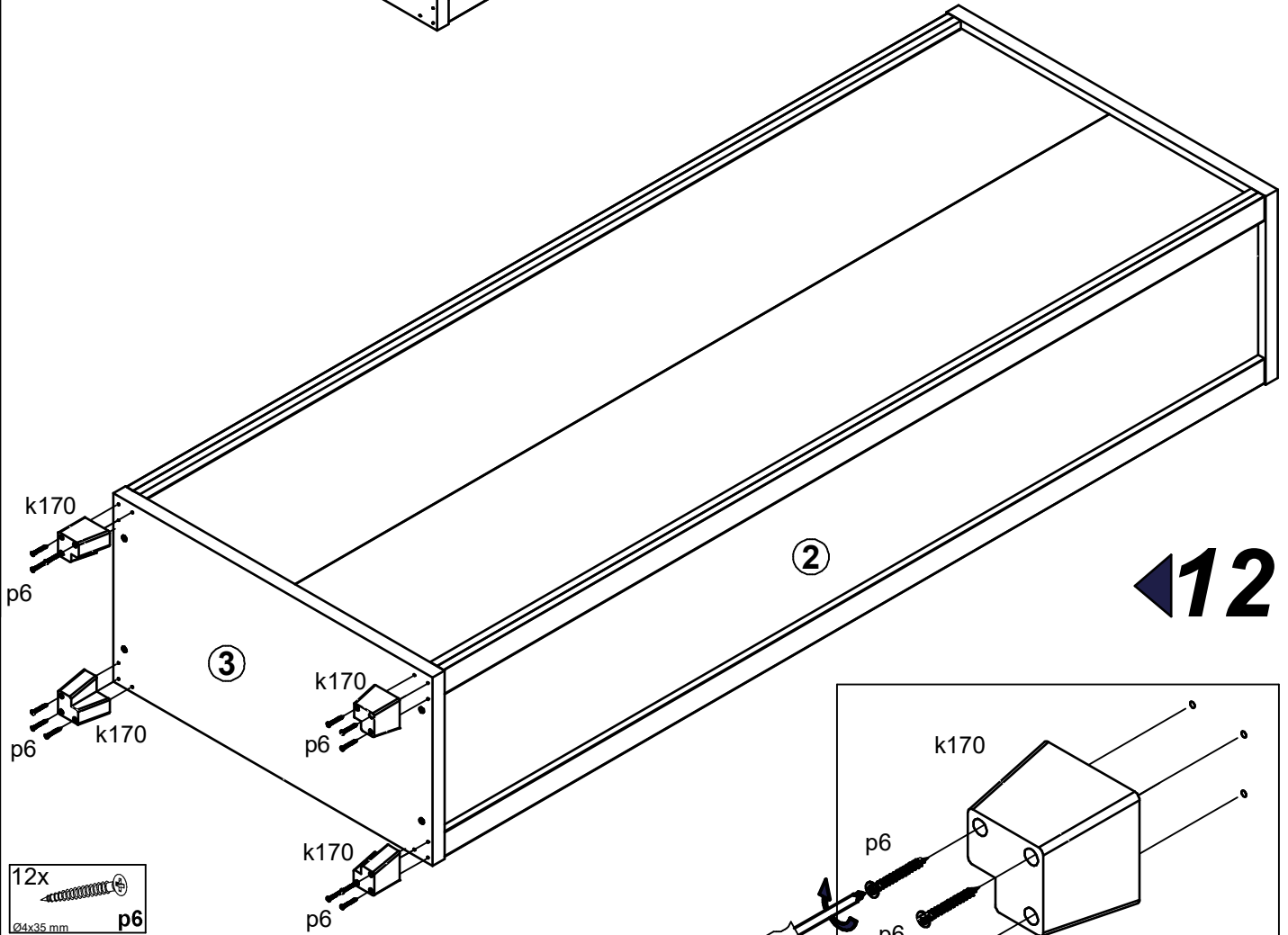
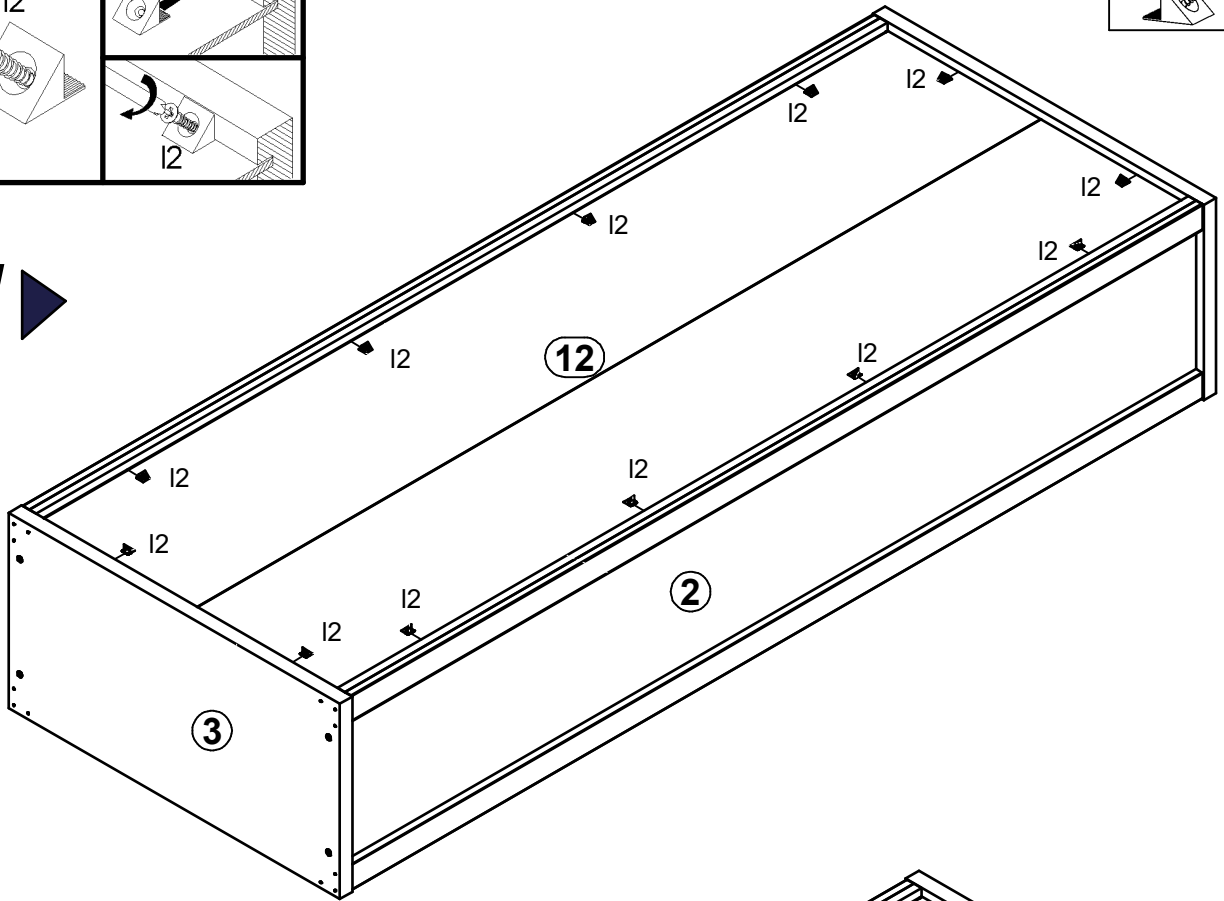
10 / 14



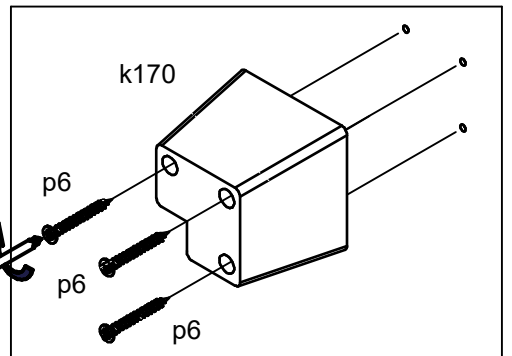
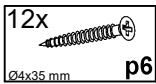
**!**  
**A=B**

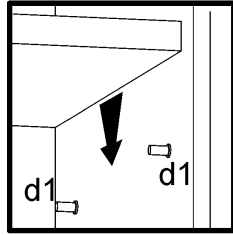
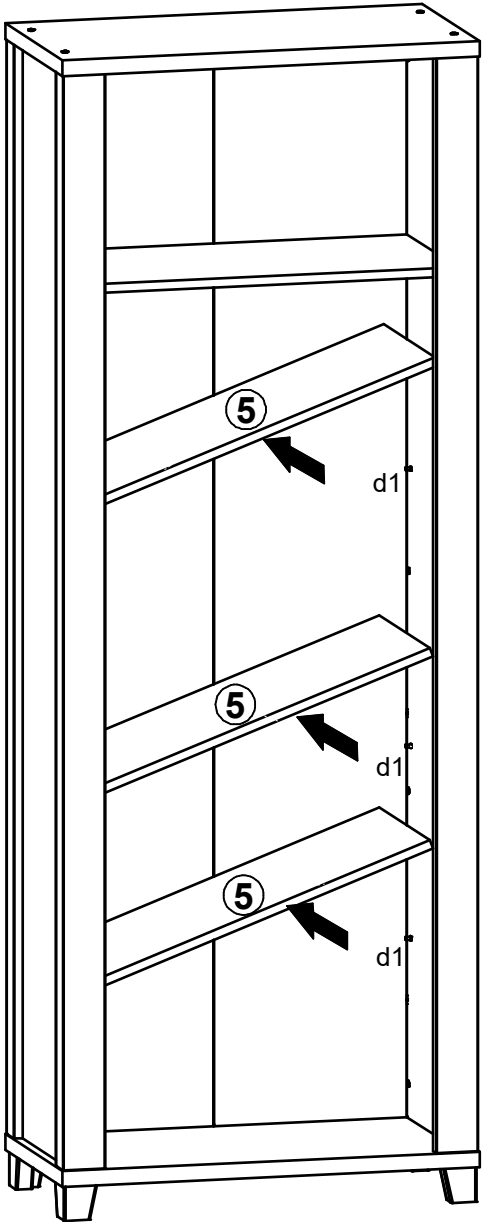


11 ▶

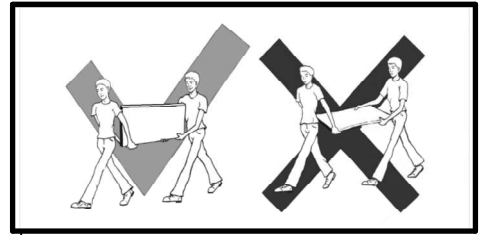


▶ 12

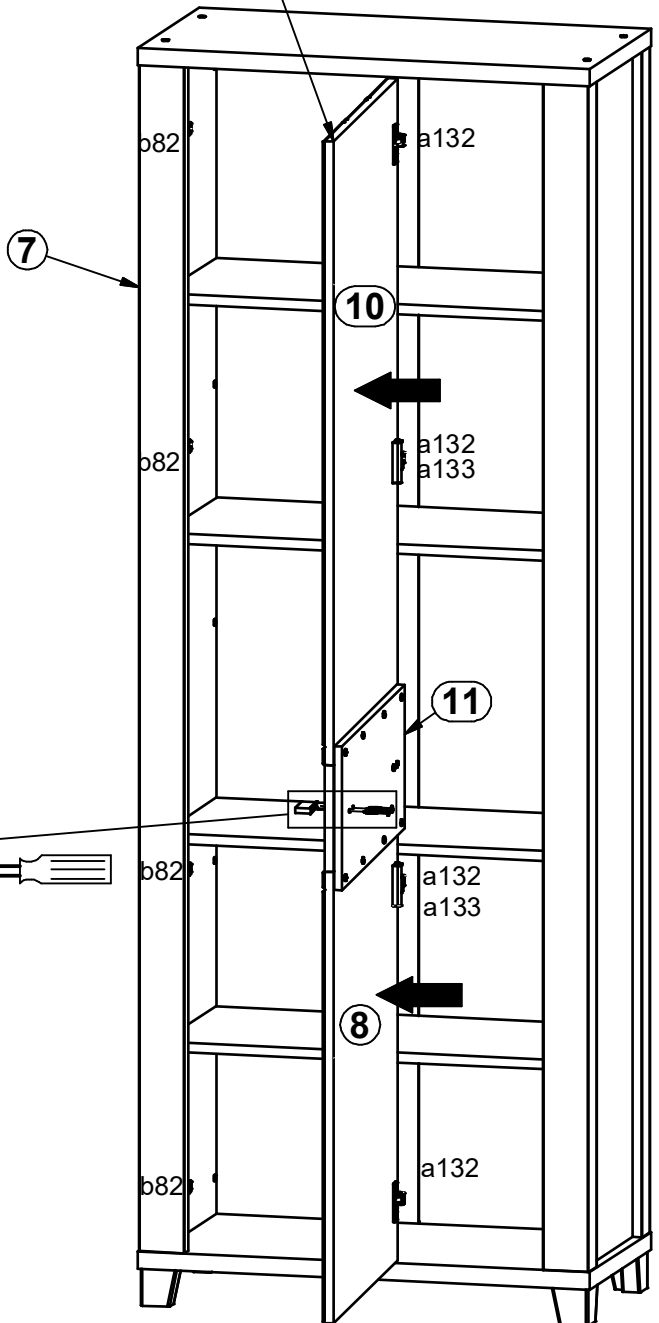
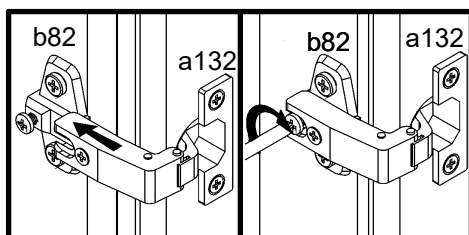
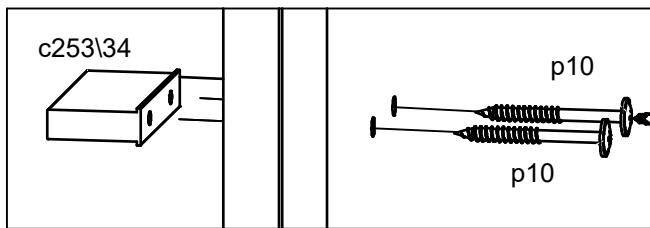




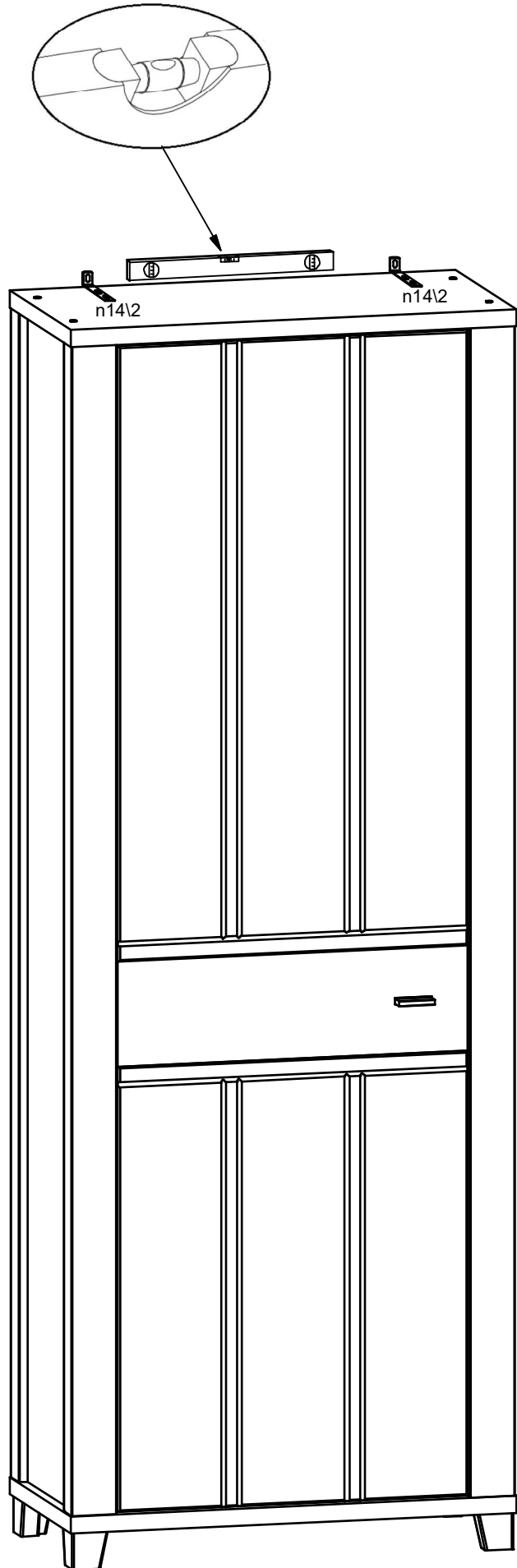
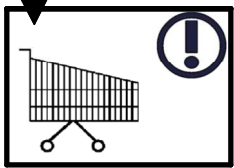
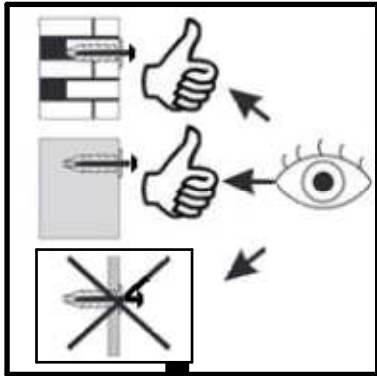
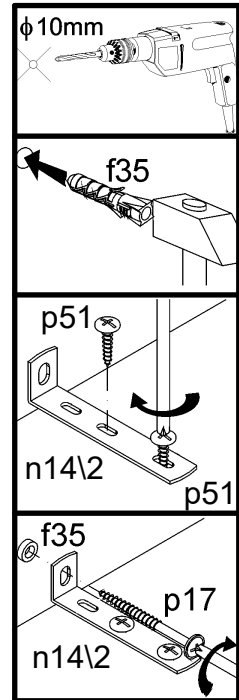
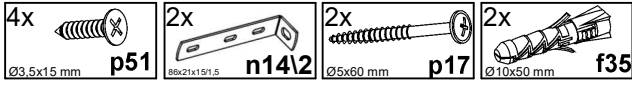
13

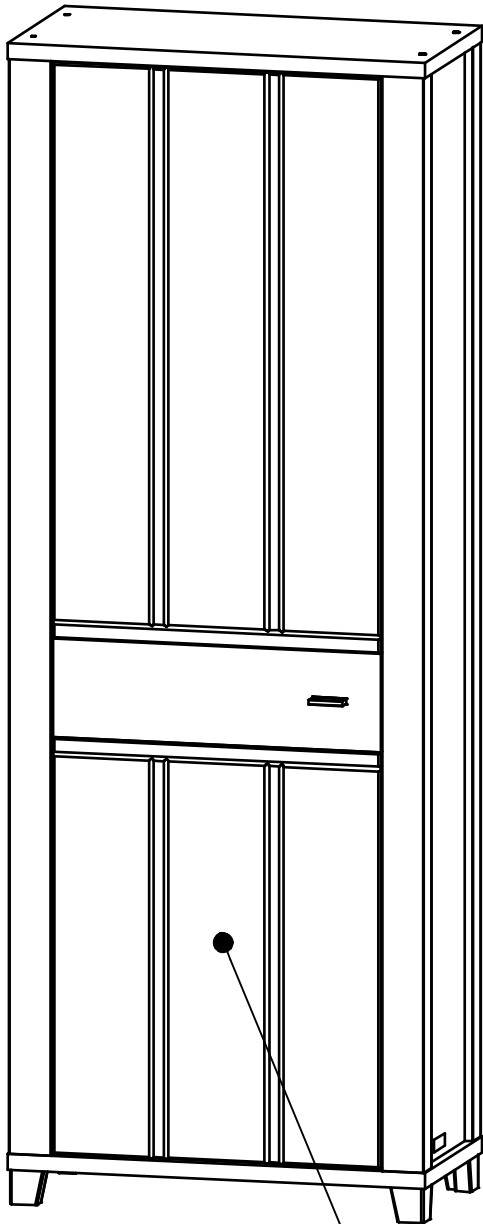


14



- 1x L-60mm c253\34
- 2x Ø4x40 mm p10





16

