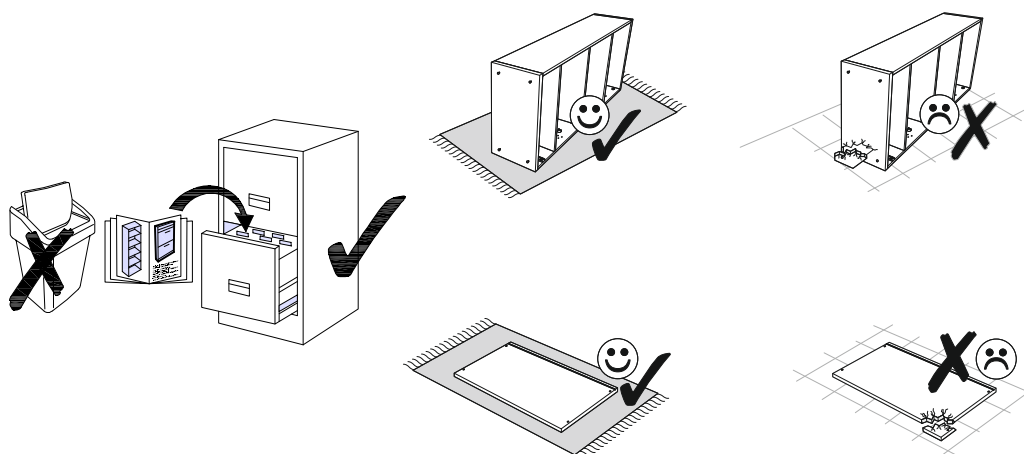
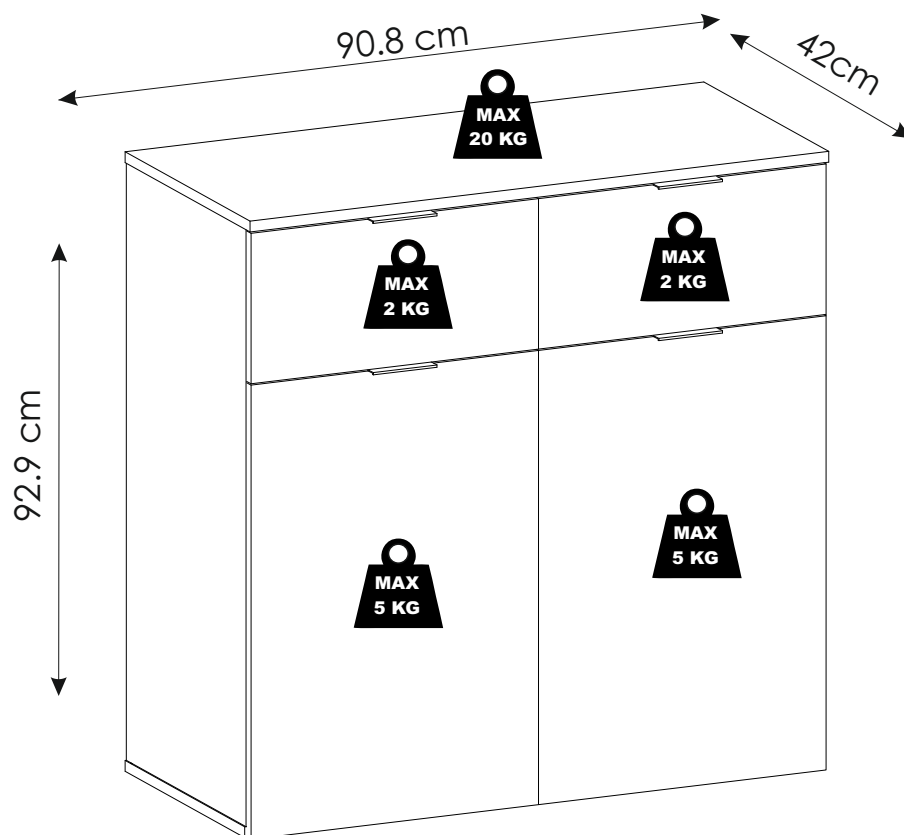
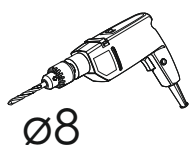
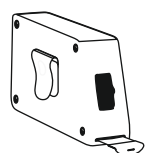
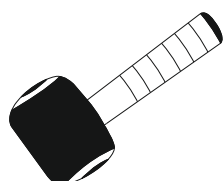
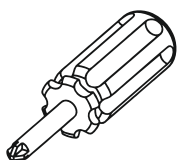
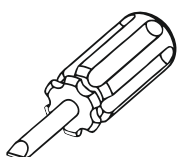
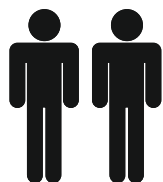
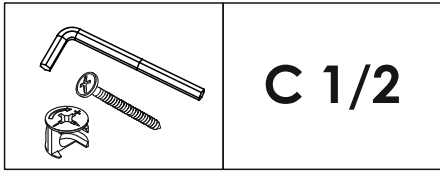
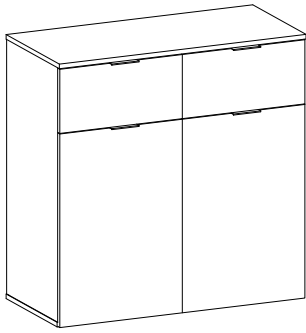




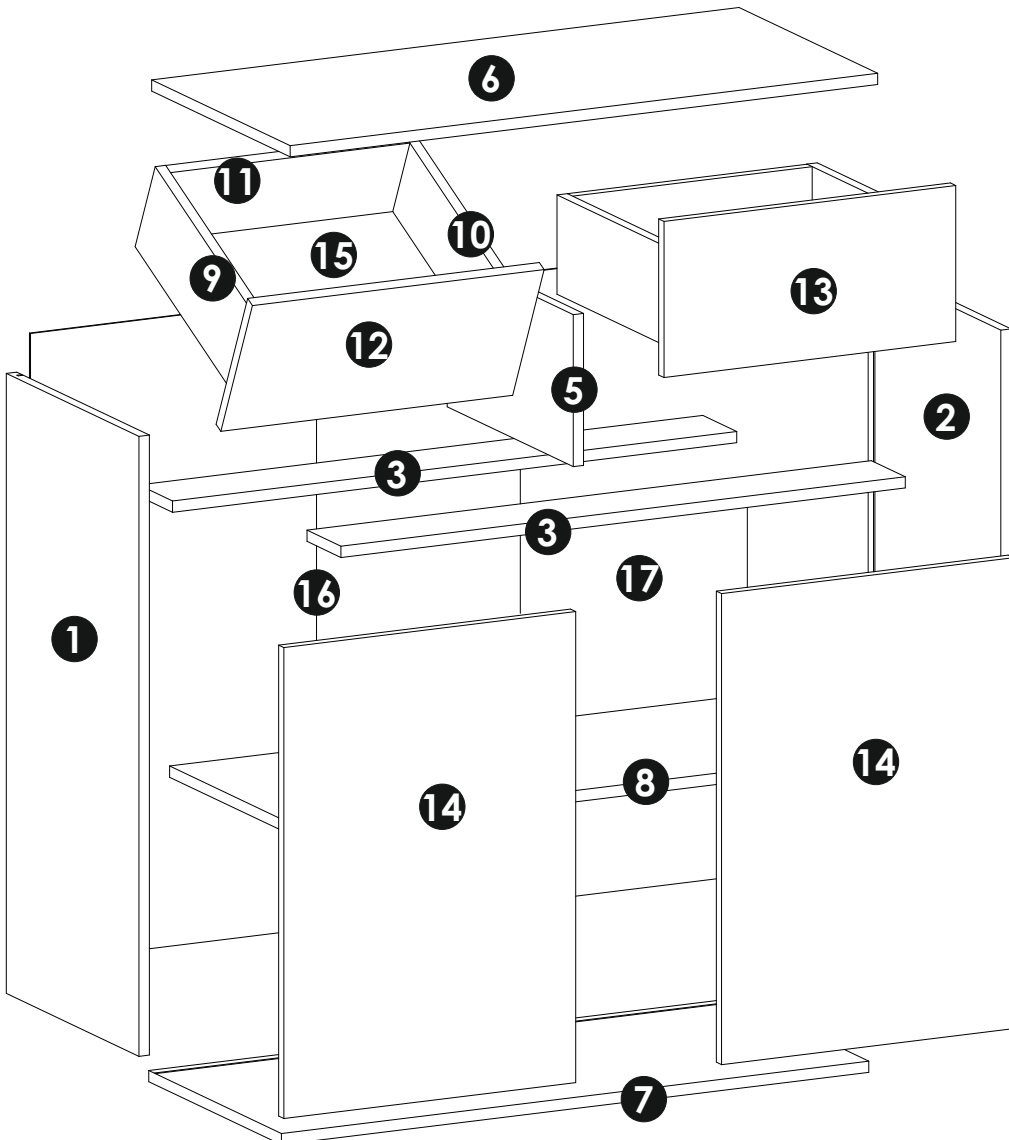
# Modell: KERA



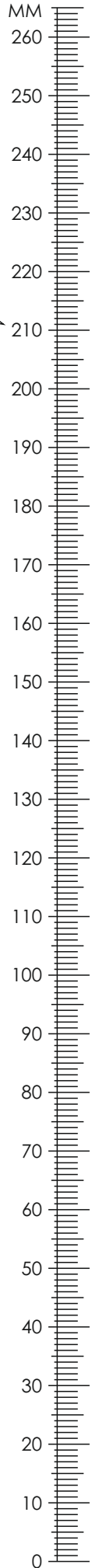
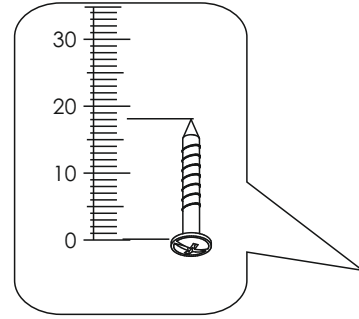
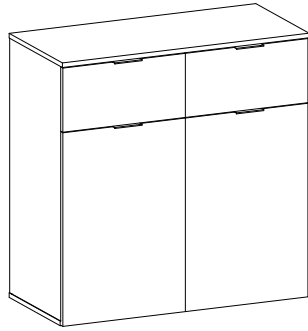


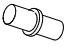
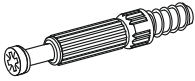



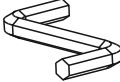
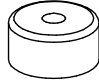





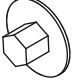
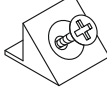
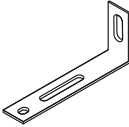




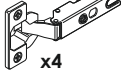
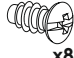
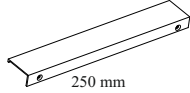
1	882	402	16	x1	1/2
2	882	402	16	x1	1/2
3	874	102	16	x2	2/2
5	216	382	16	x1	2/2
6	908	420	16	x1	2/2
7	908	402	16	x1	2/2
8	874	378	16	x1	1/2
9	350	140	16	x2	2/2
10	350	140	16	x2	2/2
11	371	140	16	x2	2/2
12	450	220	16	x1	1/2

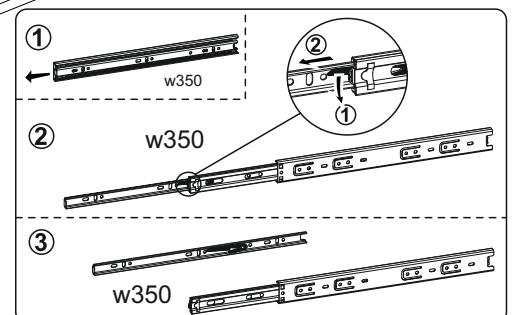
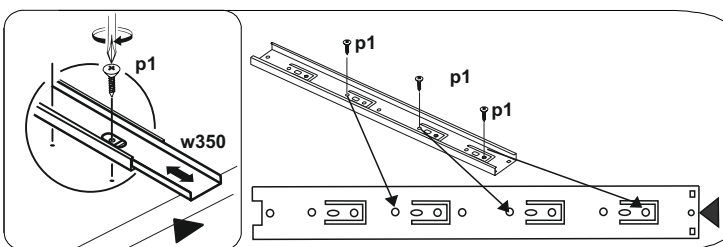
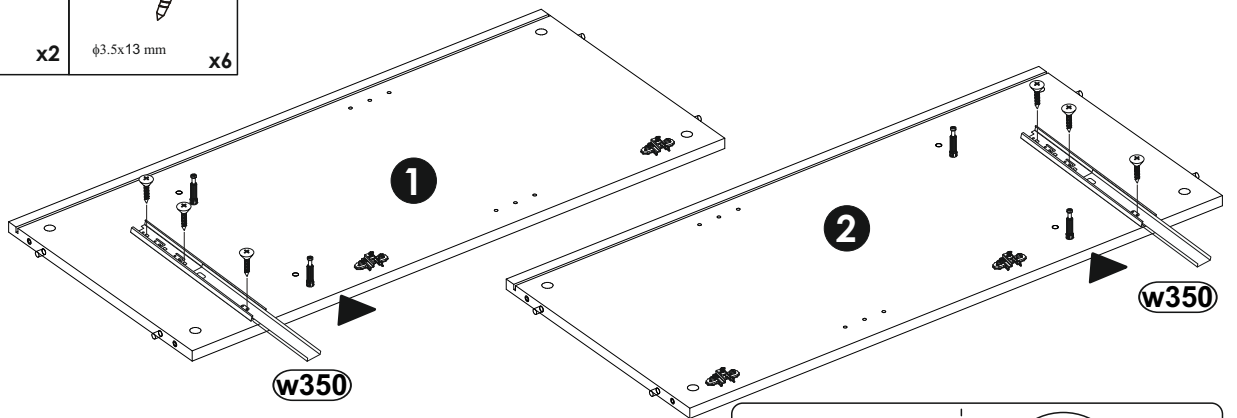
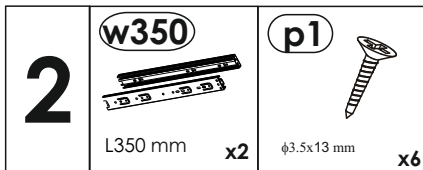
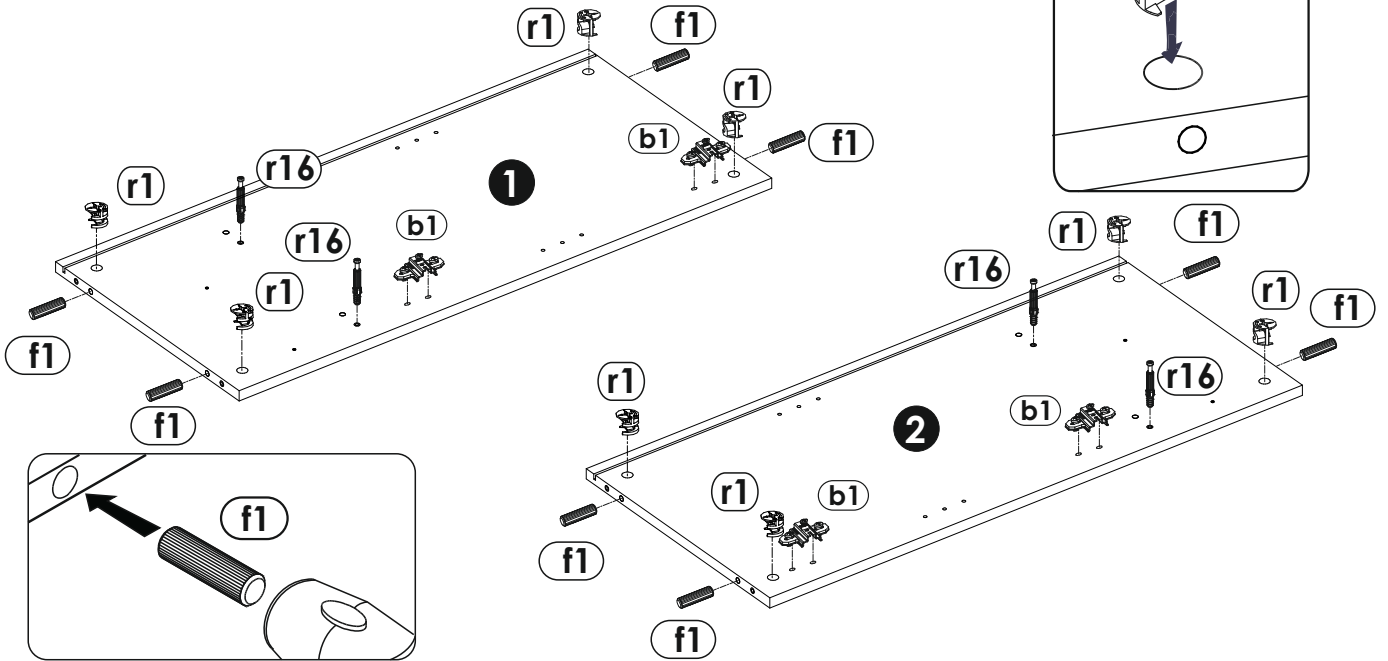
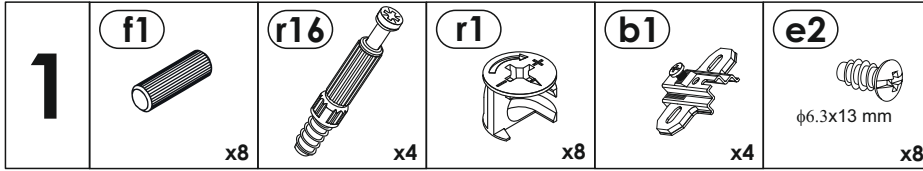
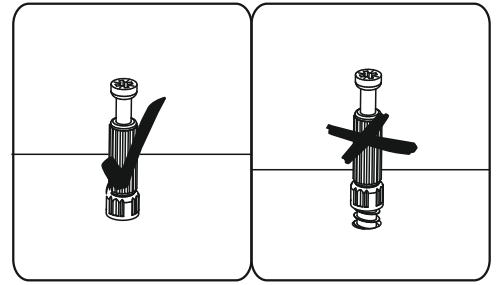
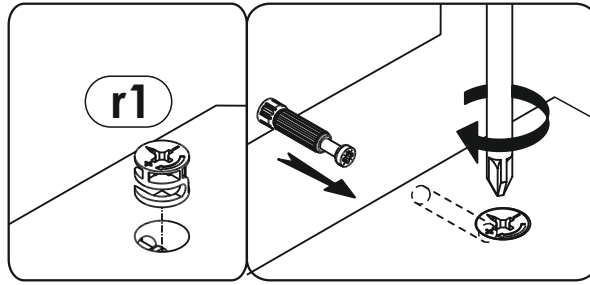
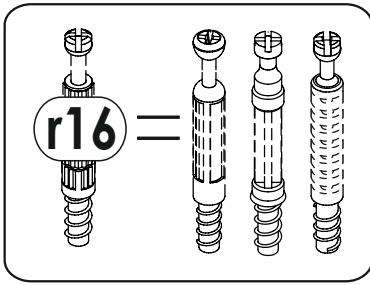
13	450	220	16	x1	1/2
14	668	198	16	x2	1/2
15	381	344	3	x2	1/2
16	896	886	3	x1	1/2

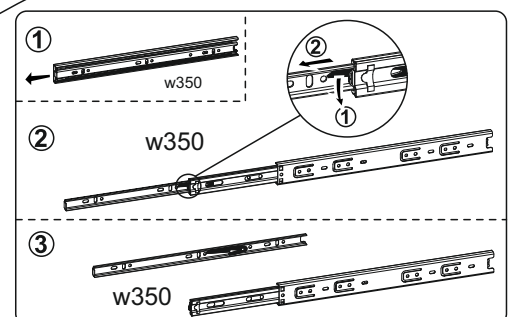
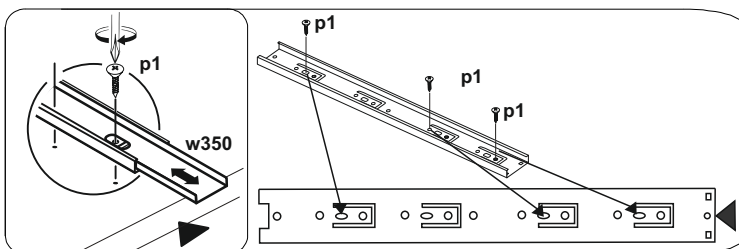
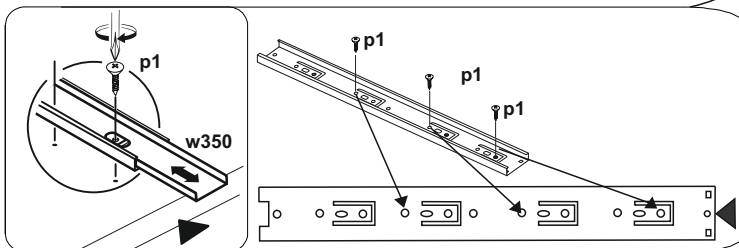
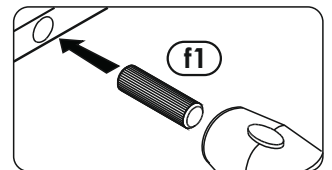
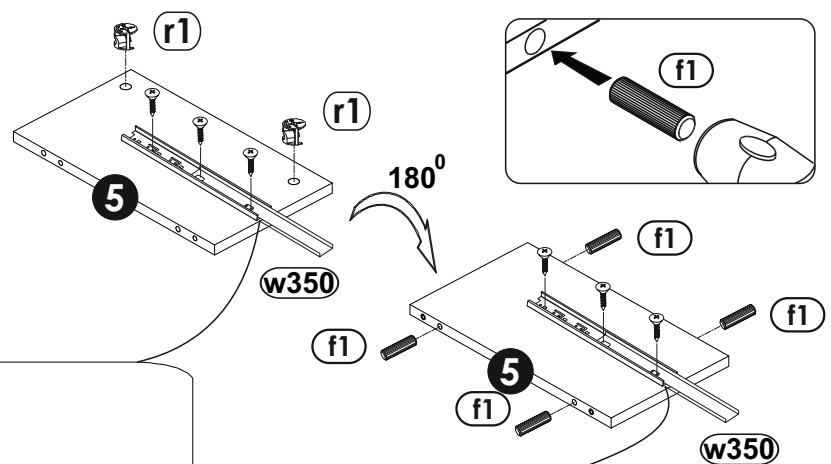
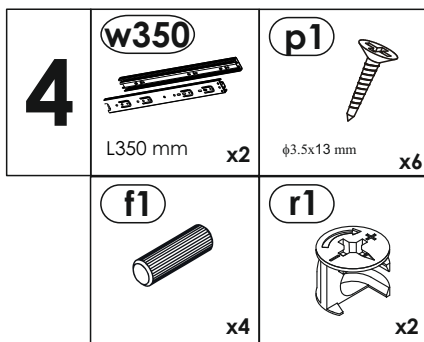
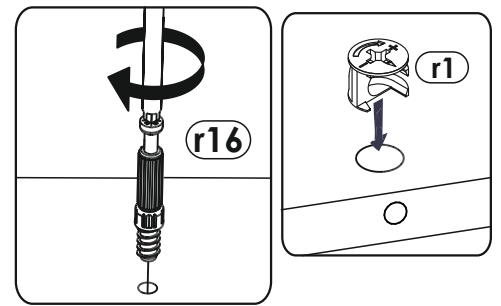
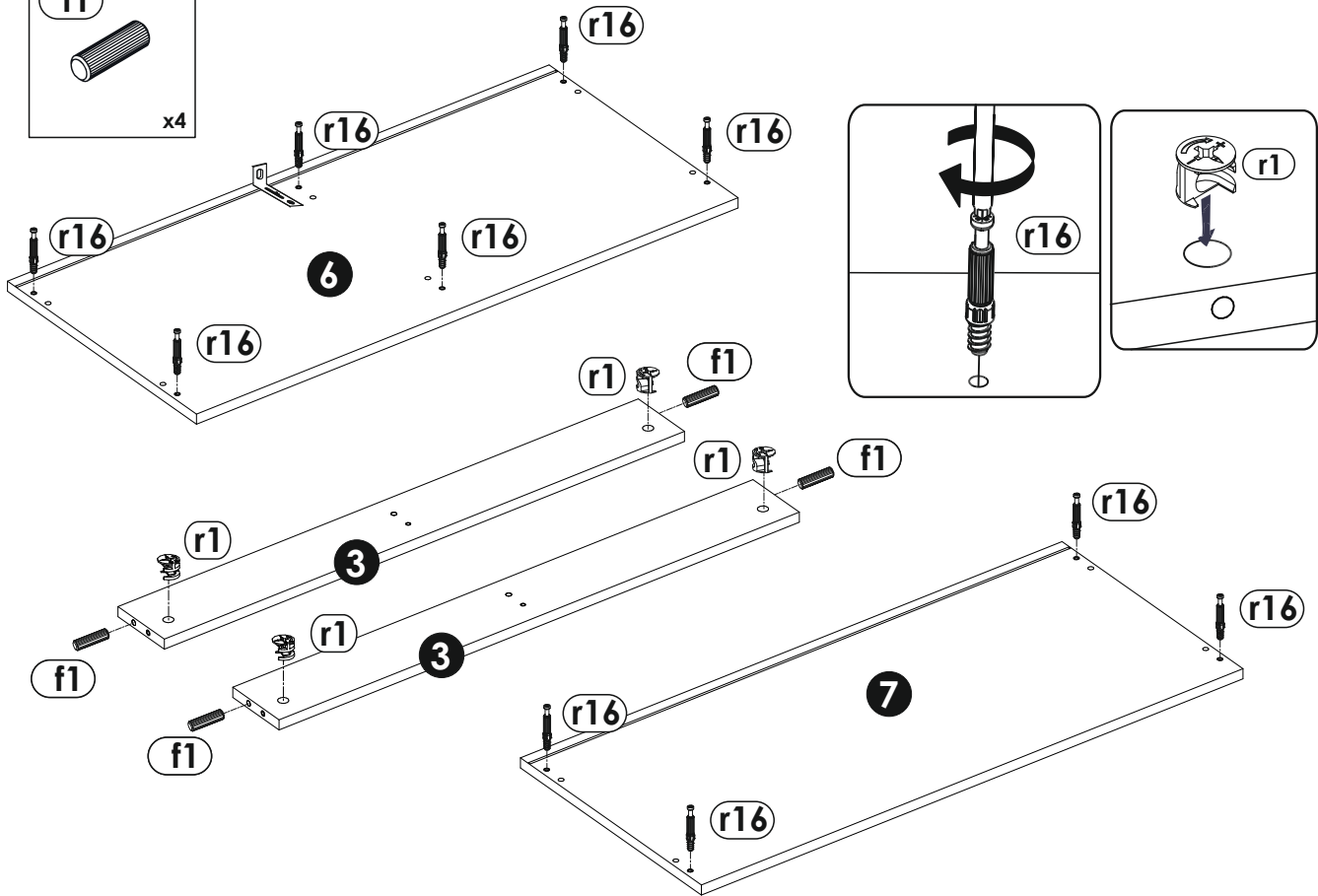
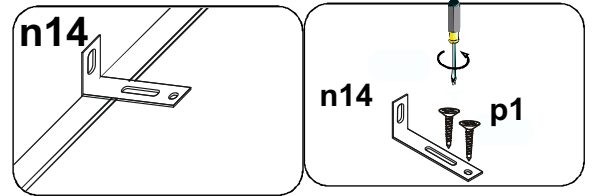
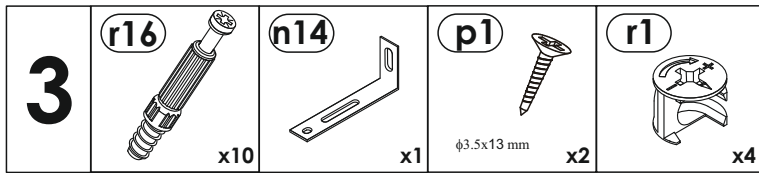


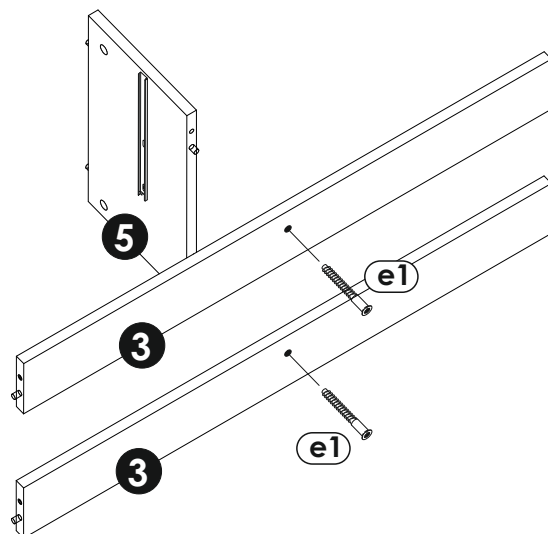
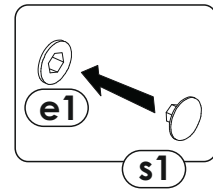
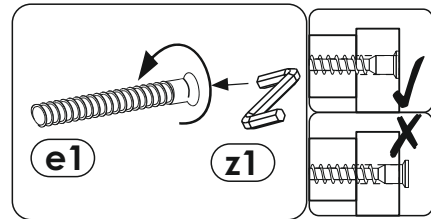
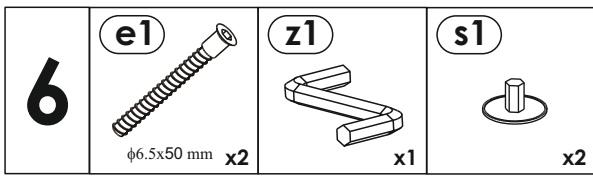
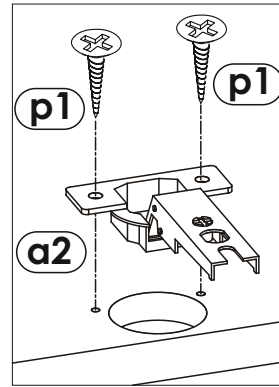
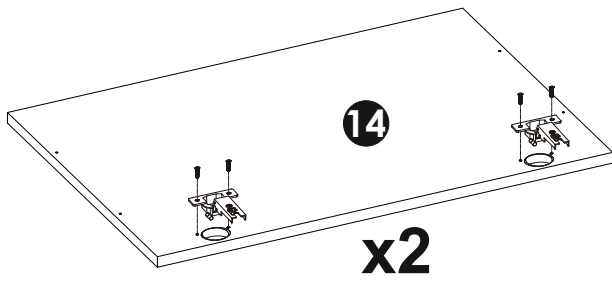
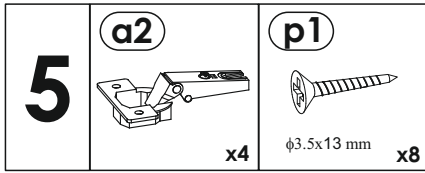
# KERA



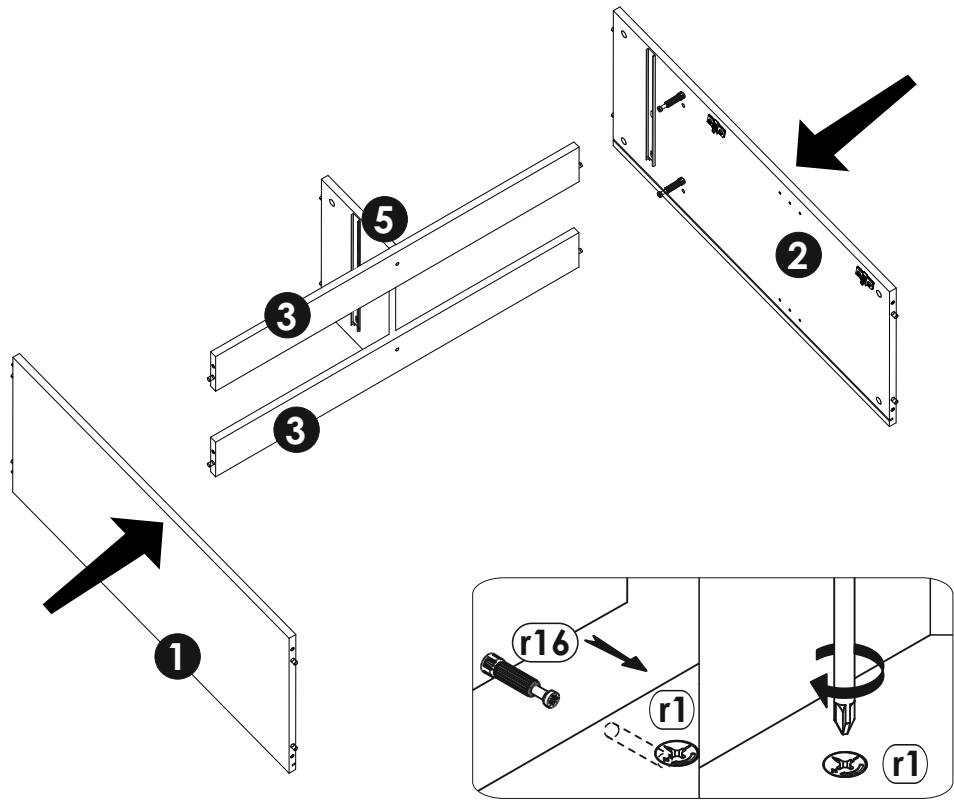
<b>A</b>	<b>d1</b>  $\phi 5 \times 17$ mm x4	<b>r16</b>  6 x 34 mm x18	<b>r1</b>  15 x 12 mm x18
	<b>f1</b>  8 x 32 mm x32		
<b>B</b>	<b>p70</b>  4 X 20 mm x4	<b>z1</b>  x1	<b>k33</b>  x4
	<b>e1</b>  6.3 x 50 mm x6	<b>p5</b>  4.2 x 13 mm x8	
<b>C</b>	<b>p1</b>  3.5 X 13 mm x34	<b>s2/a</b>  x4	<b>s1</b>  x6
	<b>s2/b</b>  x8	<b>l2</b>  x18	
<b>D</b>	<b>n14</b>  x1	<b>f17</b>  $\phi 8 \times 50$ mm x1	<b>o21</b>  x8
	<b>w350</b>  L350 mm x2	<b>b1 + a2 + e2</b>  x4  x4  x8	<b>c32</b>  250 mm x4



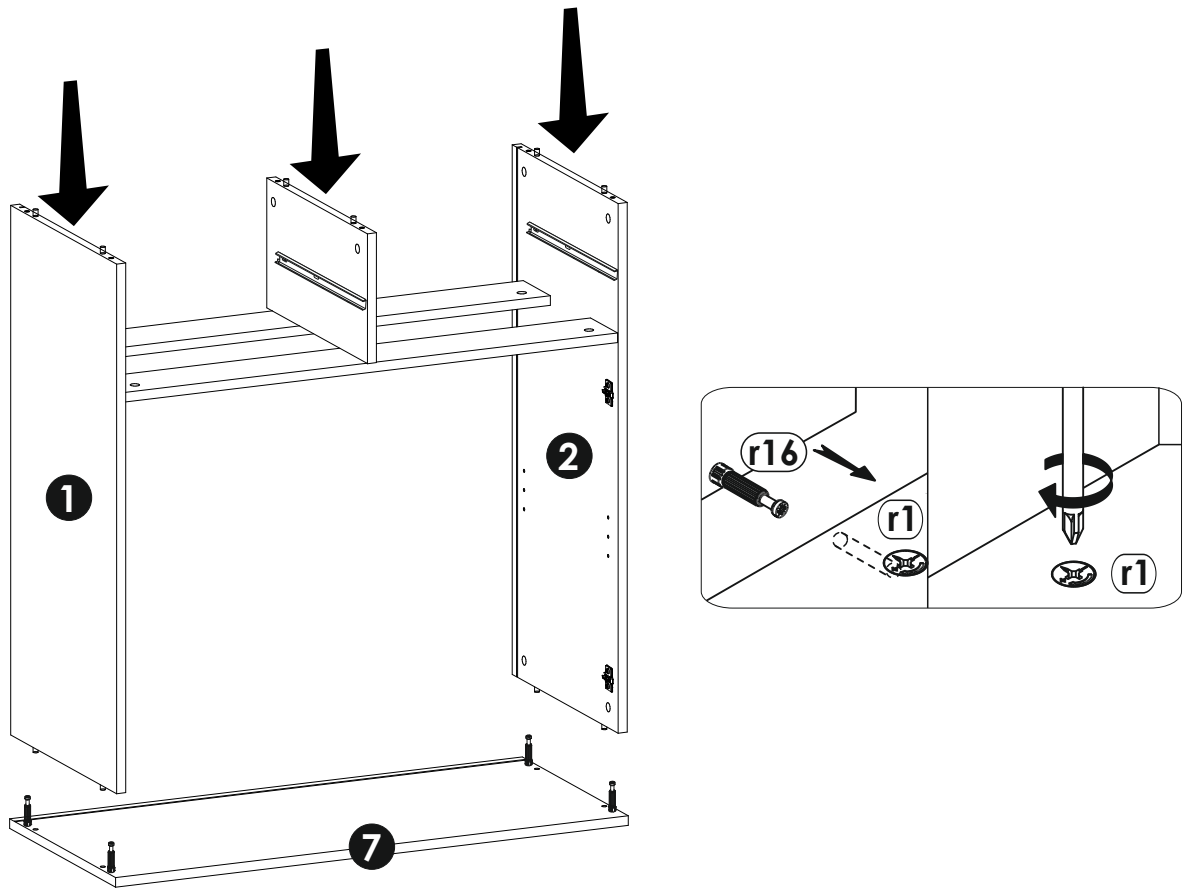




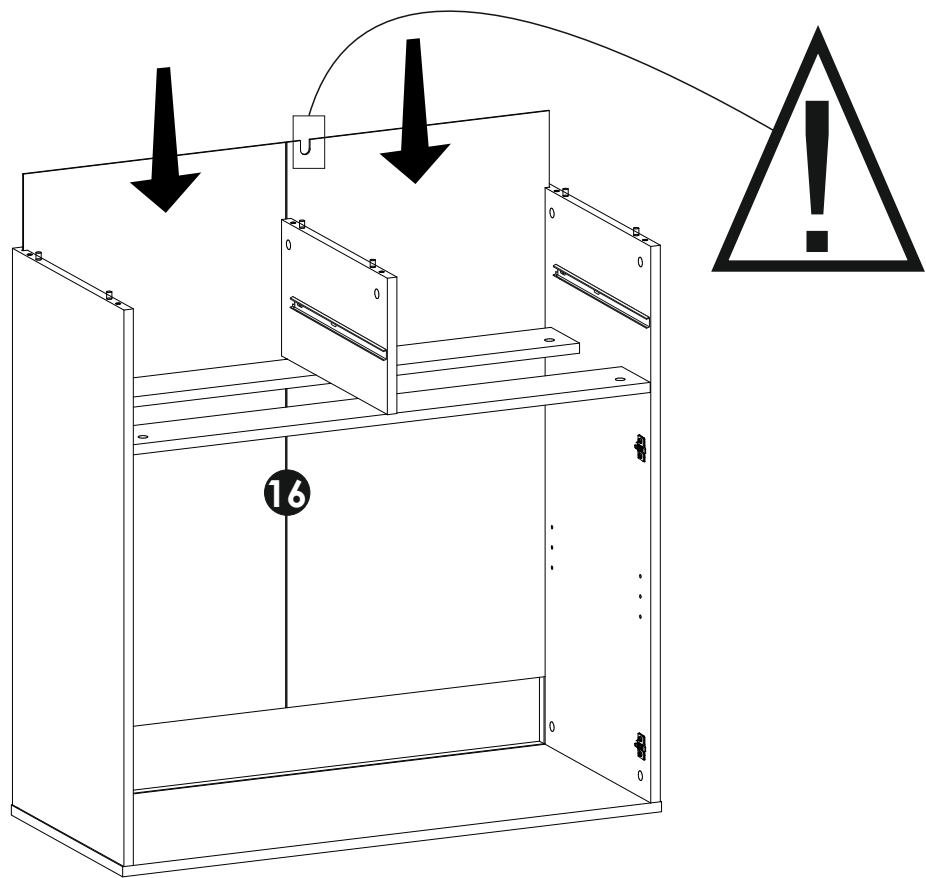
7



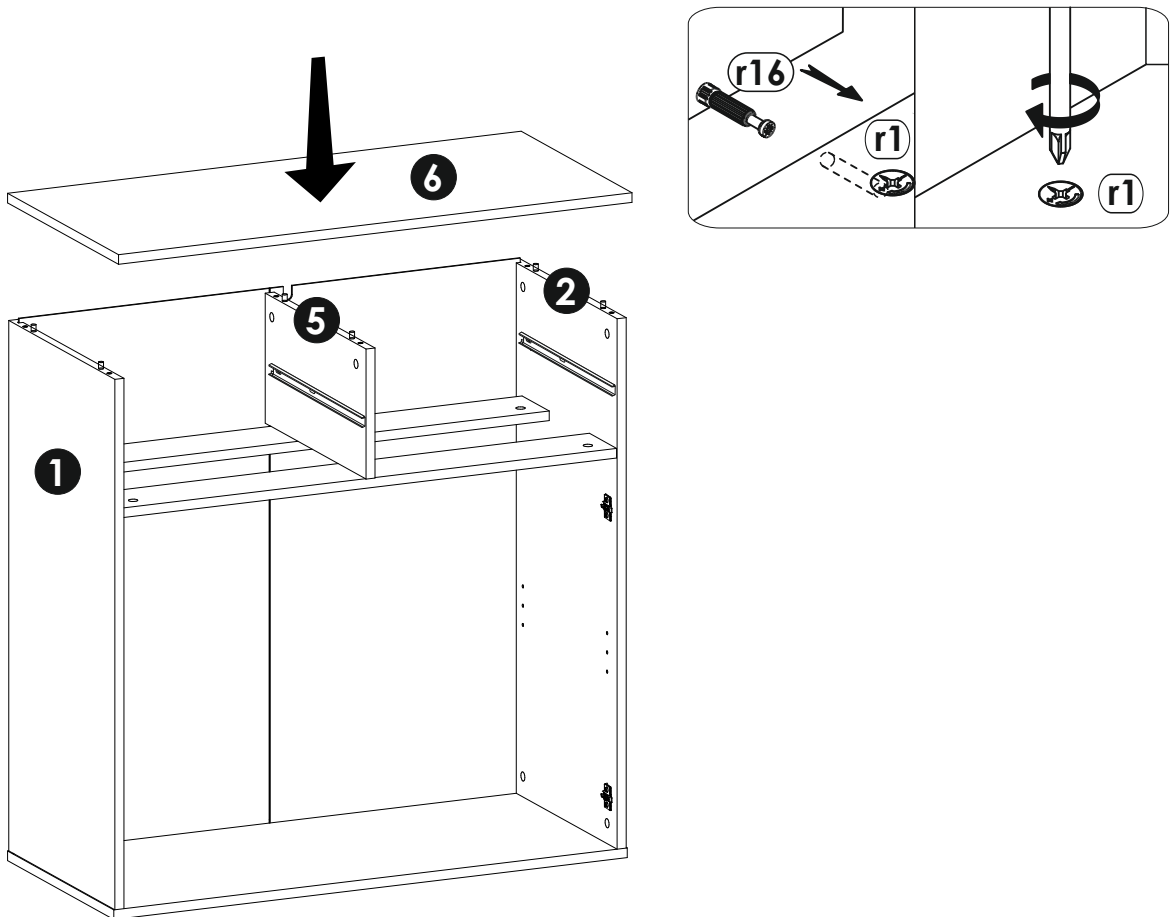
8



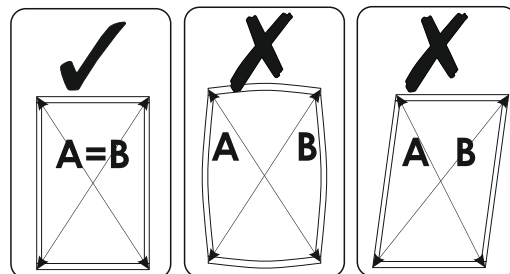
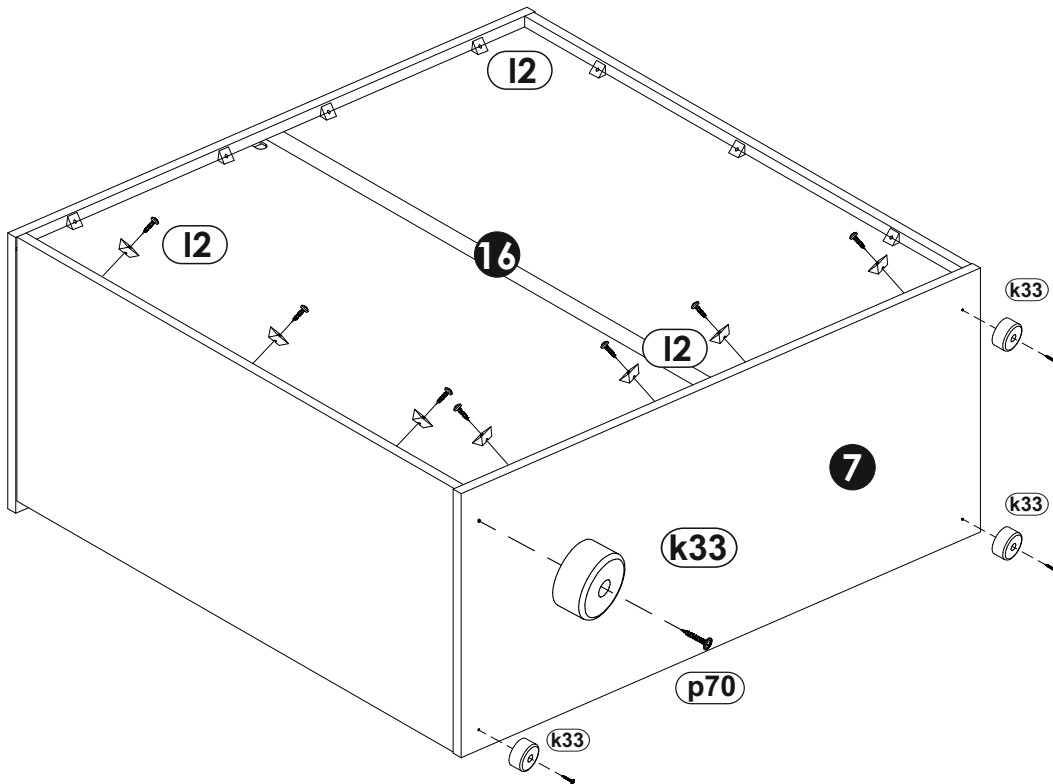
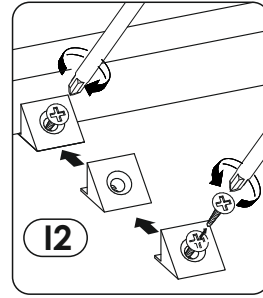
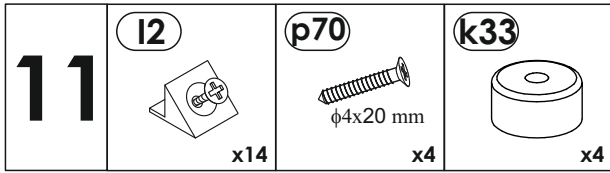
9

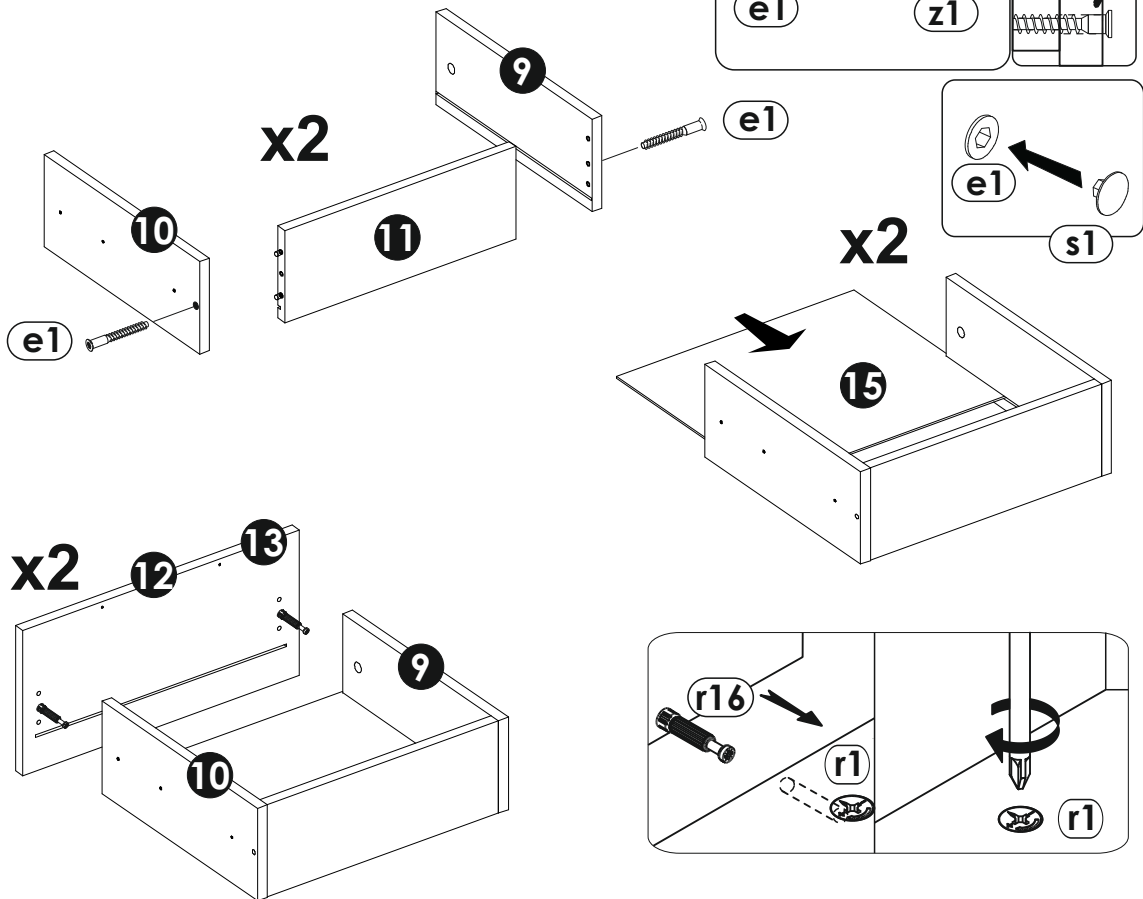
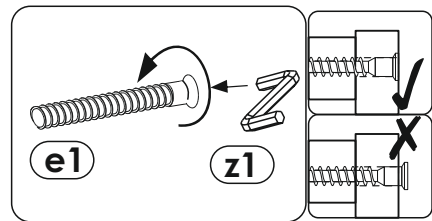
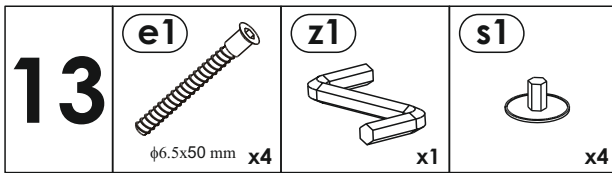
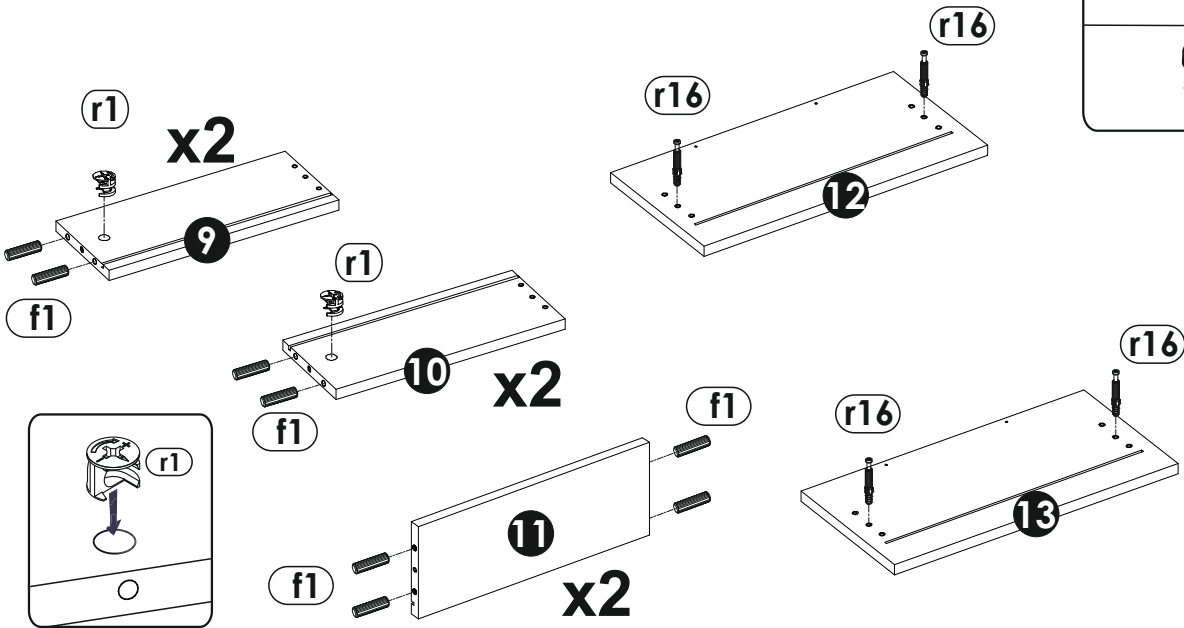
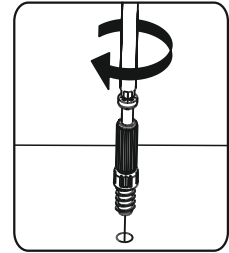
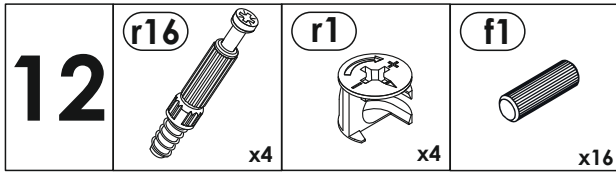


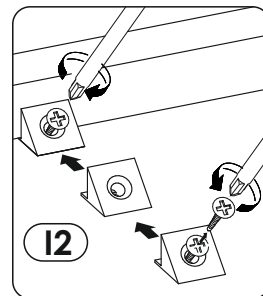
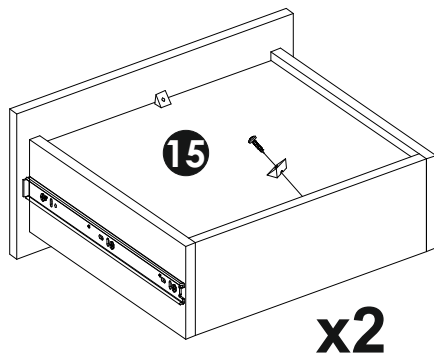
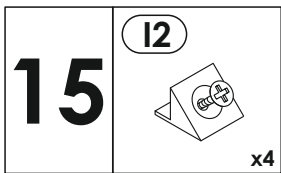
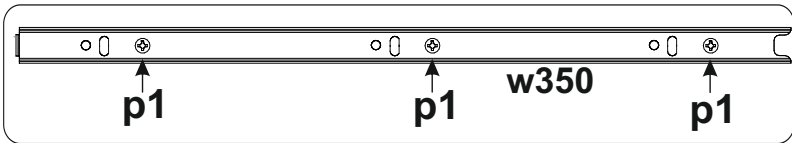
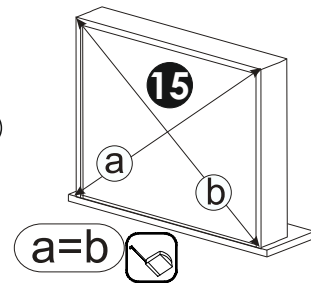
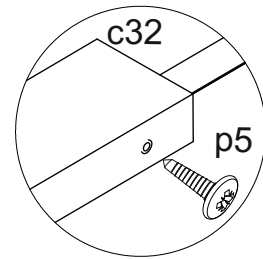
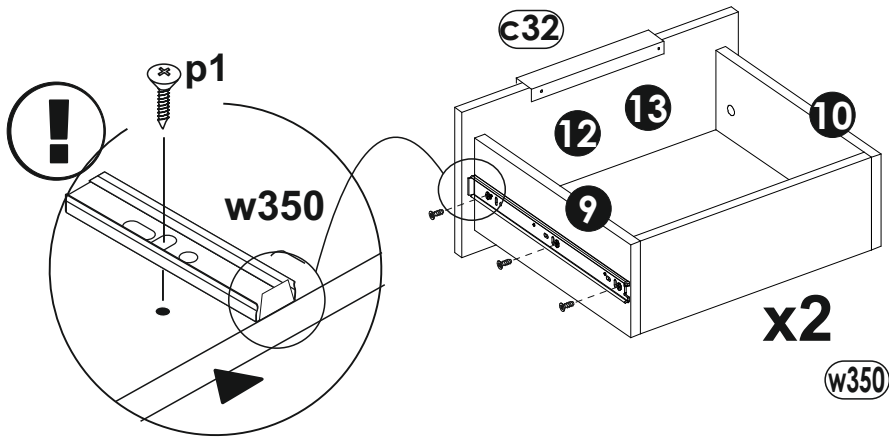
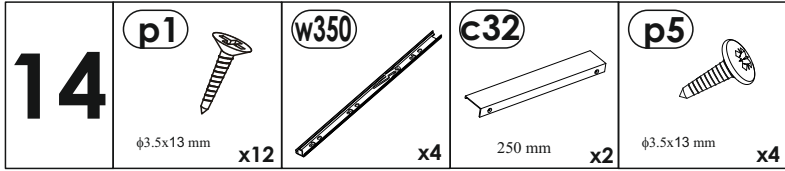
10

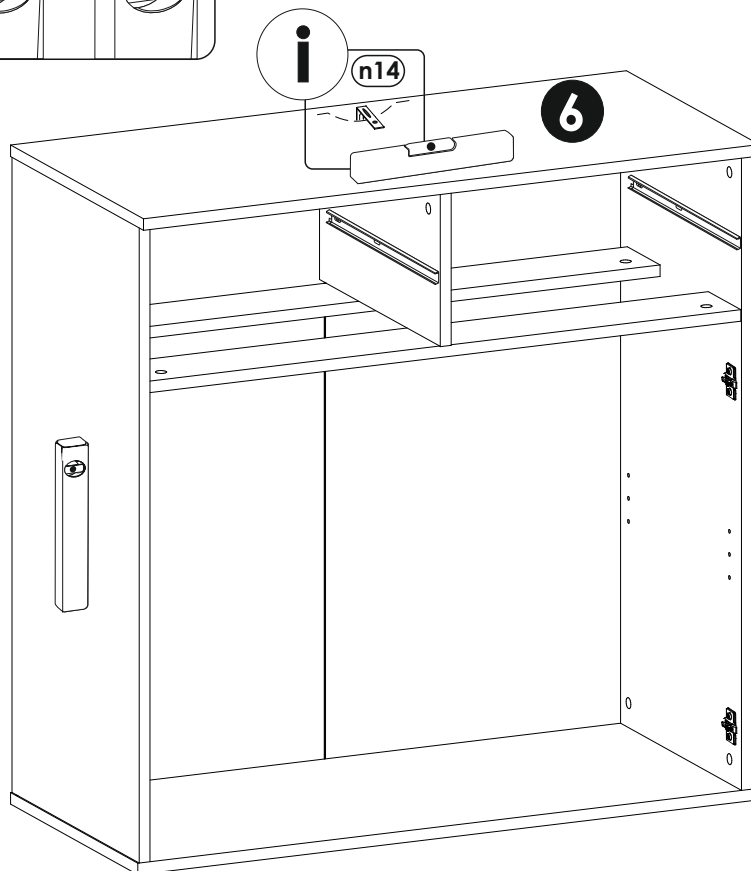
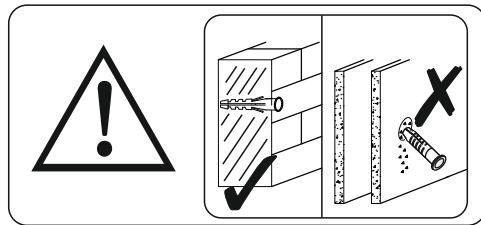
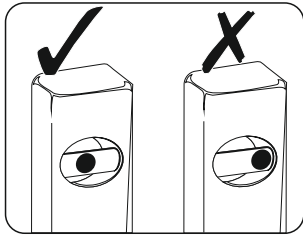
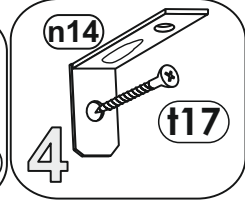
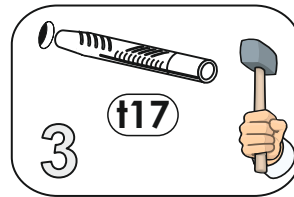
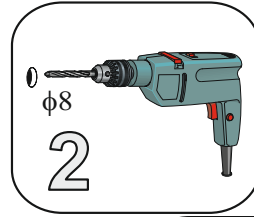
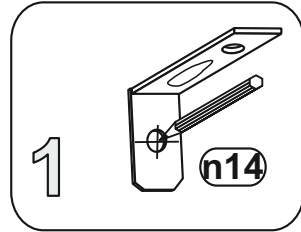
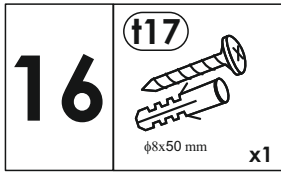


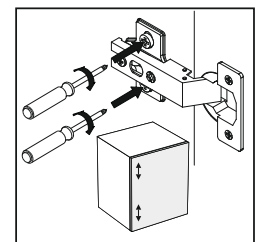
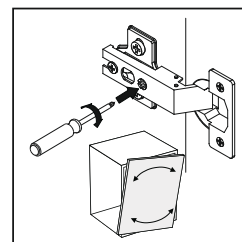
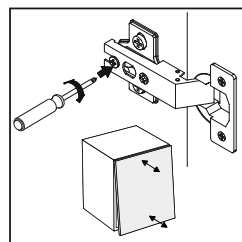
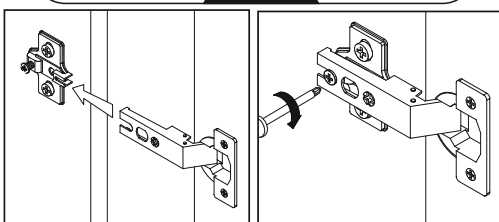
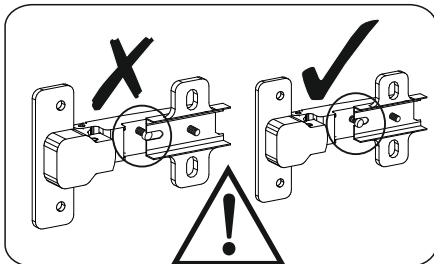
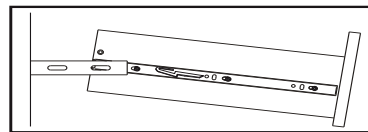
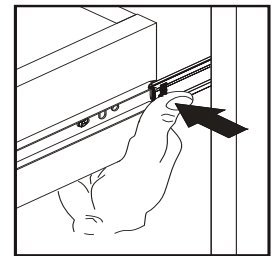
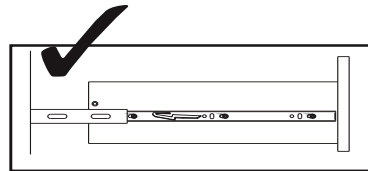
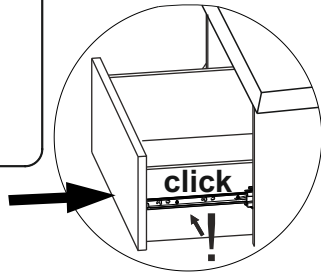
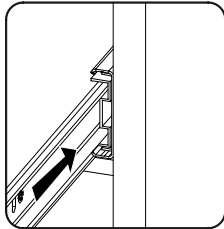
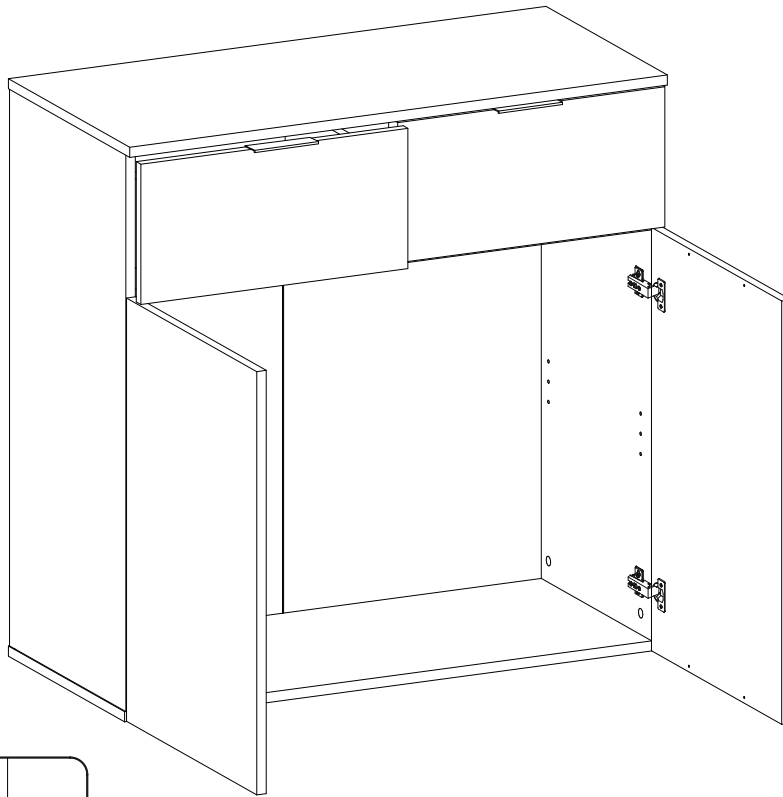
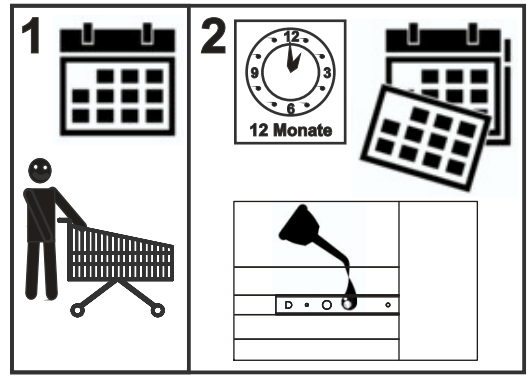

















<b>18</b>	<b>o21</b>	<b>s2/a</b>	<b>s2/b</b>	<b>c32</b>	<b>p5</b>
					
	x8	x4	x8	250 mm x2	φ3.5x13 mm x4

