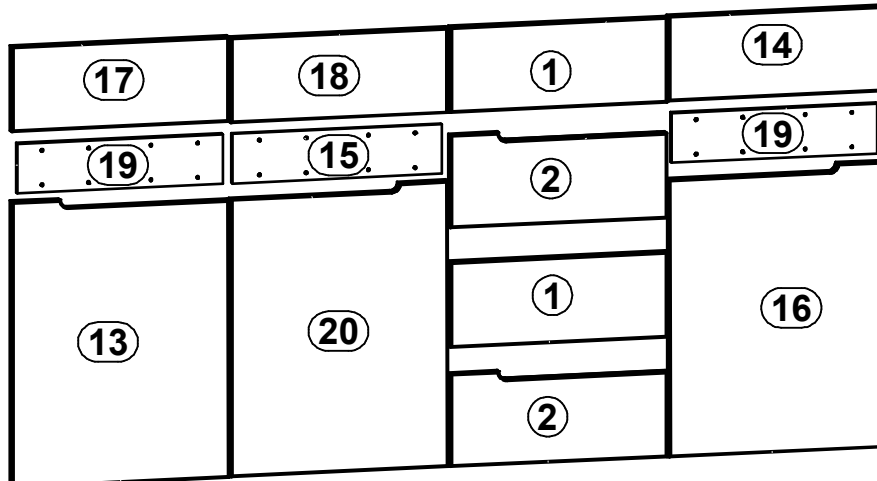
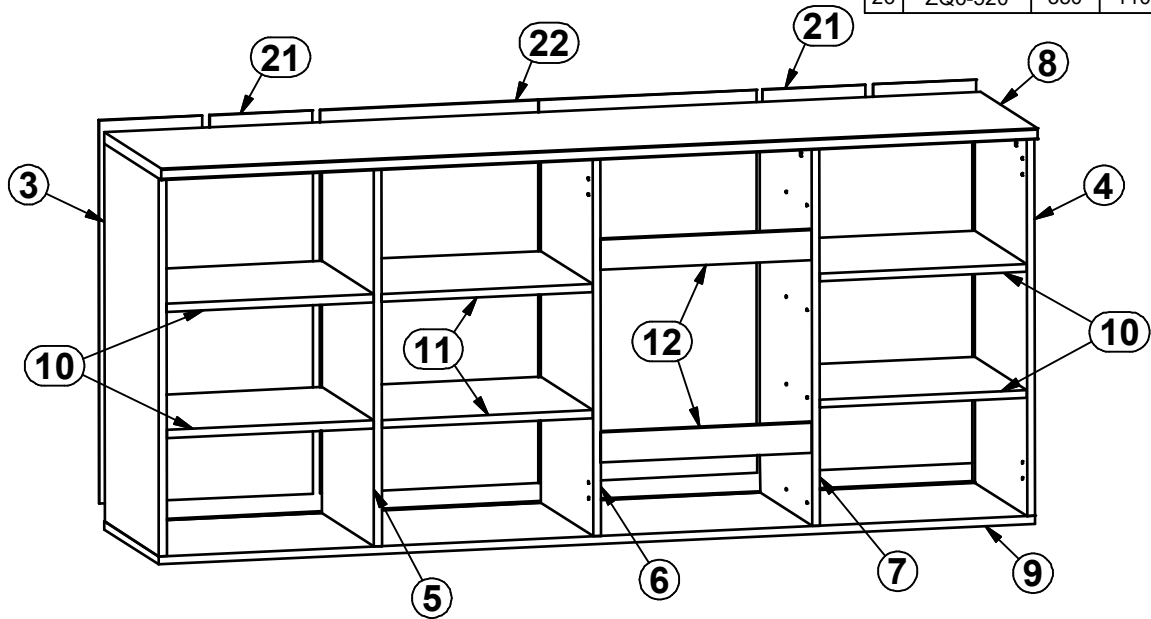
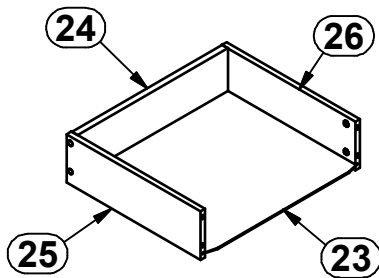
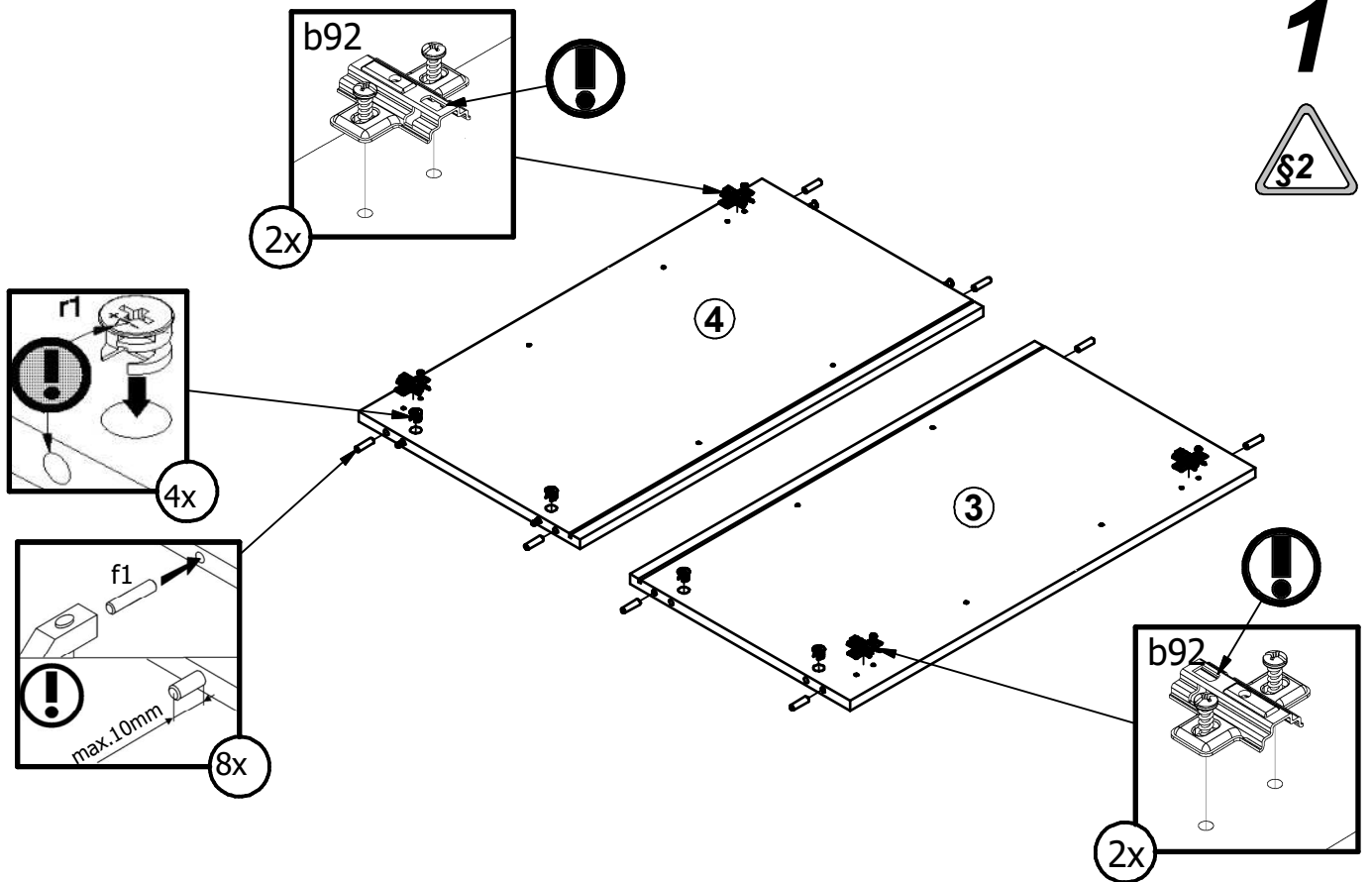


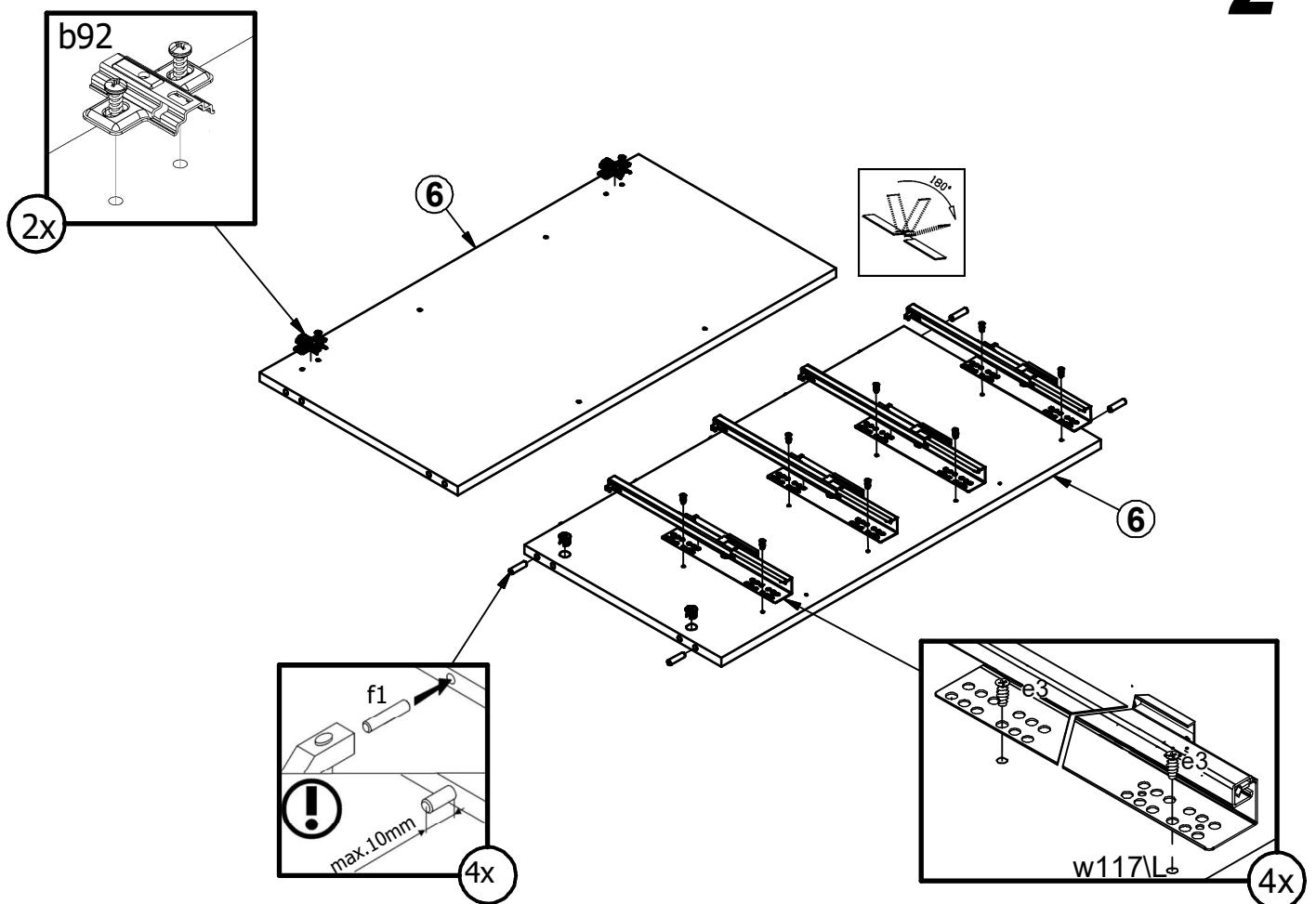
A	B	C1	C2	C3	D
1	S545-0020	446	172	18	3/3
2	S545-0021	446	188	18	3/3
3	S545-1004	762	418	16	1/3
4	S545-1006	762	418	16	1/3
5	S545-1027	762	398	16	1/3
6	S545-1028	762	398	16	1/3
7	S545-1029	762	398	16	1/3
8	S545-2013	1801	440	22	2/3
9	S545-2014	1801	418	16	2/3
10	S545-3014	425	398	16	2/3
11	S545-3015	433	398	16	2/3
12	S545-4009	434	60	16	3/3
13	S545-7003	446	576	18	3/3
14	S545-7013	446	172	18	3/3
15	S545-7014	430	100	12	3/3
16	S545-7029	446	576	18	3/3
17	S545-7030	446	172	18	3/3
18	S545-7031	446	172	18	3/3
19	S545-7032	422	100	12	3/3
20	S545-7033	446	576	18	3/3
21	S545-9008	772	439	2.5	1/3
22	S545-9306	772	897	2.5	1/3
23	WSP-9002	404	358	2.5	3/3
24	ZQ6-5076	394	97	15	3/3
25	ZQ6-519	350	110	12	3/3
26	ZQ6-520	350	110	12	3/3



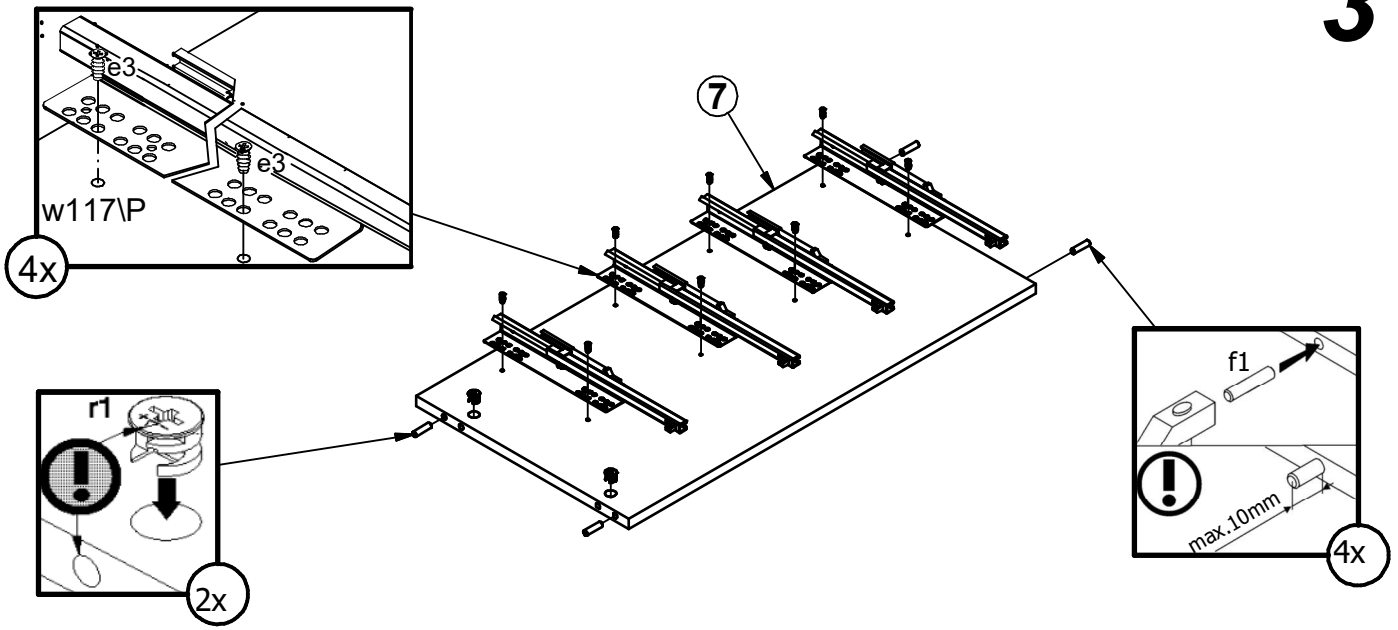
1



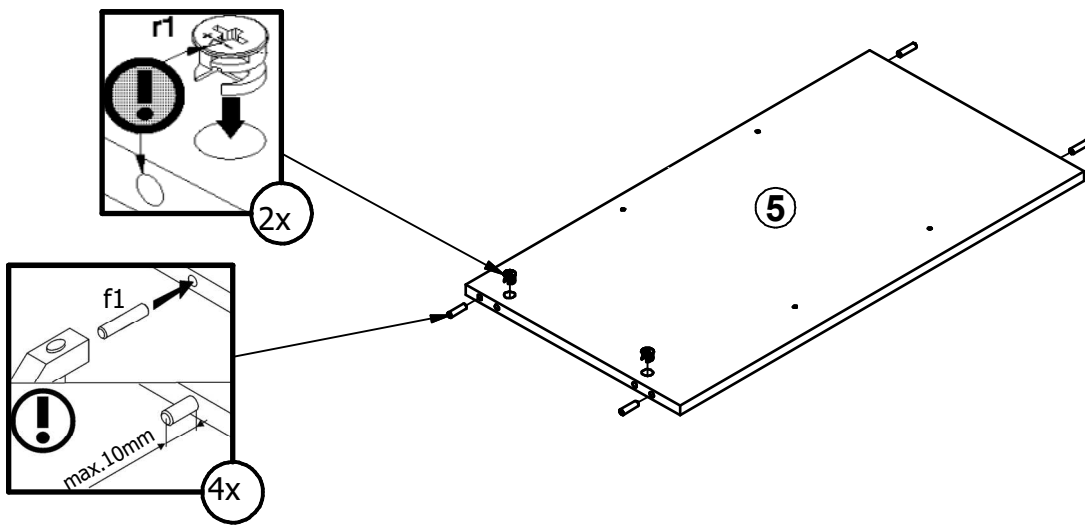
2



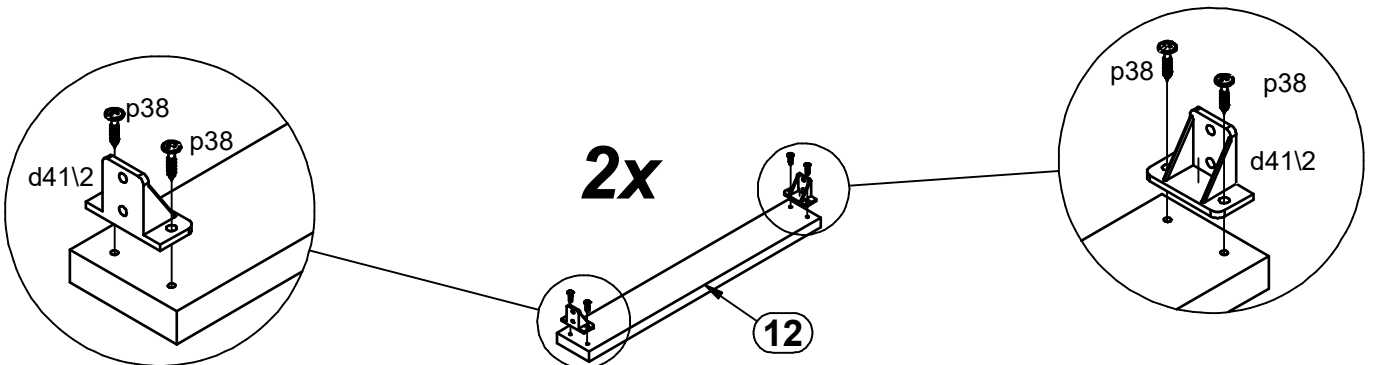
3



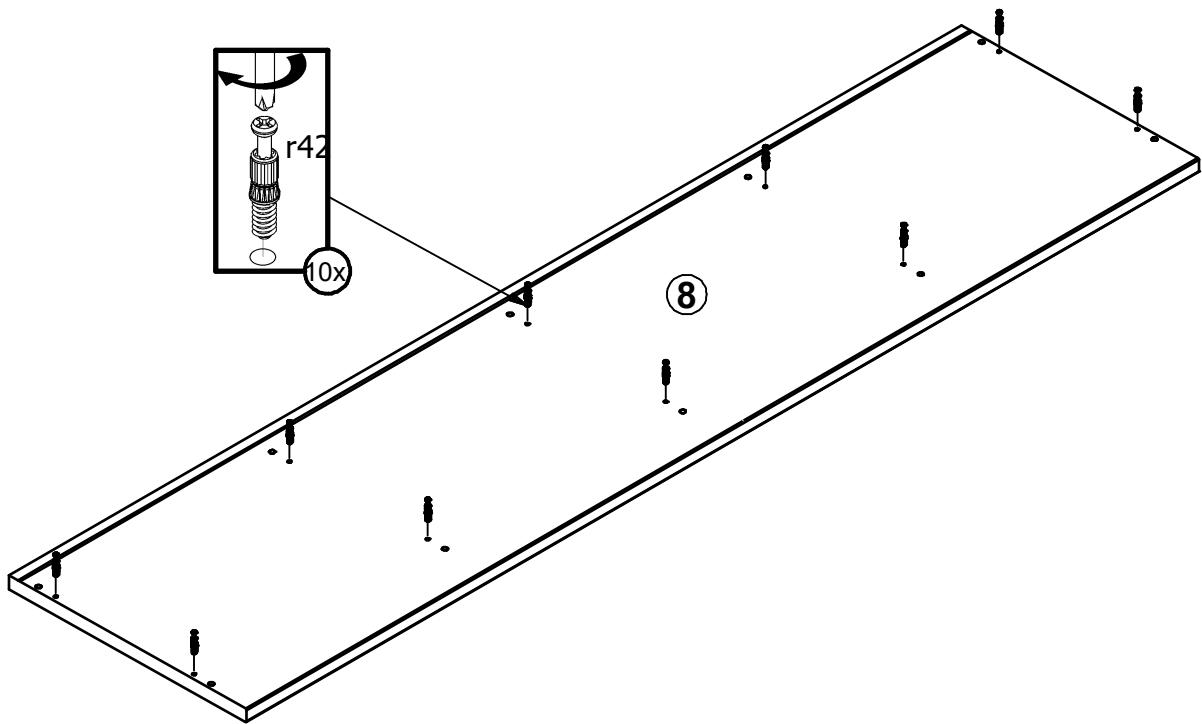
4



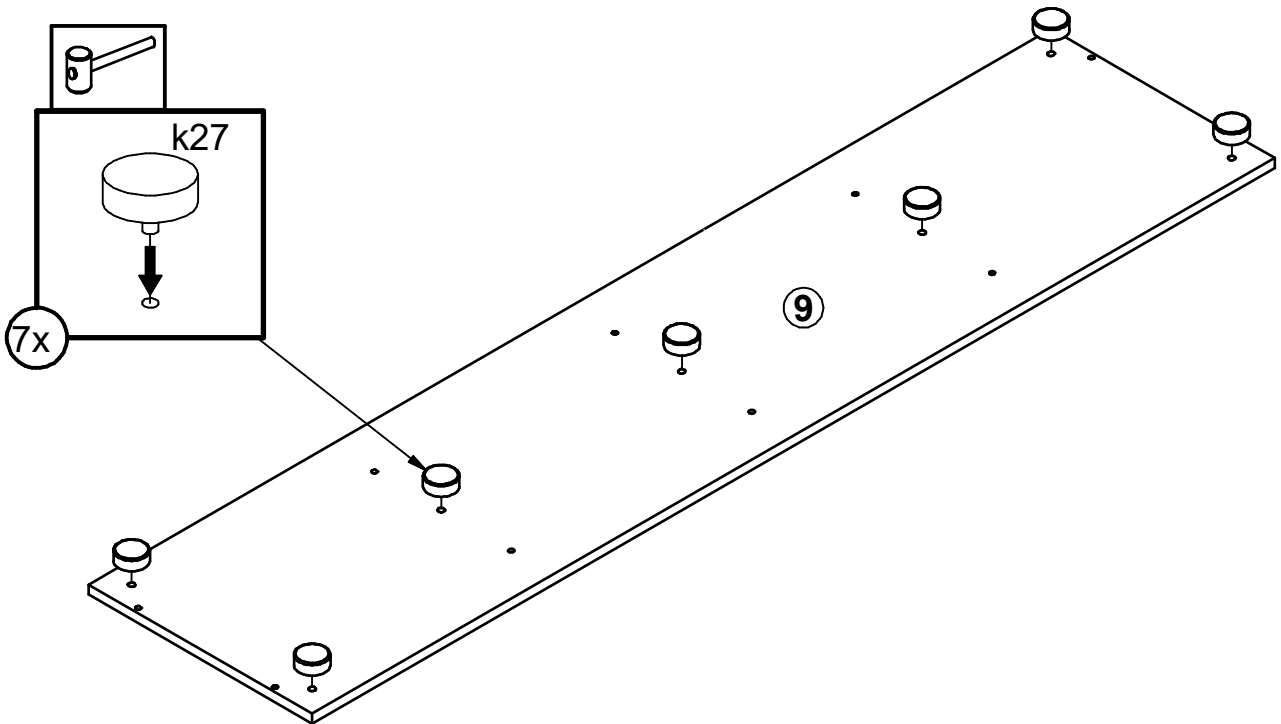
5



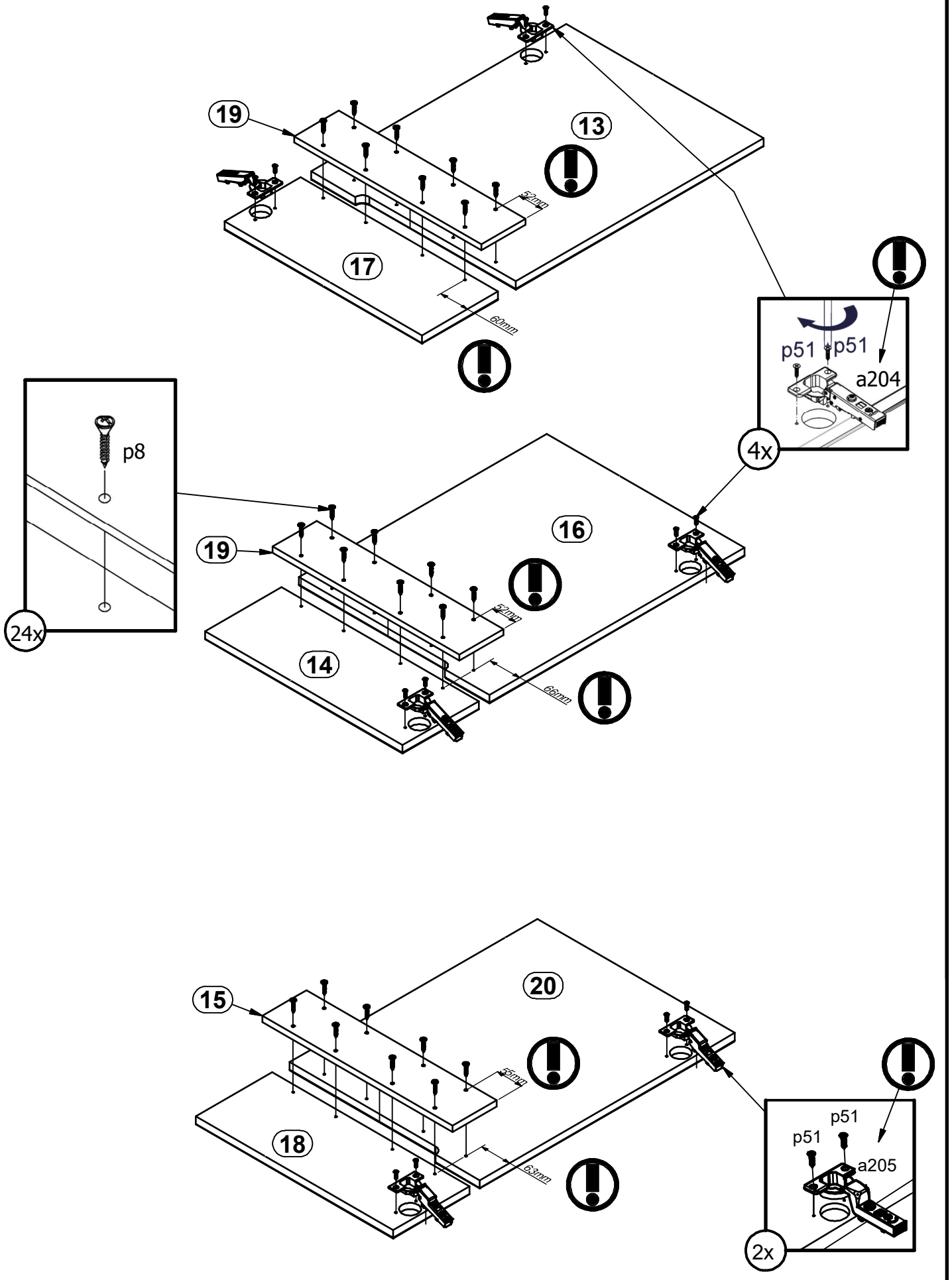
# 6

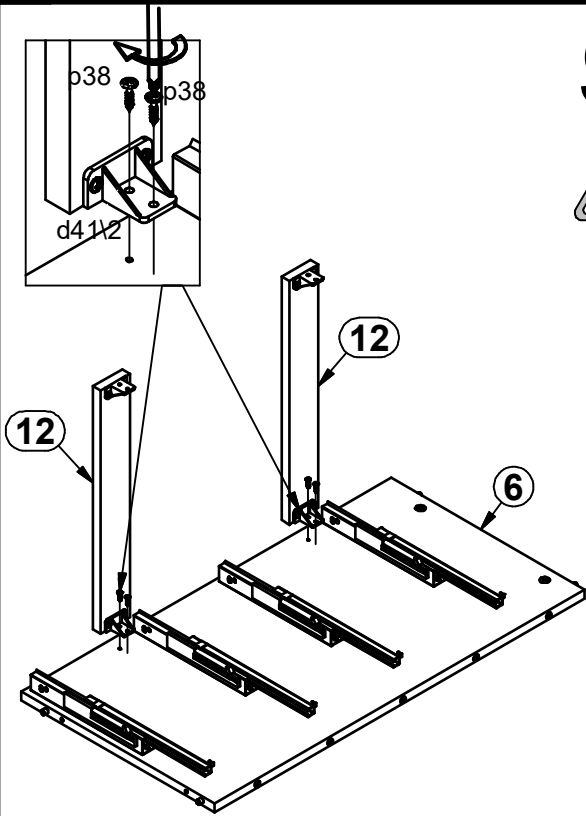
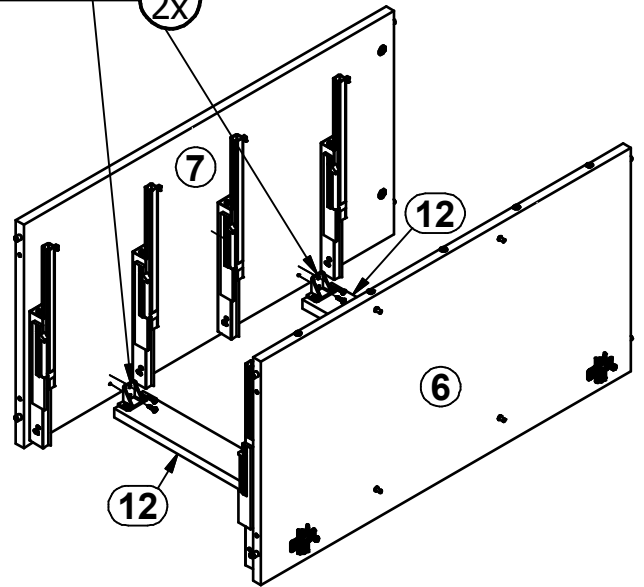
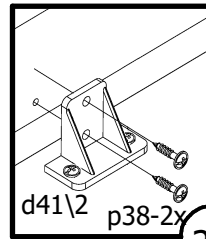
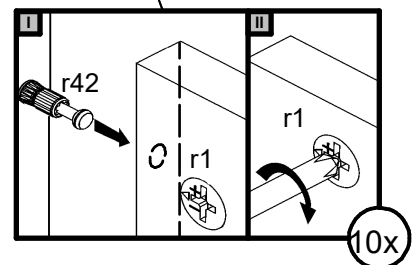
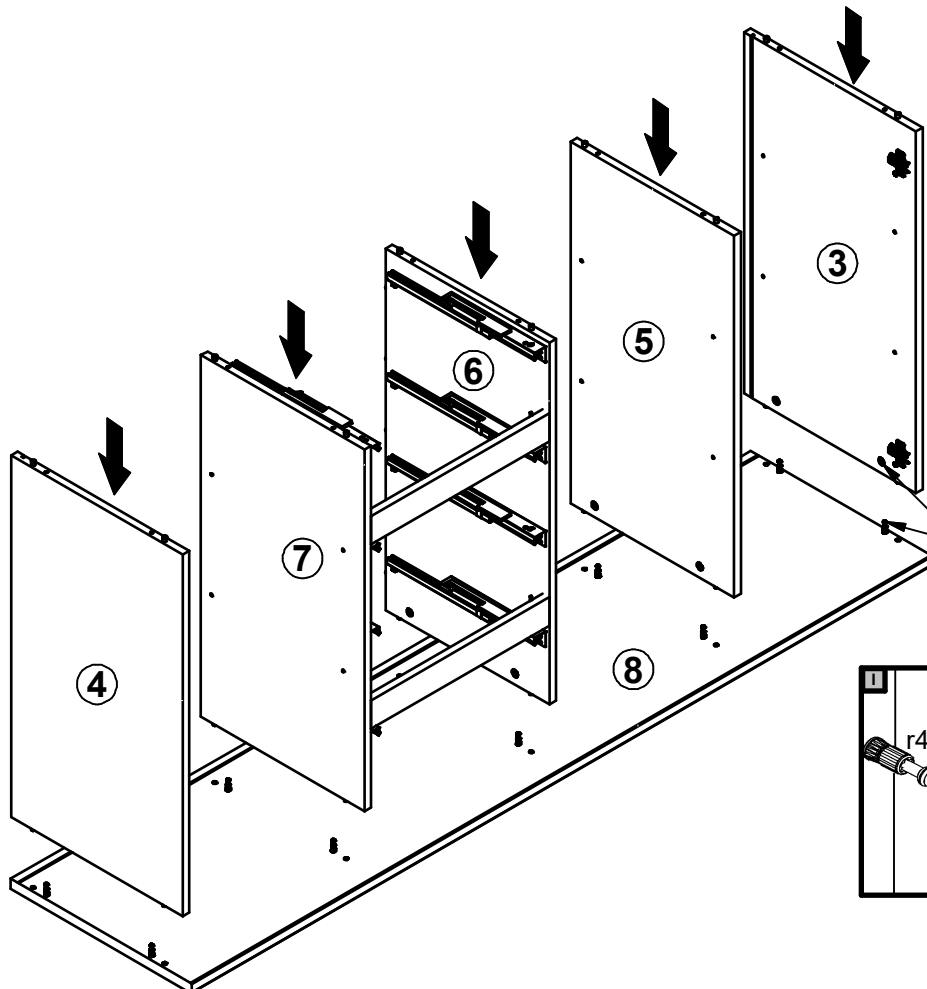


# 7



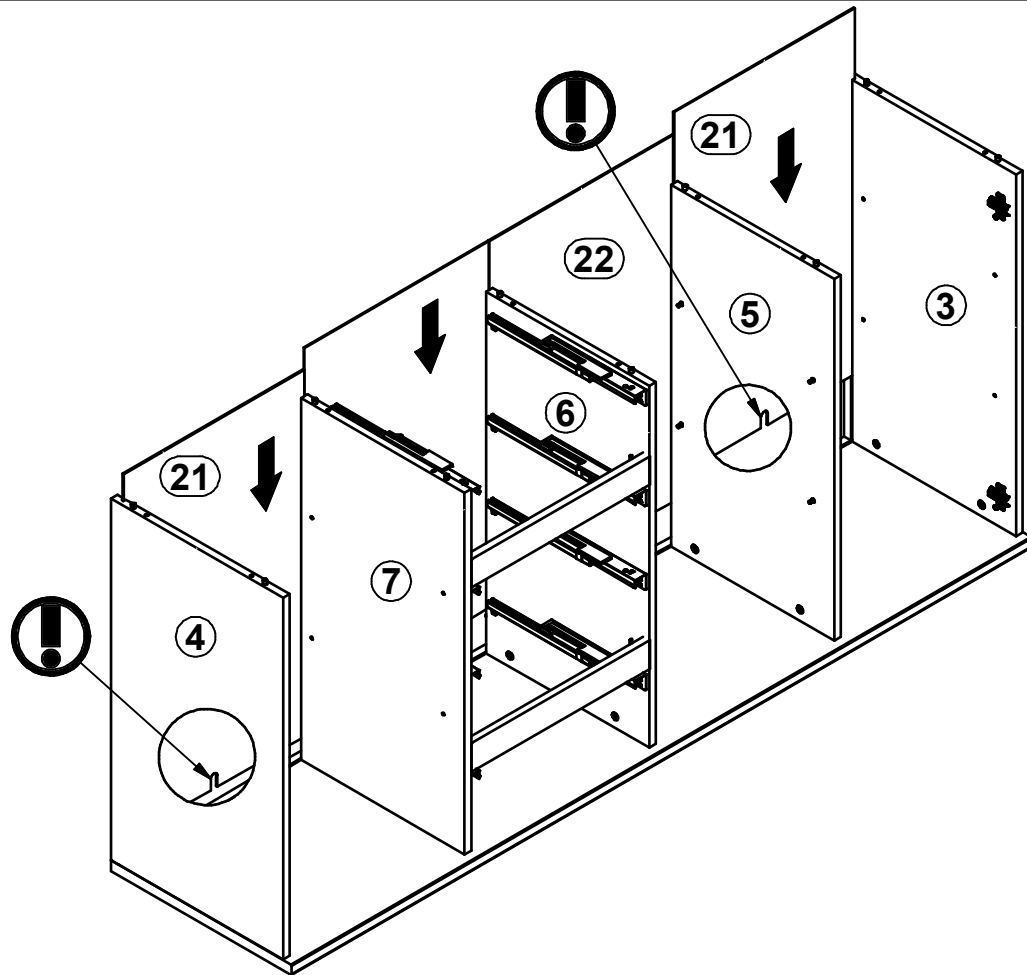
8



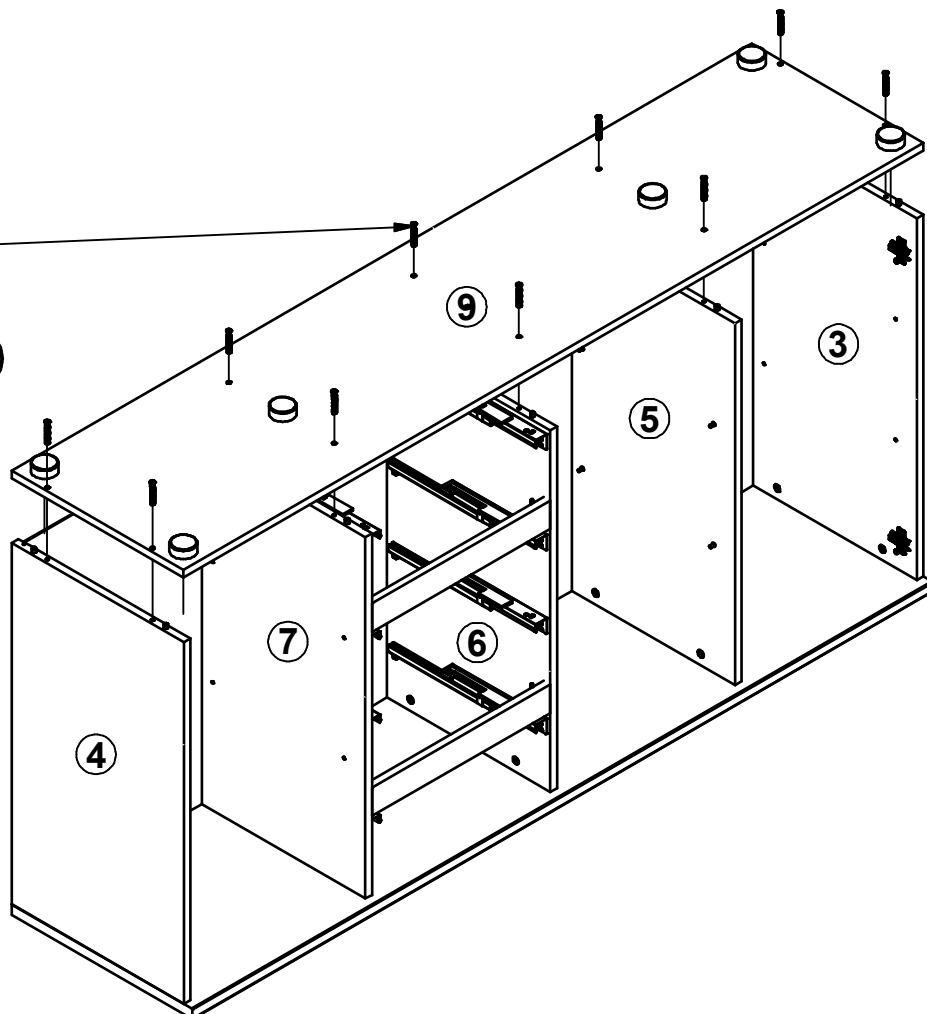
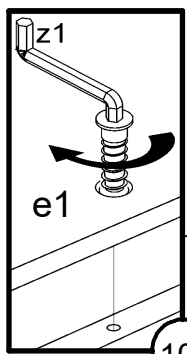
**9****10****11**



12

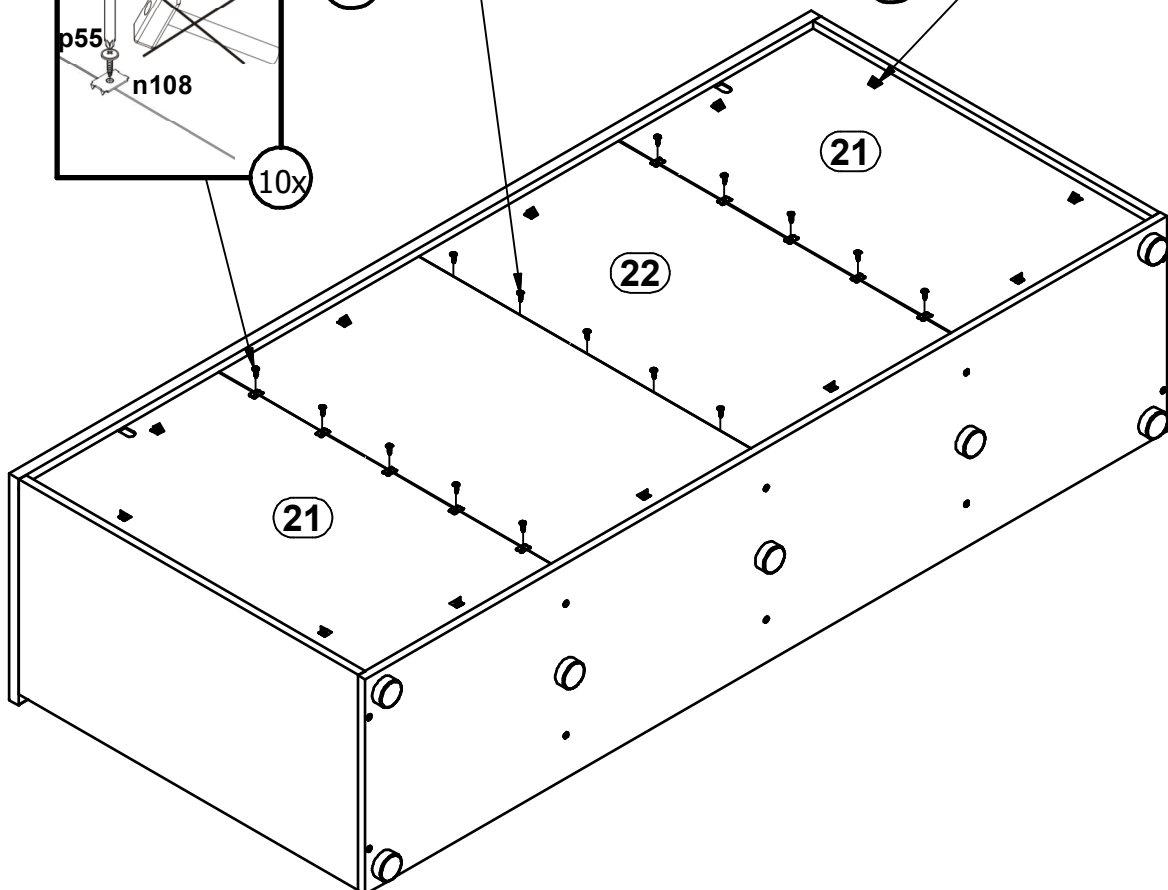
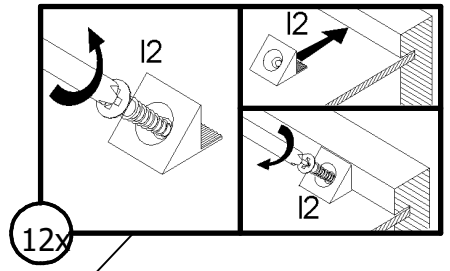
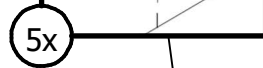
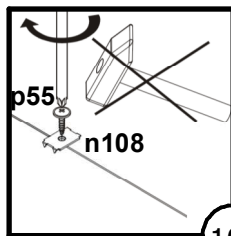
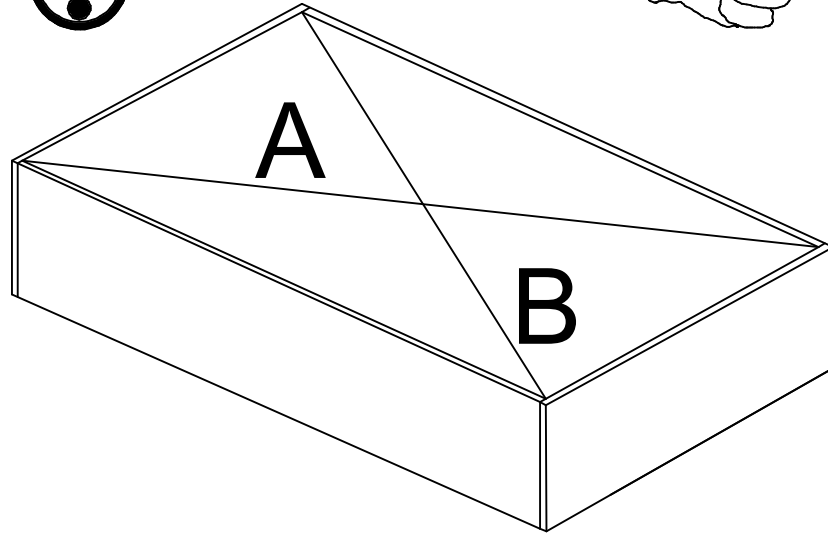


13

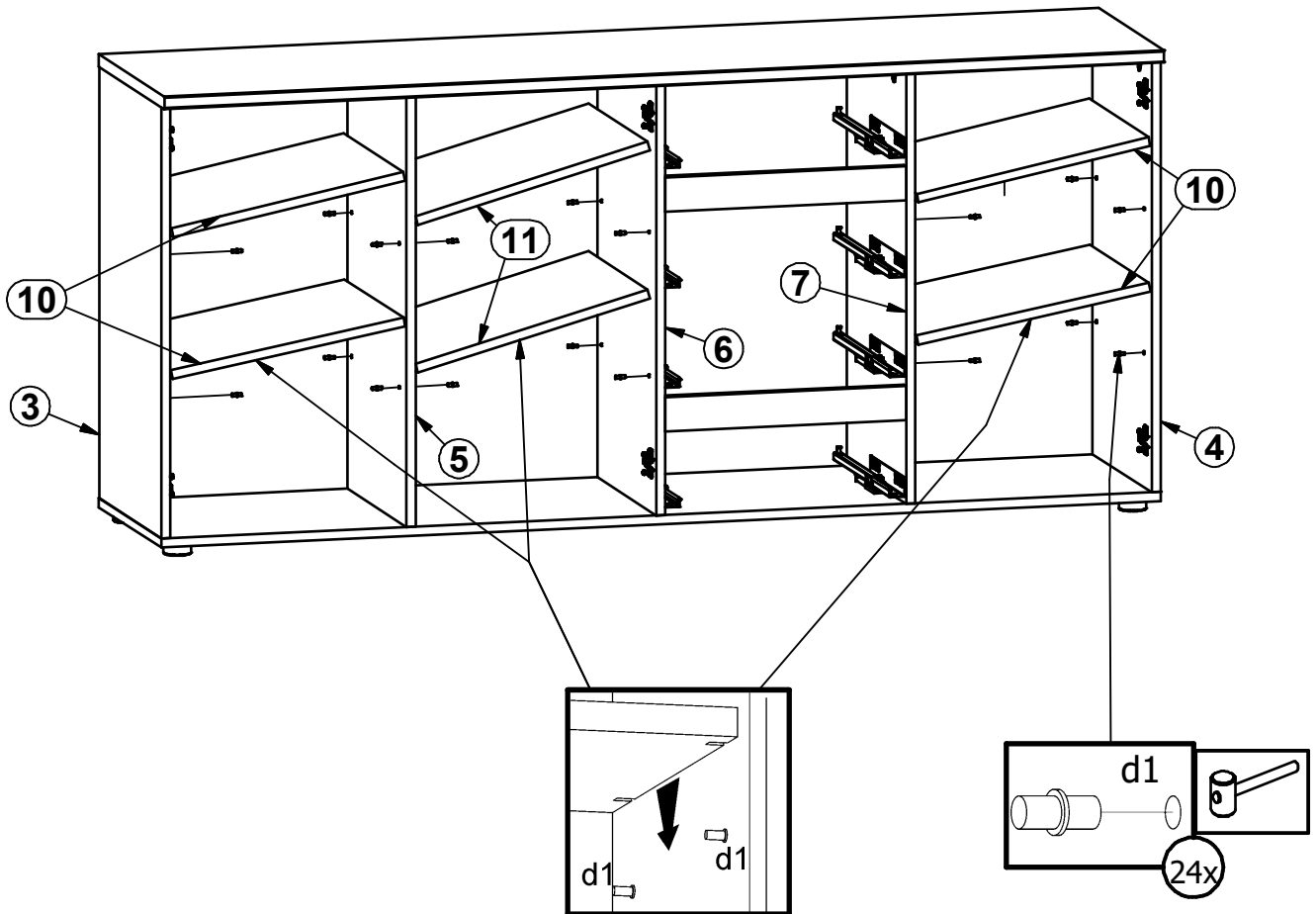


14

A=B

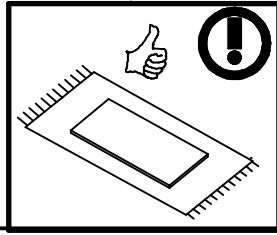
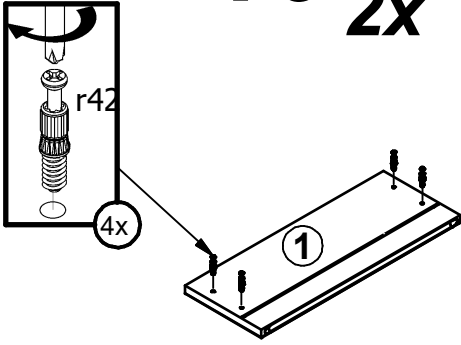


# 15

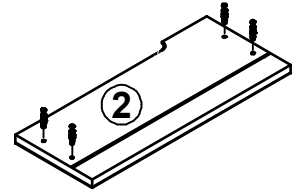


16 2x

17



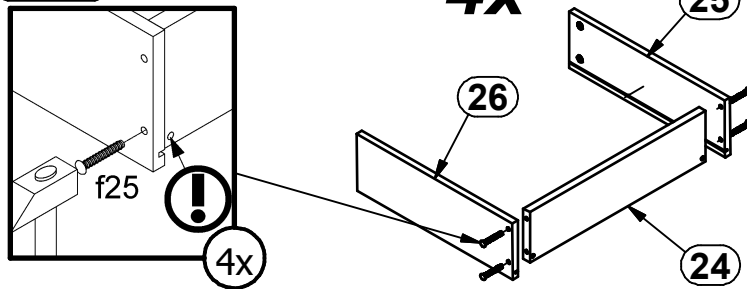
2x



18

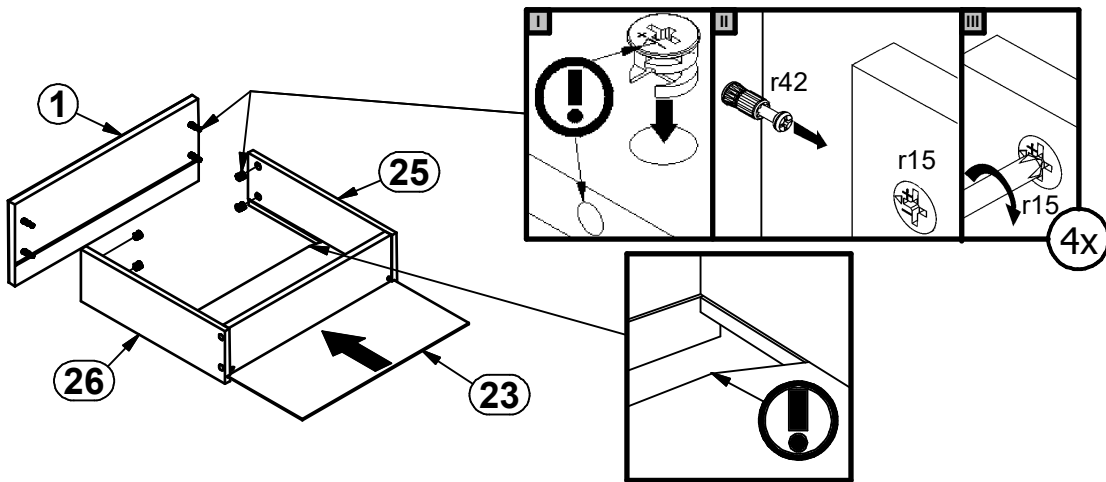


4x



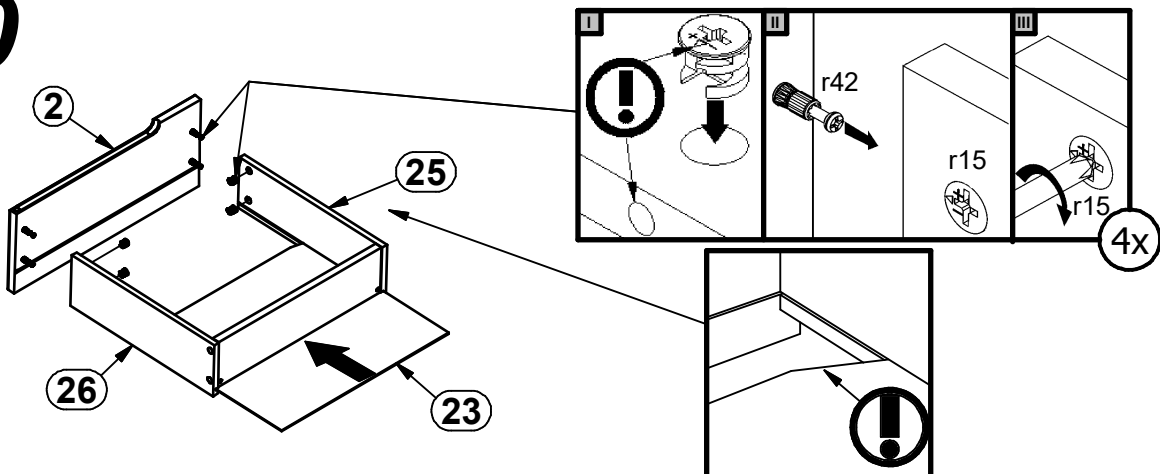
19

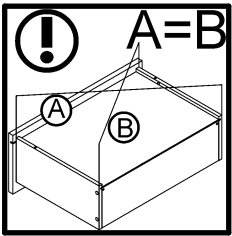
2x



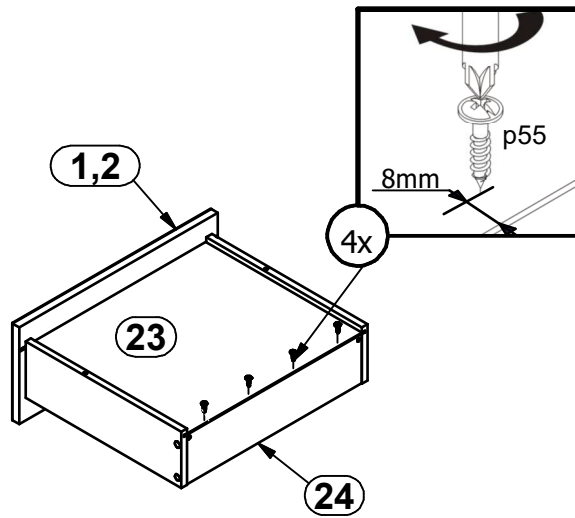
20

2x





21



22

