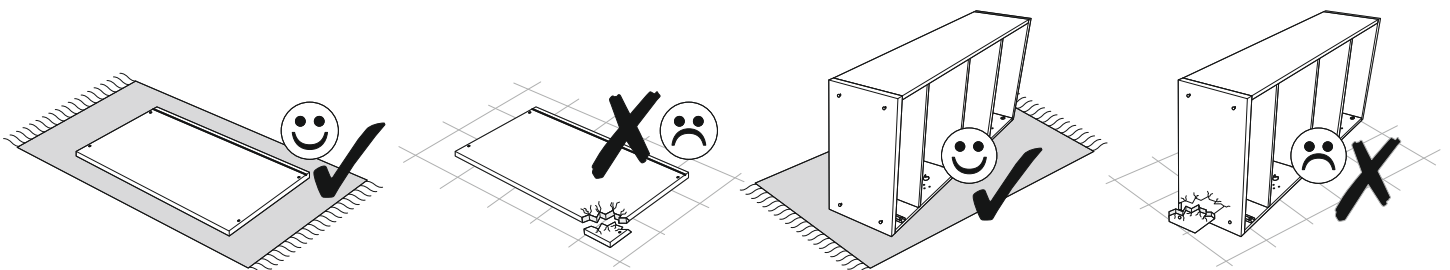
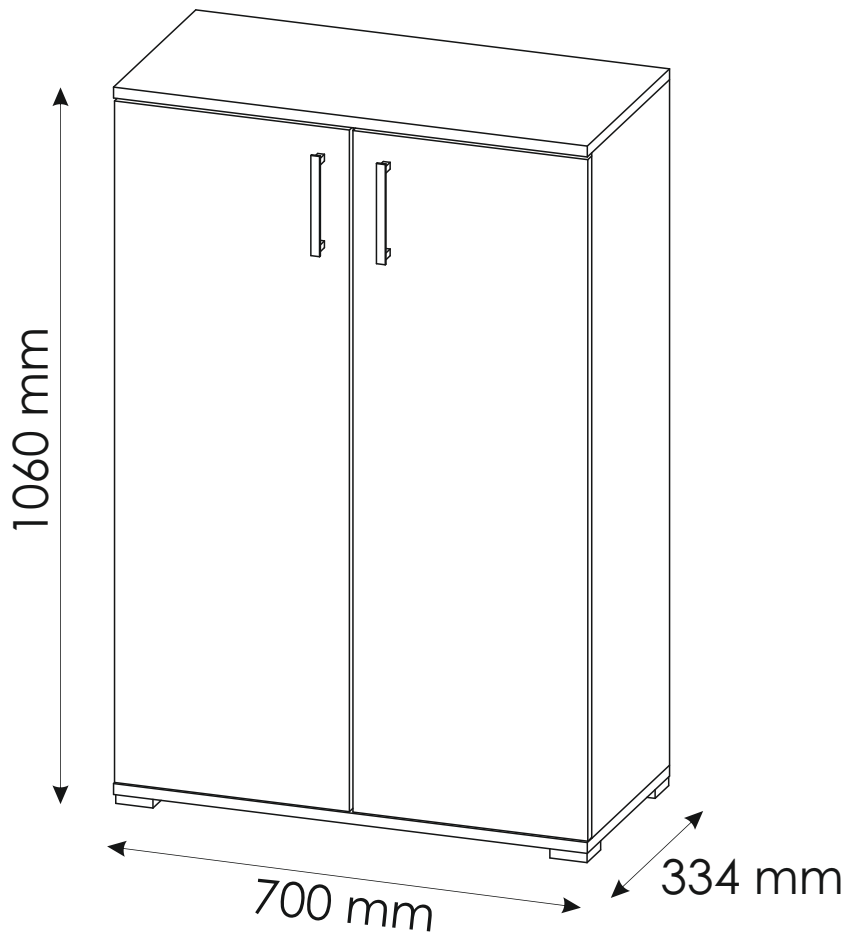
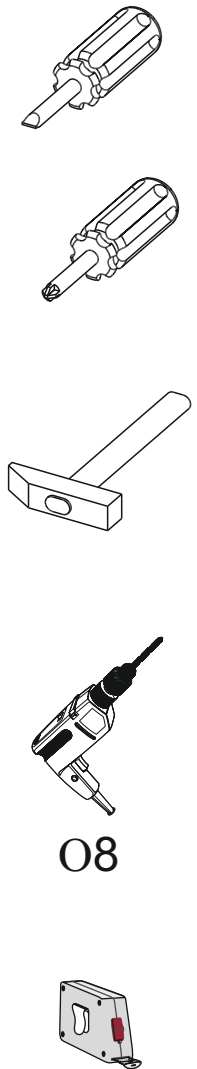
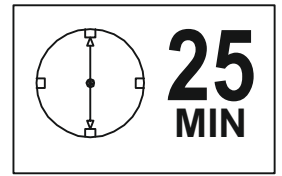
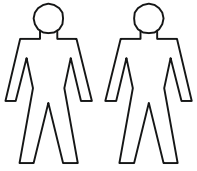
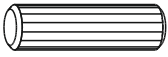
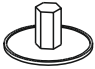





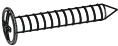

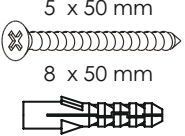
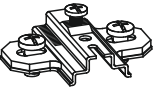


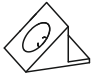
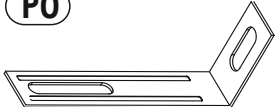

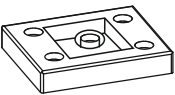



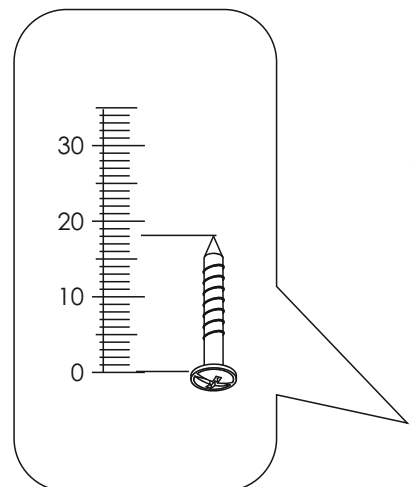
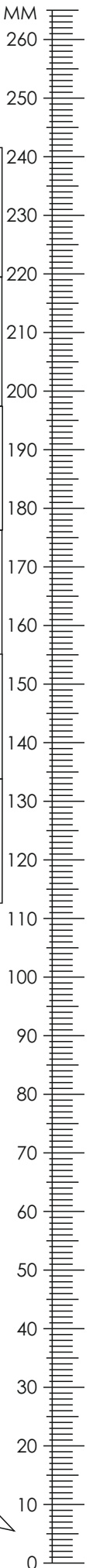
SCHUHSCHRANK JIMMY II / ALEX II / BOBBY II



SCHUHSCHRANK

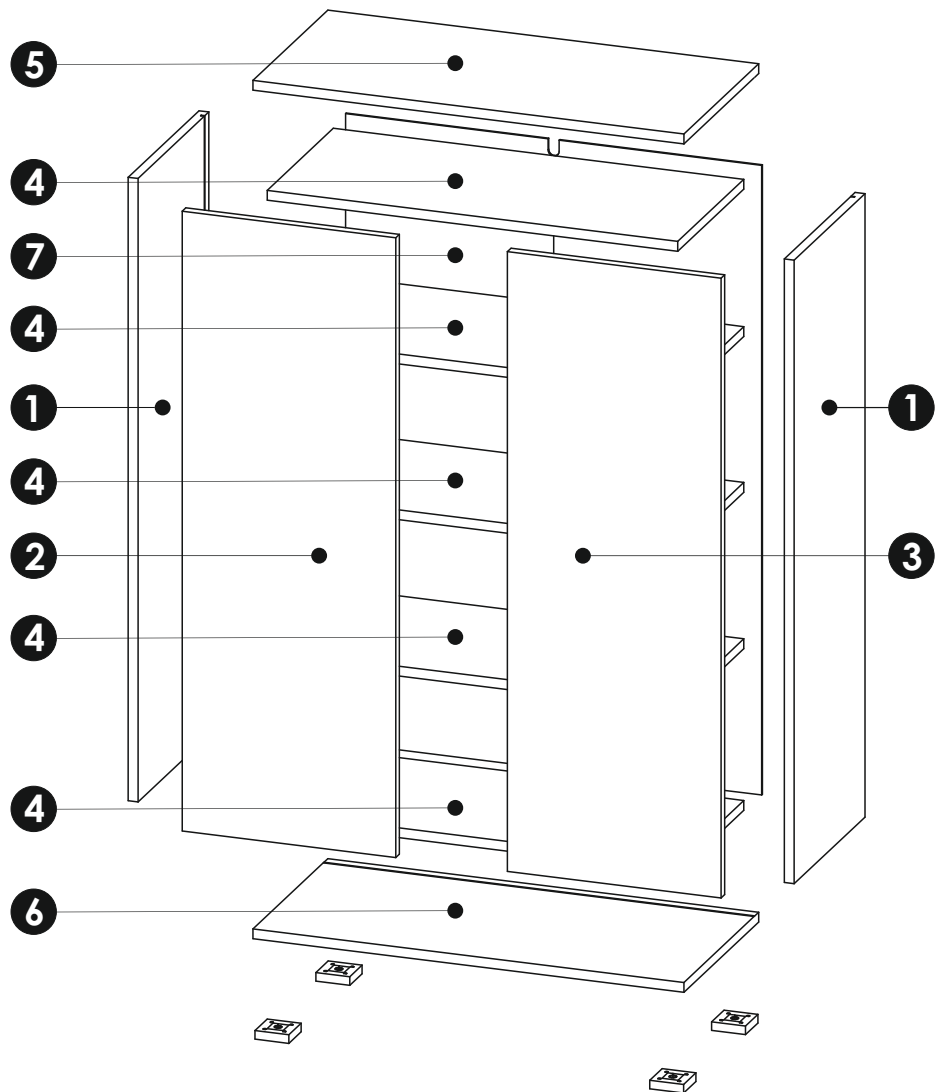
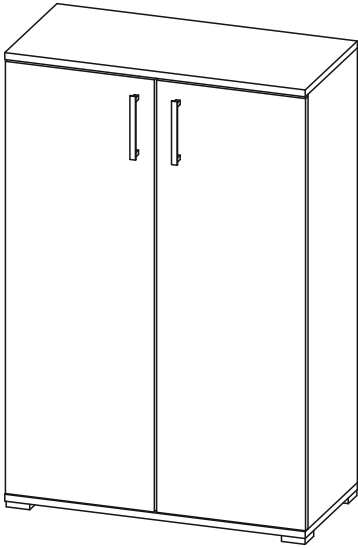
JIMMY II / ALEX II / BOBBY II


A0 8 x 32mm x4 	C0  x8	C2  x8
C7 16mm  x8	D0 3 x 15 mm  x12	D10 4 x 16 mm  x8
D12 4 x 25 mm  x16	D16 4 x 30 mm  x4	D21 5 x 13 mm  x1
E0 5 x 50 mm 8 x 50 mm  x1	J6  x4	J8  x4
L5  x2	M1  x12	P0  x1
Q3  x20	T5  x4	U0  x4

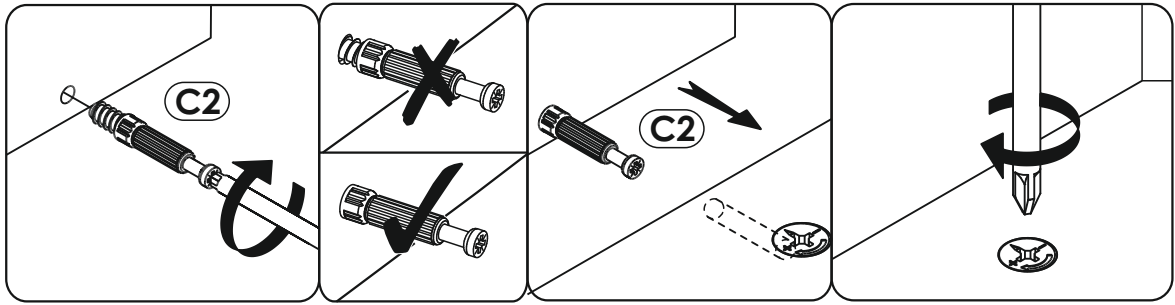


SCHUHSCHRANK



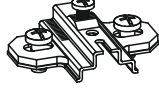
JIMMY II / ALEX II / BOBBY II

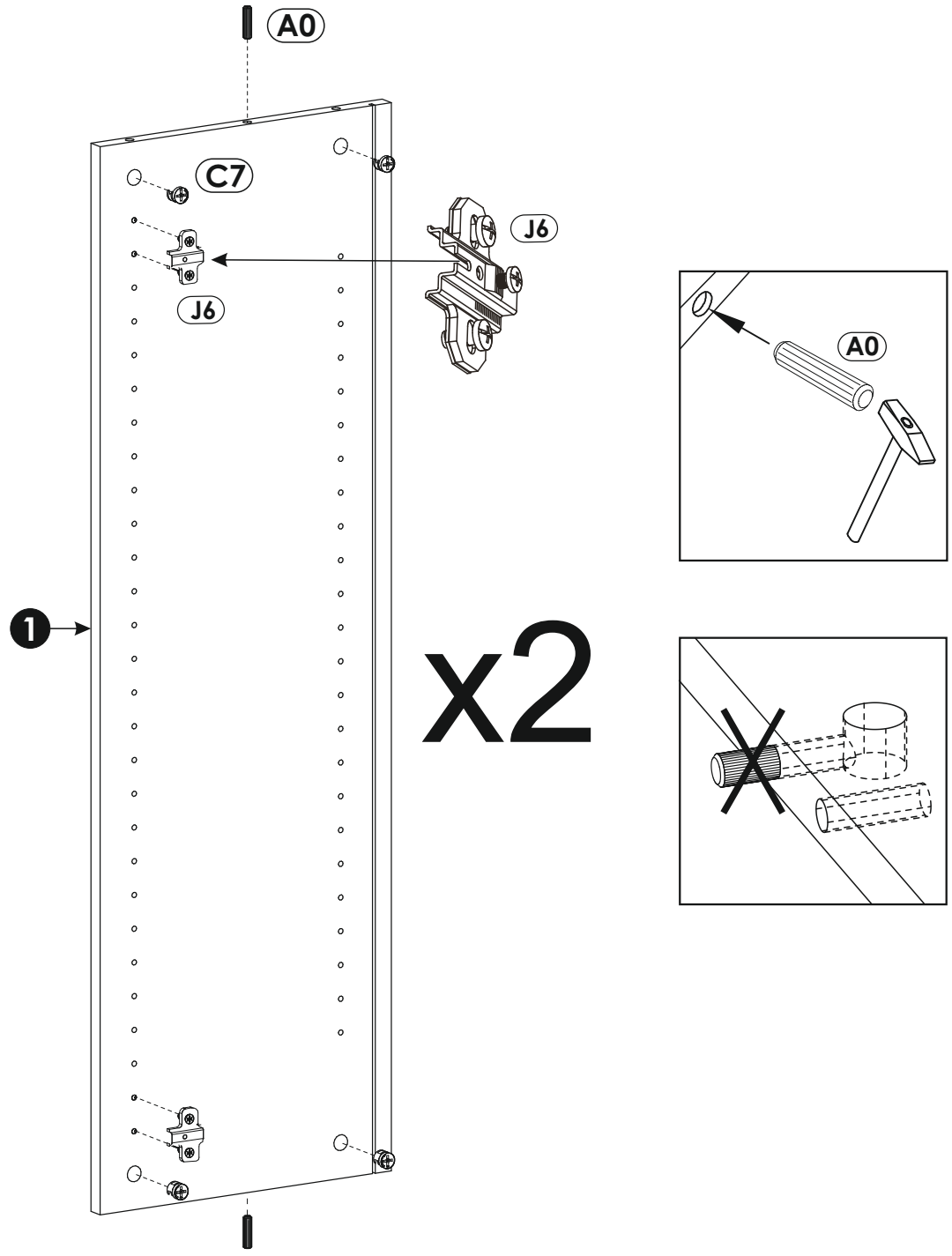


1	1013	316	16	x2	1/1
2	1007	347	16	x1	1/1
3	1007	347	16	x1	1/1
4	667	295	16	x5	1/1
5	700	334	16	x1	1/1
6	700	334	16	x1	1/1
7	1023	676	3	x1	1/1
					1/1

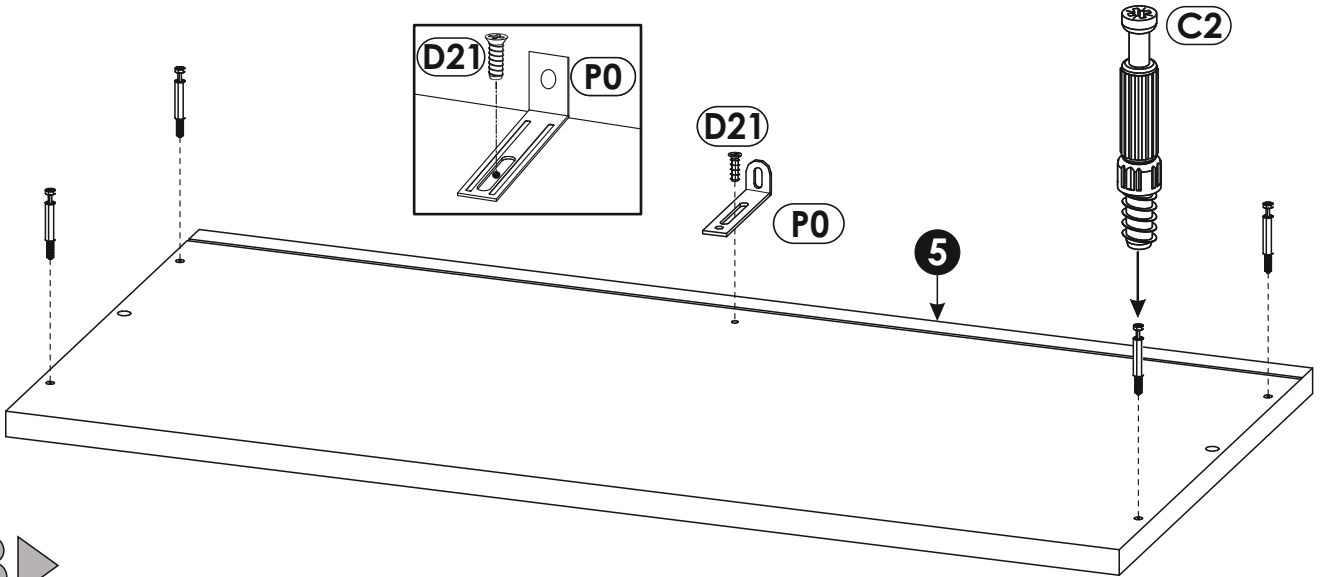
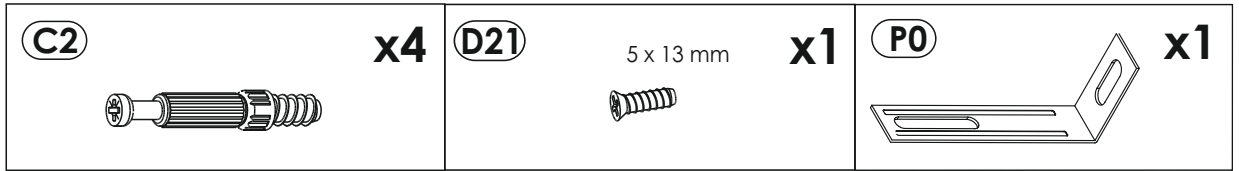


1 ▶

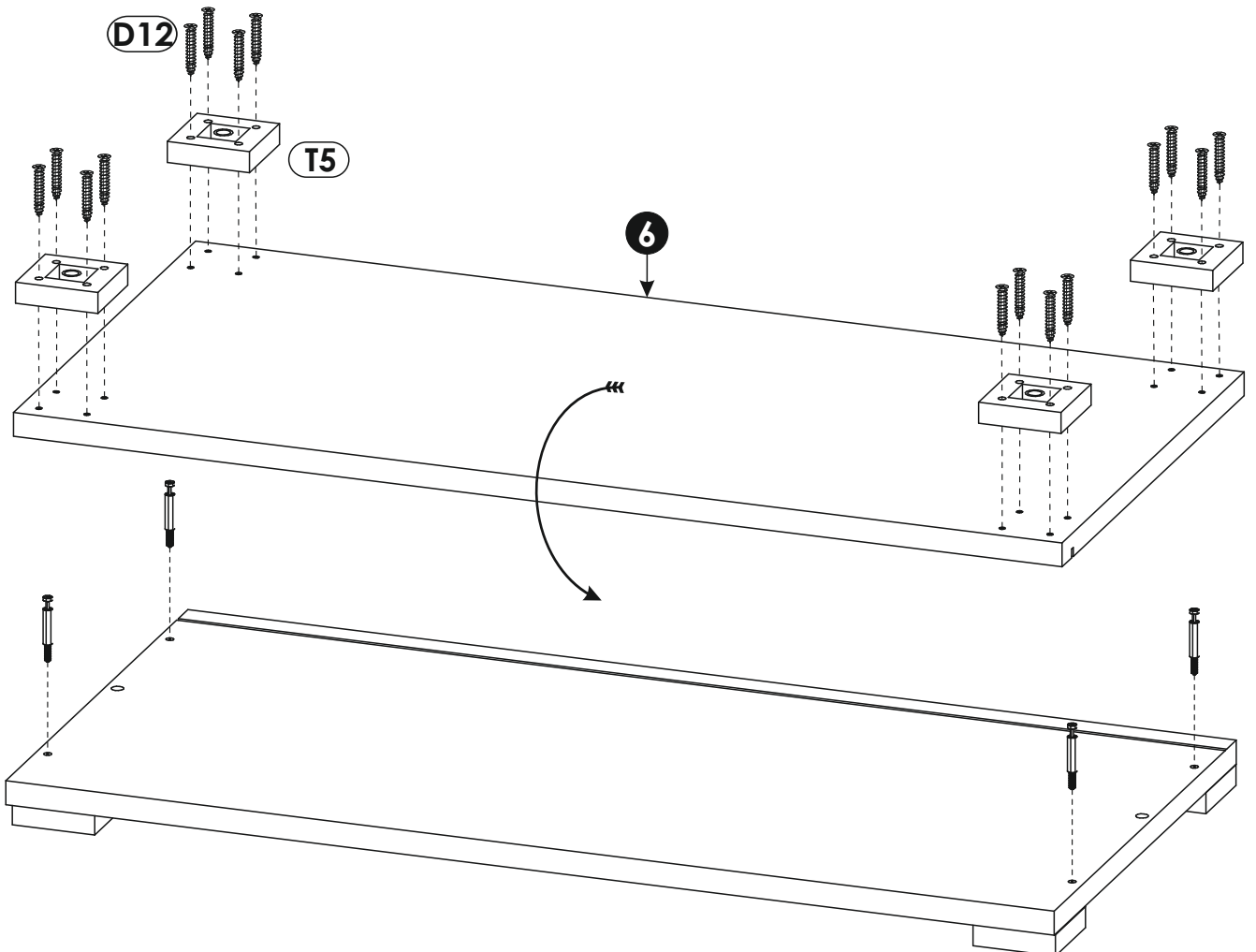
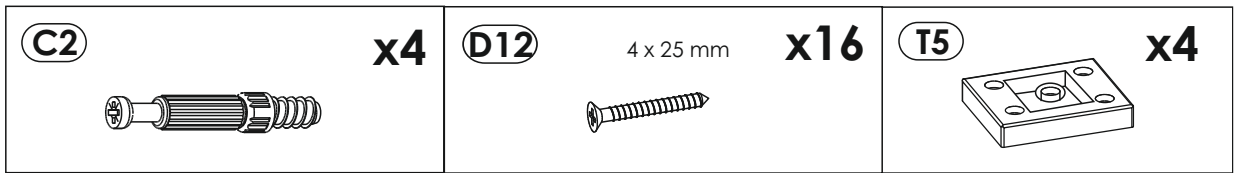
<p>(A0) 8 x 32mm x4</p> 	<p>(C7) 16mm x8</p> 	<p>(J6) x4</p> 
-------------------------------------------------------------------------------------------------------------------------	---------------------------------------------------------------------------------------------------------------------	------------------------------------------------------------------------------------------------------------------



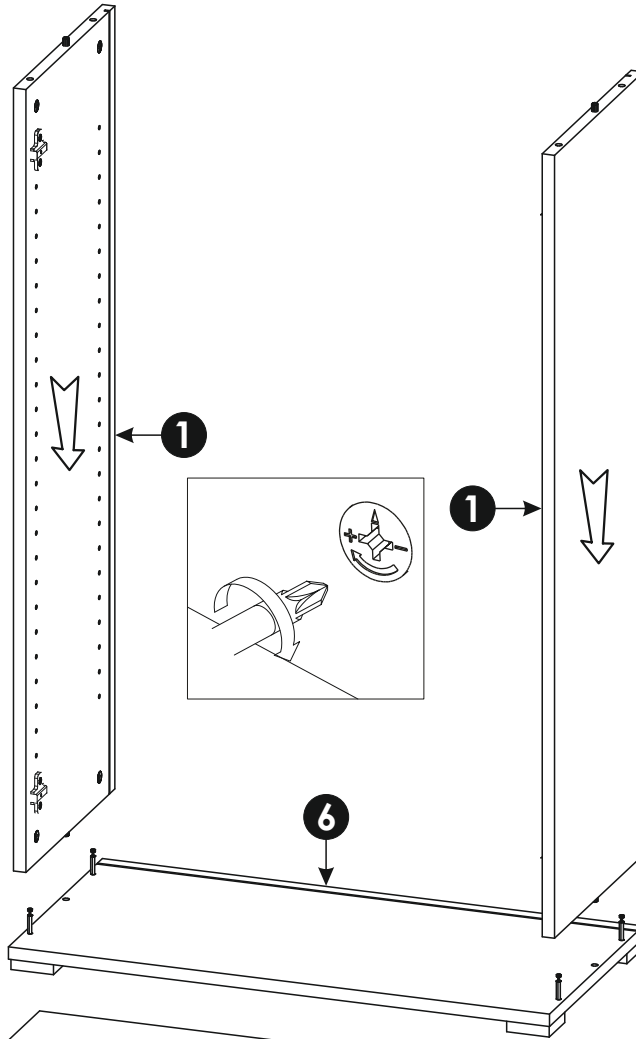
2 ▶



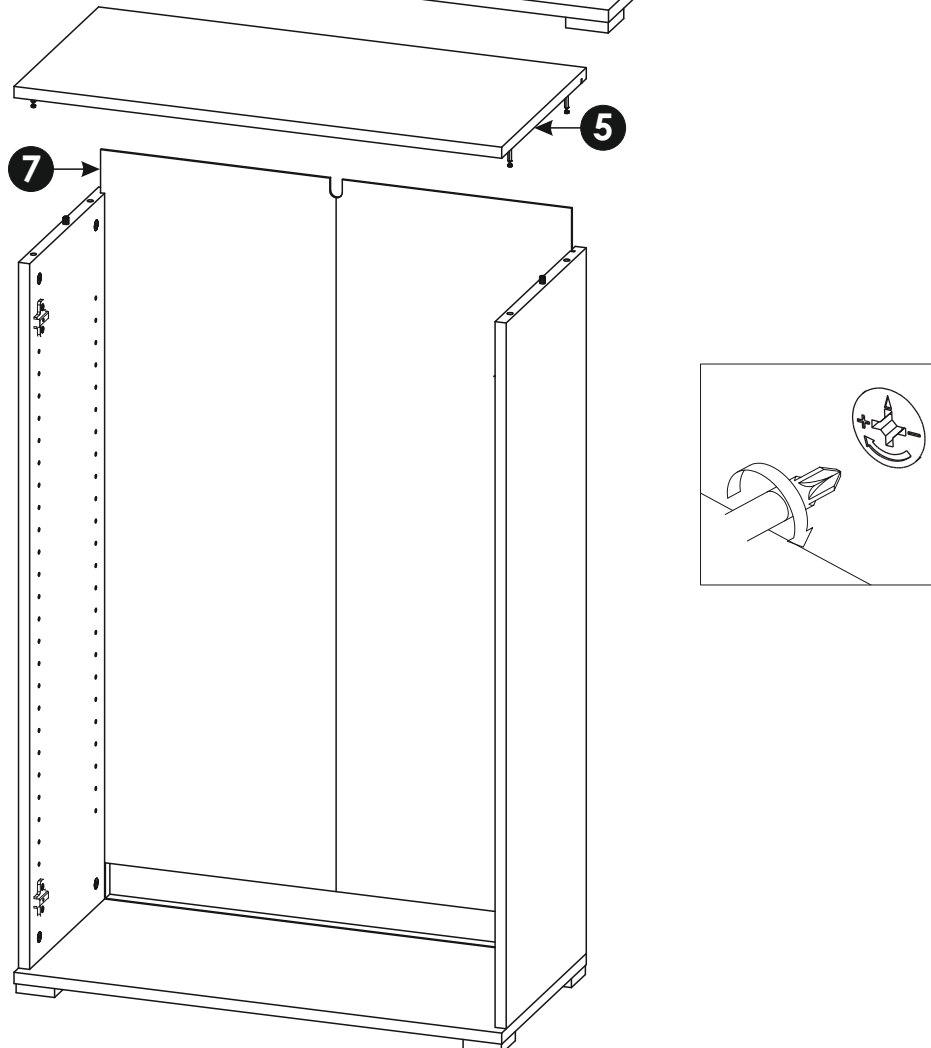
3 ▶





4 ▶

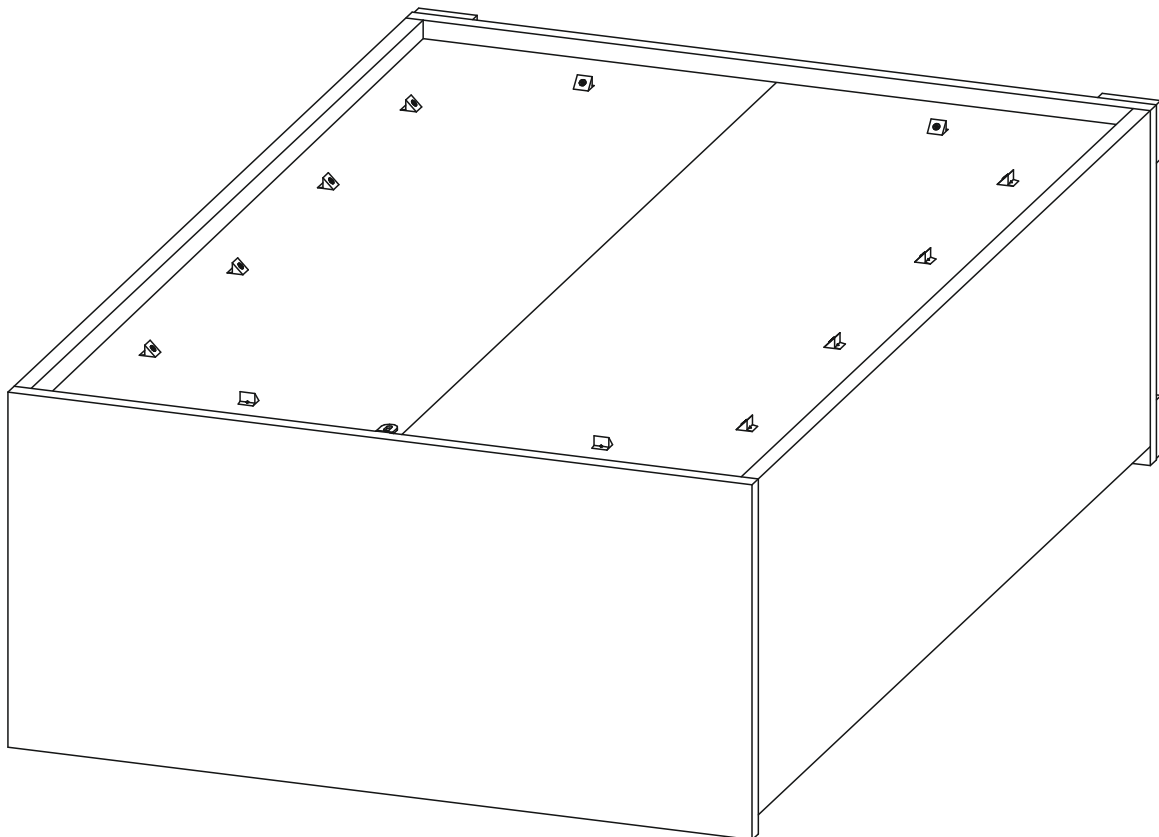
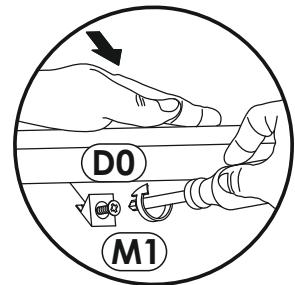
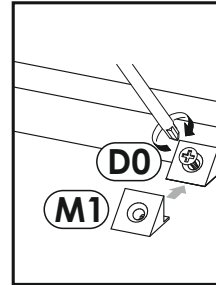
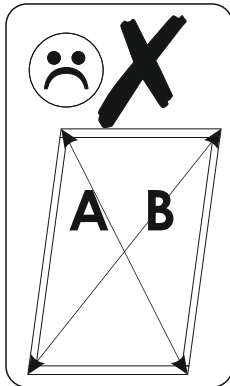
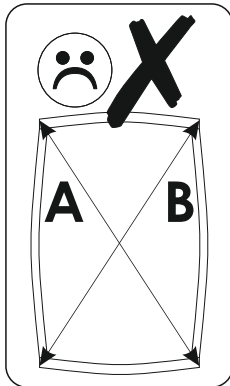
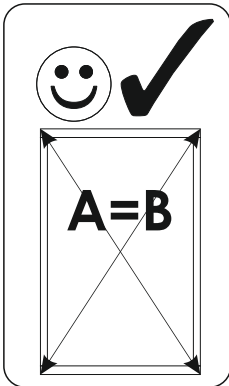


5 ▶



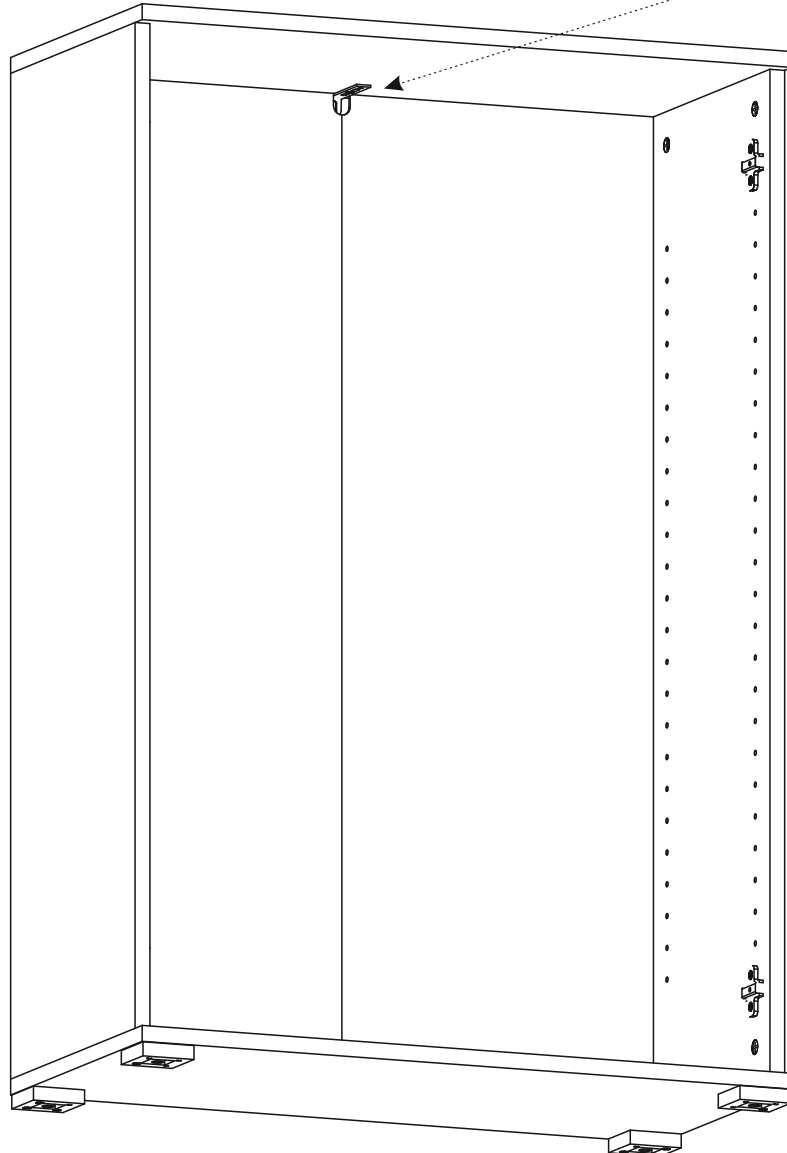
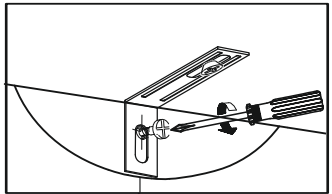
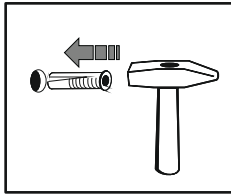
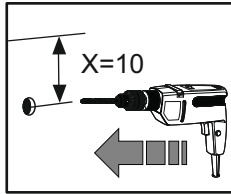
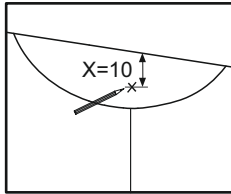
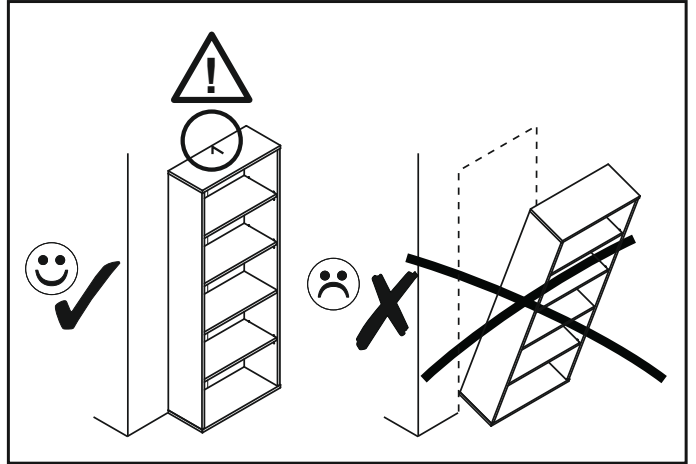
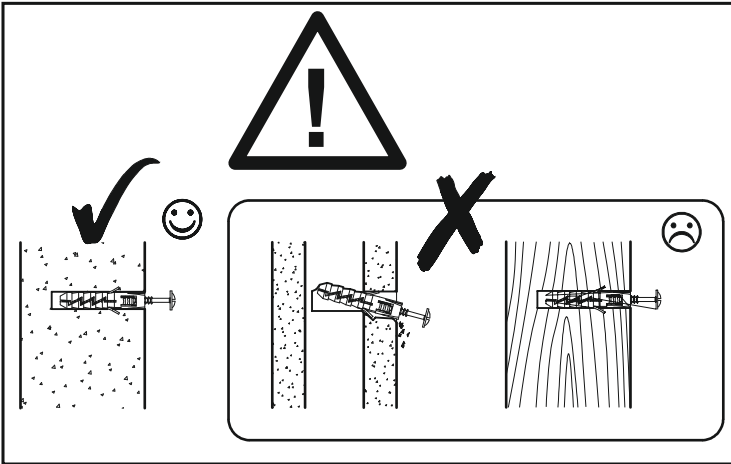
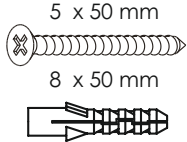
6 ▶

(D0)	3 x 15 mm	x12	(M1)		x12
					

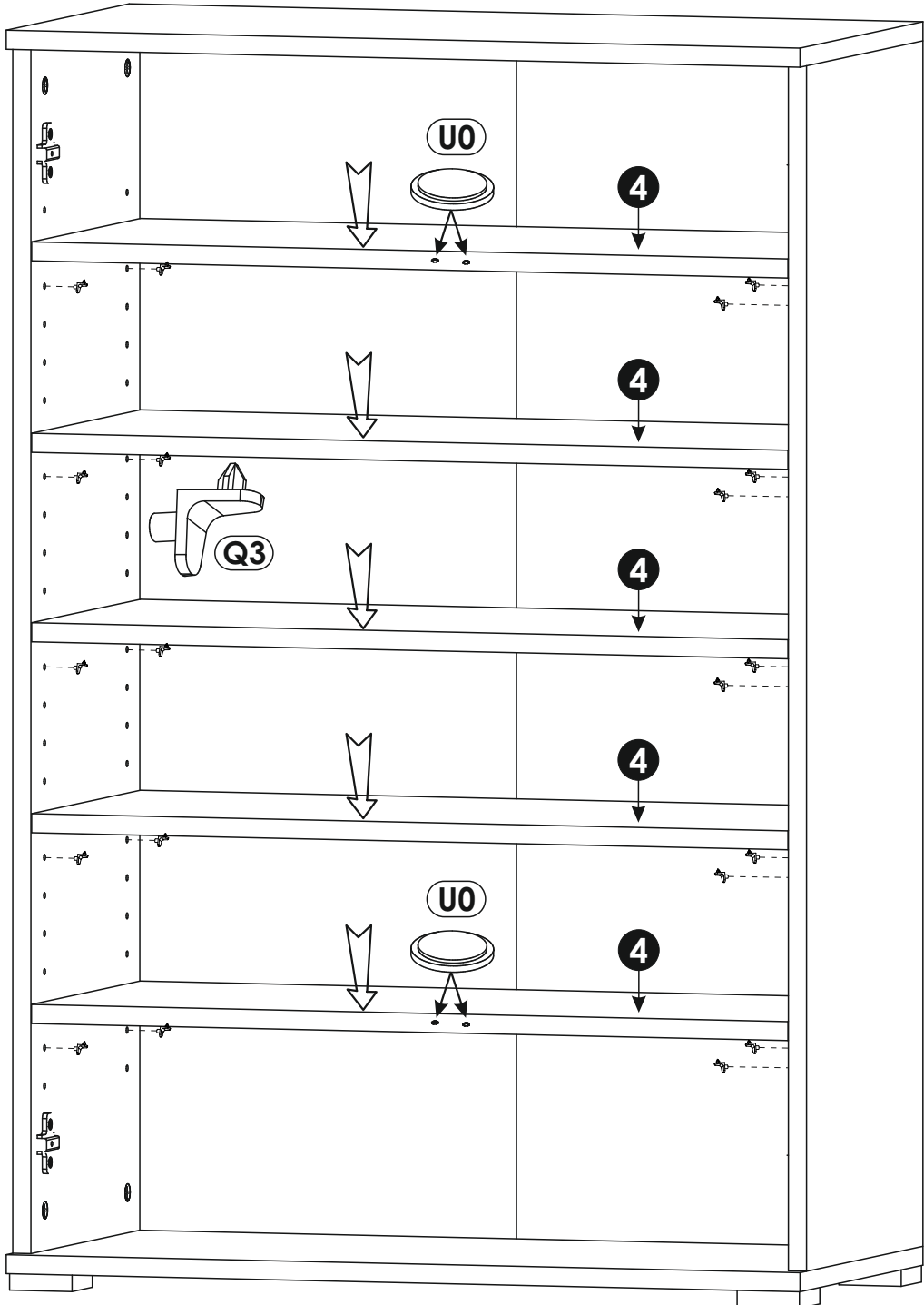
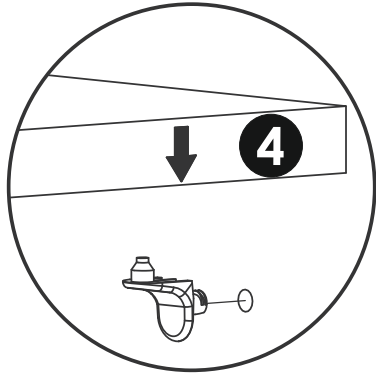
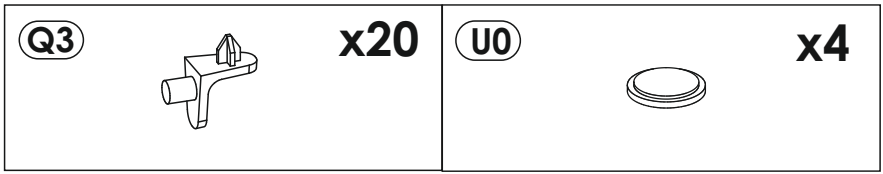


7

(E0) 5 x 50 mm **x1**
8 x 50 mm




8 ▶

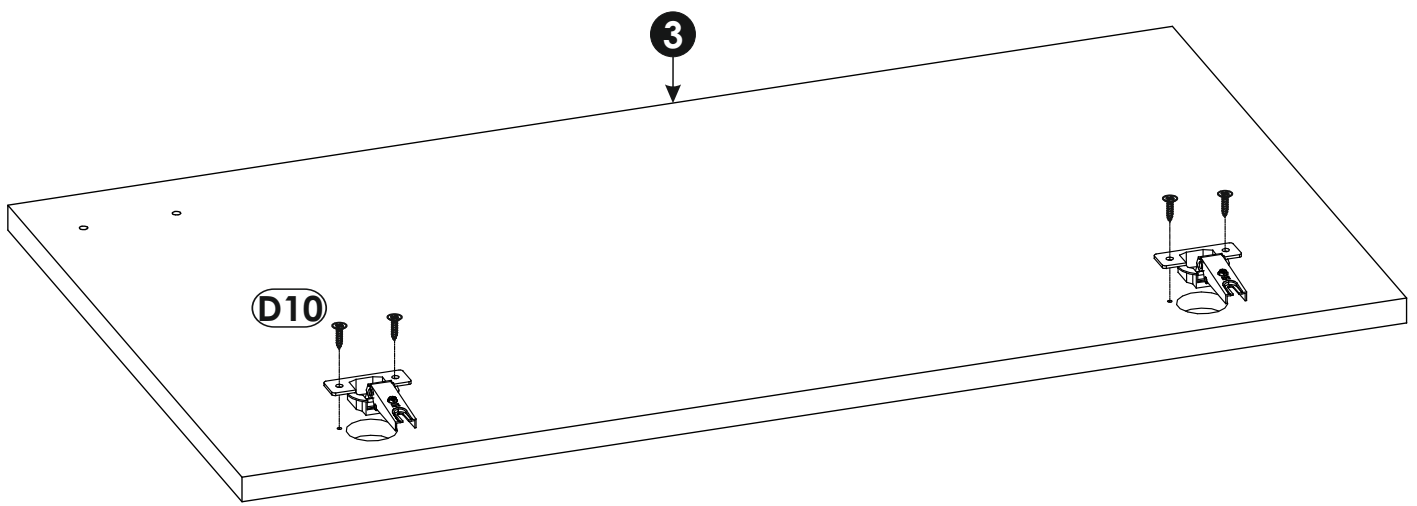
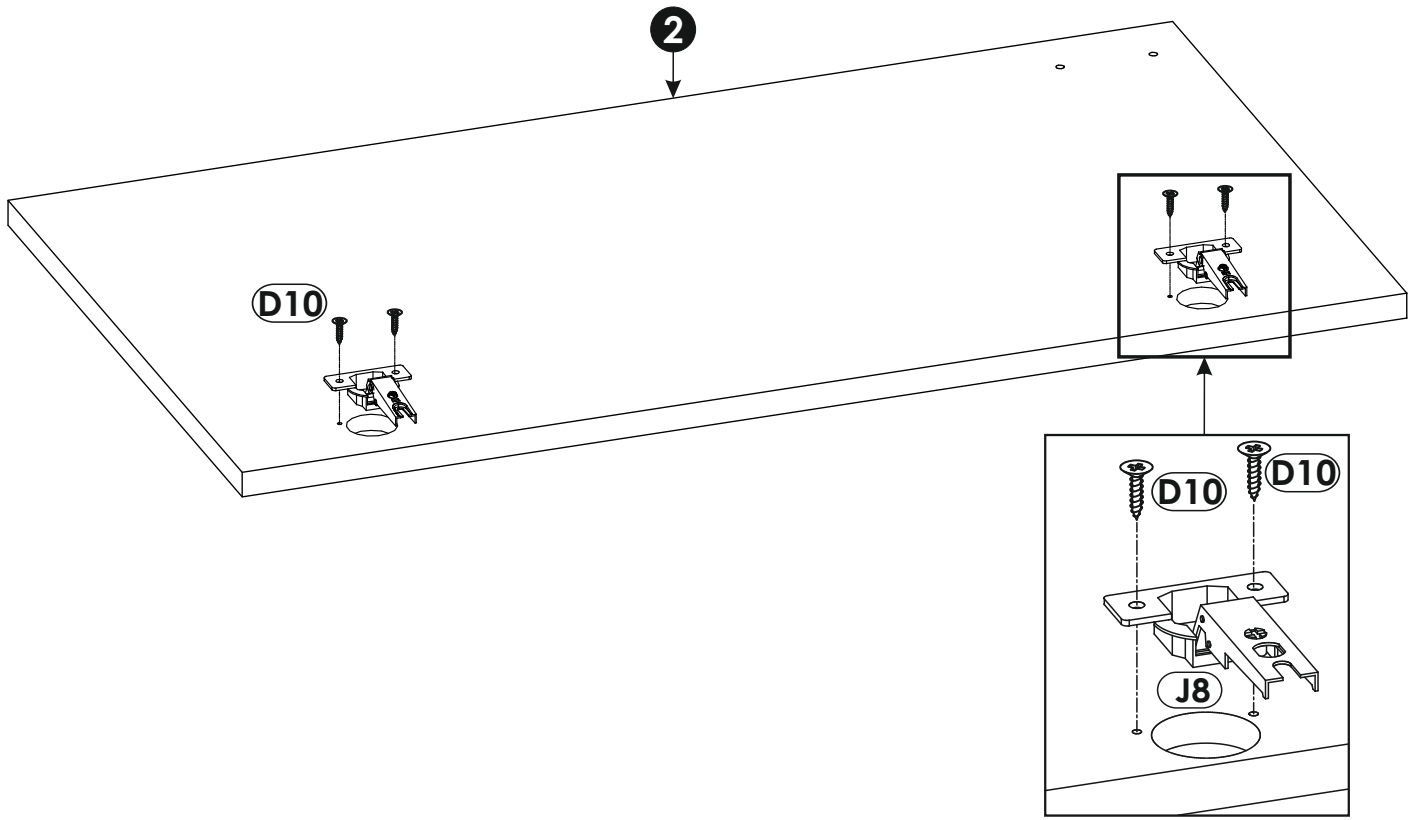


9 ▶

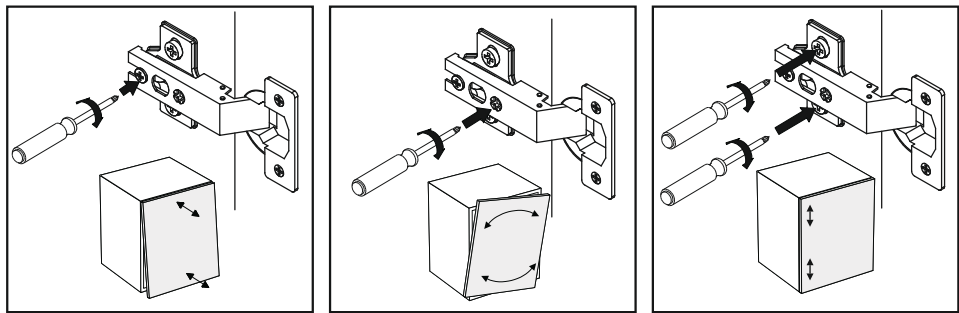
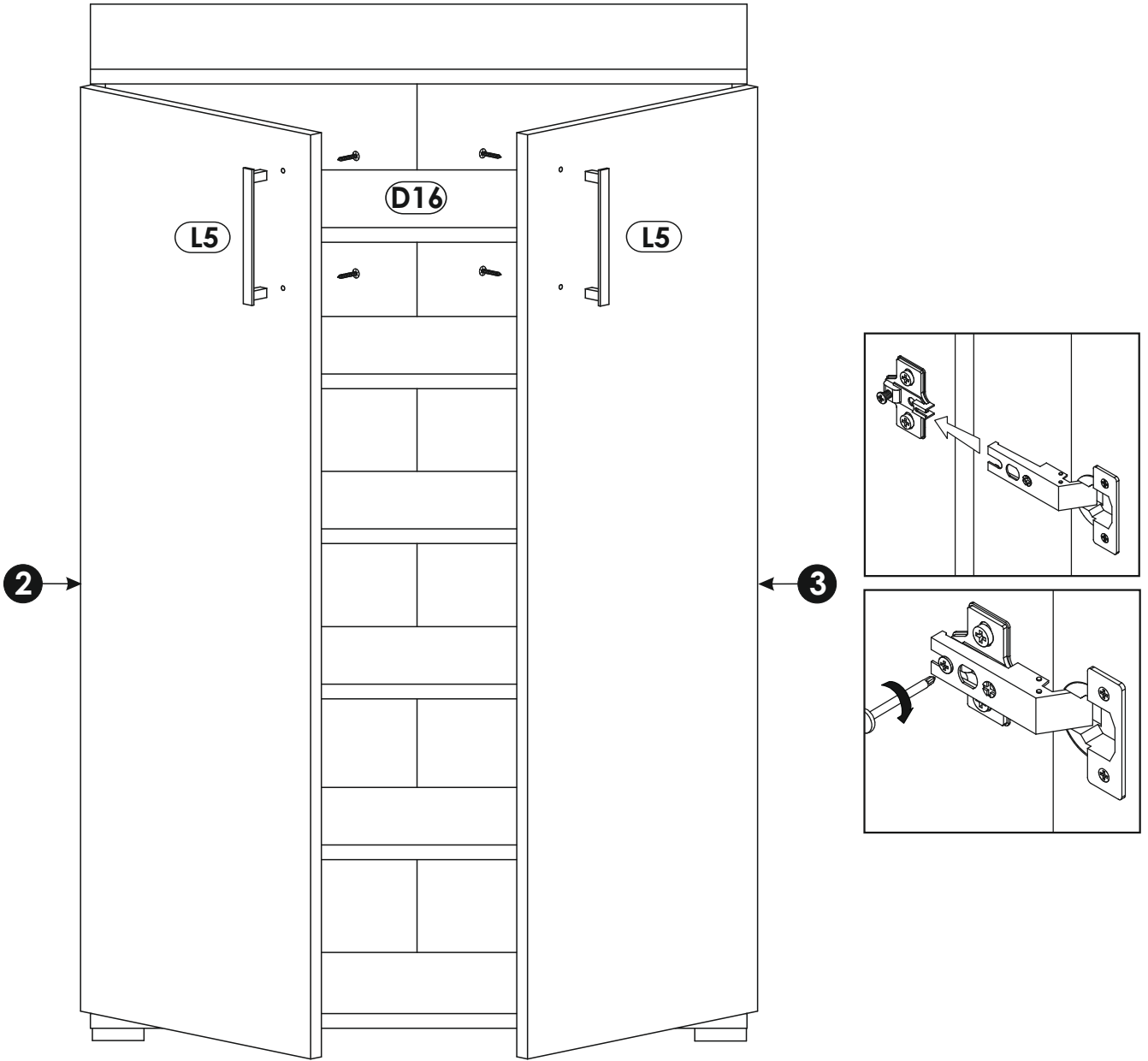
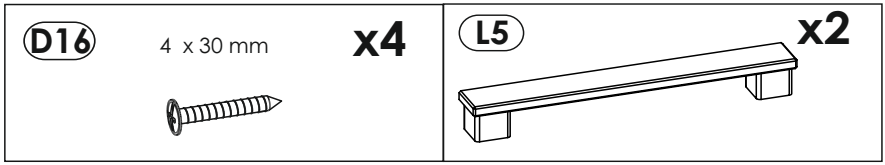
D10	4 x 16 mm	x8	J8	x4
------------	-----------	-----------	-----------	-----------



The image shows a 4x16mm screw and a metal bracket component.



10 ▶



11 ▶

