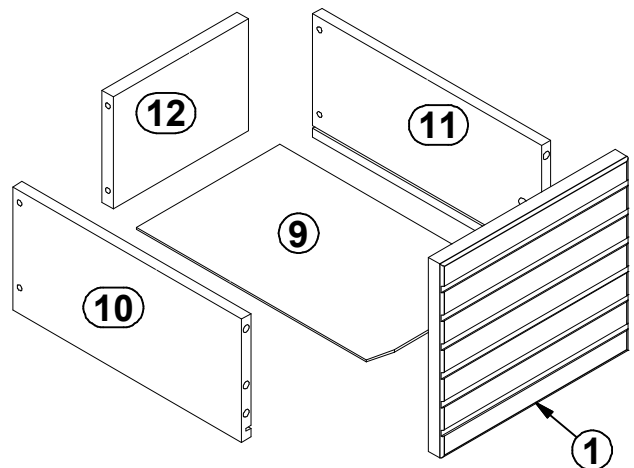
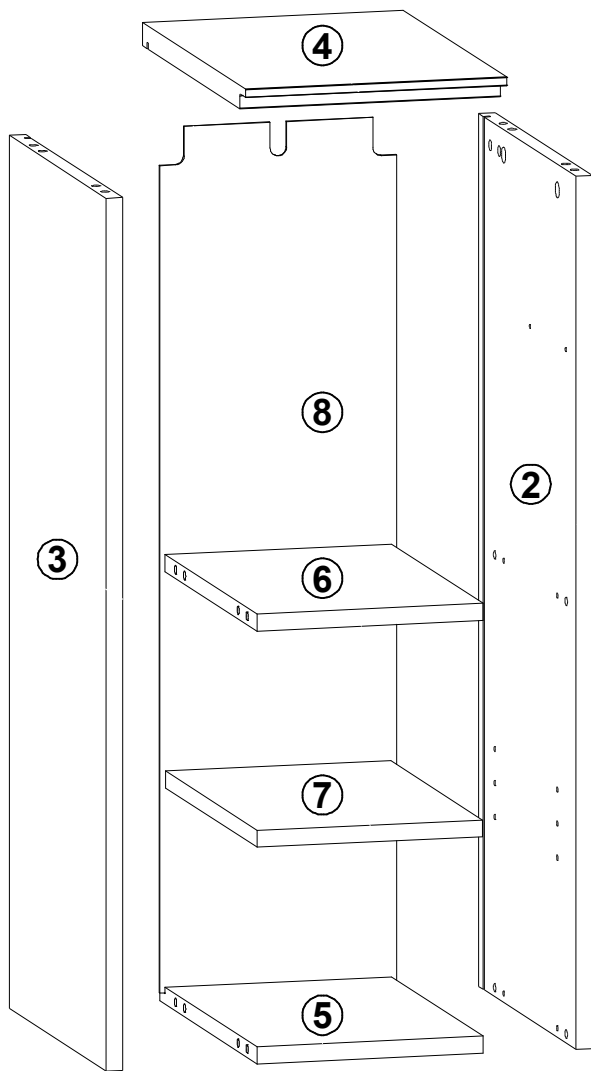
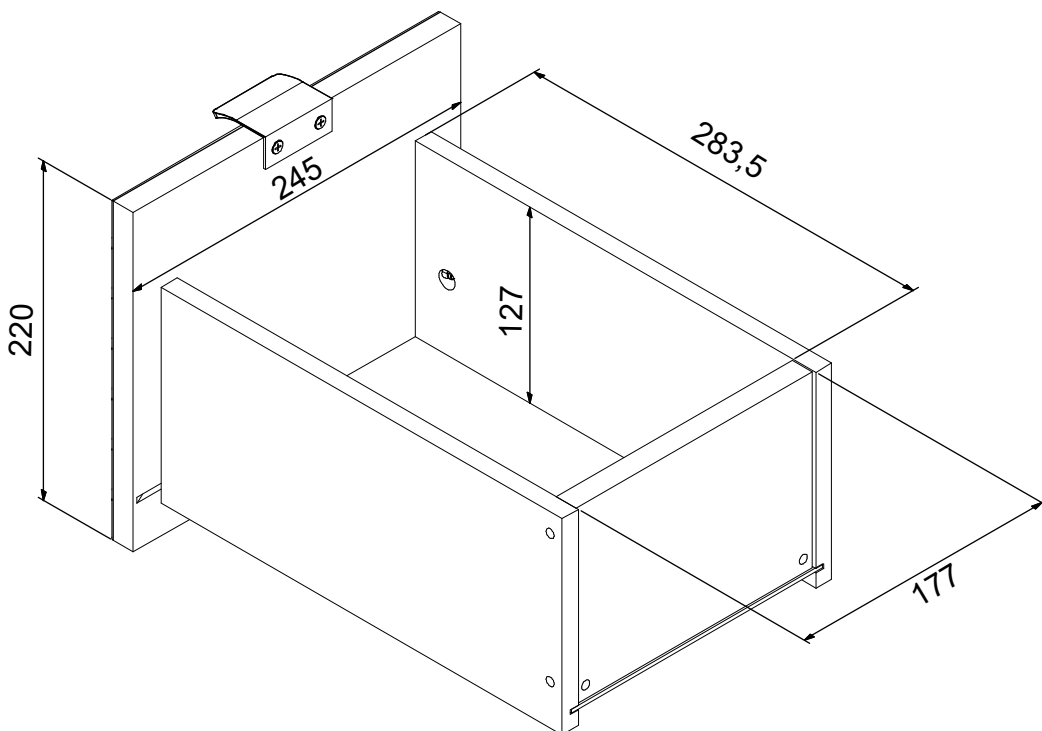
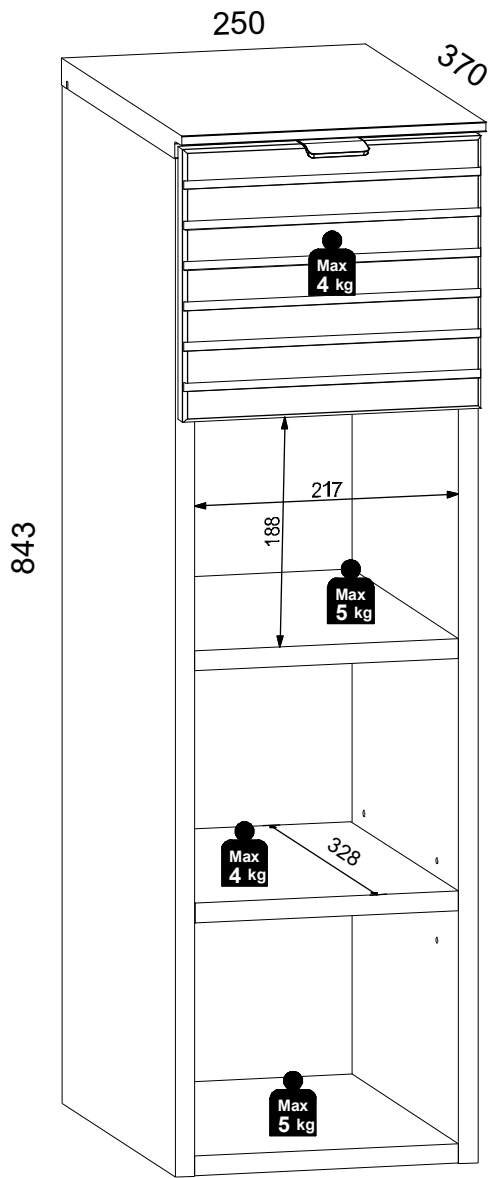




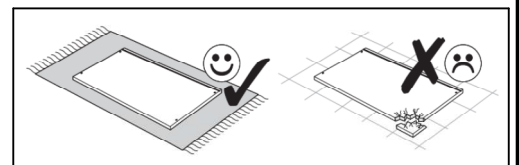
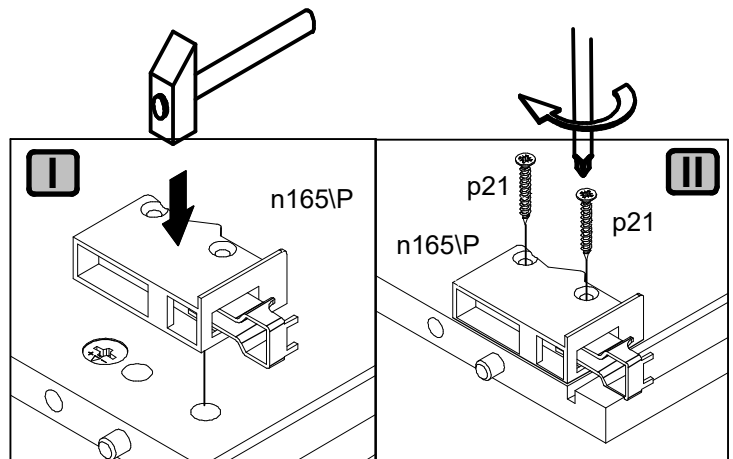
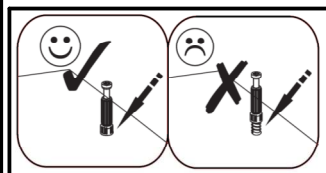
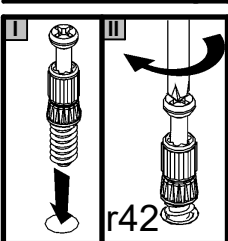
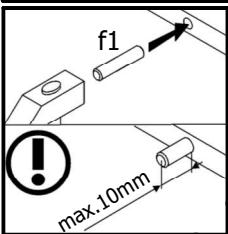
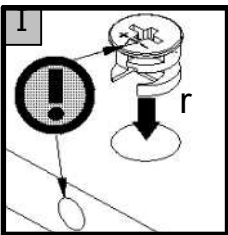
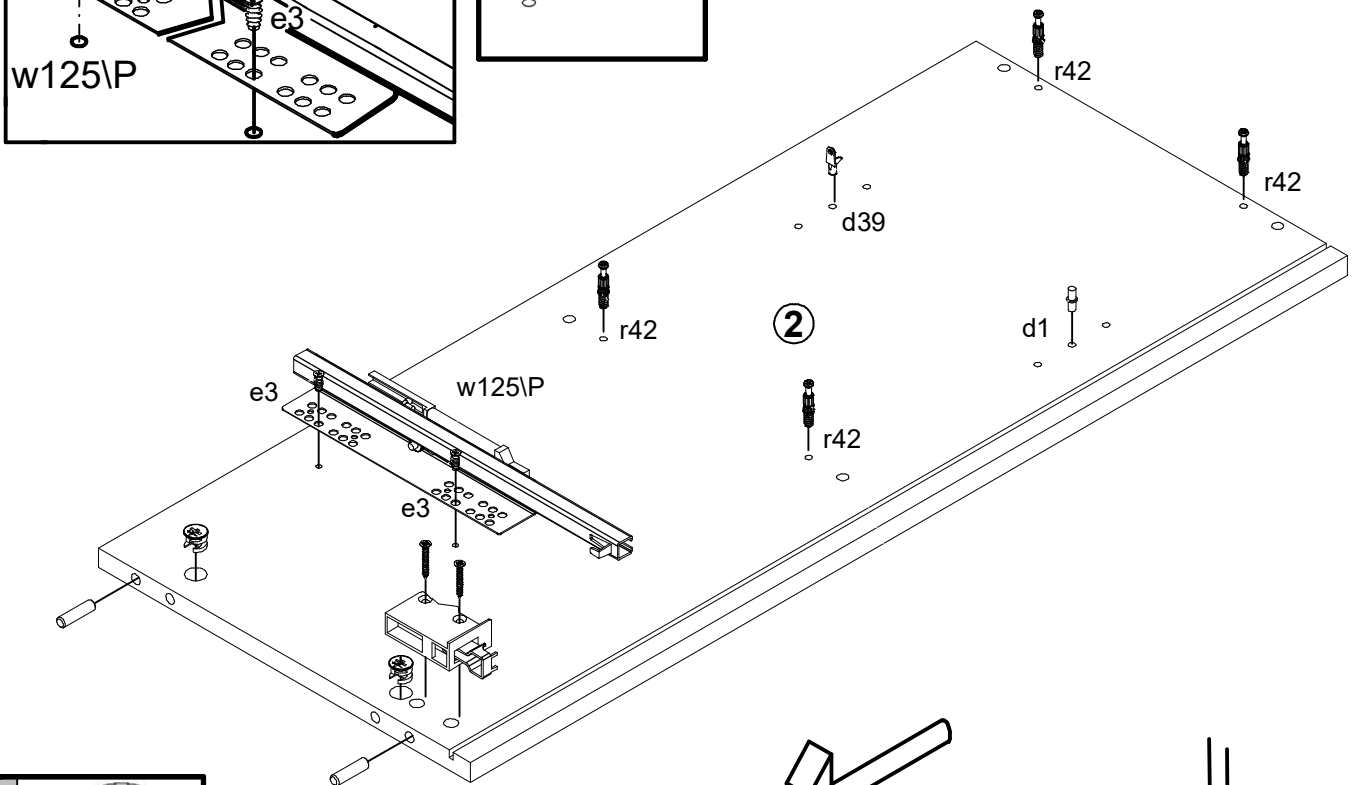
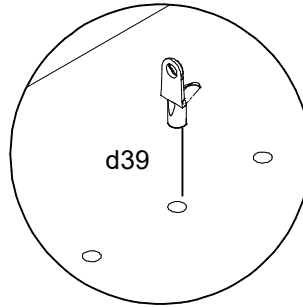
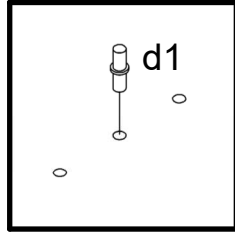
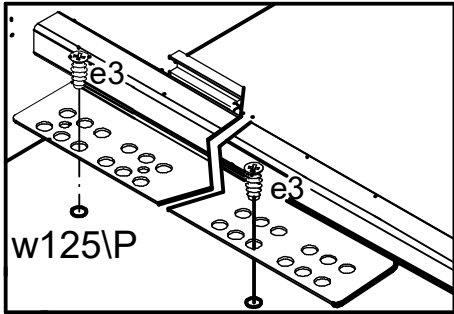
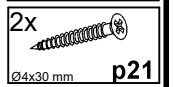
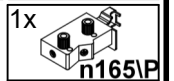
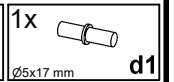
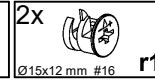
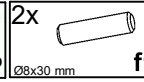
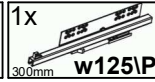
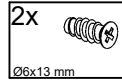
1x c496	2x ∅5x17 mm d1	4x ∅6x13 mm e3	16x ∅8x30 mm f1	4x ∅6.5x40 mm f25
2x ∅10x50 mm f35	4x l2	1x n165L	1x n165P	4x ∅4x30 mm p21
2x ∅3.5x15 mm p51	7x ∅2.9x16 mm p55	2x ∅6x80 mm p127	12x ∅15x12 mm #16 r1	2x ∅12x10.5 mm #12 r15
14x 20/11 r42	1x 300mm w125L	1x 300mm w125P	8x ∅ 20mm s68	2x d39
2x ∅2.5x13 mm p15				

A	B1	B2	C1	C2	C3	C4	D
1	M278-0005	-	245	220	18	1	1/1
2	M278-1005	-	821	348	16	1	1/1
3	M278-1006	-	821	348	16	1	1/1
4	M278-2003	-	250	370	22	1	1/1
5	M278-3007	-	217	348	16	1	1/1
6	M278-3008	-	217	328	16	1	1/1
7	M278-3009	-	216	328	16	1	1/1
8	M278-9001	-	814	227	2,5	1	1/1
9	WSP-9626	-	188	308	2,5	1	1/1
10	WSQ3-5003	-	300	140	12	1	1/1
11	WSQ3-5004	-	300	140	12	1	1/1
12	ZQ6-5447	-	177	127	15	1	1/1



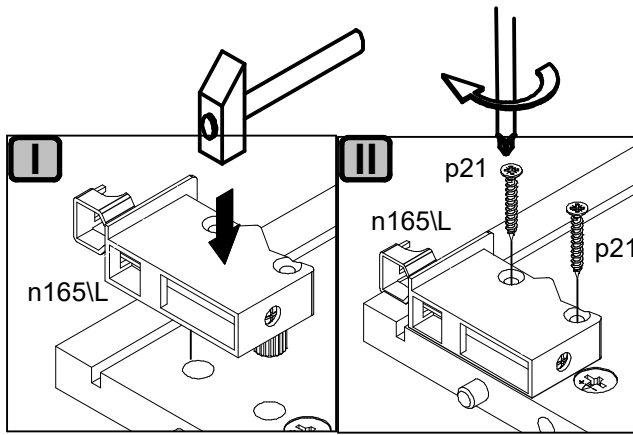


1 ▶

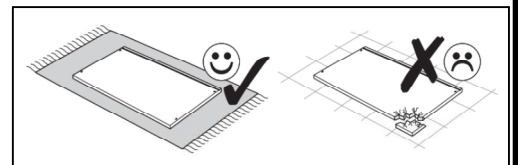
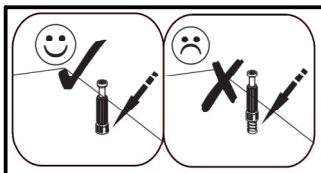
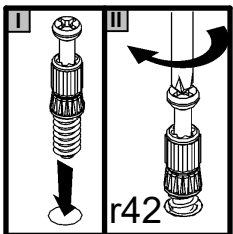
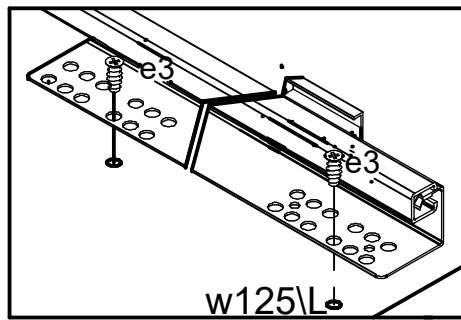
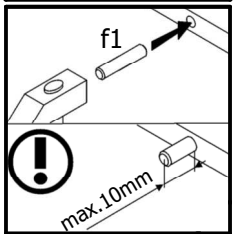
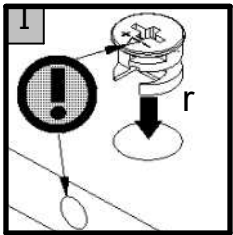
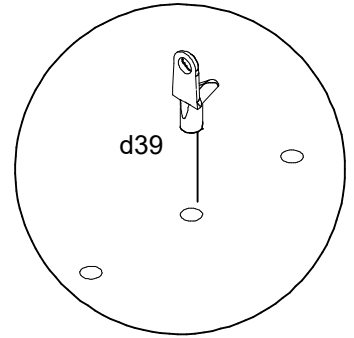
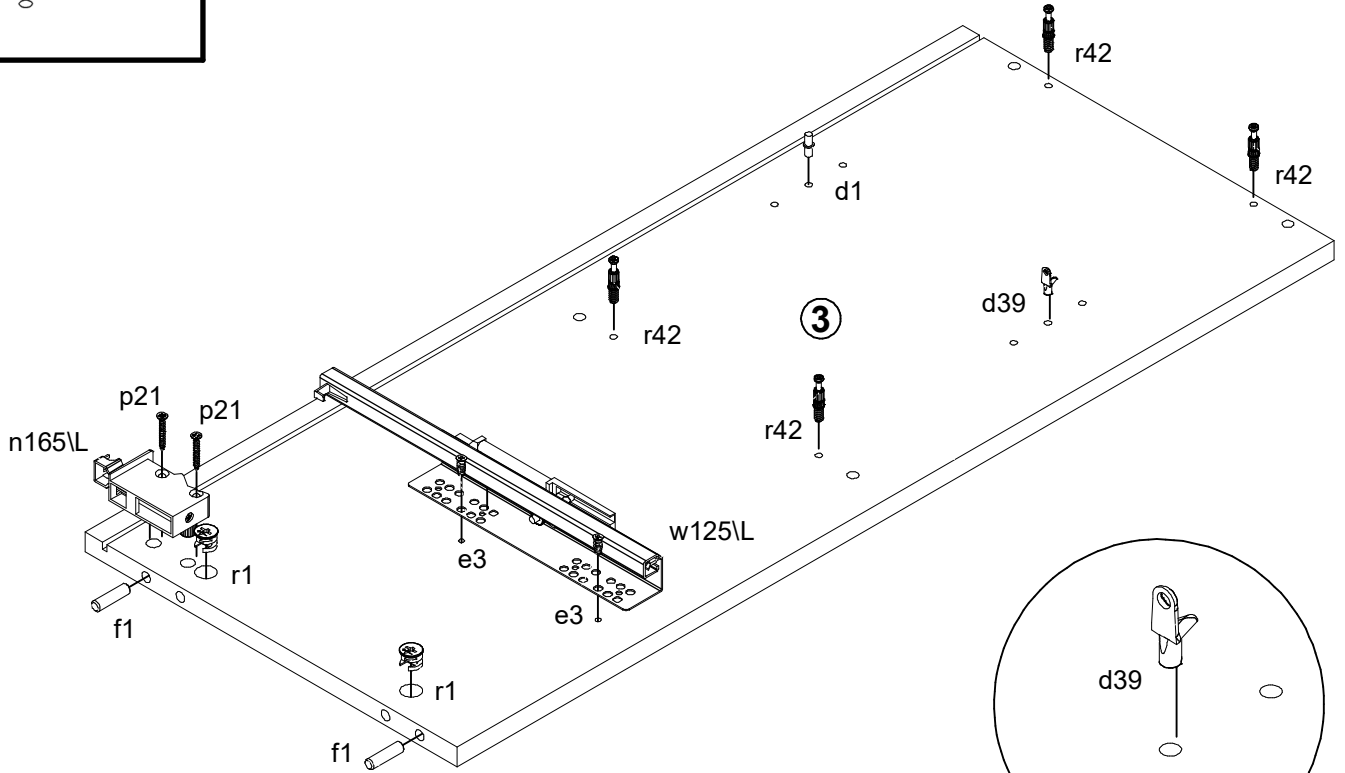
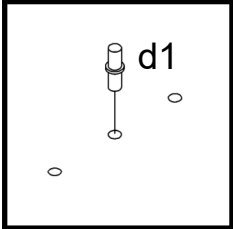


2x Ø6x13 mm e3	1x 300mm w125\L	2x Ø8x30 mm f1	2x Ø15x12 mm #16 r1	4x 20/11 r42
----------------------	-----------------------	----------------------	---------------------------	--------------------

2 ▶

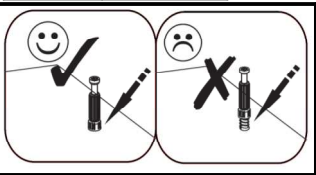
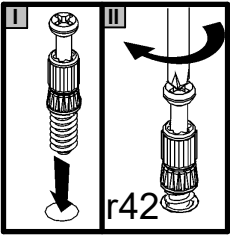
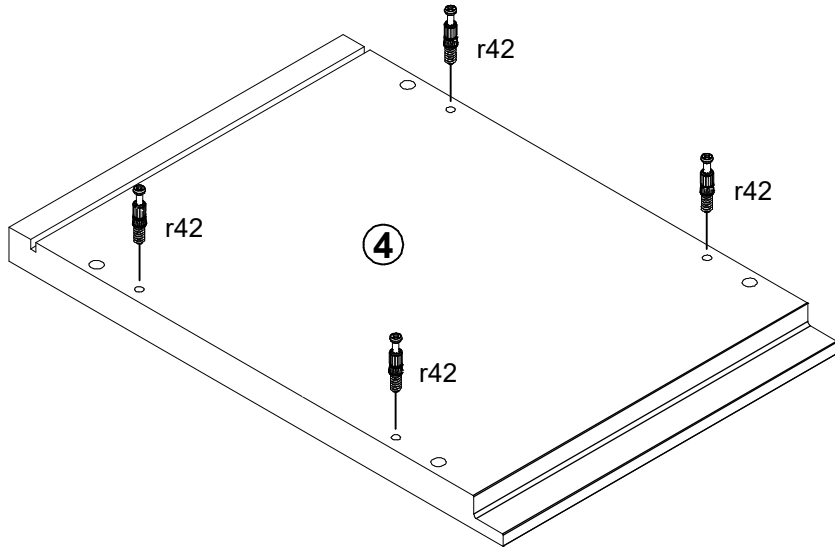


1x Ø5x17 mm d1
1x n165\L
2x Ø4x30 mm p21
1x d39

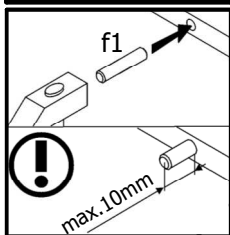
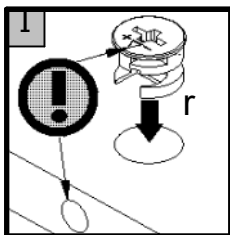
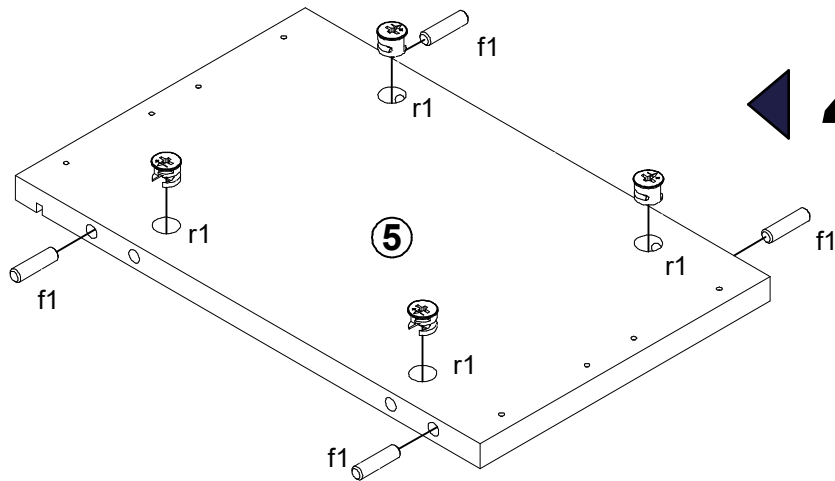


4x 20/11 r42	8x Ø8x30 mm f1	8x Ø15x12 mm #16 r1
--------------------	----------------------	---------------------------

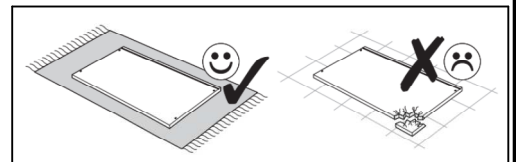
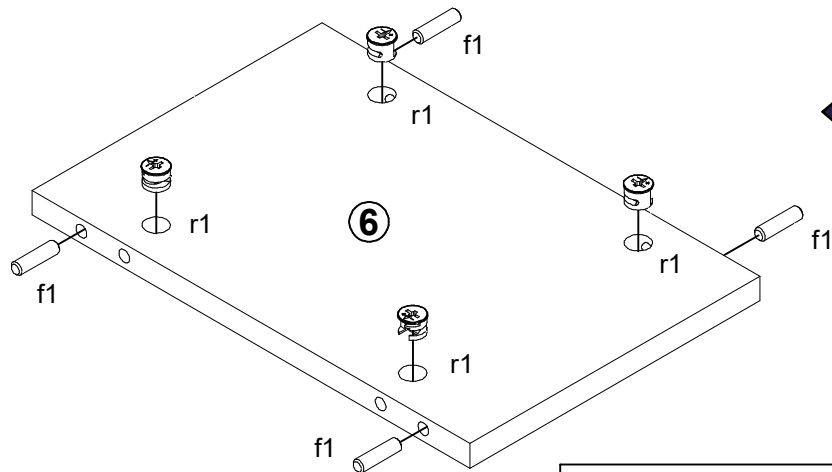
3 ▶



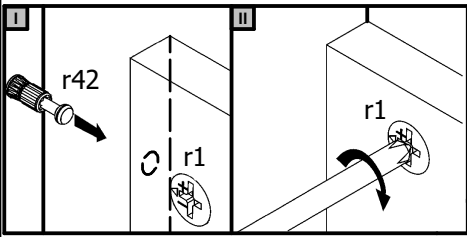
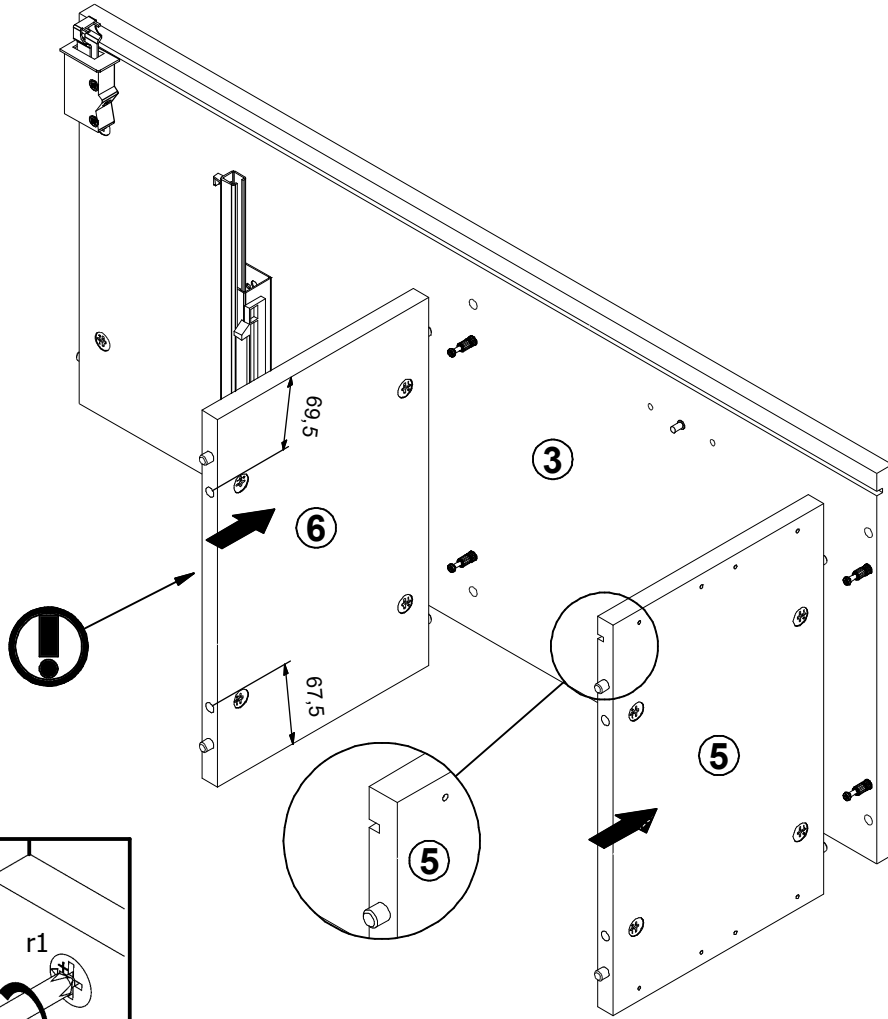
◀ 4



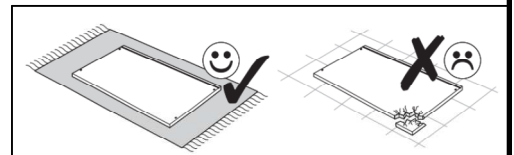
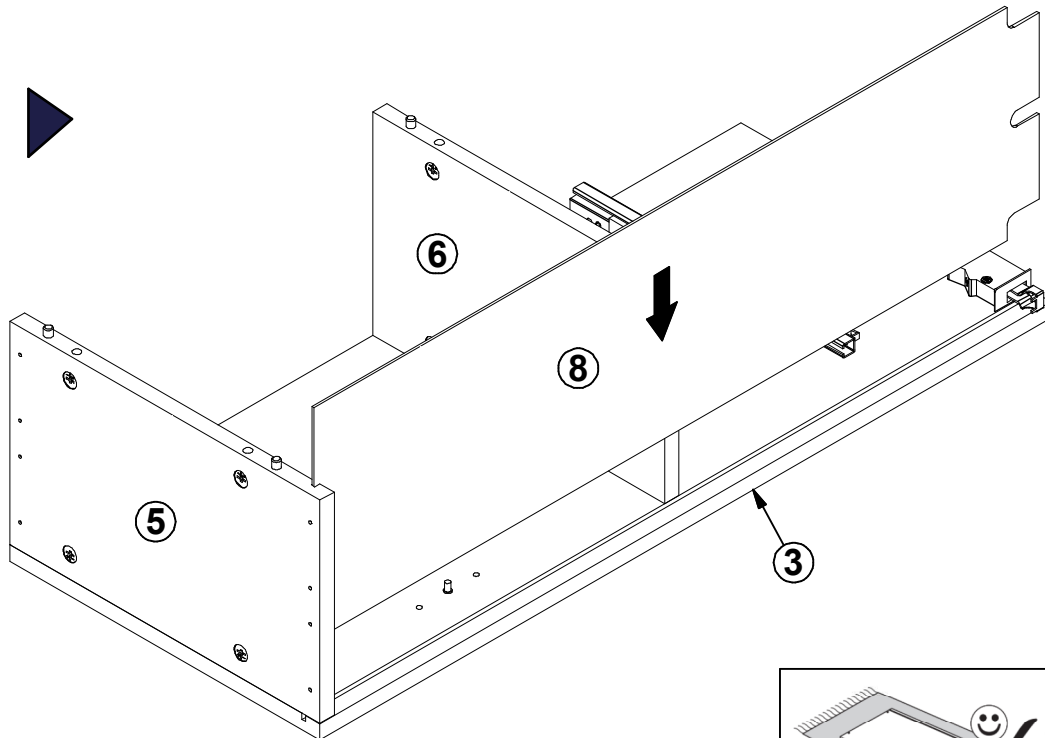
◀ 5



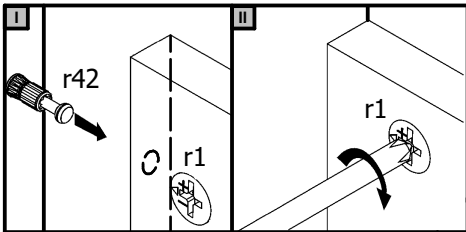
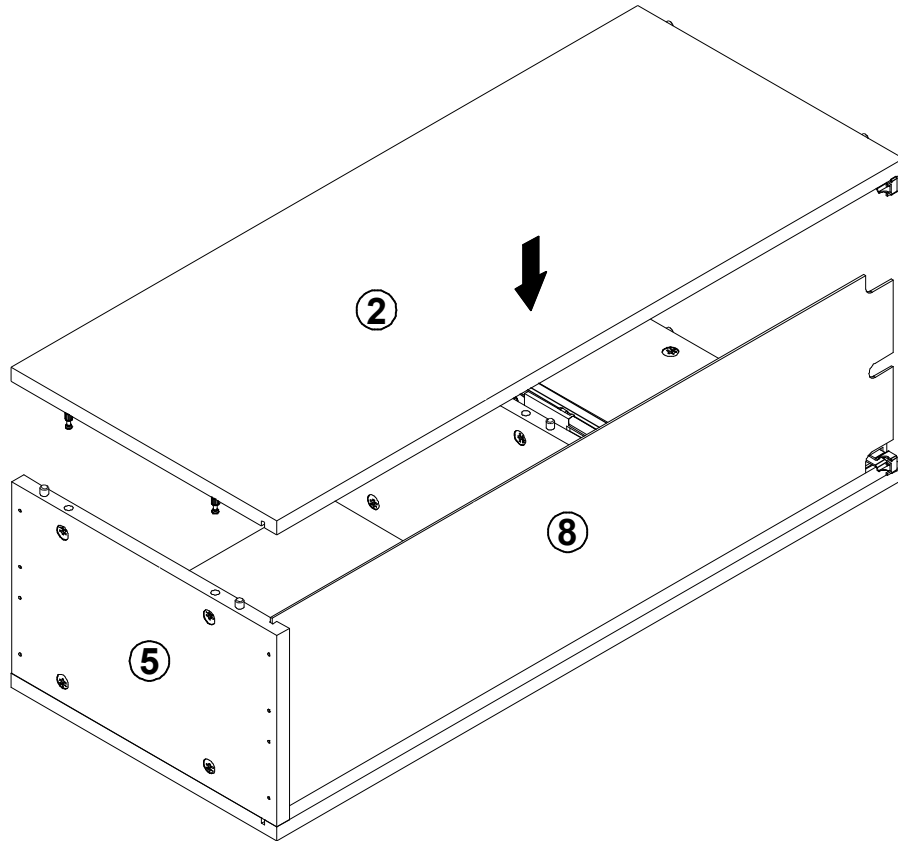
6 ▶



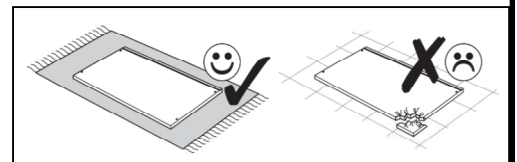
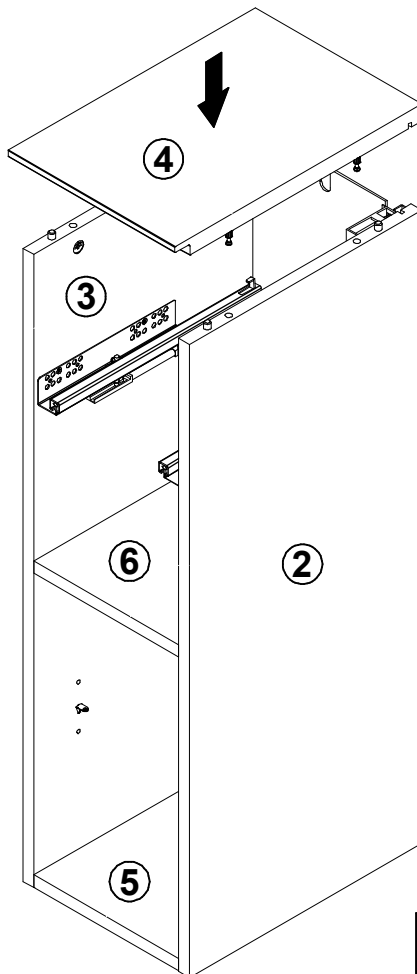
7 ▶

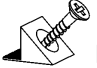
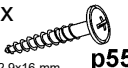


8 ▶

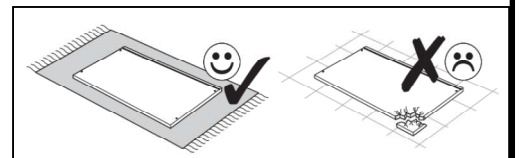
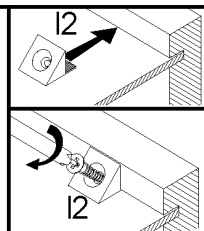
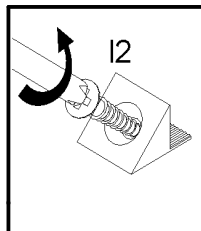
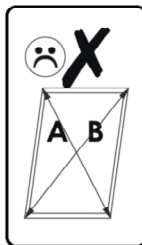
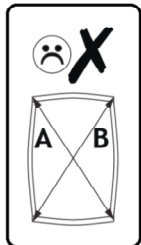
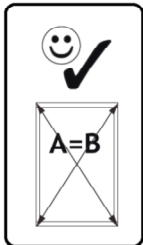
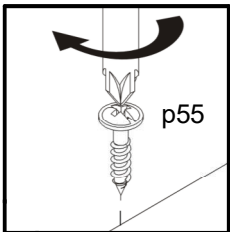
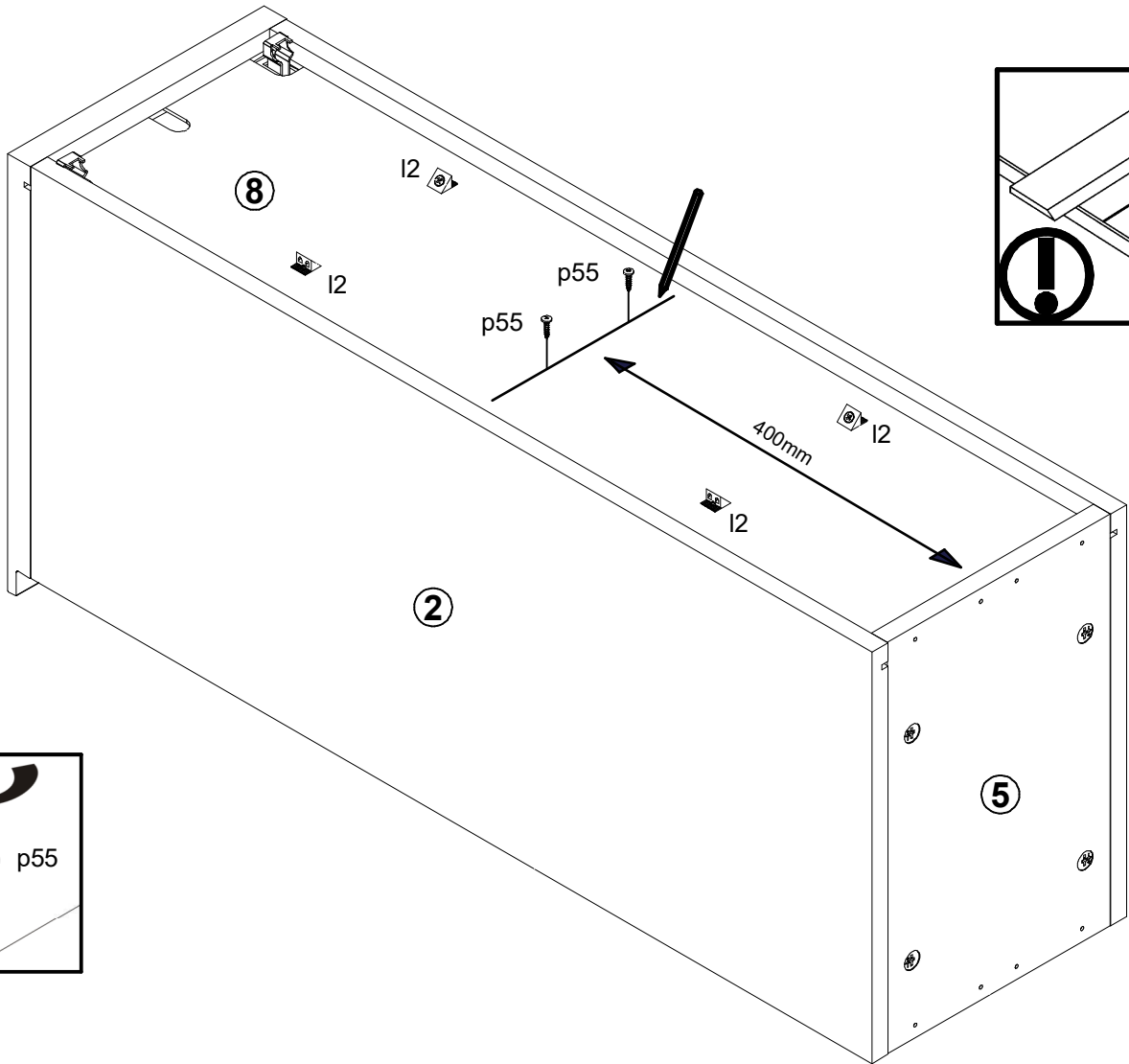


9 ▶

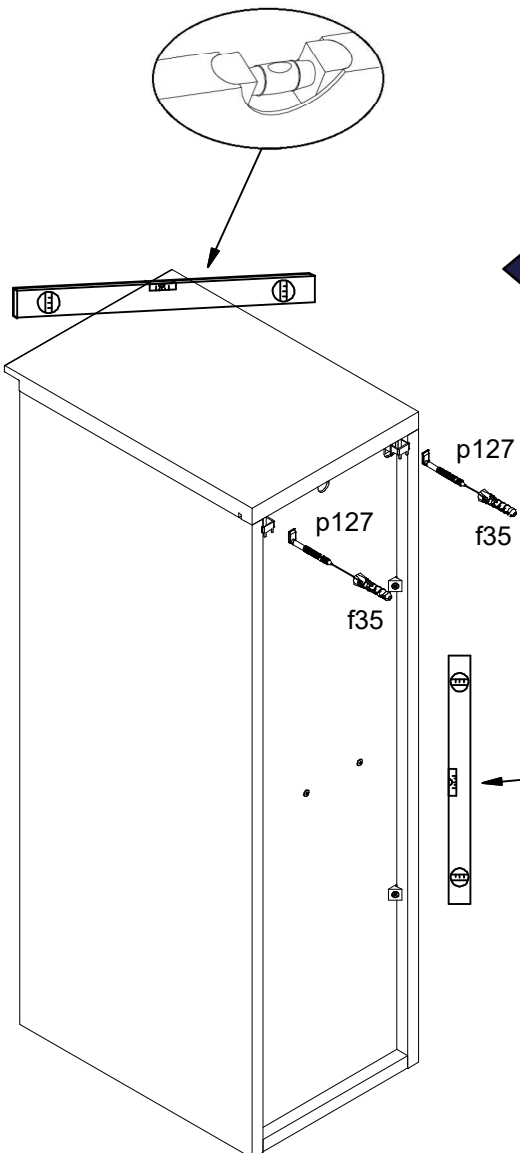
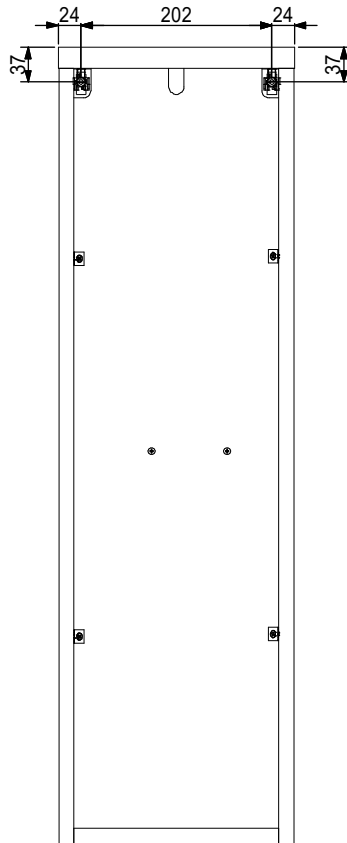


- 4x  I2
- 2x  p55
Ø2.9x16 mm

10 ▶



11 ▶



▶ 12

	$\varnothing 10$ mm 	f35 	f35 	f35
--	-------------------------	---------	---------	---------

	n165P 	n165P 	p127 	
--	-----------	-----------	----------	--

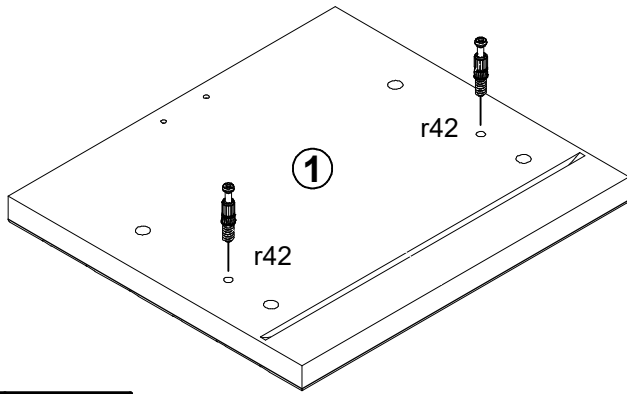
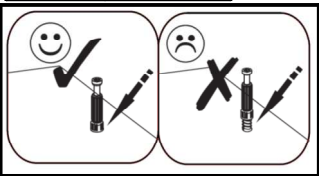
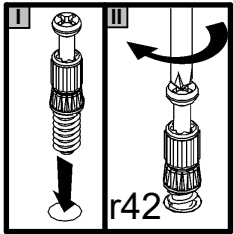
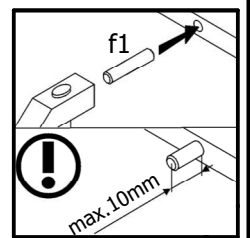
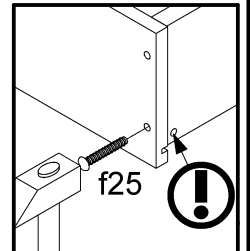
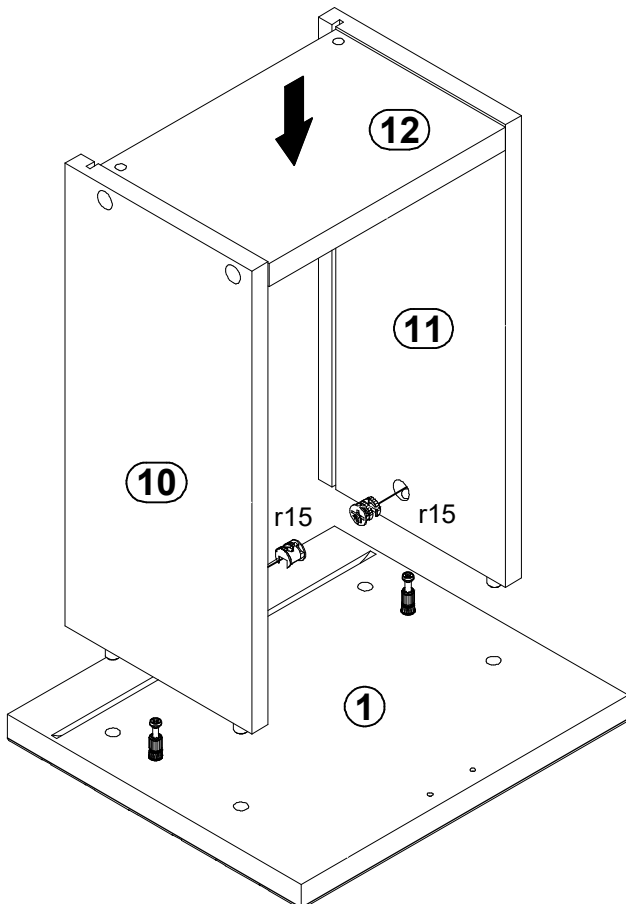
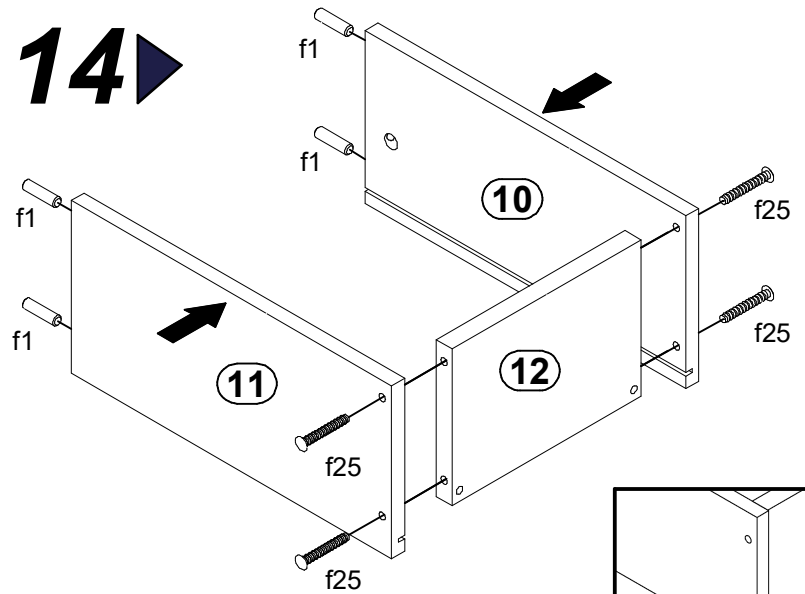
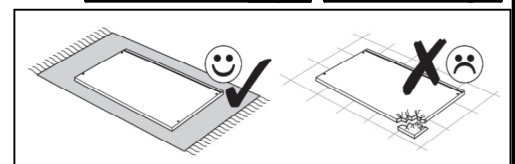
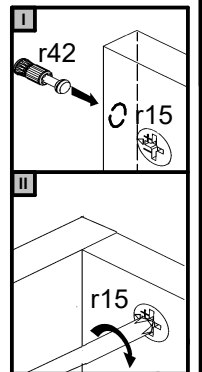
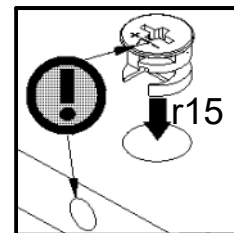
--	--	--

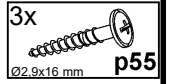
	p127 ✓ 	p127
--	------------	----------

	n165 	n165
--	----------	----------

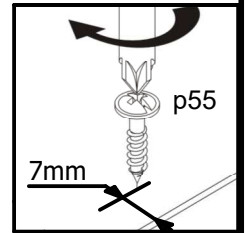
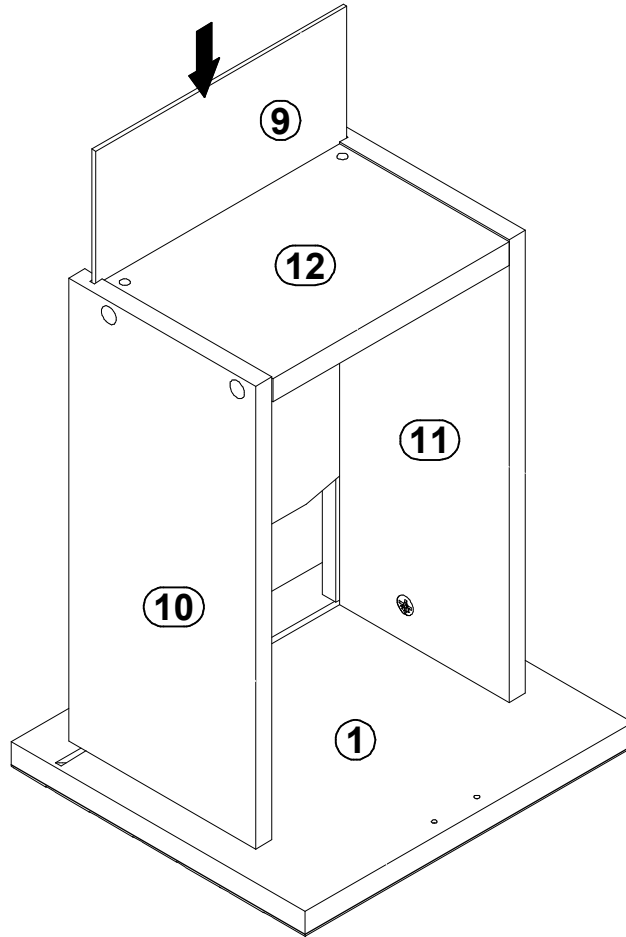
A**M278-SFW1S****30 H8 99 25**

11 / 13

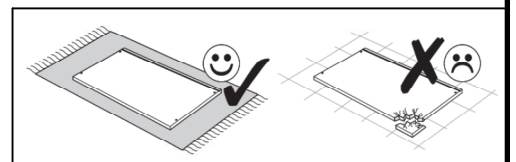
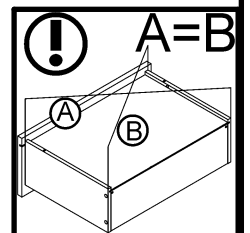
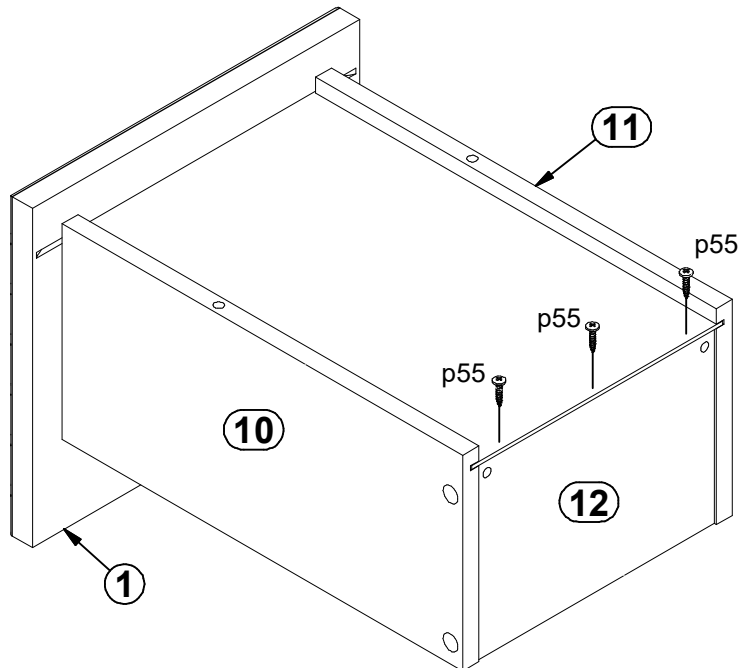
2x
Ø12x10,5 mm #12 r152x
20/11 r424x
Ø6,5x40 mm f254x
Ø8x30 mm f1**13****14****15**




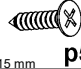
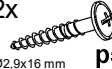
16 ▶

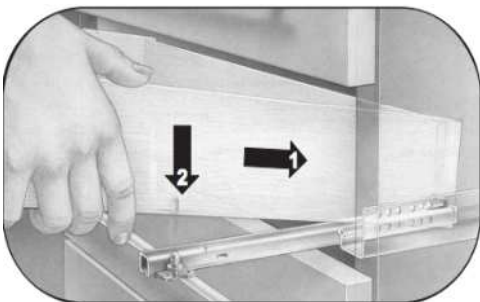
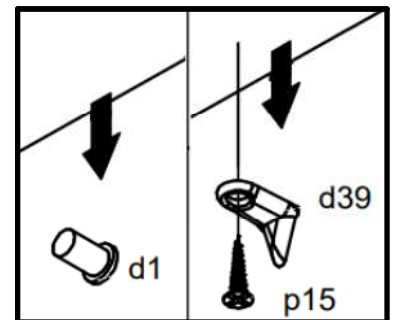
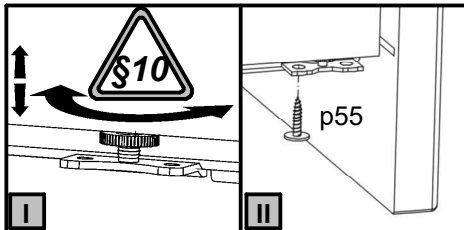
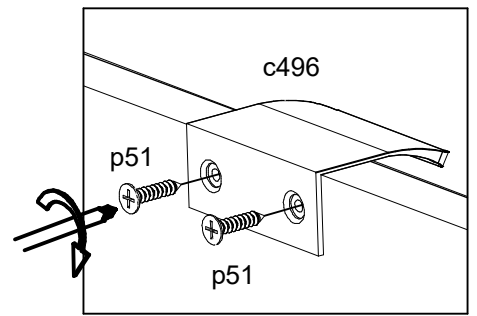
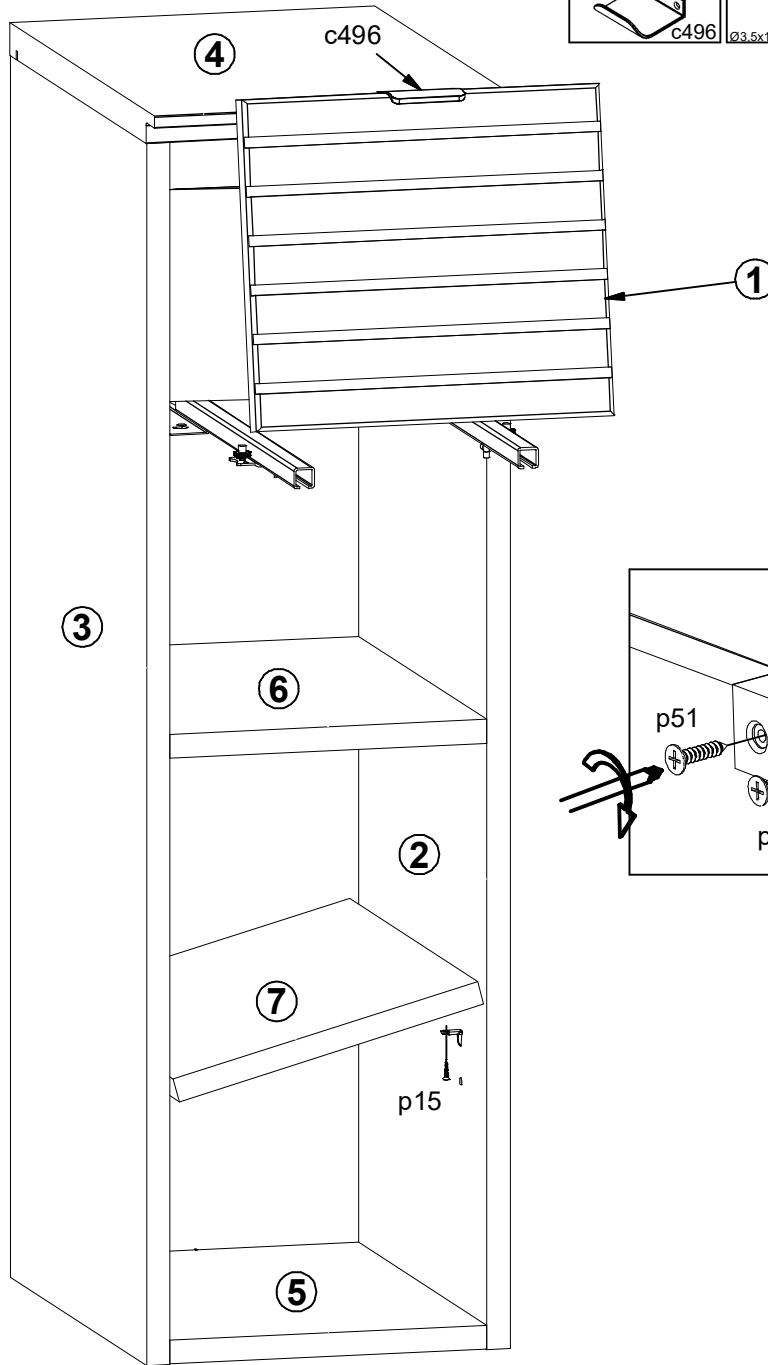


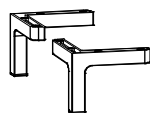
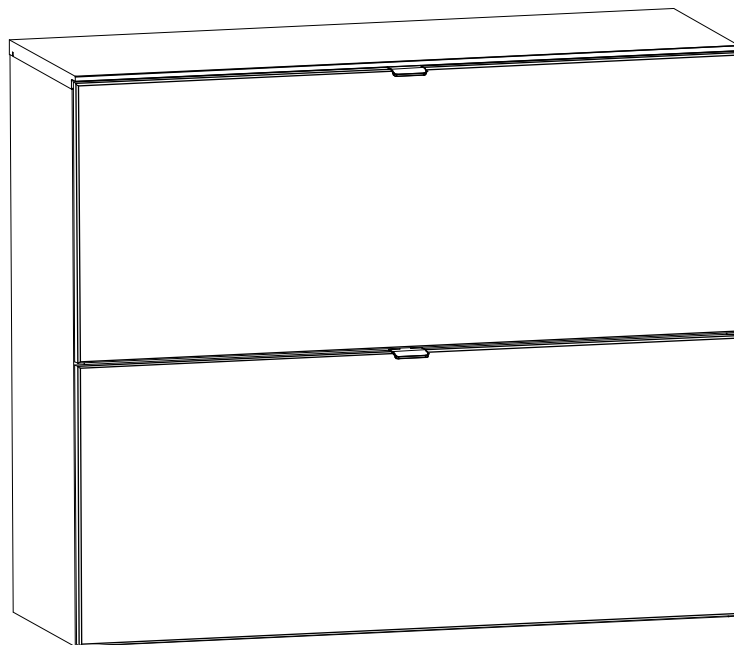
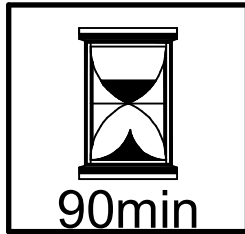
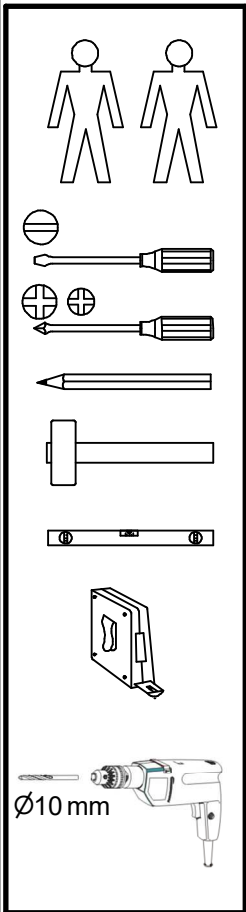
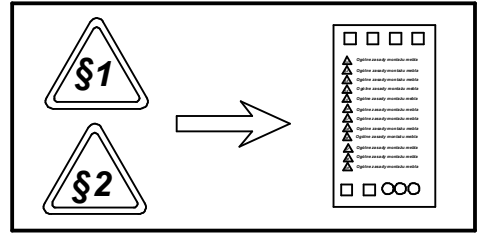
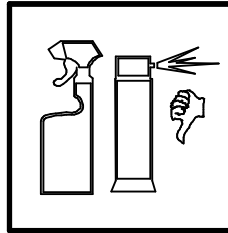
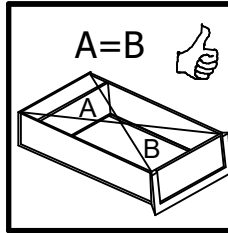
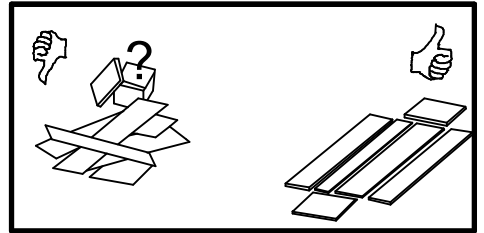
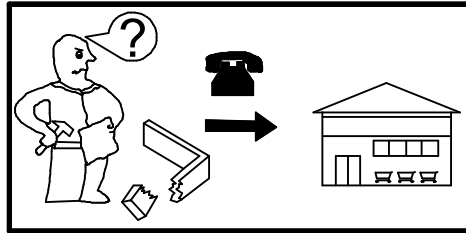
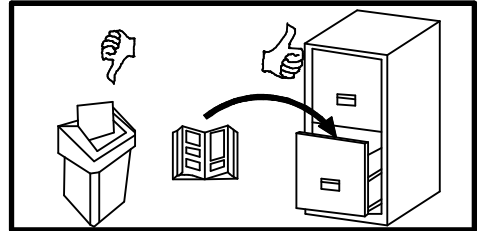
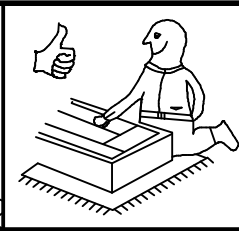
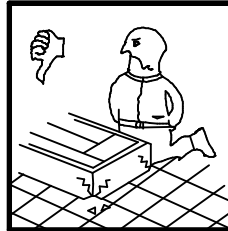
17 ▶



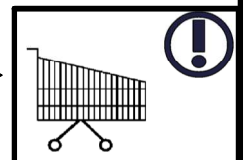
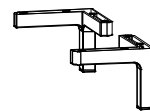
18 ▶

- 1x  c496
- 2x  p51 Ø3.5x15 mm
- 2x  p55 Ø2.9x16 mm



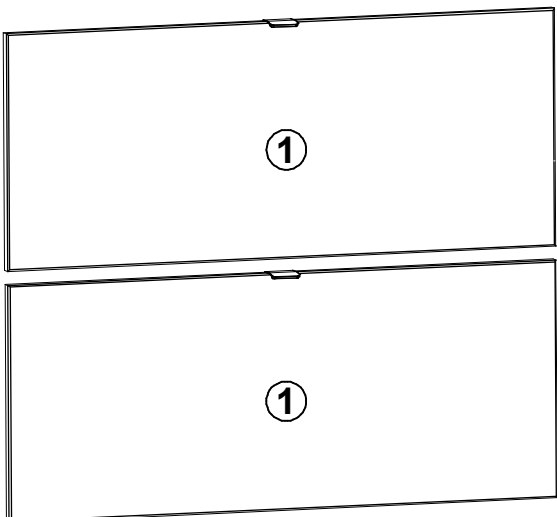
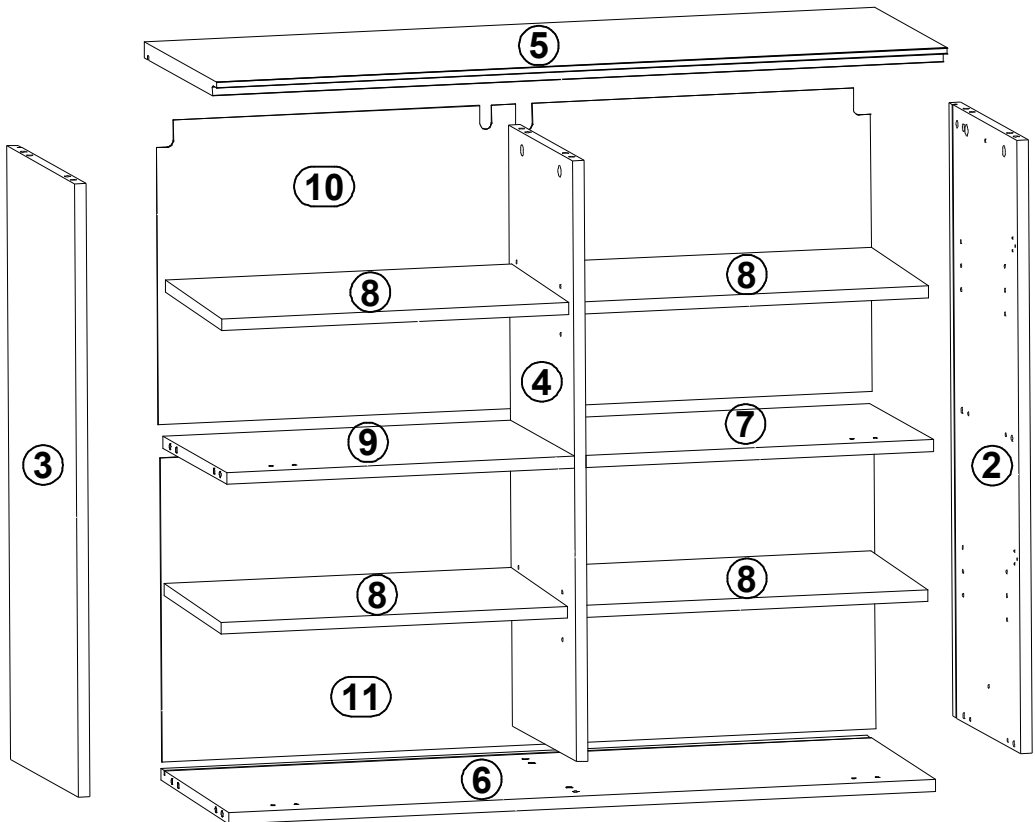
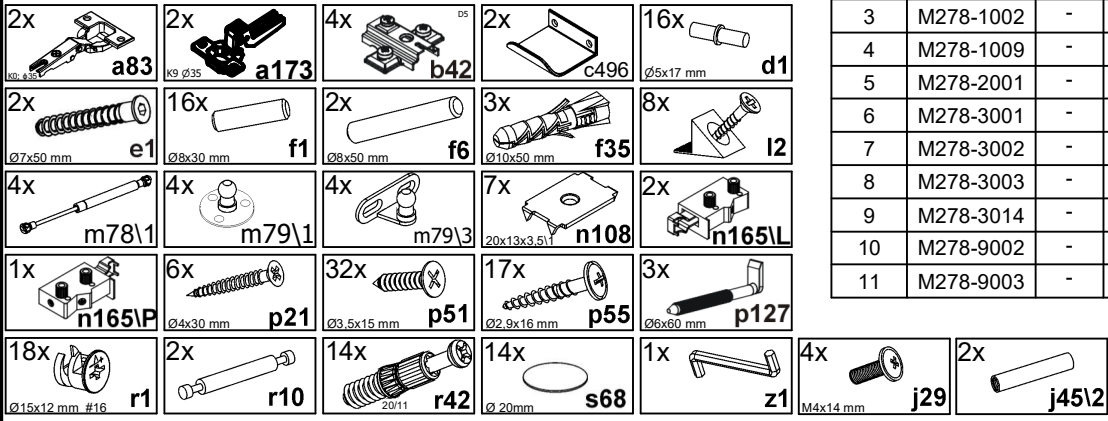


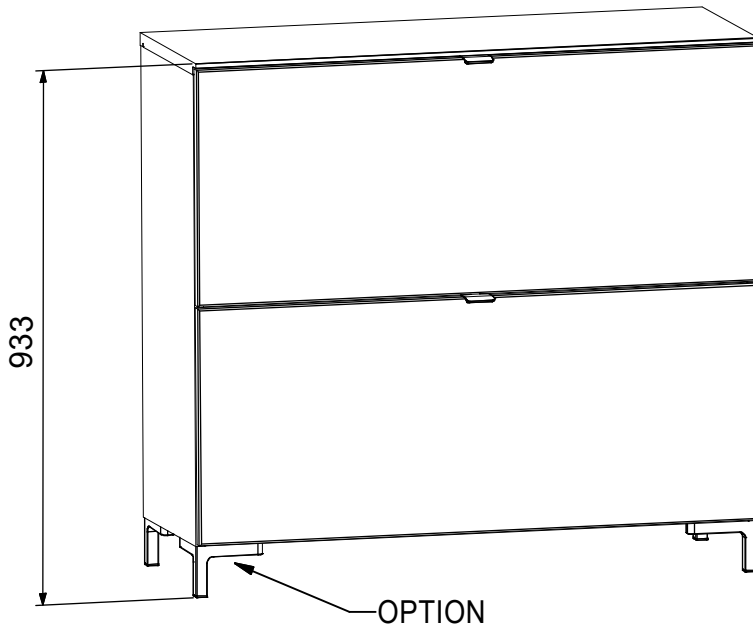
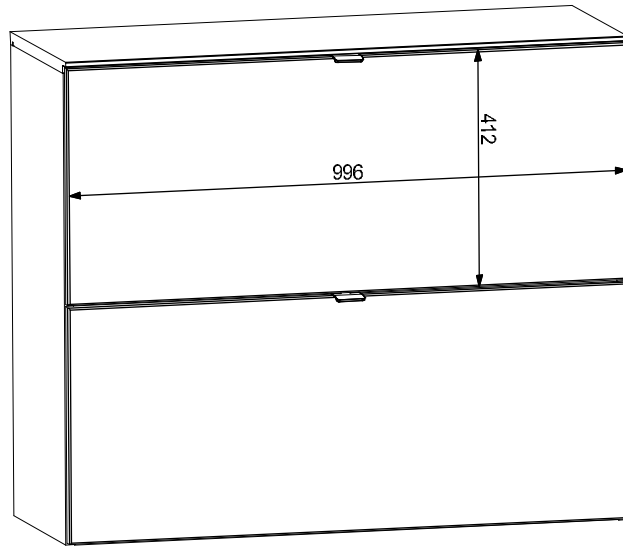
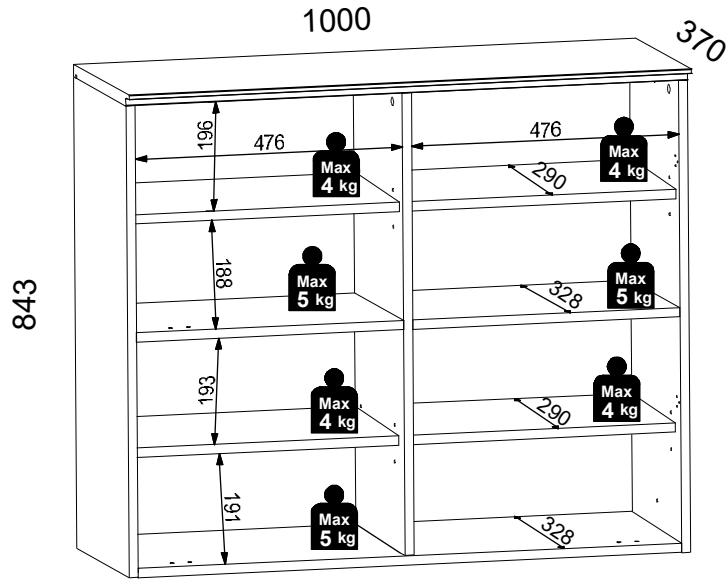
OPTION
99 03 01 95





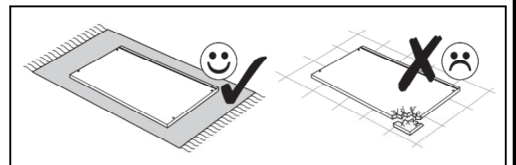
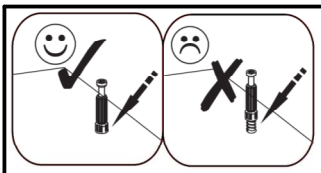
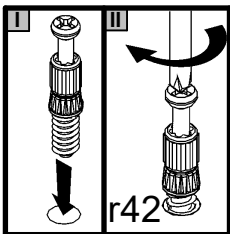
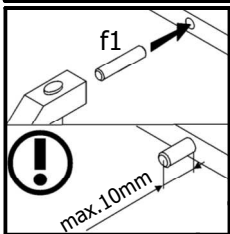
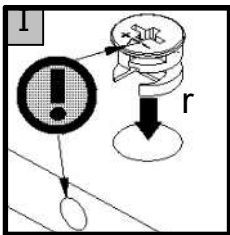
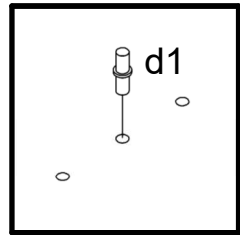
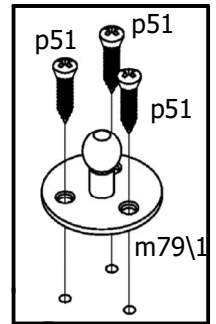
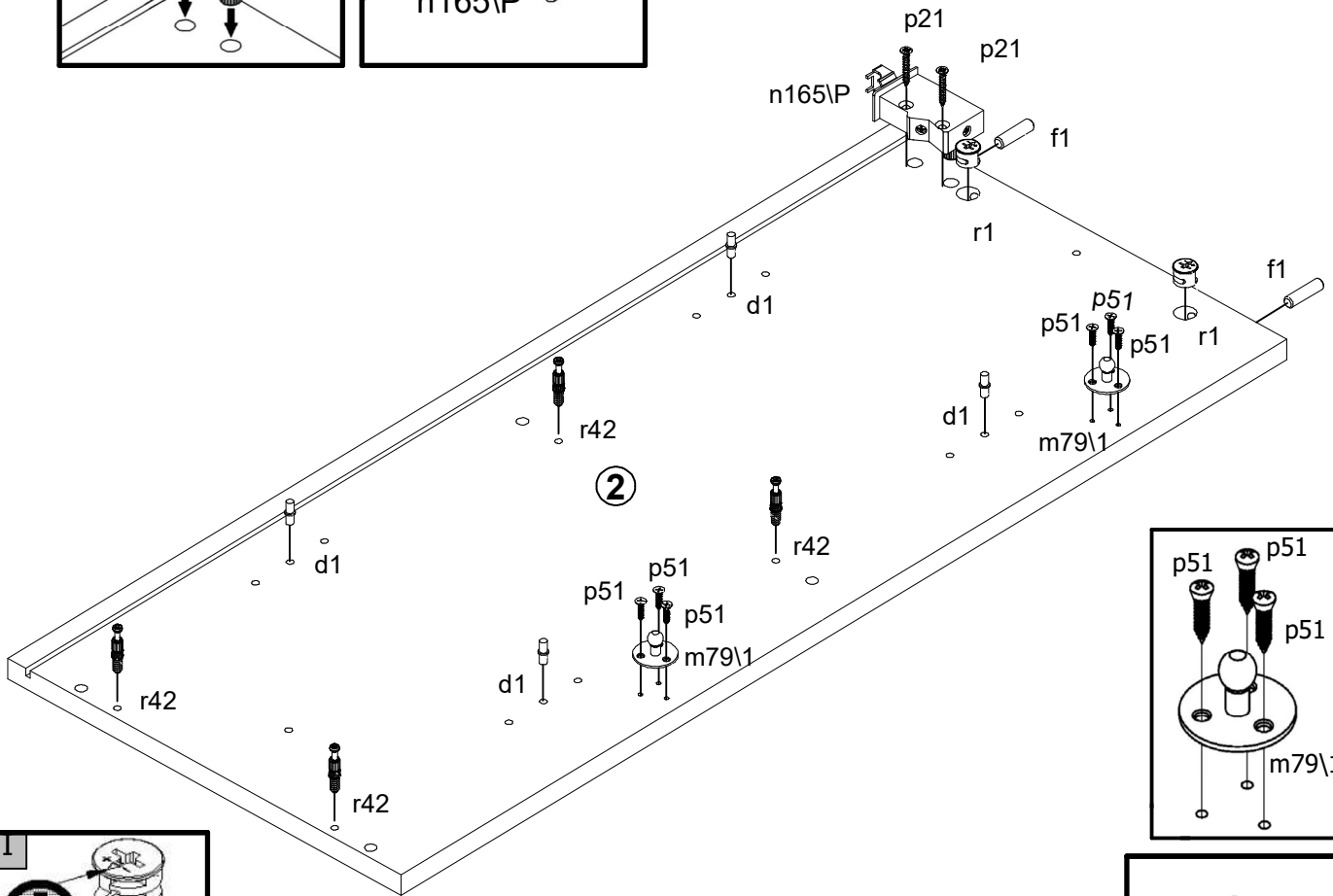
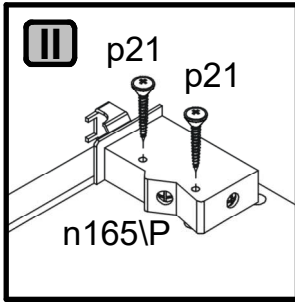
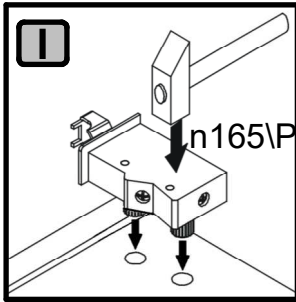
A	B1	B2	C1	C2	C3	C4	D
1	M278-0001	-	996	412	18	2	2/2
2	M278-1001	-	821	348	16	1	1/2
3	M278-1002	-	821	348	16	1	1/2
4	M278-1009	-	804,5	328	16	1	2/2
5	M278-2001	-	1001	370	22	1	1/2
6	M278-3001	-	968	348	16	1	1/2
7	M278-3002	-	476	328	16	1	1/2
8	M278-3003	-	475	290	16	4	1/2
9	M278-3014	-	476	328	16	1	1/2
10	M278-9002	-	978	407	2,5	1	2/2
11	M278-9003	-	978	407	2,5	1	2/2





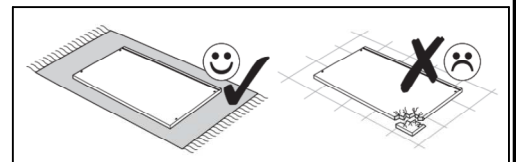
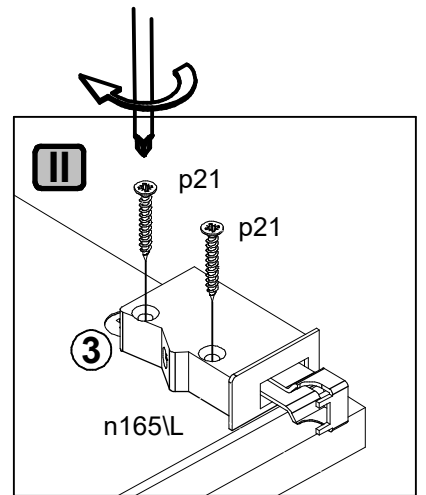
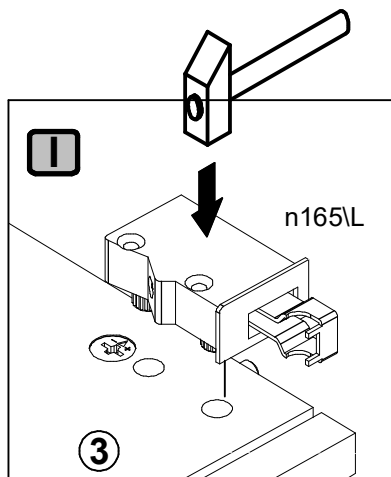
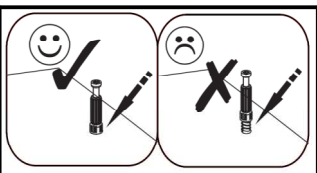
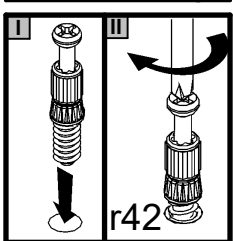
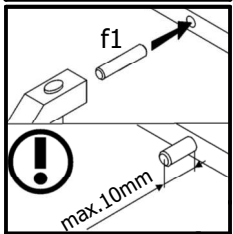
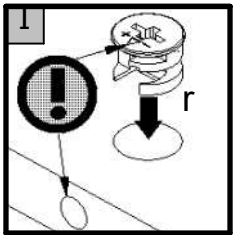
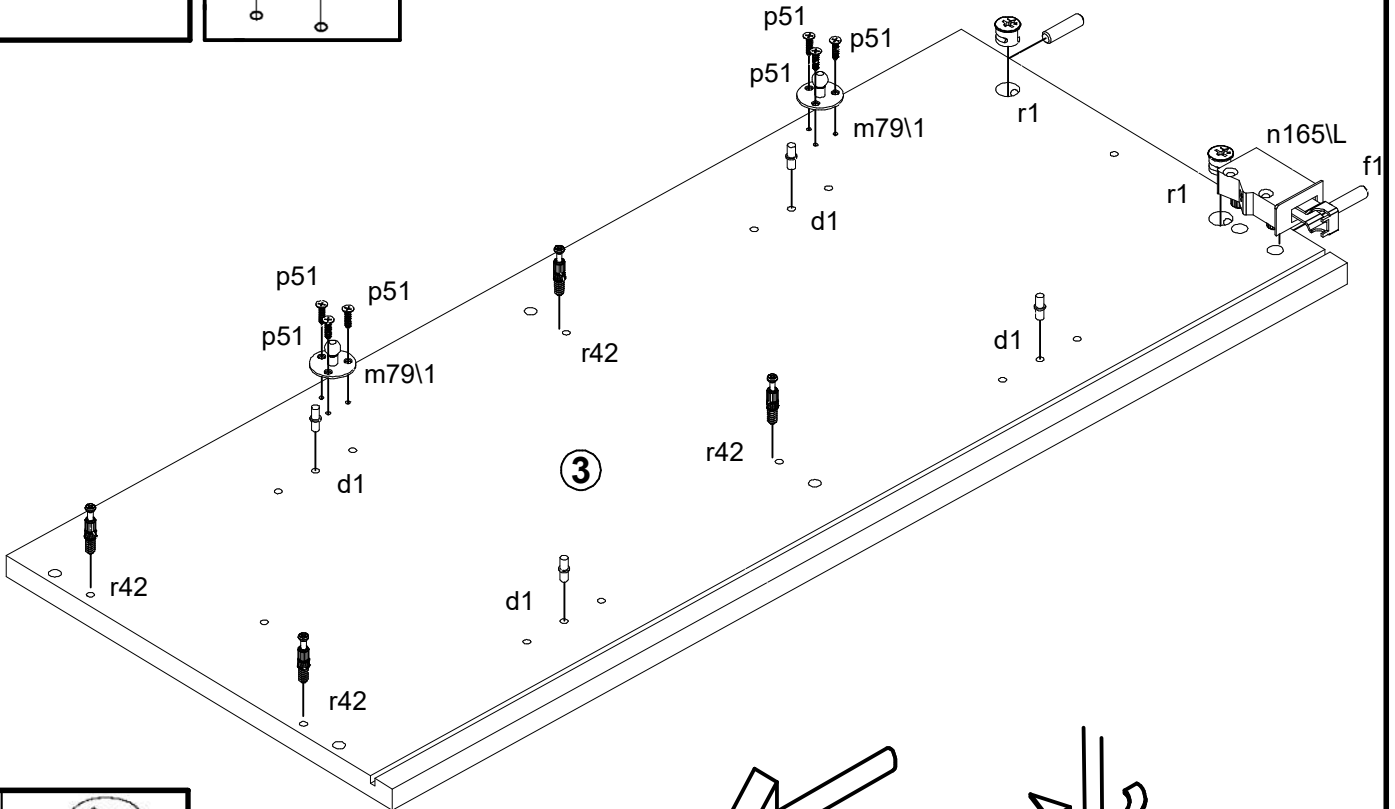
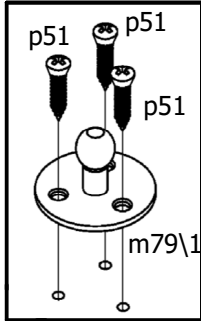
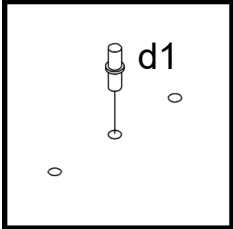
1 ▶

- 2x $\varnothing 8 \times 30$ mm f1
- 2x $\varnothing 15 \times 12$ mm #16 r1
- 4x 20/11 r42
- 2x m79\1
- 6x $\varnothing 3.5 \times 15$ mm p51
- 4x $\varnothing 5 \times 17$ mm d1
- 1x n165\P
- 2x $\varnothing 4 \times 30$ mm p21



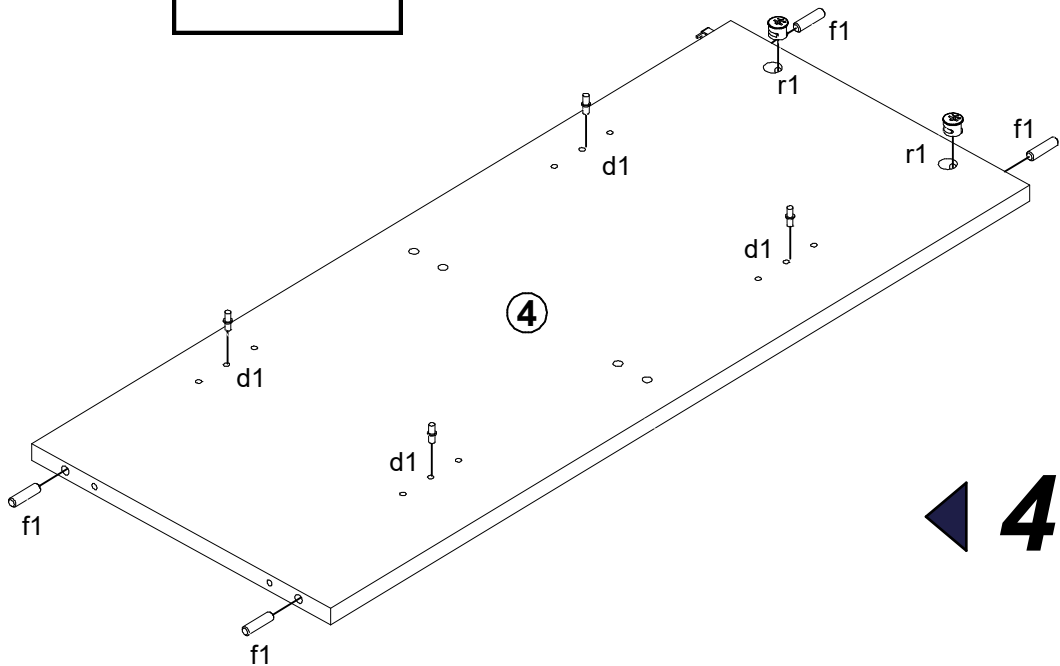
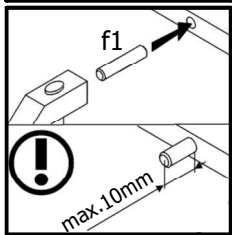
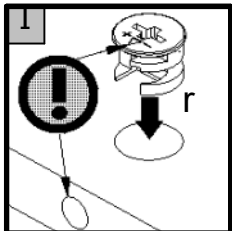
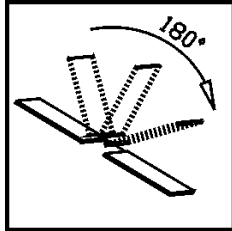
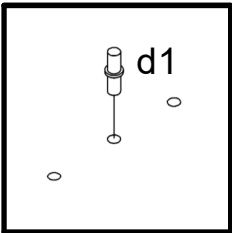
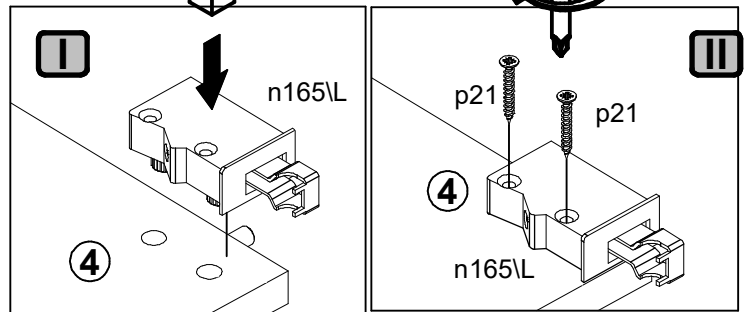
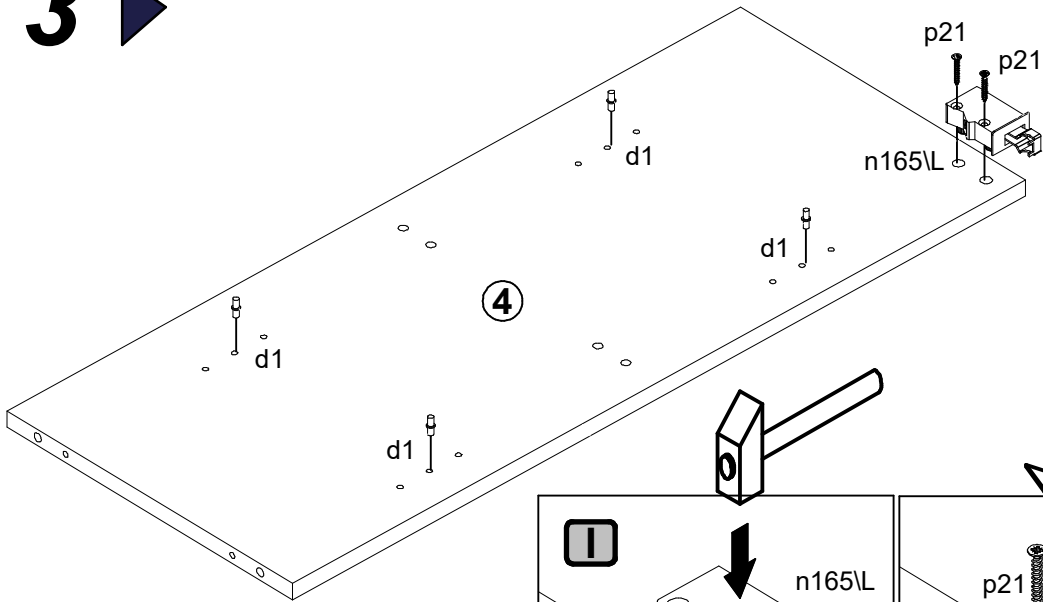
2 ▶

- 2x $\varnothing 8 \times 30$ mm f1
- 2x $\varnothing 15 \times 12$ mm #16 r1
- 4x 20/11 r42
- 2x m79\1
- 6x $\varnothing 3.5 \times 15$ mm p51
- 4x $\varnothing 5 \times 17$ mm d1
- 1x n165\L
- 2x $\varnothing 4 \times 30$ mm p21

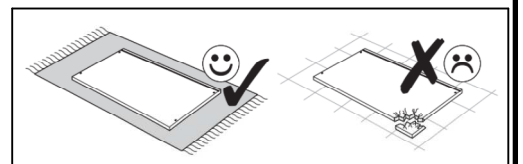


4X Ø8x30 mm f1	2x Ø15x12 mm #16 r1	1x n165L	8X Ø5x17 mm d1
			2x Ø4x30 mm p21

3 ▶

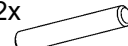



▶ 4




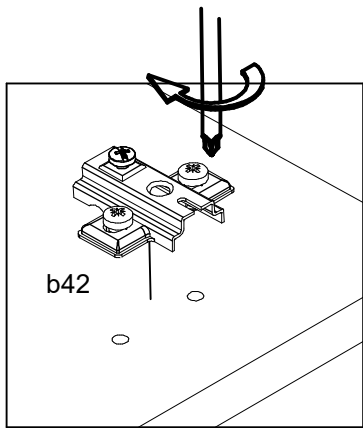
5 ▶

2x  f1
Ø8x30 mm

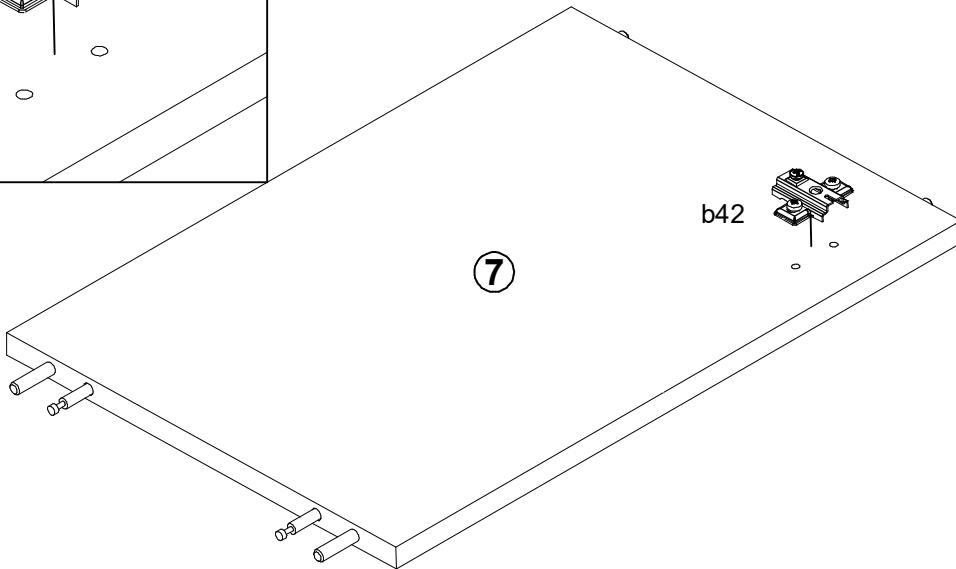
2x  f6
Ø8x50 mm

1x  b42

4x  r1
Ø15x12 mm #16

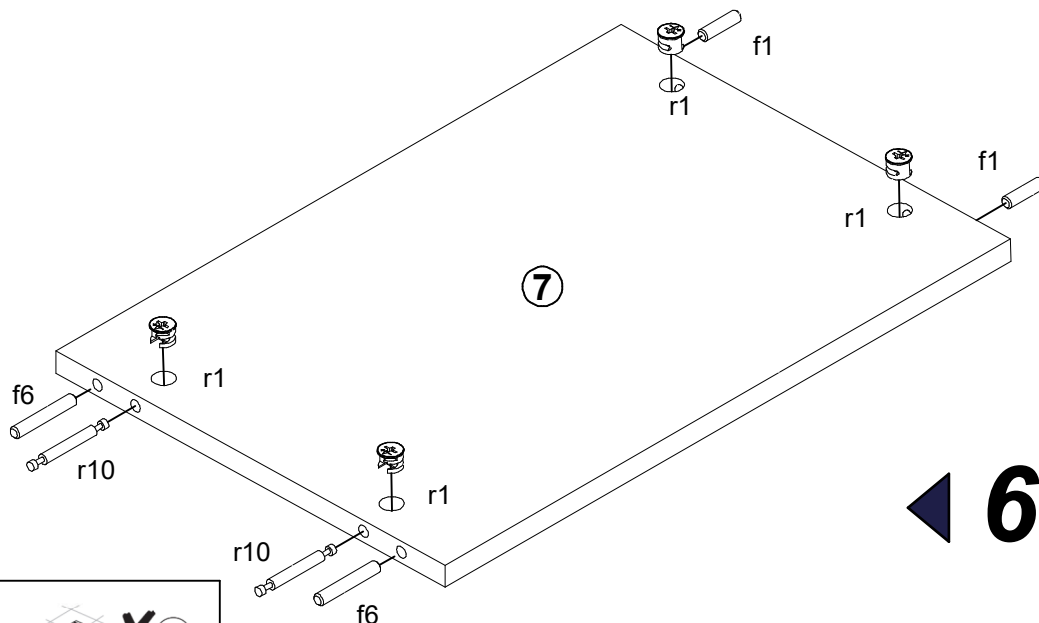
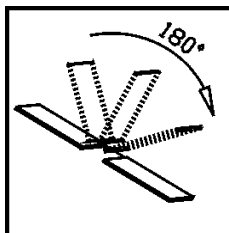
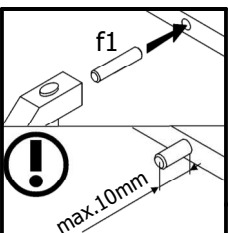
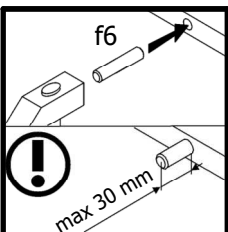
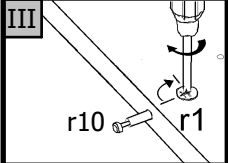
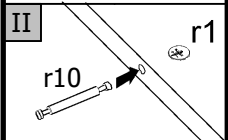
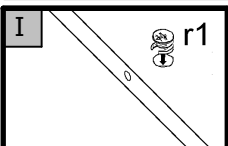
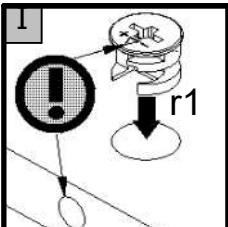


b42



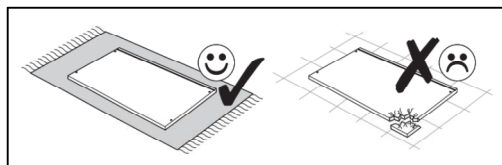
b42

7

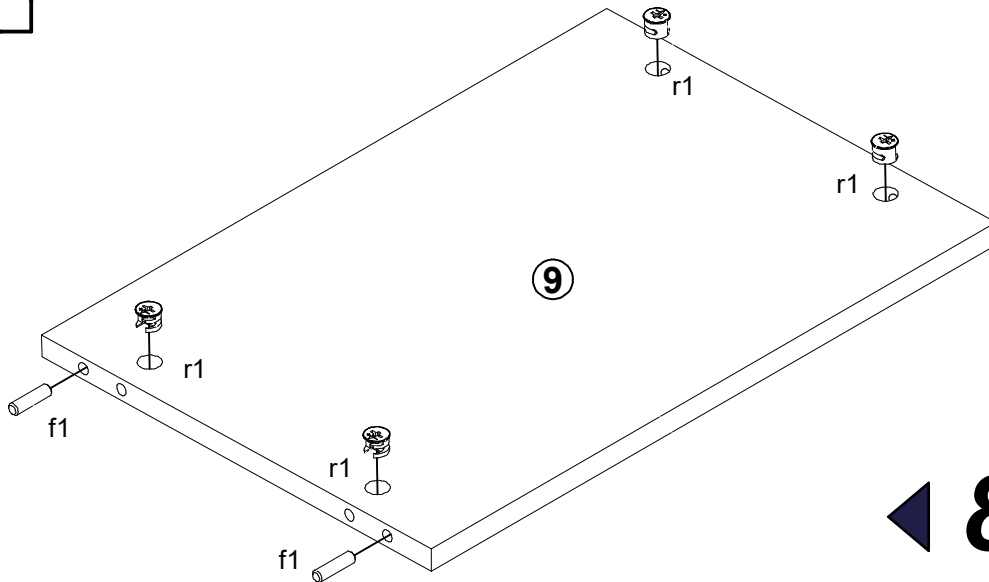
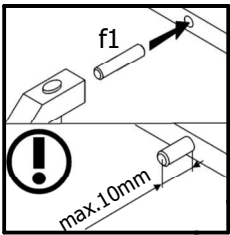
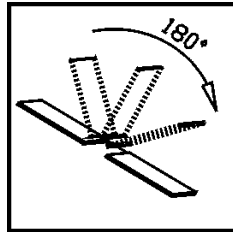
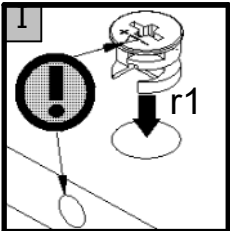
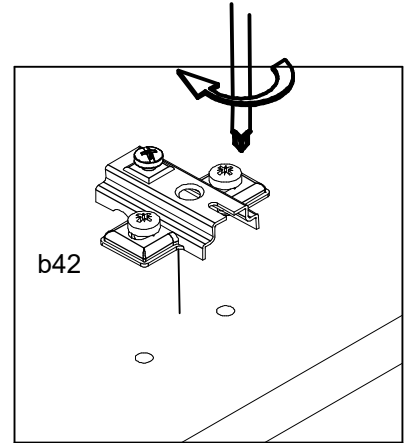
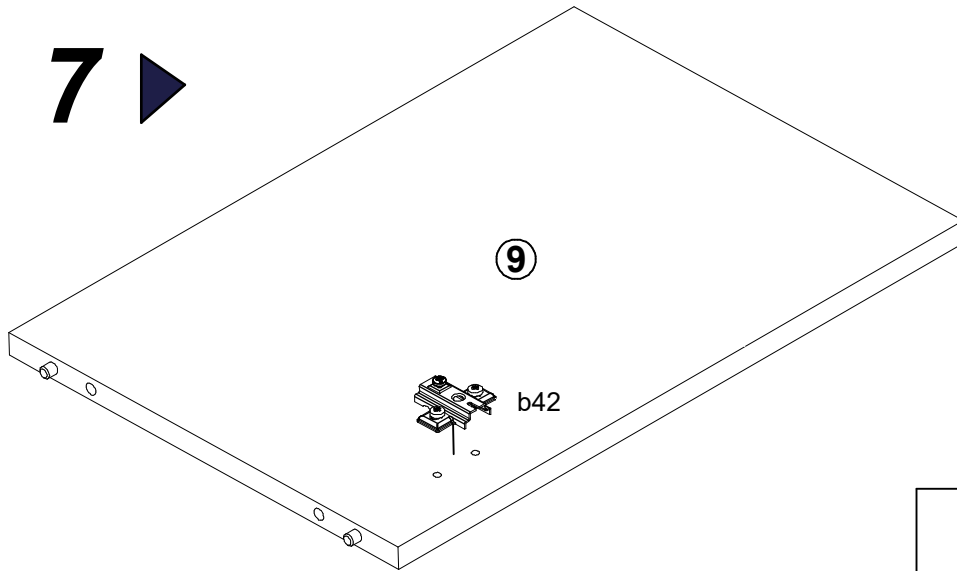
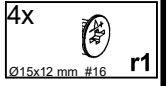
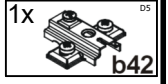
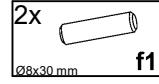


7

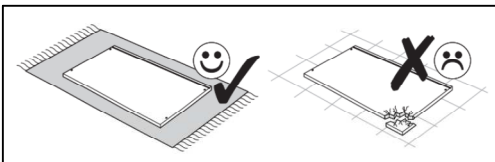
◀ 6



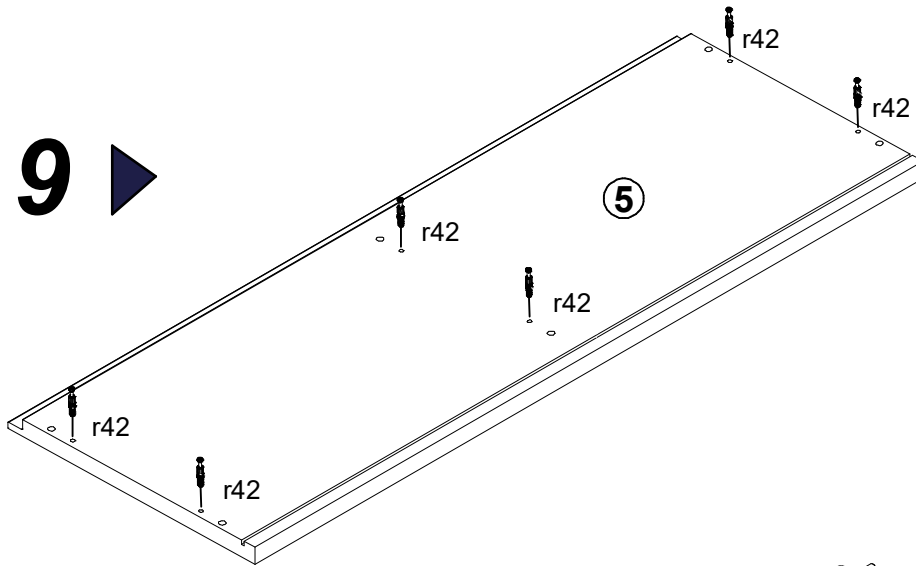
7 ▶







◀ 8

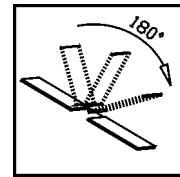
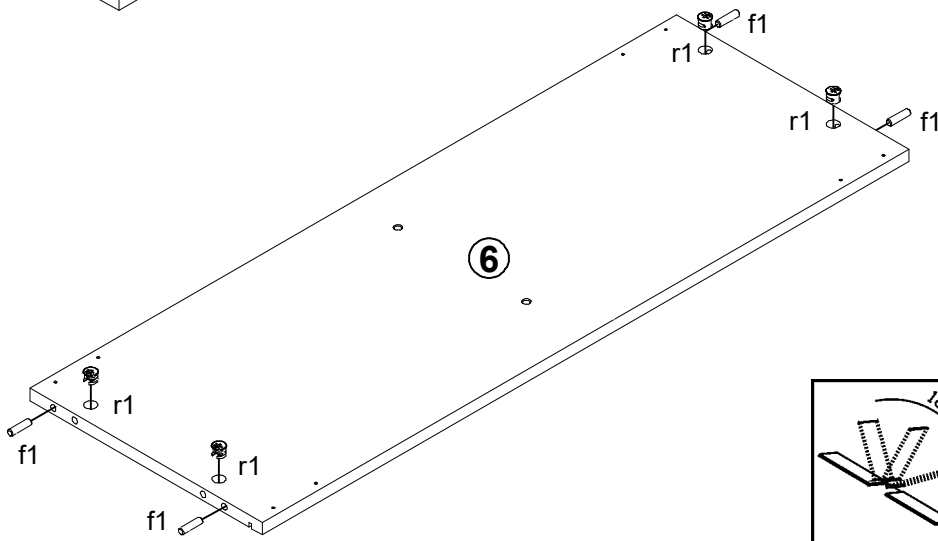


9 ▶

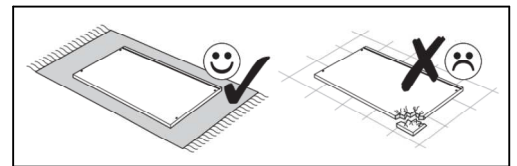
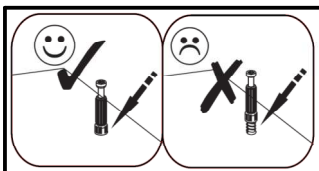
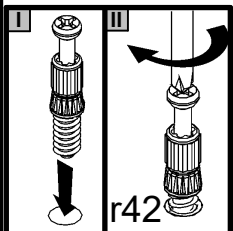
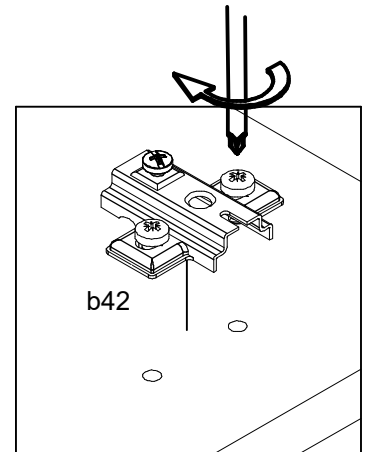
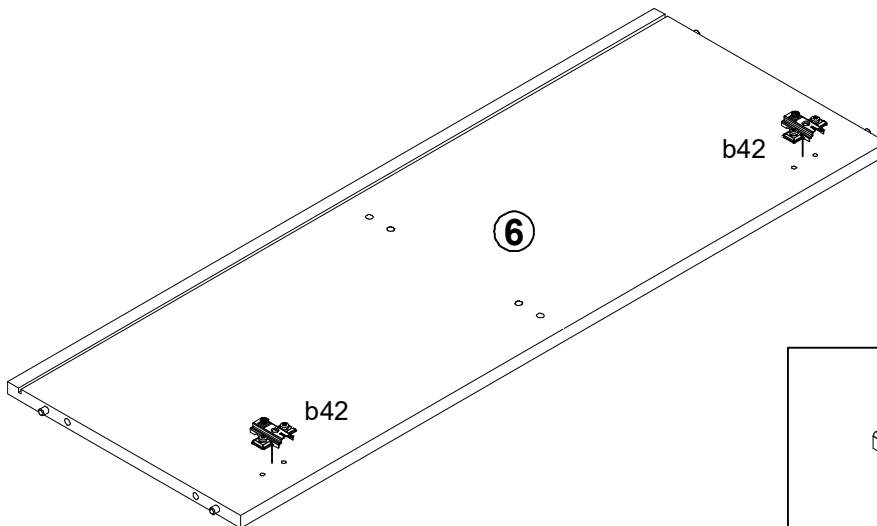


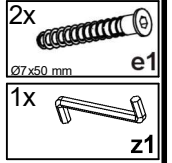
- 6x  r42
- 4x  f1
Ø8x30 mm
- 4x  r1
Ø15x12 mm #16
- 2x  b42

10 ▶

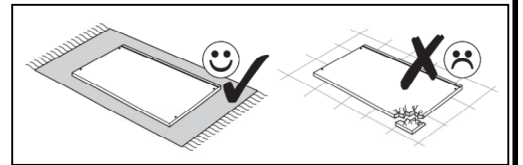
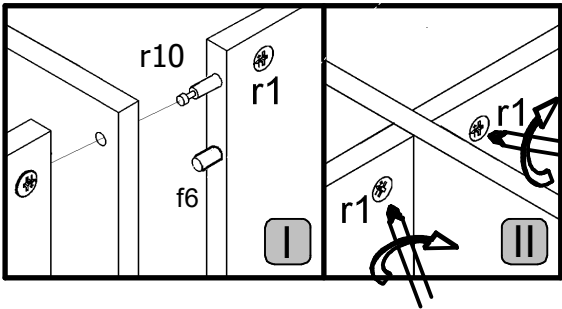
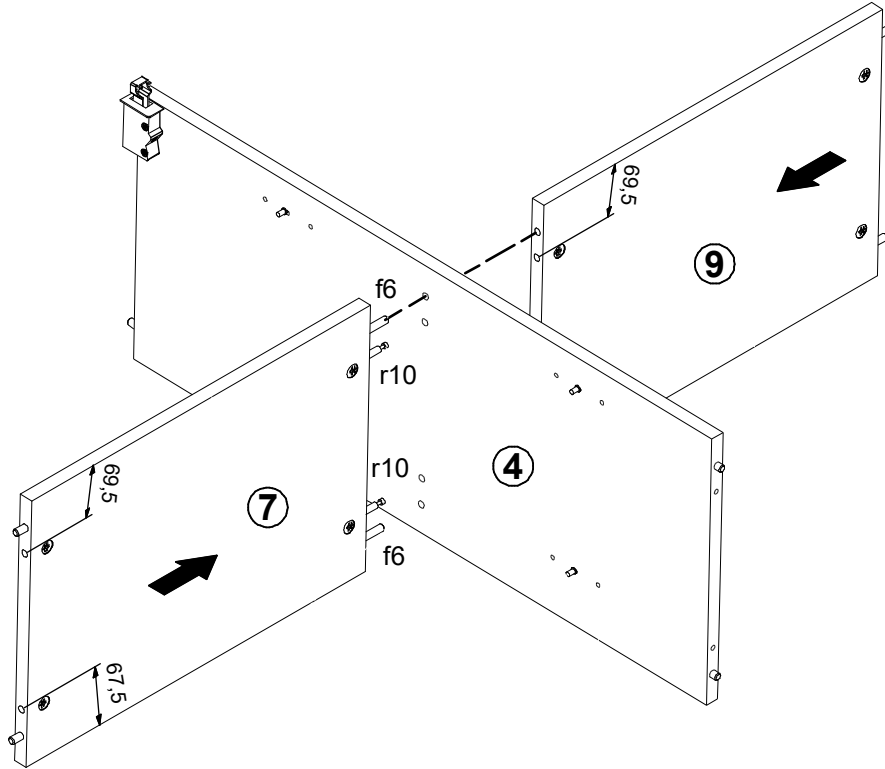


11 ▶

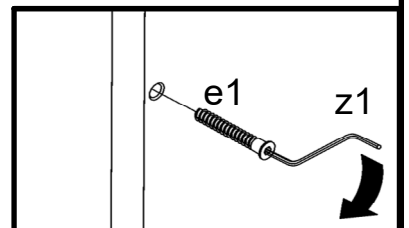
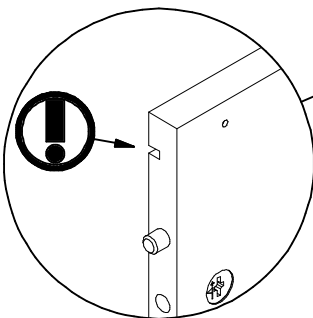
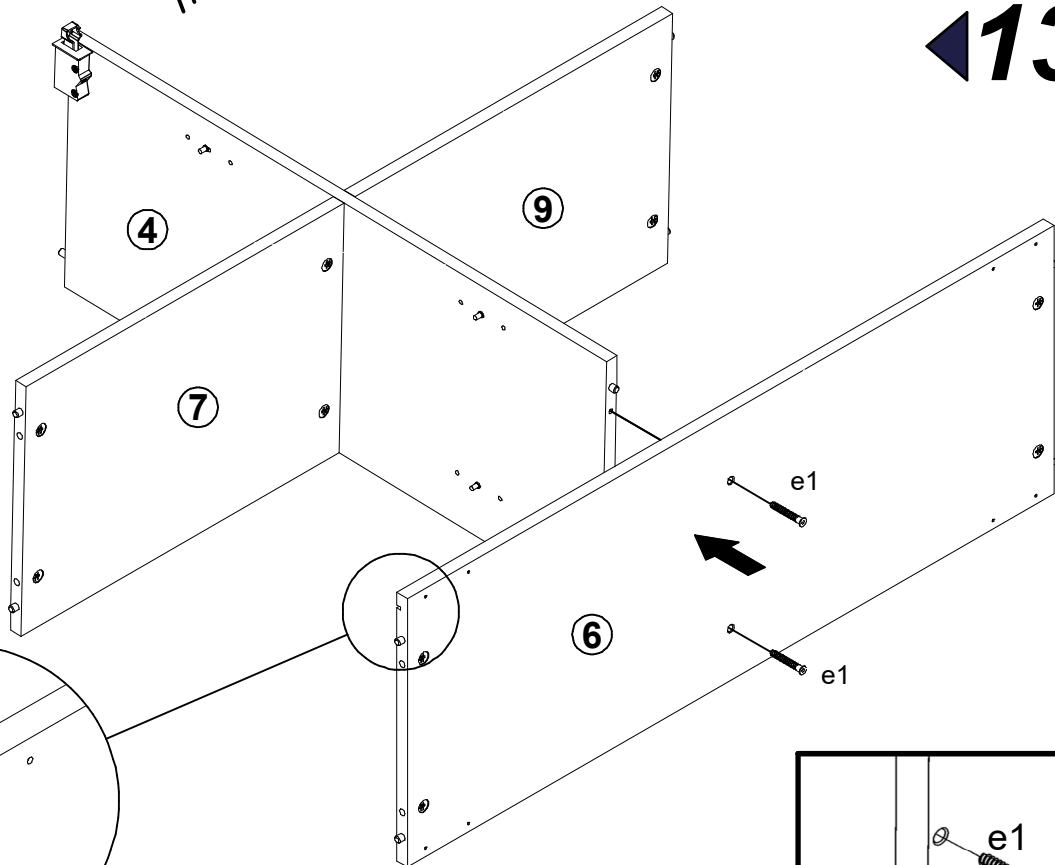




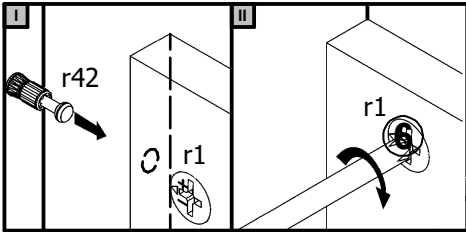
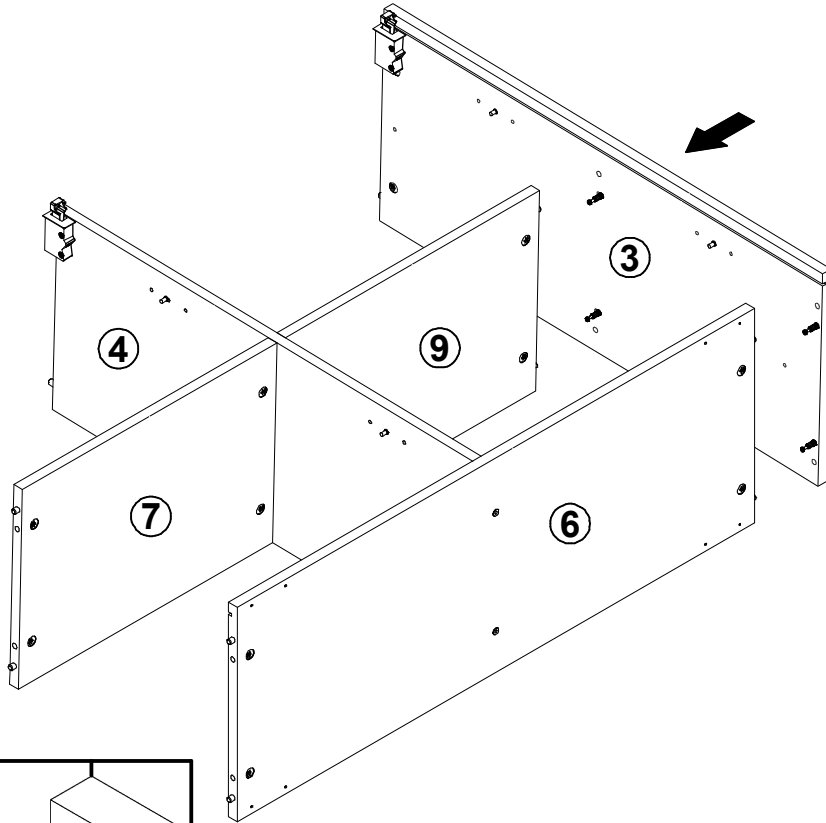
12 ▶



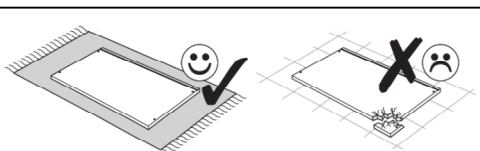
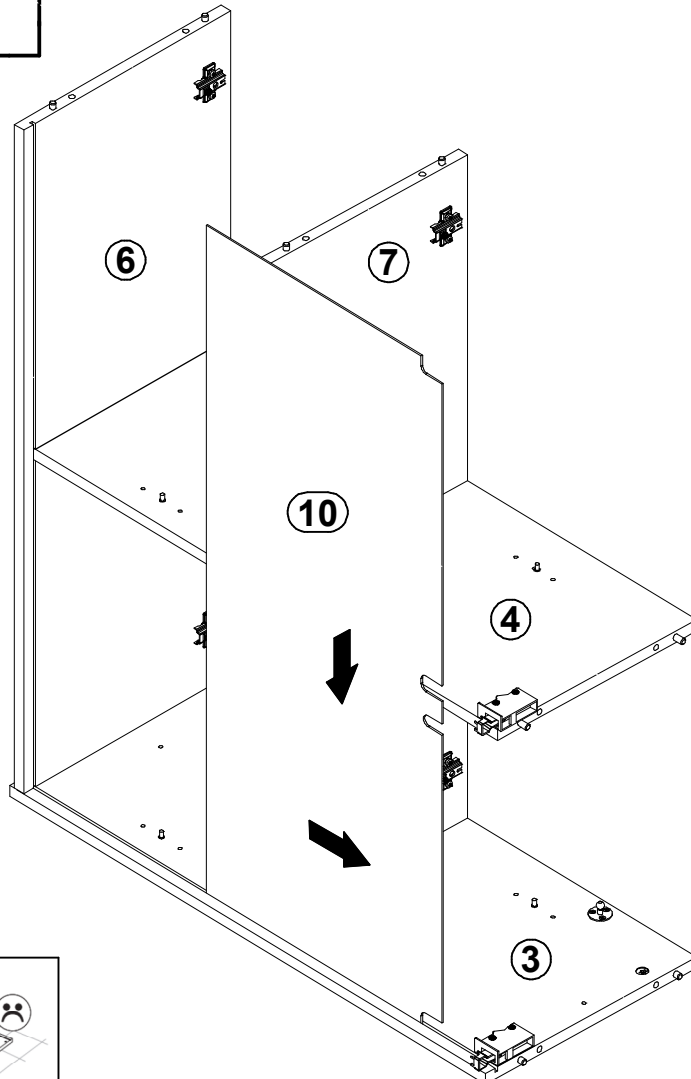
▶ 13



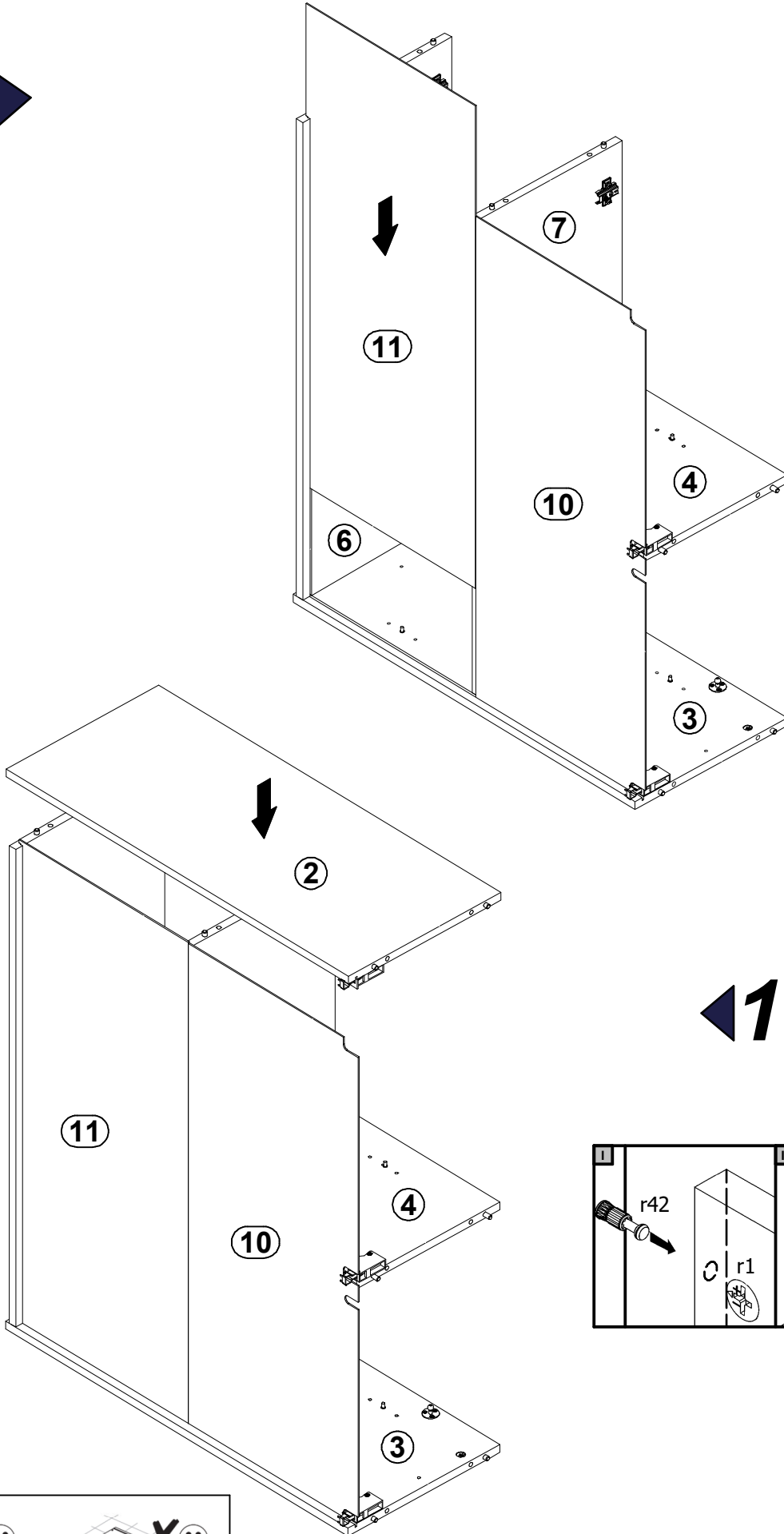
14



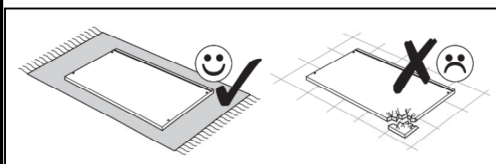
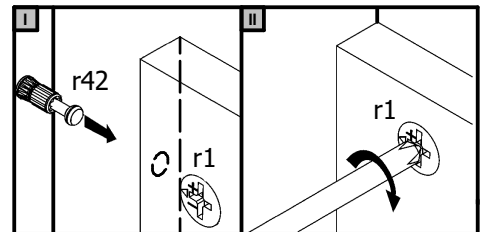
15



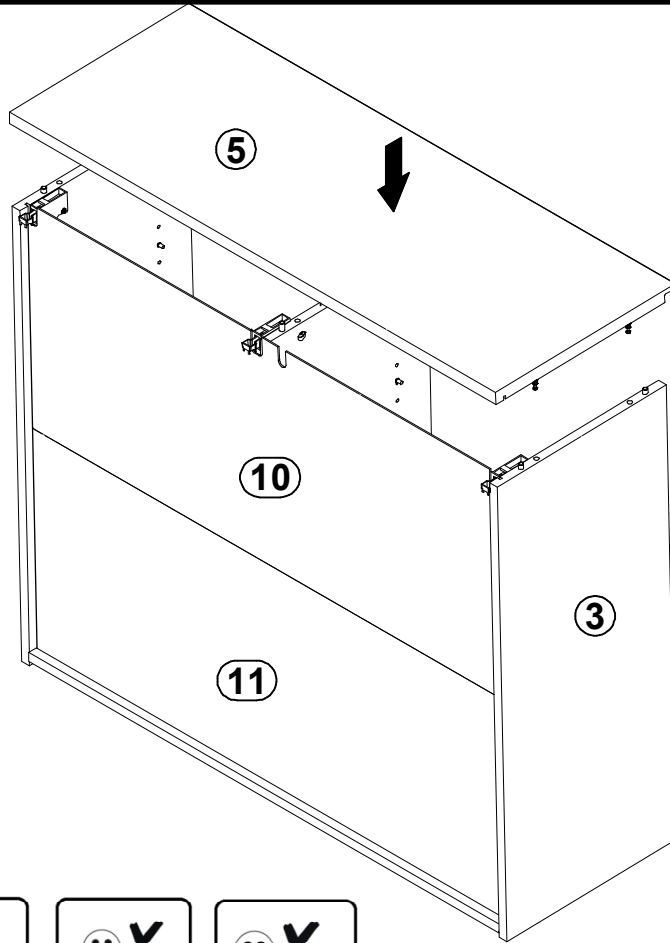
16 ▶



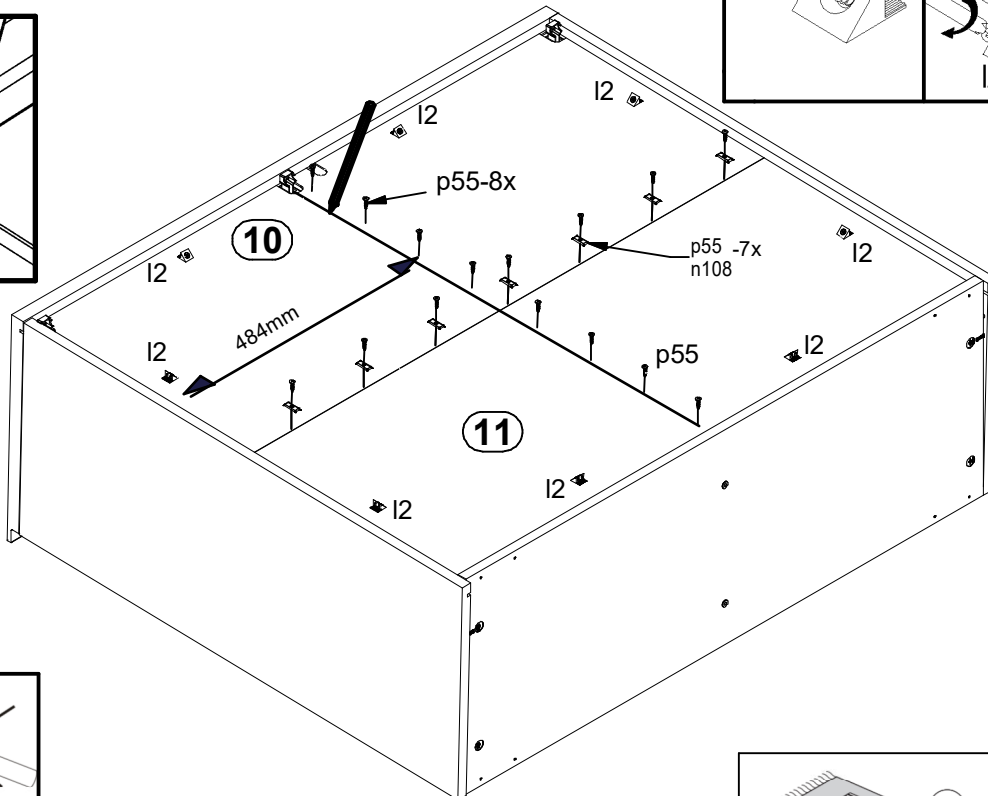
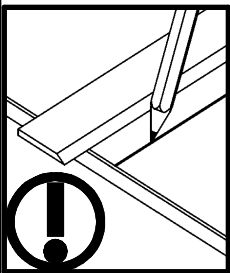
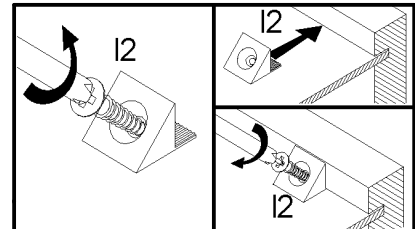
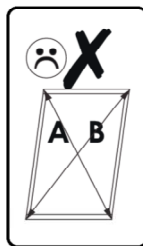
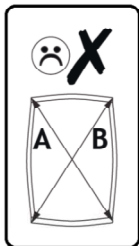
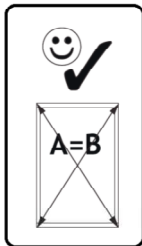
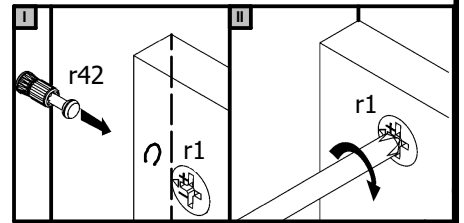
◀ 17



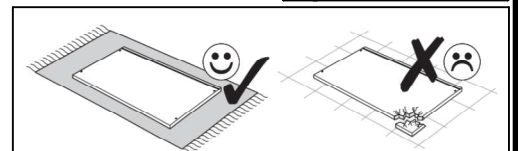
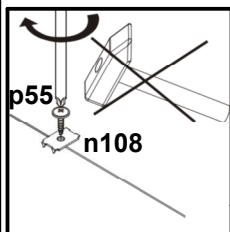
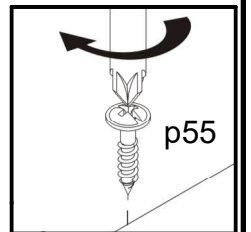
18 ▶

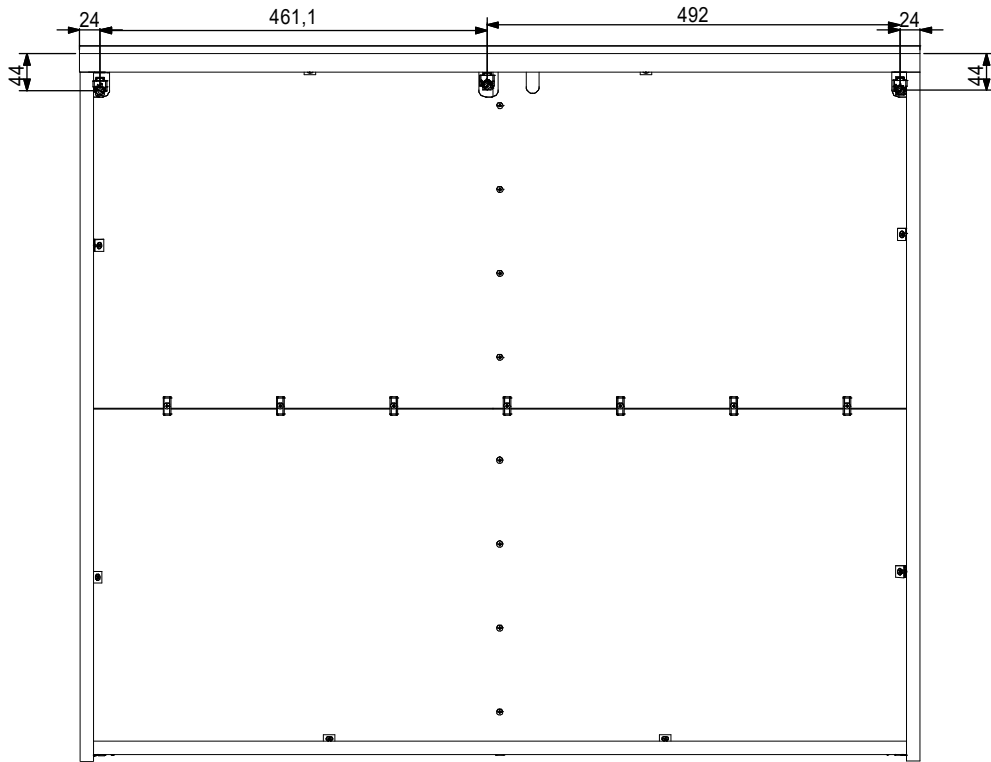


- 8x I2
- 7x n108
20x13x3.5,1
- 15x p55
Ø2.9x16 mm

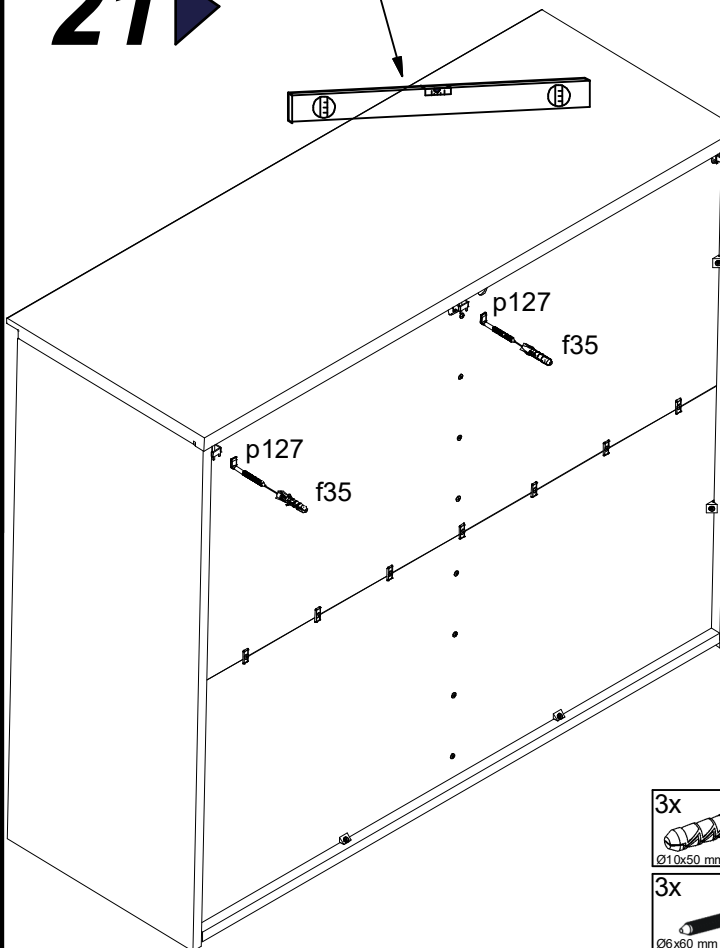
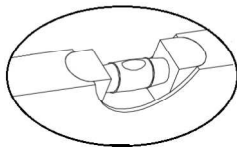


◀ 19





21 ▶



	$\phi 10$ mm 	f35 	f35 	f35
--	------------------	---------	---------	---------

		p127
--	--	----------

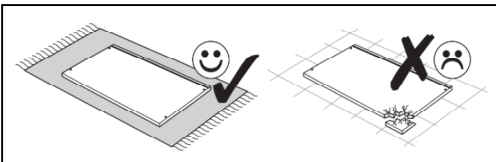
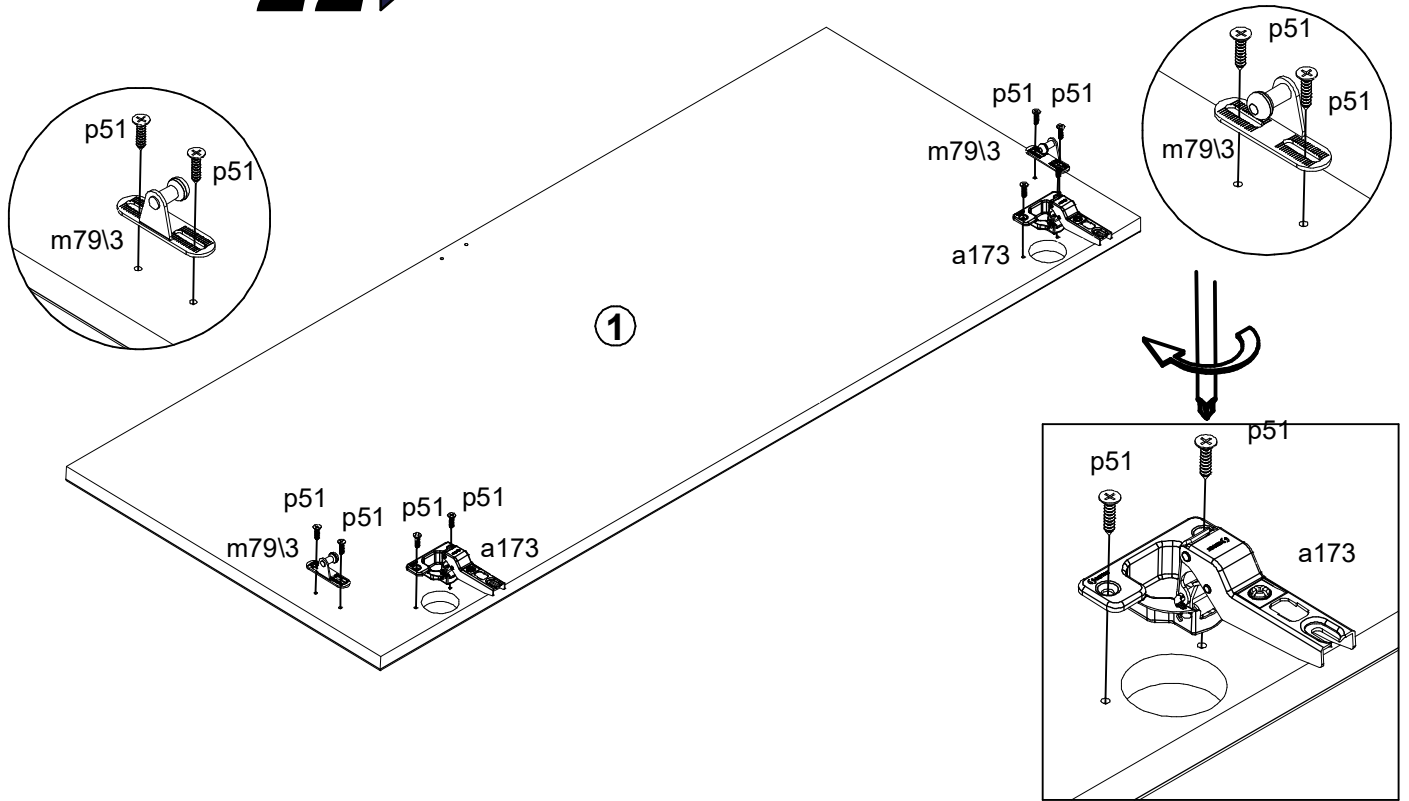
p127 	p127 	p127
----------	----------	----------

3x $\phi 10 \times 50$ mm f35
3x $\phi 6 \times 60$ mm p127

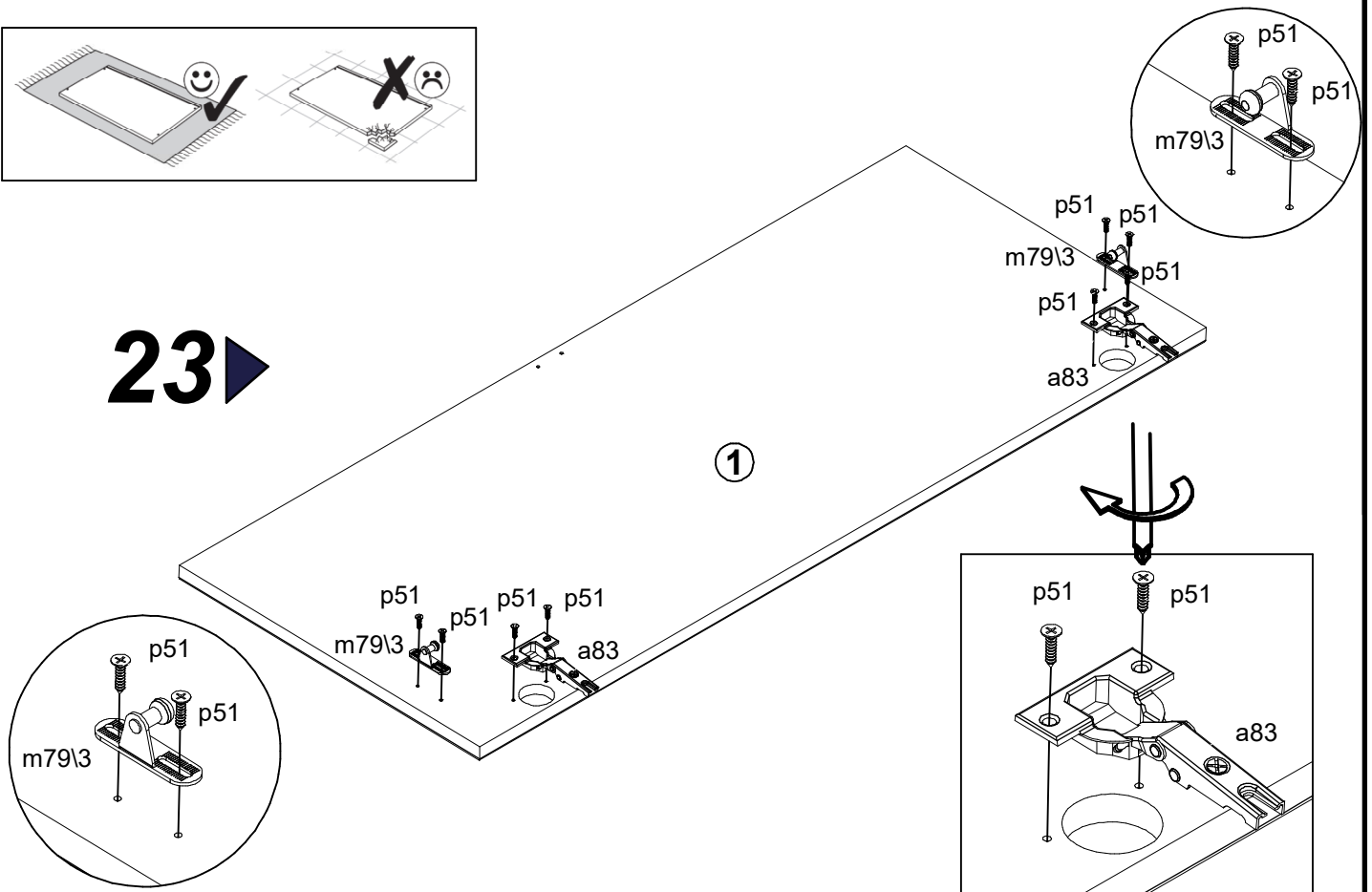
		n165
--	--	----------

16x Ø3,5x15 mm p51	4x m79\3	2x K9 Ø35 a173	2x K9 Ø35 a83
--------------------------	-------------	----------------------	---------------------

22 ▶

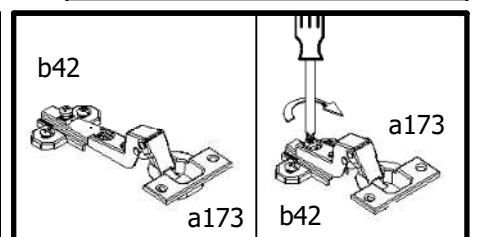
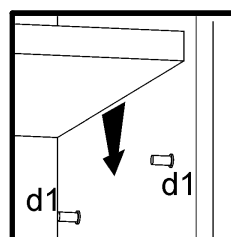
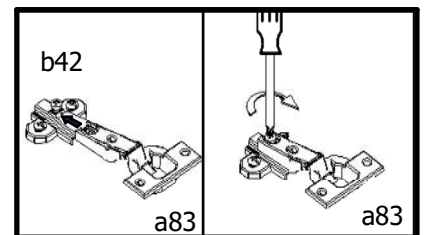
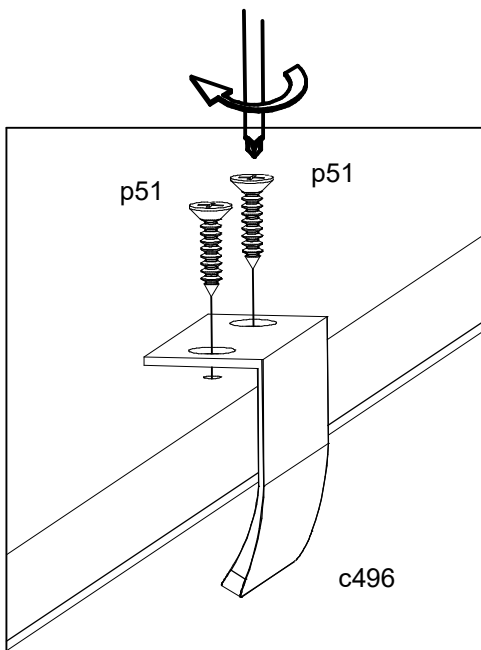
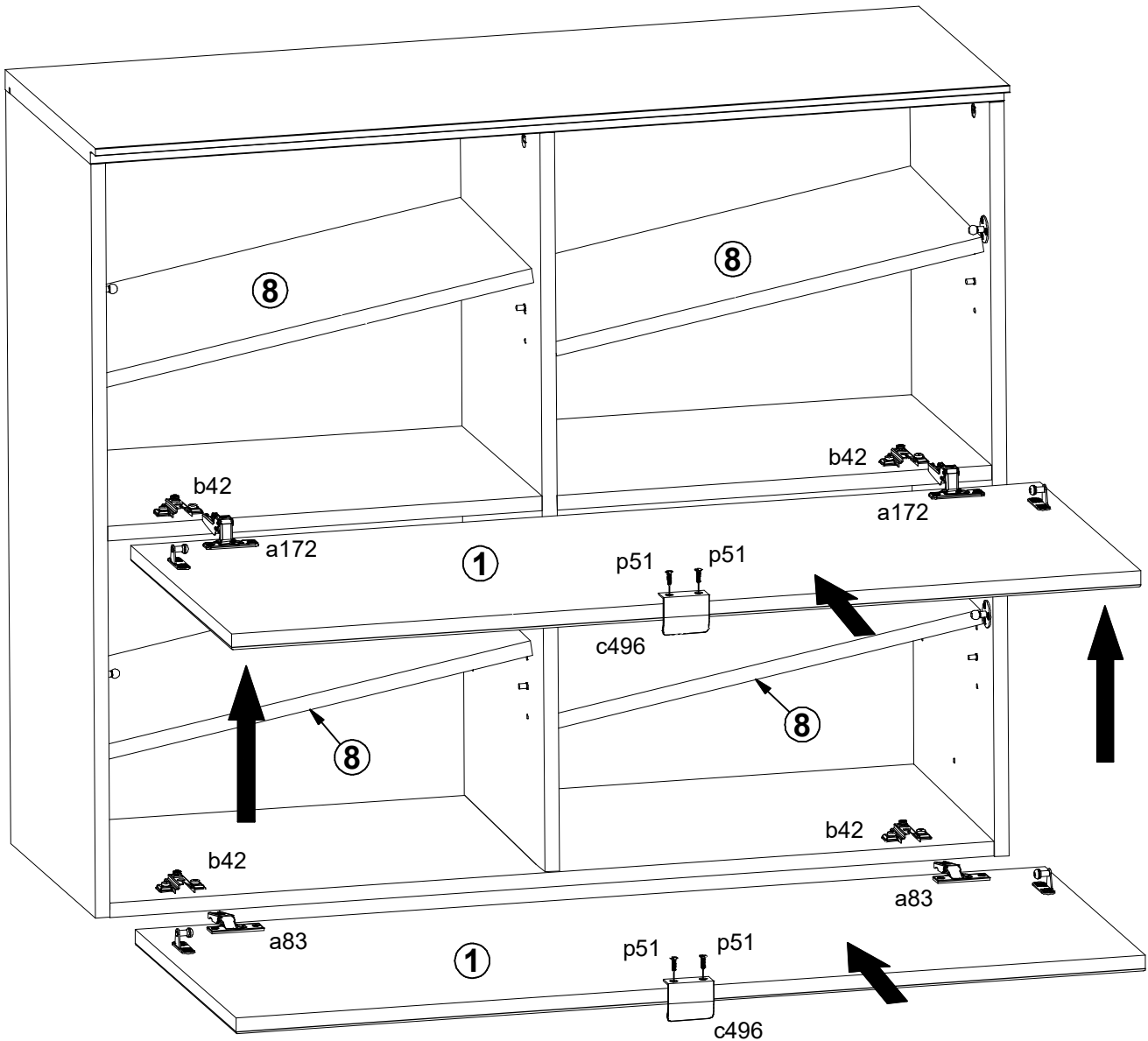


23 ▶

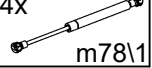
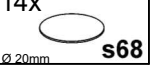


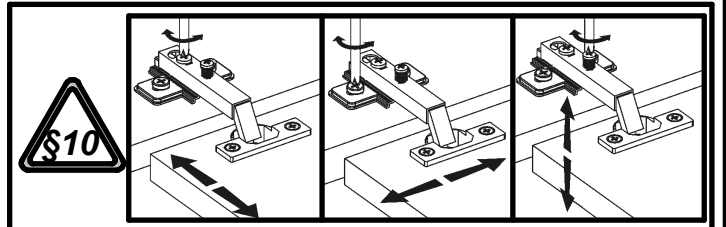
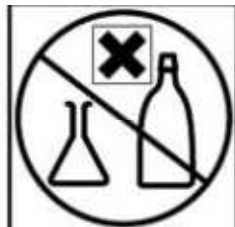
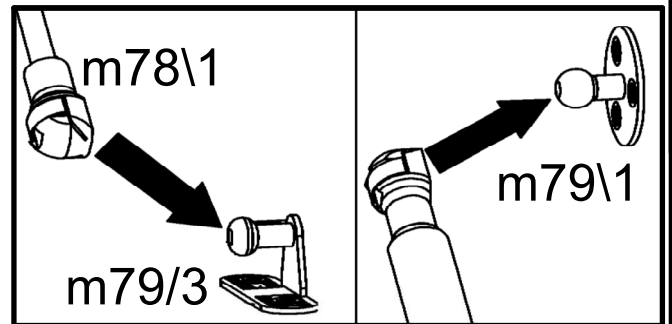
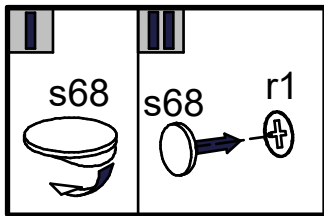
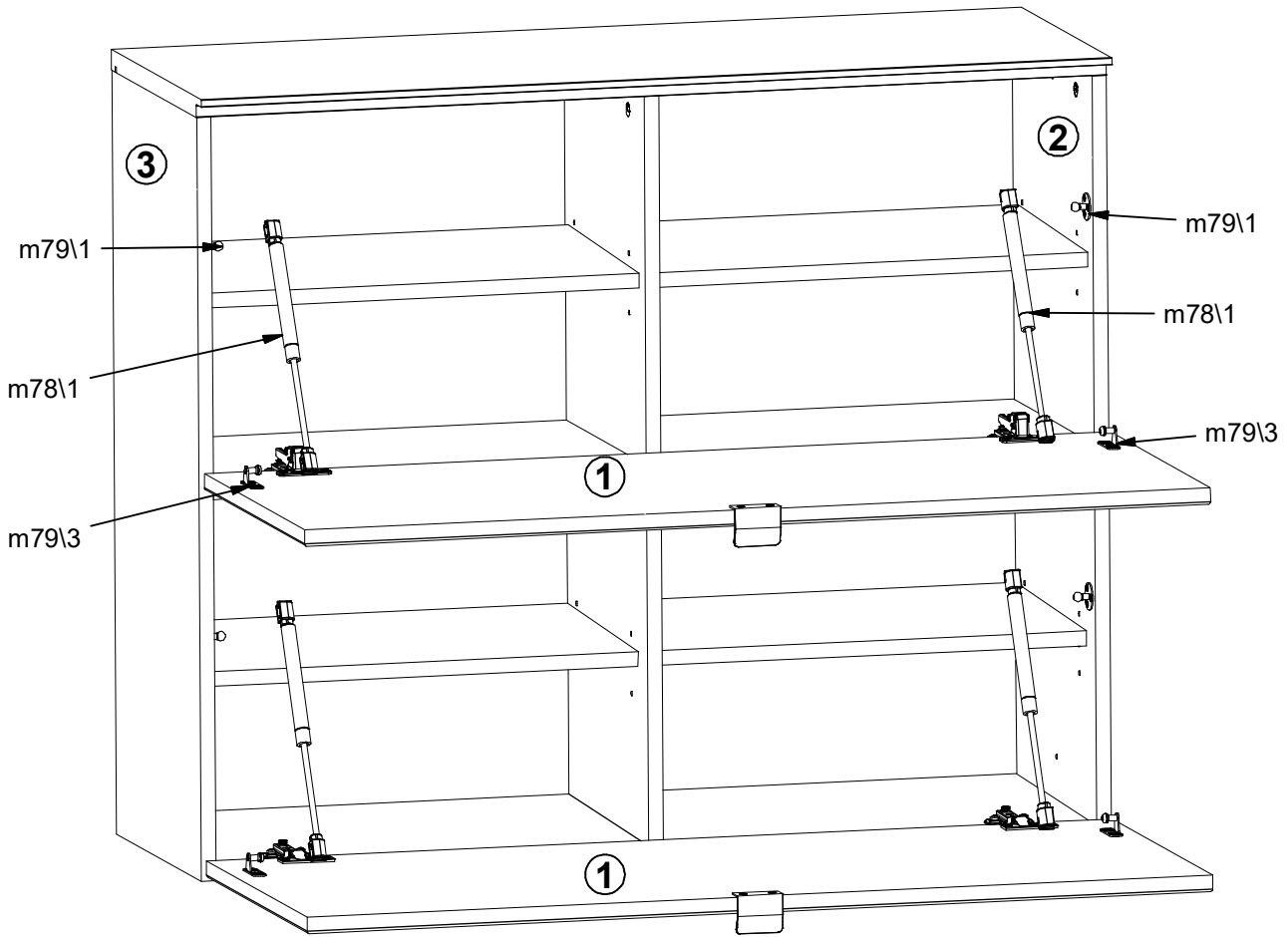
24 ▶

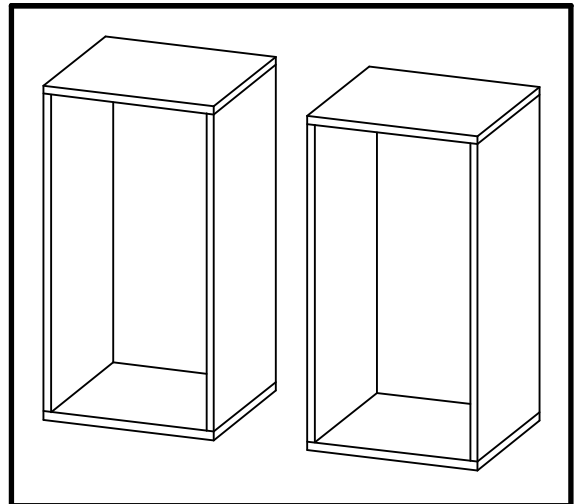
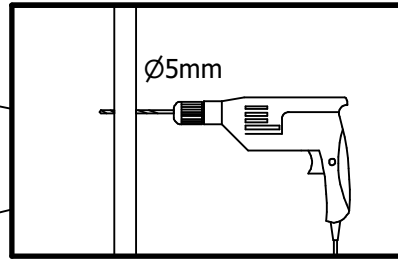
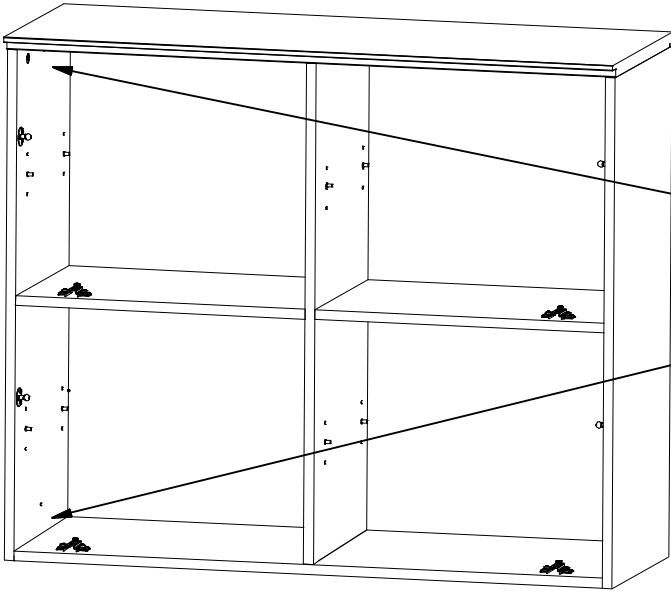
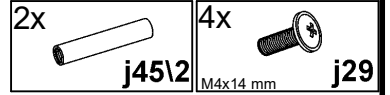
- 2x  c496
- 4x  p51
Ø3.5x15 mm



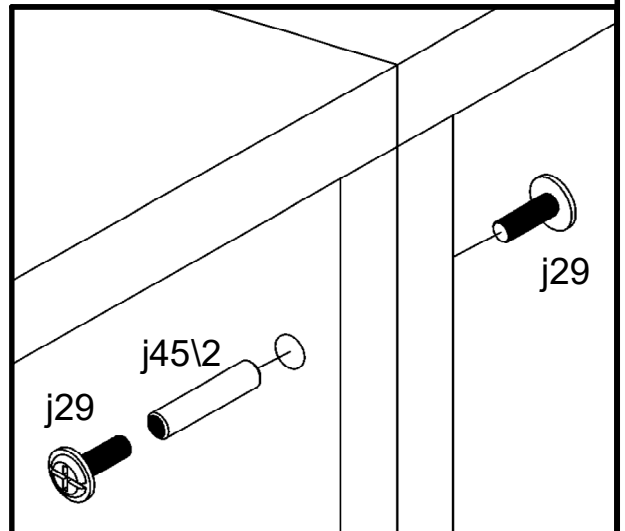
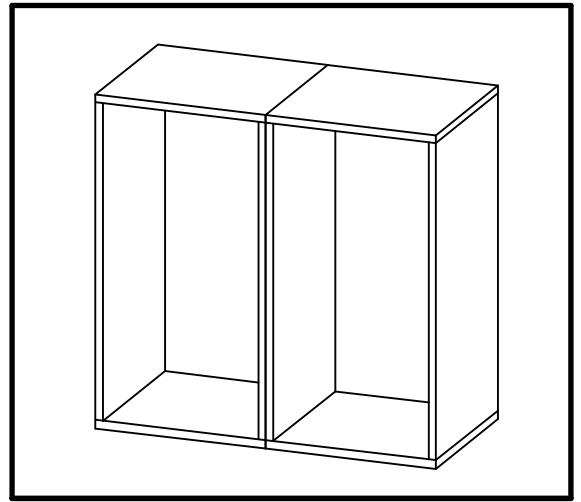
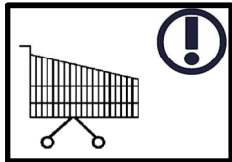
25

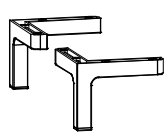
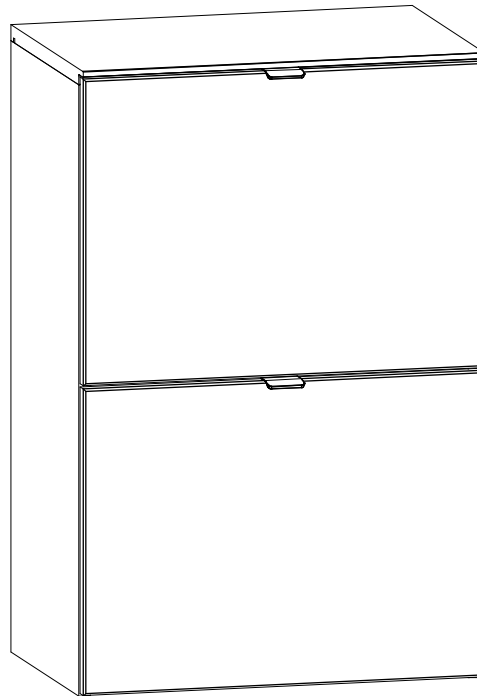
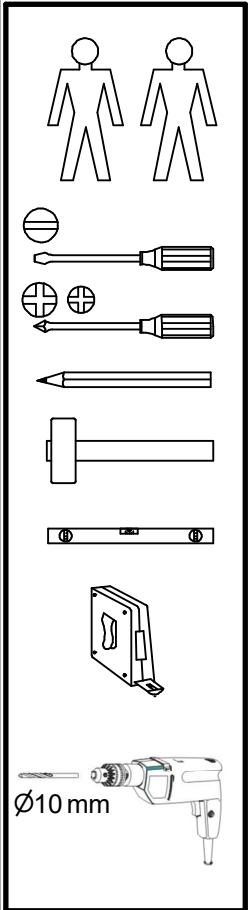
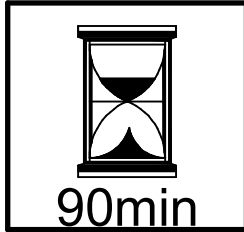
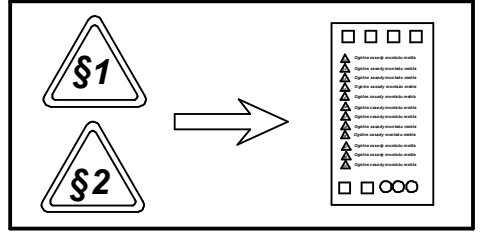
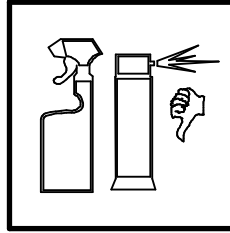
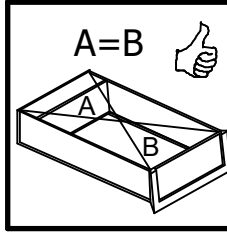
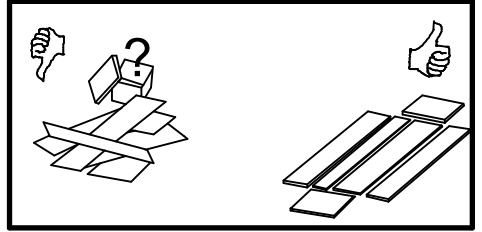
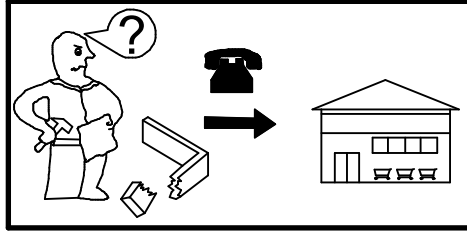
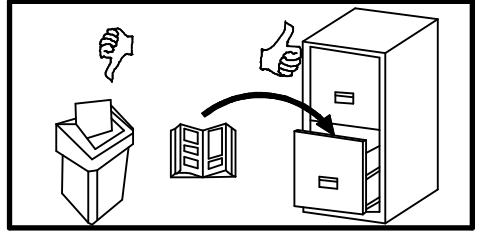
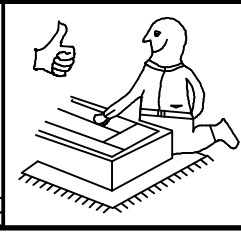
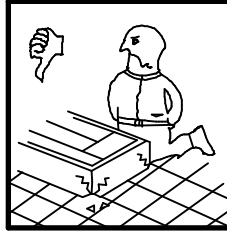
- 4x  m78\1
- 14x  s68
Ø 20mm



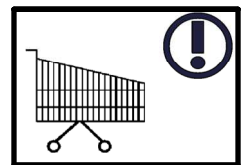
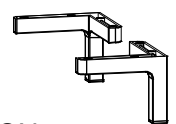


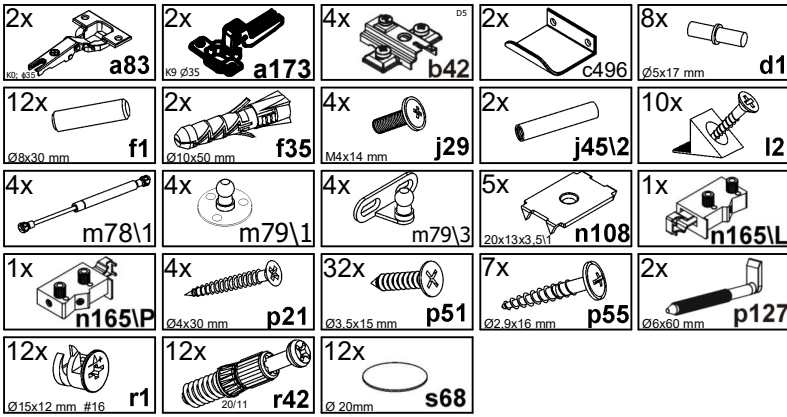
OPTION



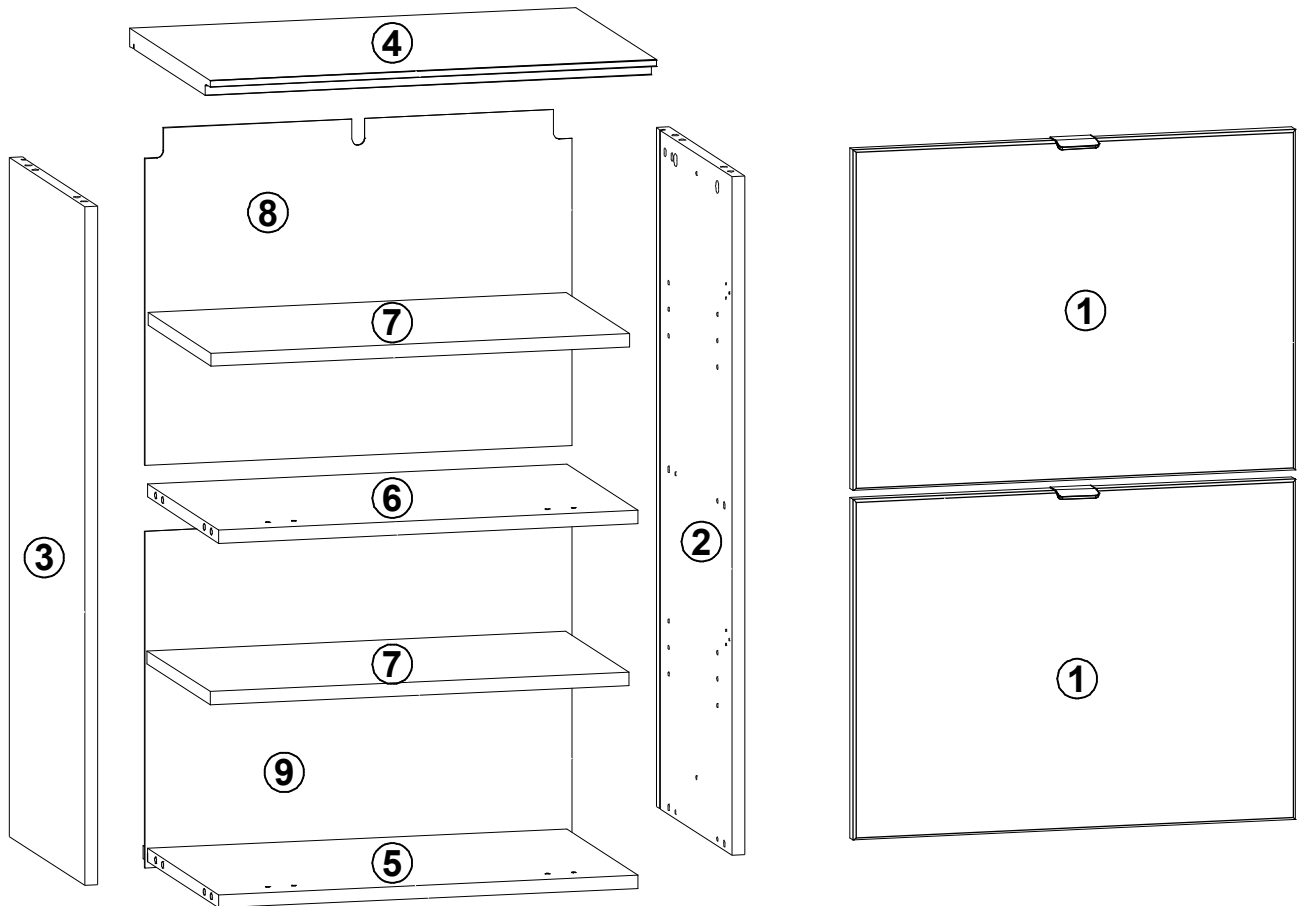


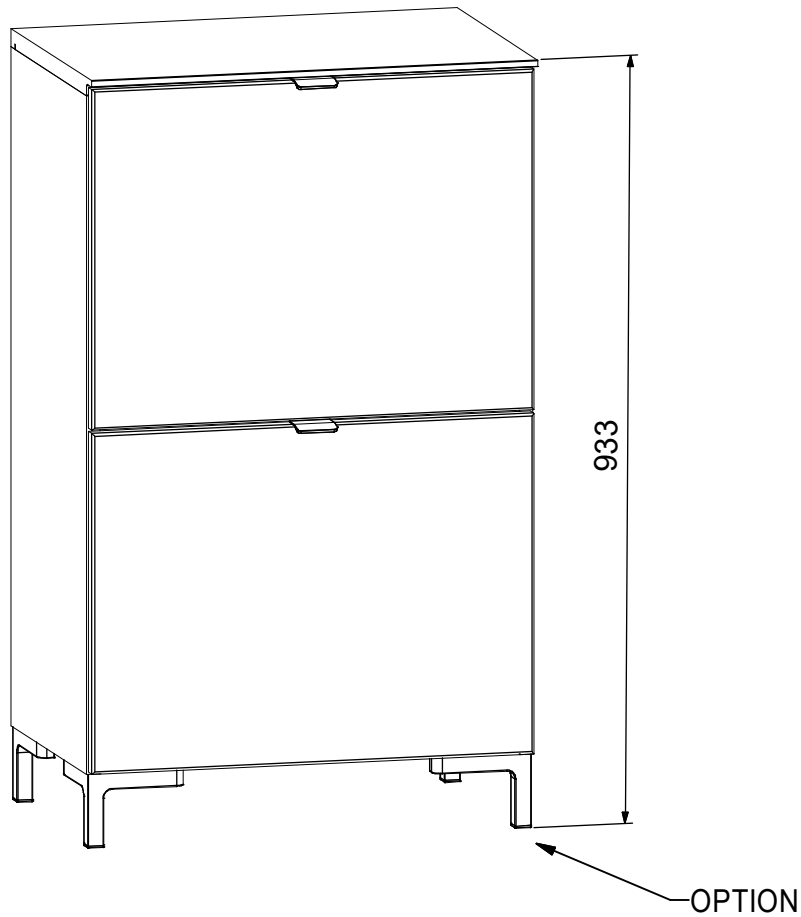
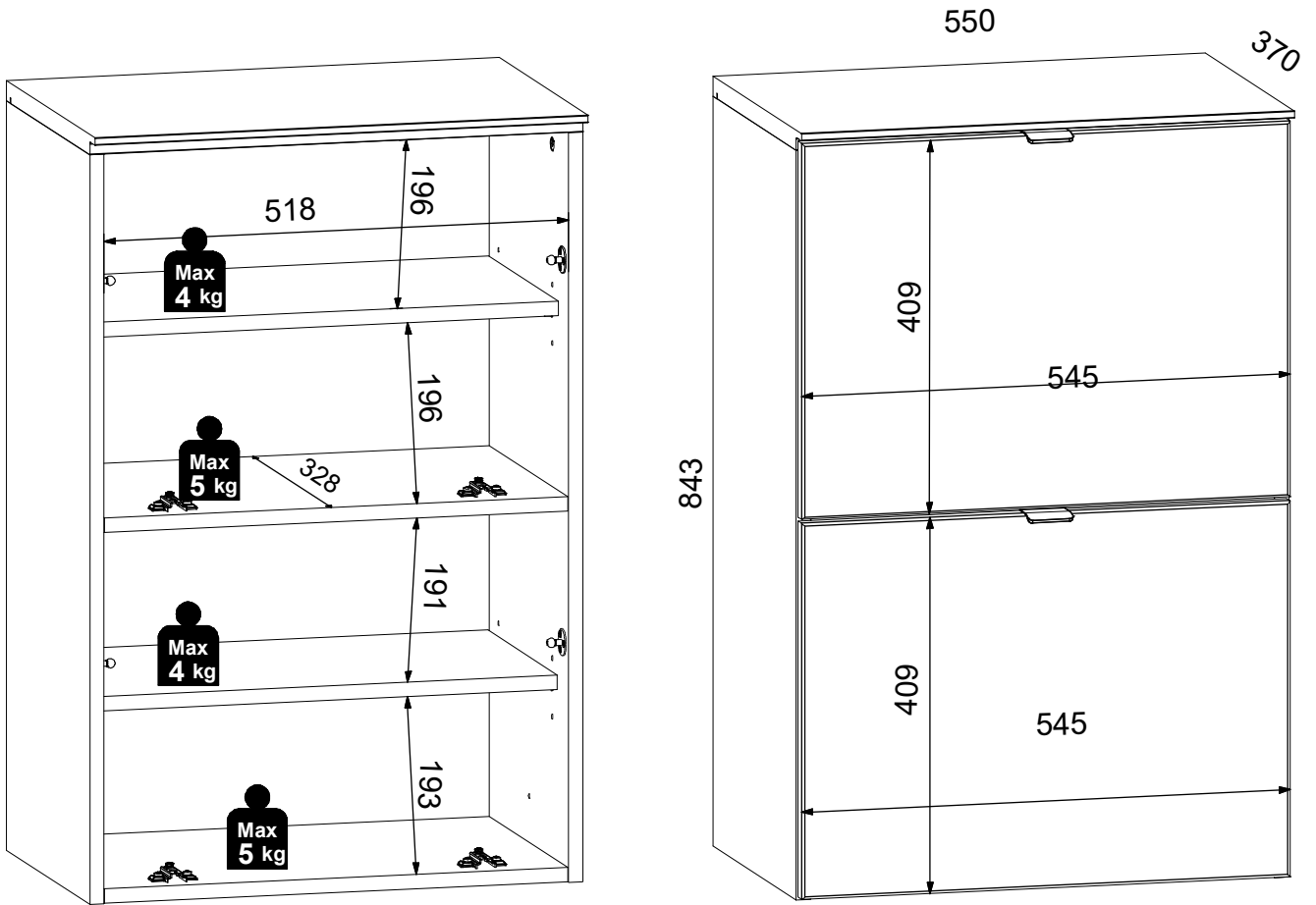
OPTION
99 03 01 95



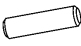




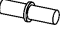




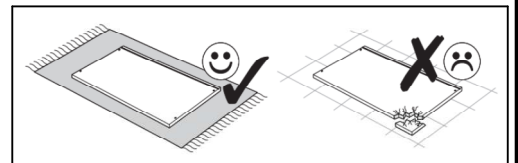
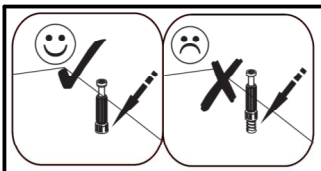
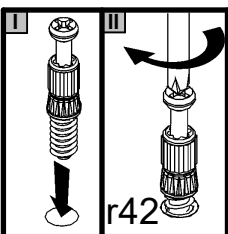
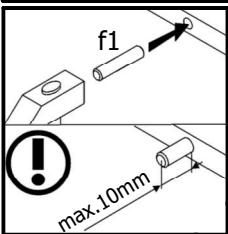
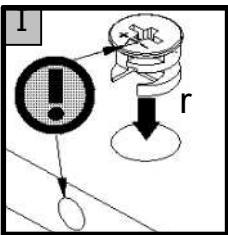
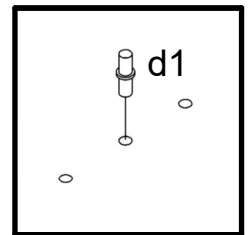
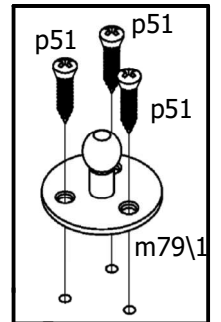
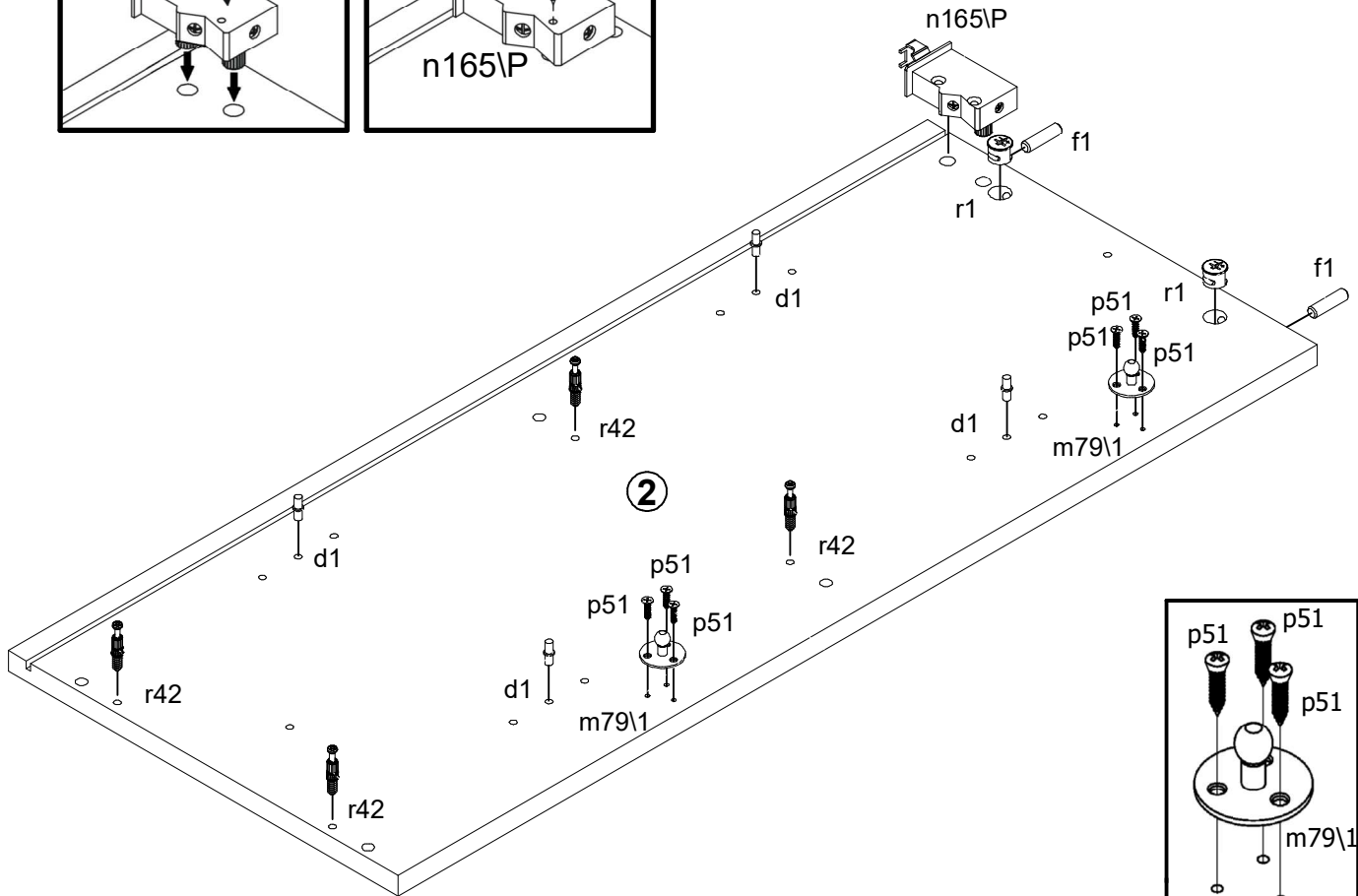
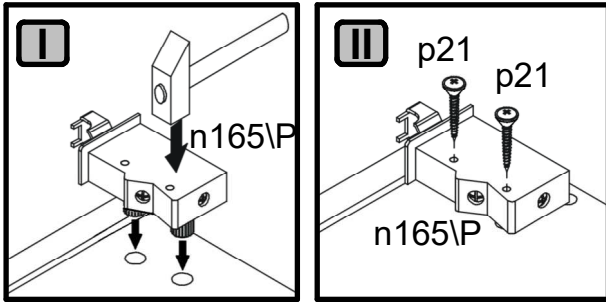
A	B1	B2	C1	C2	C3	C4	D
1	M278-0003	-	545	412	18	2	1/1
2	M278-1001	-	821	348	16	1	1/1
3	M278-1002	-	821	348	16	1	1/1
4	M278-2002	-	550	370	22	1	1/1
5	M278-3004	-	517	348	16	1	1/1
6	M278-3005	-	517	328	16	1	1/1
7	M278-3006	-	516	290	16	2	1/1
8	M278-9005	-	527	407	2,5	1	1/1
9	M278-9006	-	527	407	2,5	1	1/1





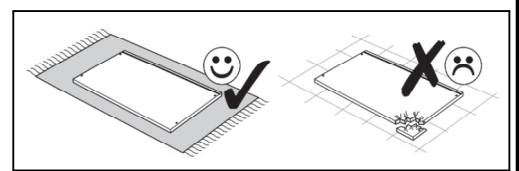
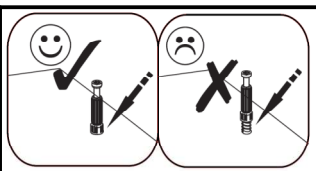
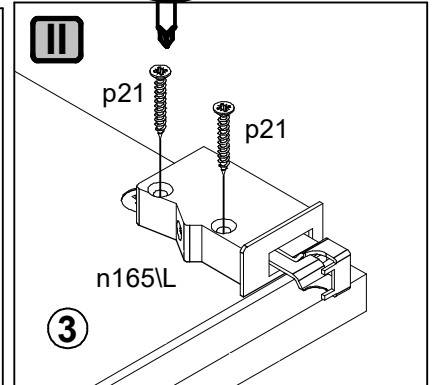
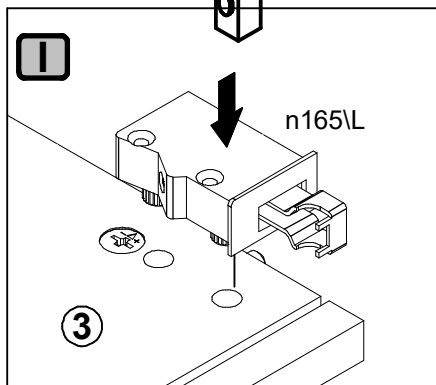
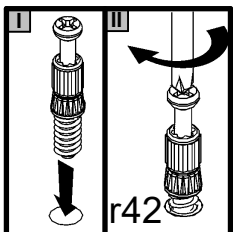
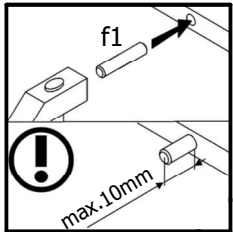
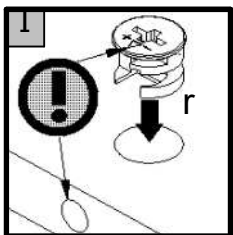
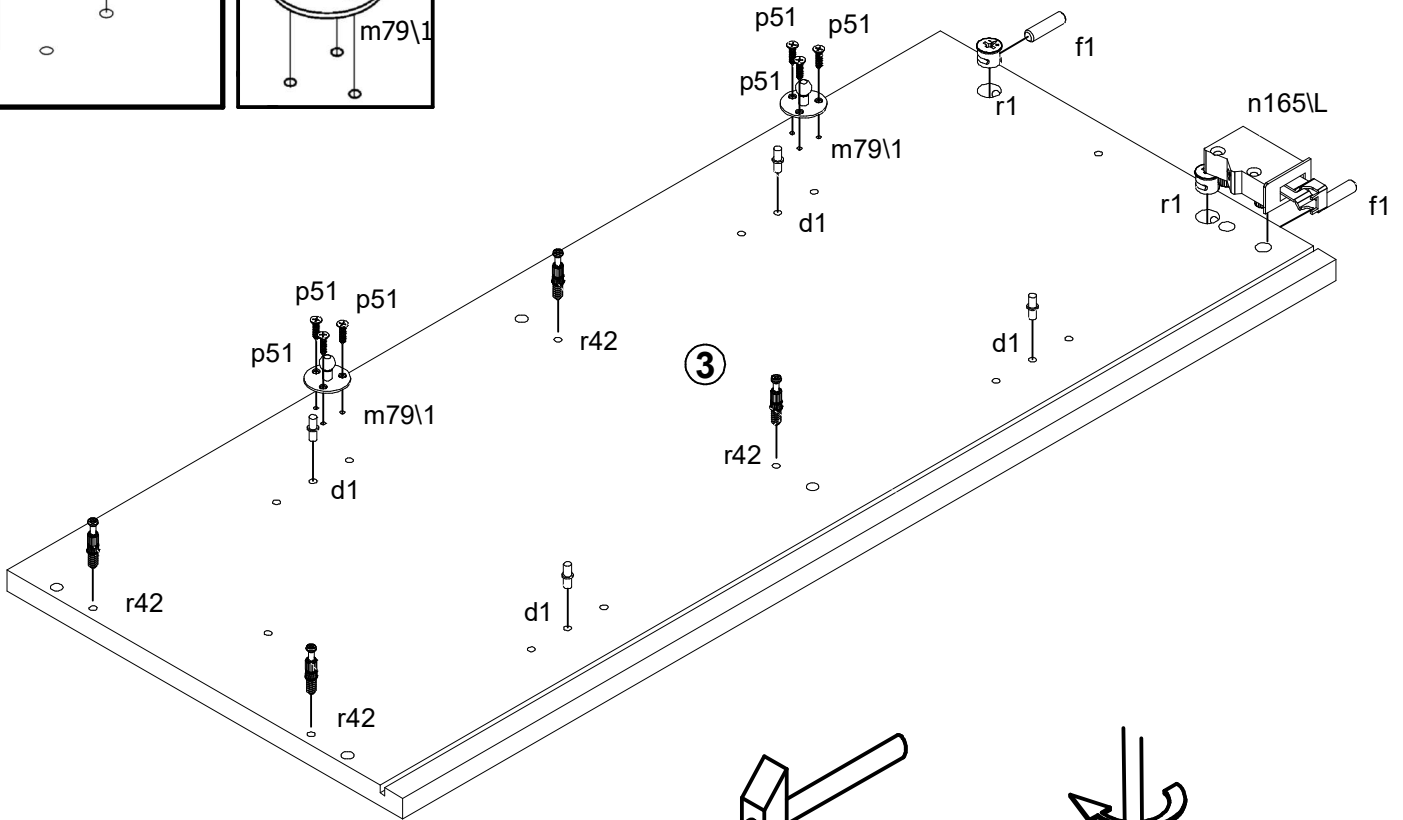
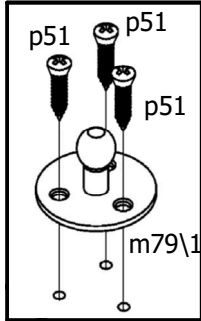
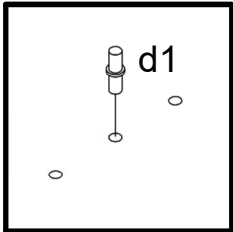
1 ▶

- 2x  f1 Ø8x30 mm
- 2x  r1 Ø15x12 mm #16
- 4x  r42 20/11
- 2x  m79\1
- 6x  p51 Ø3.5x15 mm
- 4x  d1 Ø5x17 mm
- 1x  n165\P
- 2x  p21 Ø4x30 mm

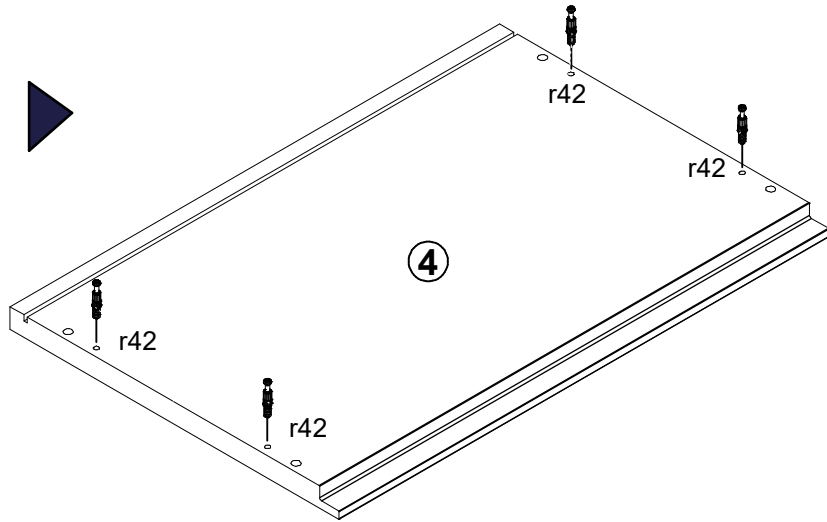




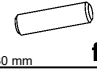

2 ▶

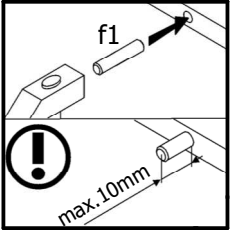
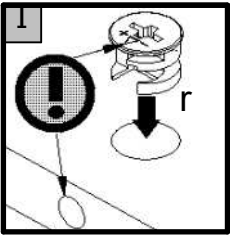
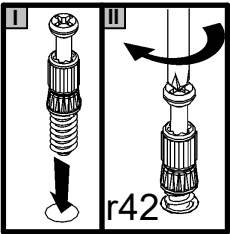
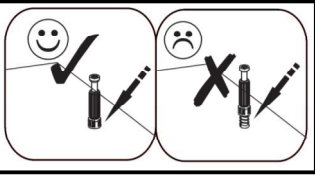
- 2x Ø8x30 mm f1
- 2x Ø15x12 mm #16 r1
- 4x 20/11 r42
- 2x m79\1
- 6x Ø3.5x15 mm p51
- 4x Ø5x17 mm d1
- 1x n165\L
- 2x Ø4x30 mm p21



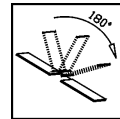
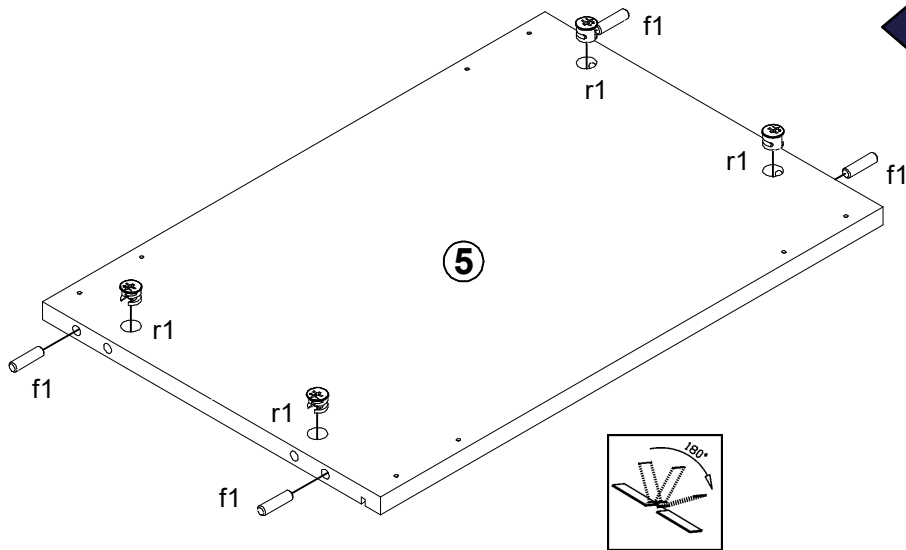
3 ▶



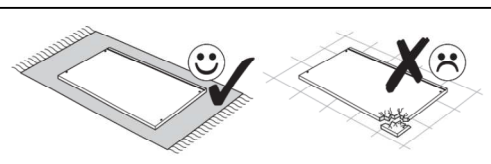
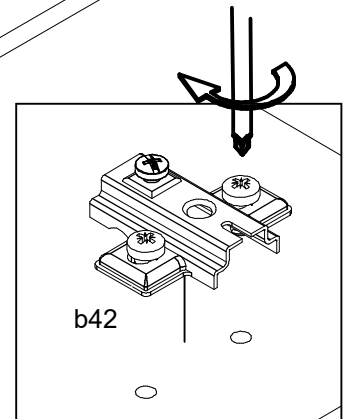
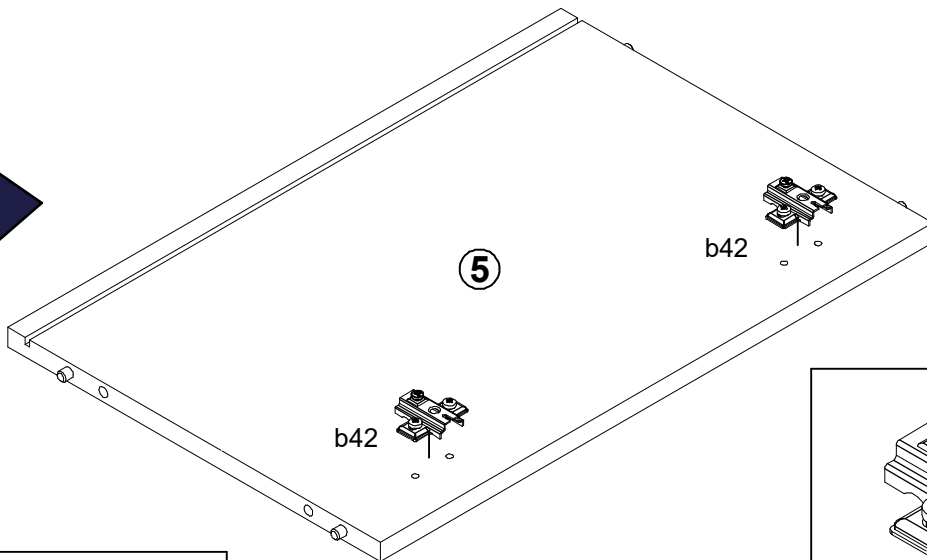
- 2x  **b42**
- 4x  **r1**
Ø15x12 mm #16
- 4x  **f1**
Ø8x30 mm
- 4x  **r42**
20/11



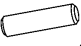


◀ 4

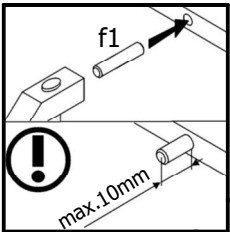
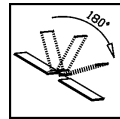
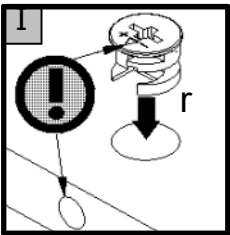
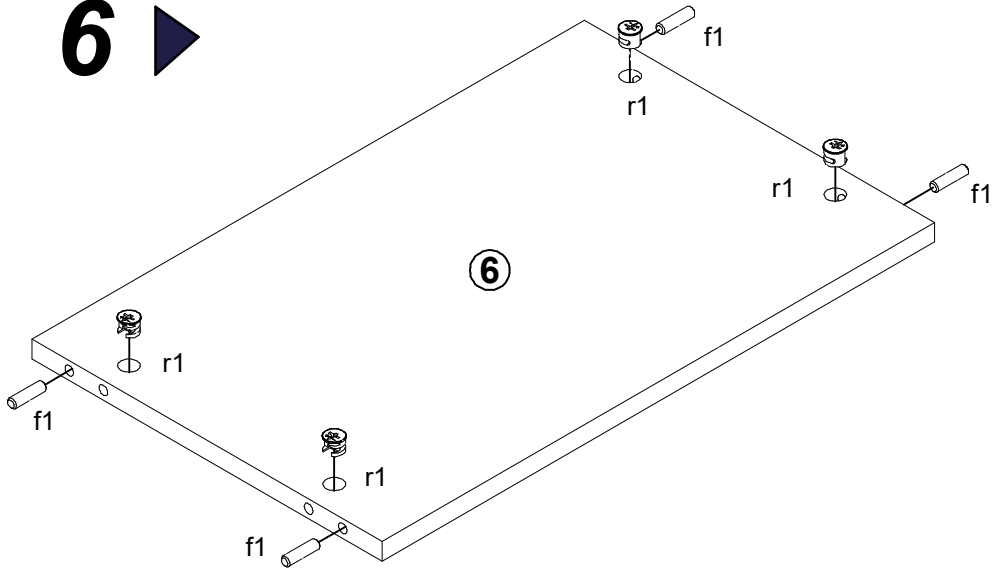


5 ▶

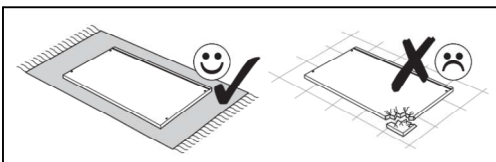
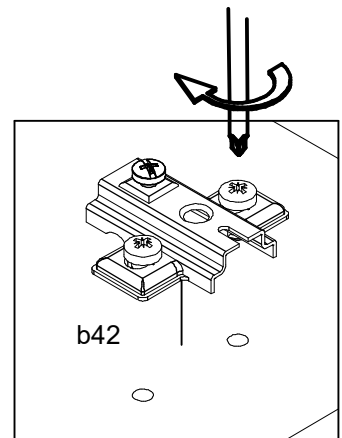
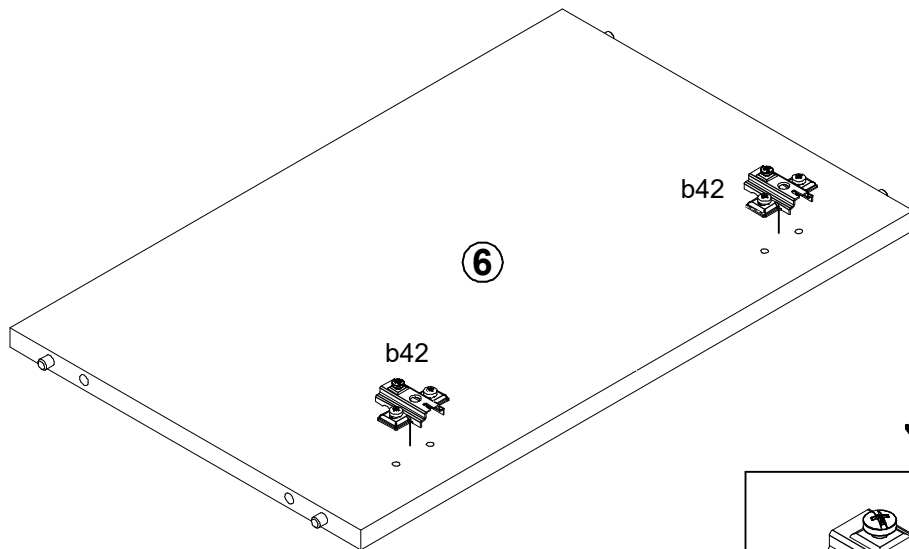


- 2x  **b42**
- 4x  **r1**
Ø15x12 mm #16
- 4x  **f1**
Ø8x30 mm

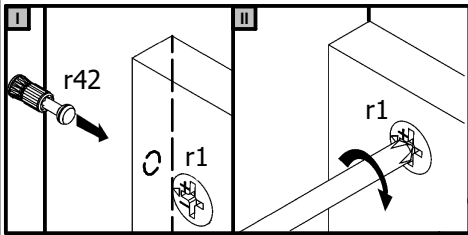
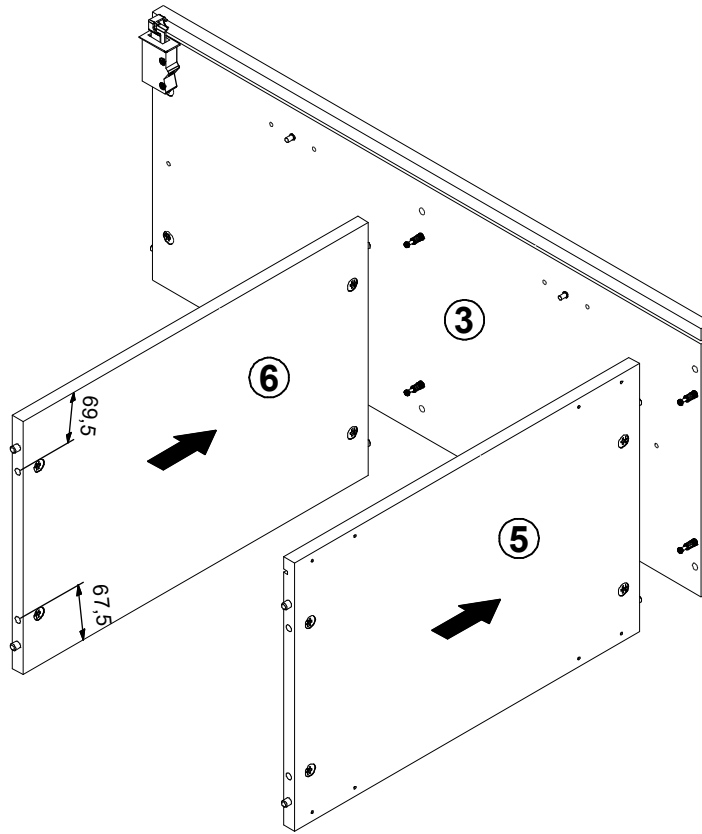
6 ▶



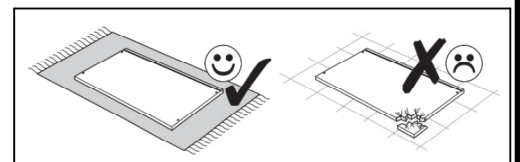
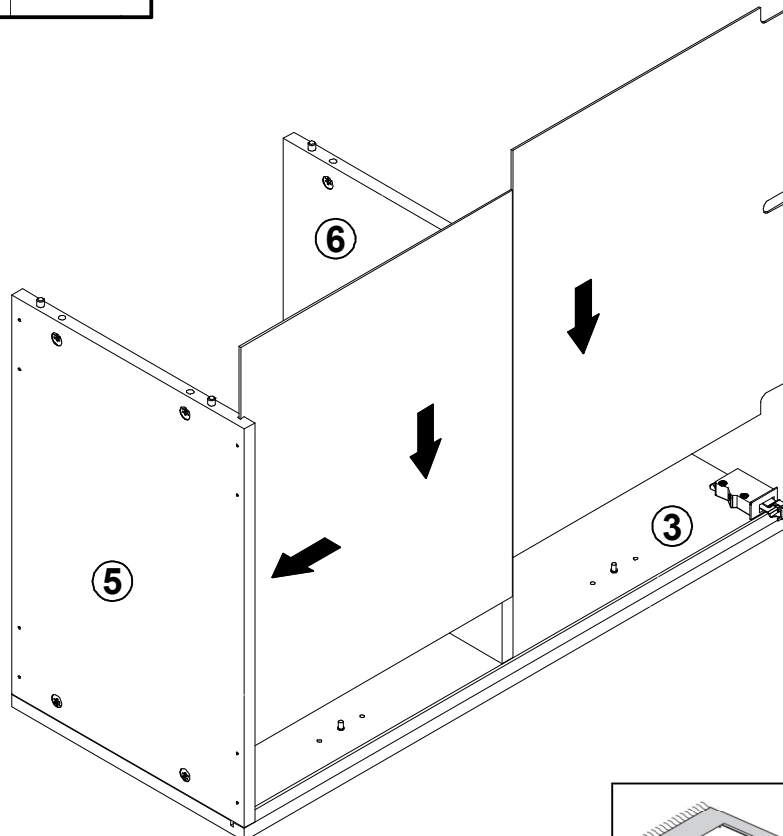
◀ 7



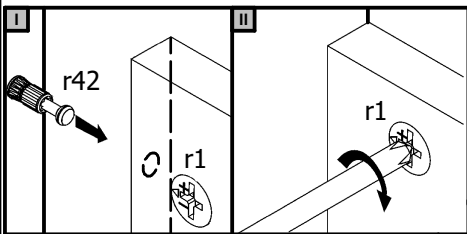
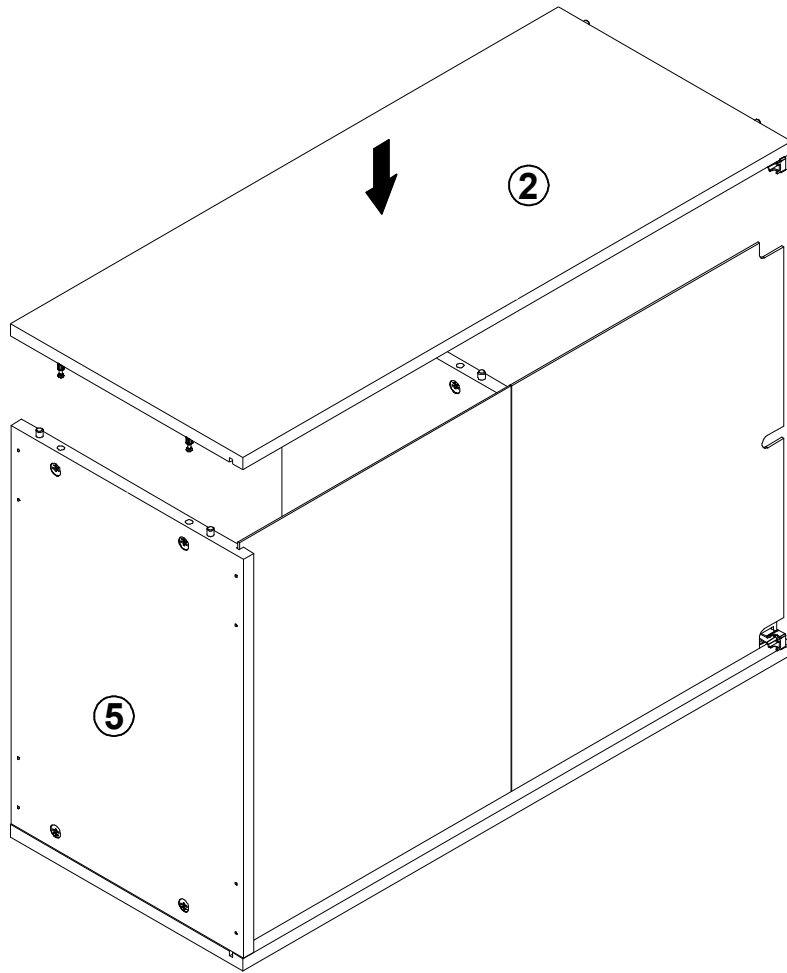
8 ▶



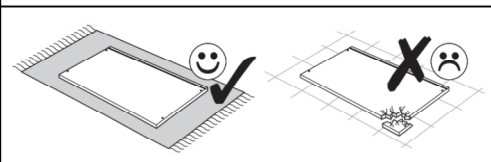
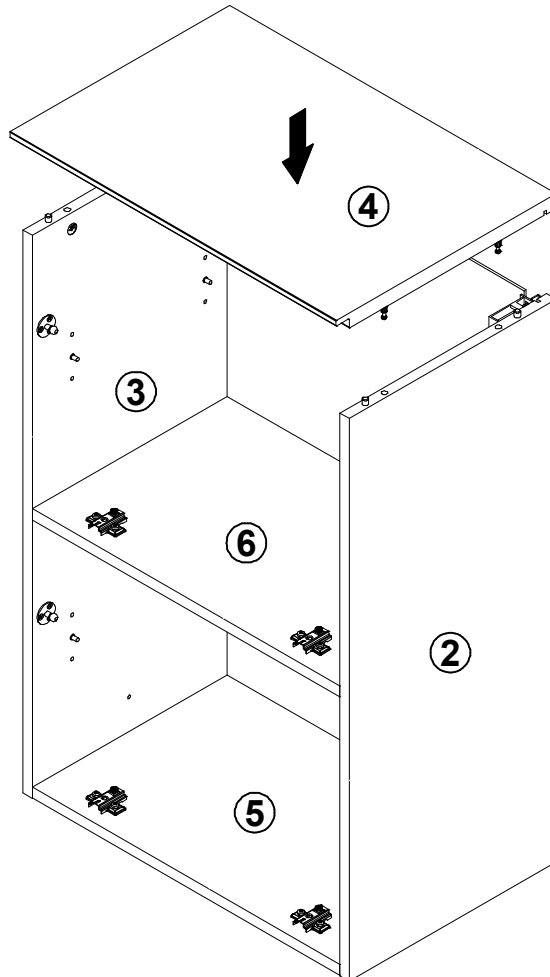
◀ 9




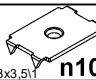

10 ▶

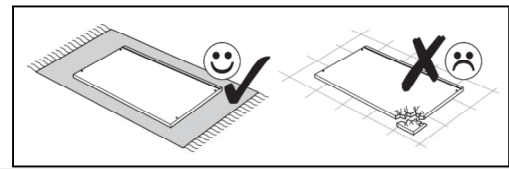
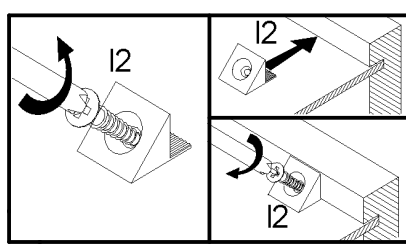
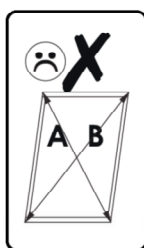
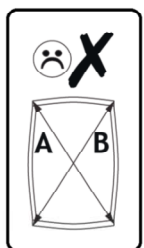
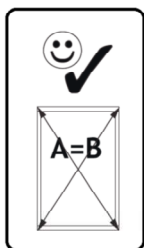
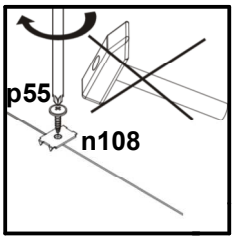
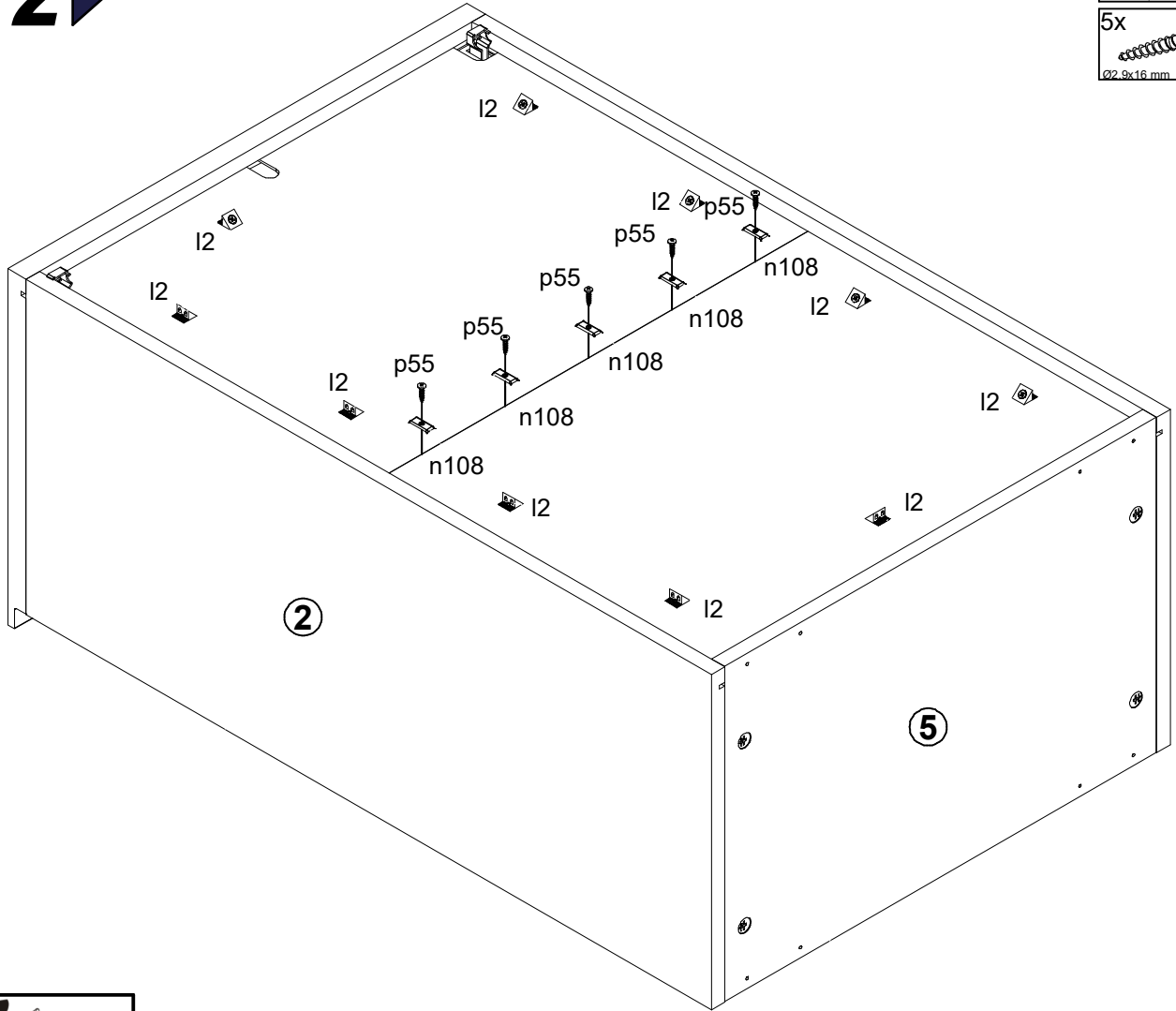


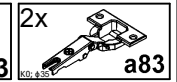
▶ 11



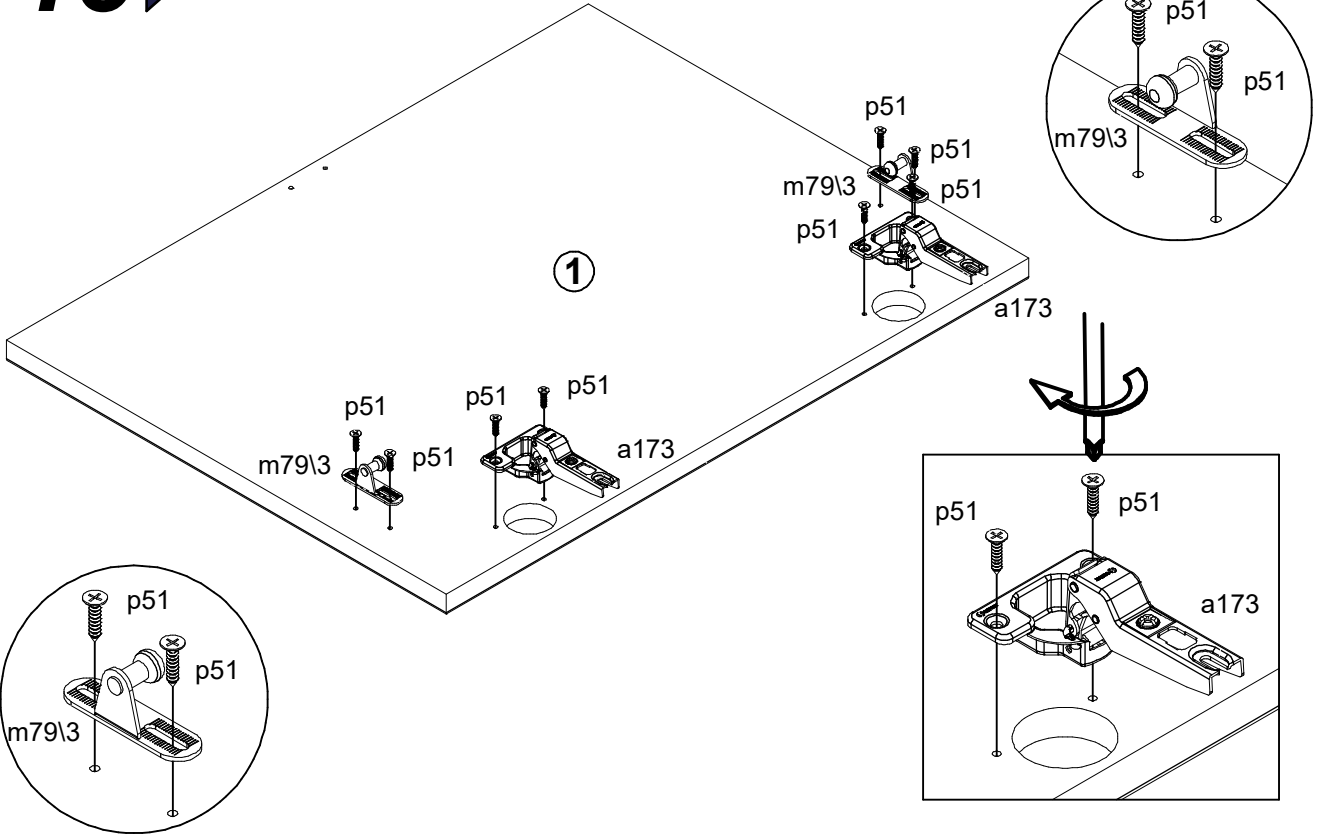
12 ▶

- 10x  I2
- 5x  n108
20x13x3.51
- 5x  p55
Ø2.9x16 mm

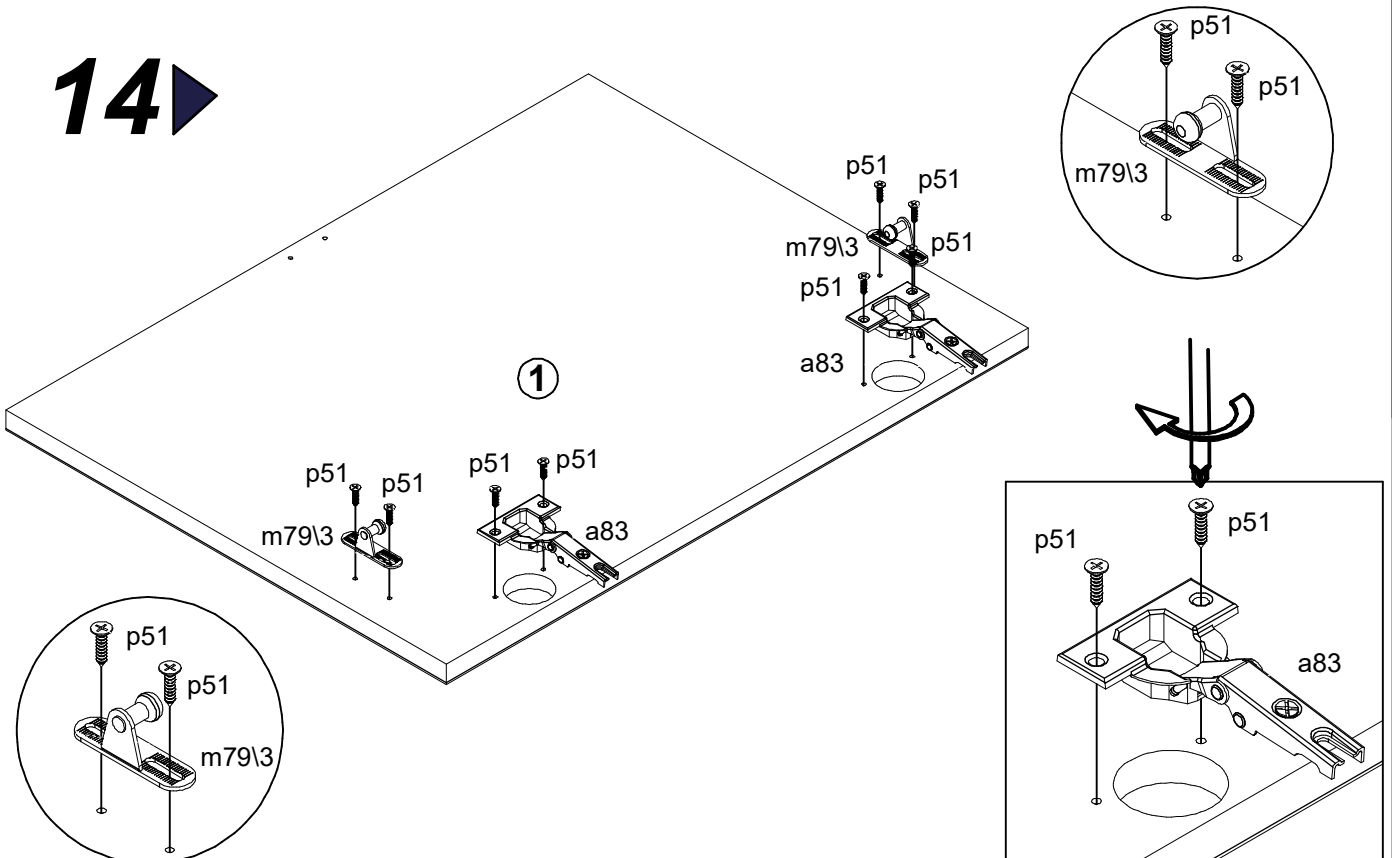




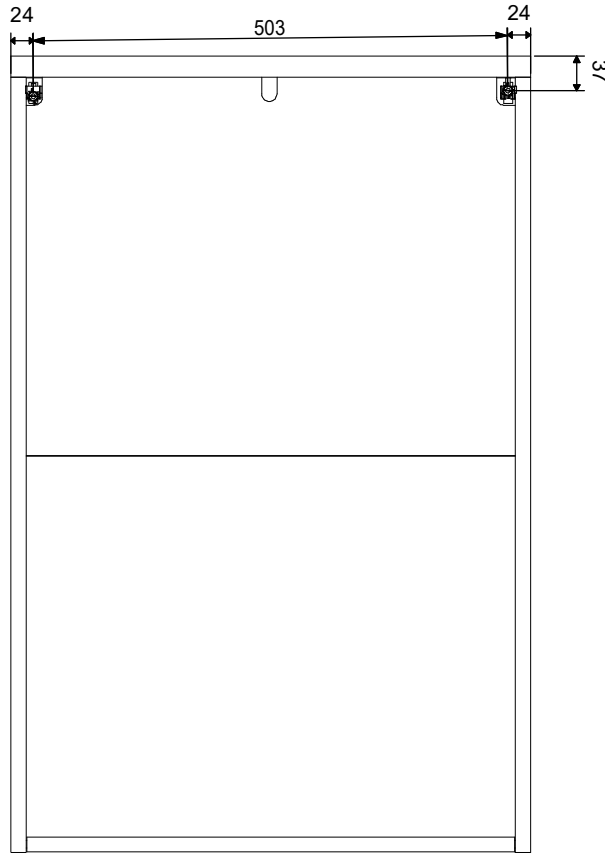
13



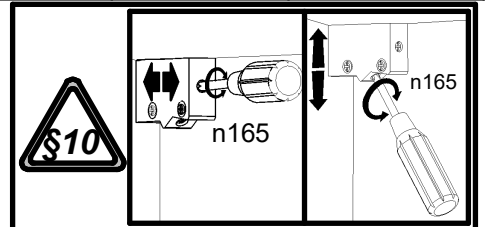
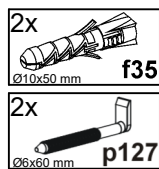
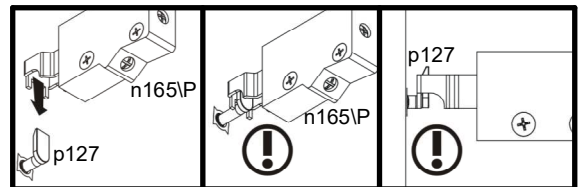
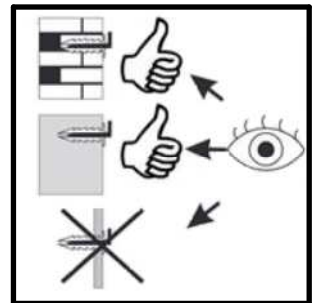
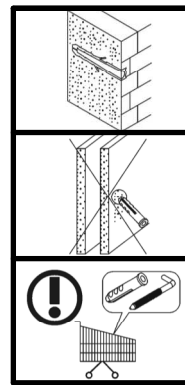
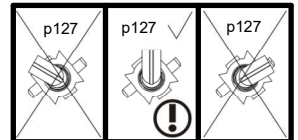
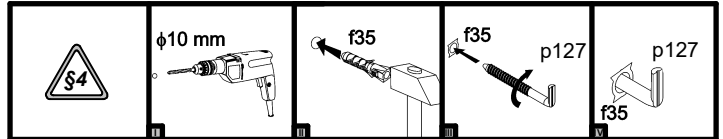
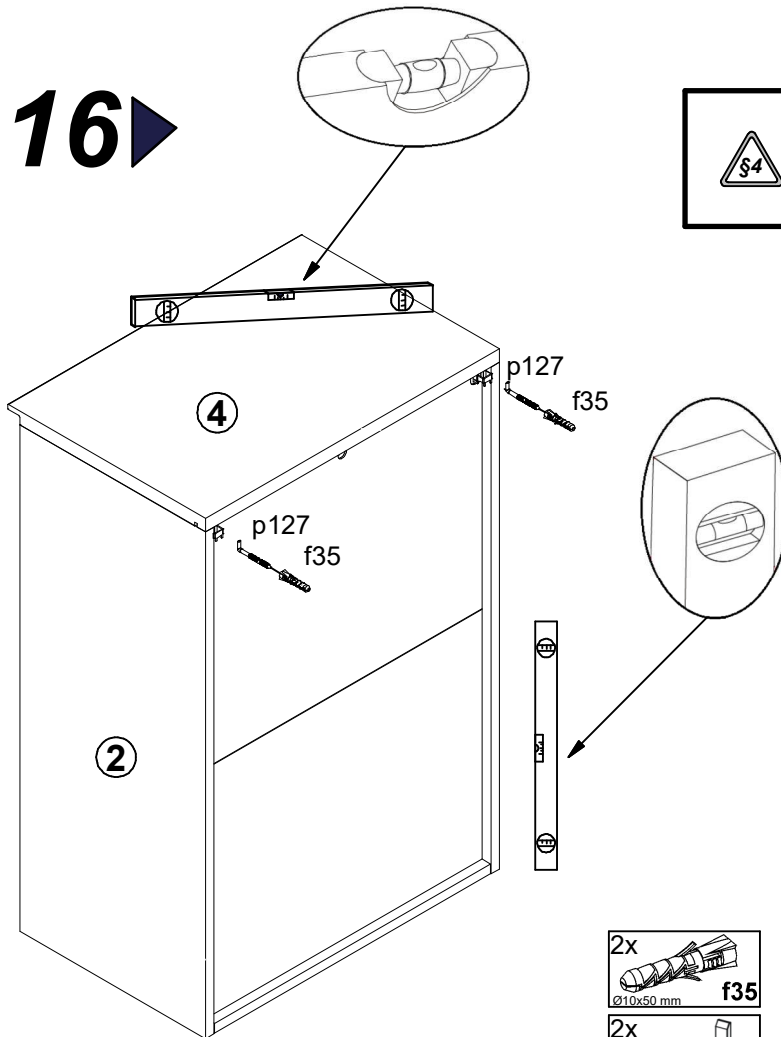
14





15 ▶

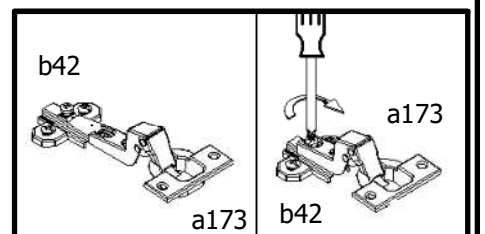
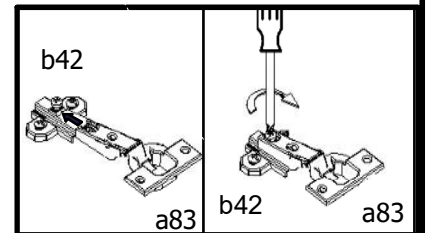
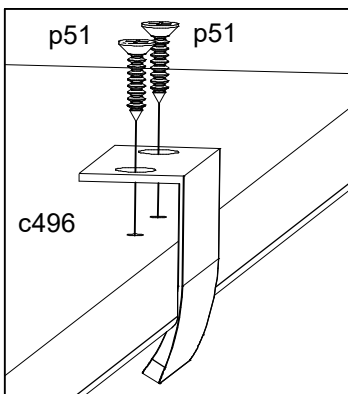
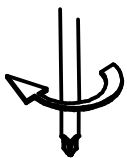
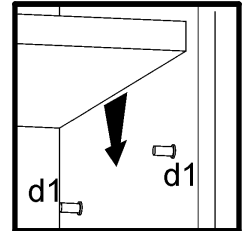
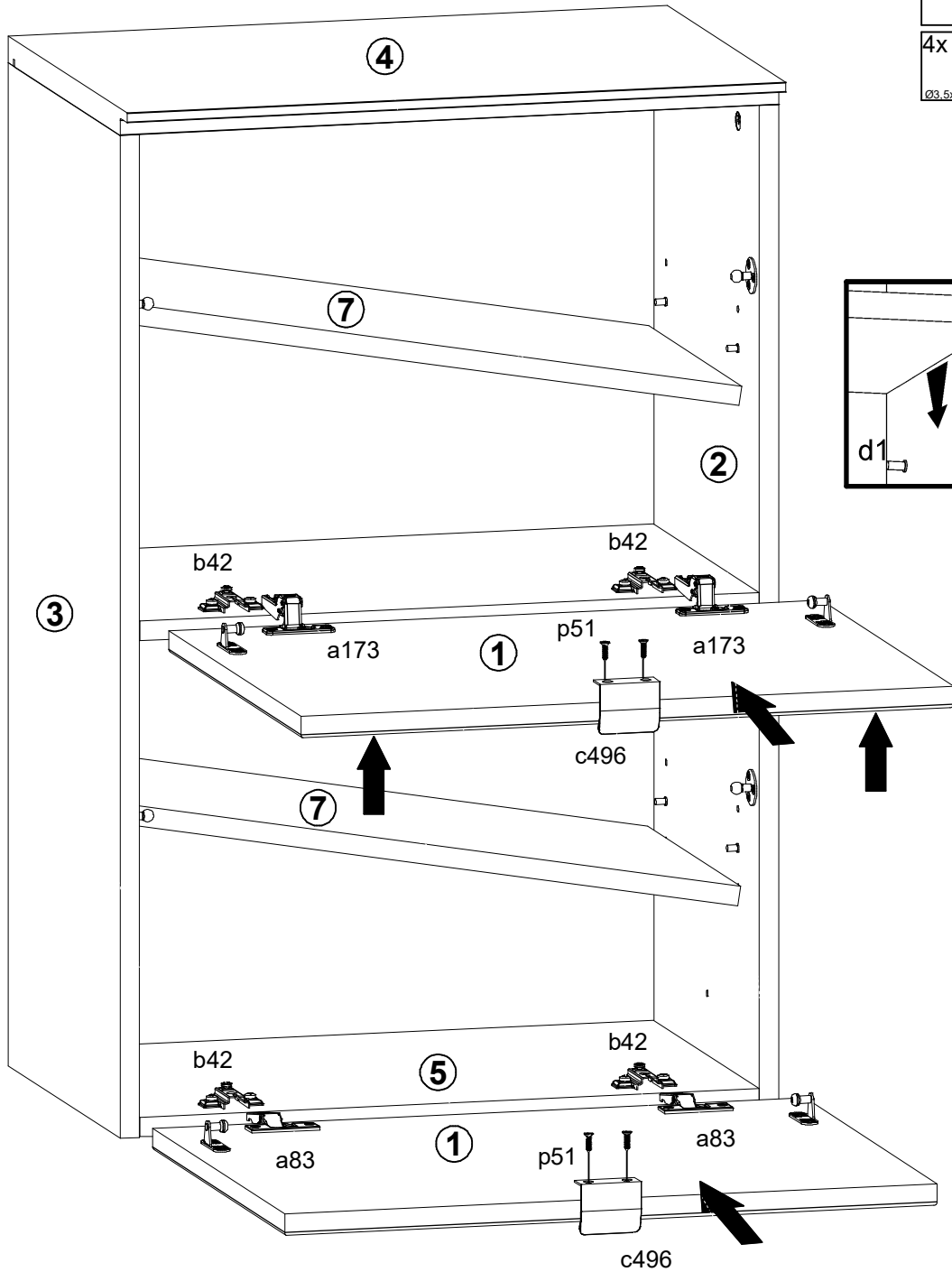


16 ▶

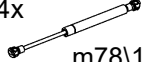



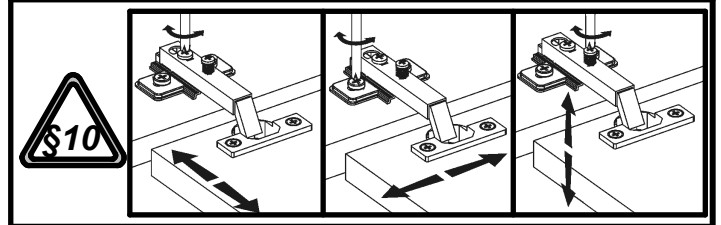
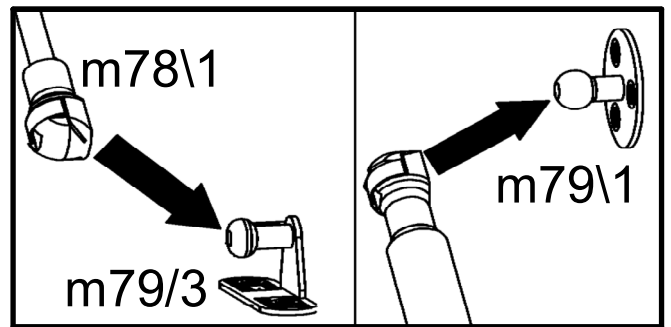
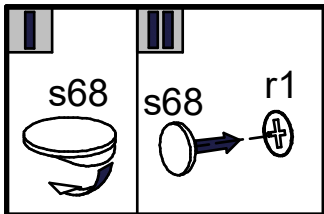
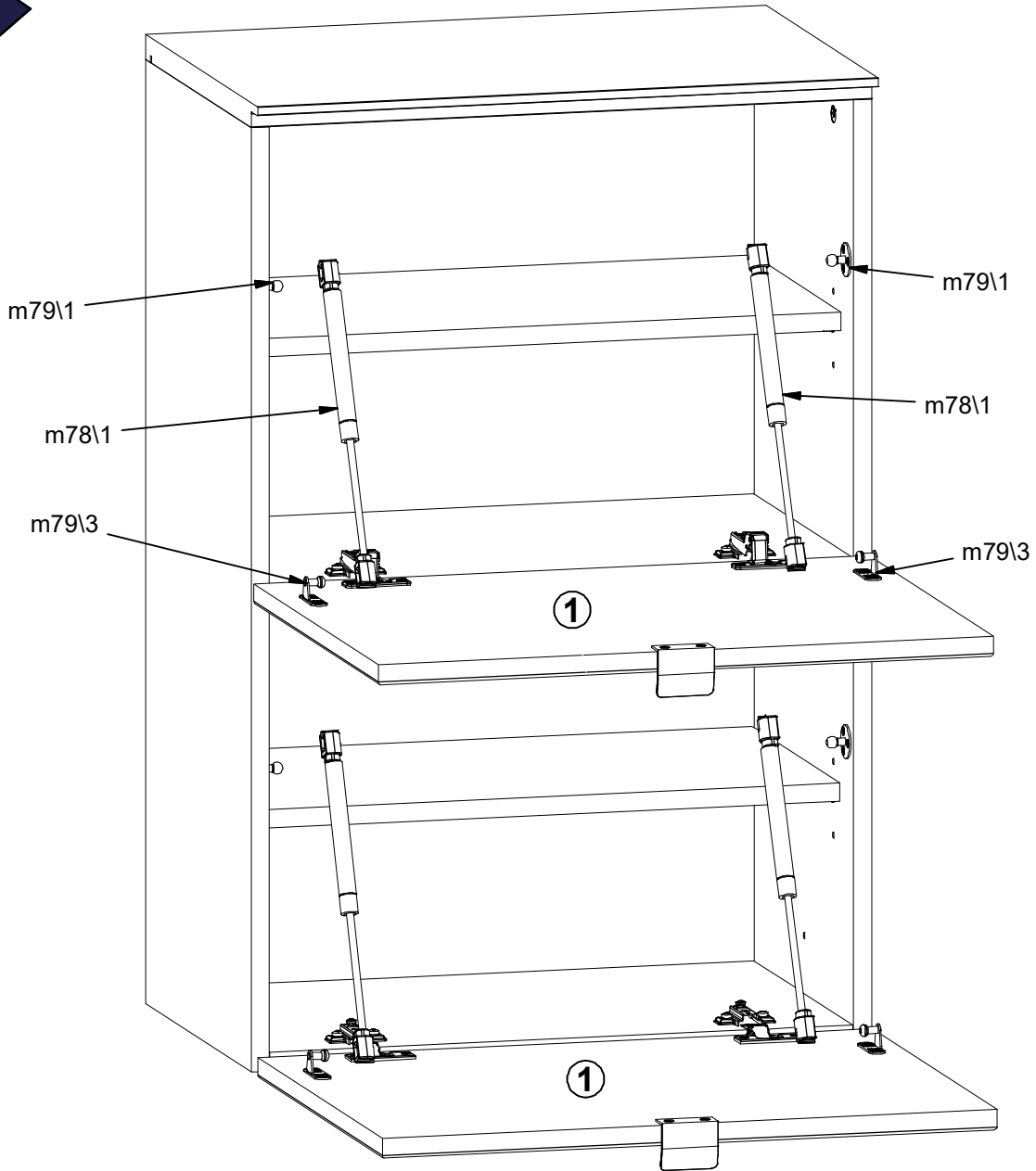
17

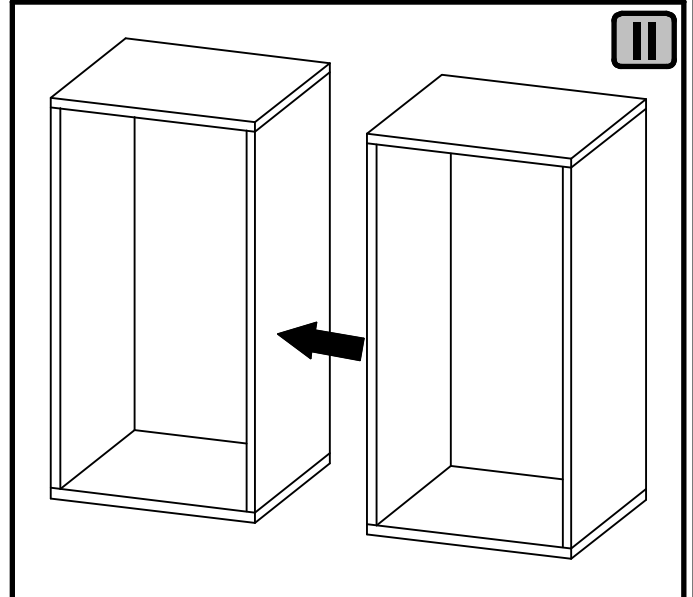
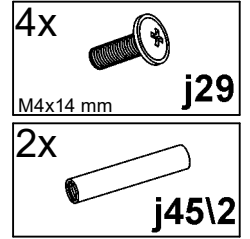
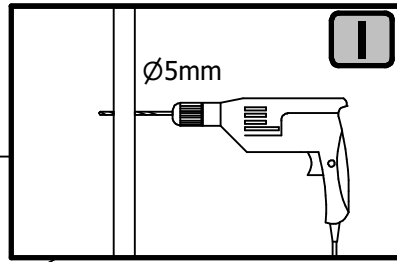
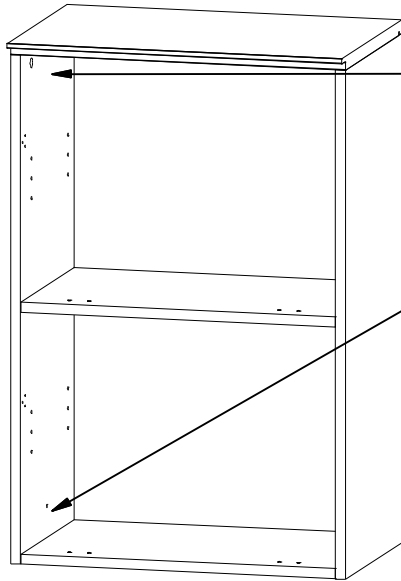
- 2x  c496
- 4x  p51
Ø3.5x15 mm



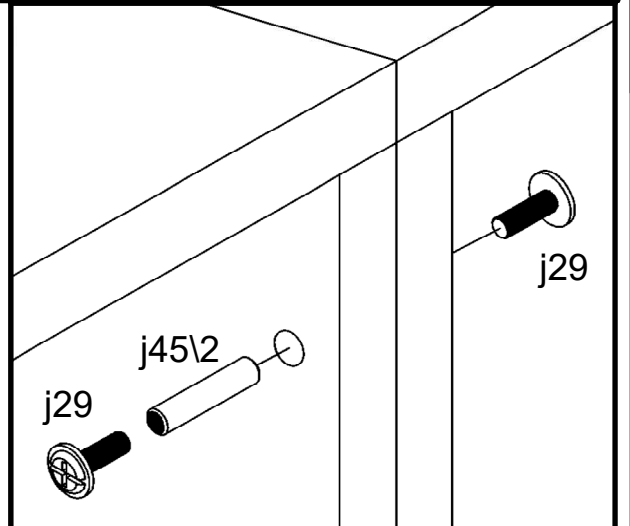
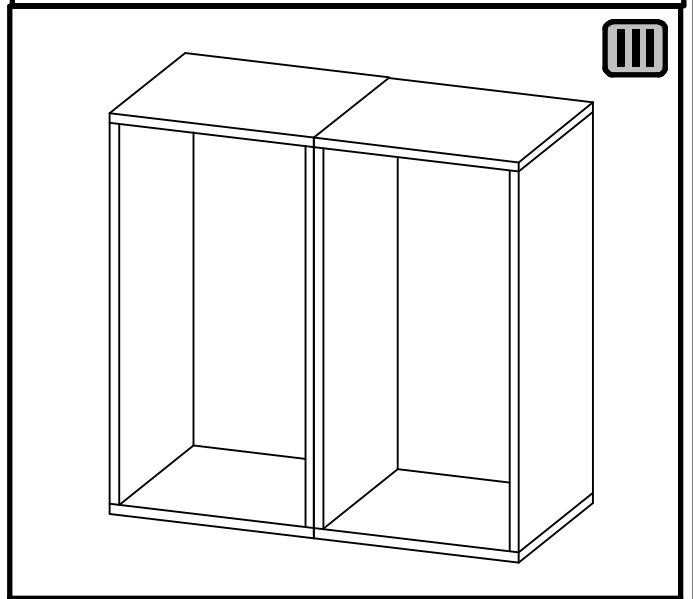
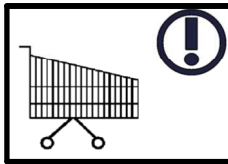
18 ▶

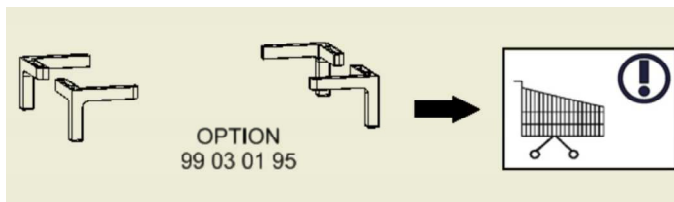
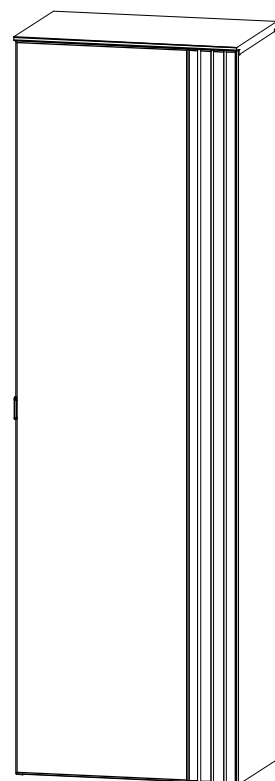
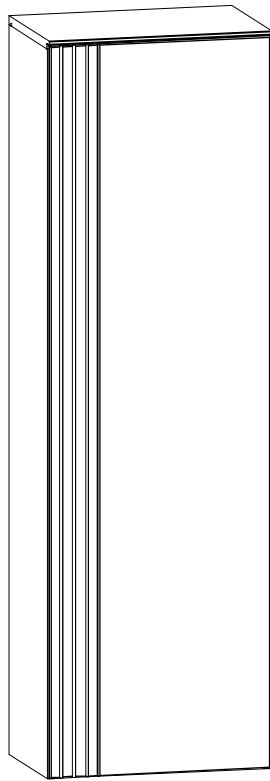
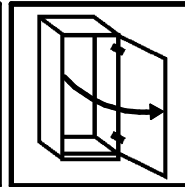
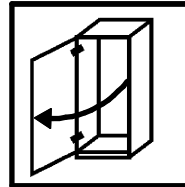
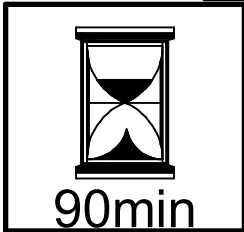
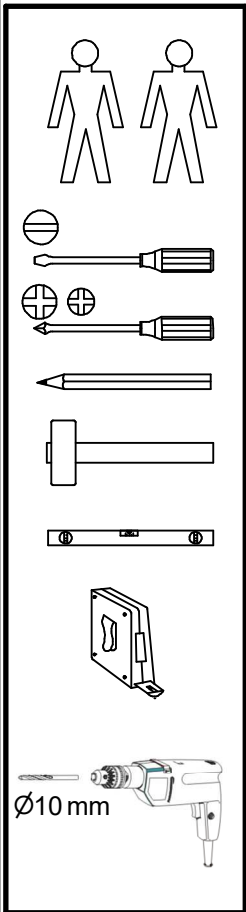
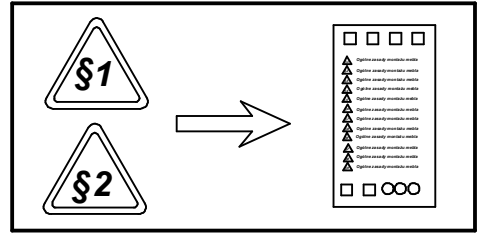
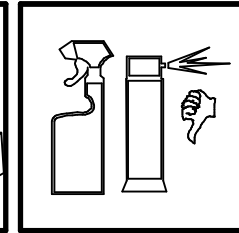
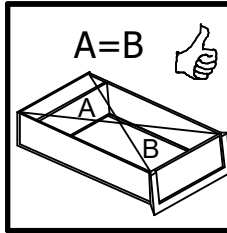
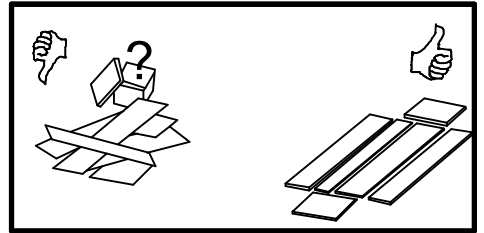
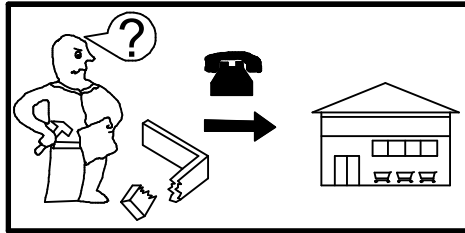
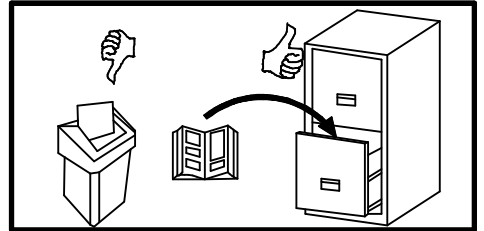
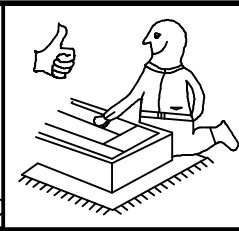
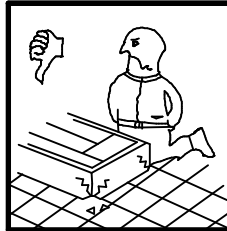
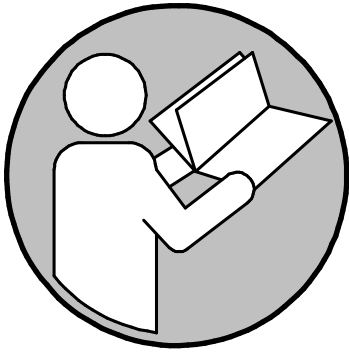
- 4x  m78\1
- 12x  s68
Ø 20mm

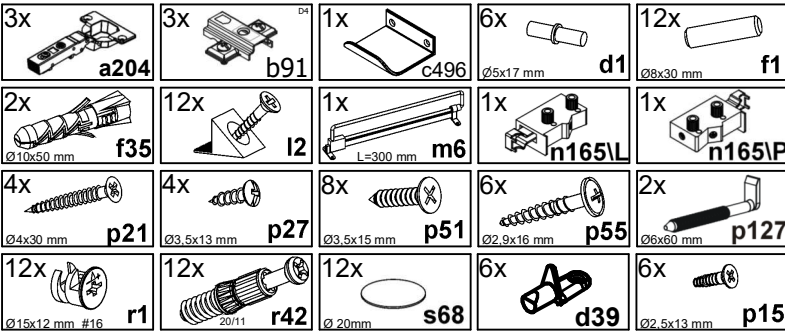




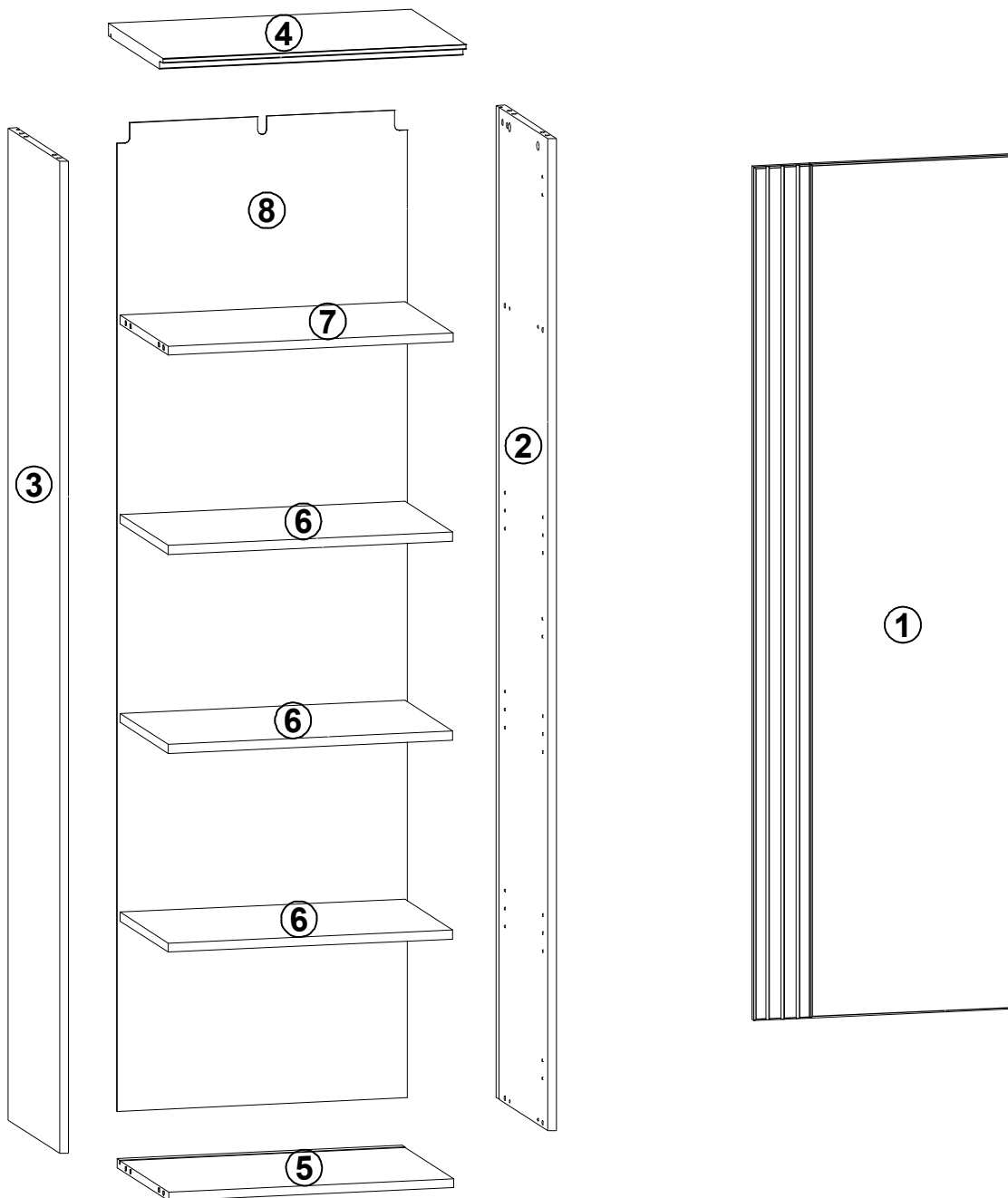
OPTION

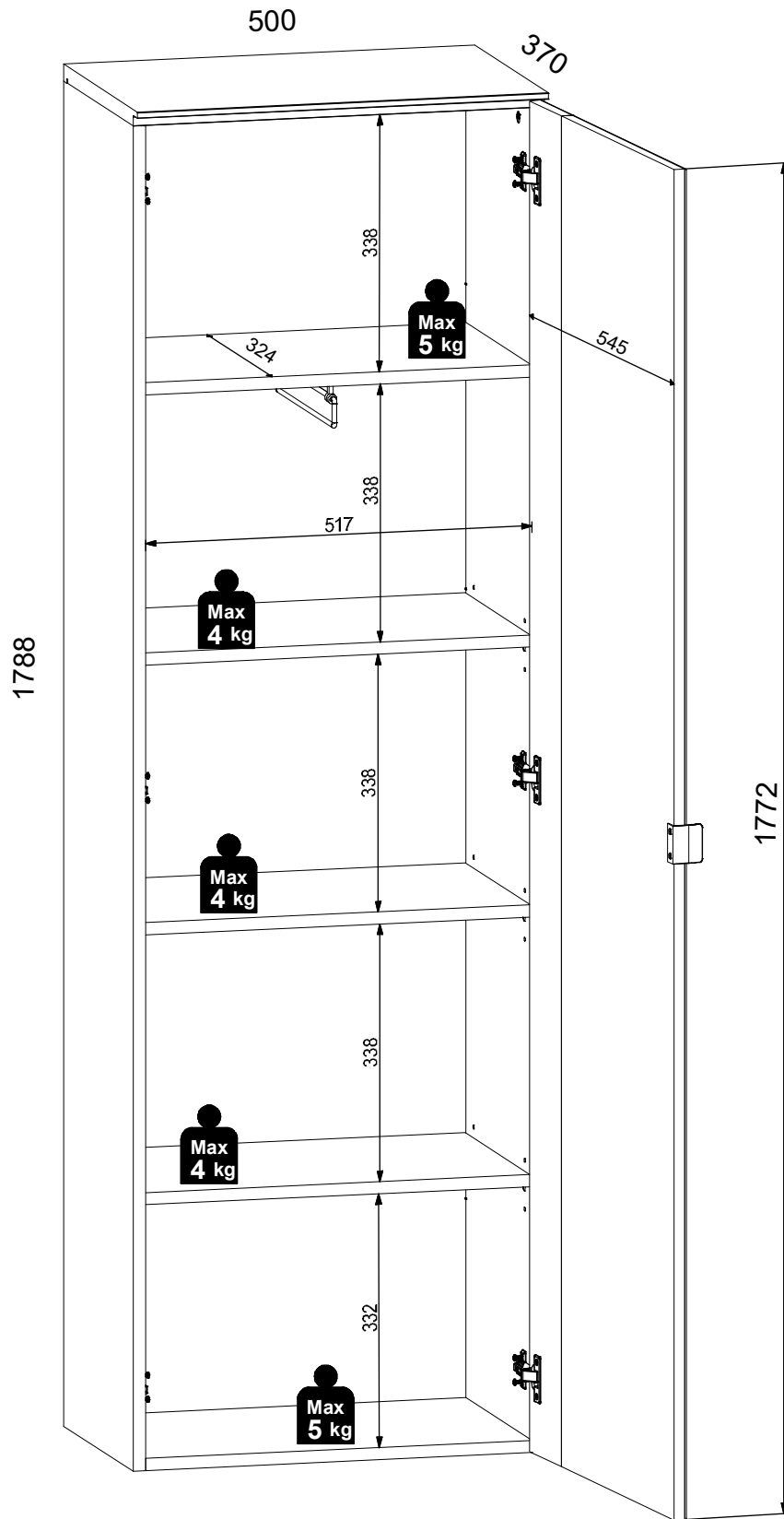




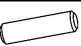



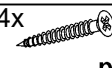





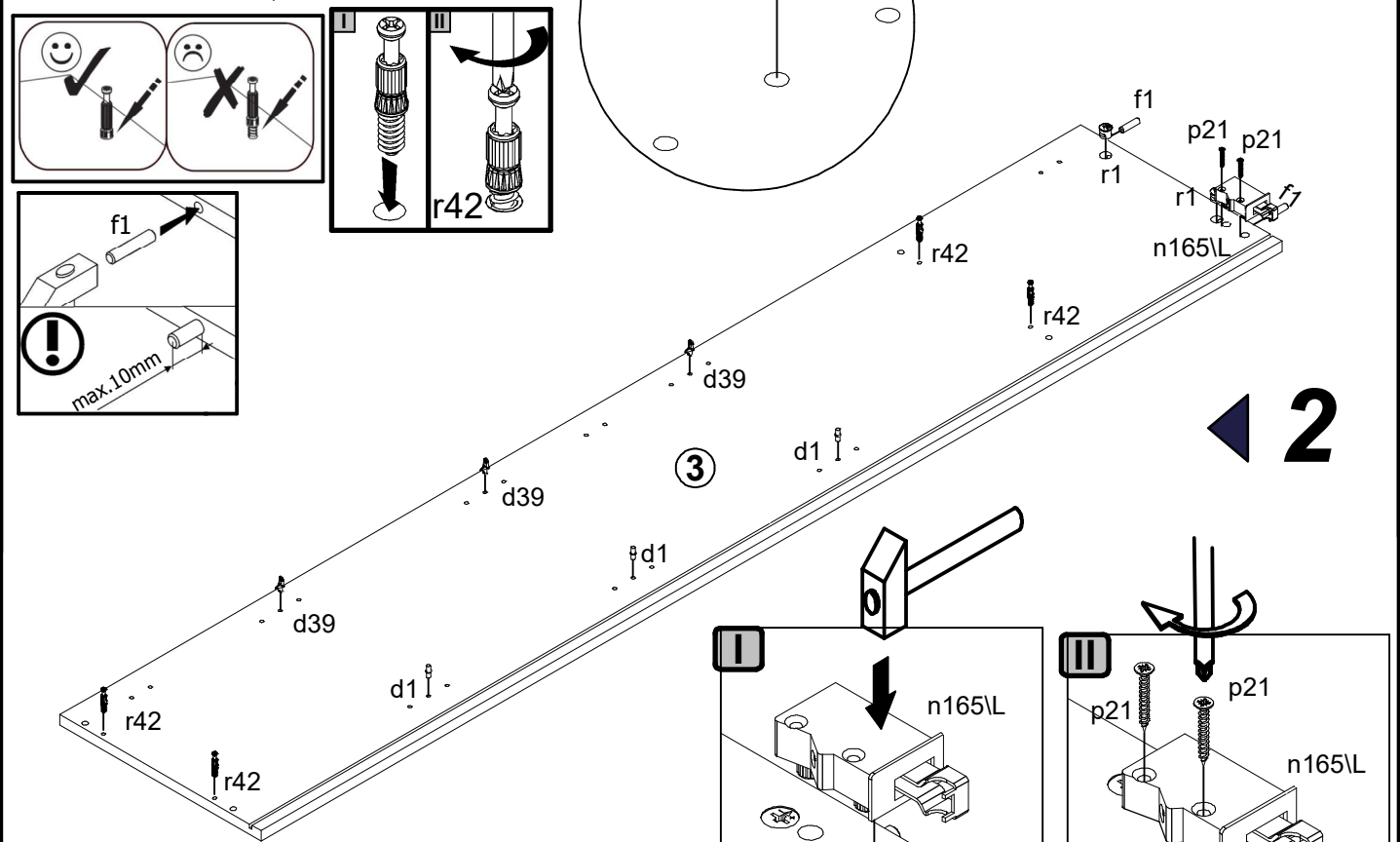
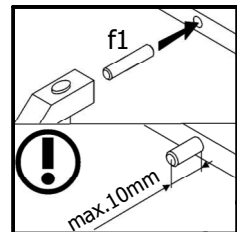
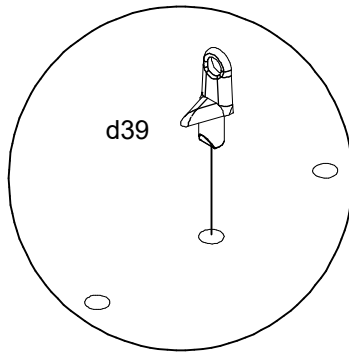
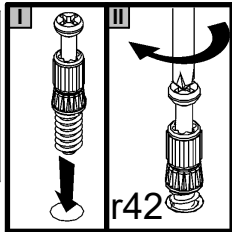
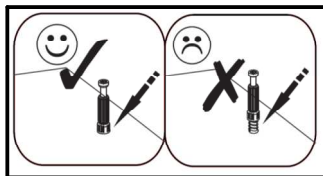
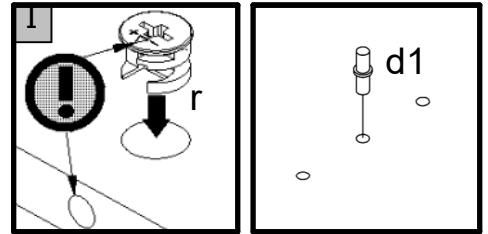
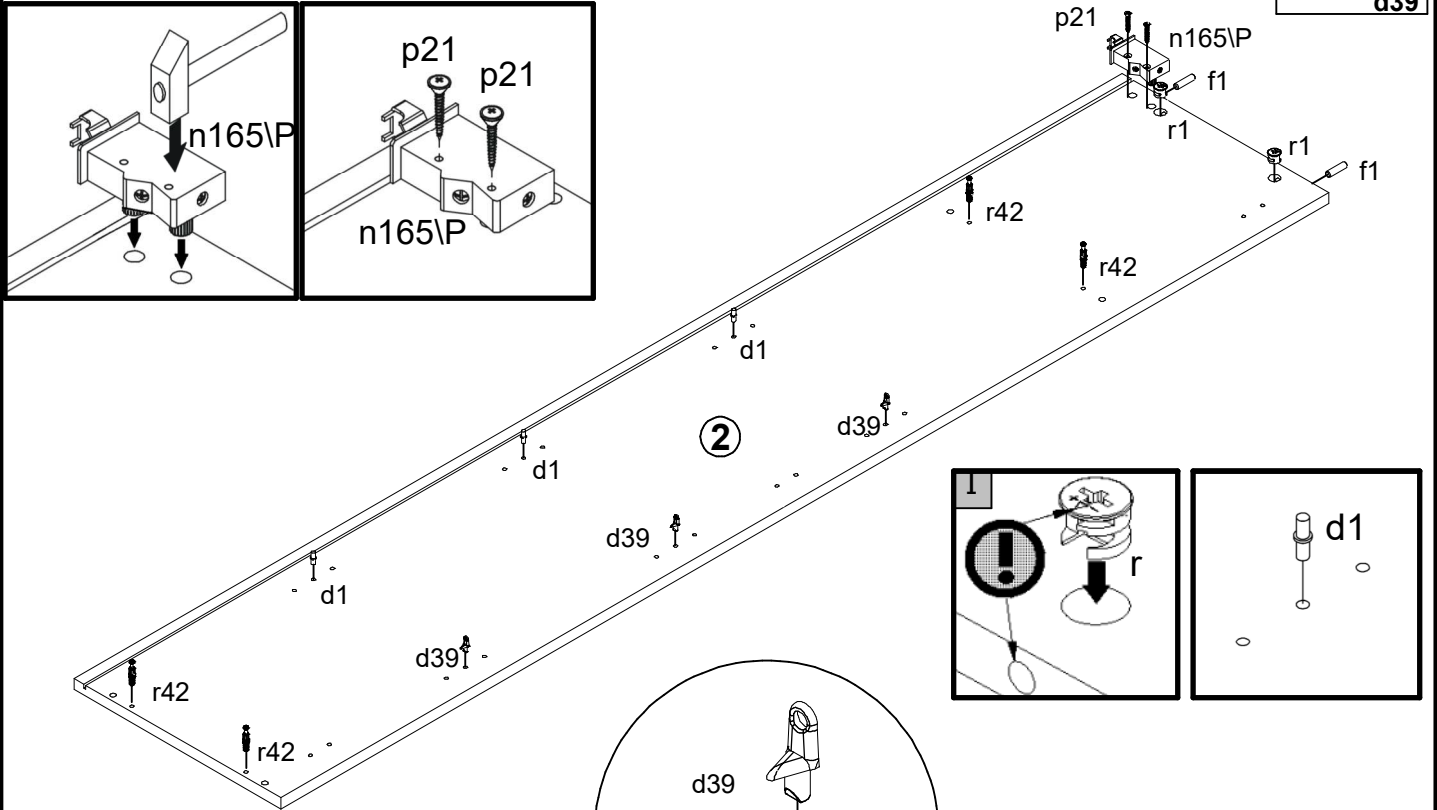
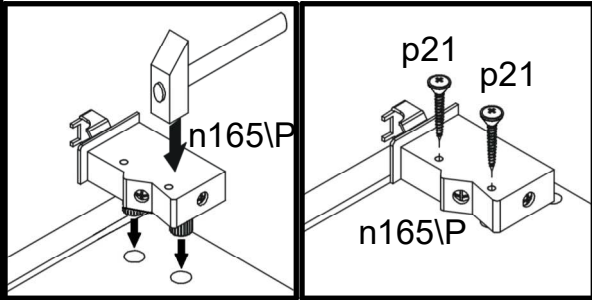
A	B1	B2	C1	C2	C3	C4	D
1	M278-0006	-	1772	545	18	1	2/2
2	M278-1007	-	1765	348	16	1	2/2
3	M278-1008	-	1765	348	16	1	2/2
4	M278-2002	-	550	370	22	1	1/2
5	M278-3010	-	517	348	16	1	1/2
6	M278-3011	-	516	324	16	3	1/2
7	M278-3012	-	517	324	16	1	1/2
8	M278-9004	-	1758	527	2,5	1	2/2



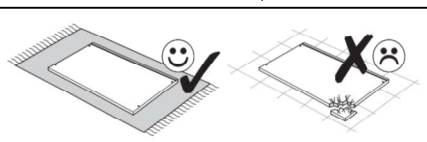
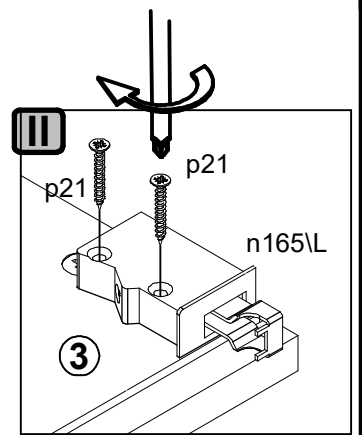
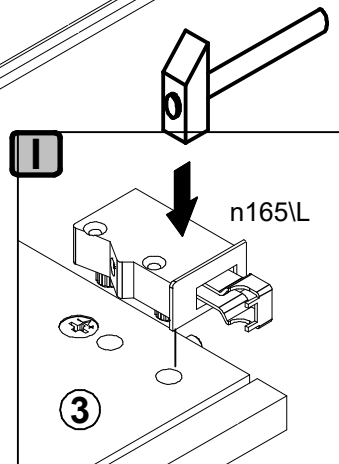


1x  n165P	1x  n165L	4x  f1	4x  r1	8x  r42	6x  d1
					4x  p21
					6x  d39

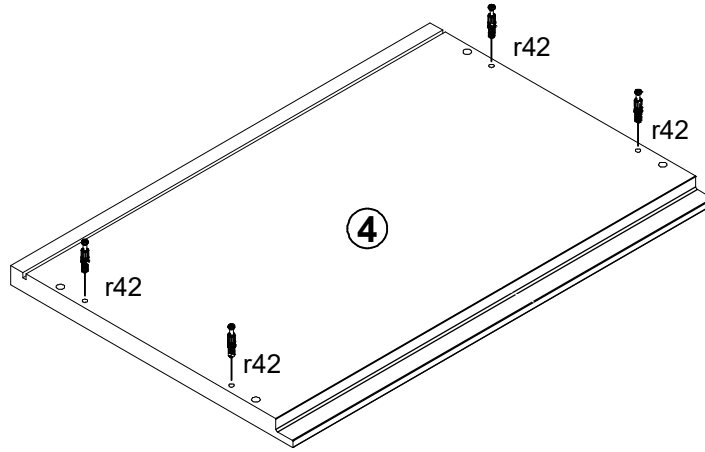
1 ▶


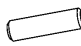

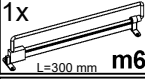
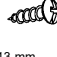


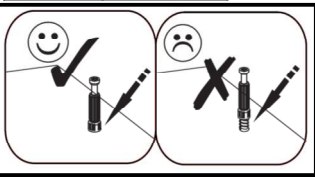
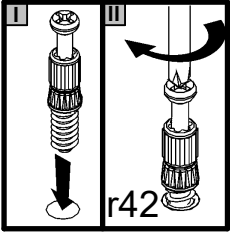
◀ 2



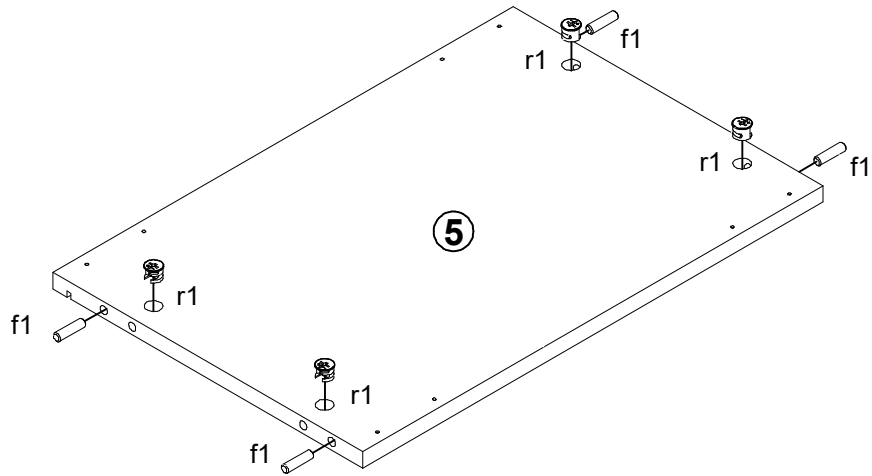
3 ▶



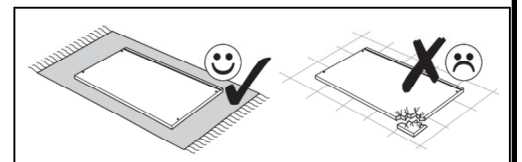
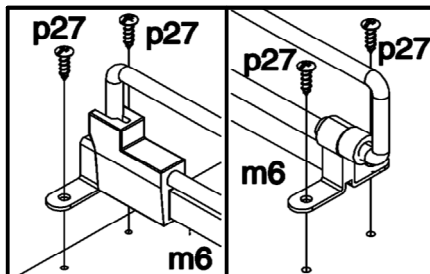
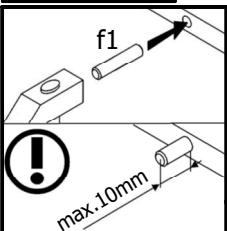
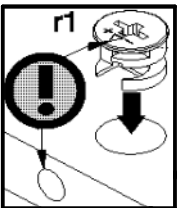
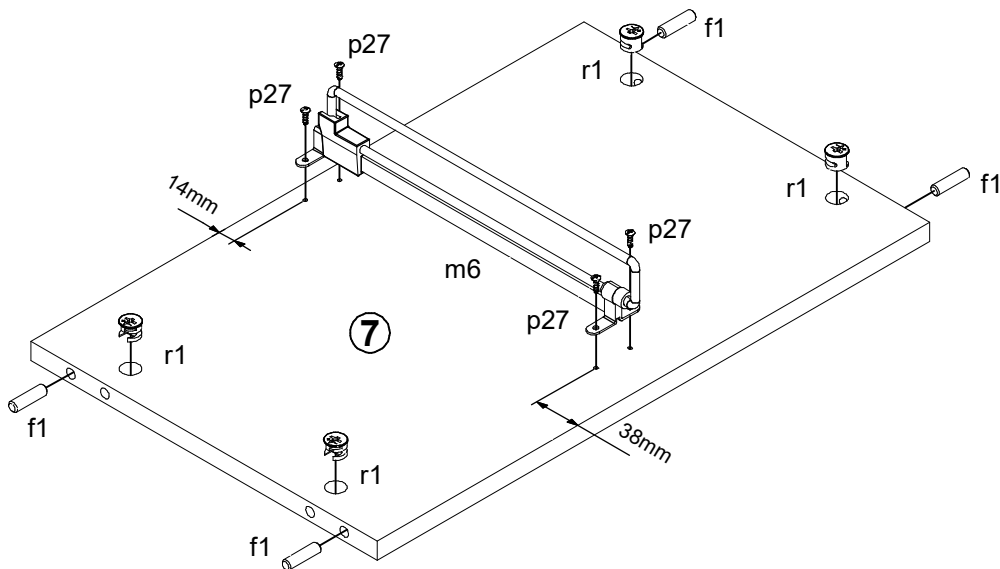
- 4x  r42
- 8x  f1
Ø8x30 mm
- 8x  r1
Ø15x12 mm #16
- 1x  m6
L=300 mm
- 4x  p27
Ø3.5x13 mm



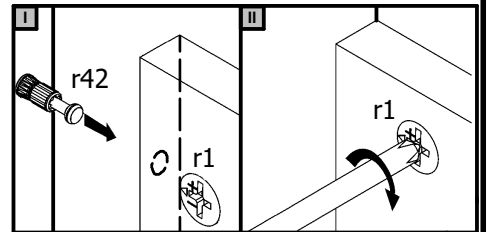
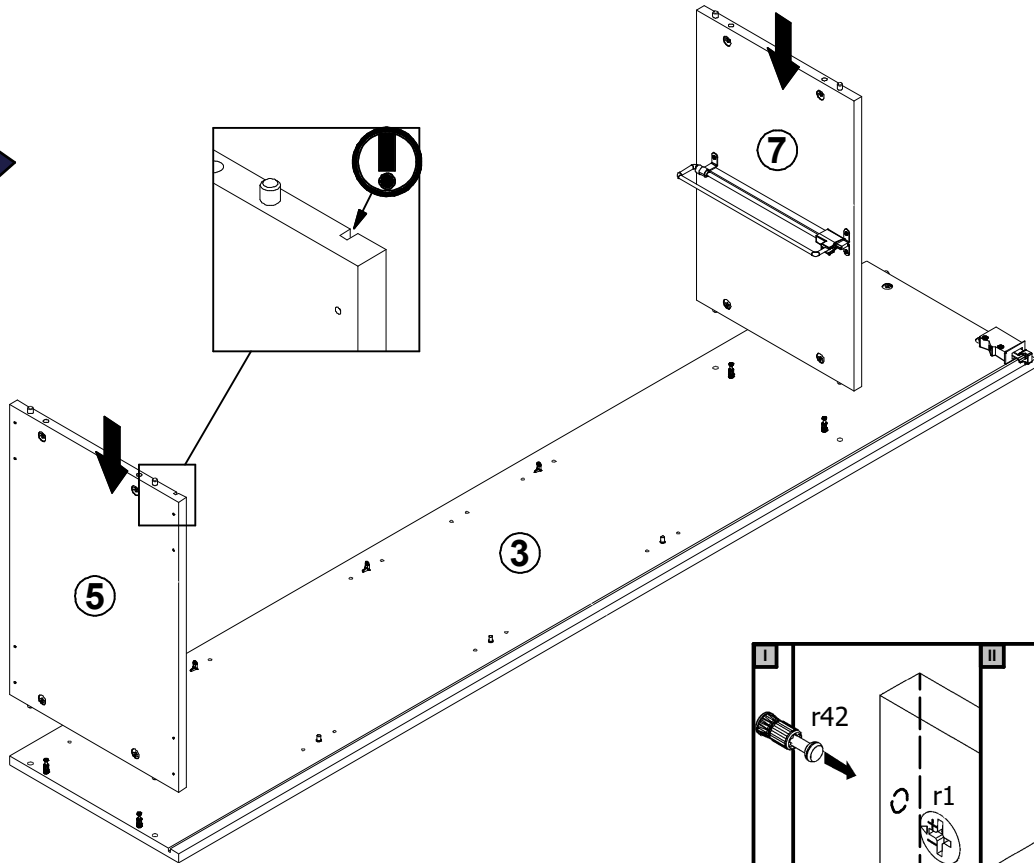
4 ▶



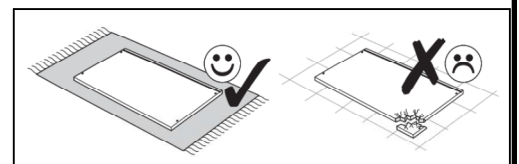
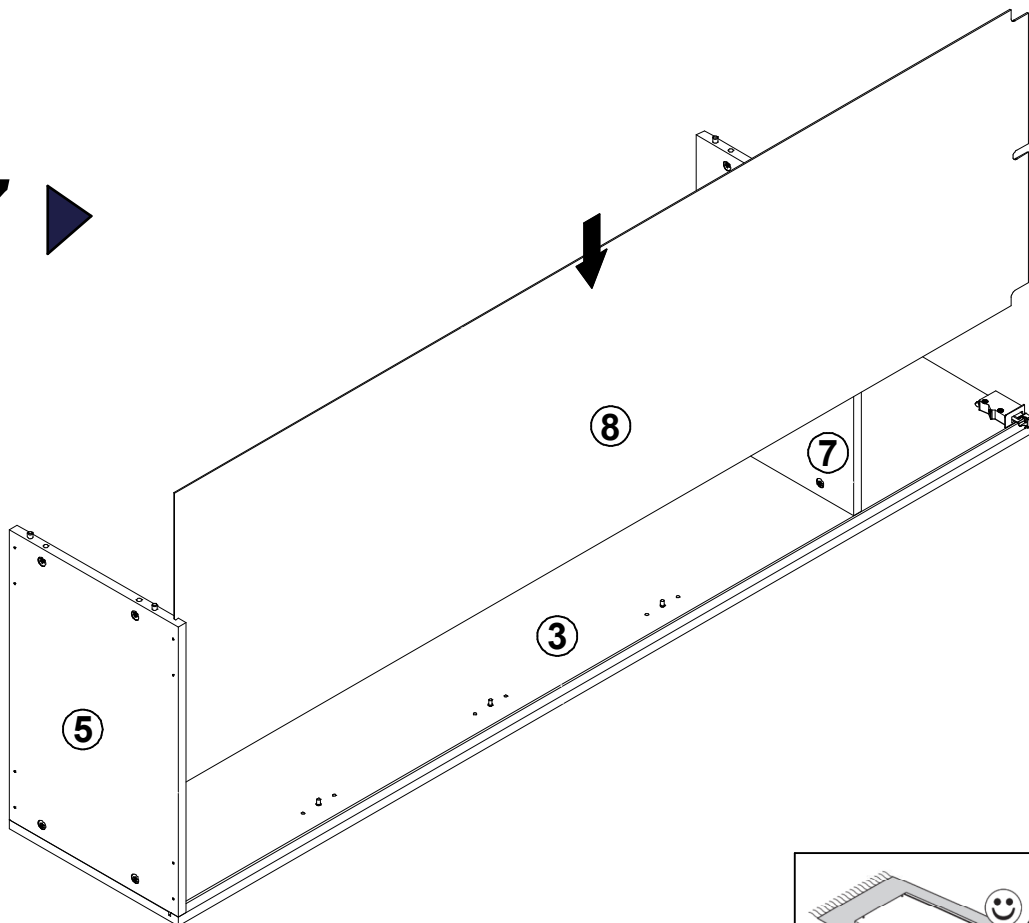
5 ▶



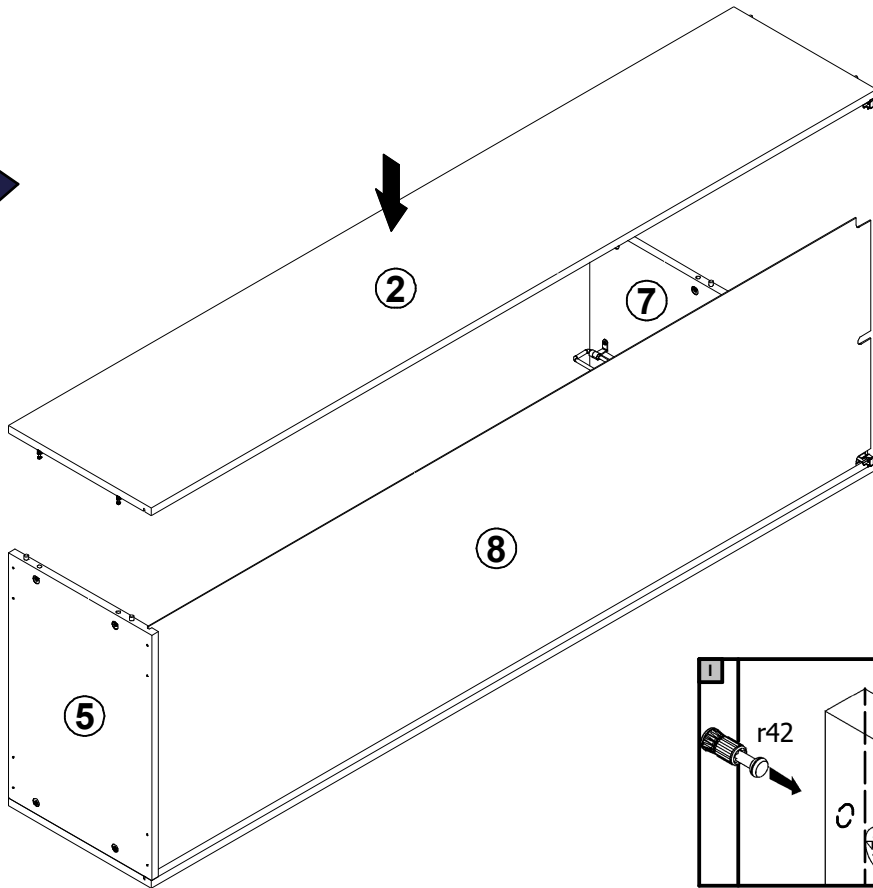
6 ▶



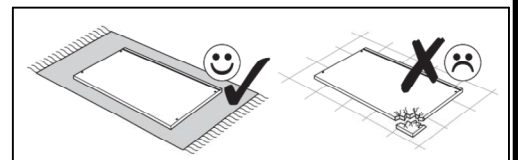
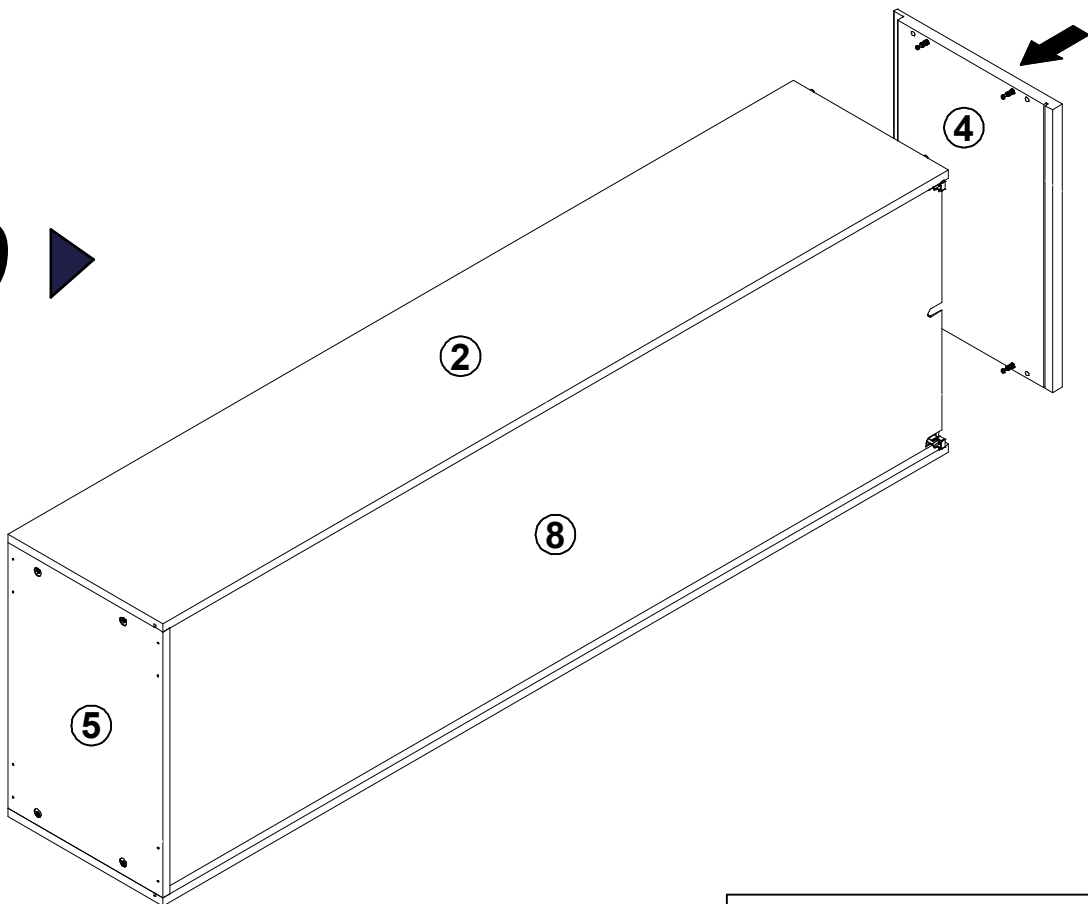
7 ▶

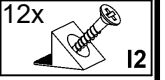
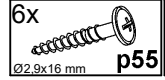


8 ▶

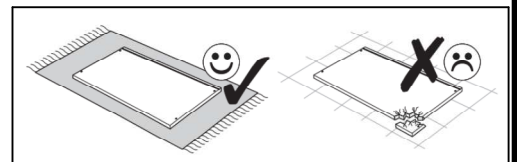
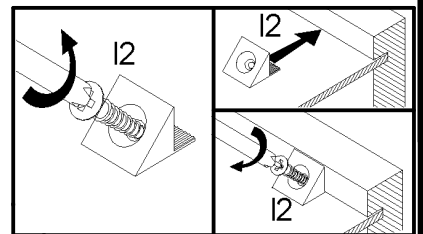
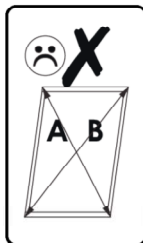
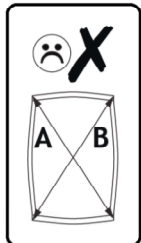
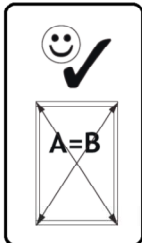
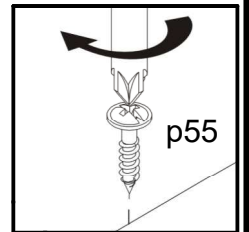
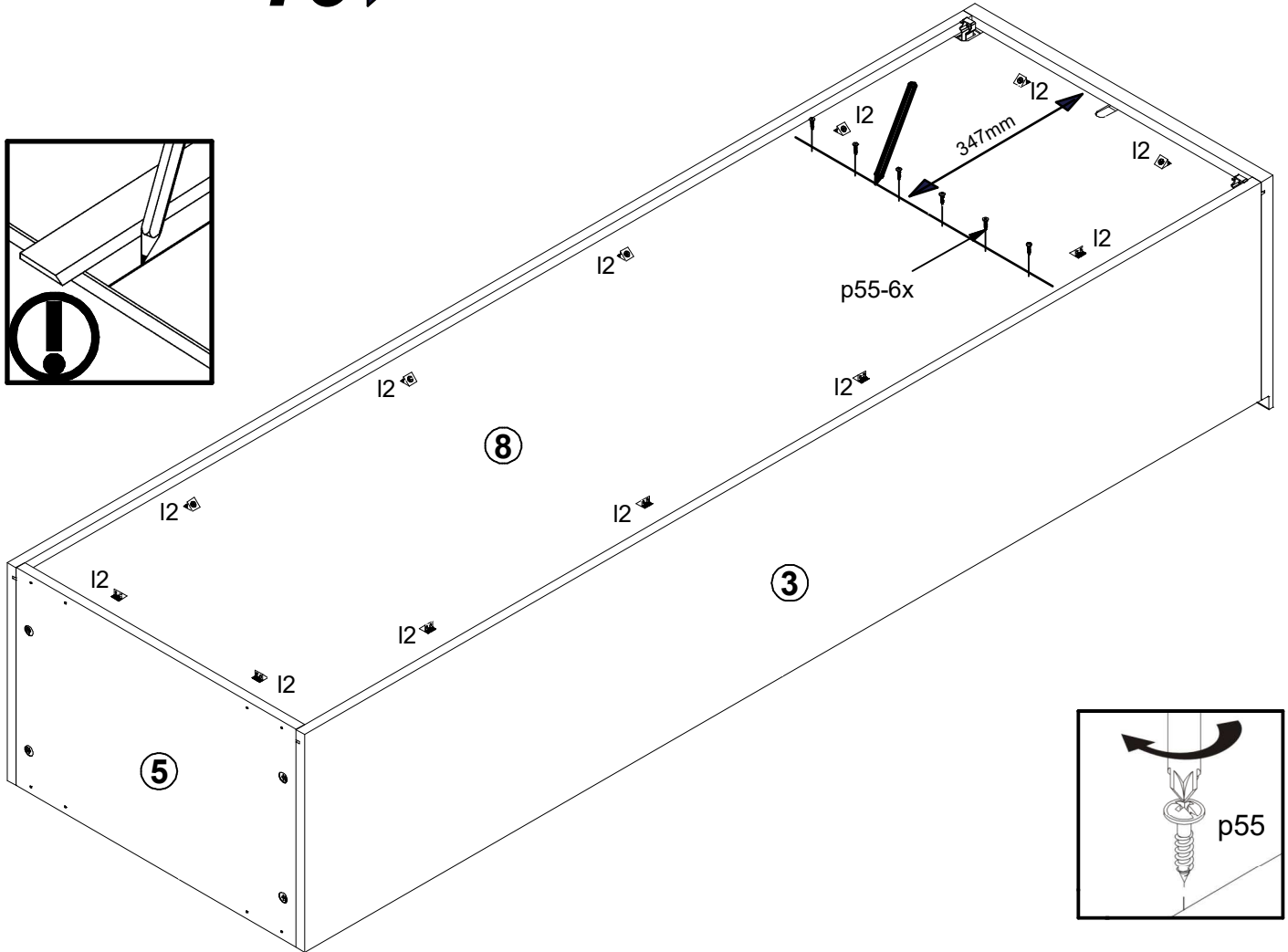
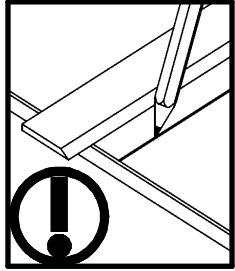


9 ▶

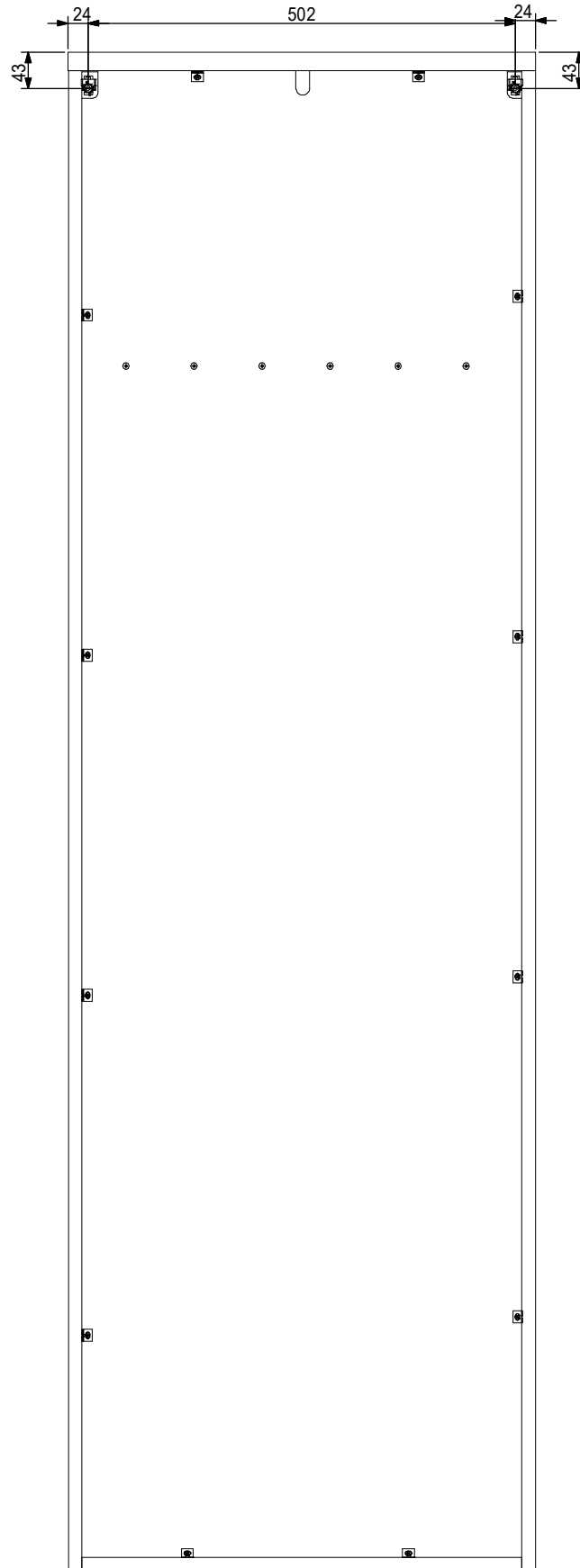


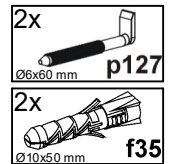
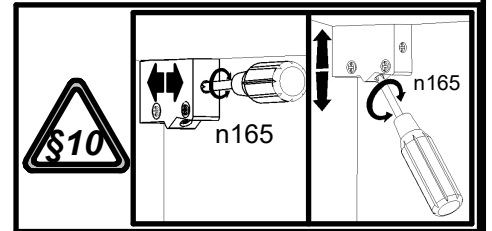
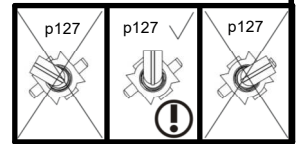
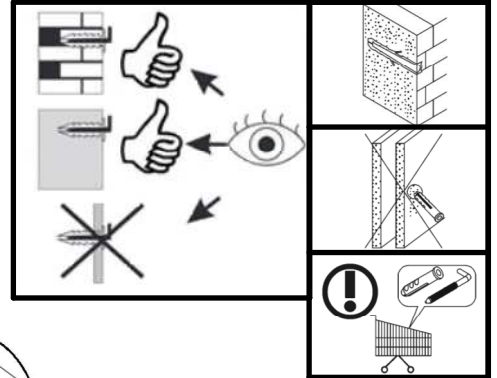
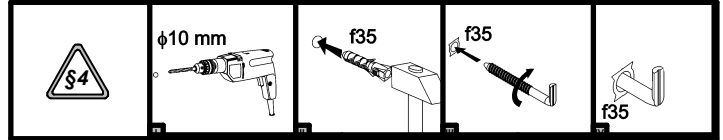
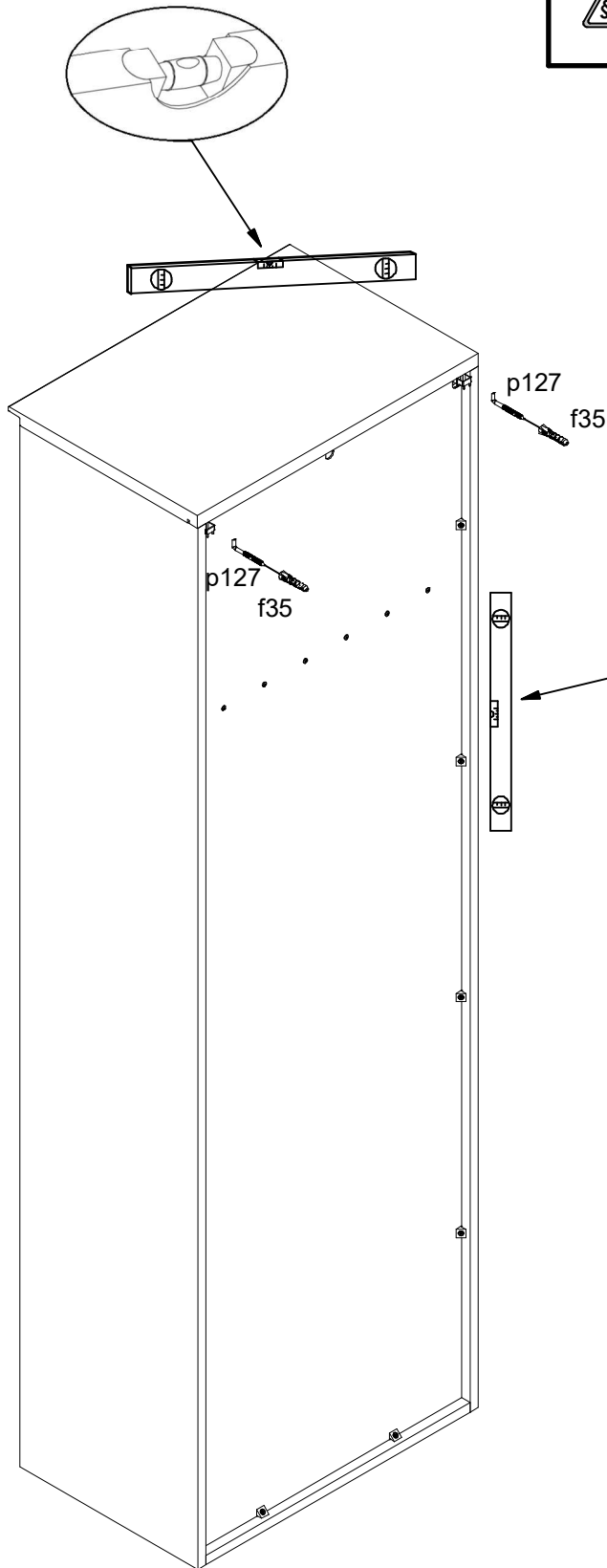


10 ▶

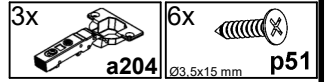


11 ▶

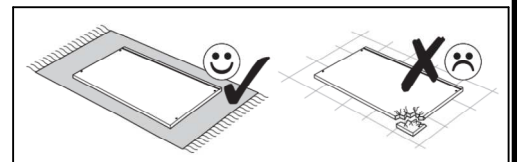
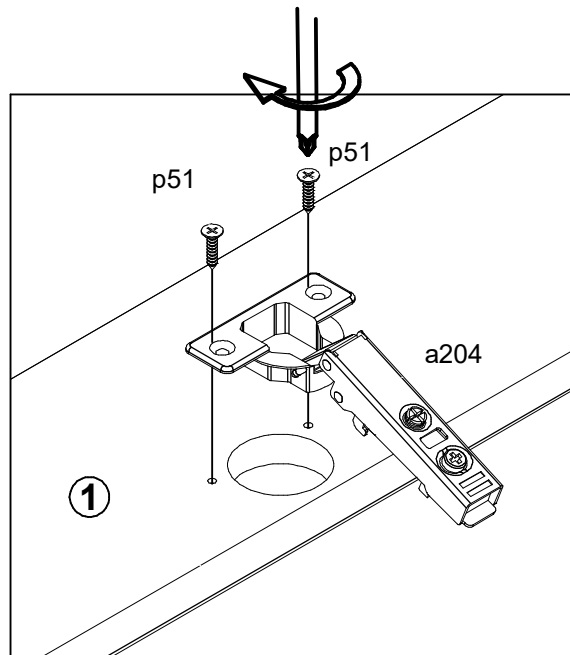
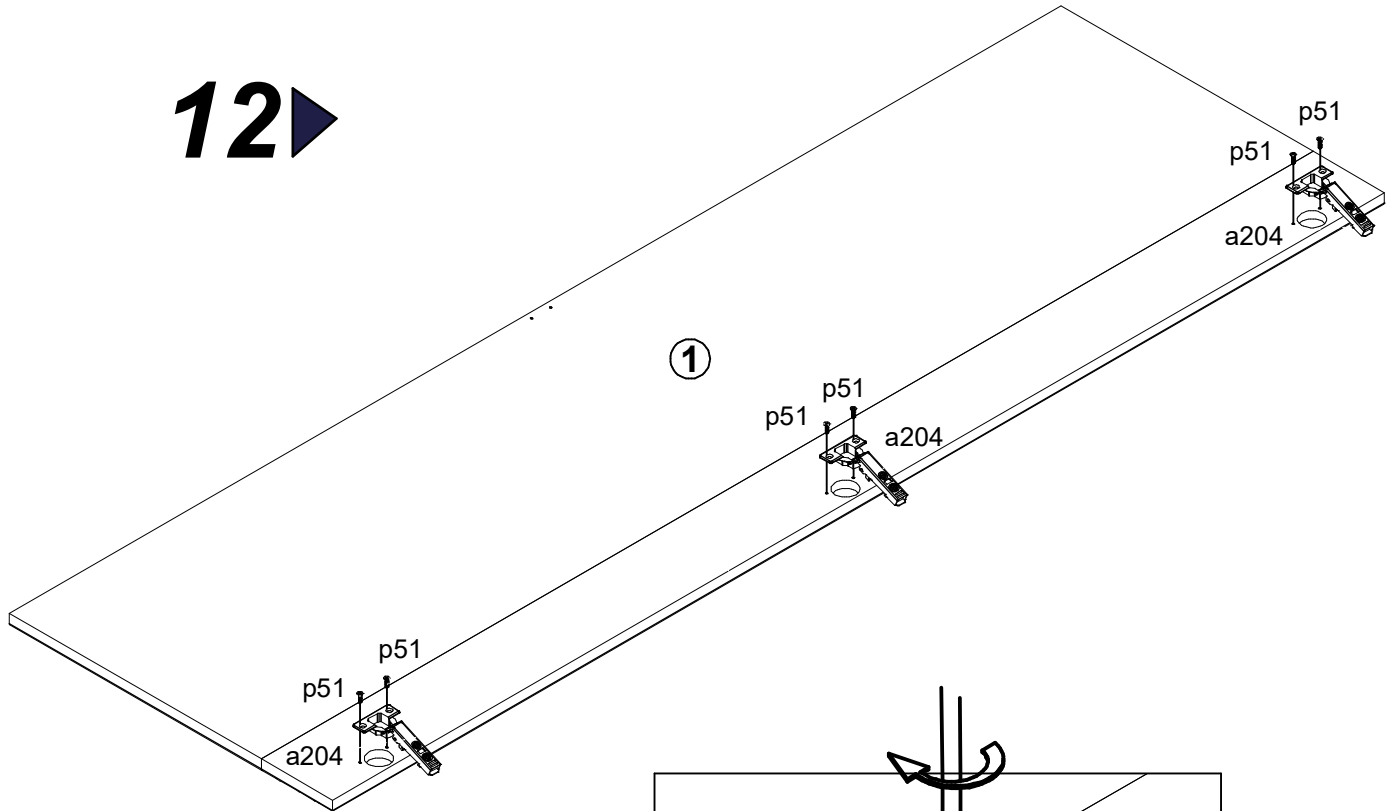


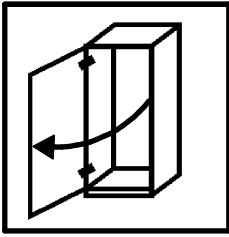


11

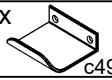



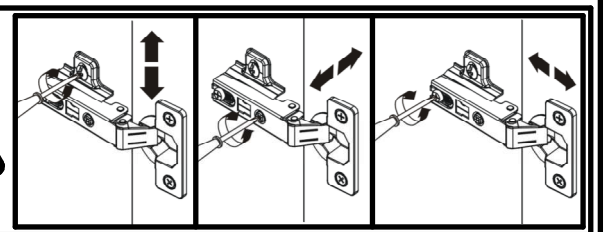
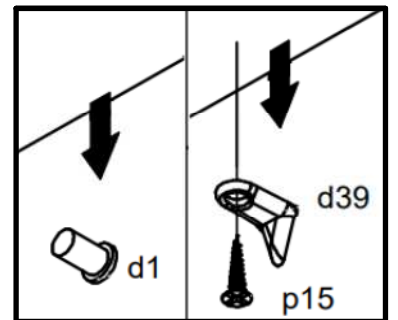
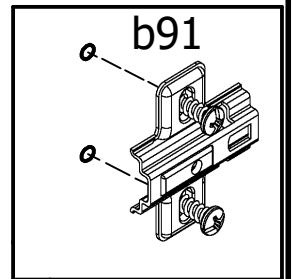
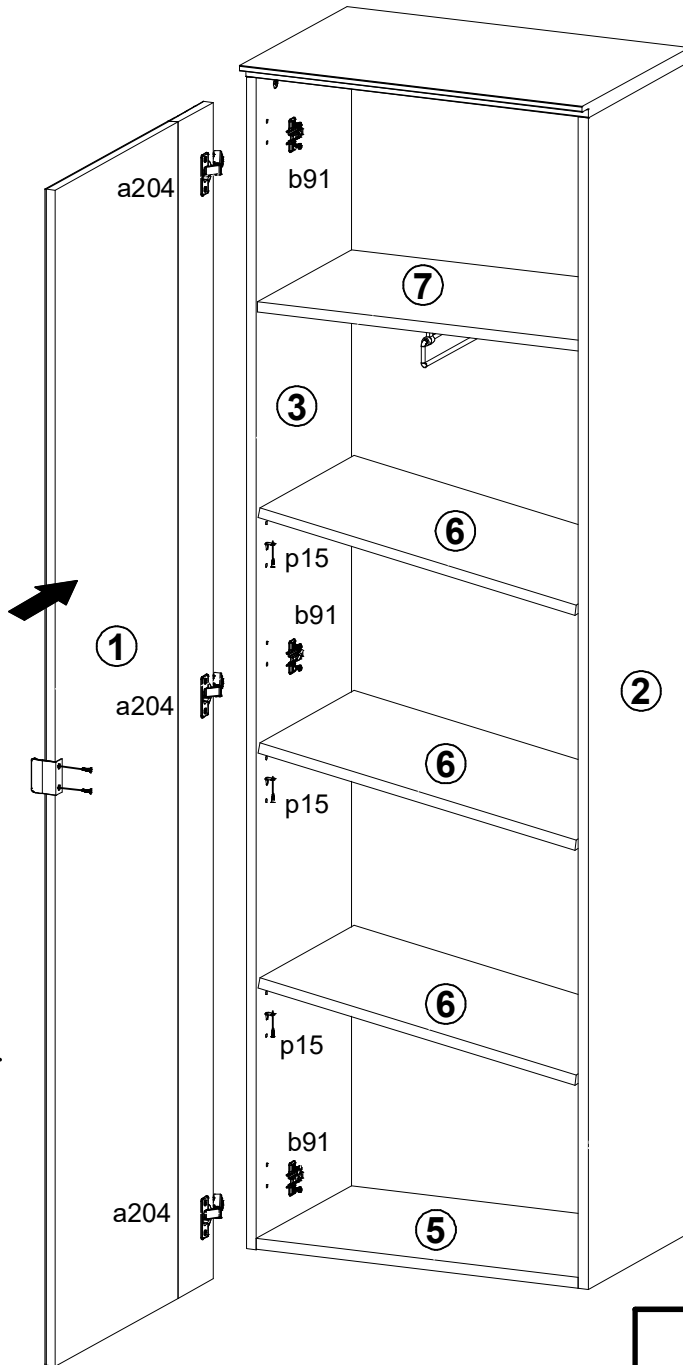
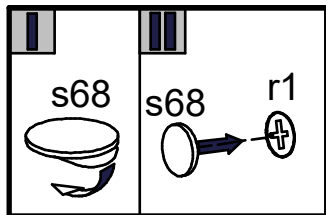
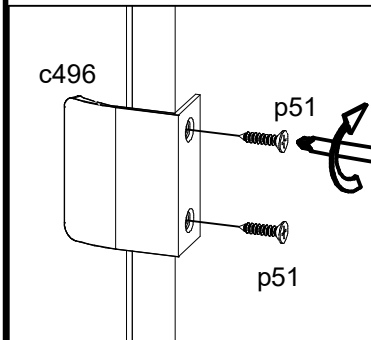
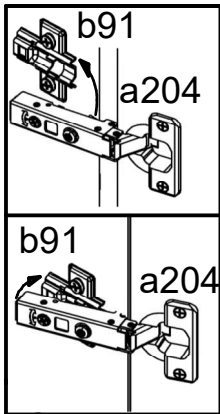
12 ▶

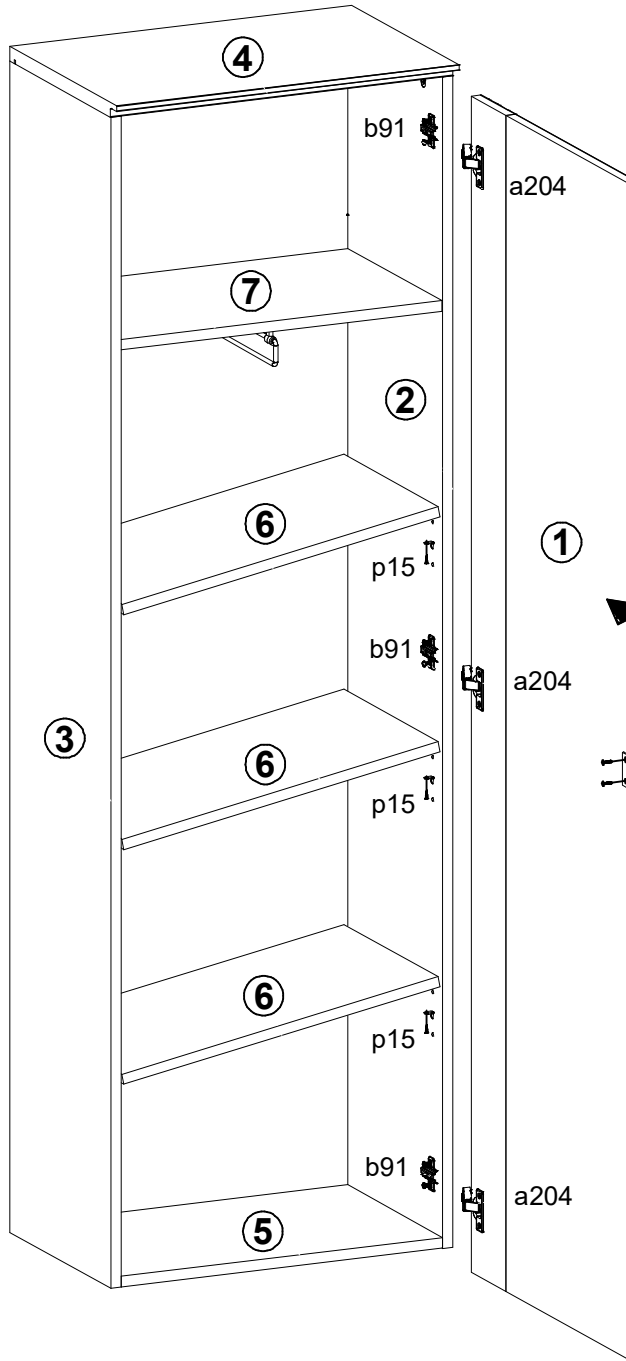
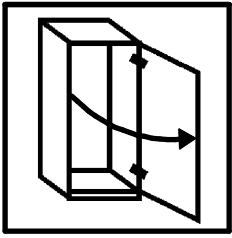




13 ▶

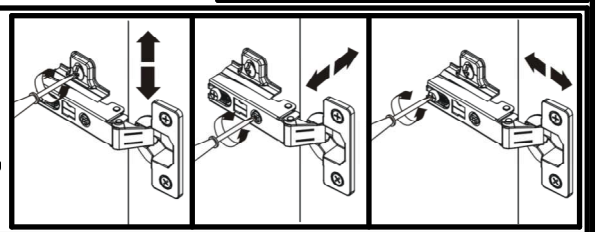
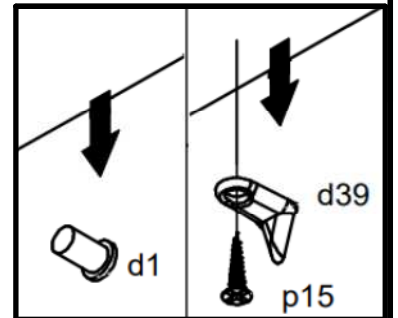
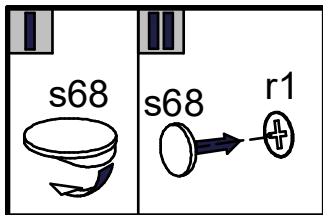
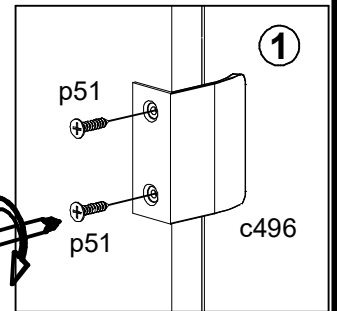
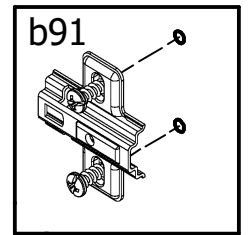
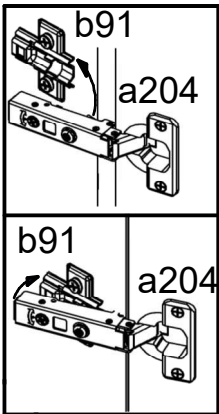
- 12x  **s68**
∅ 20mm
- 1x  **c496**
- 2x  **p51**
∅3.5x15 mm
- 3x  **b91**
- 6x  **p15**
∅2.5x13 mm

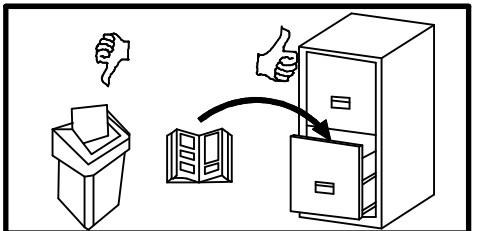
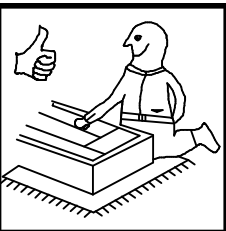
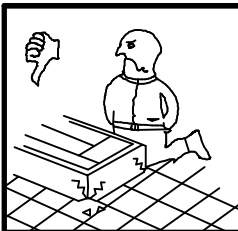
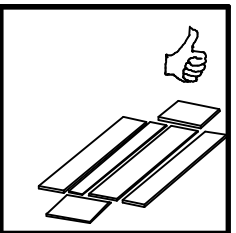
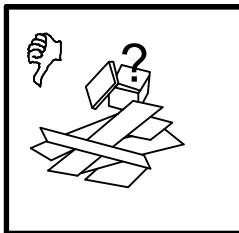
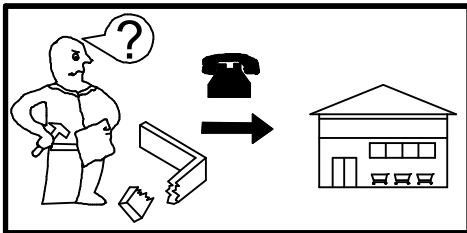
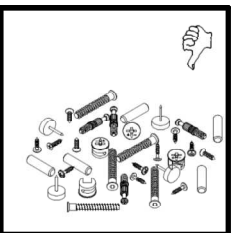
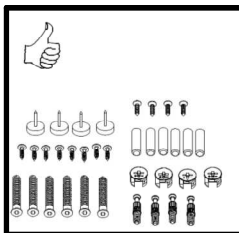
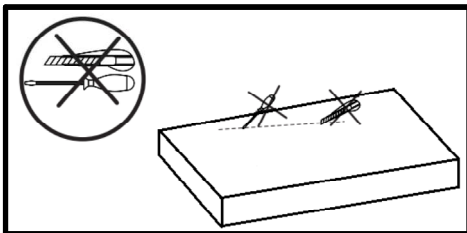
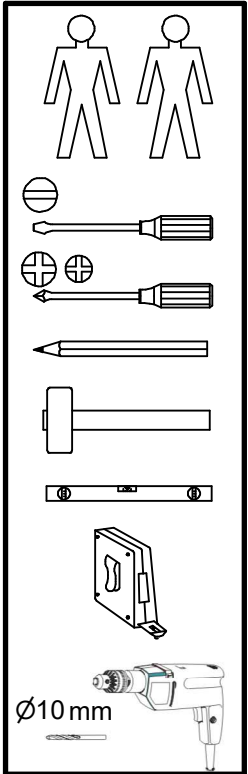
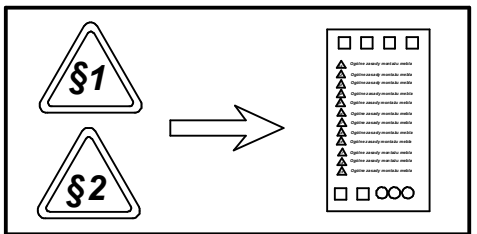
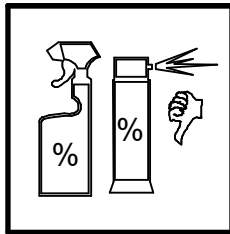
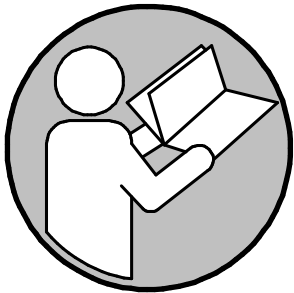
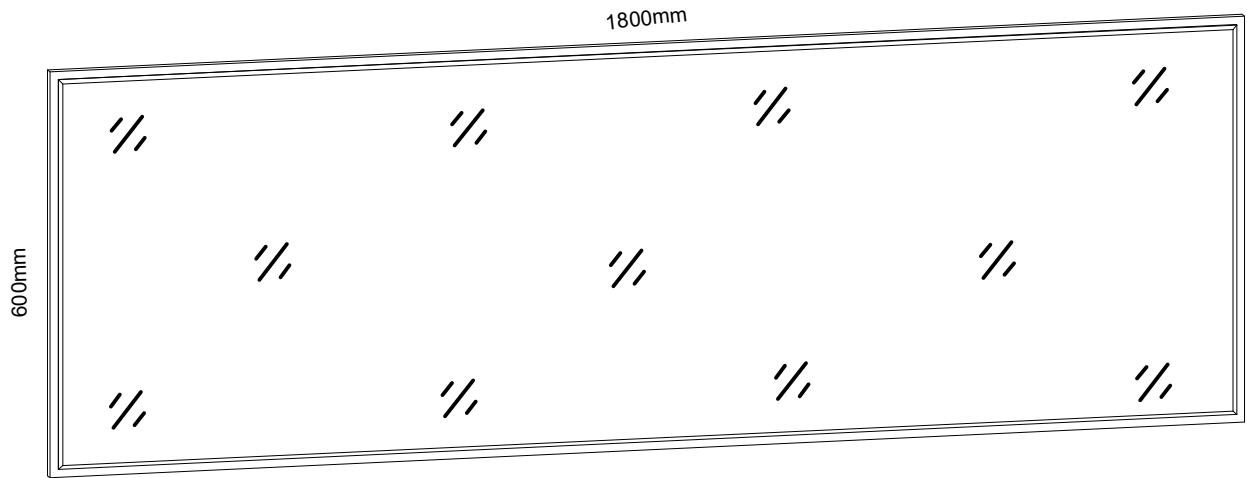


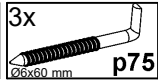
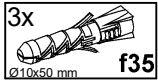


14

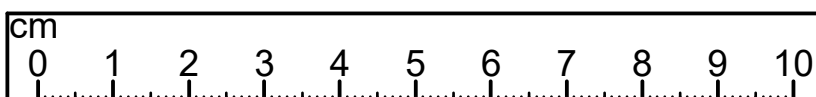
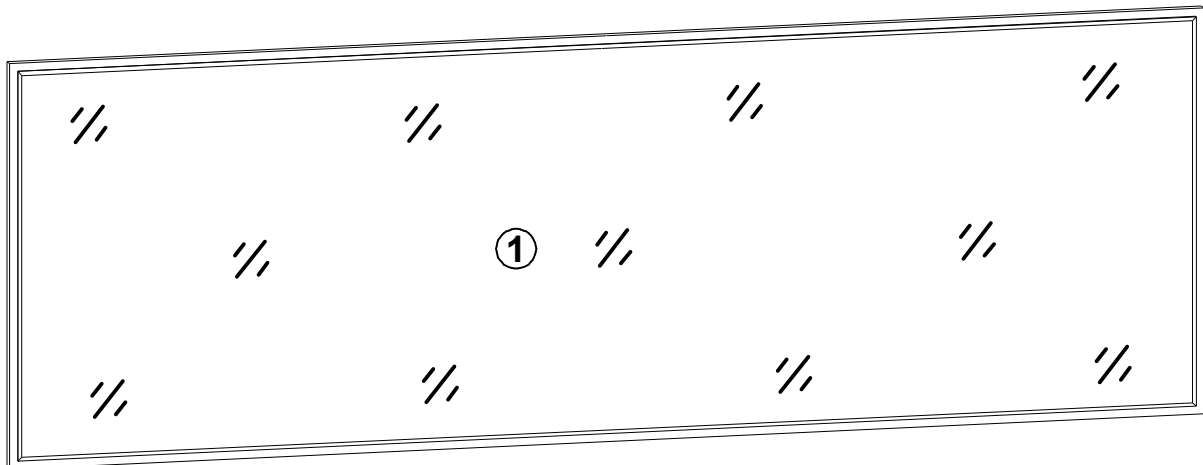
- 12x \varnothing 20mm **s68**
- 1x **c496**
- 2x \varnothing 3.5x15 mm **p51**
- 3x **b91**
- 6x \varnothing 2.5x13 mm **p15**

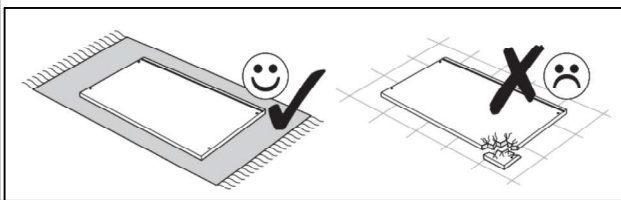
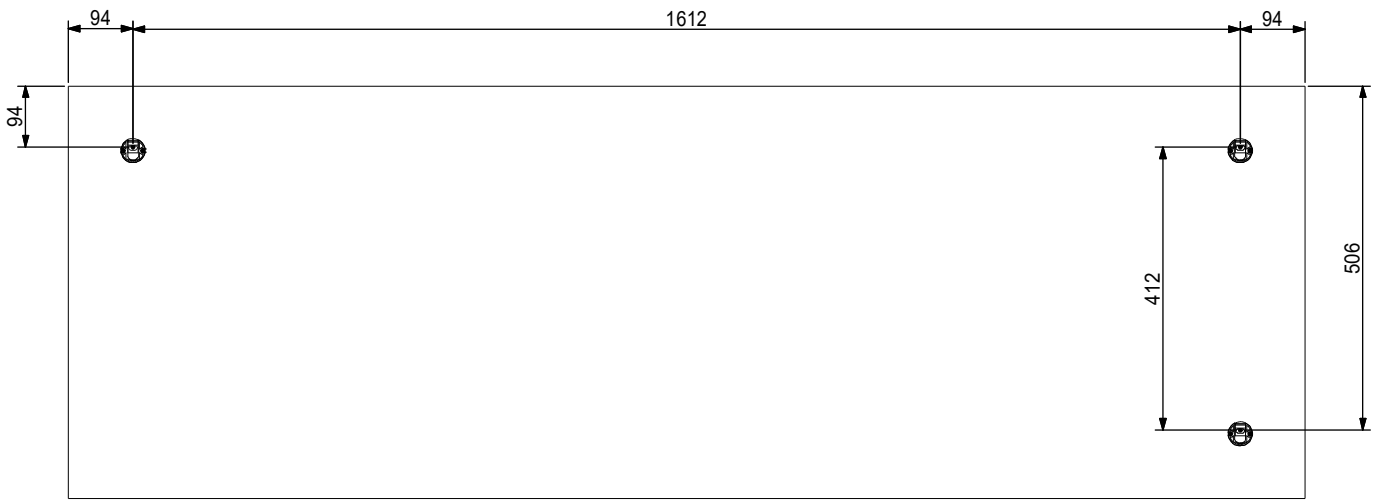


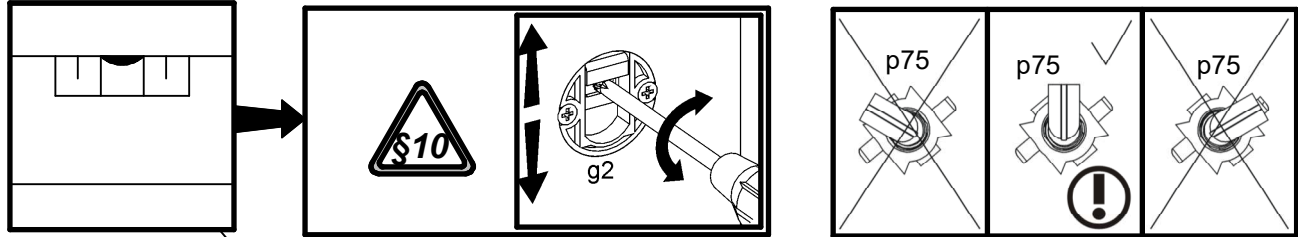
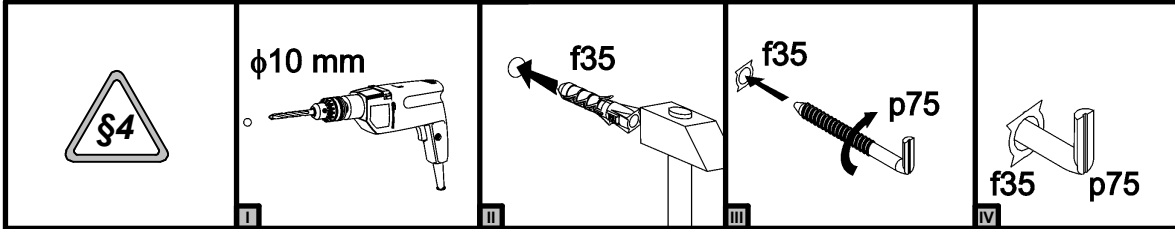




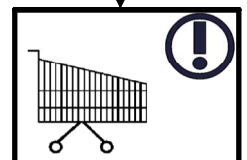
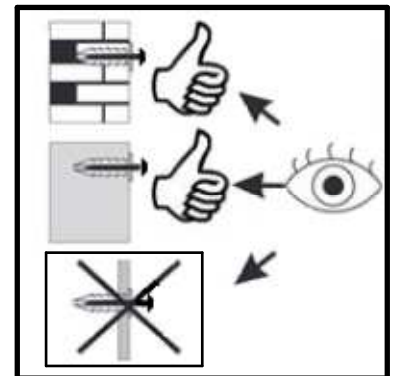
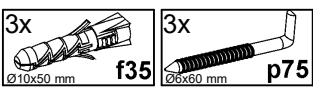
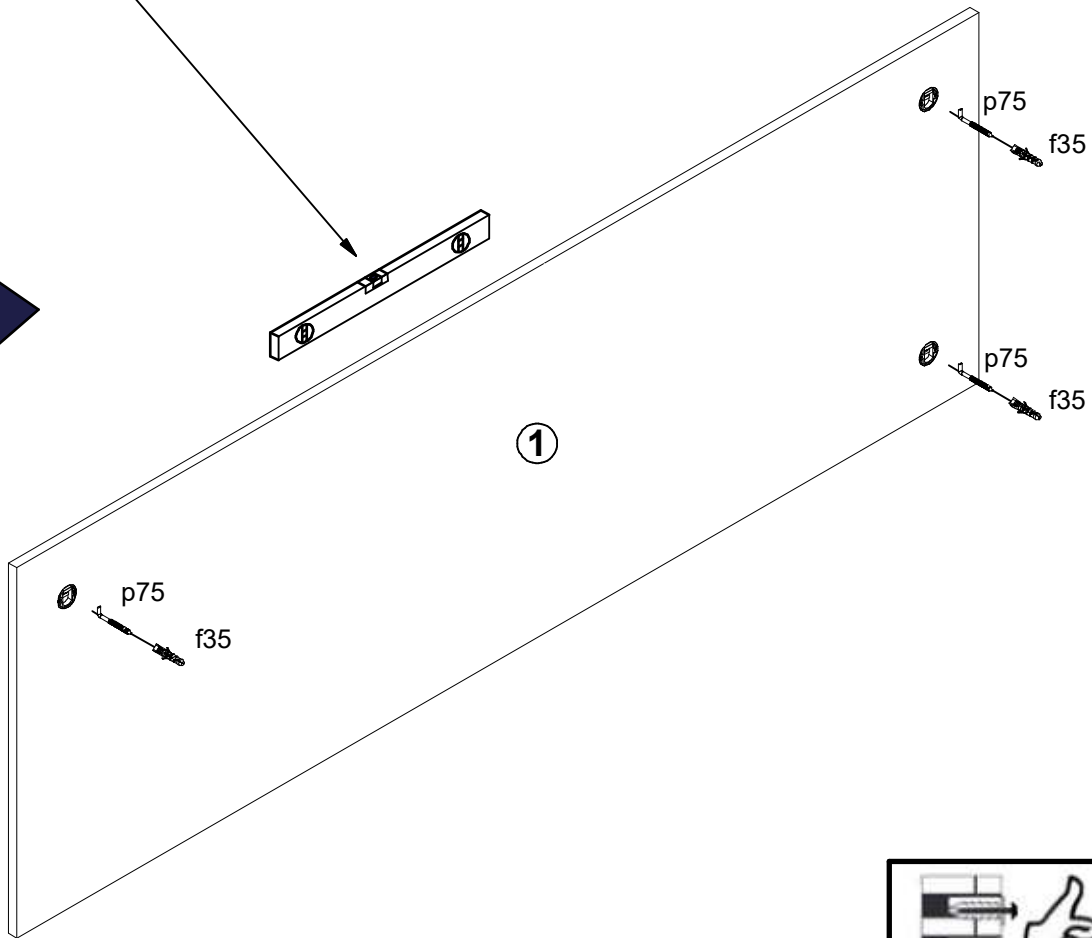
A	B1	B2	C1	C2	C3	C4	D
1	M278-4302	-	1800	600	19	1	1/1

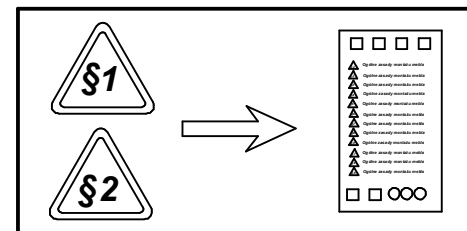
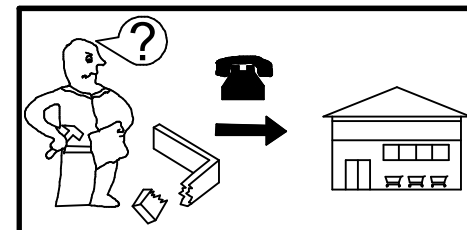
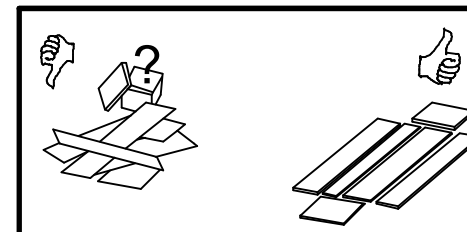
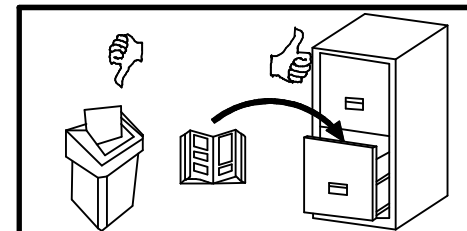
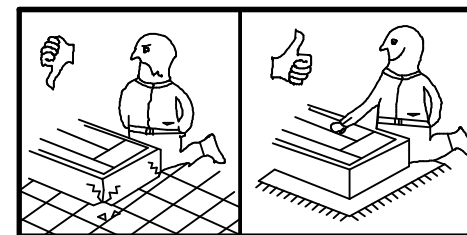
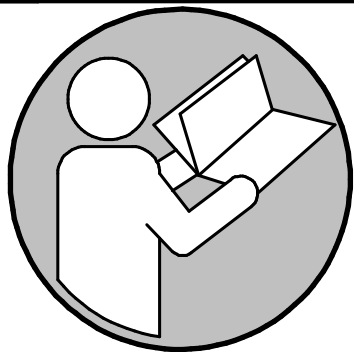




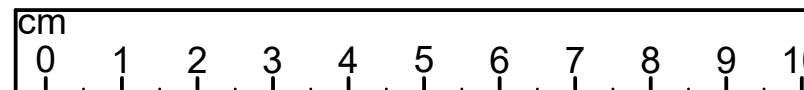
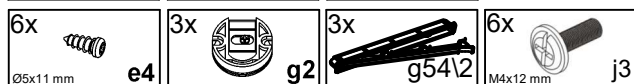
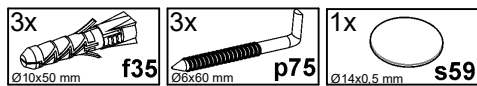
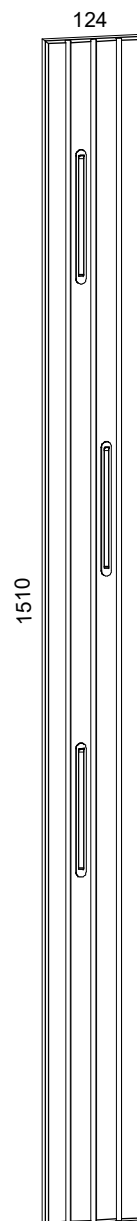
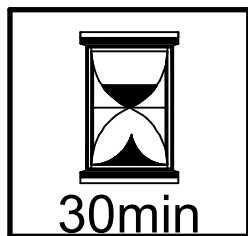
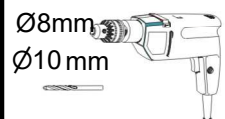
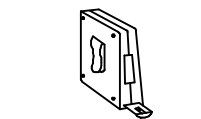
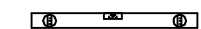
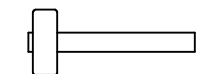
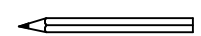
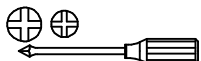
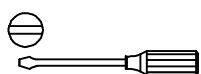
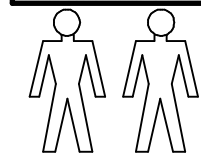


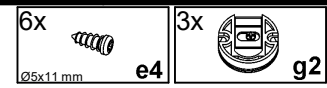
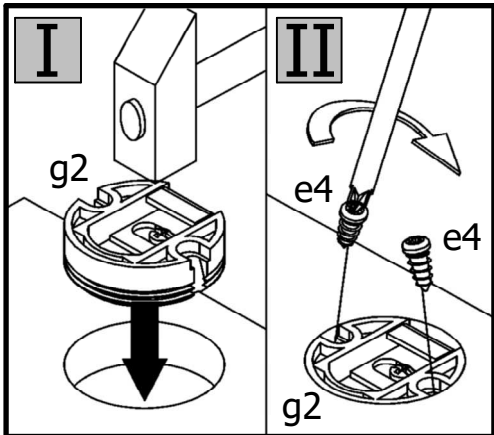
2 ▶



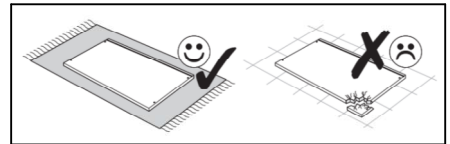
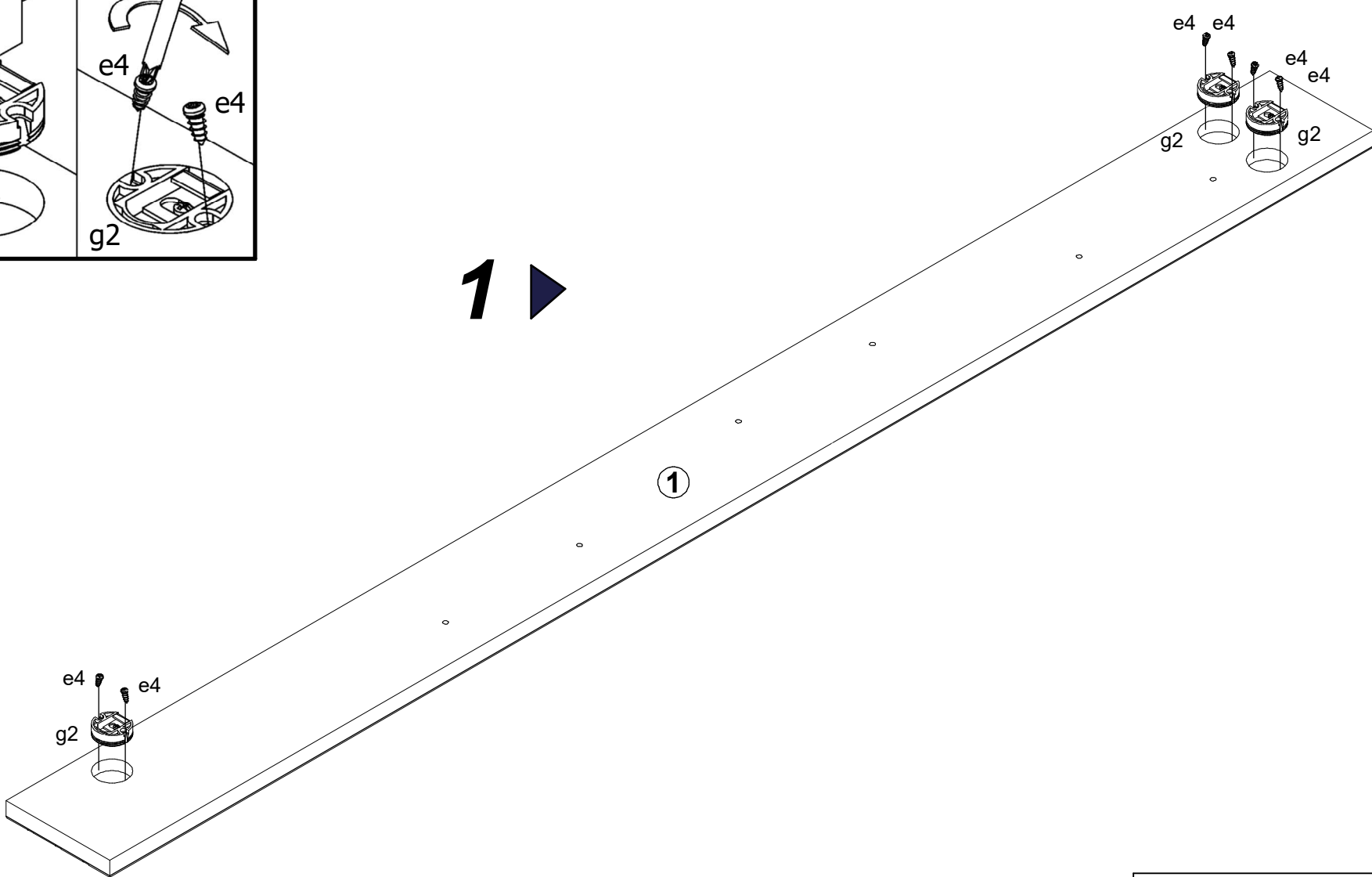


A	B1	B2	C1	C2	C3	C4	D
1	M278-4001	-	1510	124	19	1	1/1

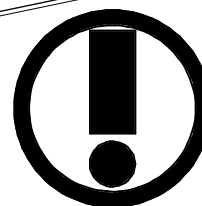
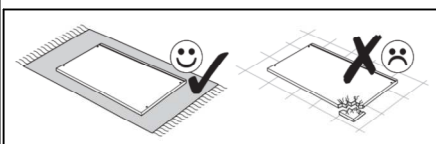
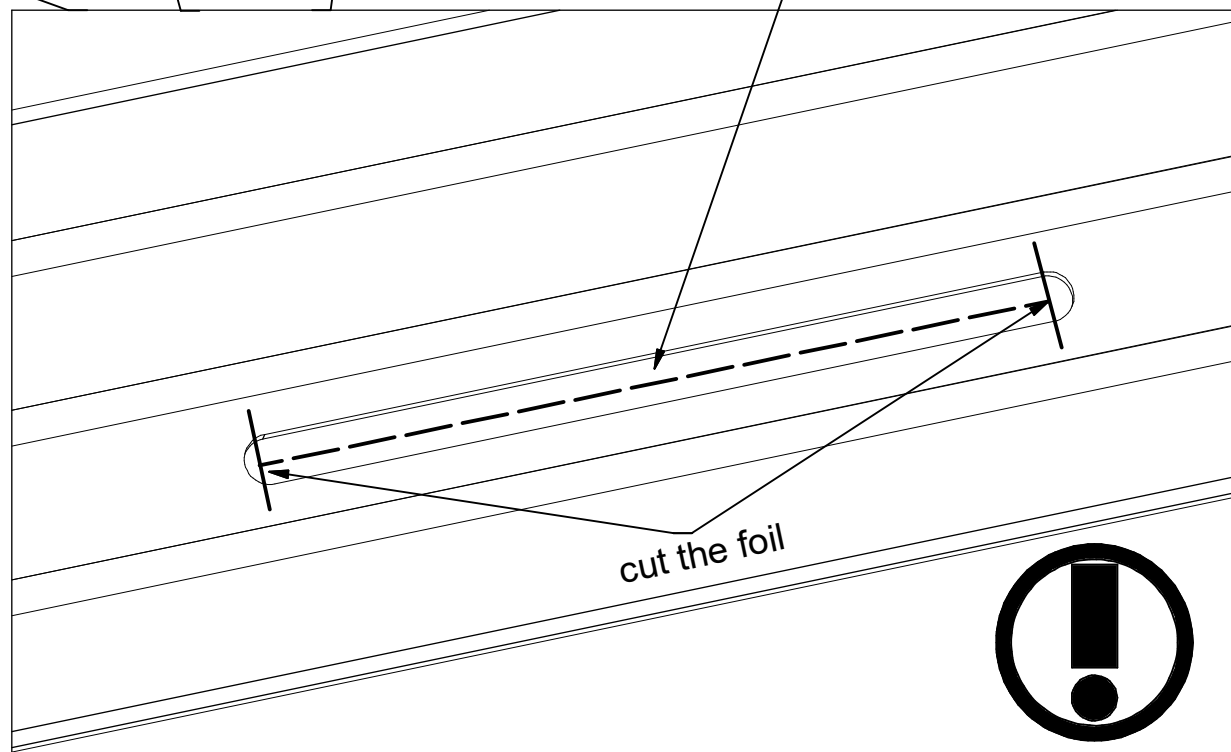
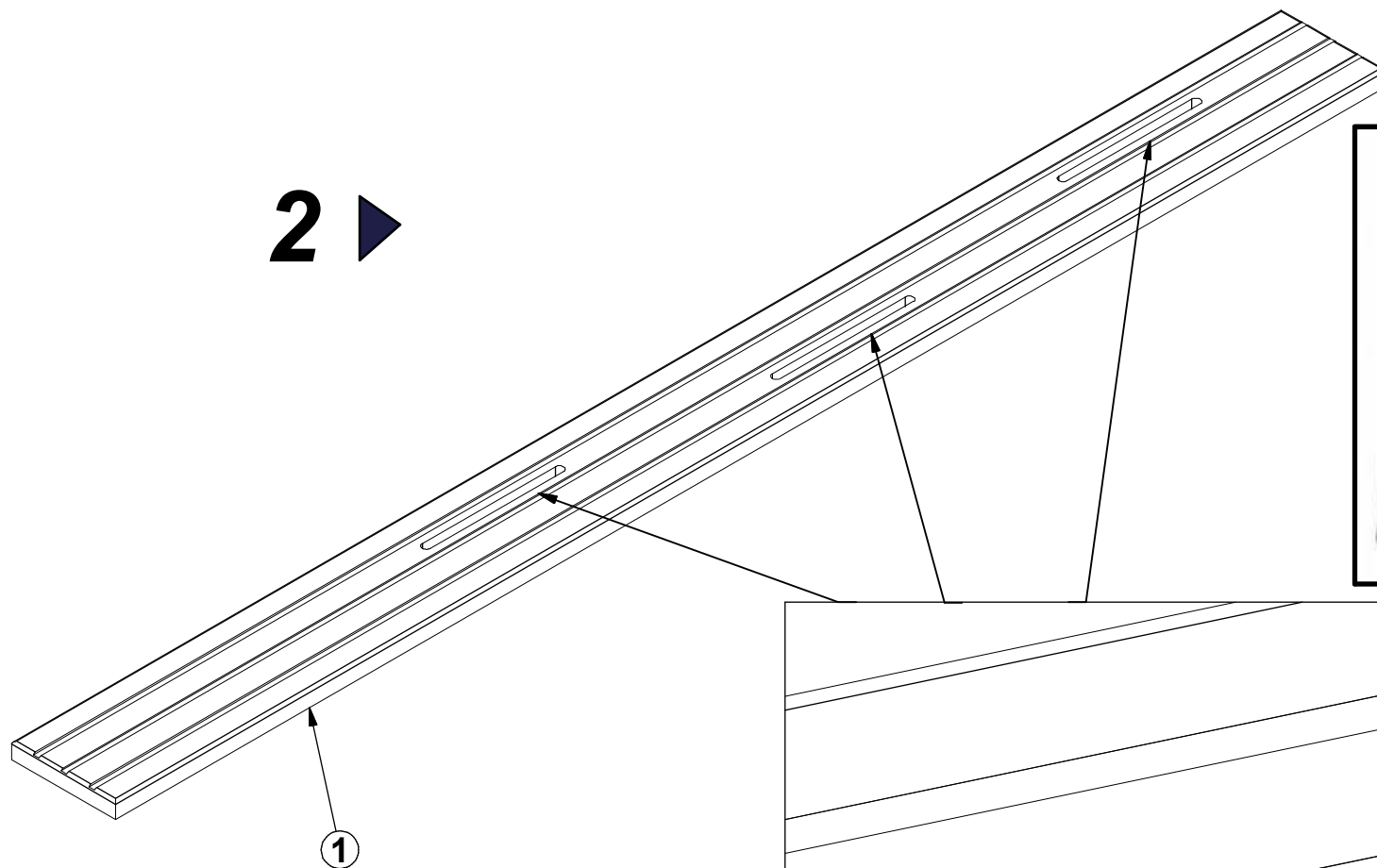


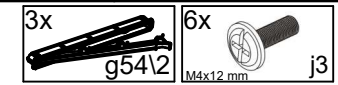


1 ▶

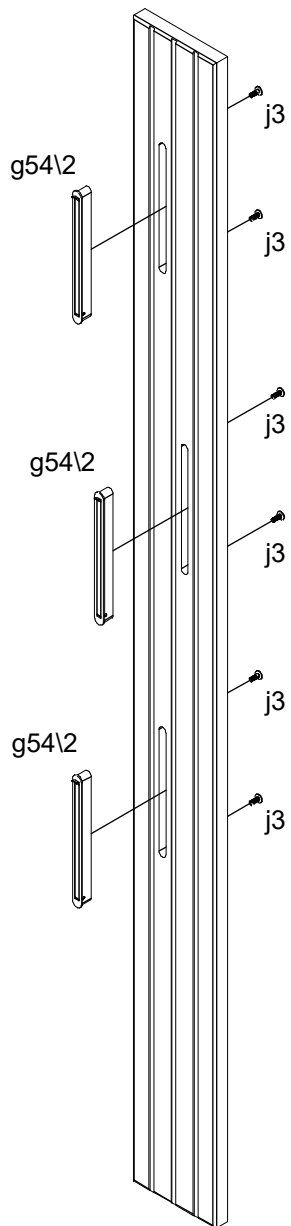
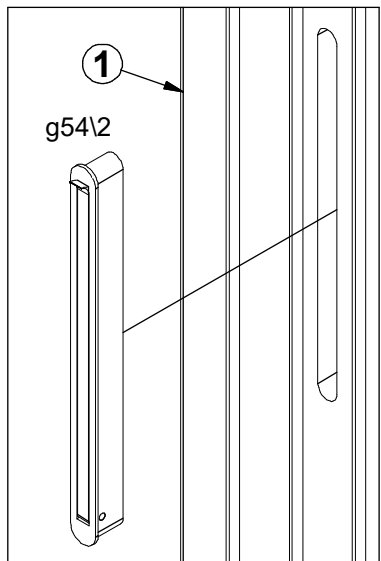


2 ▶

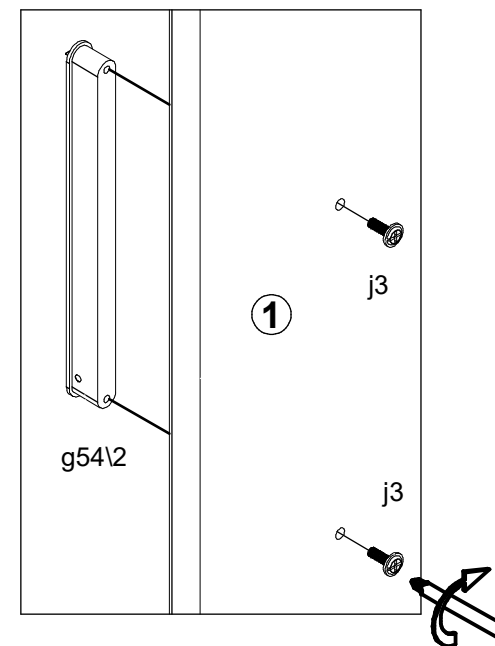
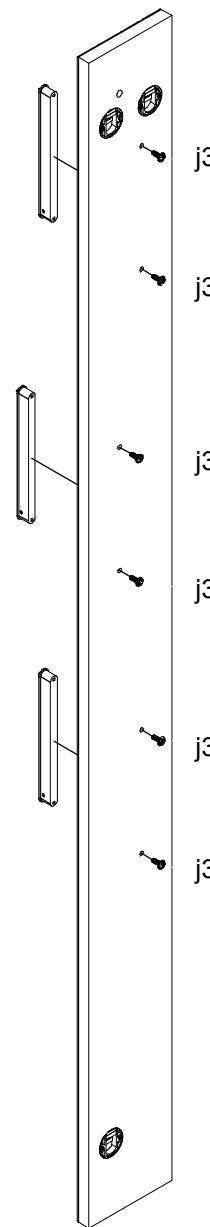


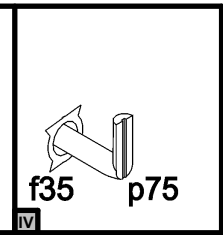
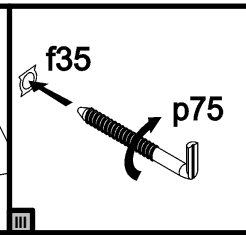
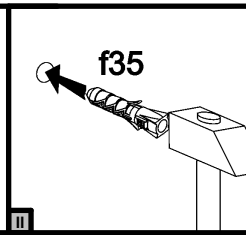
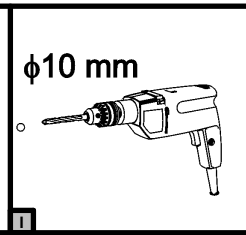
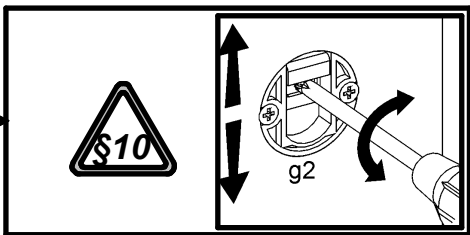
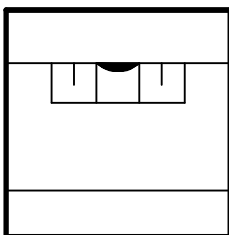


3 ▶

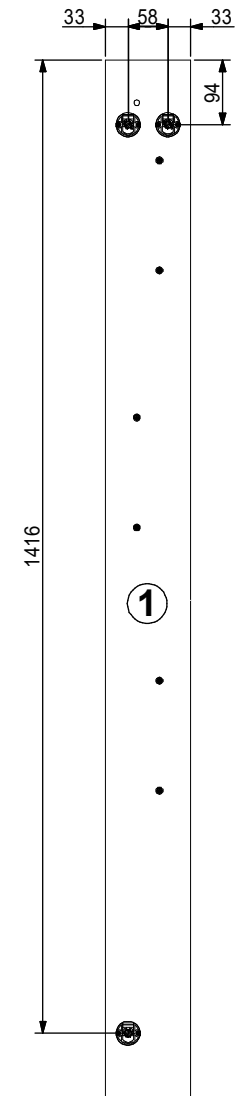
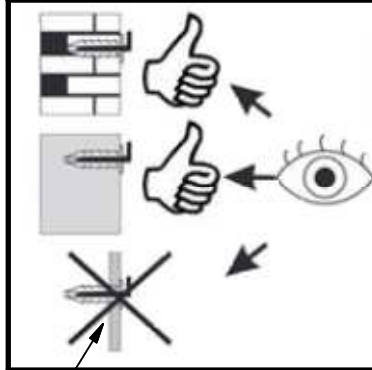
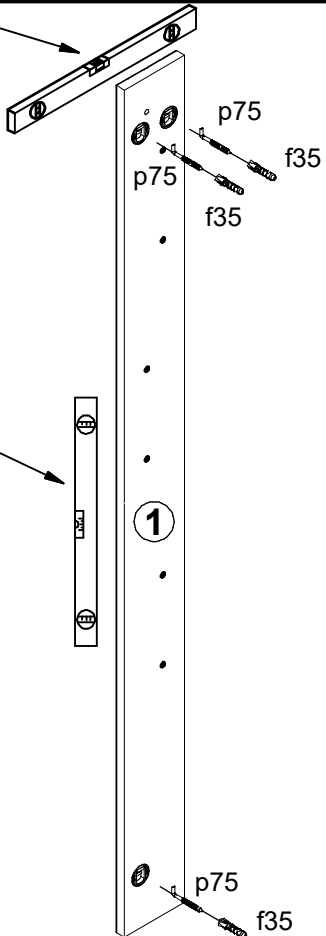


◀ 4

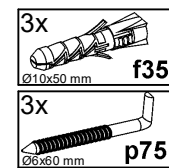
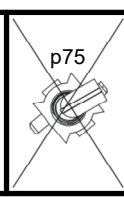
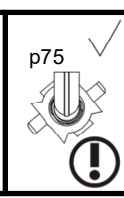
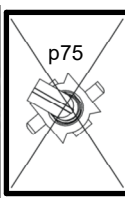
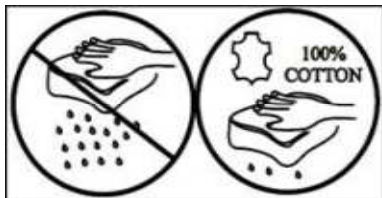


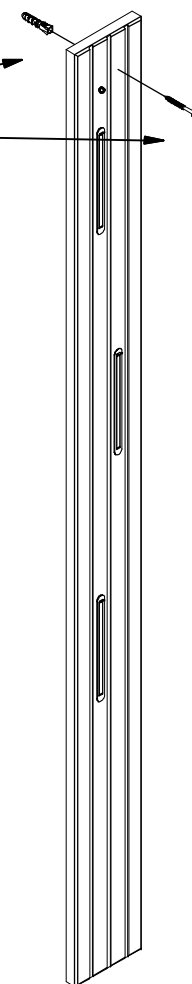
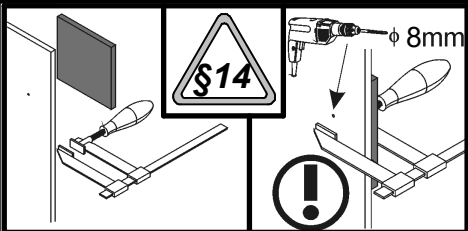


5 ▶



◀ 6





8

7

