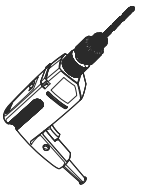
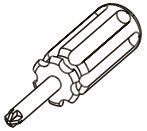
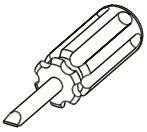
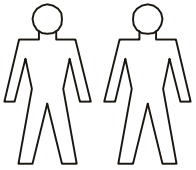
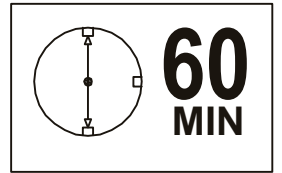
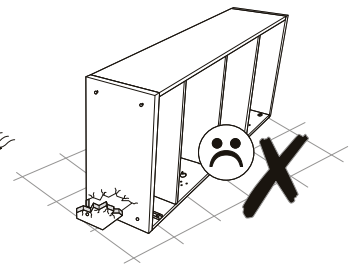
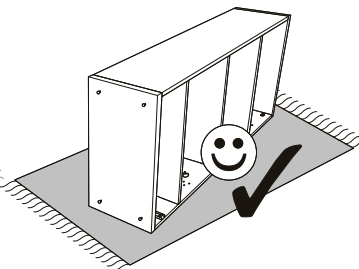
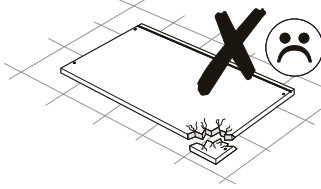
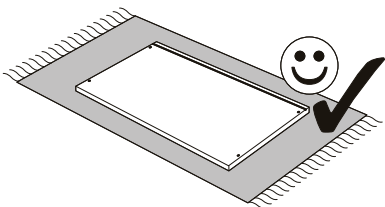
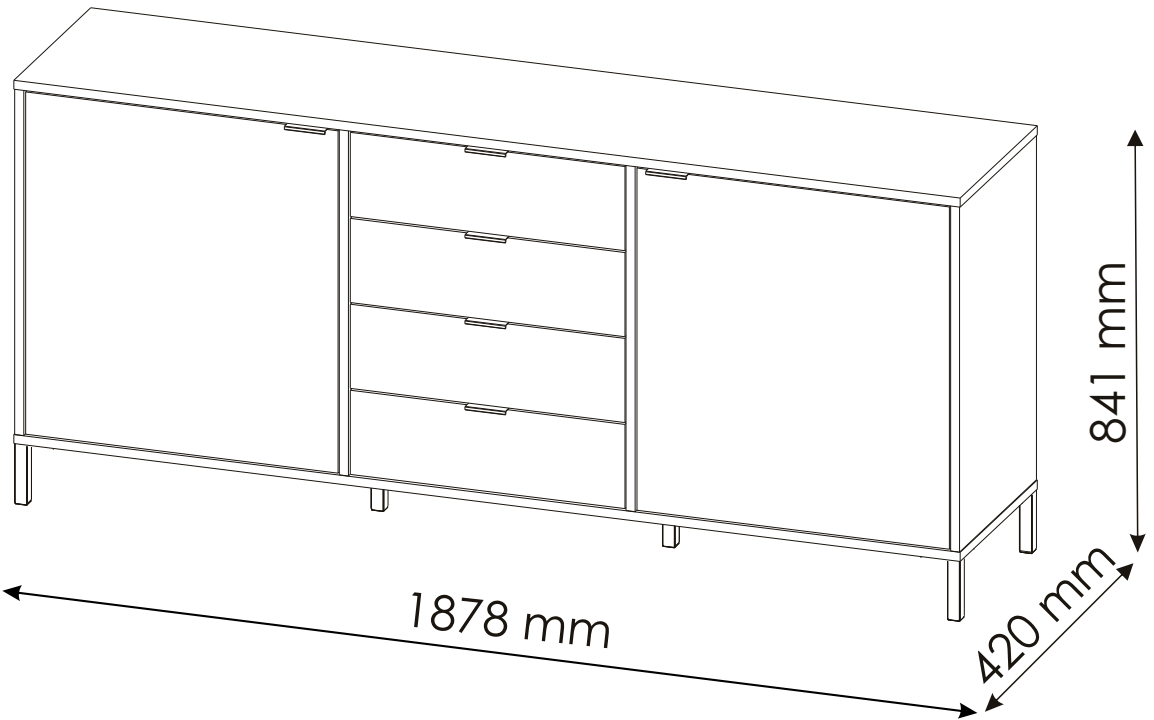




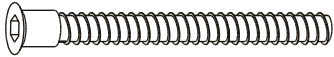







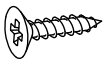


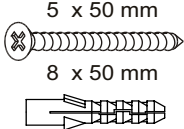
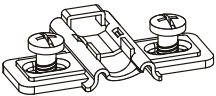

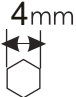
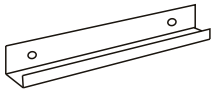

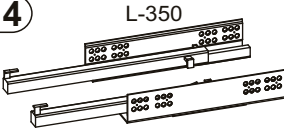
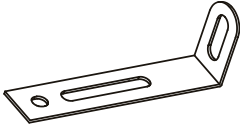
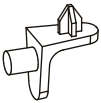
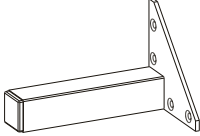
# LIAM Sideboard

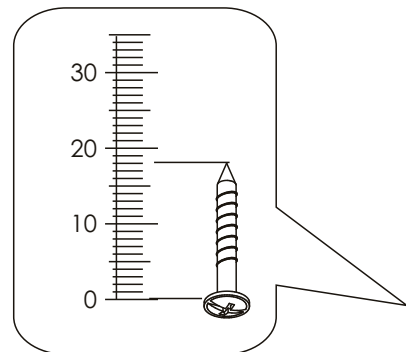
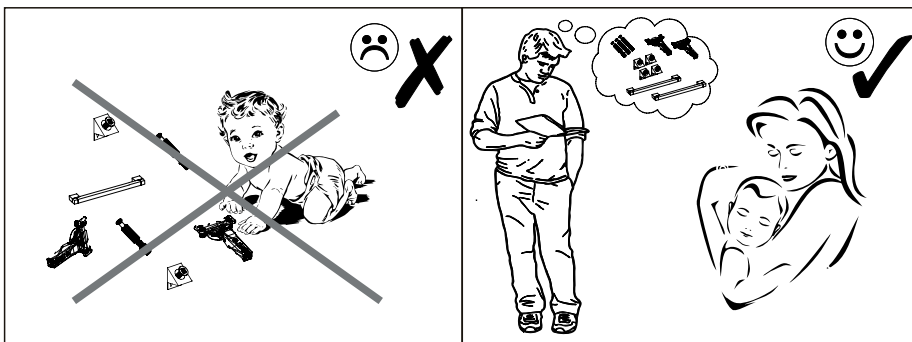
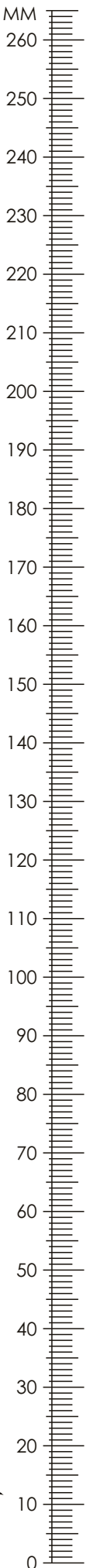
00030098/01




Ø8

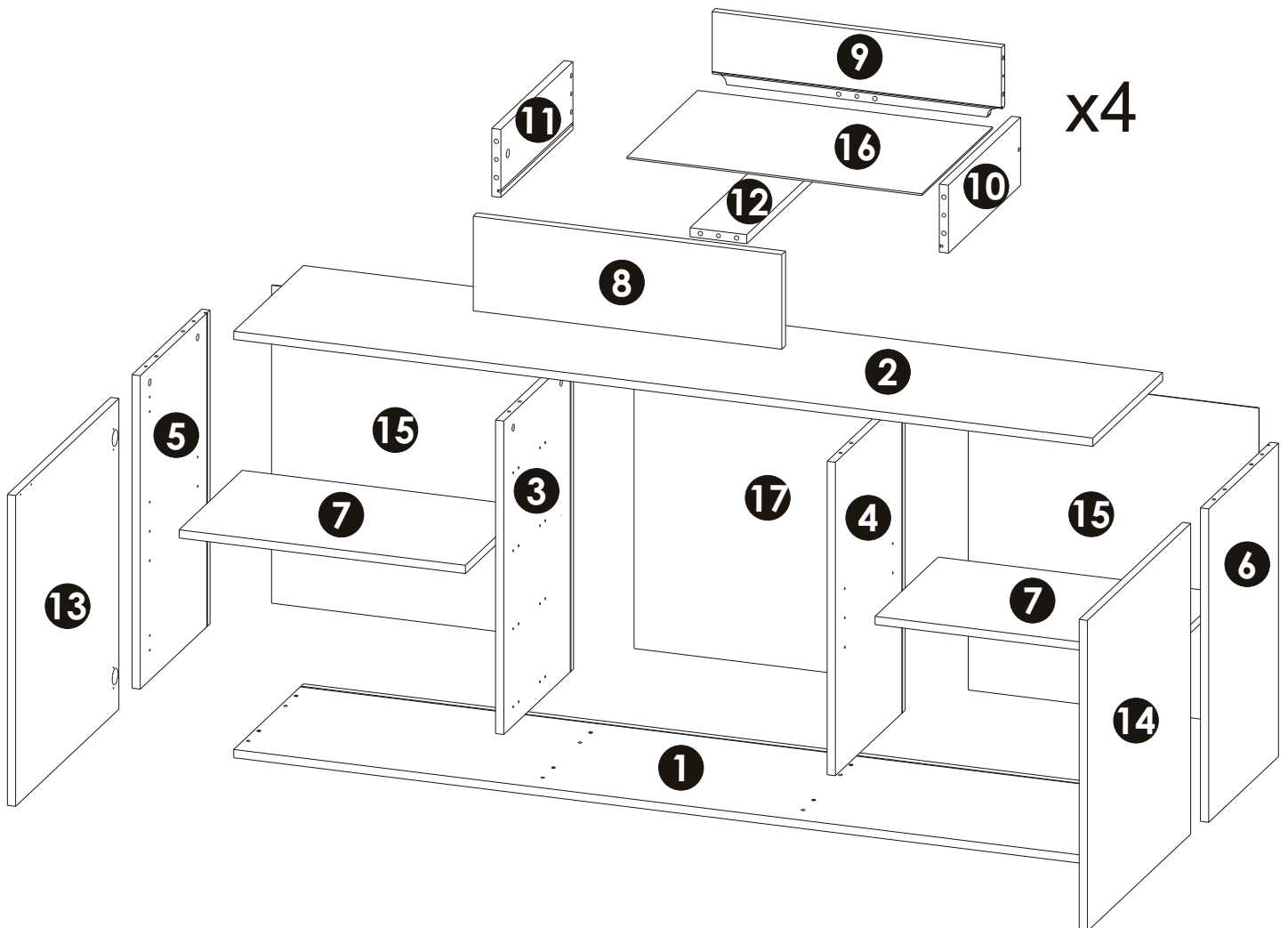
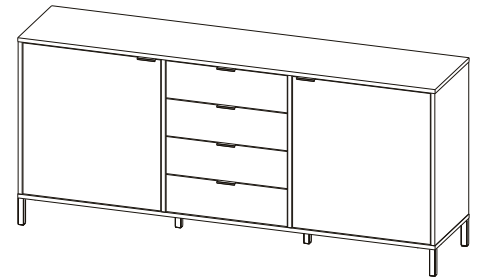


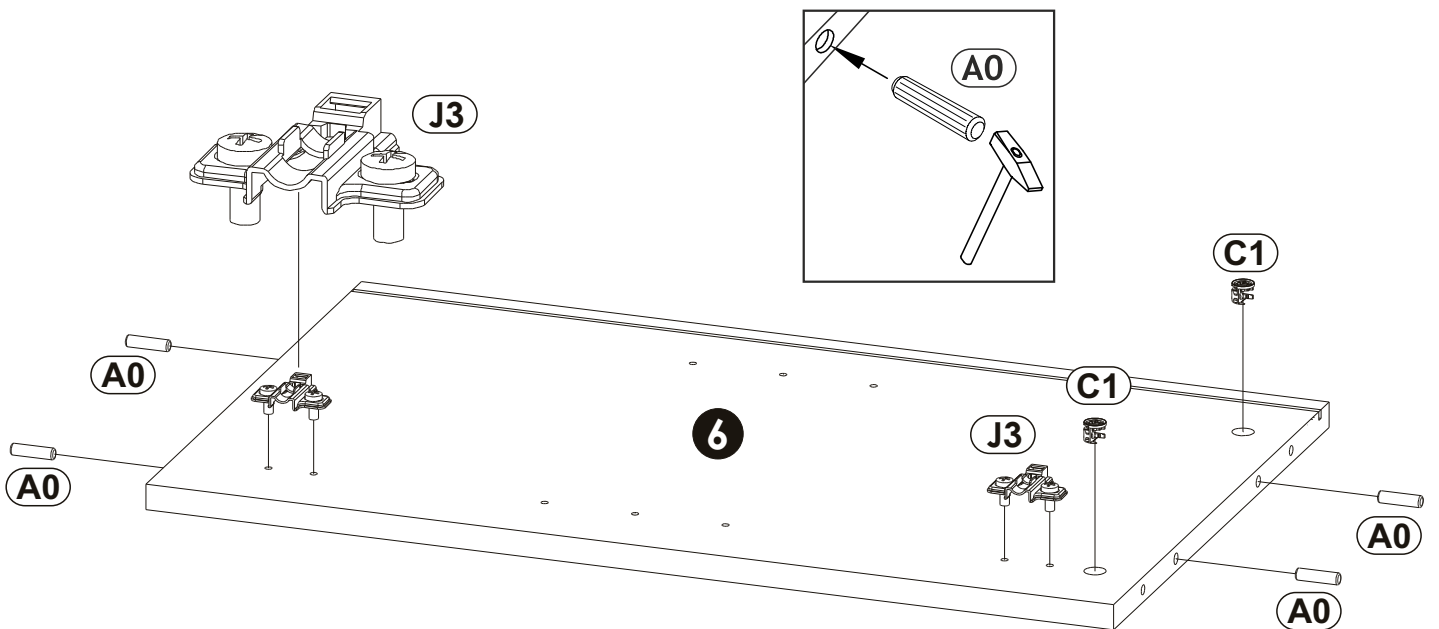
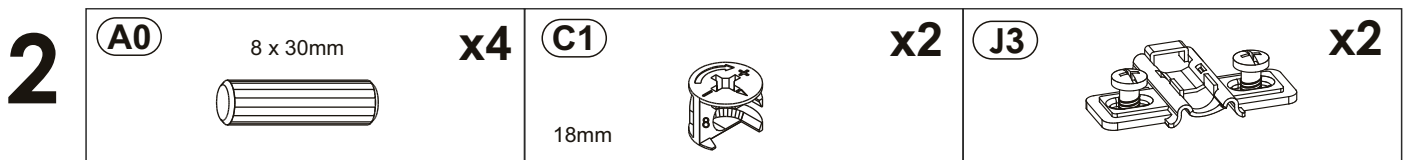
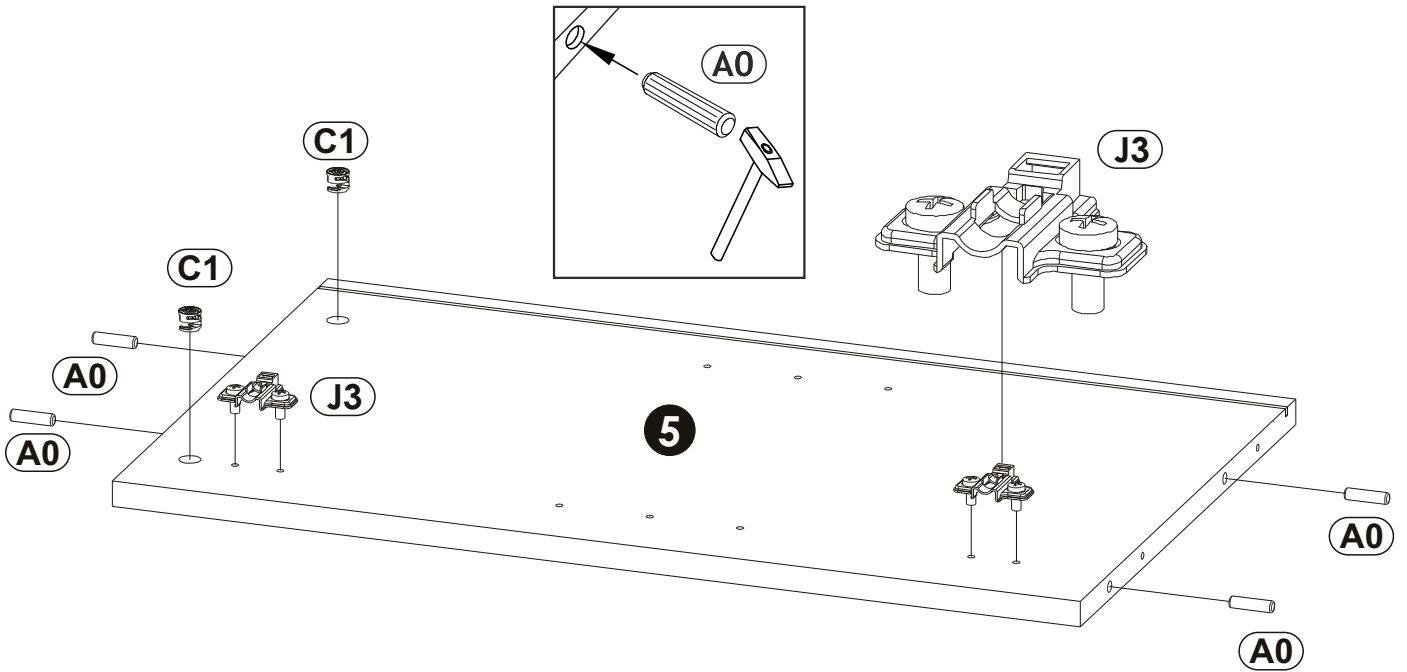
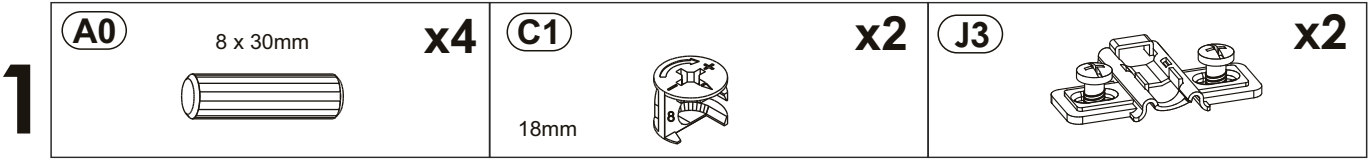
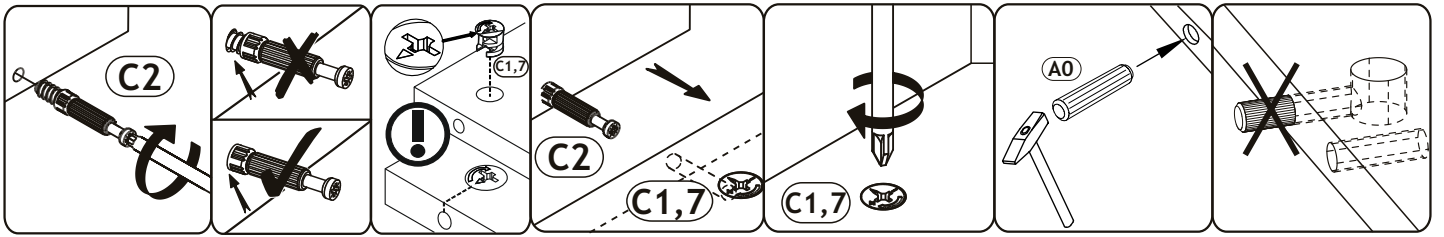
<b>A0</b> 8 x 30mm <b>x64</b> 	<b>B1</b> f 7 x 50 mm <b>x12</b> 	<b>B2</b> f 7 x 70 mm <b>x8</b> 
<b>C0</b> <b>x12</b> 	<b>C1</b> 18mm <b>x8</b> 	<b>C2</b> <b>x20</b> 
<b>C7</b> 16mm <b>x12</b> 	<b>D0</b> 3 x 15 mm <b>x30</b> 	<b>D4</b> 3,5 x 18 mm <b>x24</b> 
<b>D8</b> 3,5 x 13 mm <b>x12</b> 	<b>D10</b> 4 x 16 mm <b>x8</b> 	<b>D21</b> 5 x 13 mm <b>x2</b> 
<b>D31</b> 6.3 x 13 mm <b>x32</b> 	<b>E0</b> 5 x 50 mm 8 x 50 mm <b>x2</b> 	<b>J3</b> <b>x4</b> 
<b>J18</b> <b>x4</b> 	<b>K</b> 4mm <b>x1</b> 	<b>L3</b> <b>x6</b> 
<b>M1</b> <b>x30</b> 	<b>N14</b> L-350 <b>x4</b> 	<b>P0</b> <b>x2</b> 
<b>Q3</b> <b>x8</b> 	<b>T27</b> <b>x6</b> 	

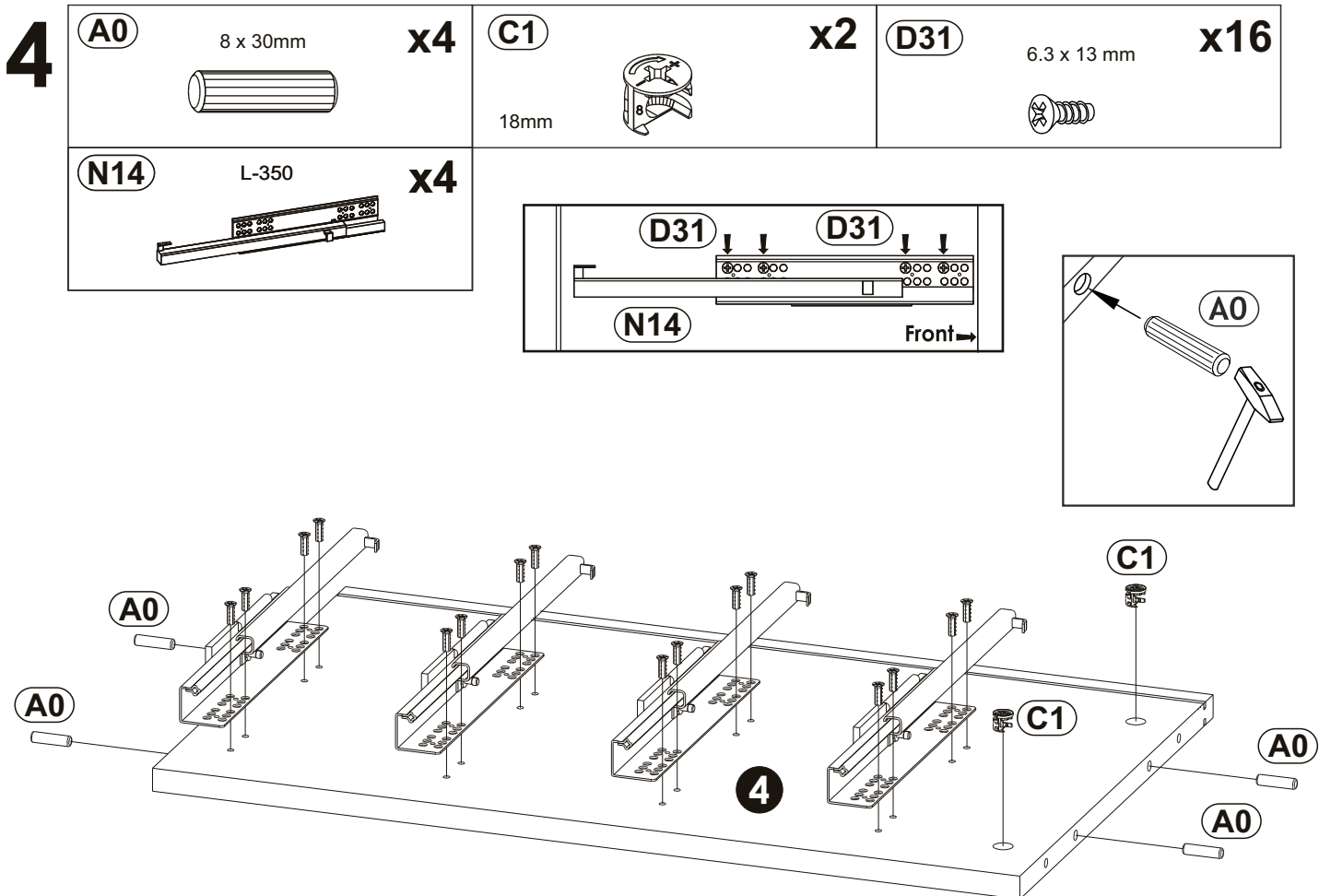
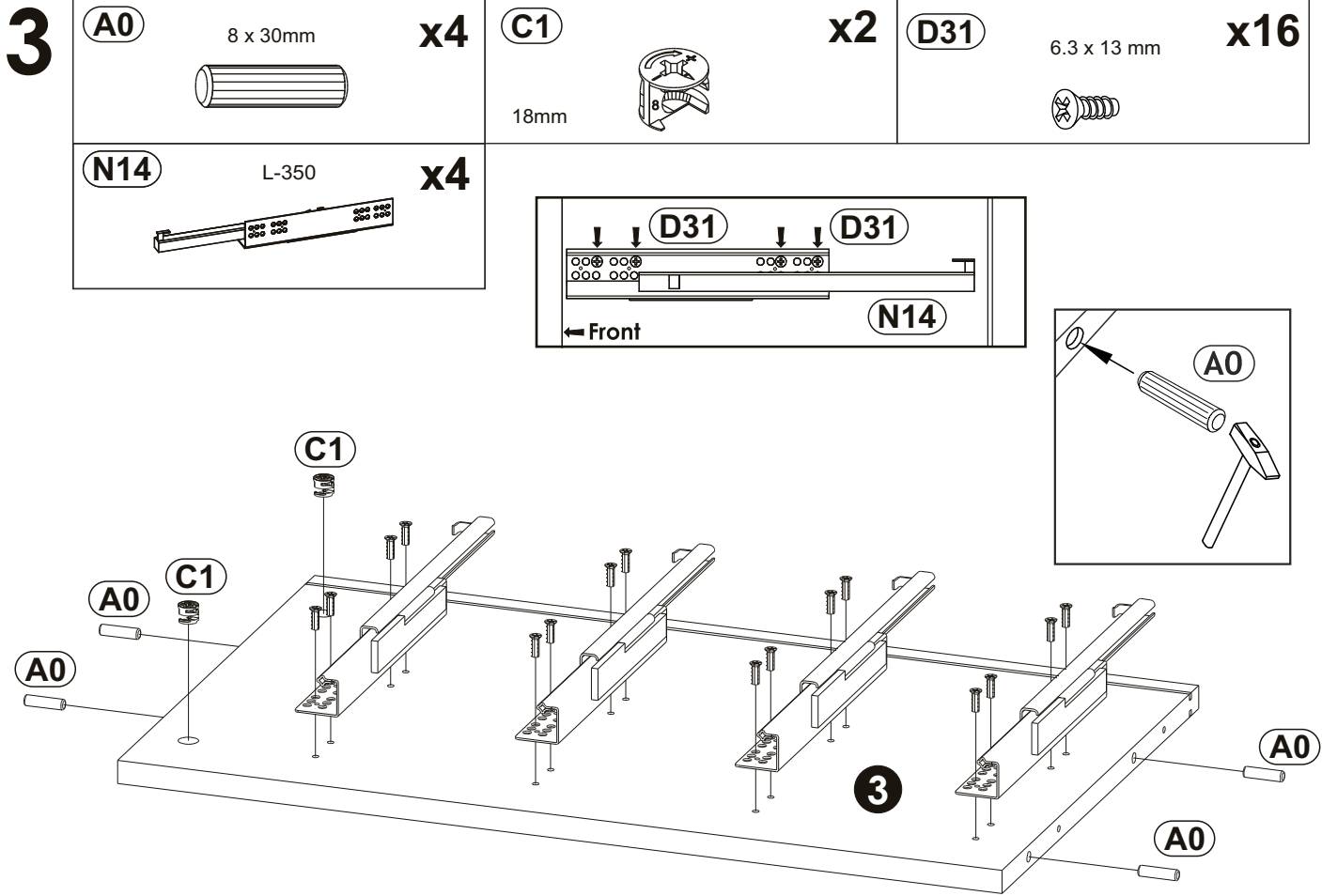




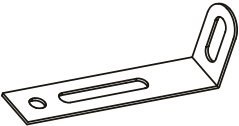
1	1878	420	18	x1	1/4
2	1878	420	18	x1	1/4
3	685	419	18	x1	2/4
4	685	419	18	x1	2/4
5	685	419	18	x1	2/4
6	685	419	18	x1	2/4
7	626	379	18	x2	1/4
8	545	167	18	x4	3/4
9	511	126	16	x4	2/4

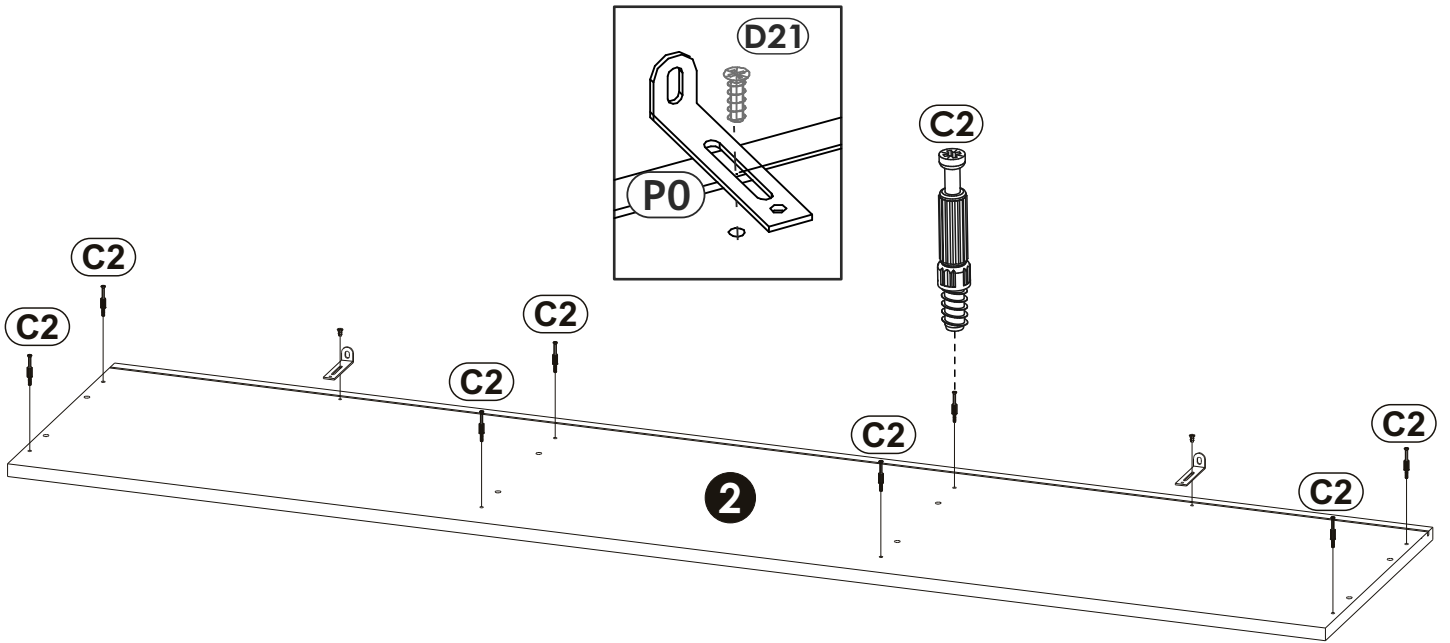
10	350	120	16	x4	2/4
11	350	120	16	x4	2/4
12	334	100	16	x4	2/4
13	679	620	18	x1	3/4
14	679	620	18	x1	3/4
15	695	635	3	x2	3/4
16	521	344	3	x4	1/4
17	695	560	3	x1	3/4
					4/4






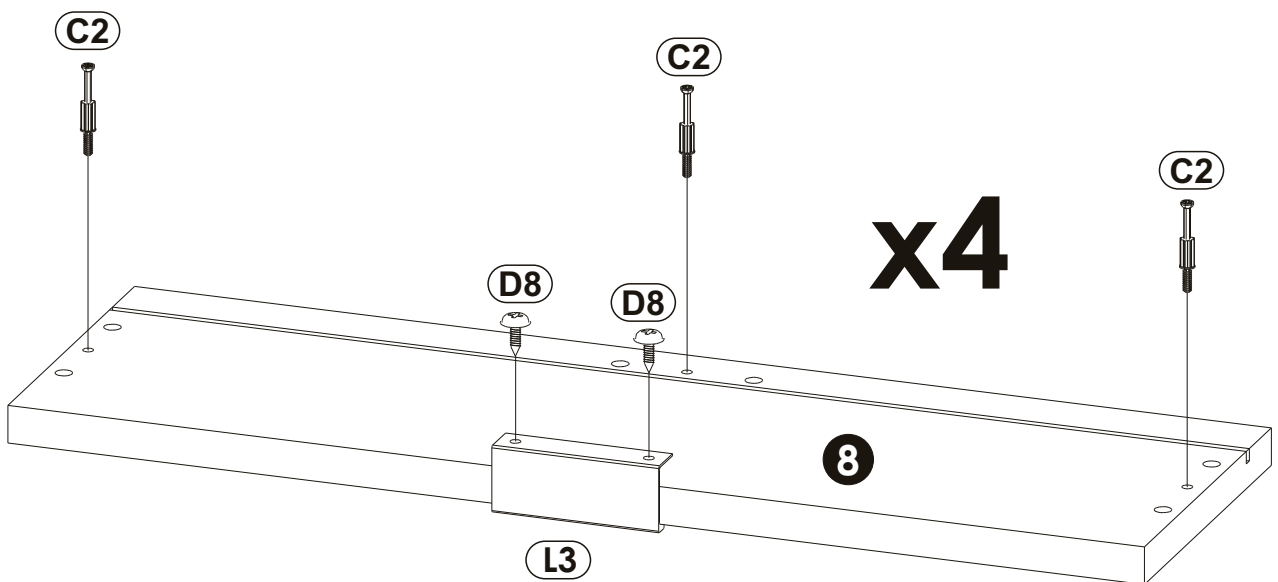




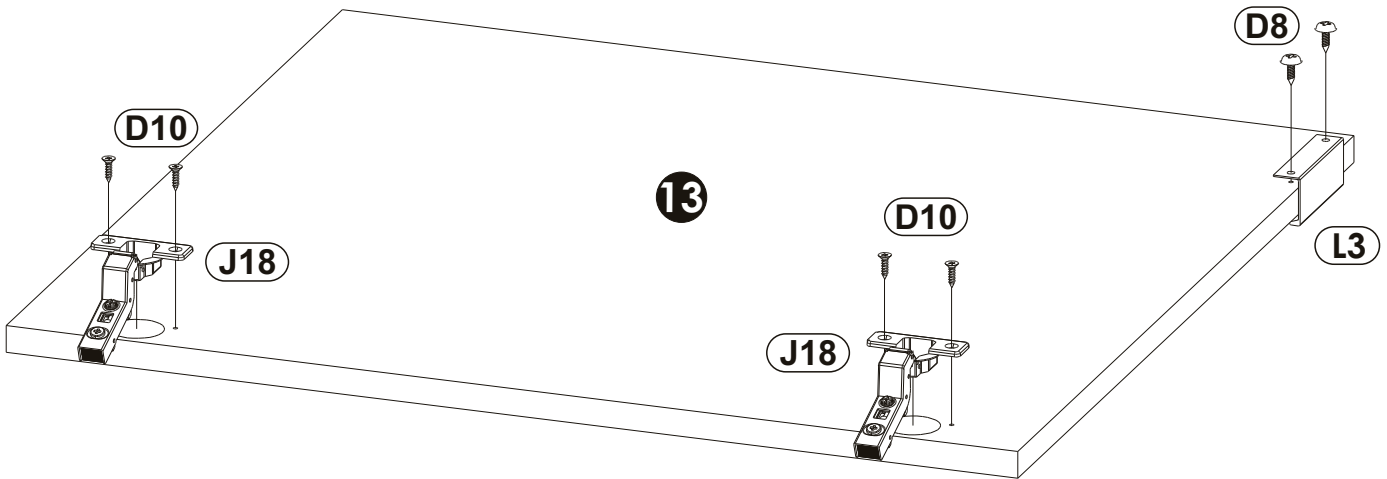
<b>5</b>	<b>C2</b>	<b>x8</b>	<b>D21</b>	5 x 13 mm	<b>x2</b>	<b>P0</b>	<b>x2</b>
							



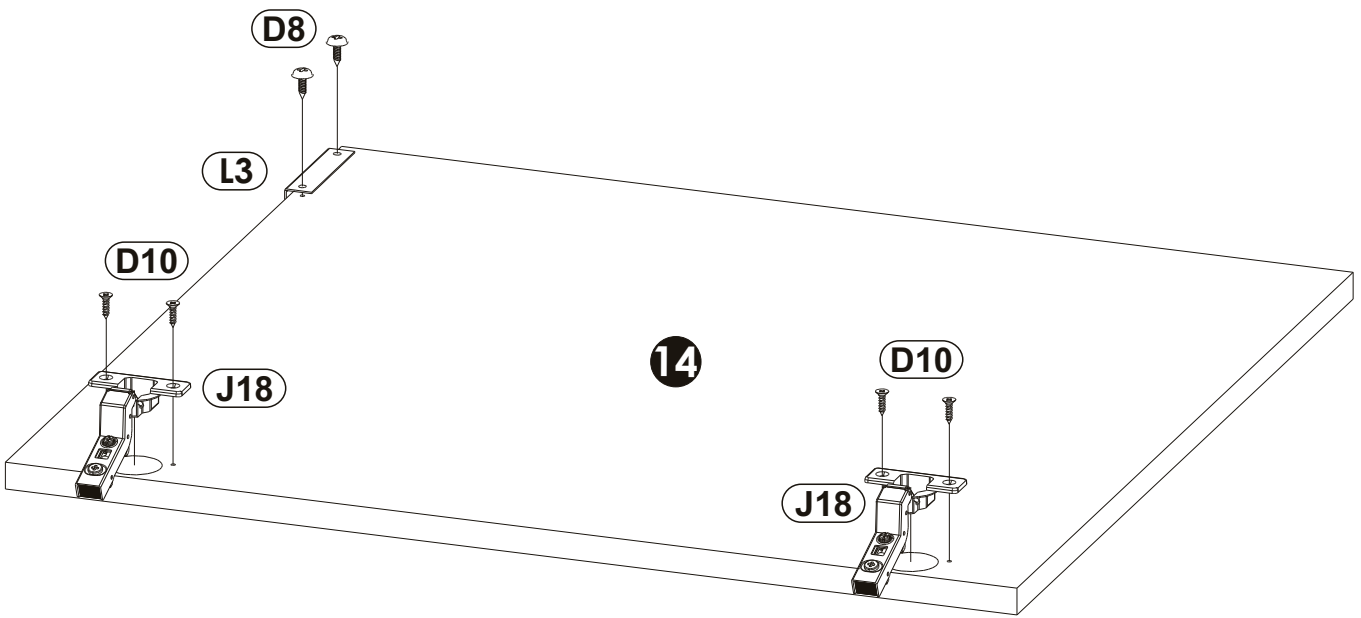
<b>6</b>	<b>C2</b>	<b>x12</b>	<b>D8</b>	3,5 x 13 mm	<b>x8</b>	<b>L3</b>	<b>x4</b>
							



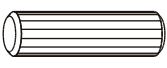
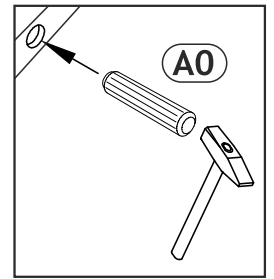
<b>7</b>	<b>D8</b> 3,5 x 13 mm <b>x2</b>	<b>D10</b> 4 x 16 mm <b>x4</b>	<b>J18</b> <b>x2</b>
	<b>L3</b> <b>x1</b>		



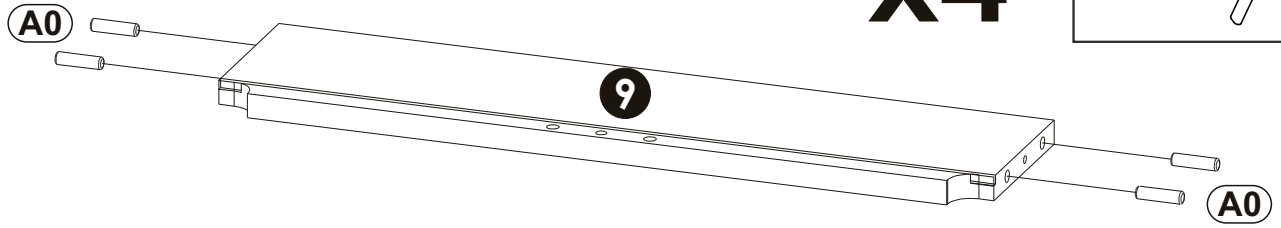
<b>8</b>	<b>D8</b> 3,5 x 13 mm <b>x2</b>	<b>D10</b> 4 x 16 mm <b>x4</b>	<b>J18</b> <b>x2</b>
	<b>L3</b> <b>x1</b>		





**9** **A0** 8 x 30mm **x16**

**x4**

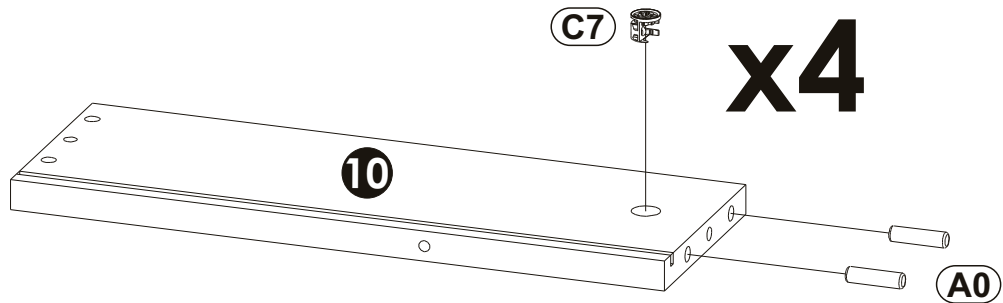


**10** **A0** 8 x 30mm **x8** **C7** **x4**

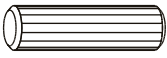




16mm

**x4**

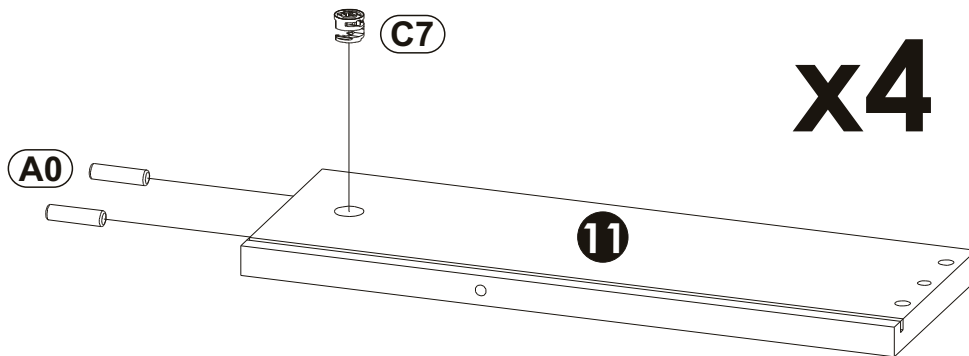


**11** **A0** 8 x 30mm **x8** **C7** **x4**






16mm

**x4**

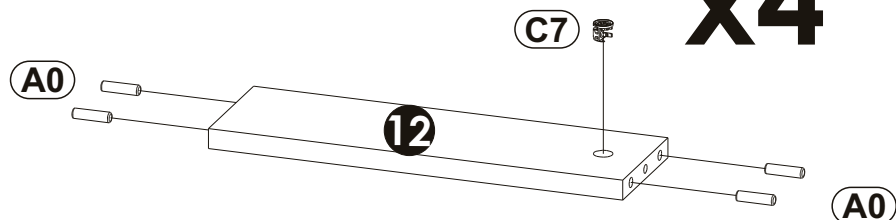


**12** **A0** 8 x 30mm **x16** **C7** **x4**

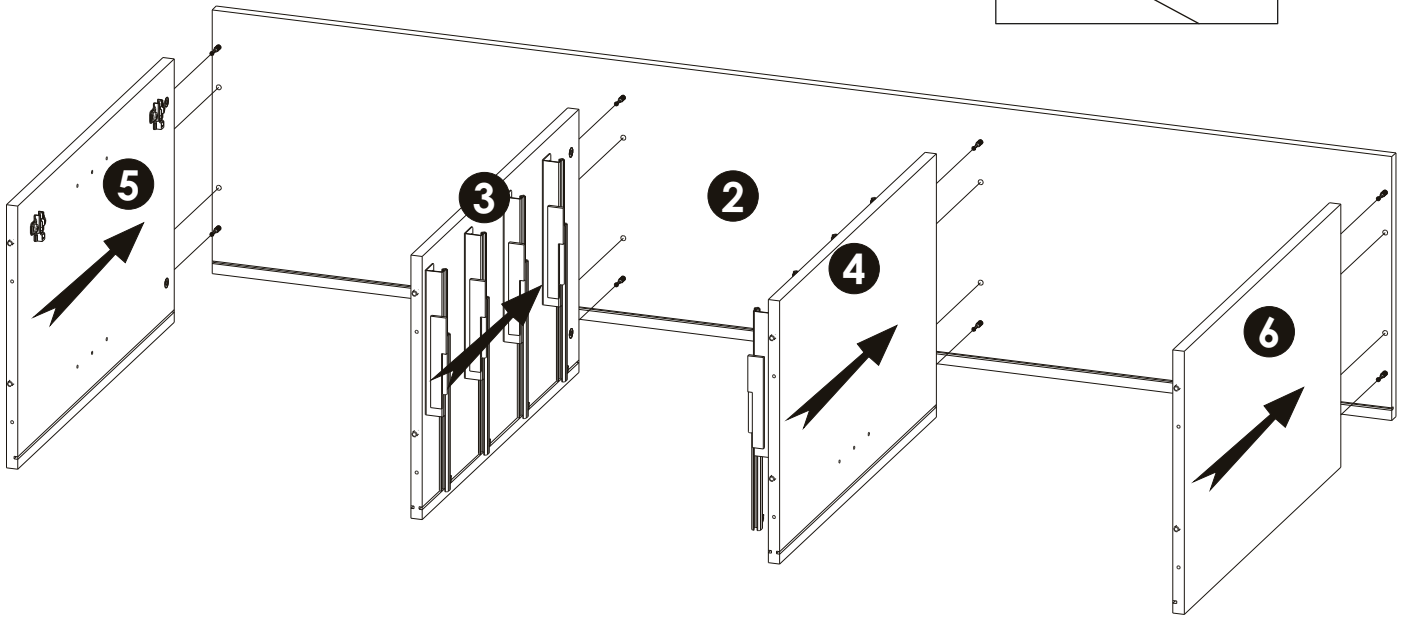
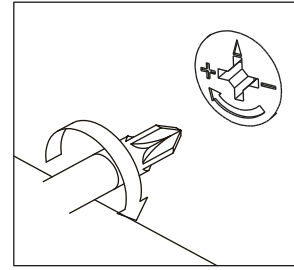
16mm

**x4**

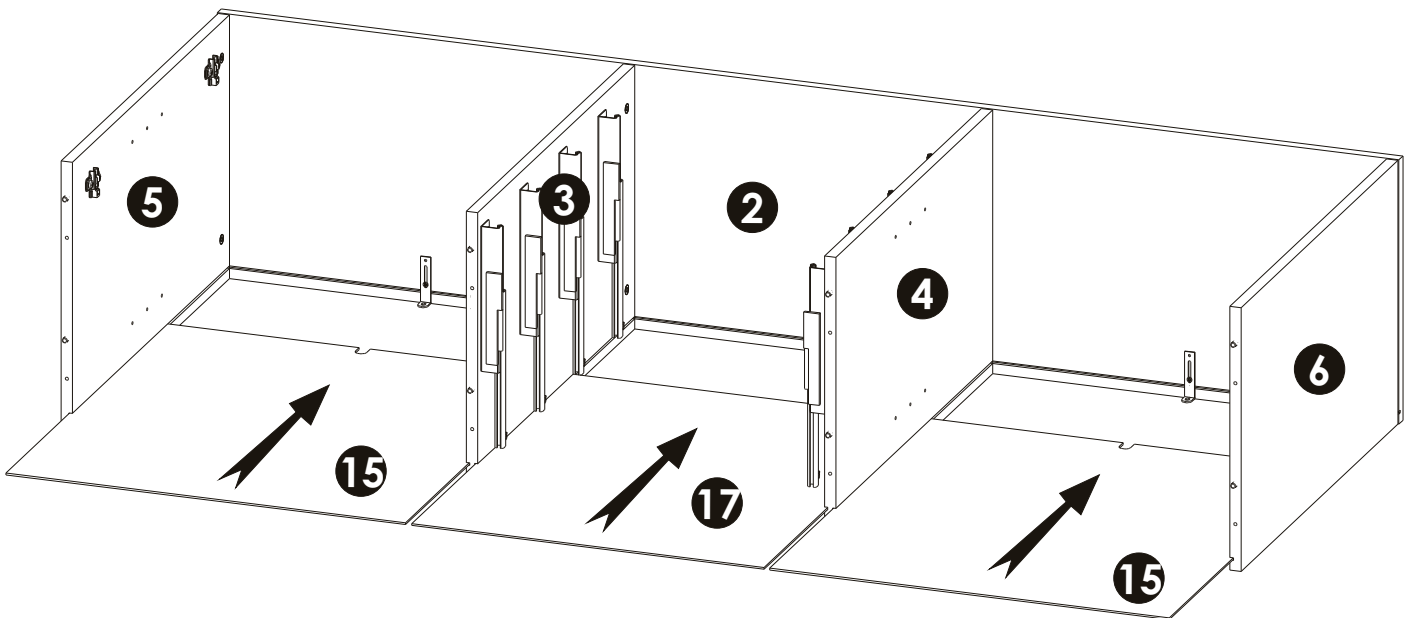




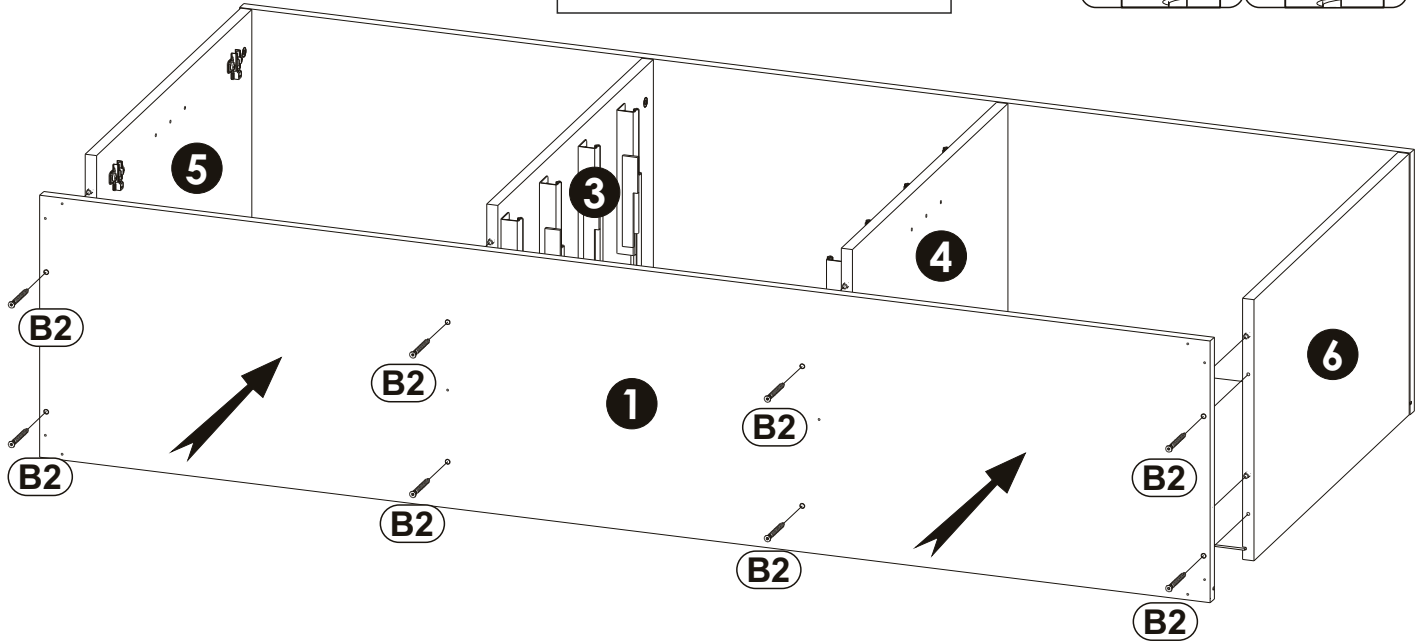
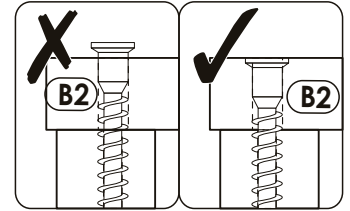
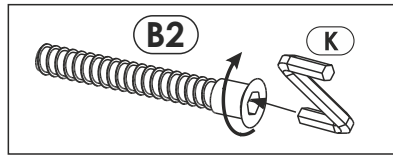
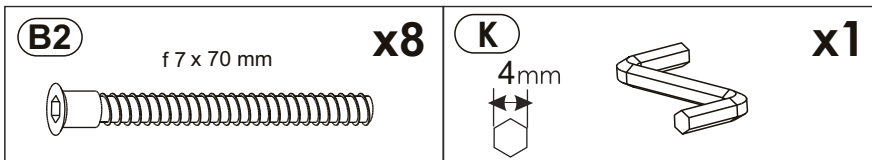
# 13



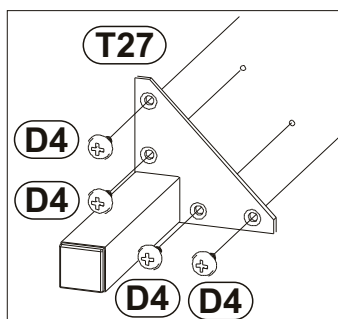
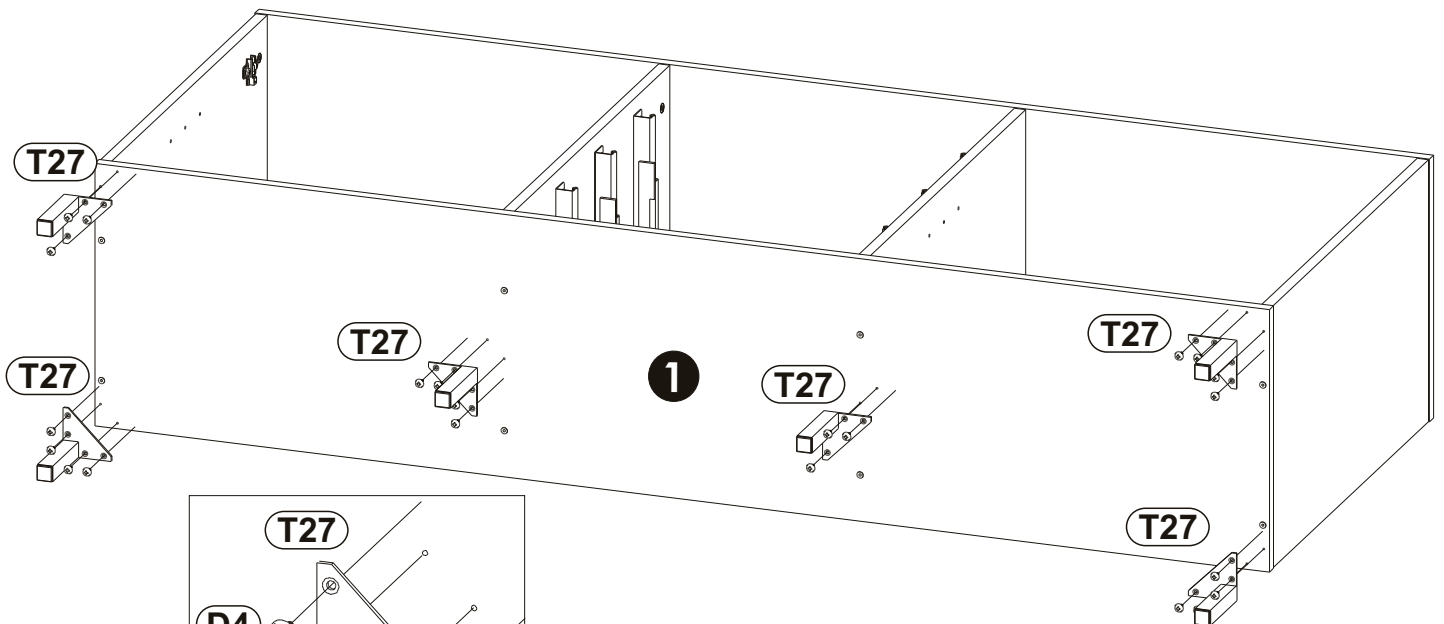
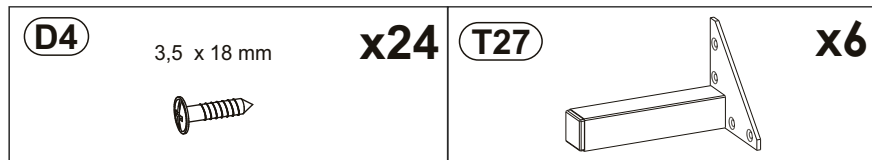
# 14



# 15

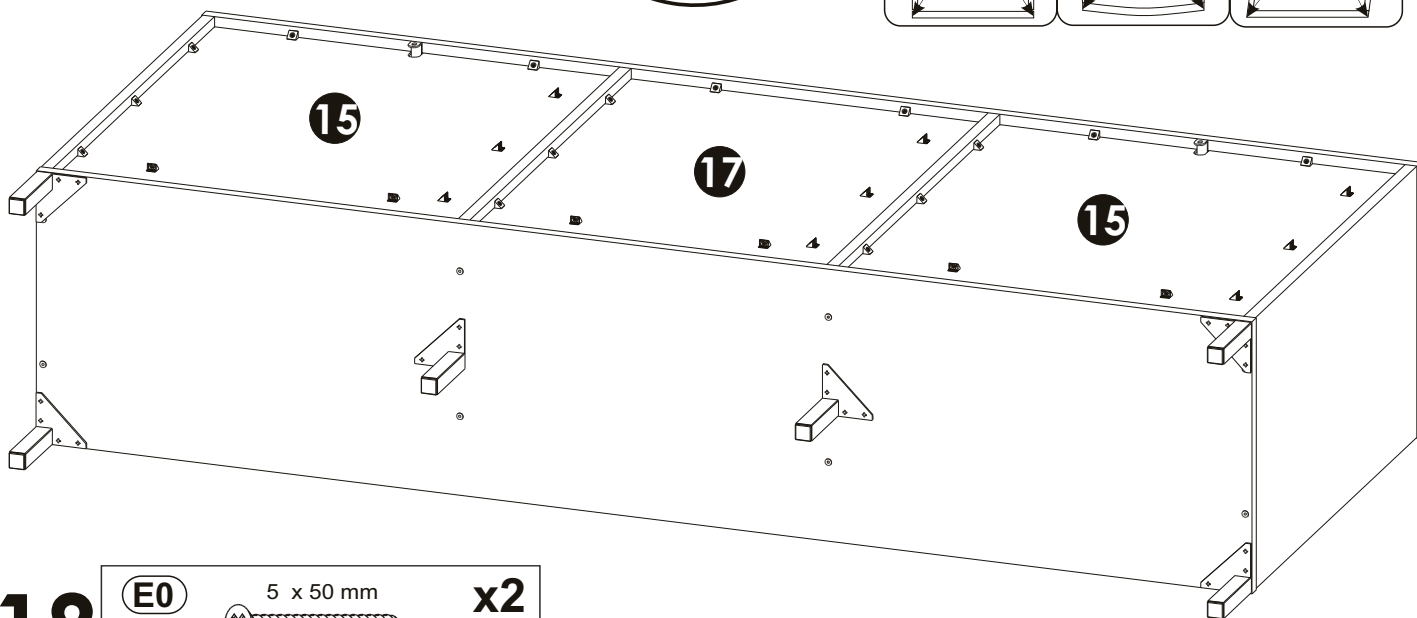
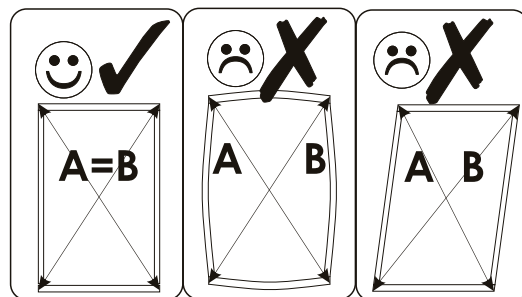
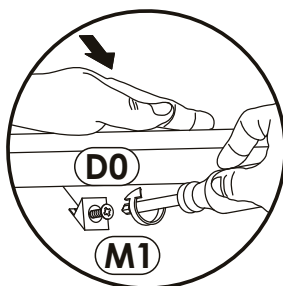


# 16



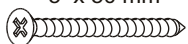
# 17

<b>D0</b>	3 x 15 mm	<b>x30</b>	<b>M1</b>		<b>x30</b>
-----------	-----------	------------	-----------	--	------------

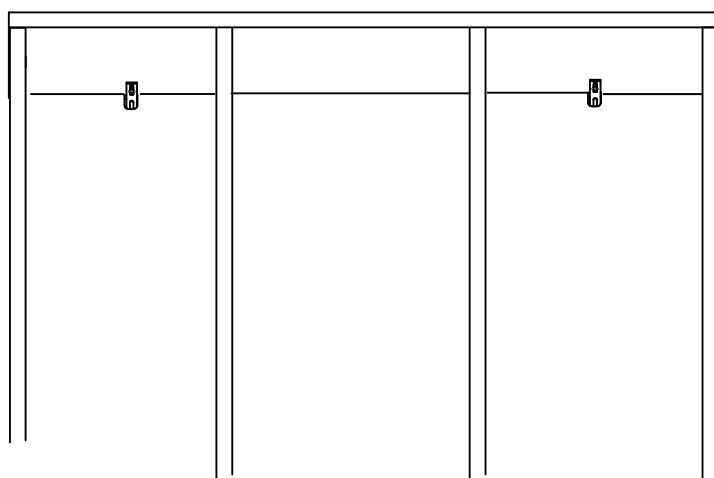
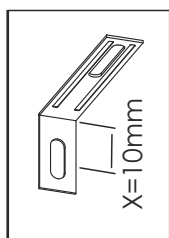
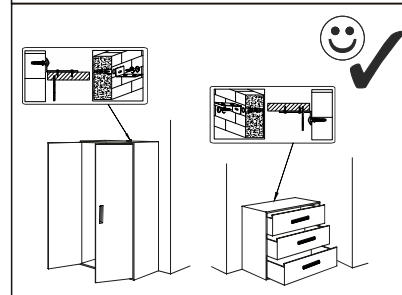
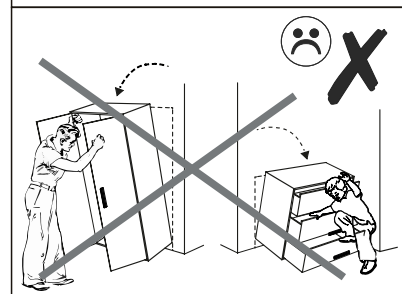
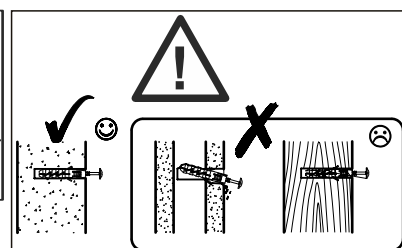
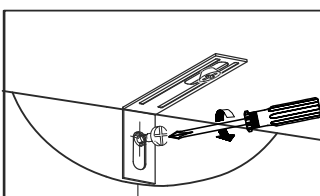
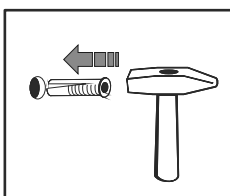
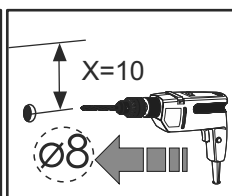
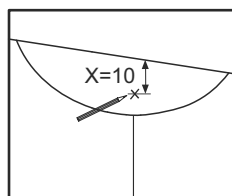


# 18

<b>E0</b>	5 x 50 mm	<b>x2</b>
	8 x 50 mm	

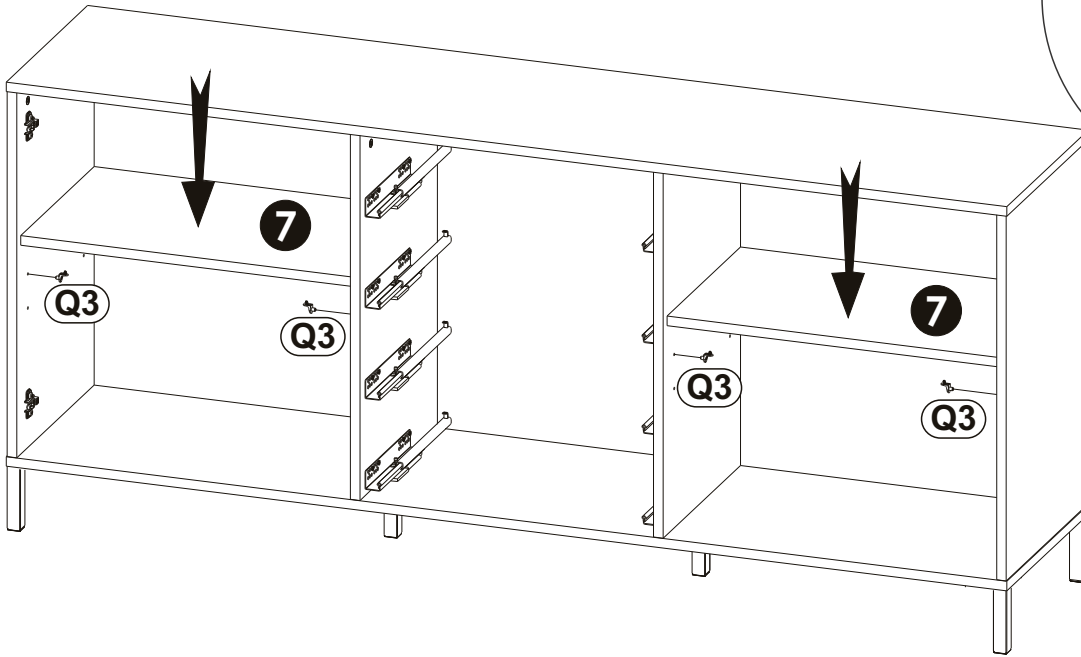
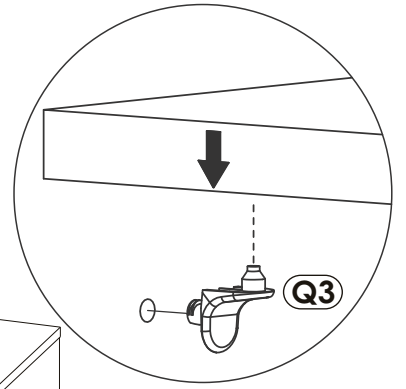
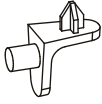


8 x 50 mm

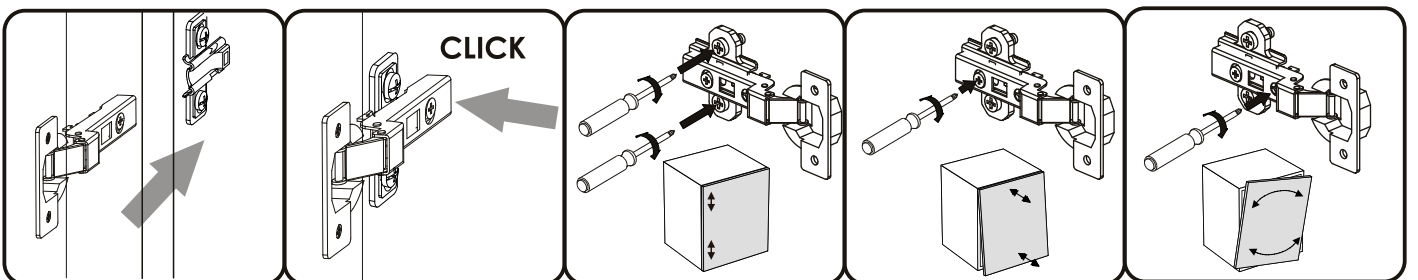
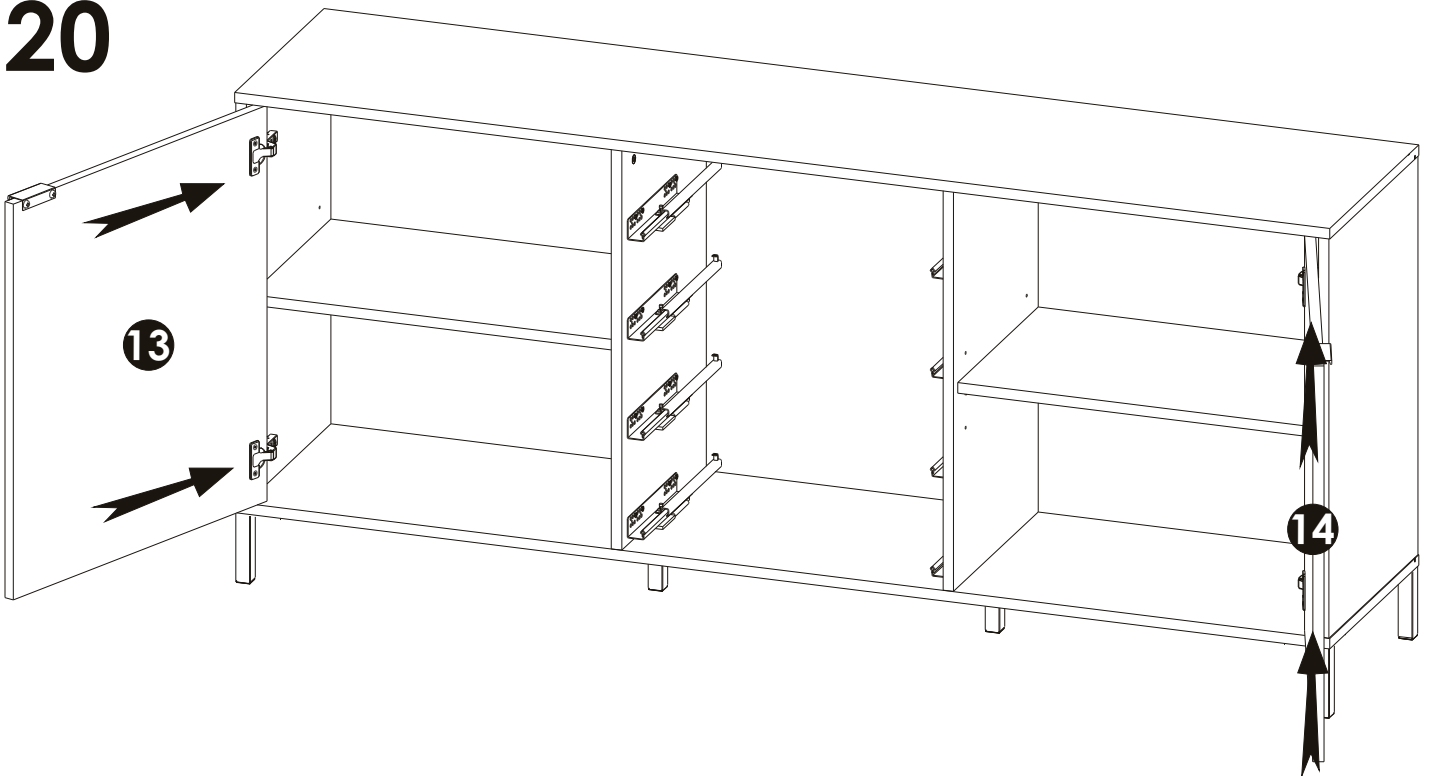


# 19

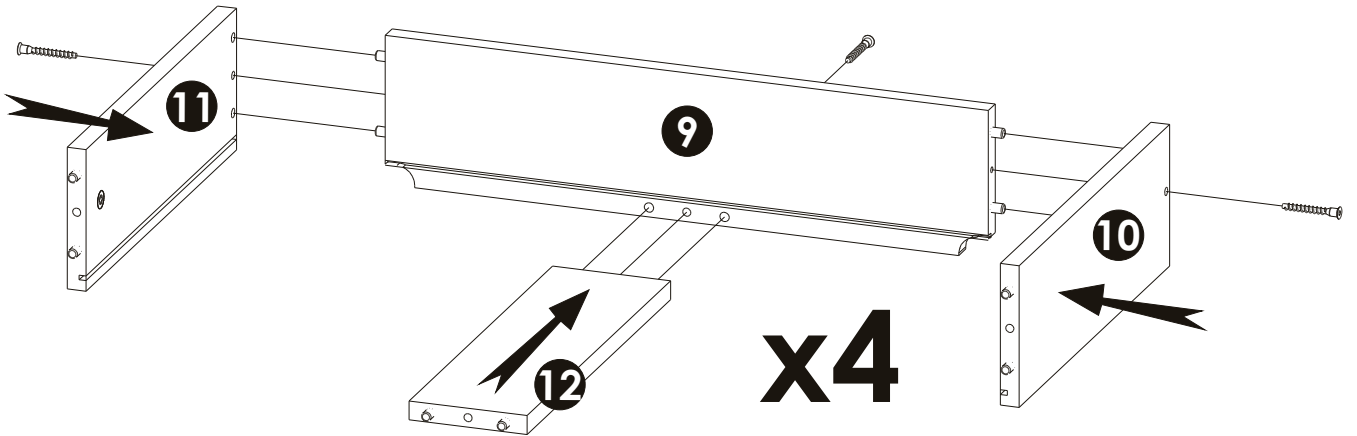
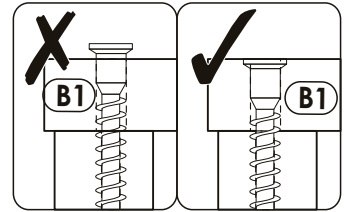
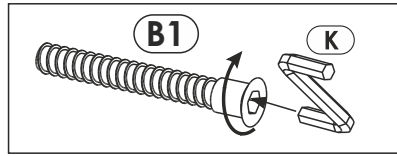
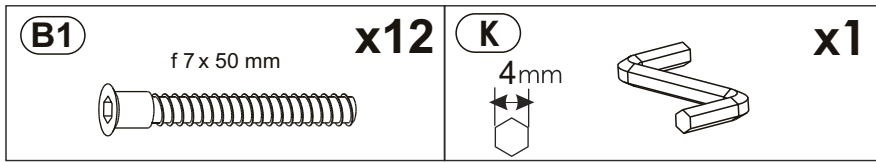
Q3 x8



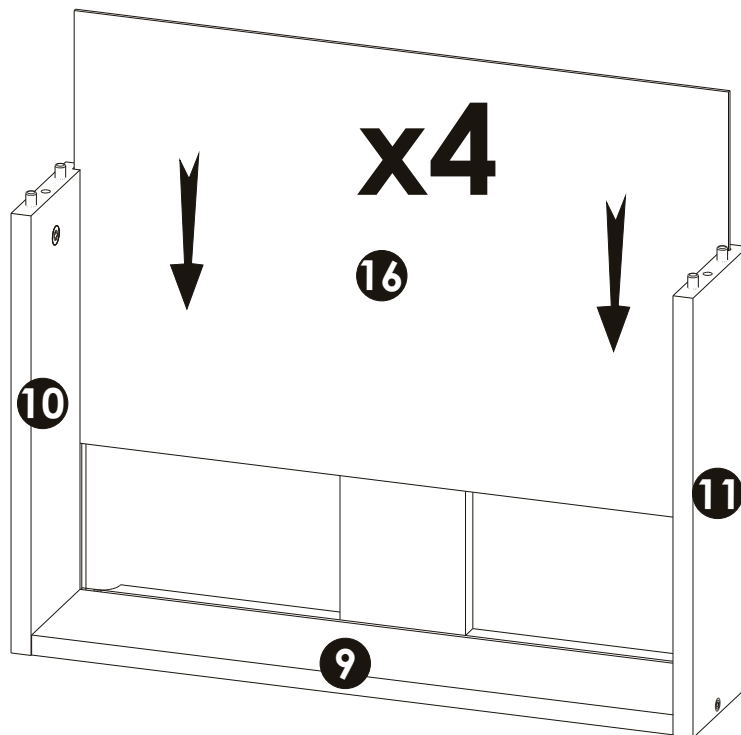
# 20



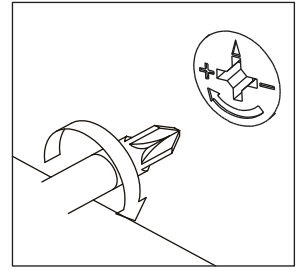
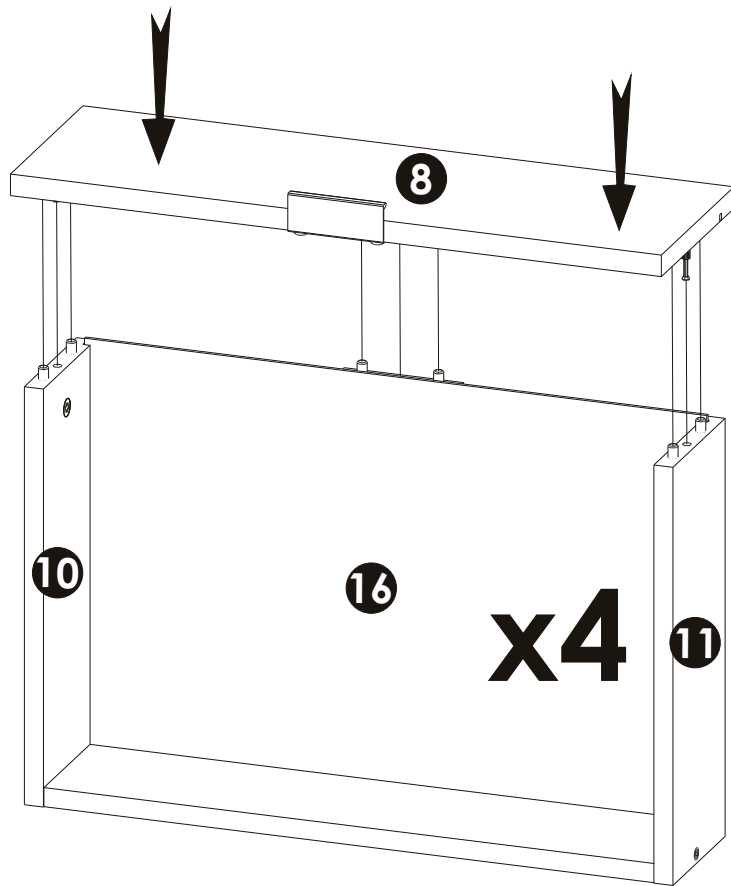
# 21



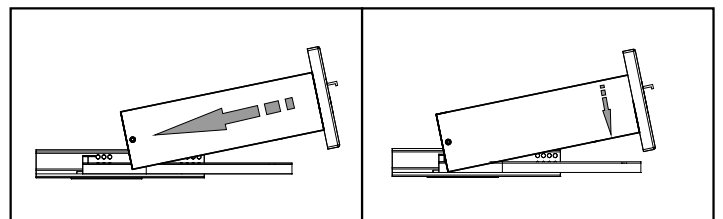
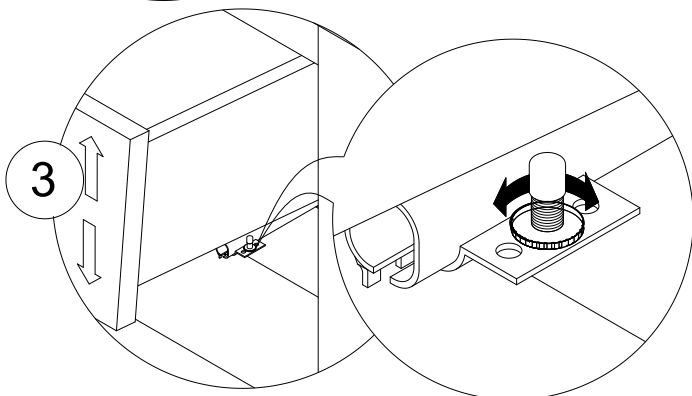
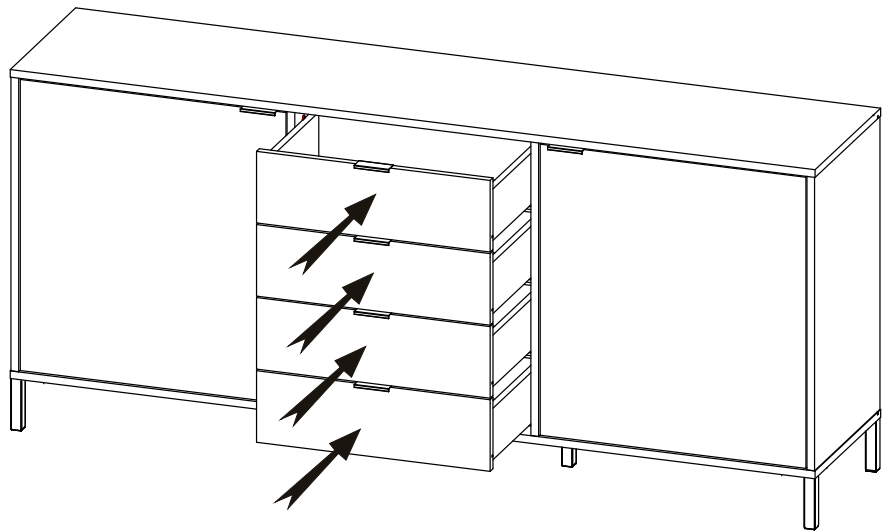
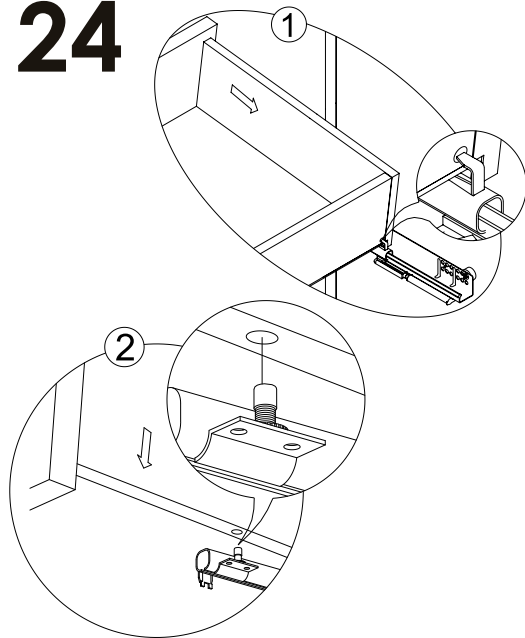
# 22



# 23



# 24



25

