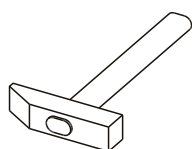
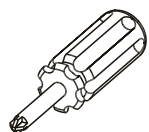
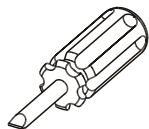
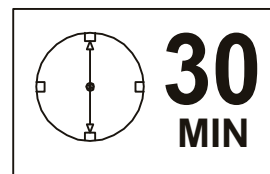
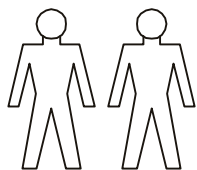


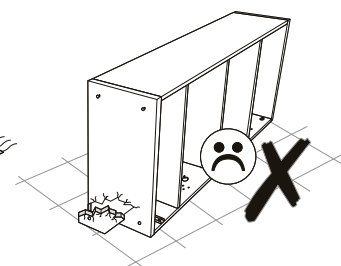
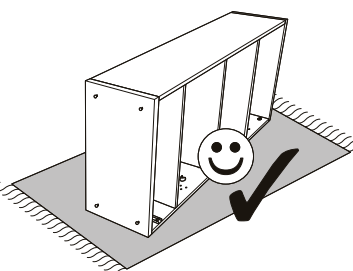
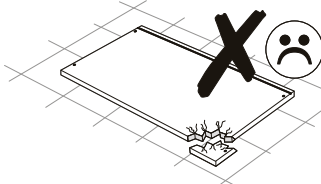
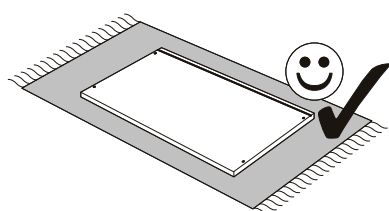
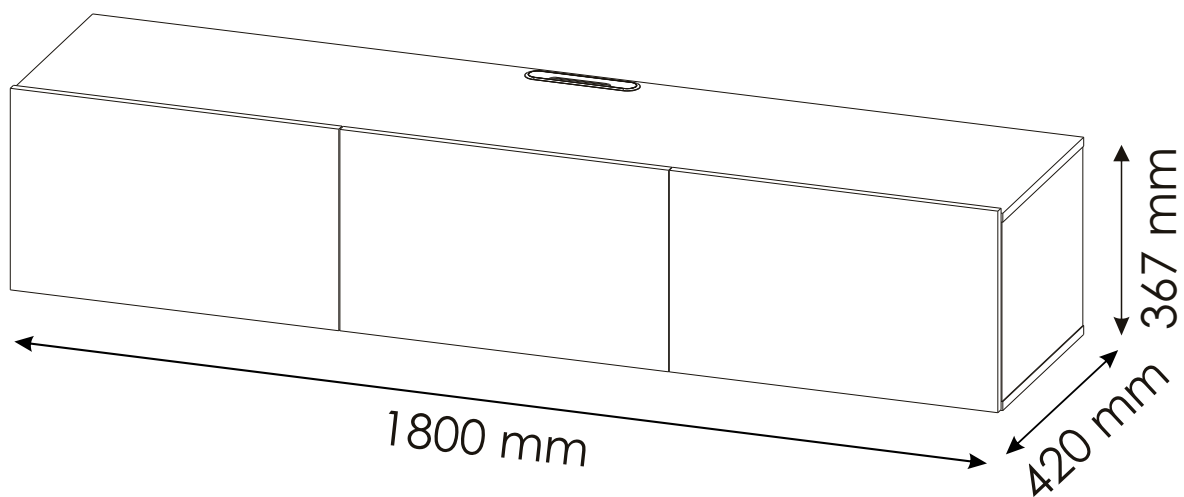
# NEWNIQ Lowboard








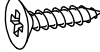

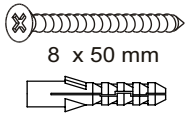
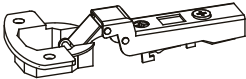

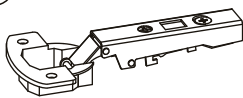
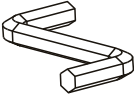
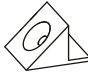
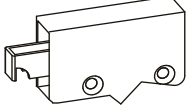
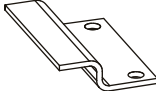

Art. nr.: 00030090/01

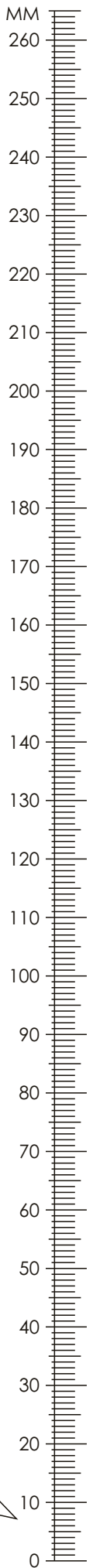
Art. nr.: 00030090/04



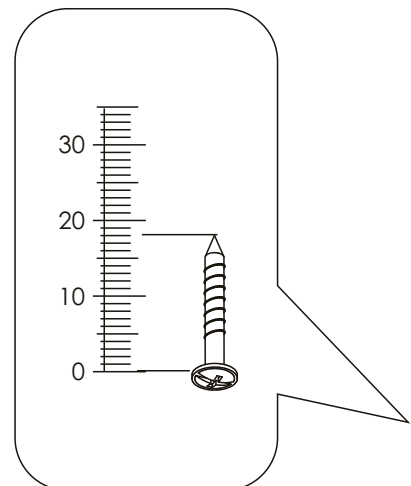
Ø8




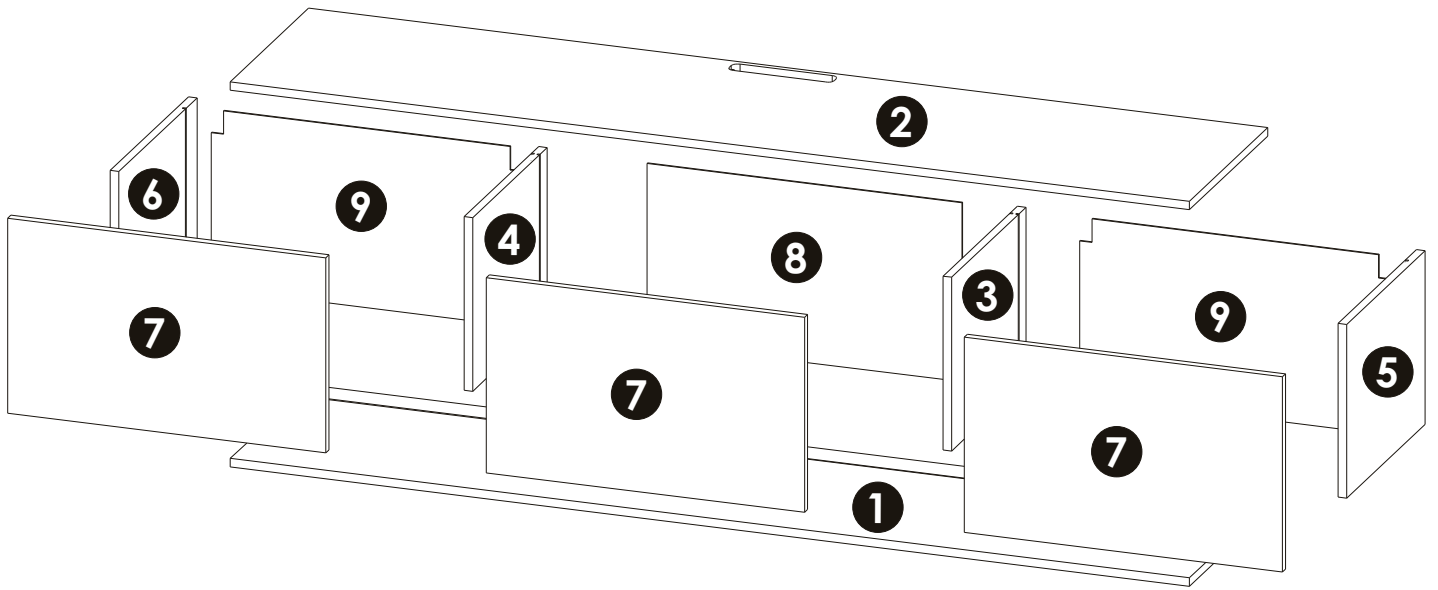
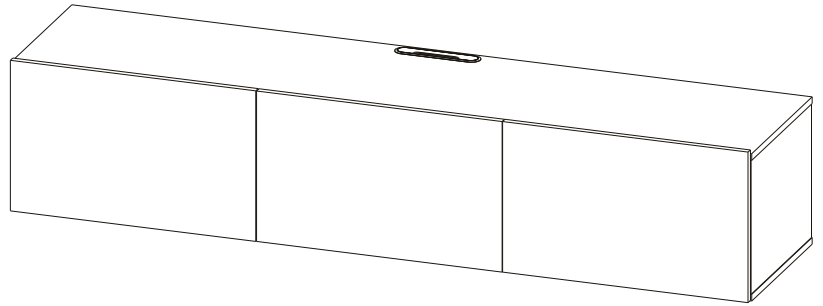
<b>A0</b> 8 x 30mm  <b>x16</b>	<b>B1</b> f 7 x 50 mm  <b>x8</b>	<b>B5</b> Ø5mm  <b>x4</b>
<b>C0</b>  <b>x8</b>	<b>C2</b>  <b>x8</b>	<b>C7</b> 16mm  <b>x8</b>
<b>D0</b> 3 x 15 mm  <b>x18</b>	<b>D10</b> 4 x 16 mm  <b>x12</b>	<b>D13</b> 4 x 30 mm  <b>x8</b>
<b>E0</b> 5 x 50 mm 8 x 50 mm  <b>x8</b>	<b>J1</b>  <b>x2</b>	<b>J3</b>  <b>x6</b>
<b>J10</b>  <b>x4</b>	<b>K</b> 4mm  <b>x1</b>	<b>M1</b>  <b>x18</b>
<b>P4</b>  <b>x4</b>	<b>P5</b>  <b>x4</b>	<b>P38</b>  <b>x1</b>

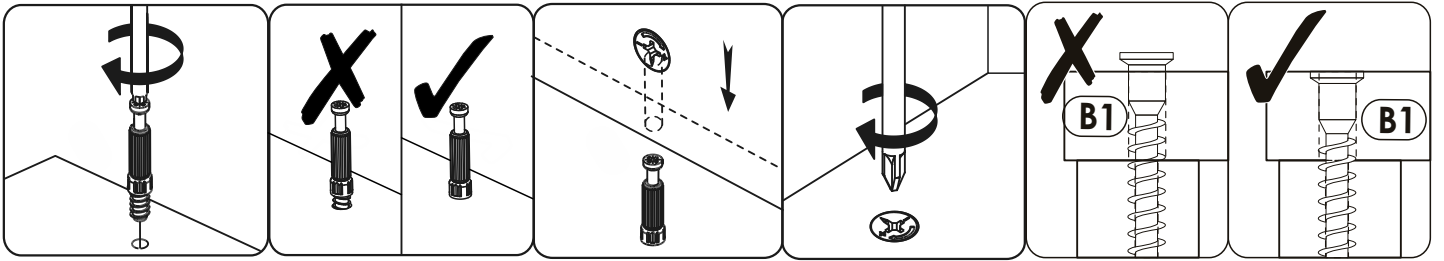


Art. nr.: 00030090/04



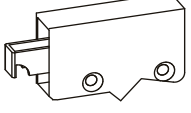


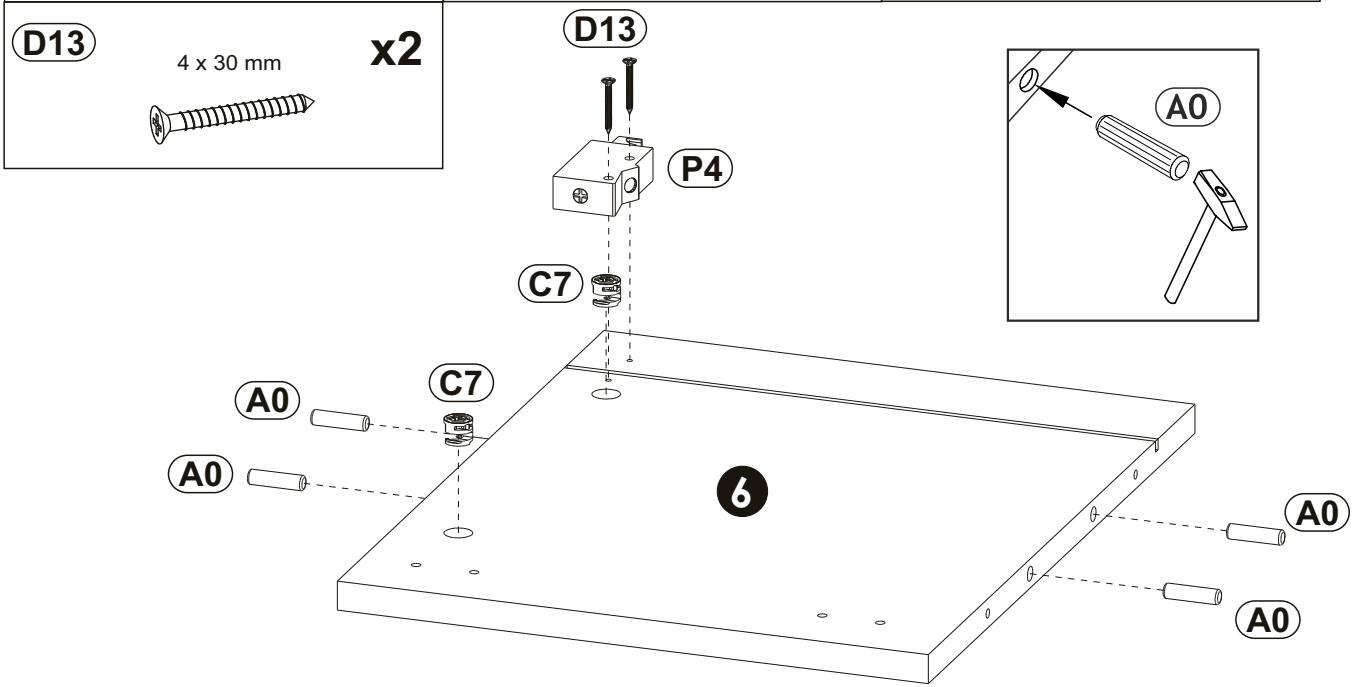
<b>1</b>	1800	404	16	x1	1/1
<b>2</b>	1800	404	16	x1	1/1
<b>3</b>	326	384	16	x1	1/1
<b>4</b>	326	384	16	x1	1/1
<b>5</b>	326	404	16	x1	1/1
<b>6</b>	326	404	16	x1	1/1
<b>7</b>	366	597	16	x3	1/1
<b>8</b>	591	336	3	x1	1/1
<b>9</b>	584	336	3	x2	1/1
					1/1





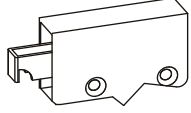


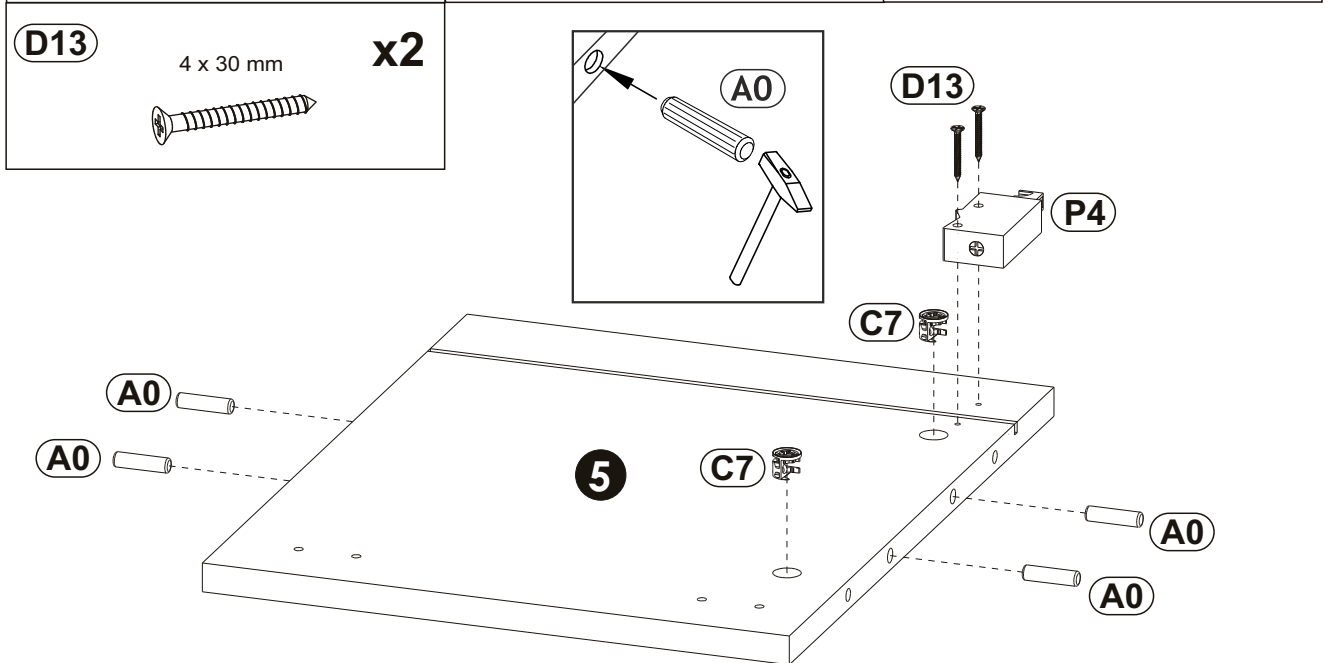
**1**

<b>A0</b> 8 x 30mm 	<b>x4</b>	<b>C7</b> 16mm 	<b>x2</b>	<b>P4</b> 	<b>x1</b>
--	-----------	--	-----------	--	-----------

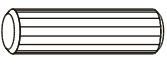

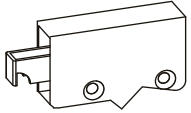



**2**

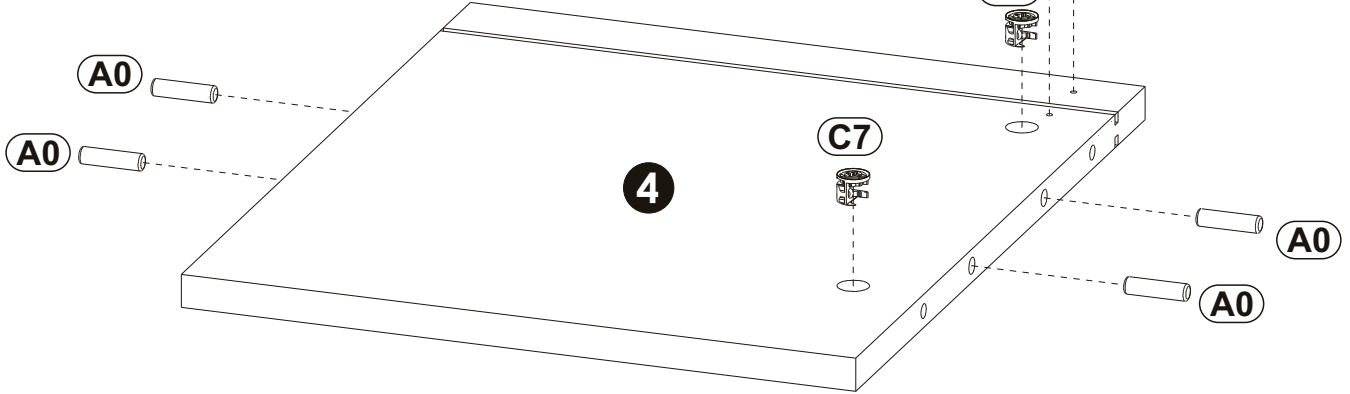
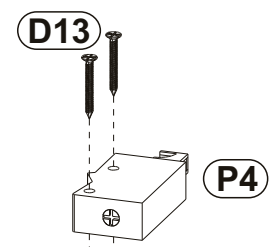
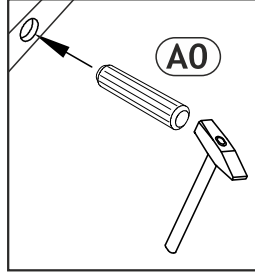
<b>A0</b> 8 x 30mm 	<b>x4</b>	<b>C7</b> 16mm 	<b>x2</b>	<b>P4</b> 	<b>x1</b>
--	-----------	--	-----------	--	-----------



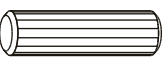

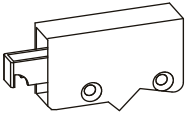
# 3


<b>A0</b> 8 x 30mm 	<b>x4</b>	<b>C7</b> 16mm 	<b>x2</b>	<b>P4</b> 	<b>x1</b>
--	-----------	--	-----------	--	-----------

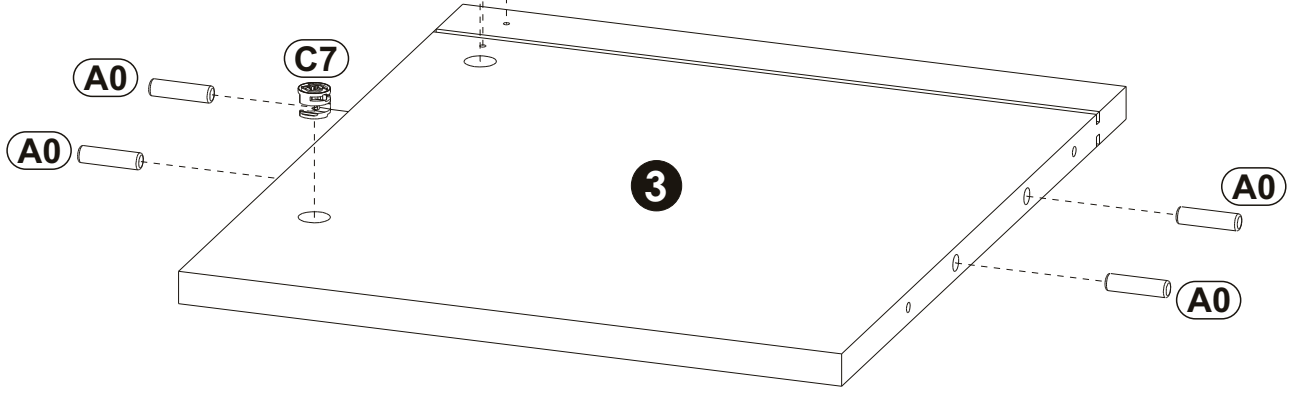
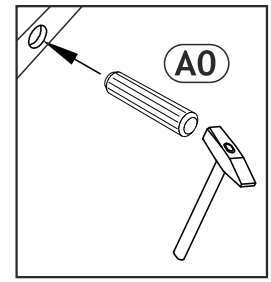
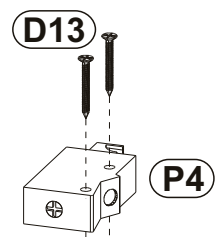
<b>D13</b> 4 x 30 mm 	<b>x2</b>
--	-----------



# 4

<b>A0</b> 8 x 30mm 	<b>x4</b>	<b>C7</b> 16mm 	<b>x2</b>	<b>P4</b> 	<b>x1</b>
--	-----------	--	-----------	--	-----------

<b>D13</b> 4 x 30 mm 	<b>x2</b>
--	-----------

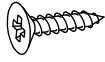


**5**

**D10**

4 x 16 mm

**x12**

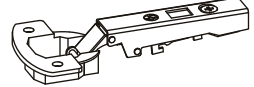


**J1**

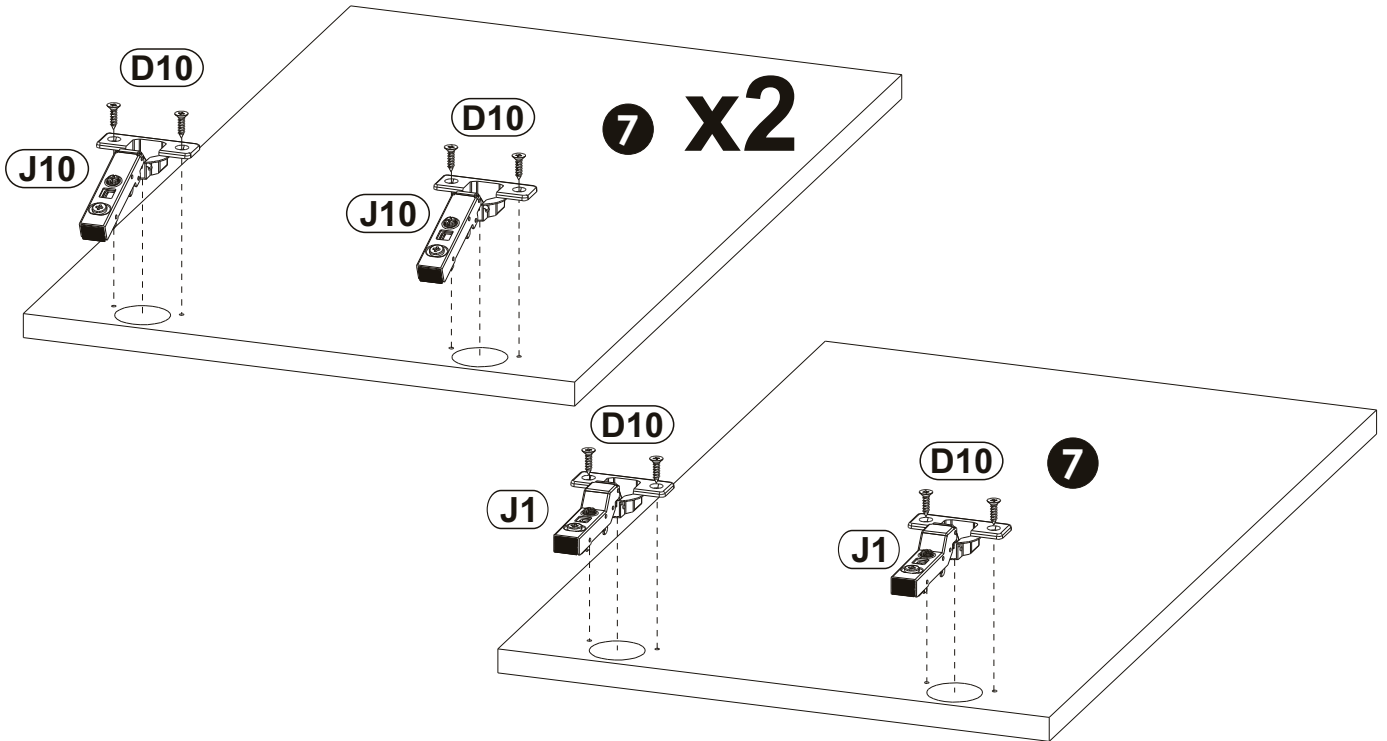


**x2**

**J10**



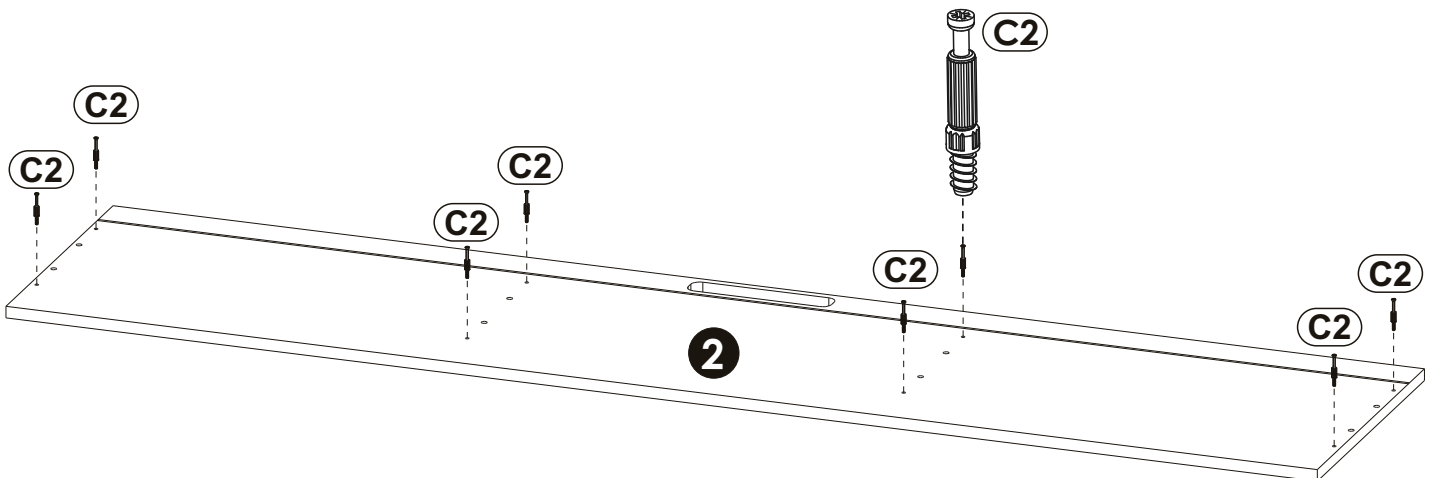
**x4**



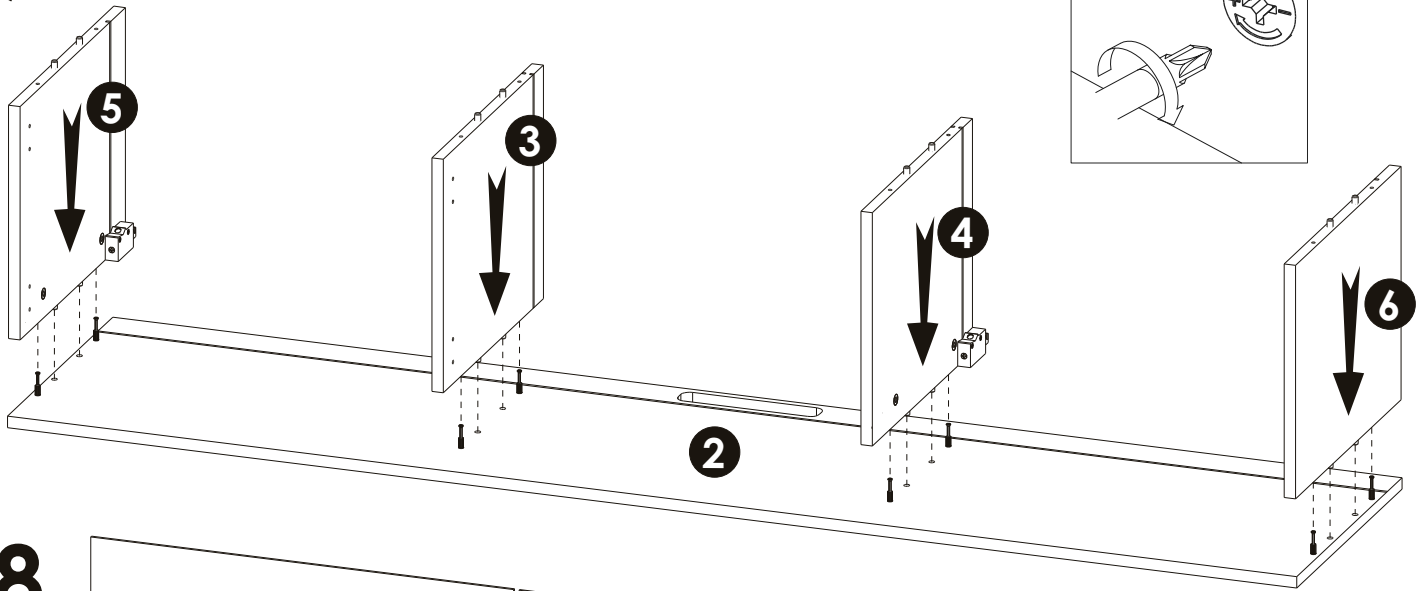
**6**

**C2**

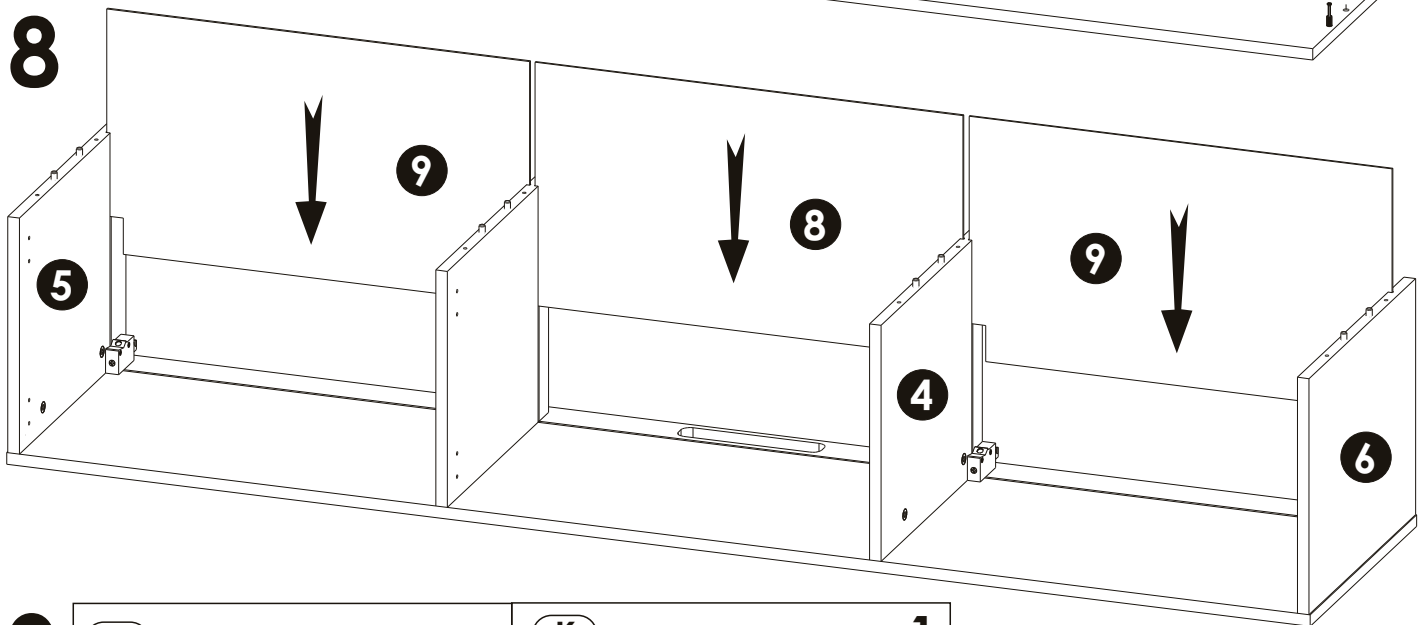
**x8**



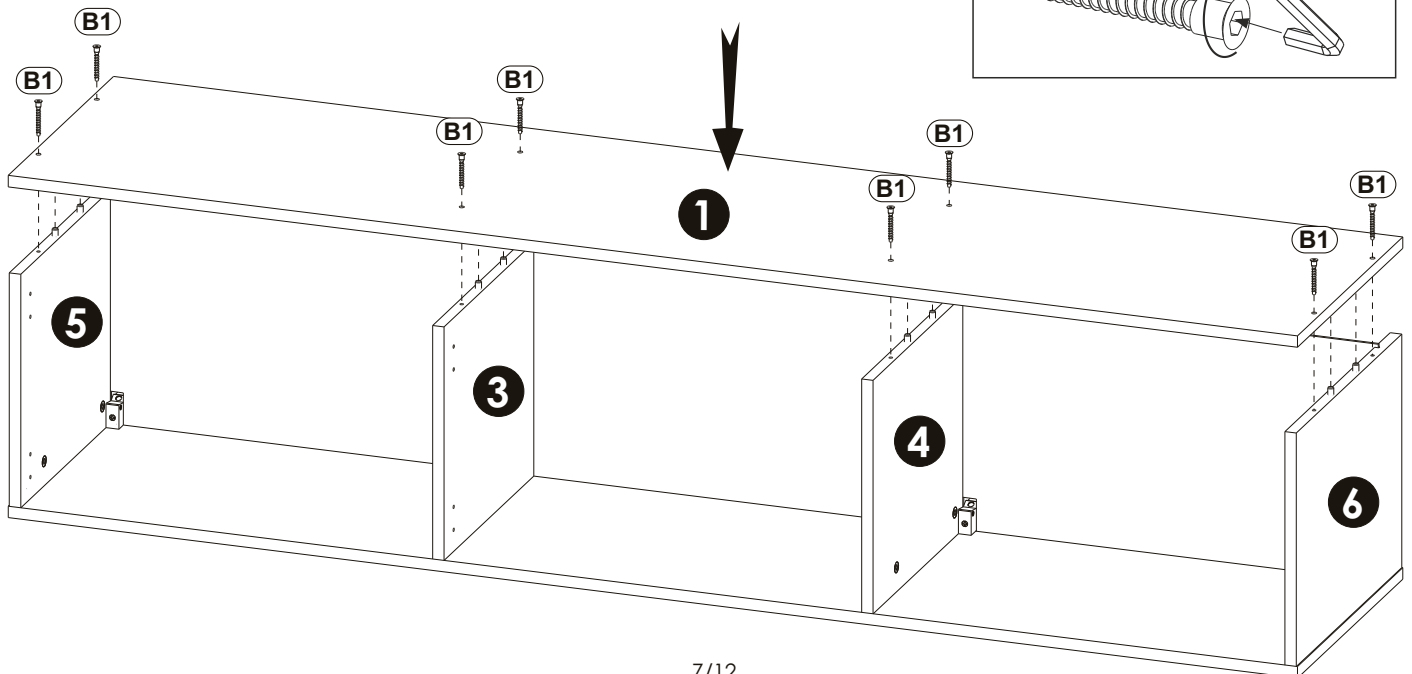
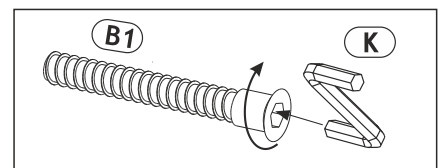
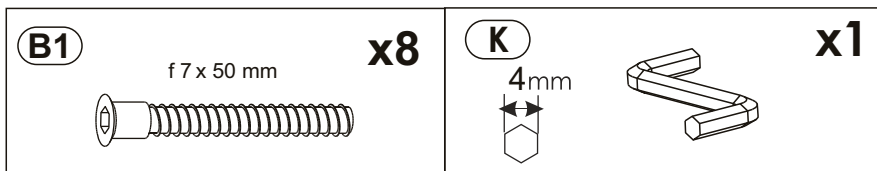
# 7




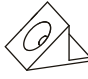
# 8

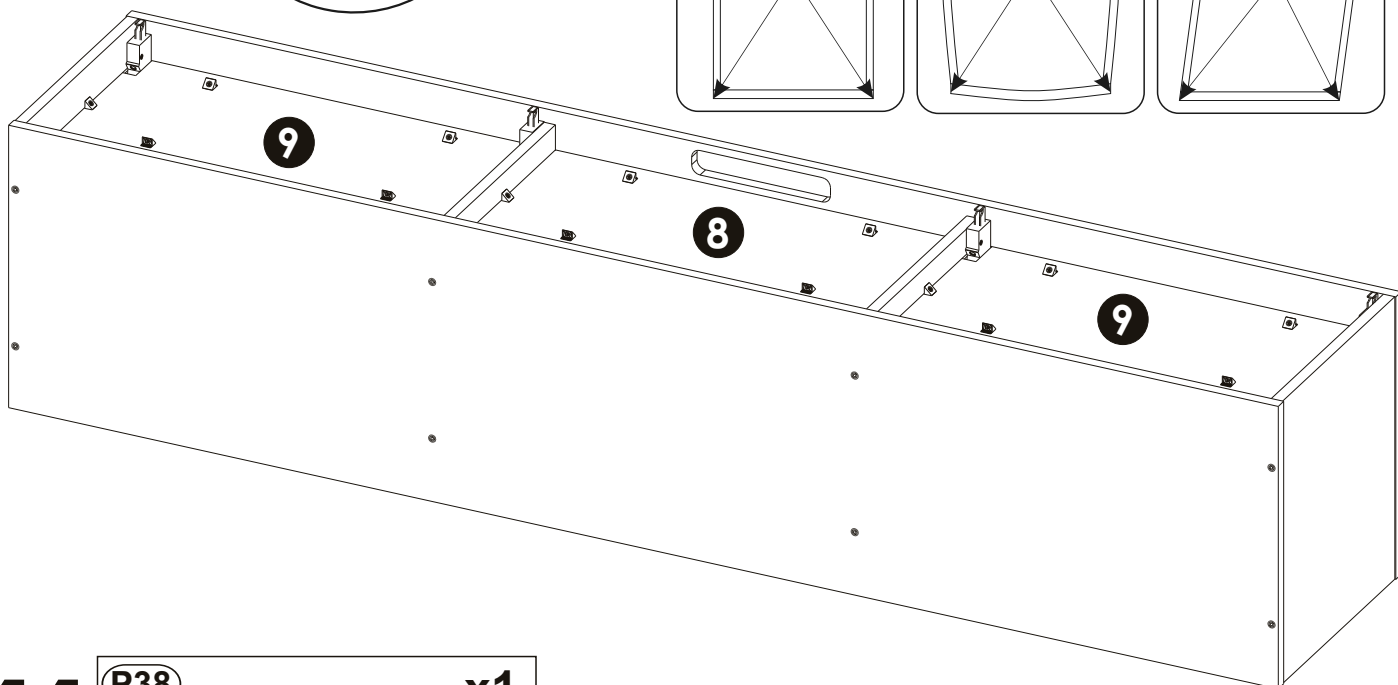
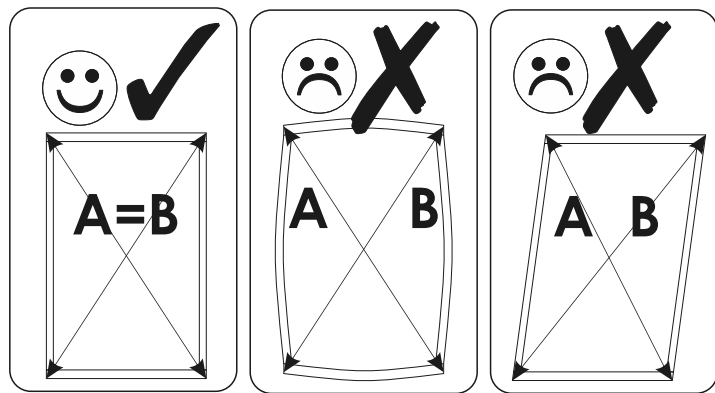
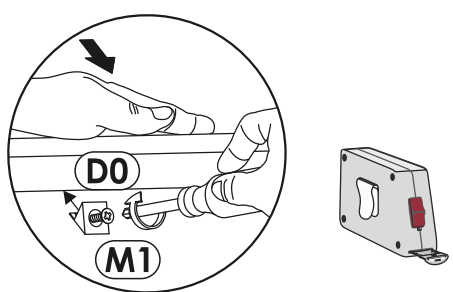


# 9

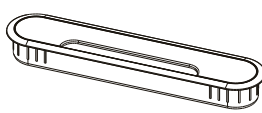


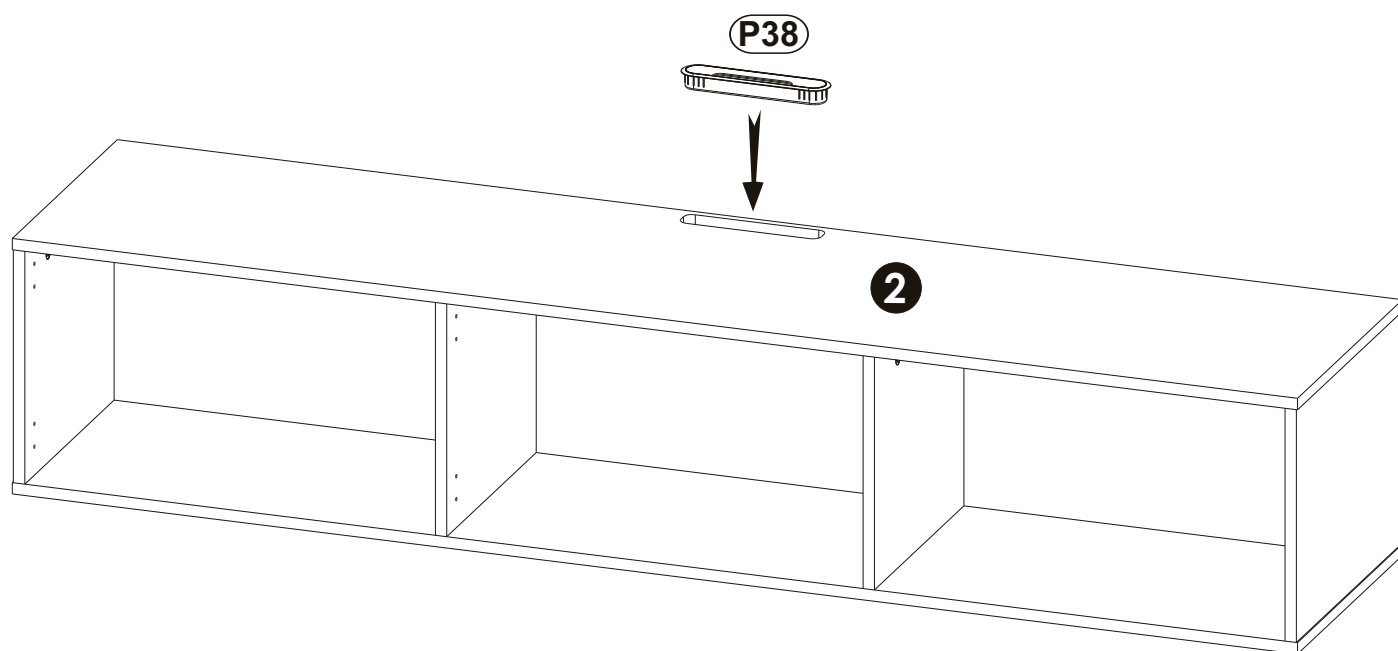
# 10

<b>D0</b> 3 x 15 mm 	<b>x18</b>	<b>M1</b> 	<b>x18</b>
---	------------	--	------------



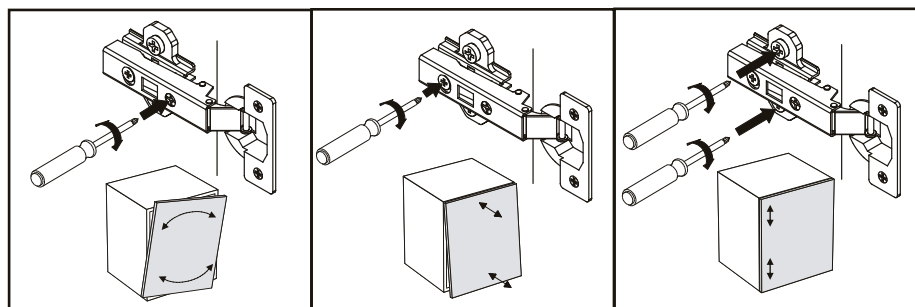
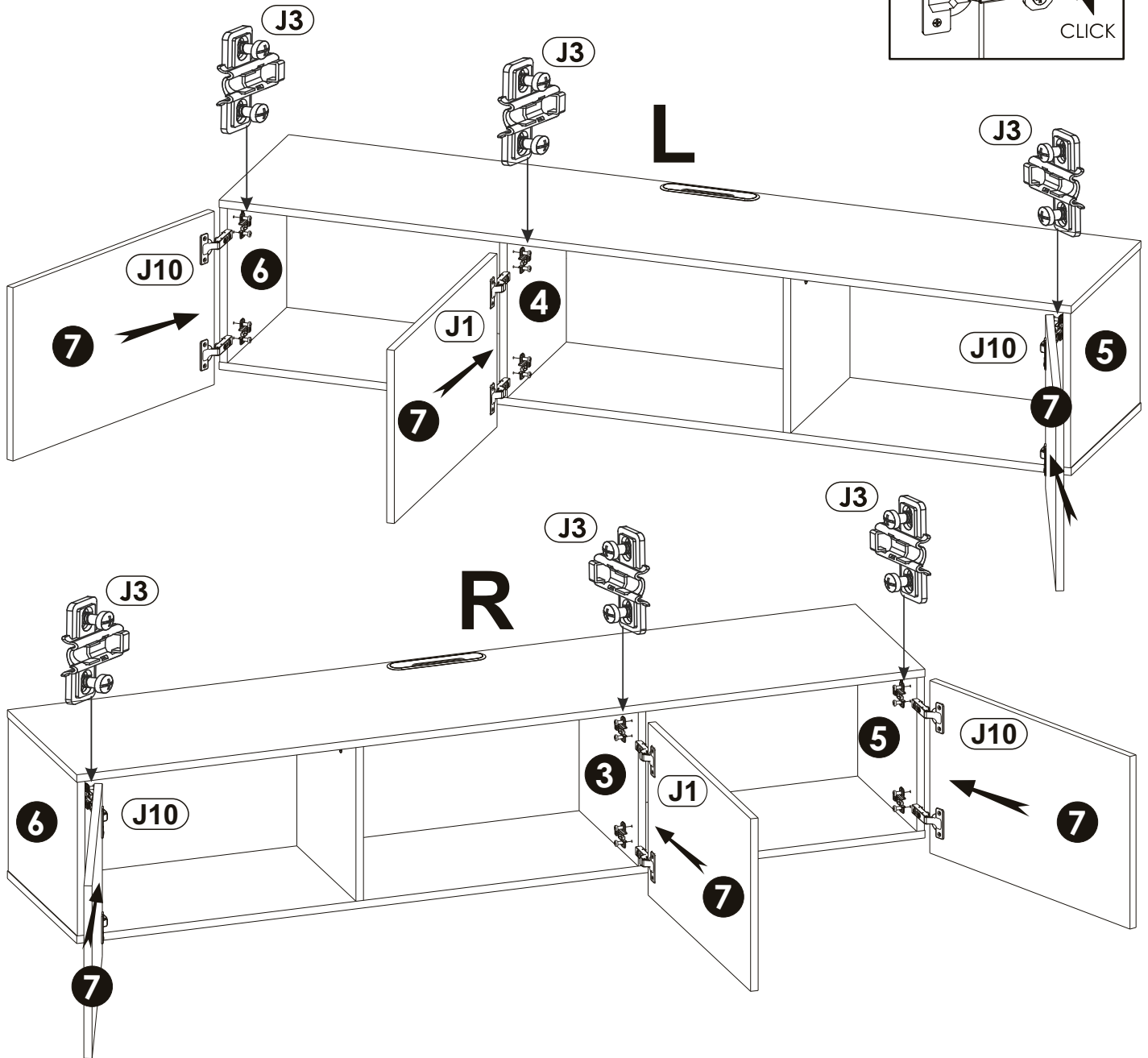
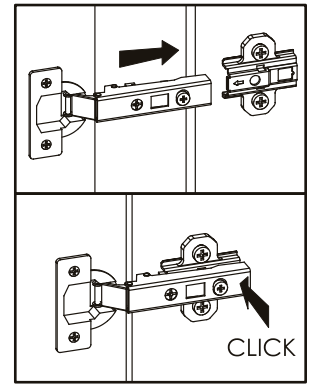
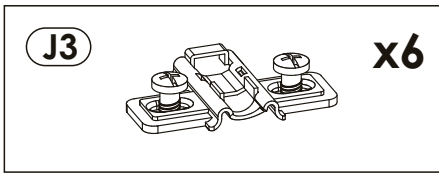
# 11

<b>P38</b> 	<b>x1</b>
---	-----------

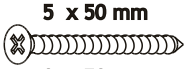




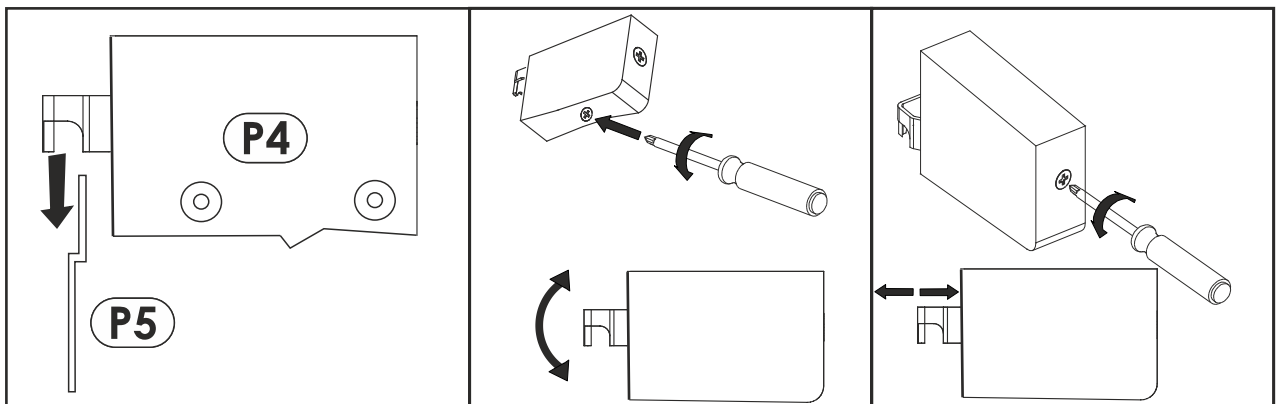
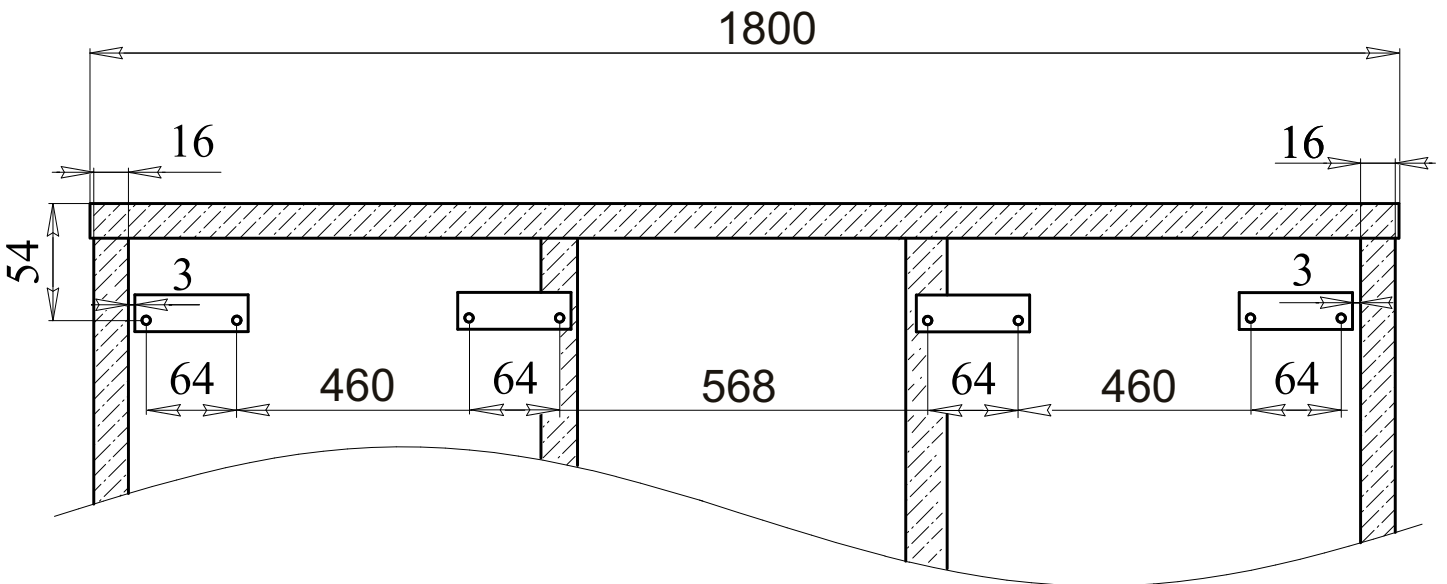
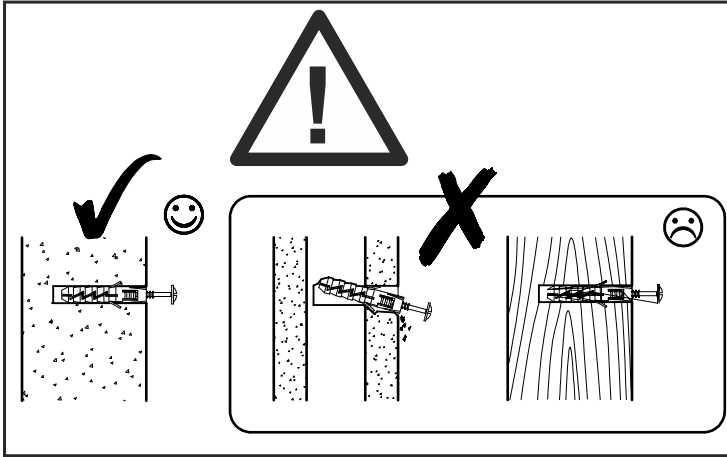
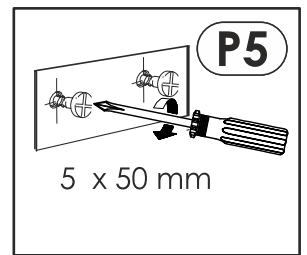
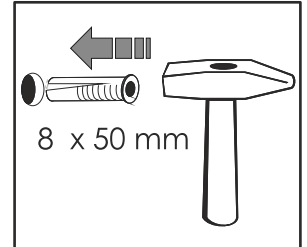
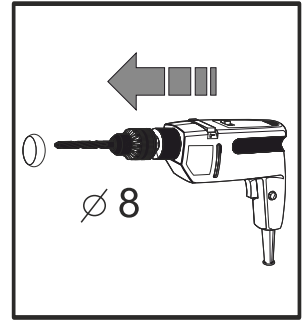


# 12





# 13

<b>(E0)</b>	 5 x 50 mm  8 x 50 mm	<b>x8</b>	<b>(P5)</b>		<b>x4</b>
-------------	---	-----------	-------------	---	-----------



# 14

<b>B5</b> Ø5mm 	<b>x4</b>	<b>C0</b> 	<b>x8</b>	<b>LOGO...</b>	<b>x1</b>
--	-----------	--	-----------	----------------	-----------

