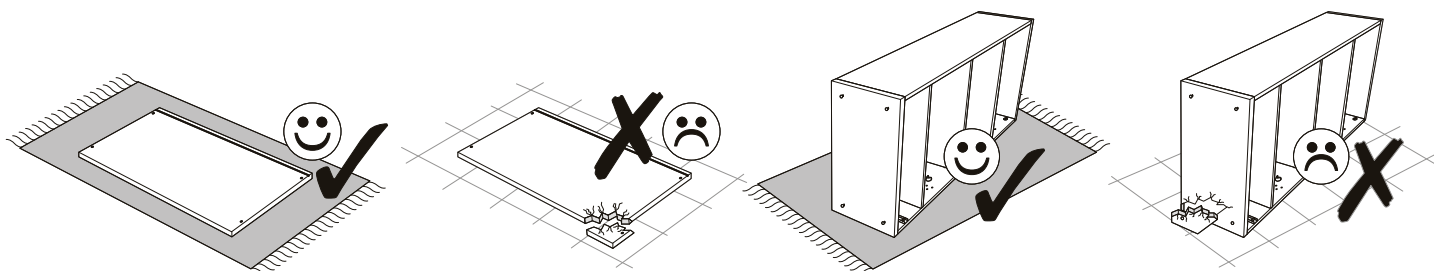
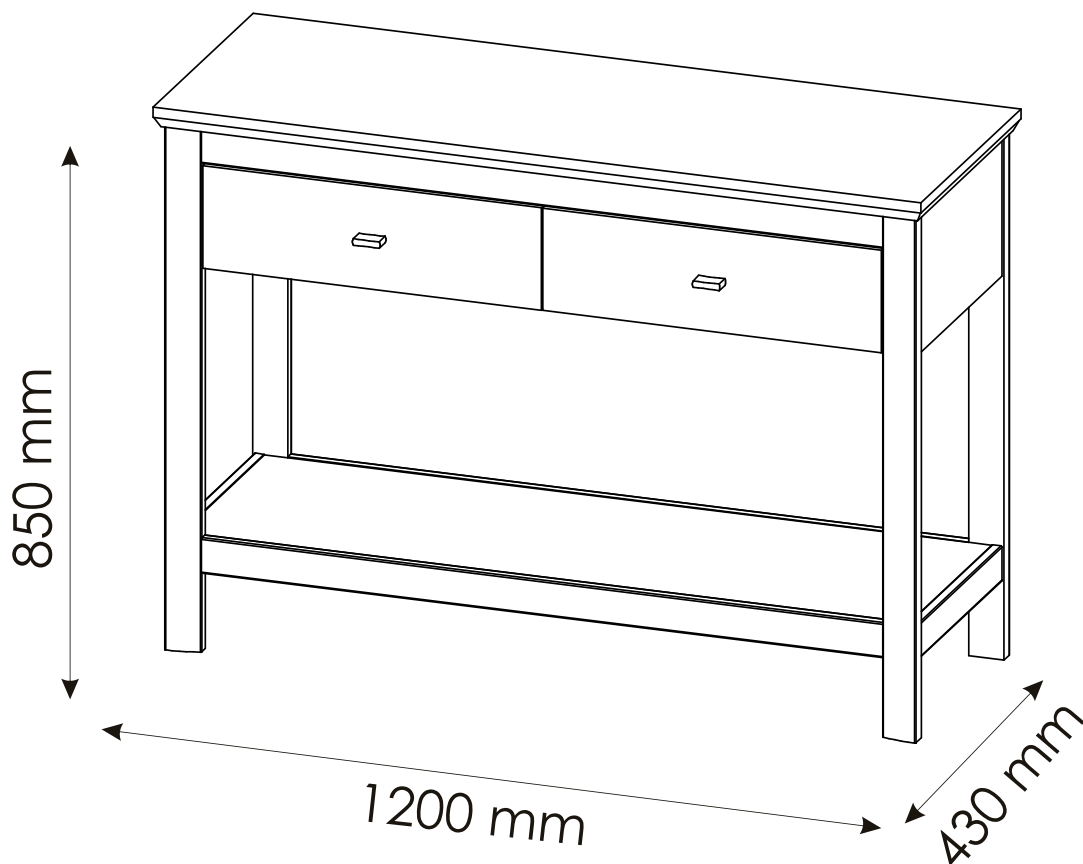
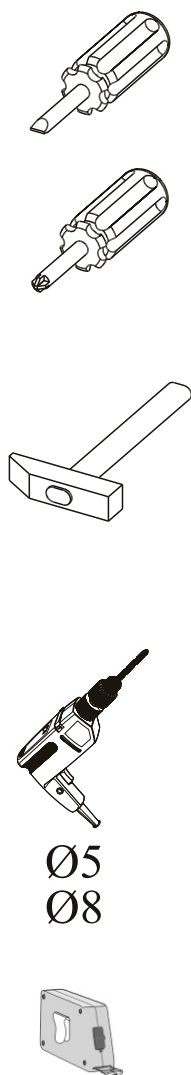
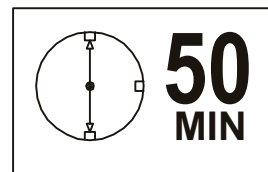
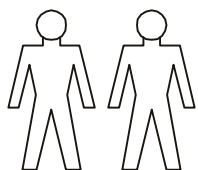
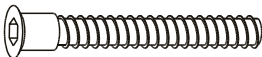





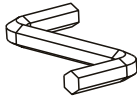

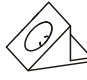
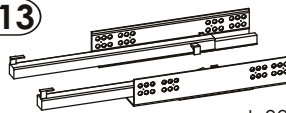




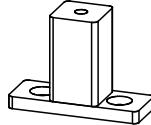
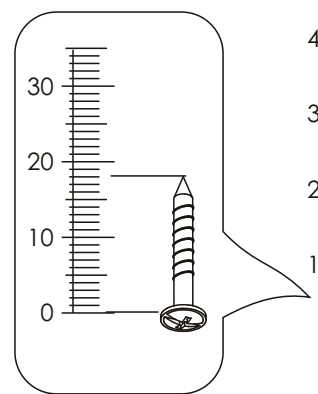
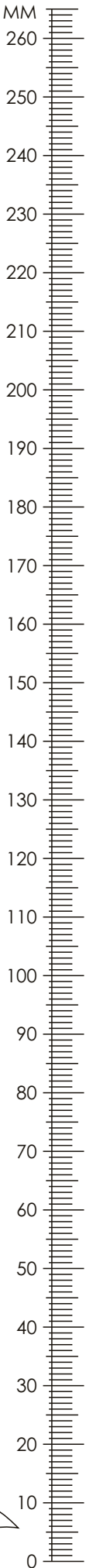



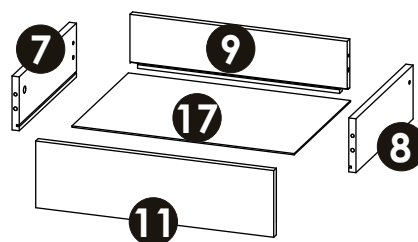
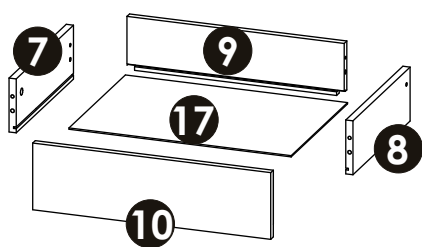
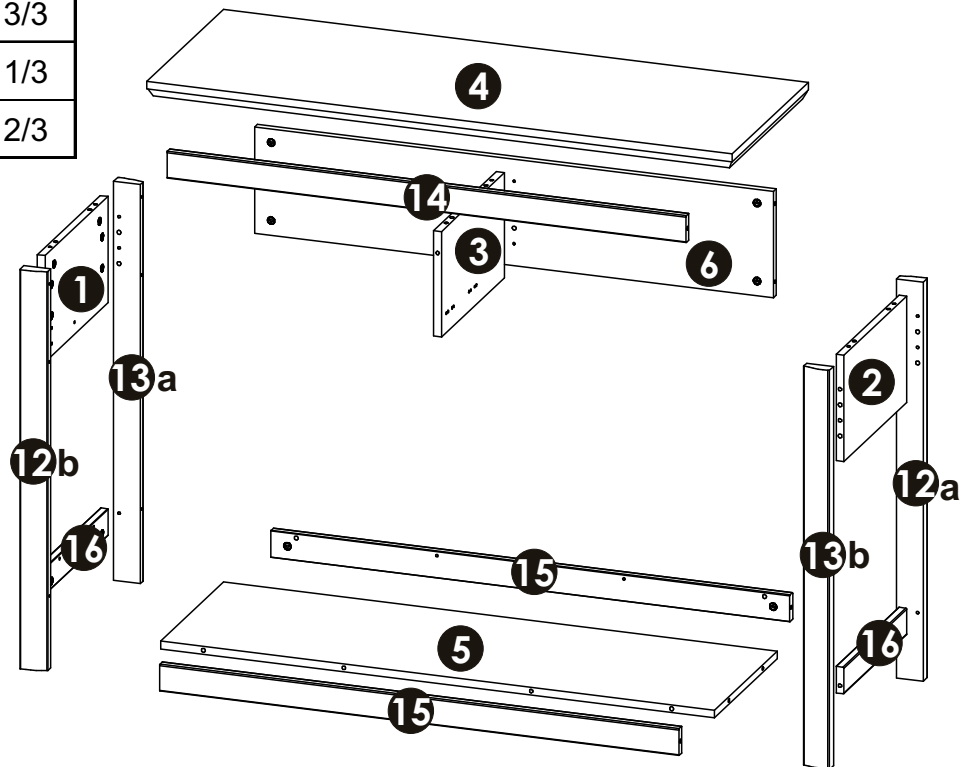
CAMRON - Konsolentisch B120 2L

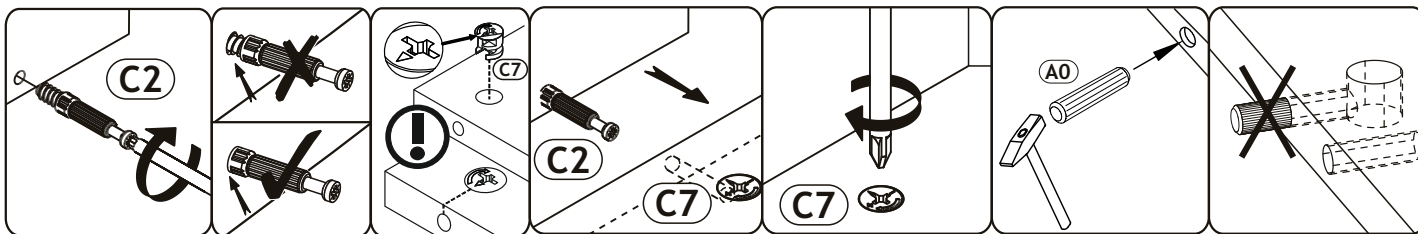


B1 f 7 x 50 mm  x4	C0  x4	C2  x43
D0 3 x 15 mm  x8	D31 6,3 x 13 mm  x16	H2 4 x 22 mm  x4
K 4mm  x1	L6  x2	M1  x8
N13  L-300mm x2	U2  x4	U3  x4
B5 Ø5mm  x2	D13 4 x 30 mm  x4	P35  H-40 mm x4

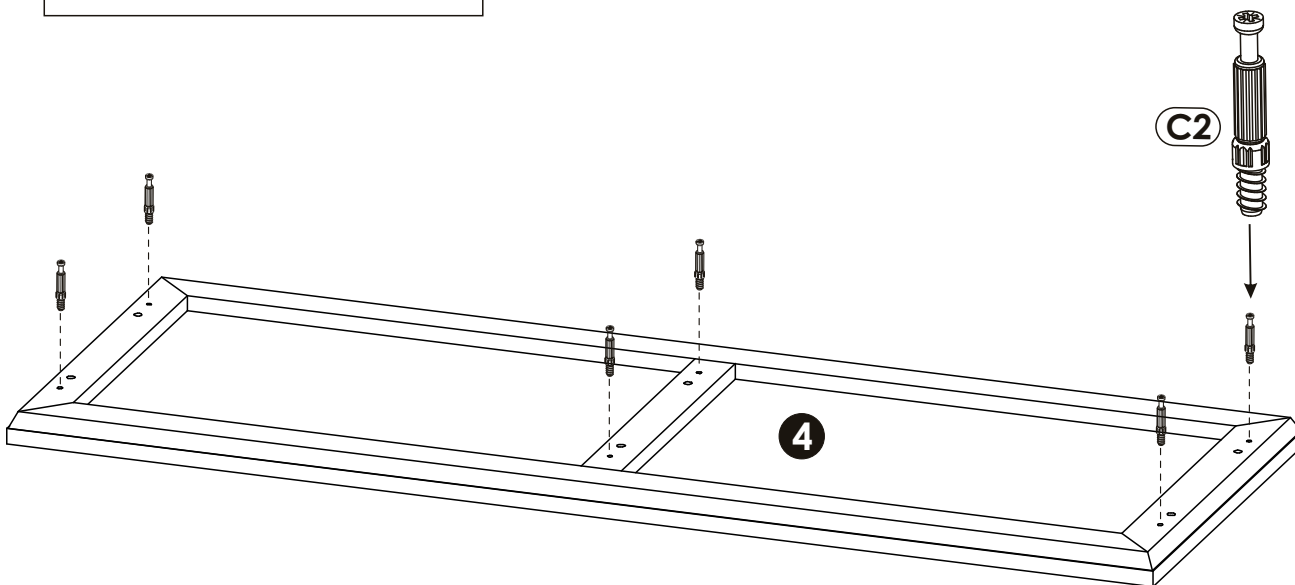
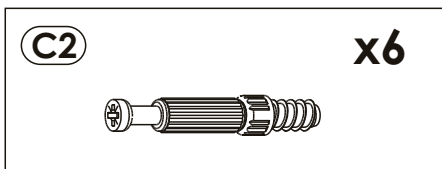


1	218	354	16	1	1/3
2	218	354	16	1	1/3
3	216	354	16	1	1/3
4	1200	430	32	1	3/3
5	1136	354	16	1	1/3
6	1064	218	16	1	1/3
7	300	120	16	2	1/3
8	300	120	16	2	1/3
9	480	118	16	2	1/3
10	529	160	16	1	1/3
11	529	160	16	1	1/3
12	818	55	25	2	3/3
13	818	55	25	2	3/3
14	1064	55	16	1	3/3
15	1064	55	16	2	3/3
16	354	55	16	2	3/3
17	490	294	3	2	1/3
18				1	2/3

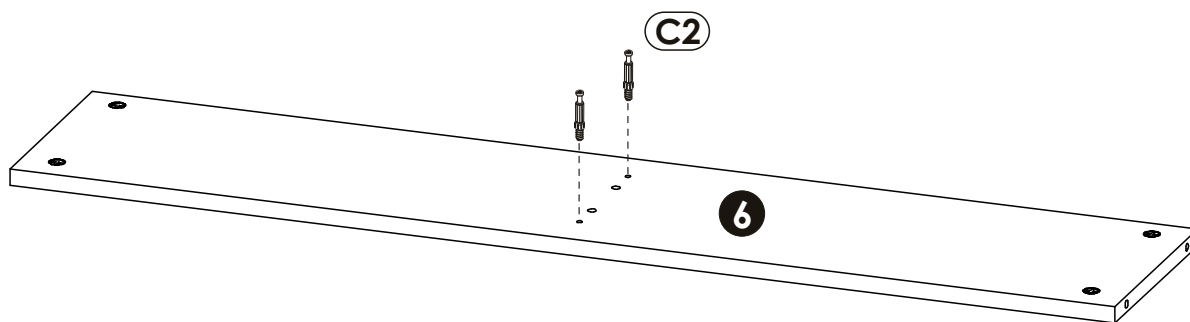
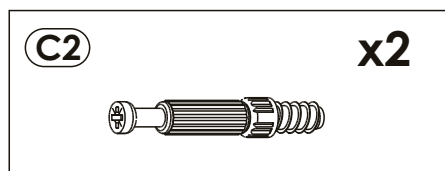




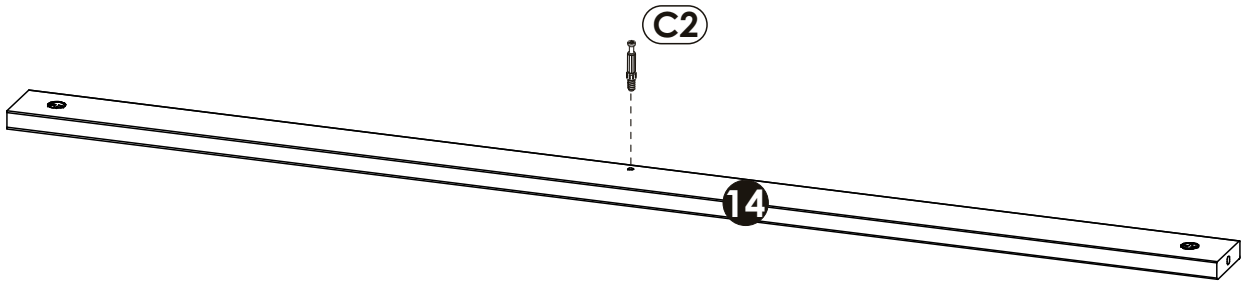
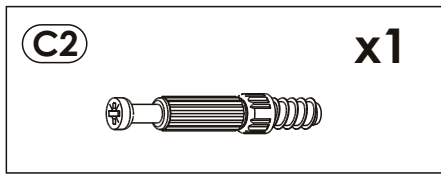
1 ▶



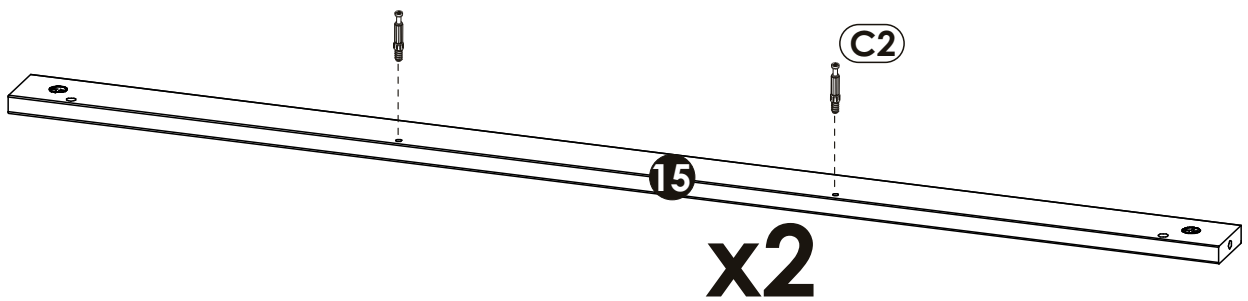
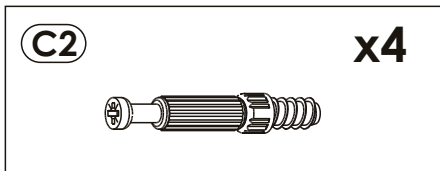
2 ▶



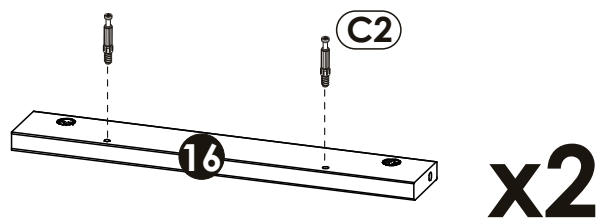
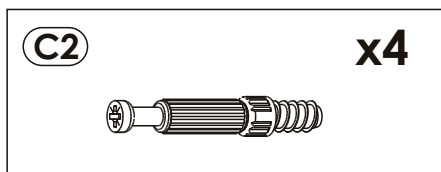
3 ▶



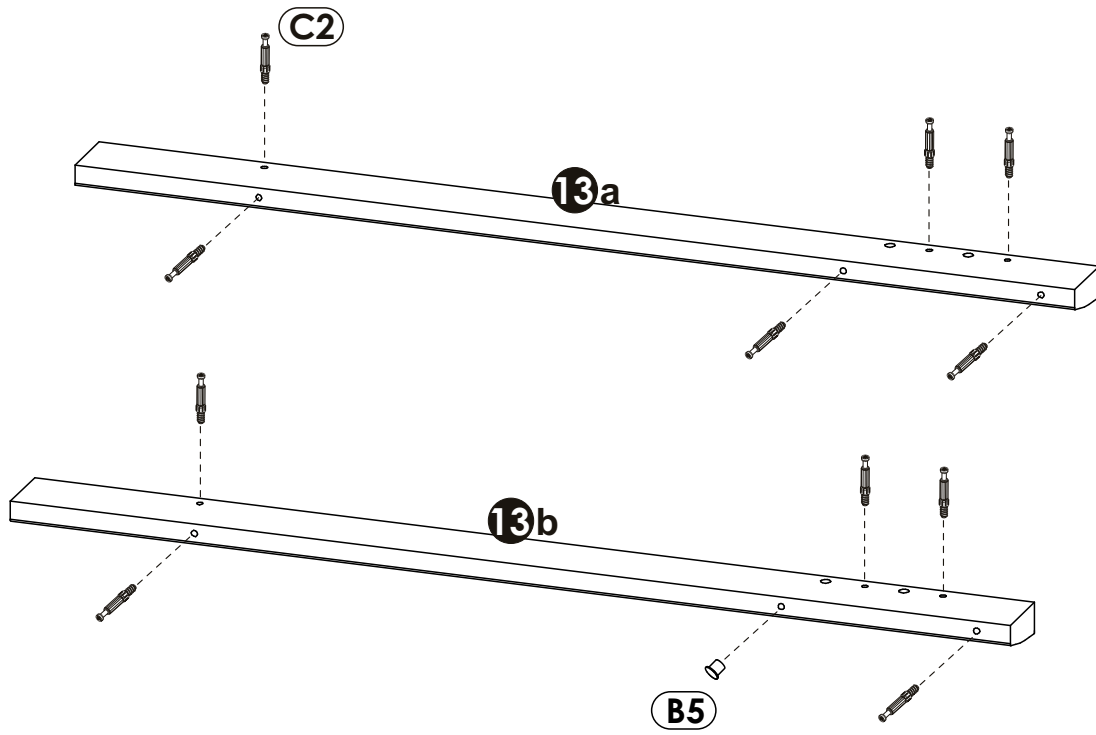
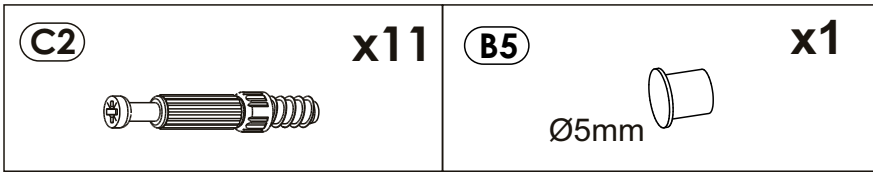
4 ▶



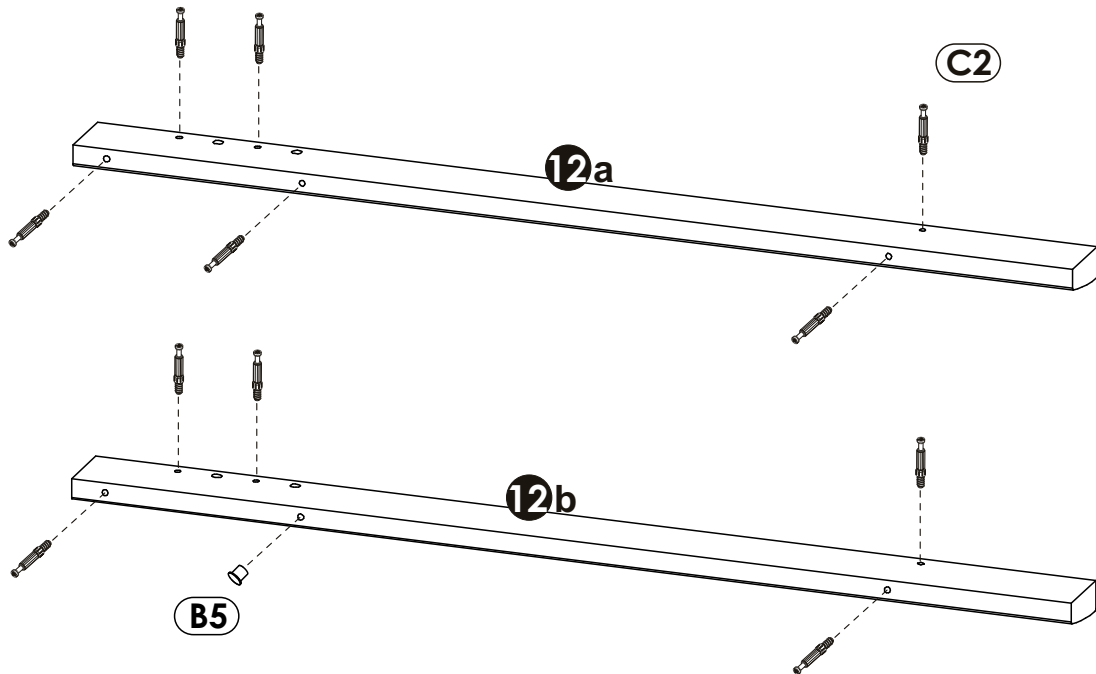
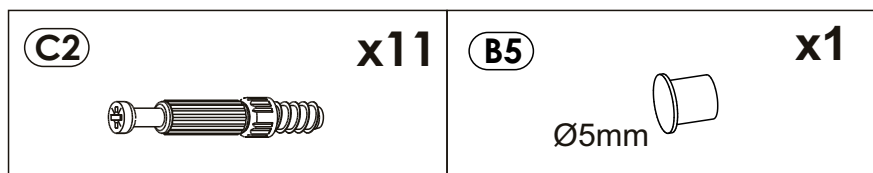
5 ▶




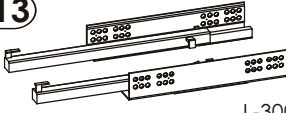
5 ▶

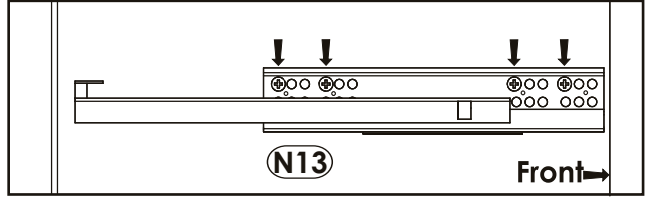
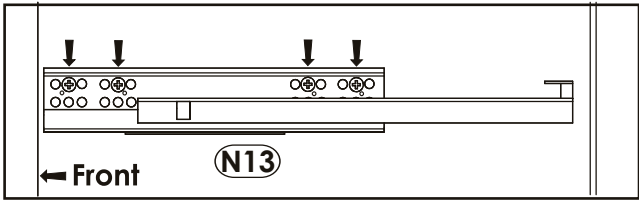
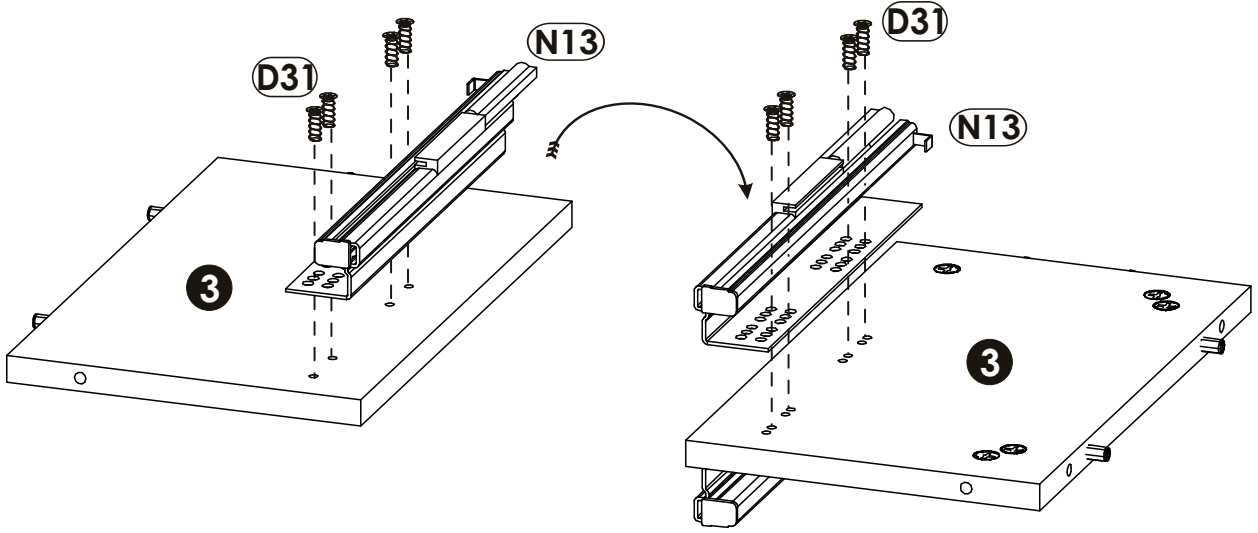


6 ▶


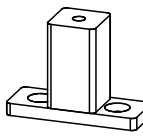


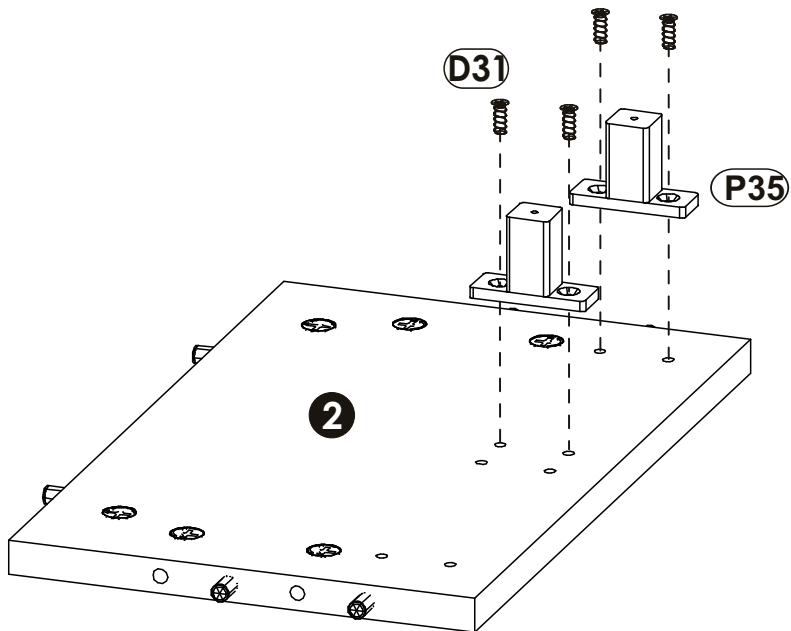
7 ▶

D31 6,3 x 13 mm x8 	N13  L-300mm x1
---	---

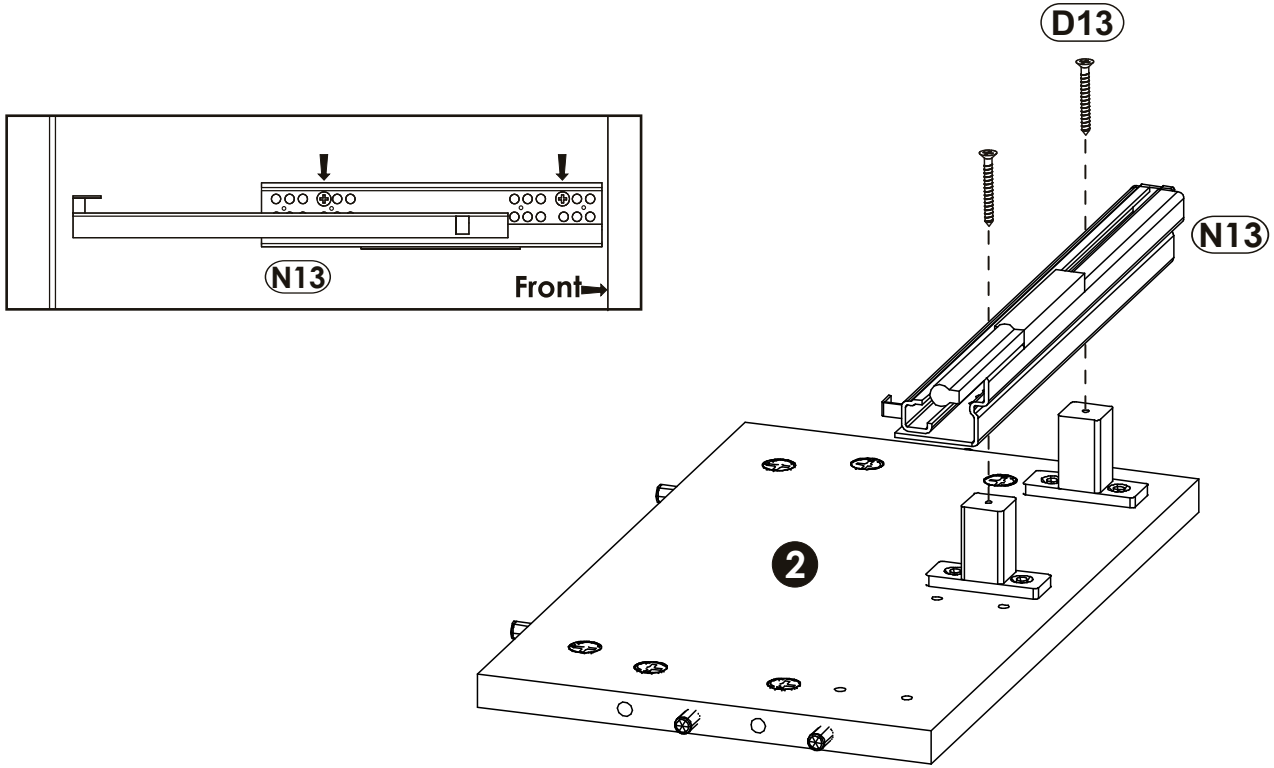
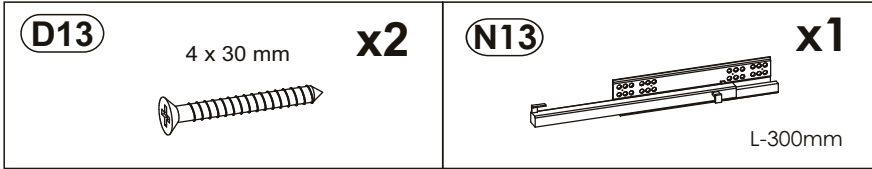


8 ▶

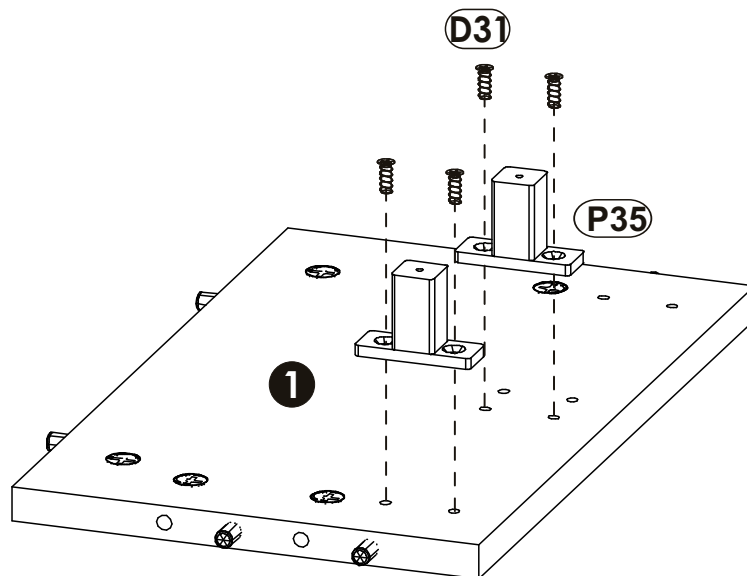
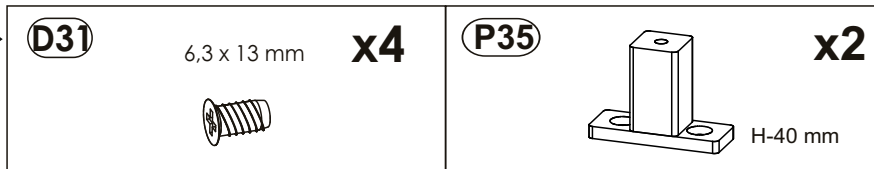
D31 6,3 x 13 mm x4 	P35  H-40 mm x2
---	---



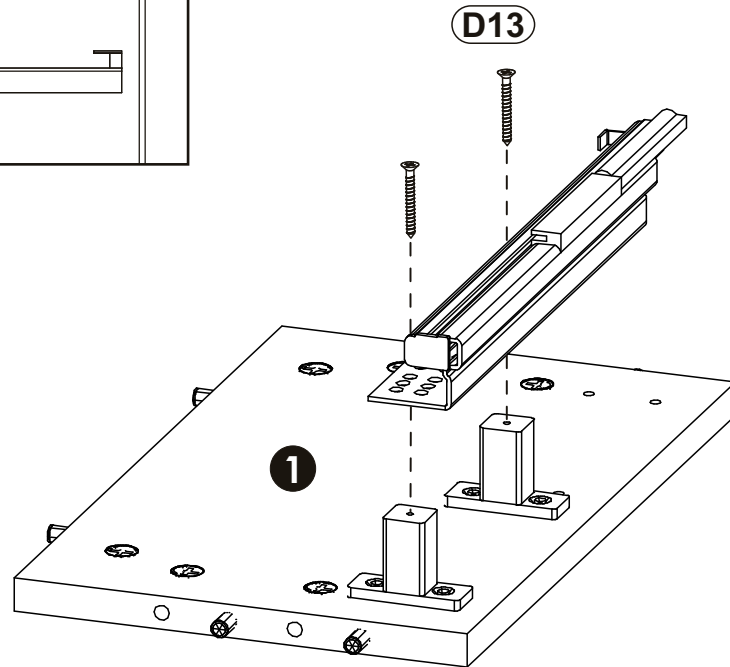
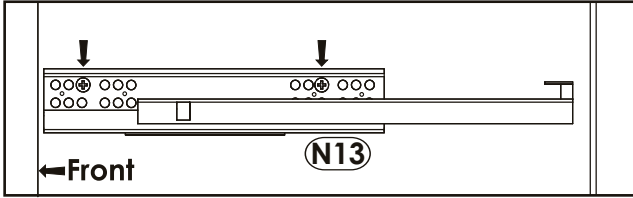
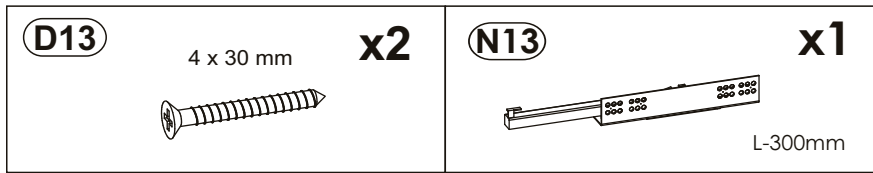
9 ▶



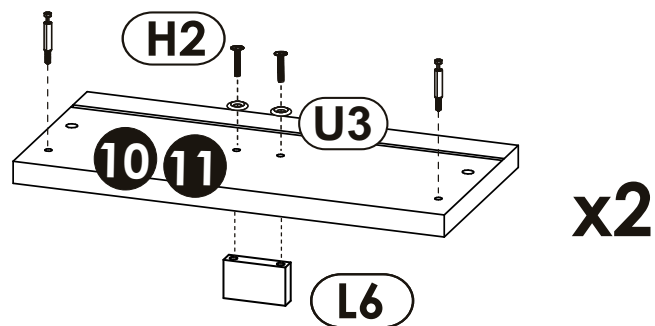
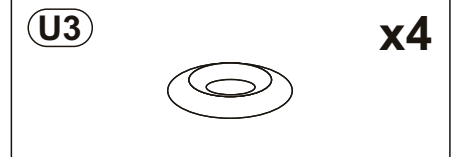
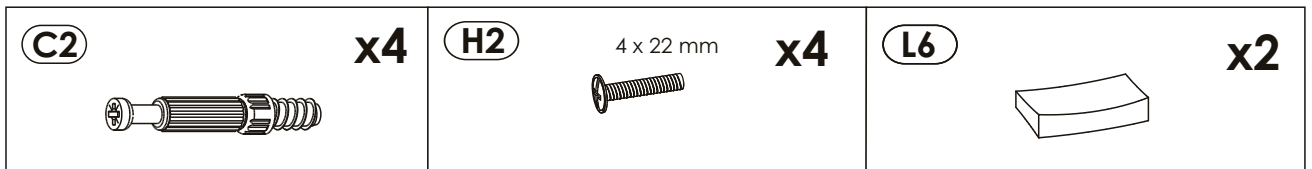
10 ▶



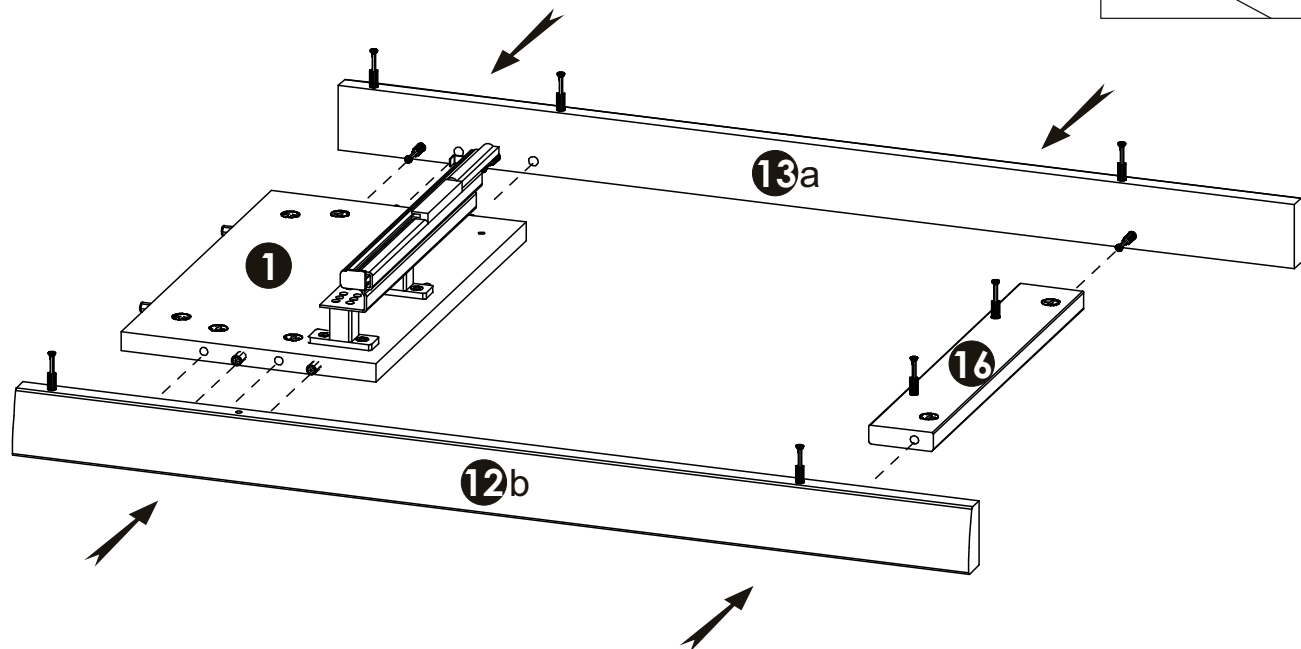
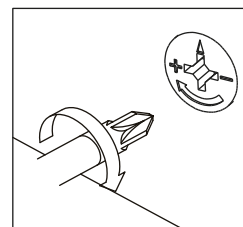
11▶



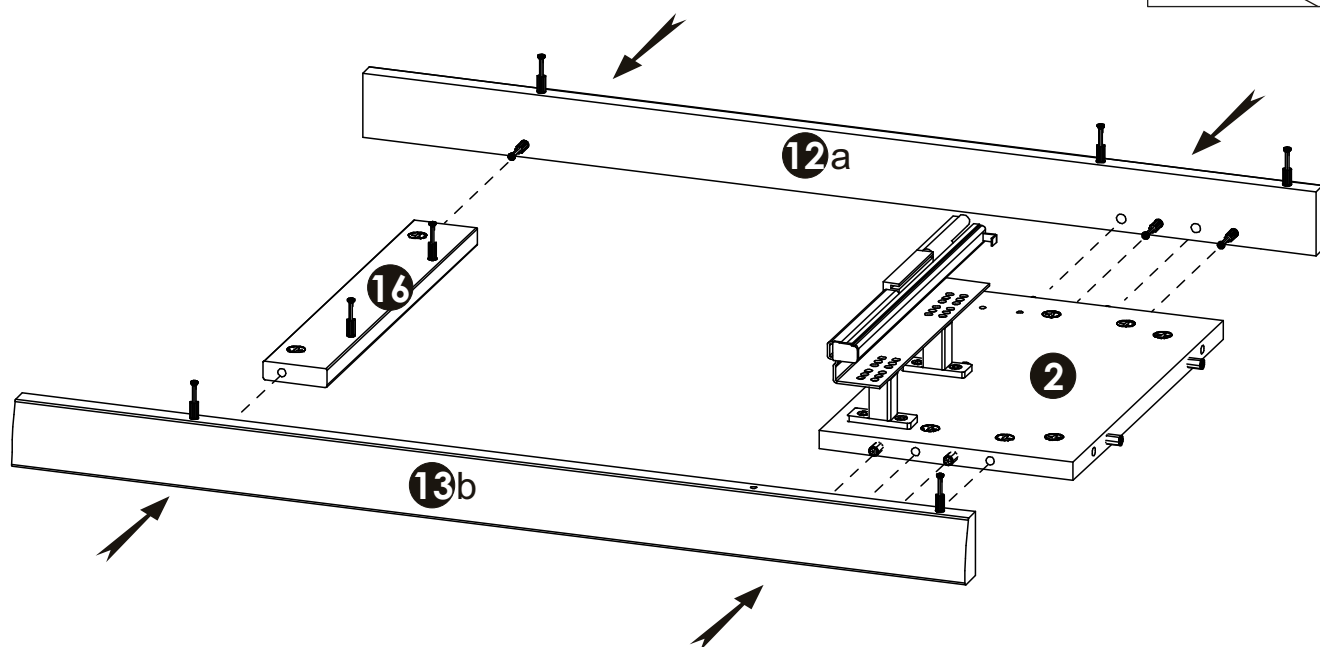
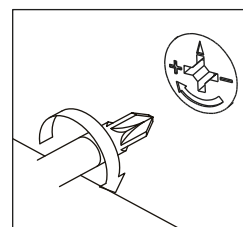
12▶



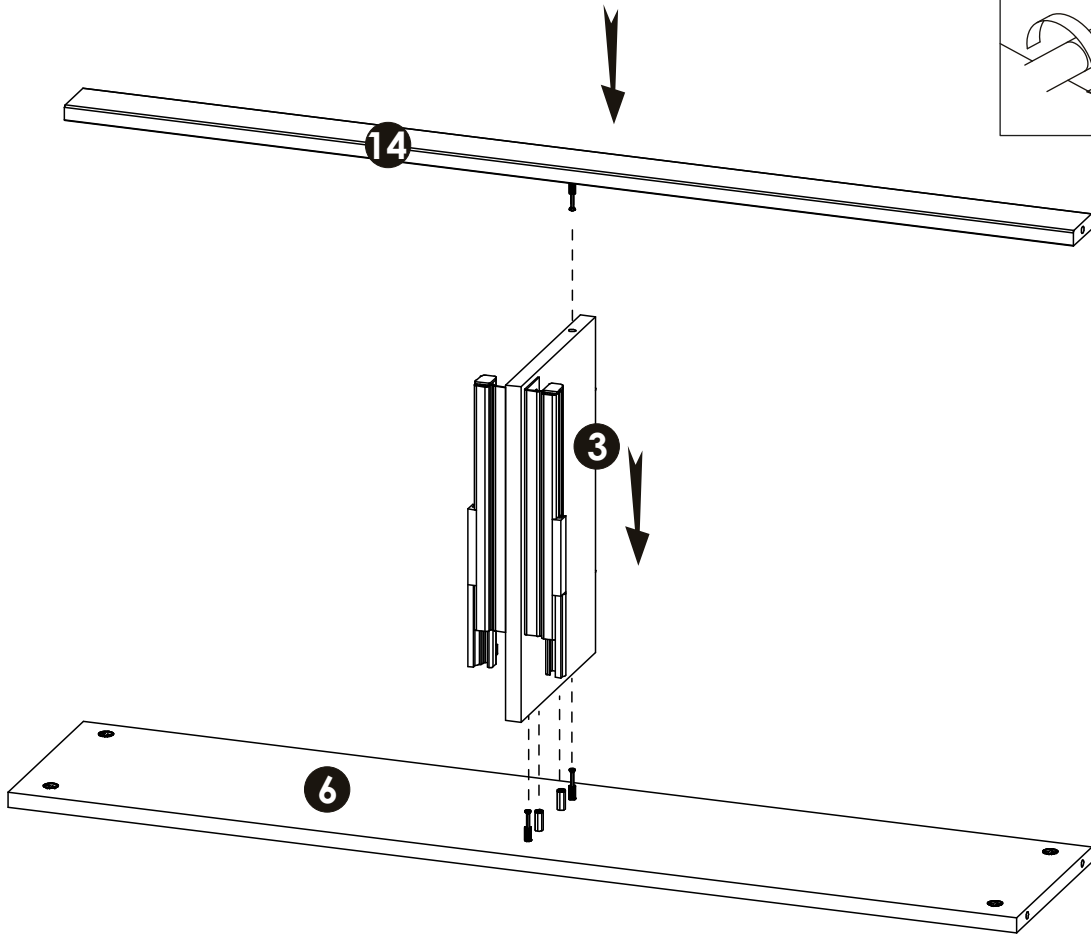
13▶



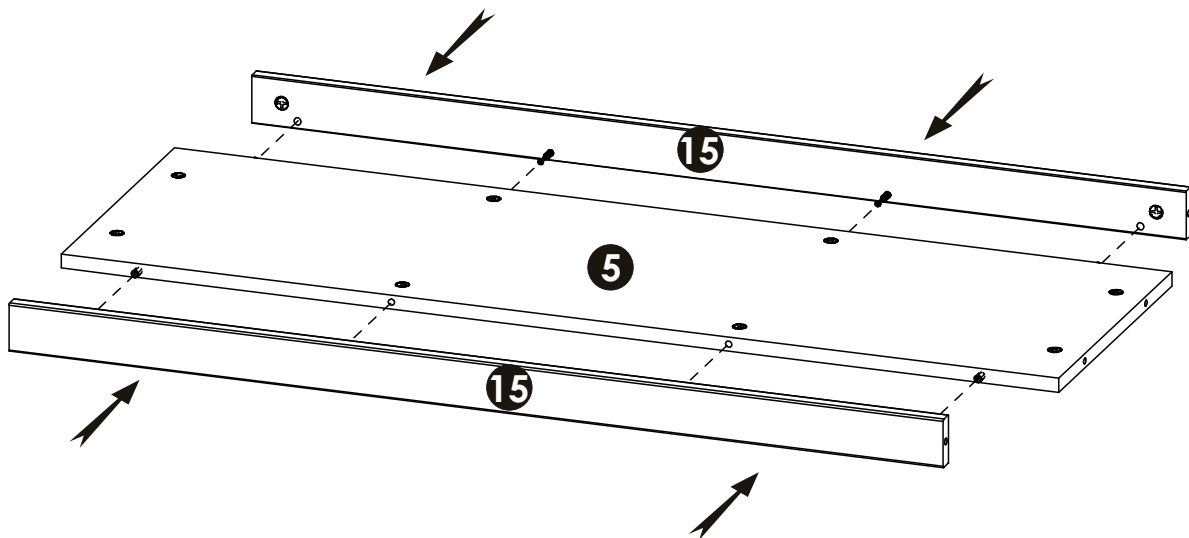
14▶



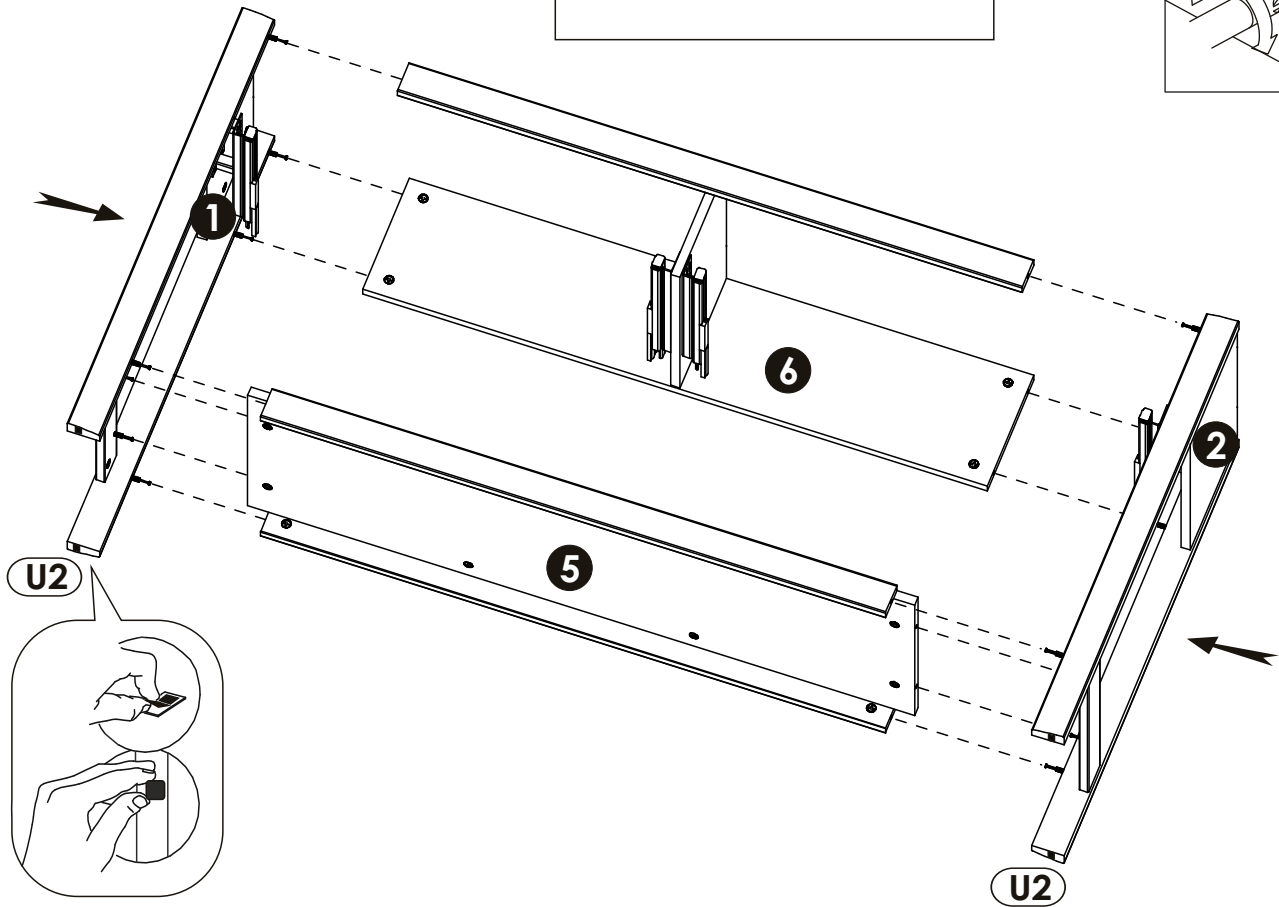
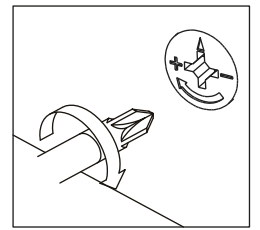
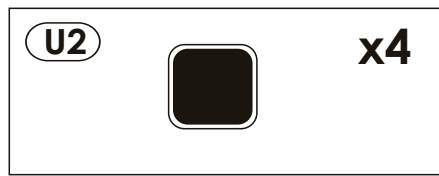
15▶



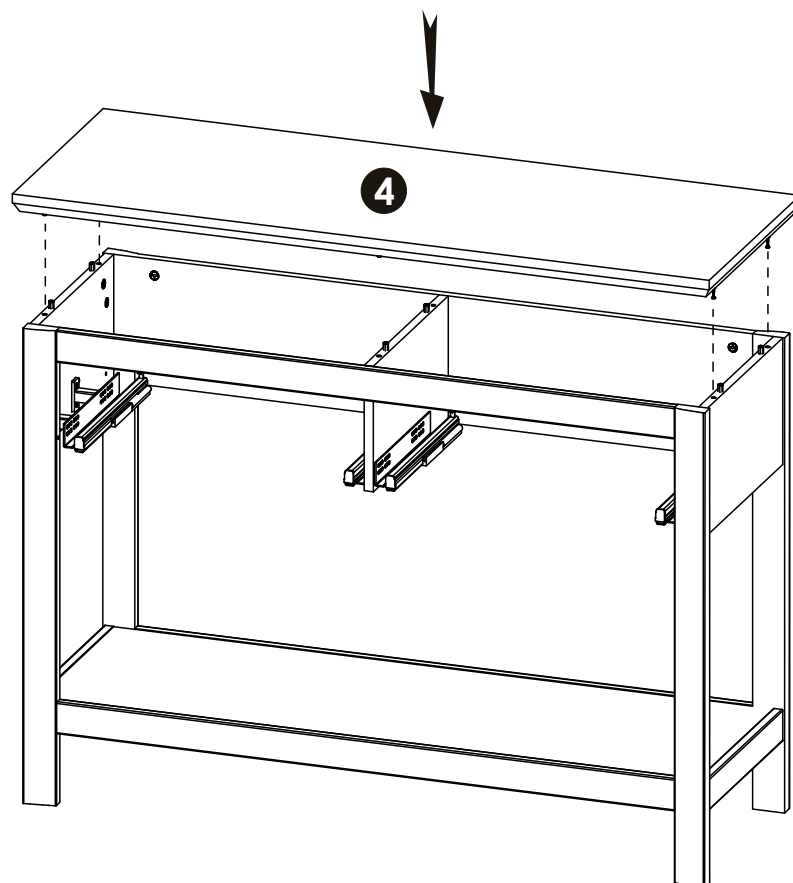
16▶




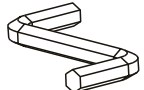
17▶

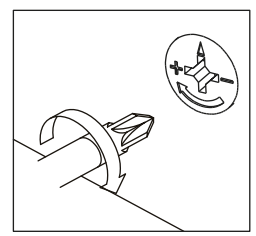
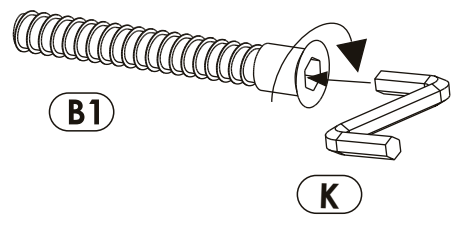
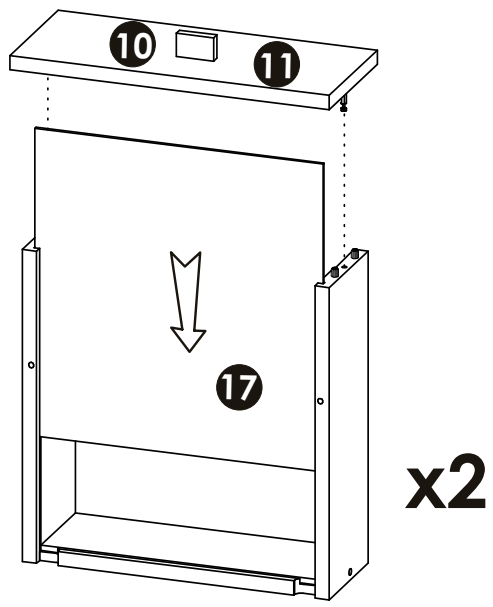
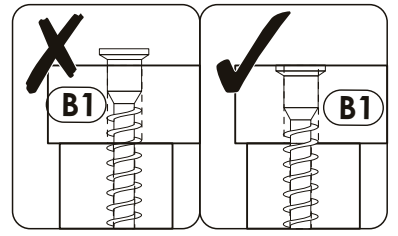
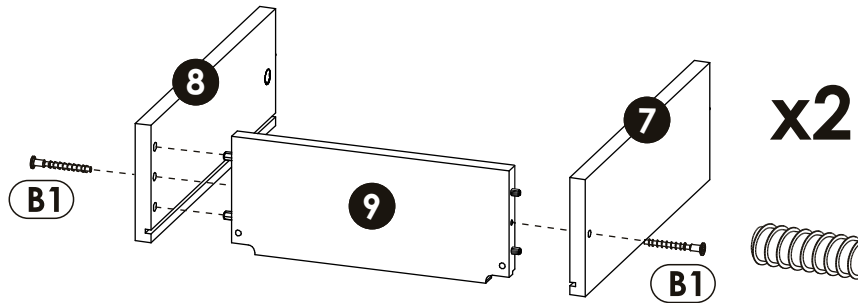


18▶





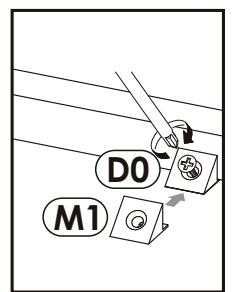
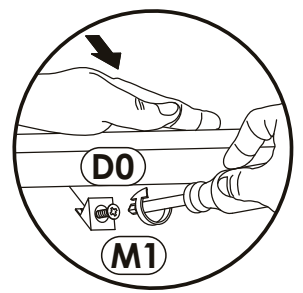
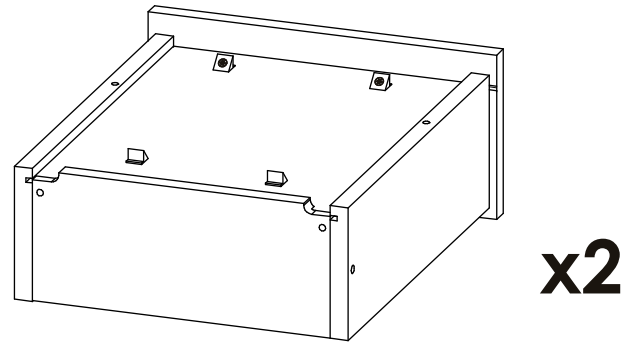
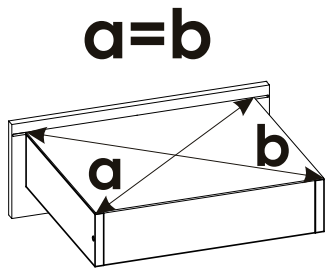
19▶

<p>(B1) f 7 x 50 mm x4</p> 	<p>(K) x1</p> <p>4mm</p> 
--	--



20▶

<p>(D0) 3 x 15 mm x8</p> 	<p>(M1) x8</p> 
--	--



21▶

