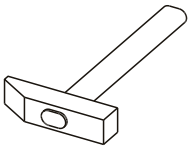
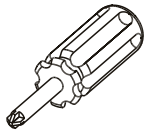
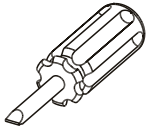
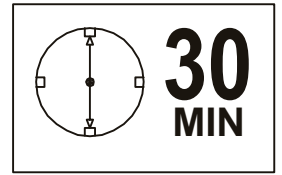
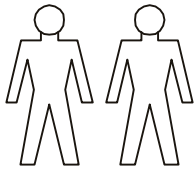


CAMRON - Kommode 2T2L

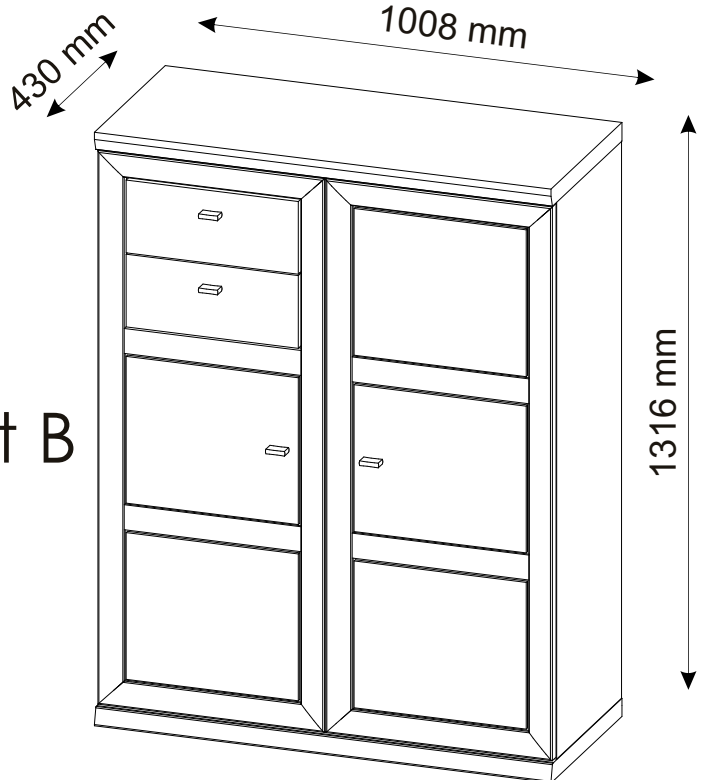
00030001/53



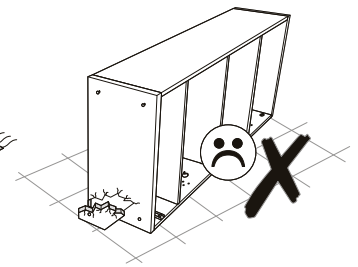
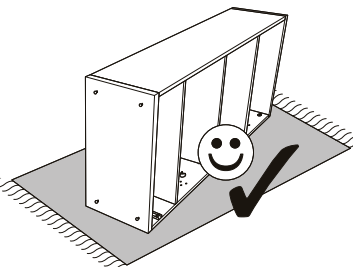
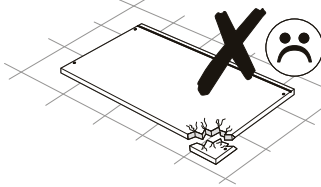
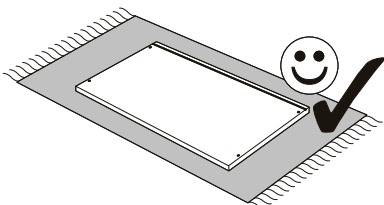
Ø8 Ø5


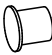
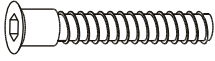

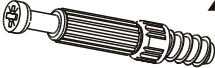




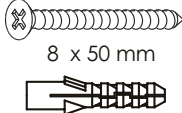


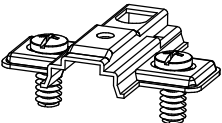
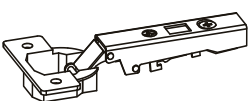


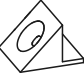
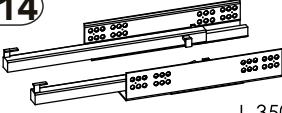
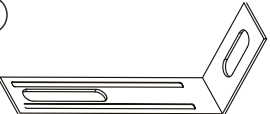
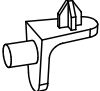
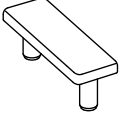
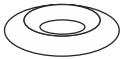


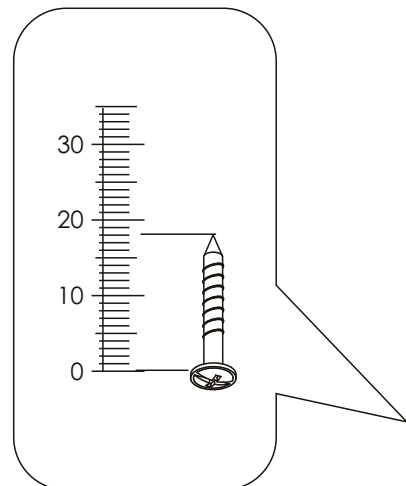
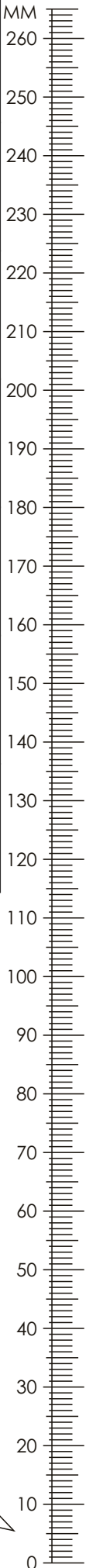
Variant A




Variant B

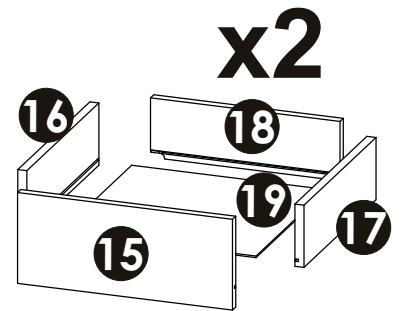
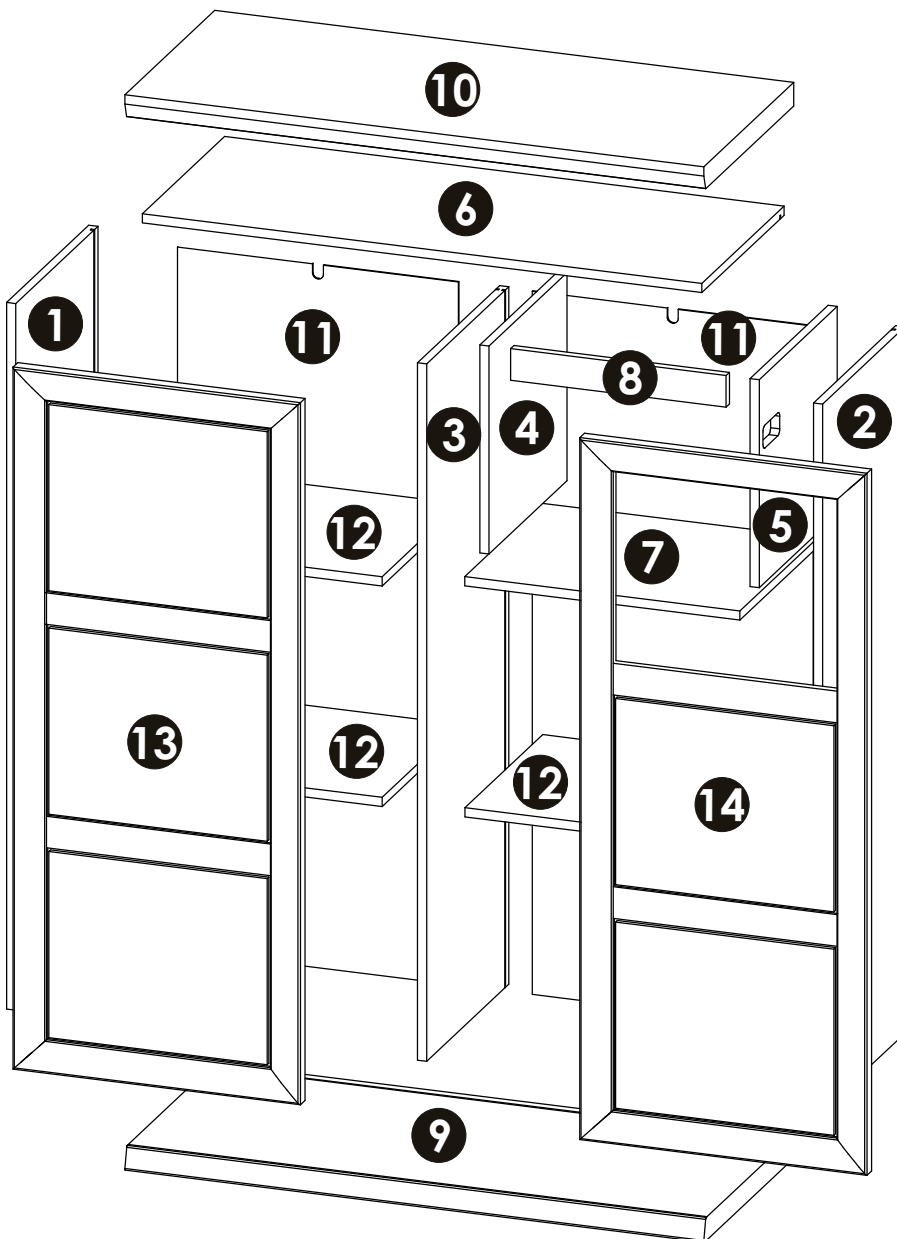
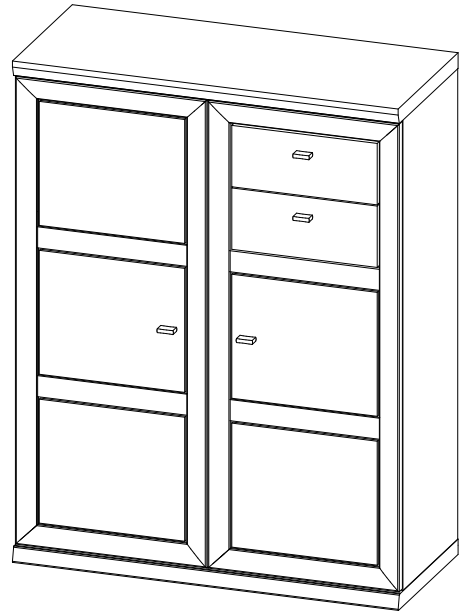


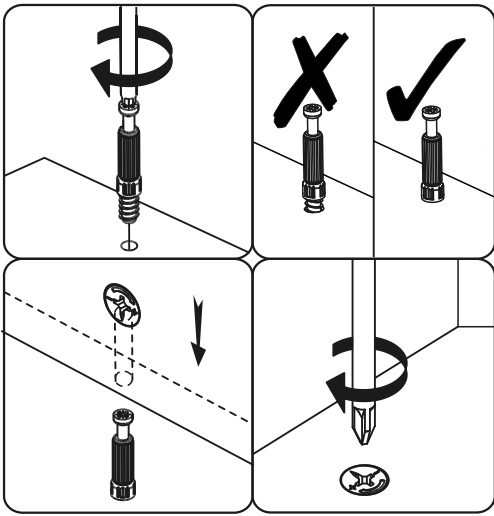
B1 f 7 x 50 mm x12 	B5 Ø5mm x2 	B6 f 7 x 38 mm x4 
C0 x10 	C2 x16 	D0 3x15mm x24 
D10 4x16mm x12 	D21 5x13mm x2 	D31 6.3x13mm x16 
E0 5 x 50 mm 8 x 50 mm x2 	H2 4x22mm x8 	J0 Ø35mm x3 
J3 x6 	J10 x6 	K 4mm x1 
L6 x4 	M1 x24 	N14 L-350mm x2 
P0 x2 	Q3 x12 	T4 x6 
U3 x8 		



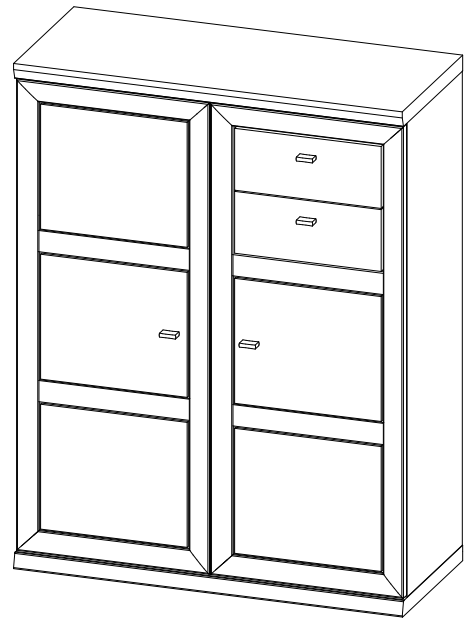
1	1230	393	16	x1	1/4
2	1230	393	16	x1	1/4
3	1214	393	16	x1	2/4
4	362	362	16	x1	2/4
5	362	362	16	x1	2/4
6	974	393	16	x1	1/4
7	479	362	16	x1	2/4
8	375	55	16	x1	2/4
9	1008	430	40	x1	3/4
10	1008	430	41	x1	3/4

11	1224	489	3	x2	4/4
12	479	372	16	x3	2/4
13	1222	500	25	x1	4/4
14	1222	500	25	x1	4/4
15	380	160.5	16	x2	2/4
16	350	110	16	x2	2/4
17	350	110	16	x2	2/4
18	335	108	16	x2	2/4
19	344	344	3	x2	2/4
					2/4

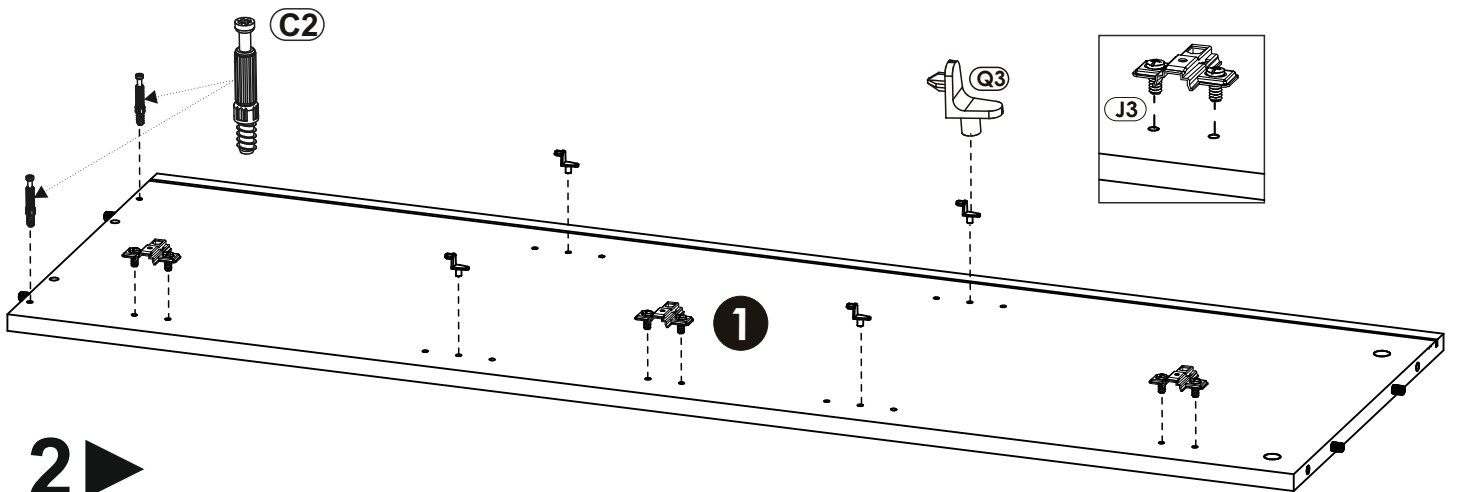
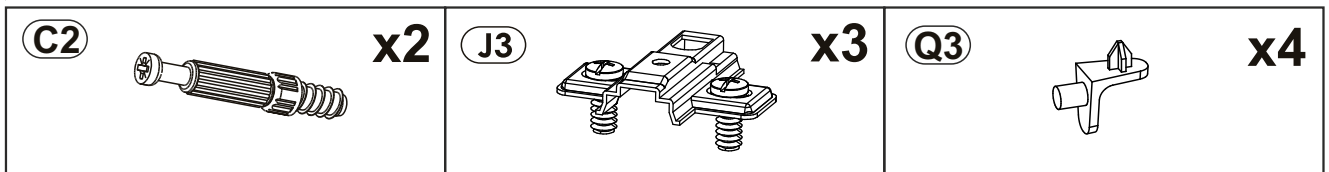




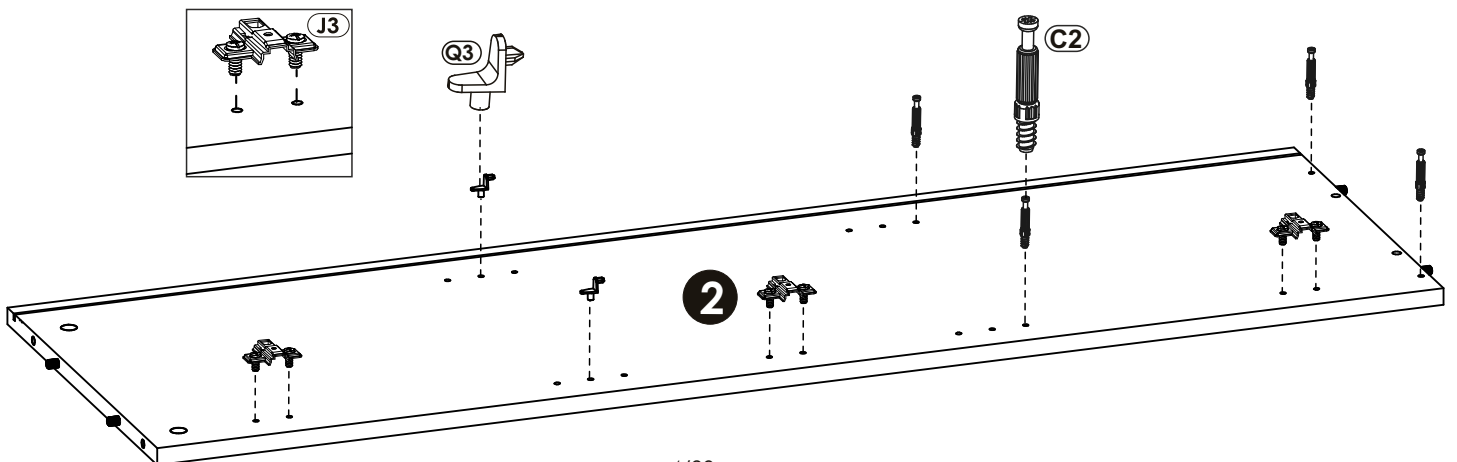
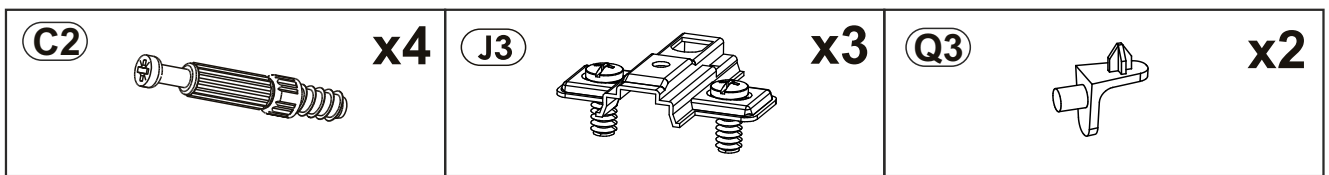
Variant A



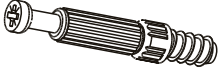
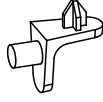
1 ▶

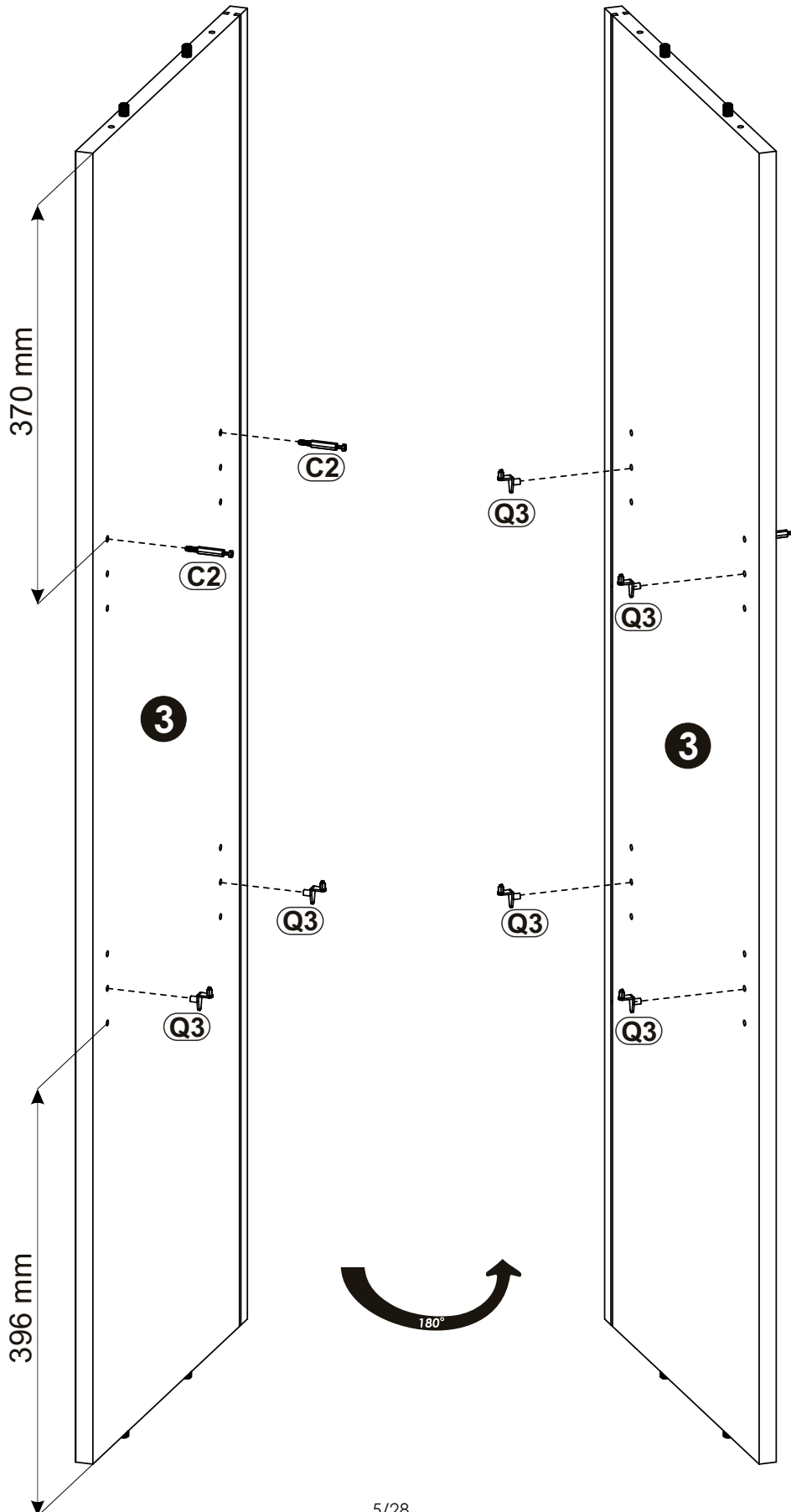


2 ▶


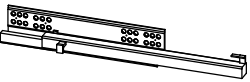


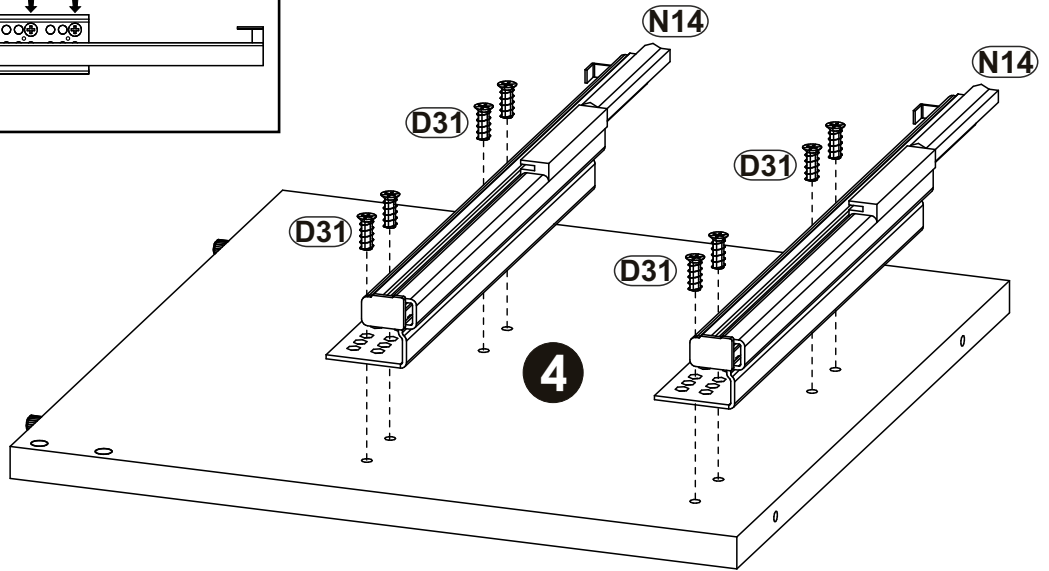
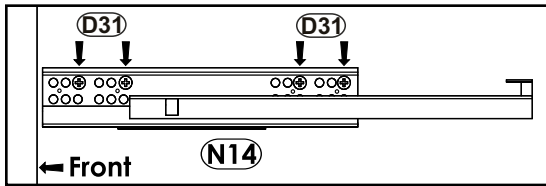
3 

C2 	x2	Q3 	x6
---	-----------	---	-----------


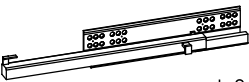


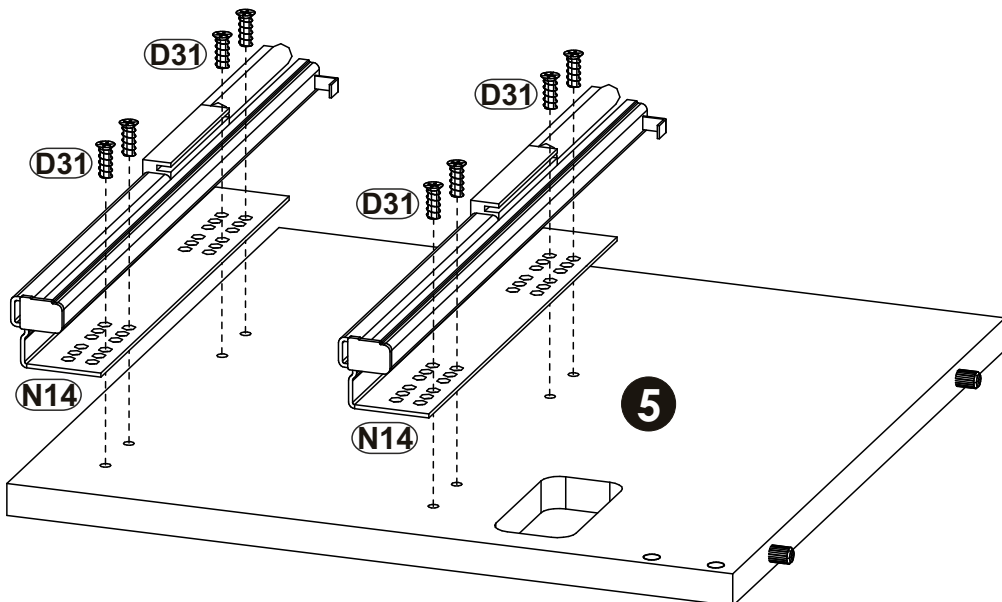
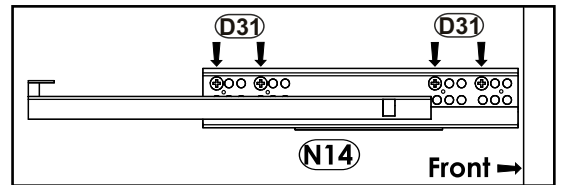
4

D31  6.3x13mm	x8	N14  L-350mm	x2
---	-----------	--	-----------

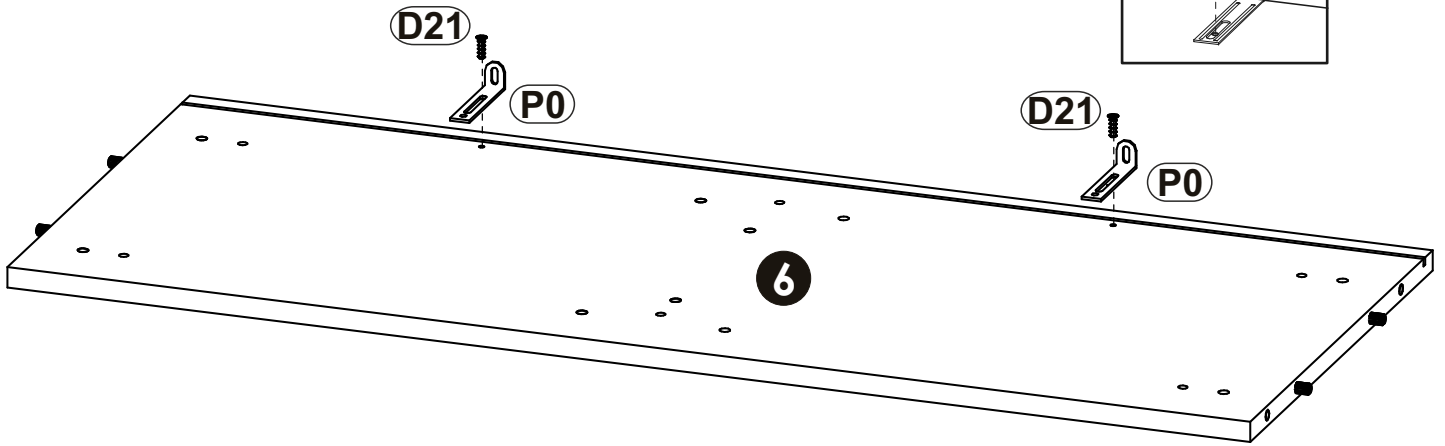
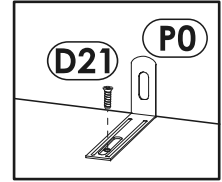
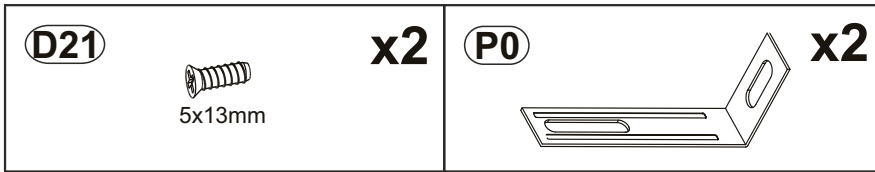


5

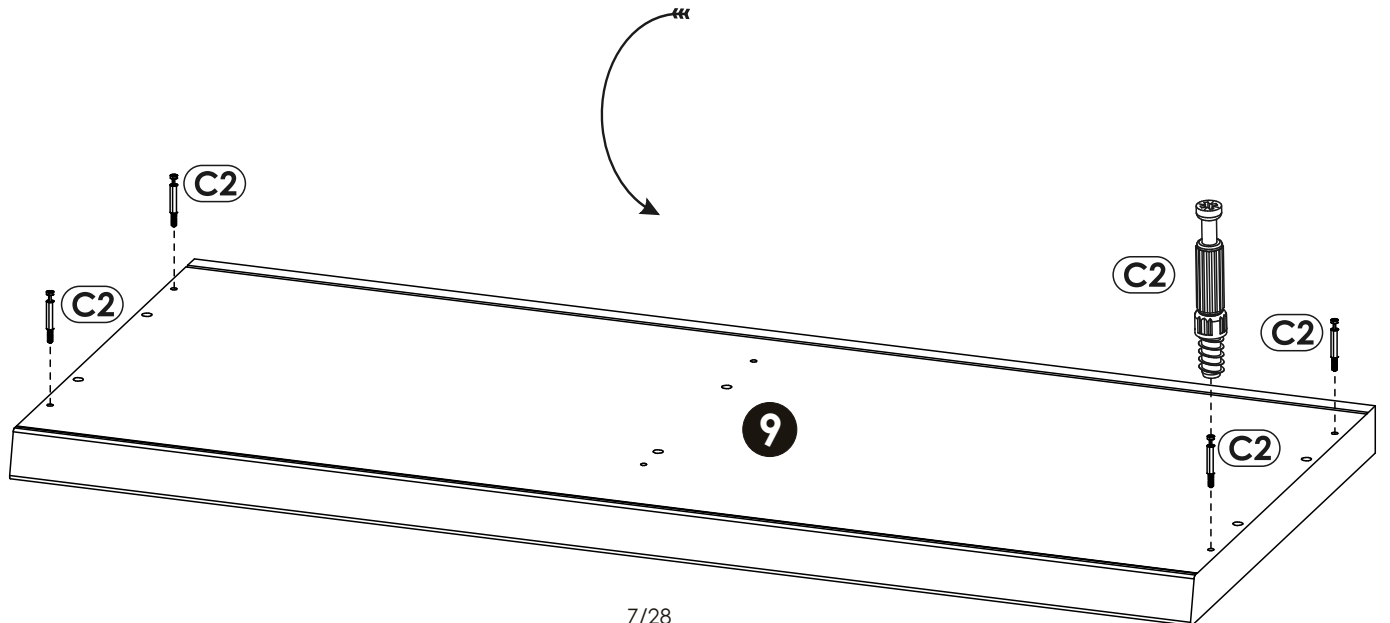
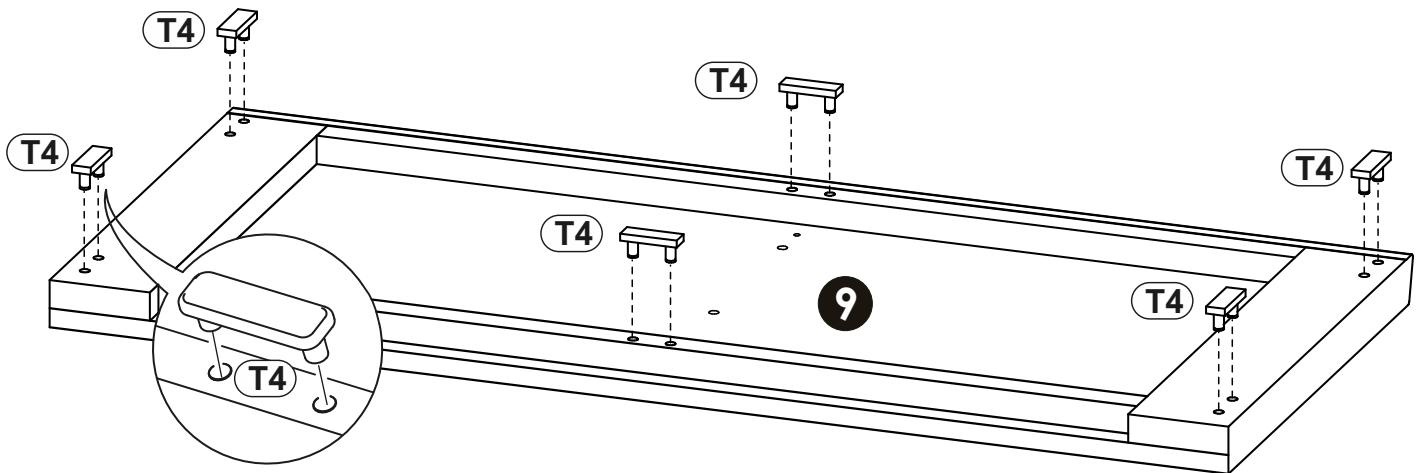
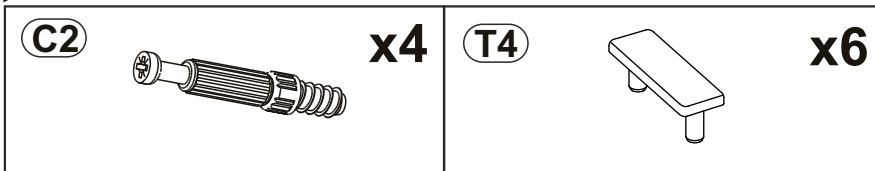
D31  6.3x13mm	x8	N14  L-350mm	x2
---	-----------	--	-----------



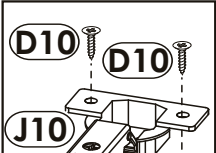
6 ▶

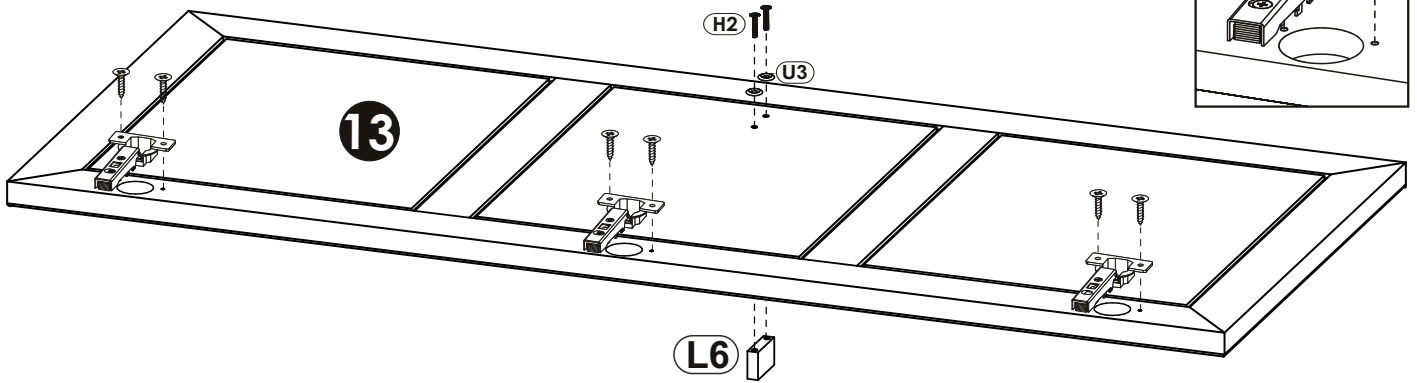


7 ▶



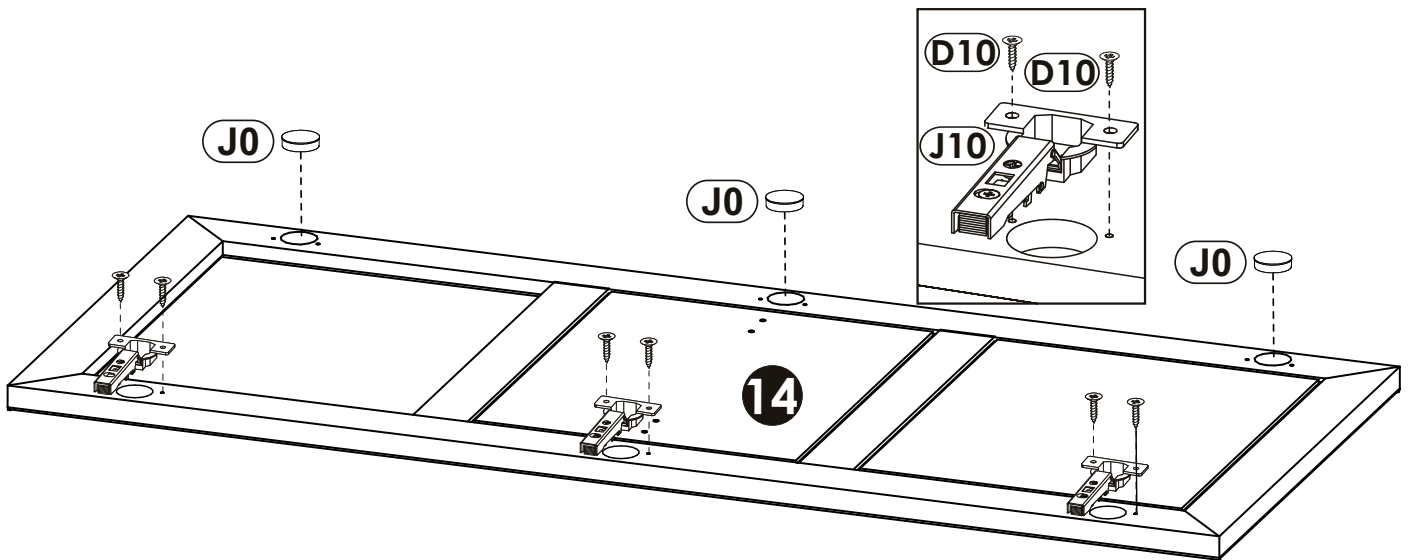
8 ▶

(D10) 4x16mm x6	(H2) 4x22mm x2	(J10) x3
(L6) x1	(U3) x2	

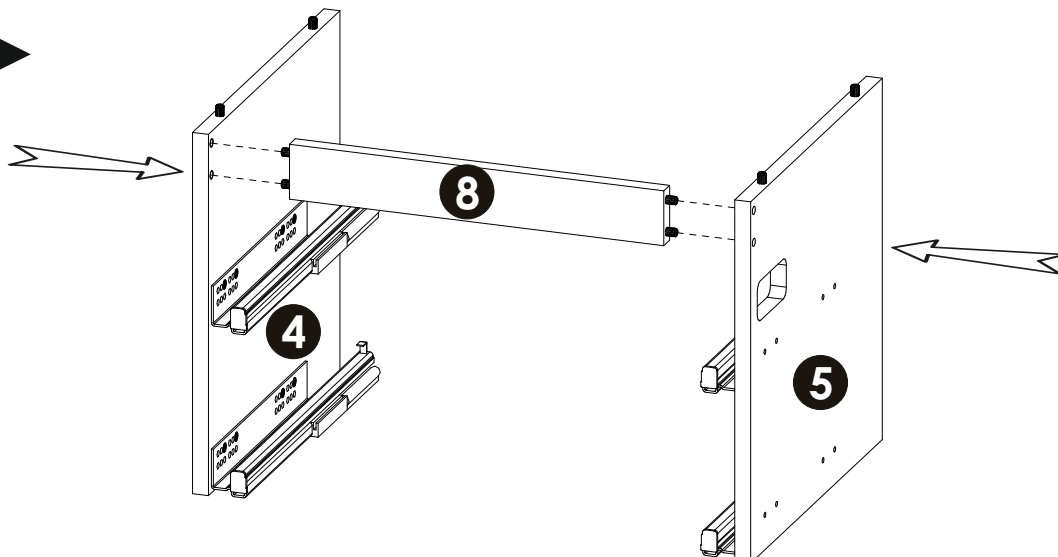


9 ▶

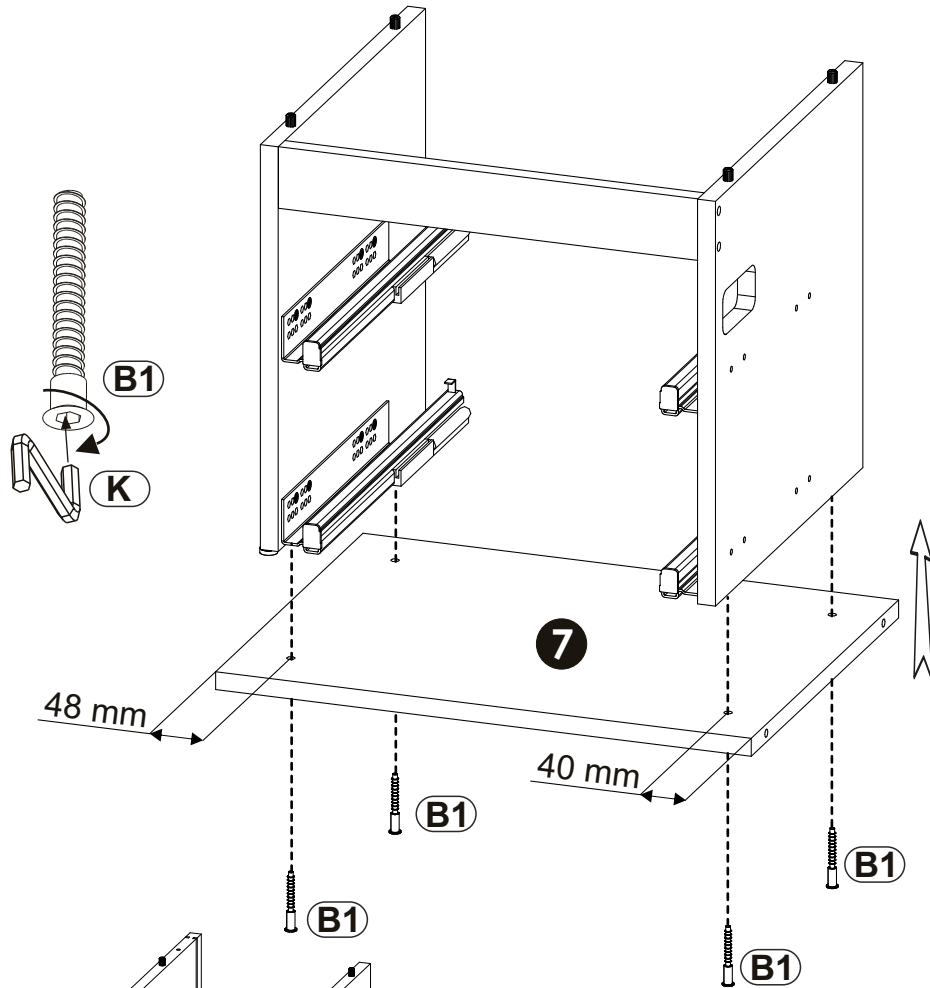
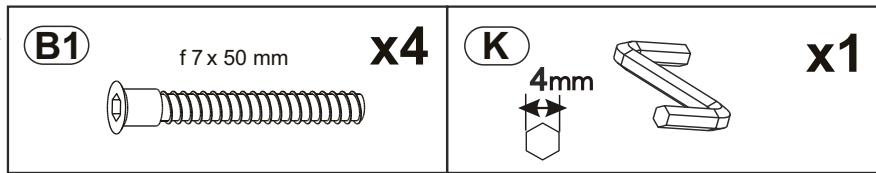
(D10) 4x16mm x6	(J0) Ø35mm x3	(J10) x3
------------------------------	----------------------------	--------------------



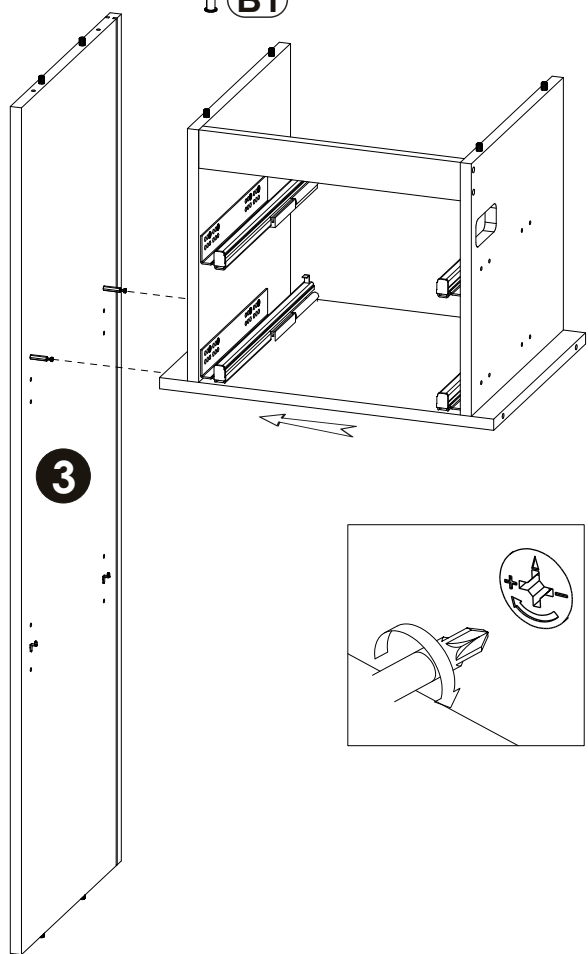
10 ▶



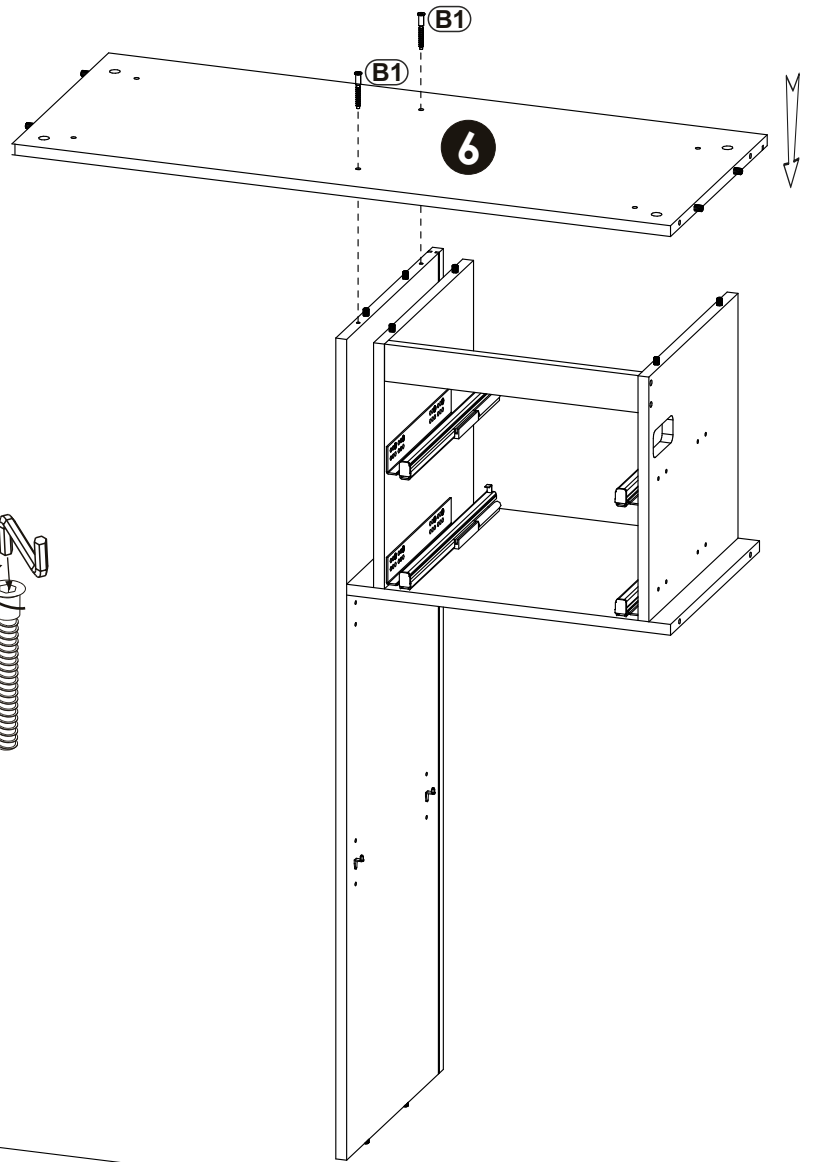
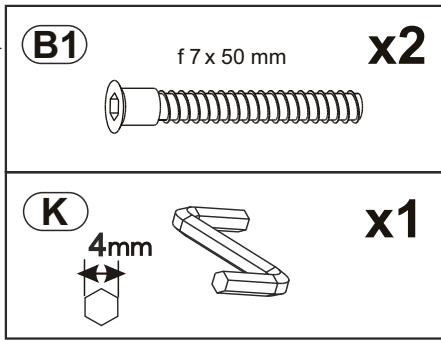
11 ▶



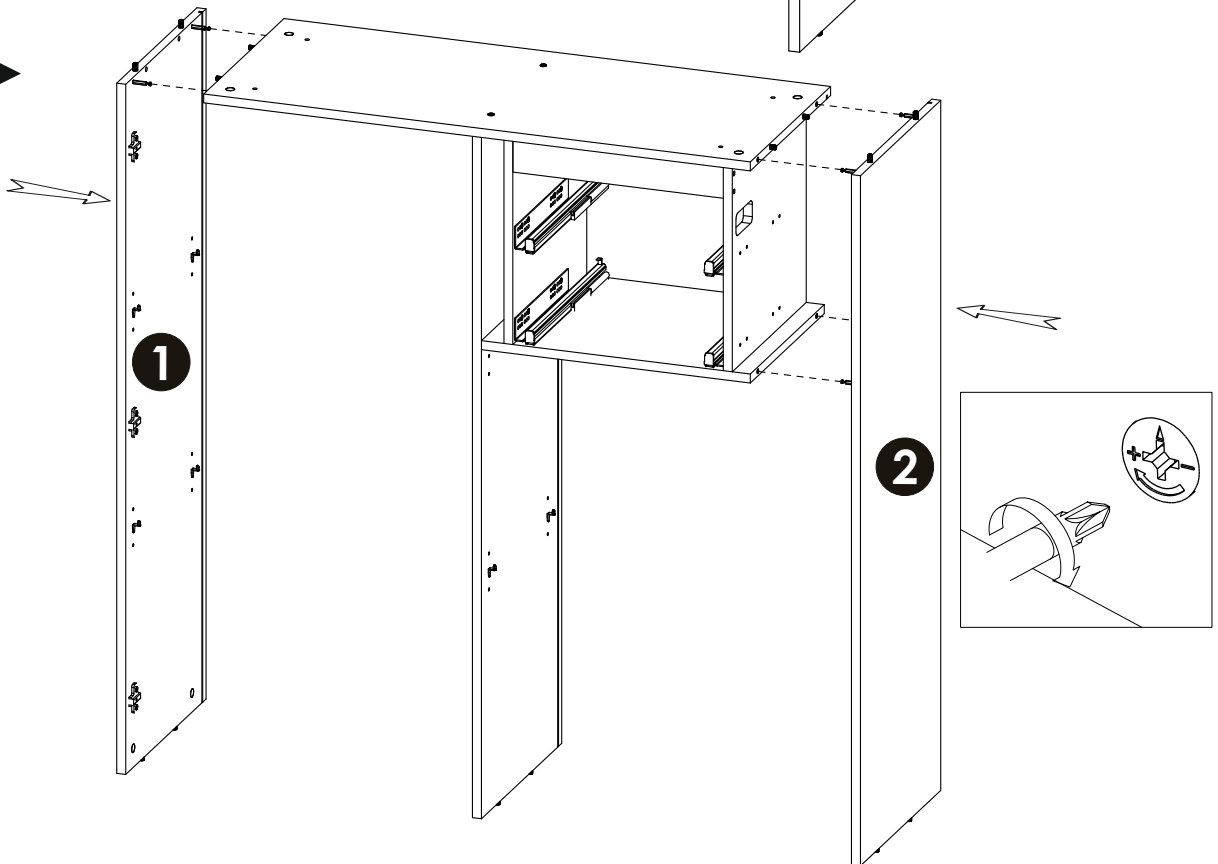
12 ▶



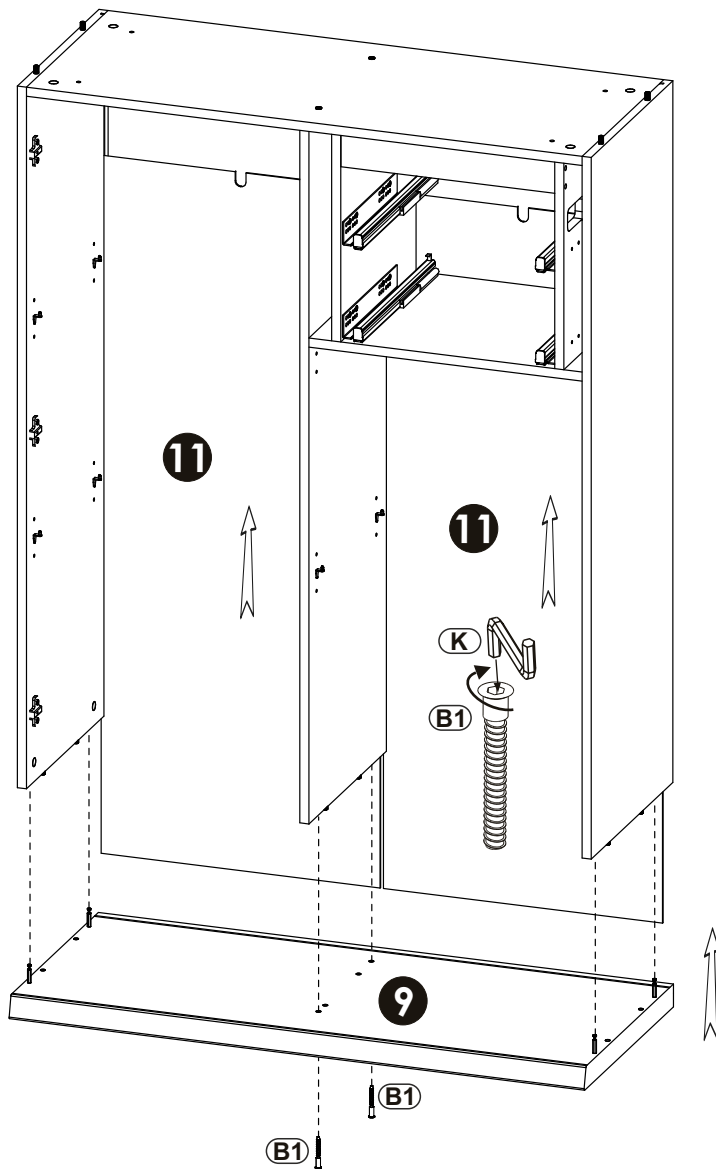
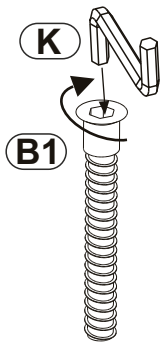
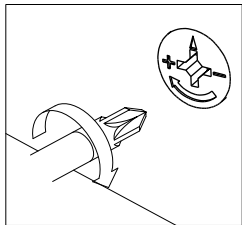
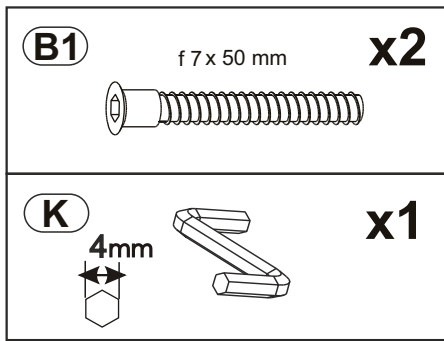
13 ▶



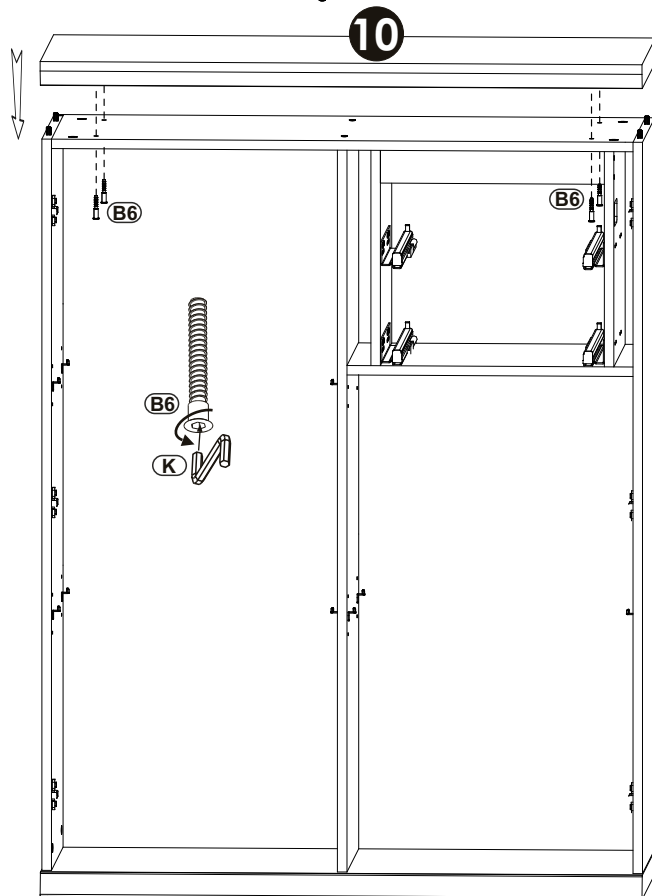
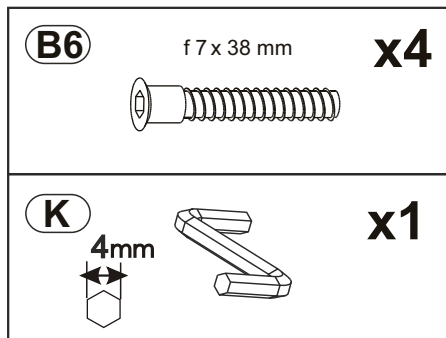
14 ▶





15 ▶

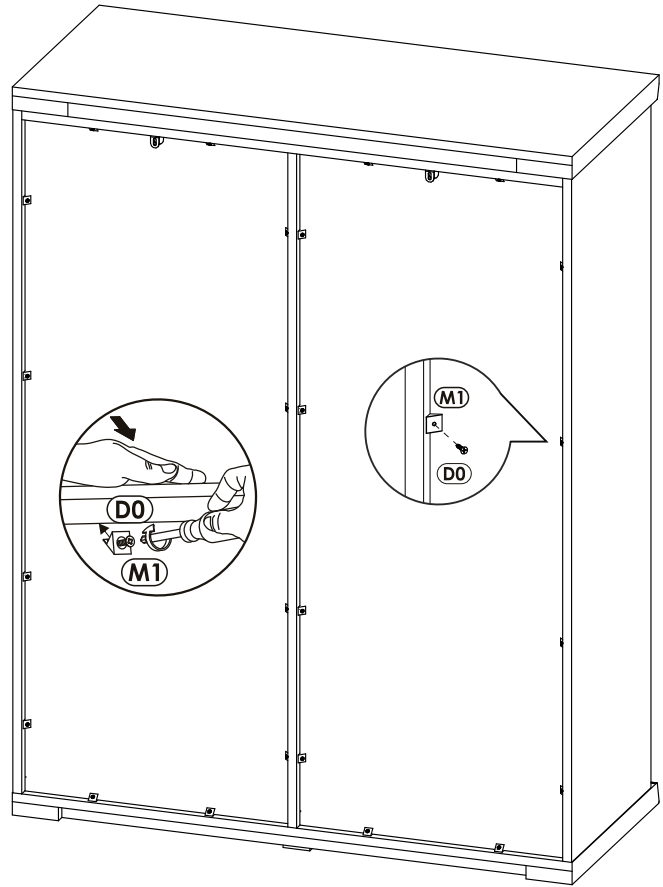
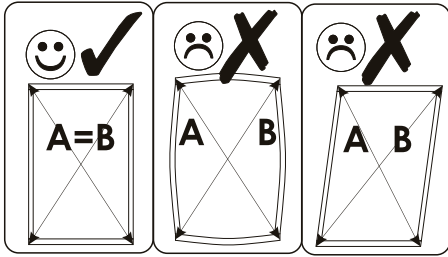


16 ▶

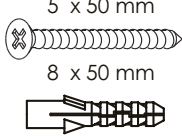


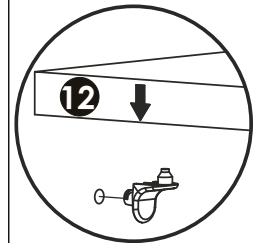
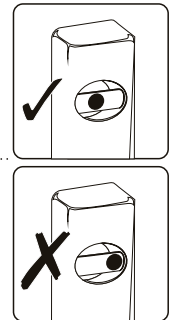
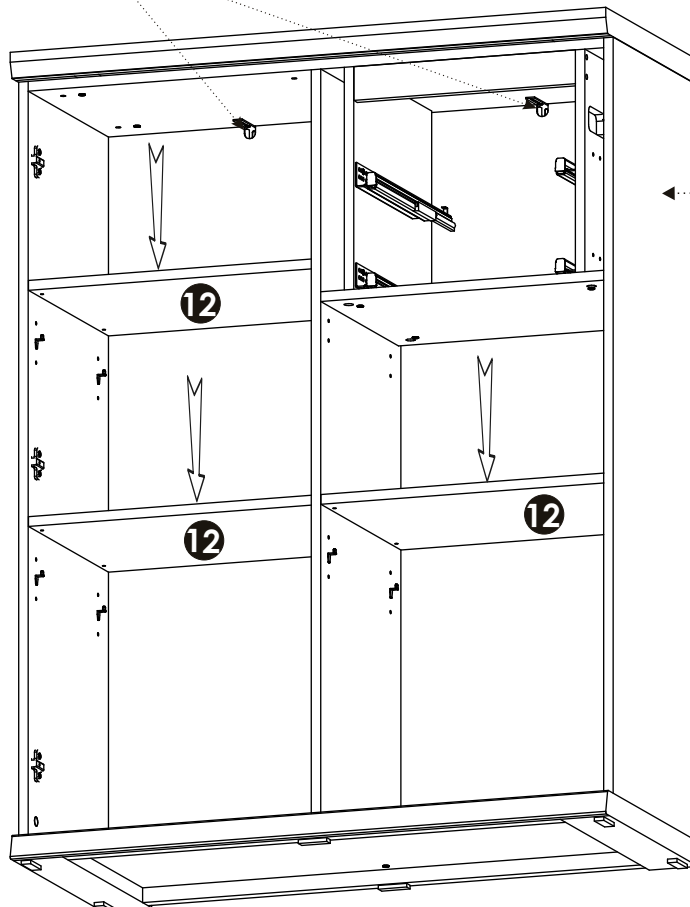
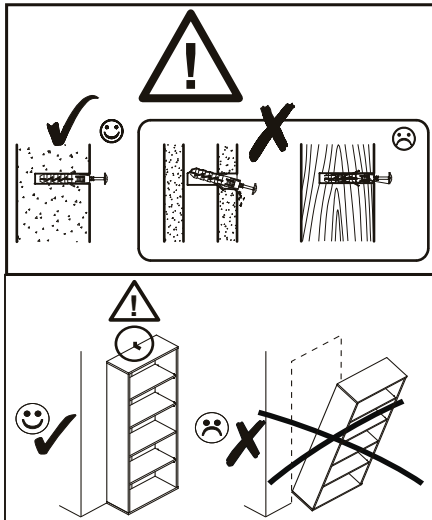
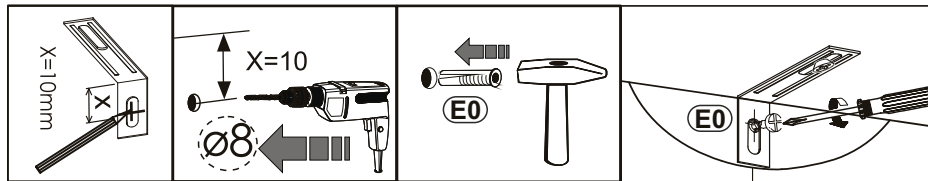
17 ▶

(D0)	 3x15mm	x24
(M1)		x24

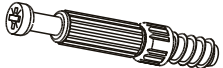


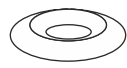


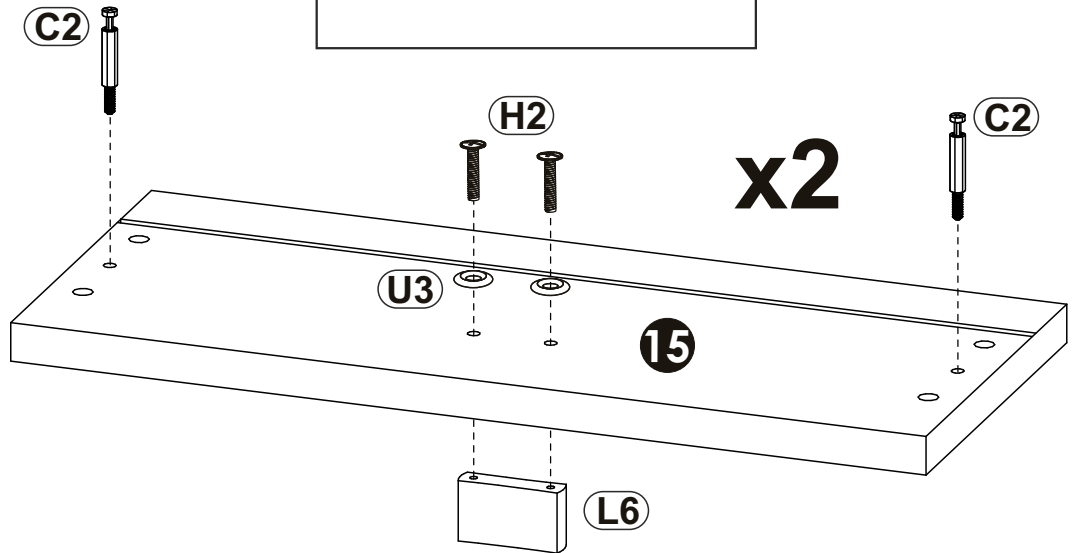
18 ▶

(E0)	 5 x 50 mm 8 x 50 mm	x2
-------------	---	-----------

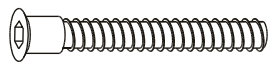


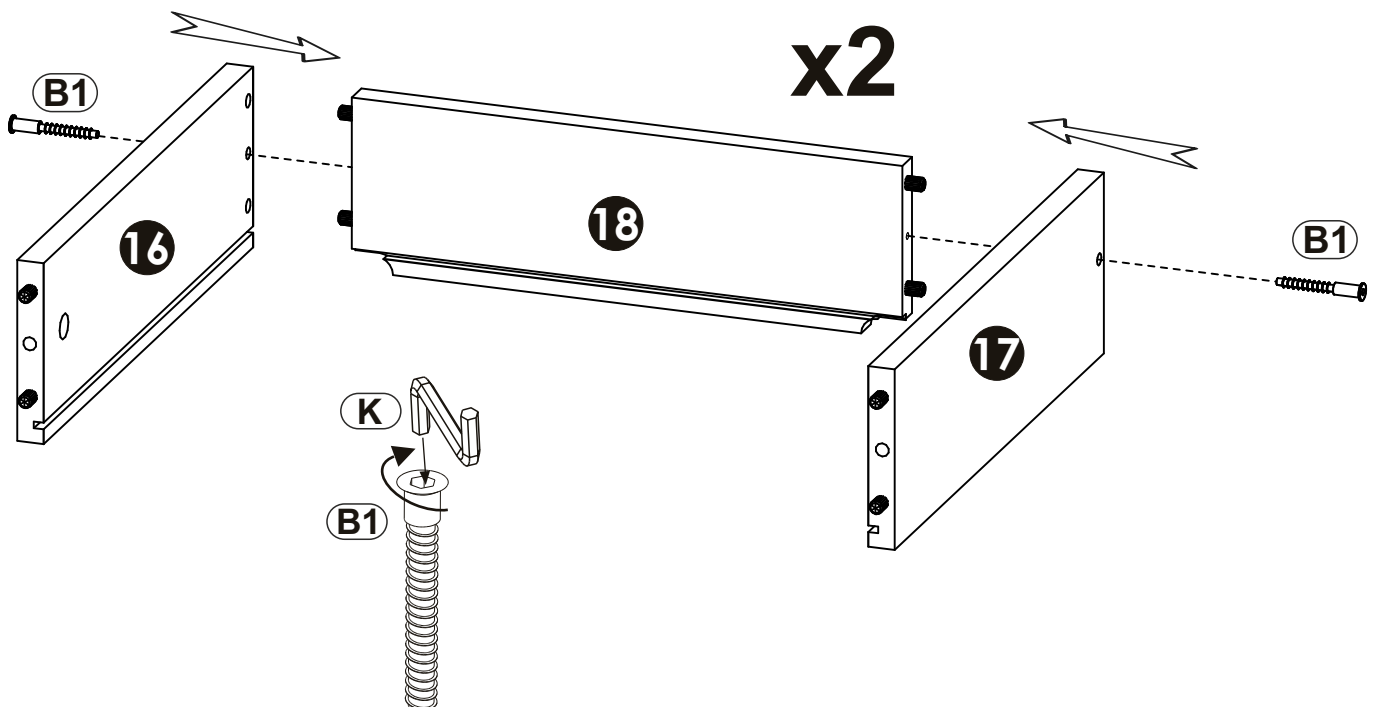
19

C2		x4	H2	 4x22mm	x4	L6		x2
			U3		x4			



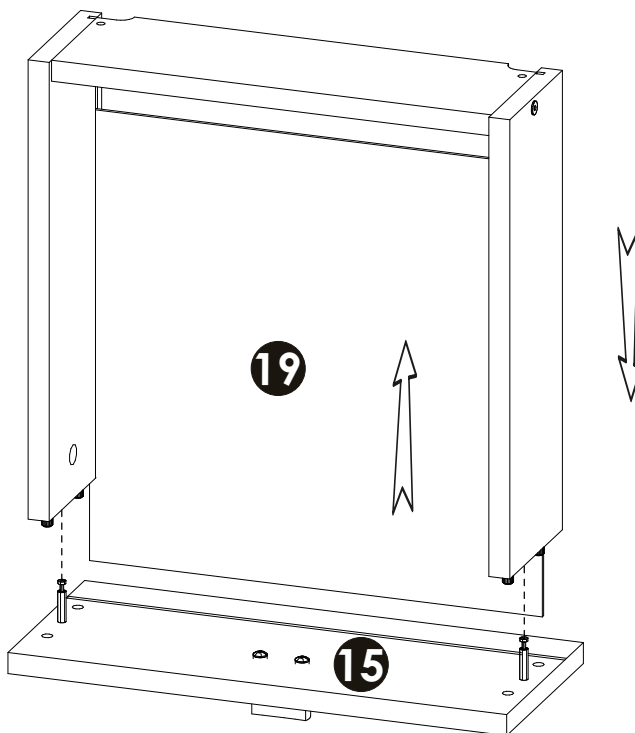
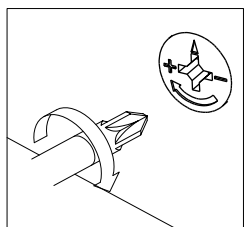
20

B1	 f 7 x 50 mm	x4
-----------	--	-----------

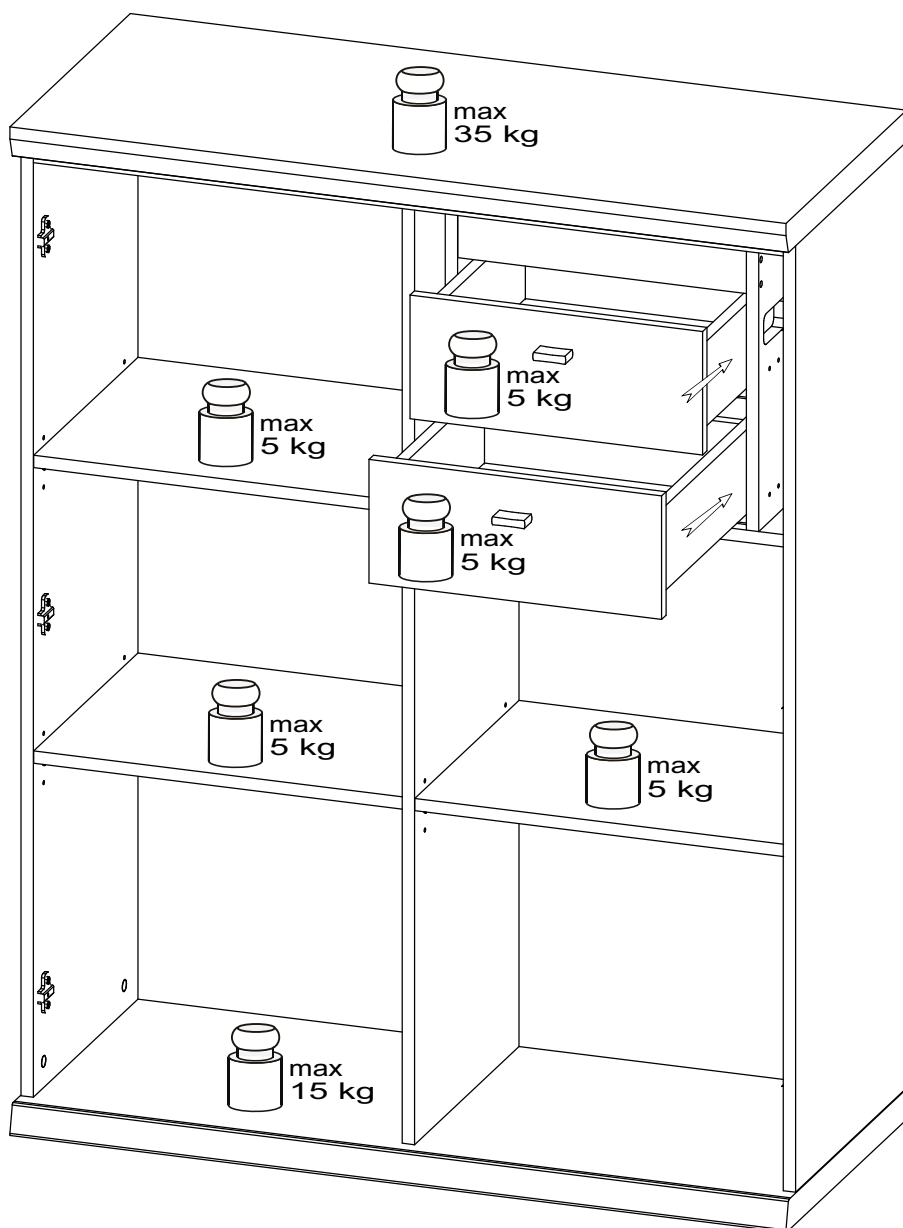
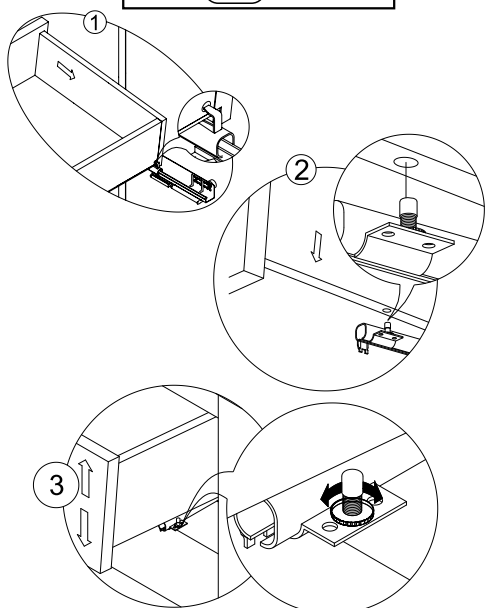
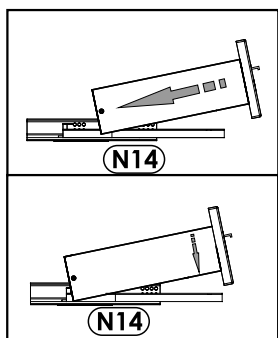


21 ▶

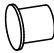




x2

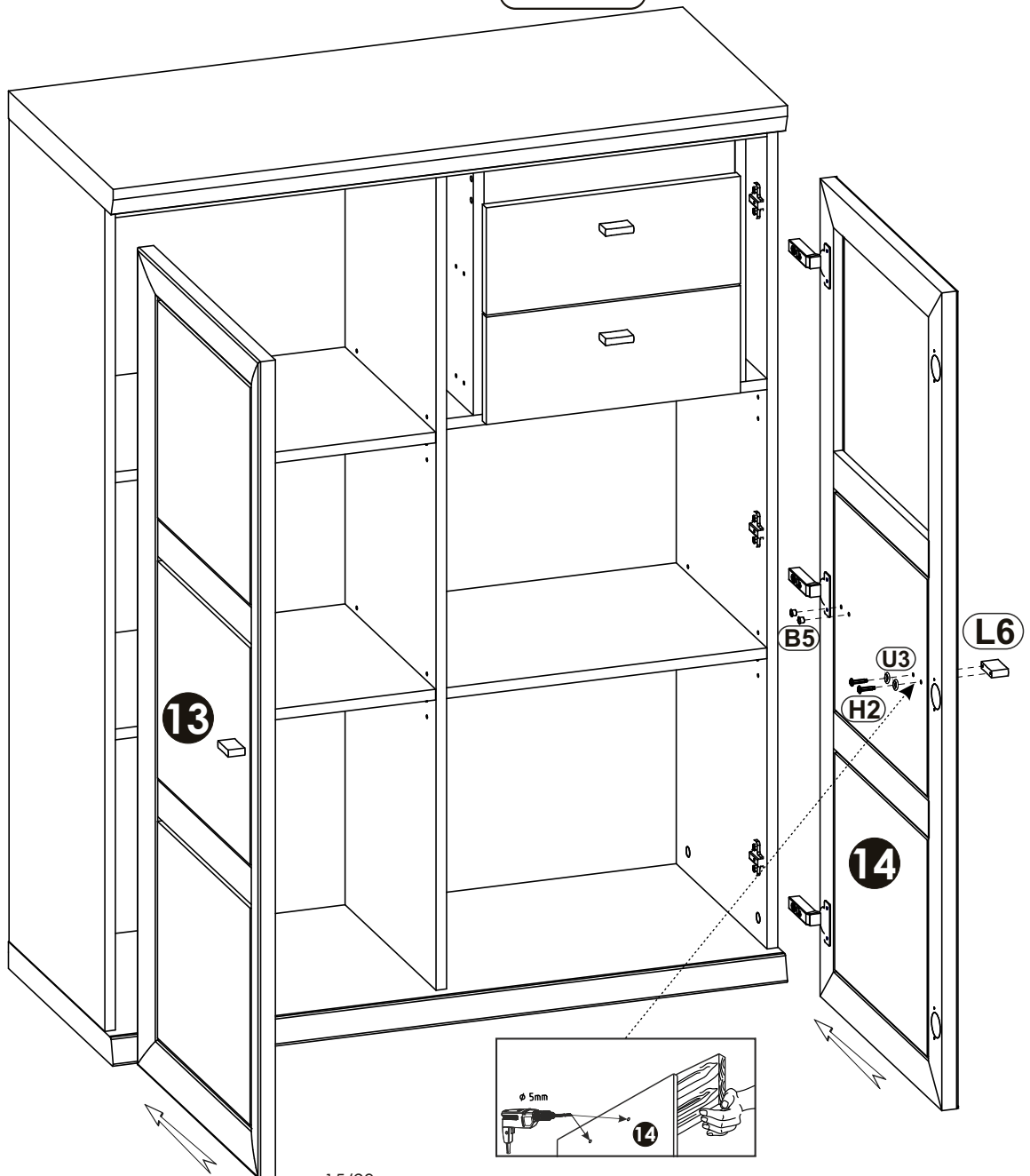
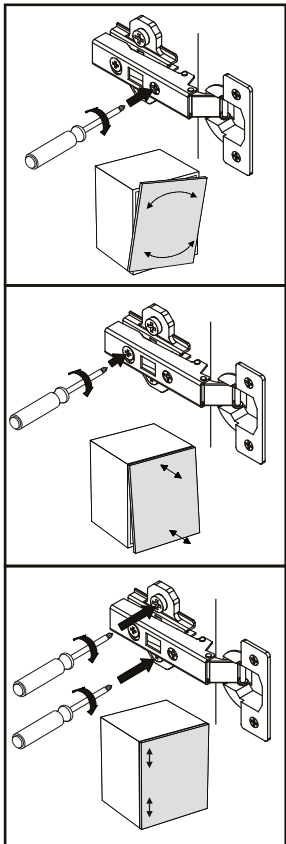
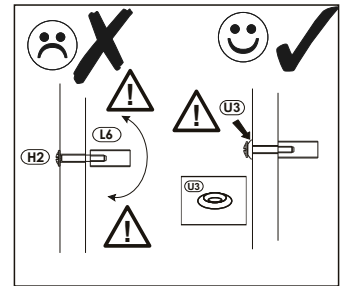
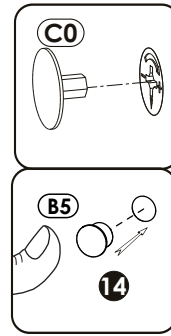
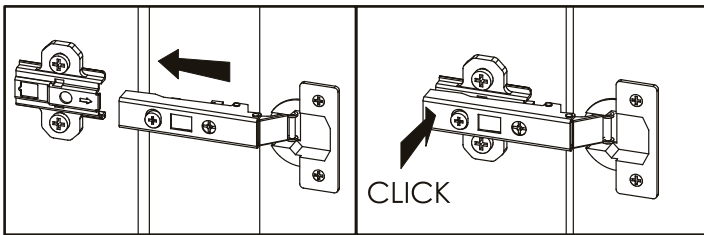


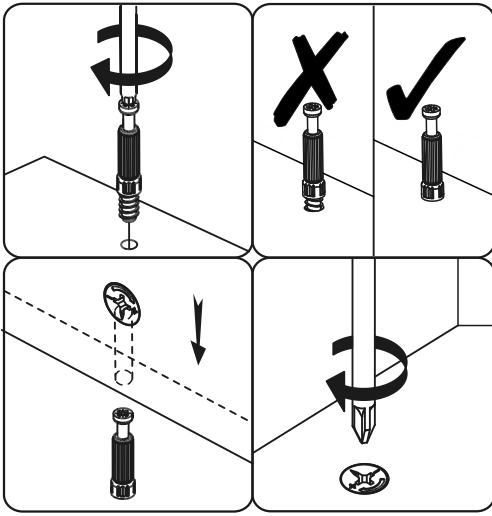
22 ▶



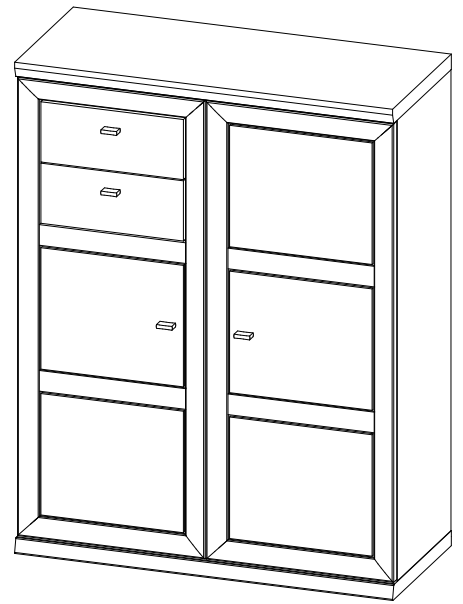
23

B5	 Ø5mm	x2	C0		x10	H2	 4x22mm	x2
L6		x1	U3		x2			

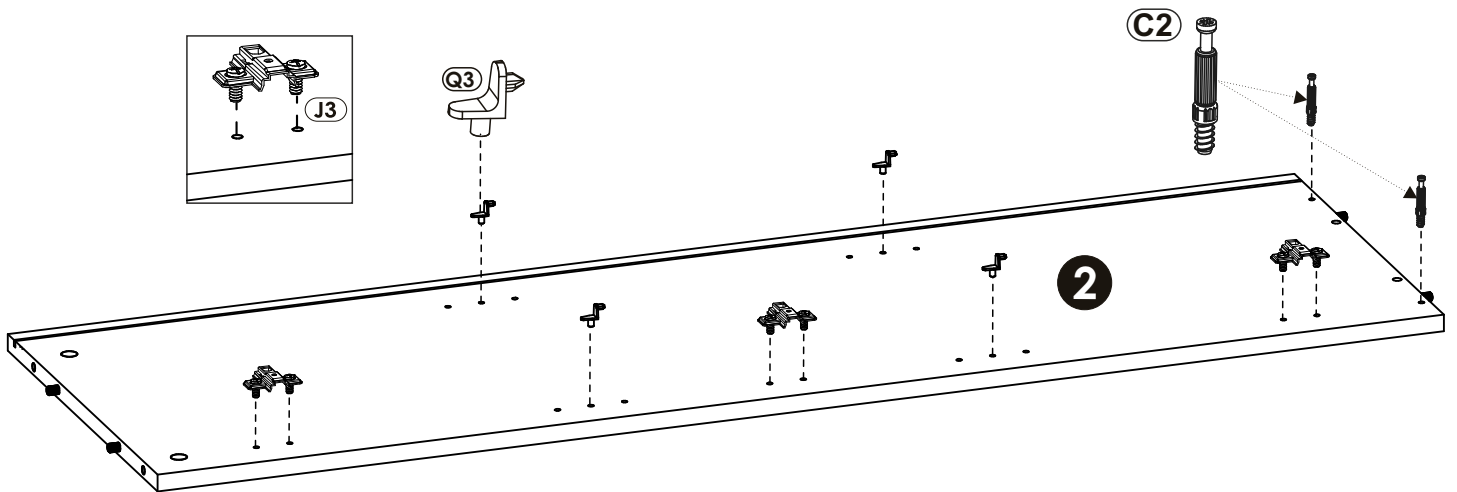
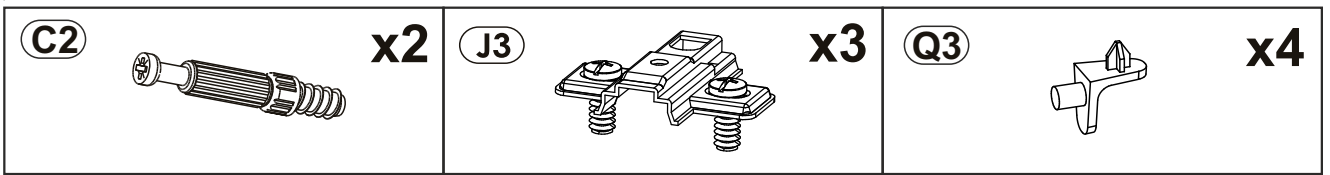




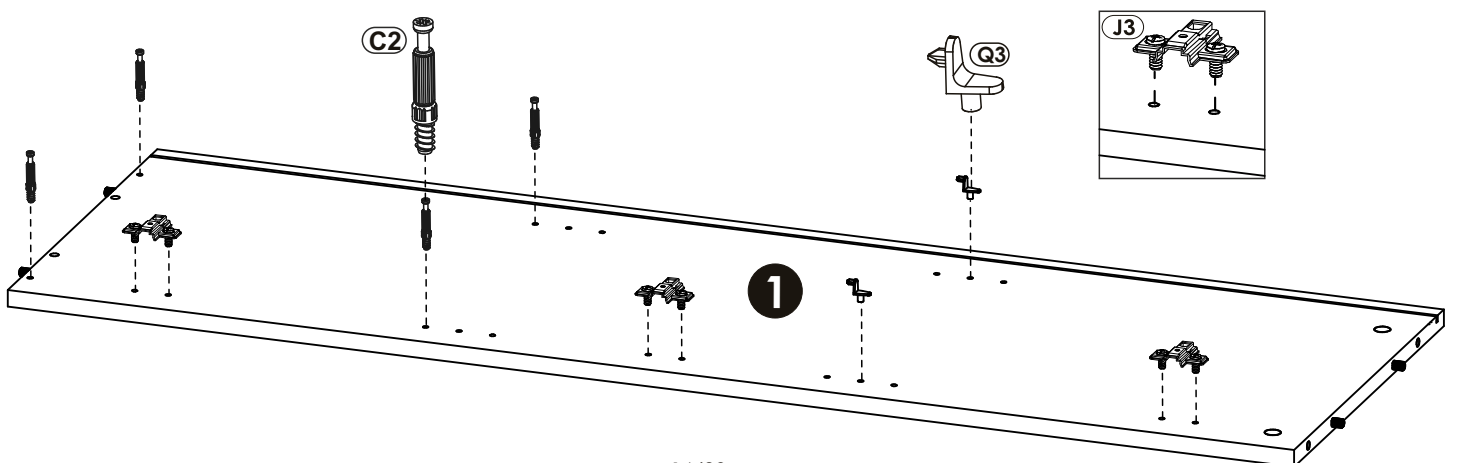
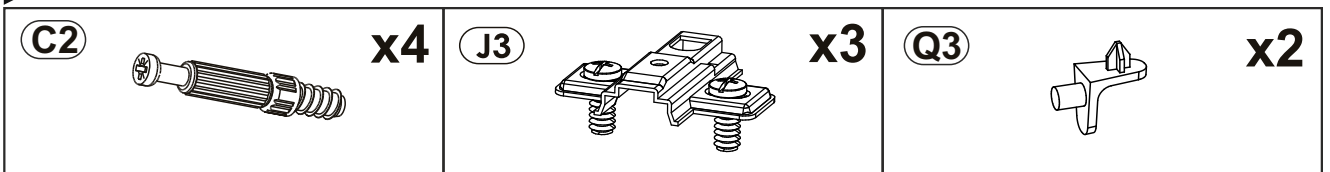
Variant B



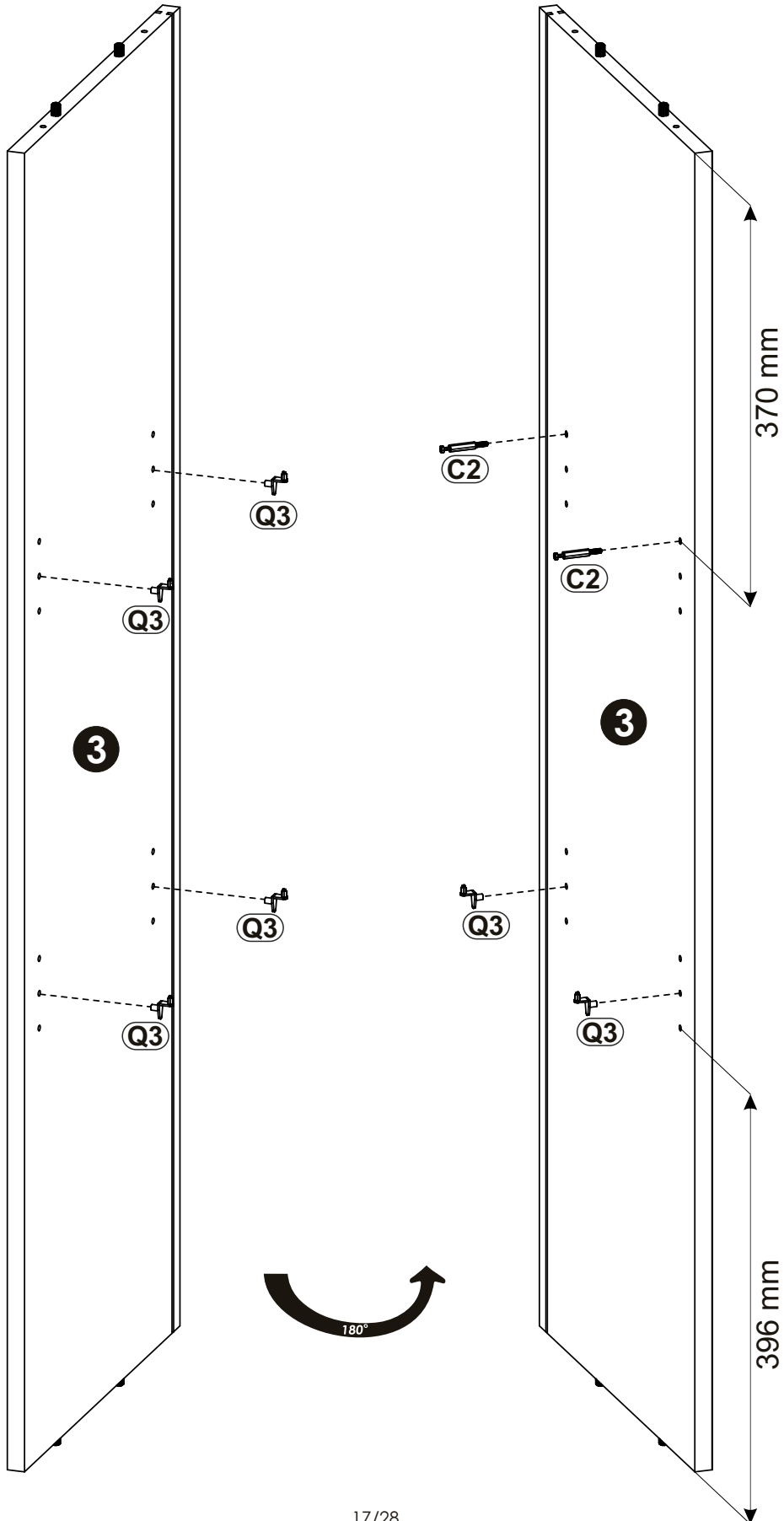
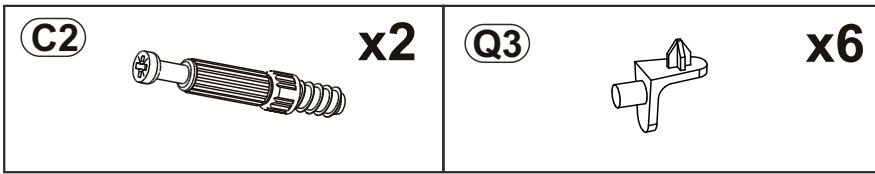
1 ▶




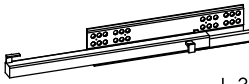
2 ▶

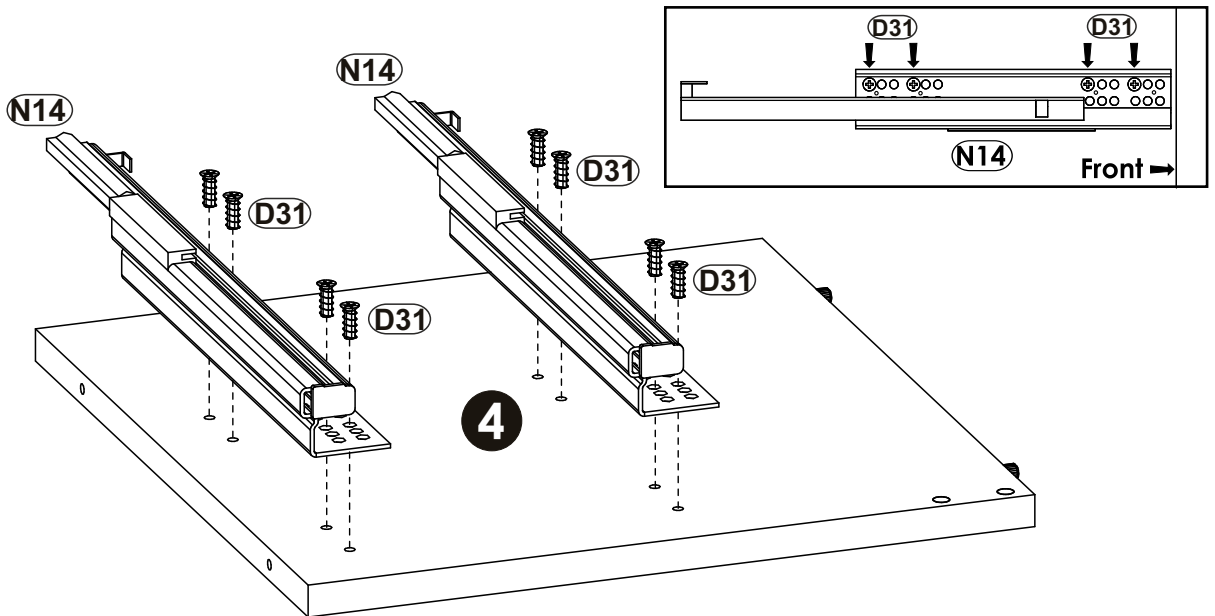


3


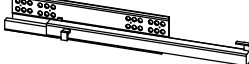


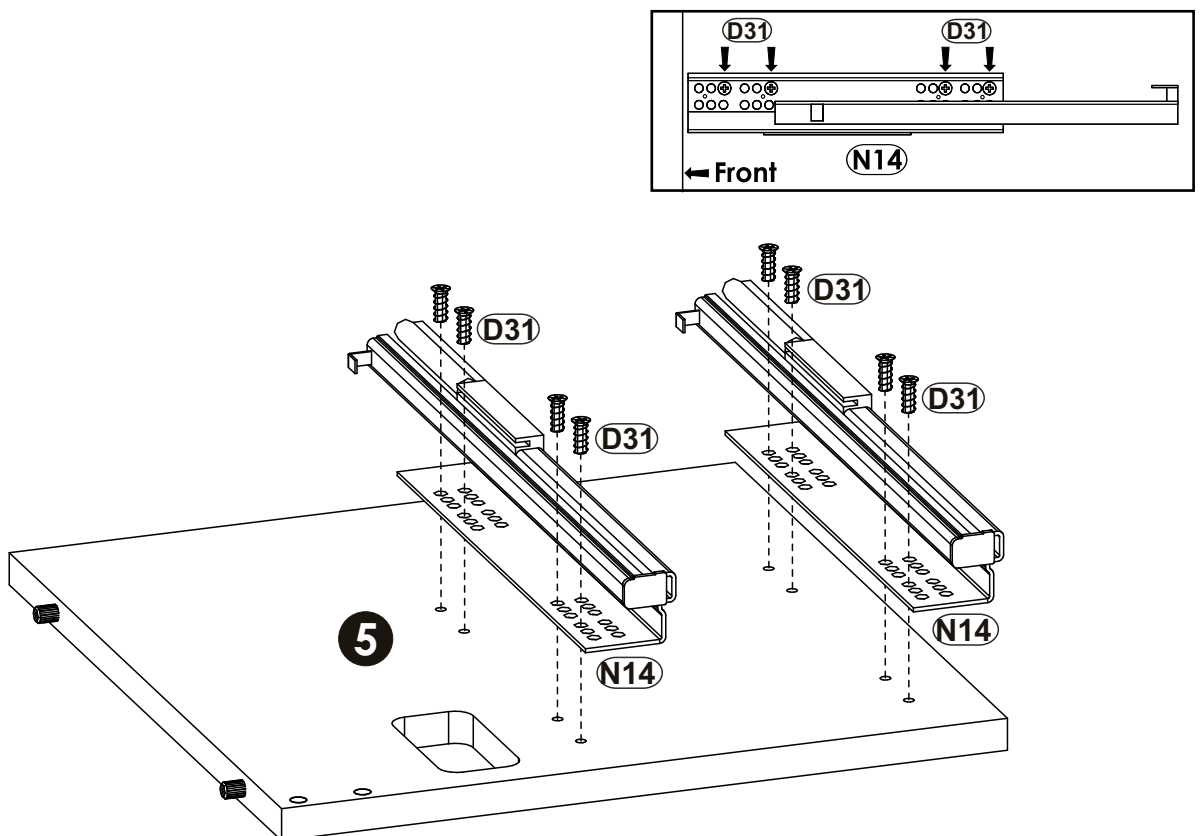
4 ▶

D31  6.3x13mm	x8	N14  L-350mm	x2
---	-----------	--	-----------

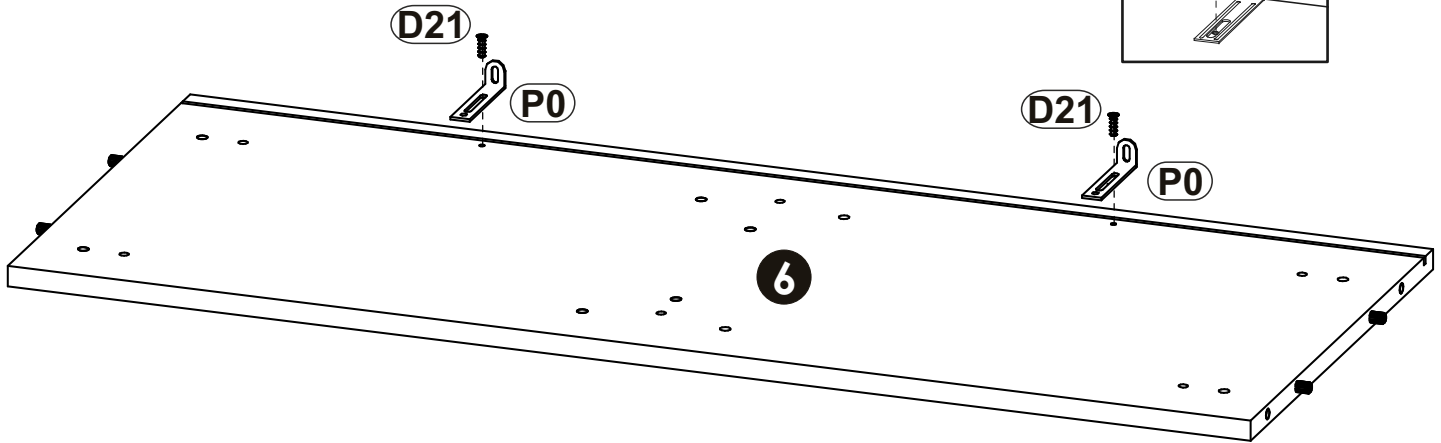
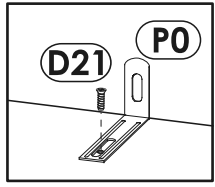
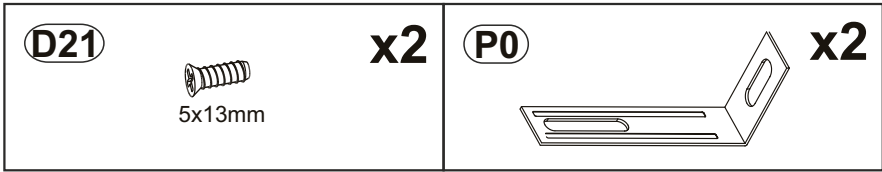


5 ▶

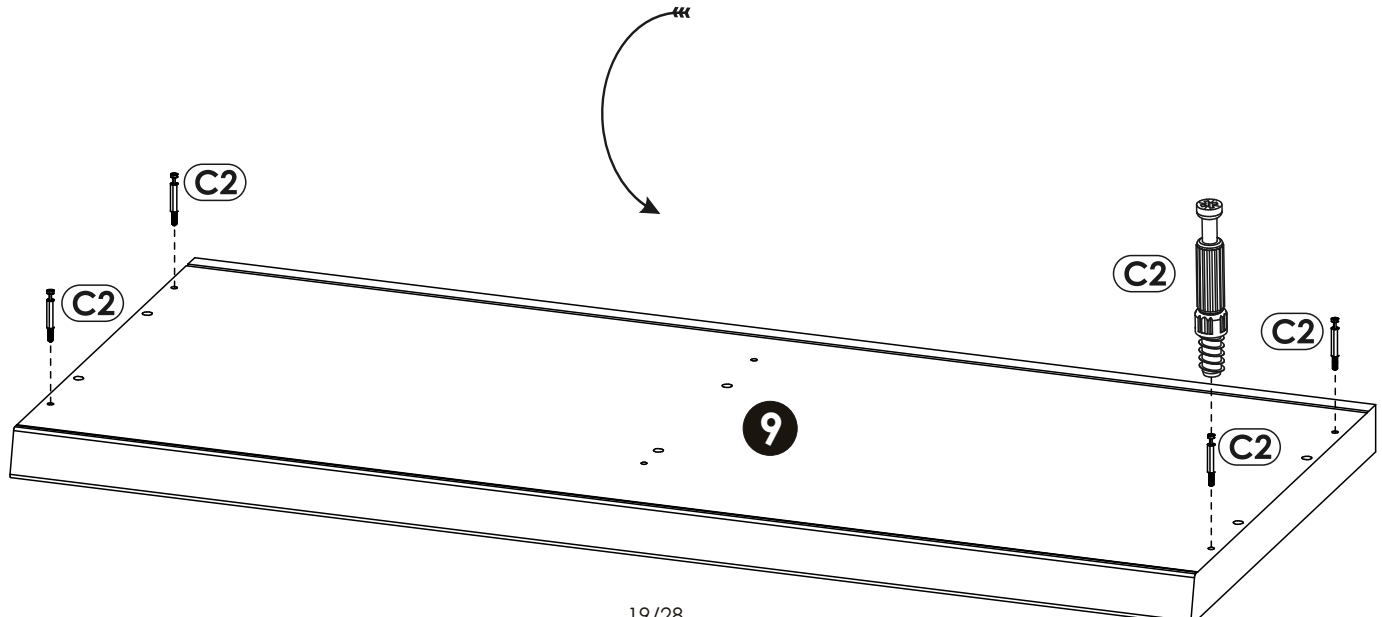
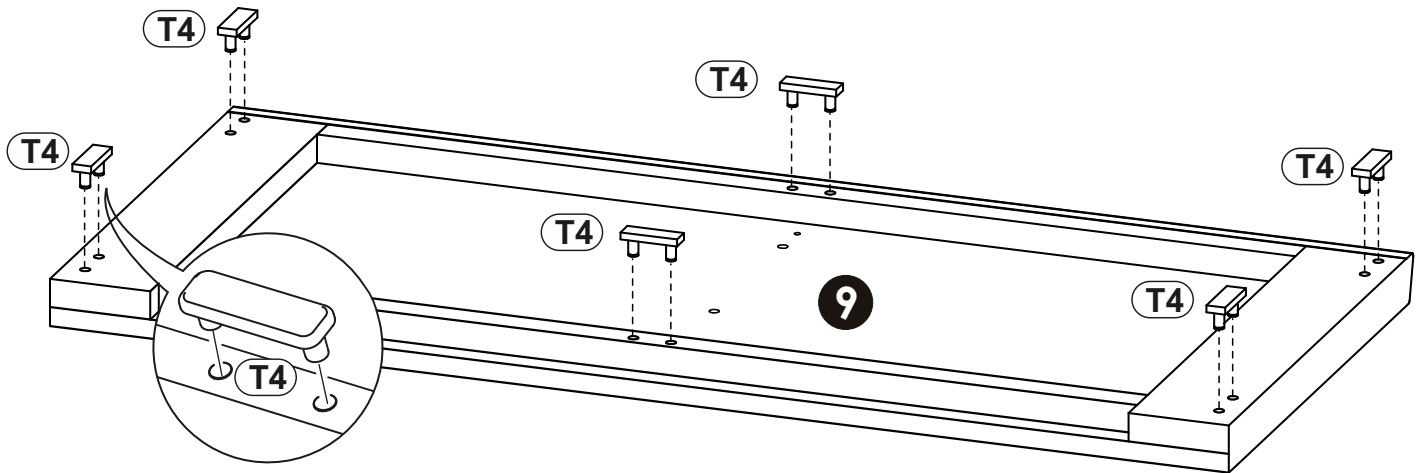
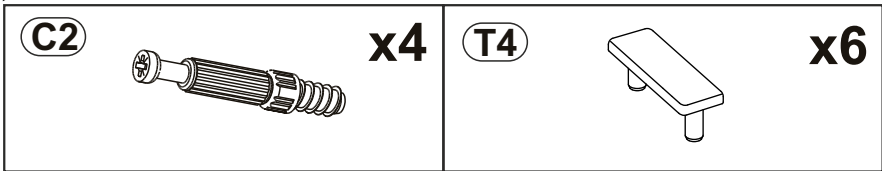
D31  6.3x13mm	x8	N14  L-350mm	x2
---	-----------	--	-----------





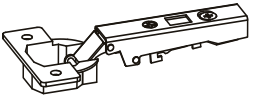


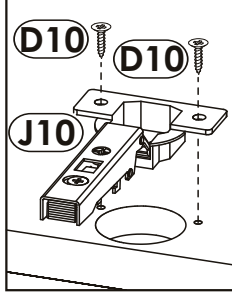
6 ▶

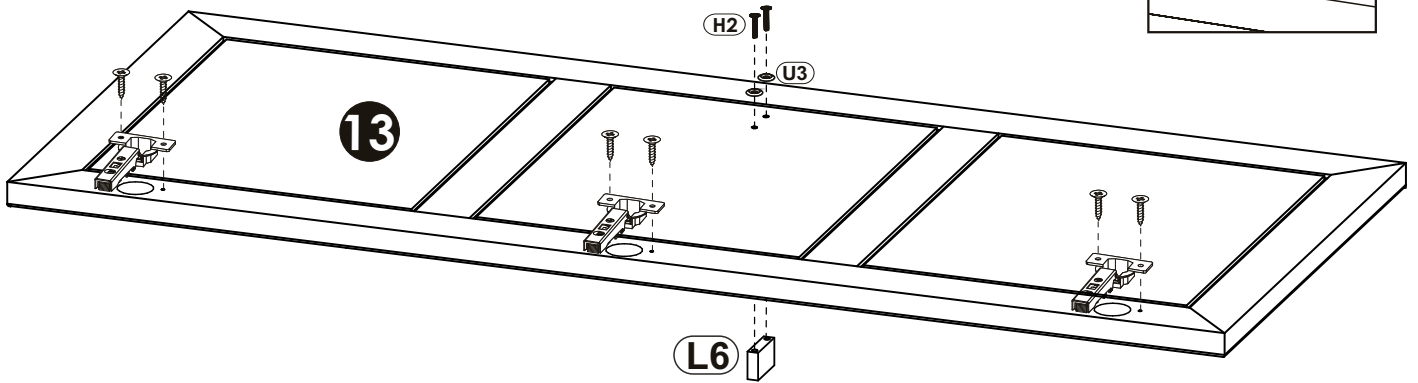


7 ▶



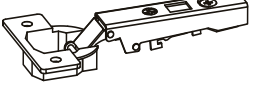


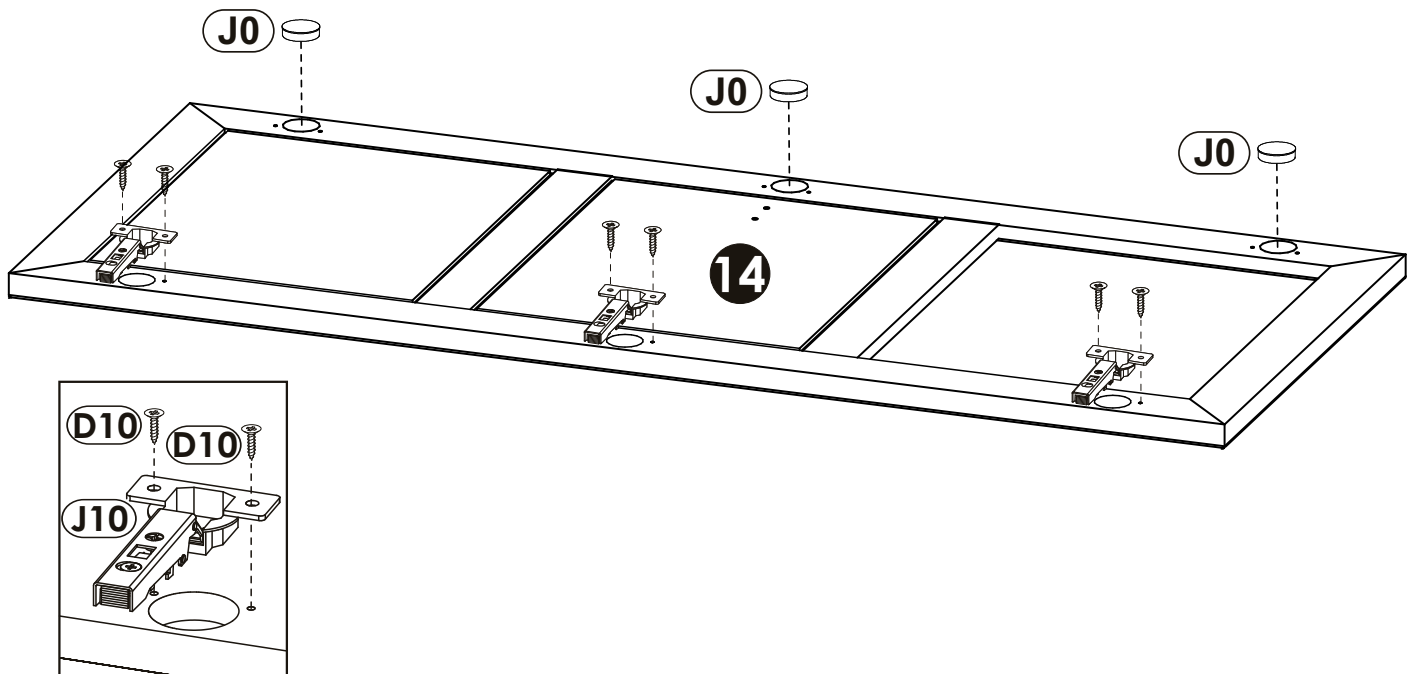
8

D10  4x16mm	x6	H2  4x22mm	x2	J10 	x3
L6 	x1	U3 	x2		

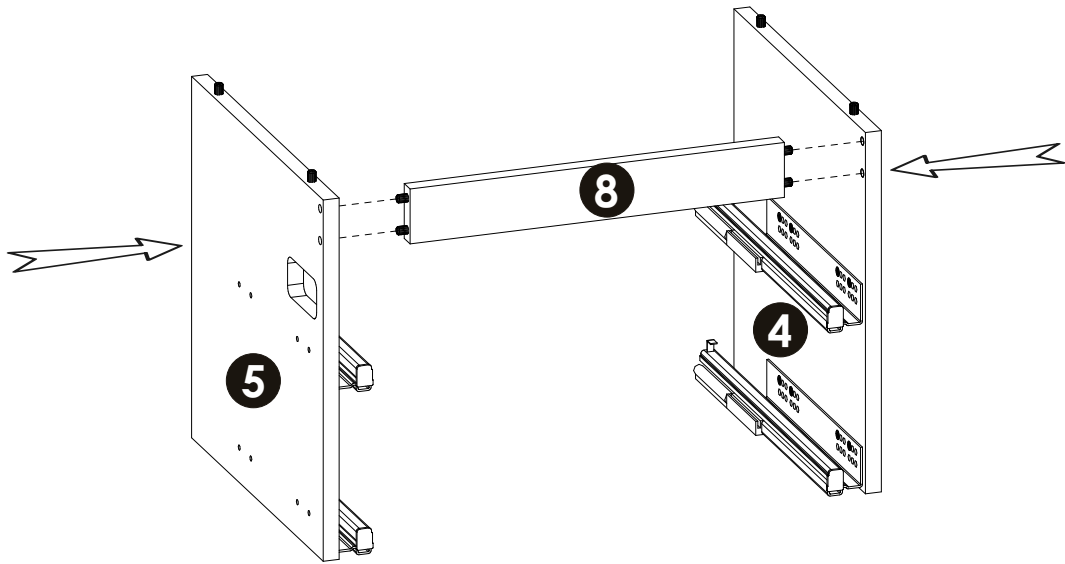


9

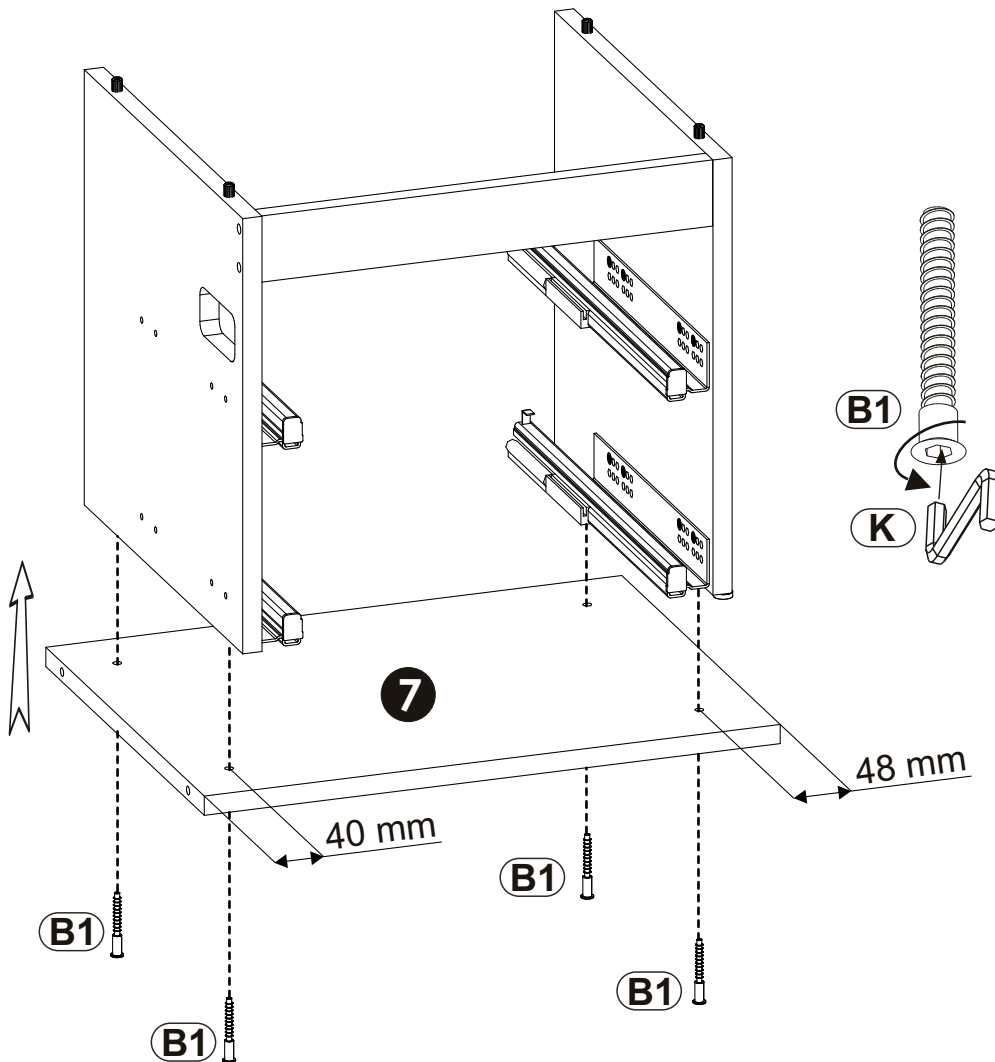
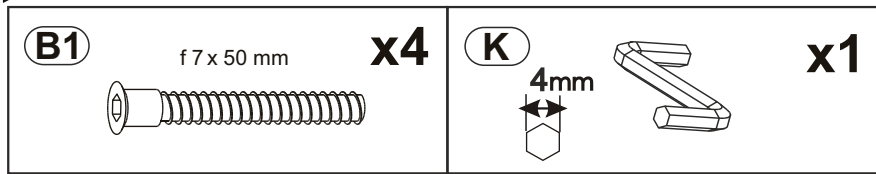
D10  4x16mm	x6	J0  Ø35mm	x3	J10 	x3
---	-----------	---	-----------	---	-----------



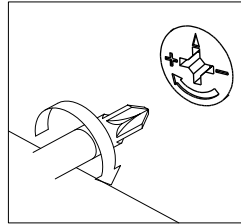
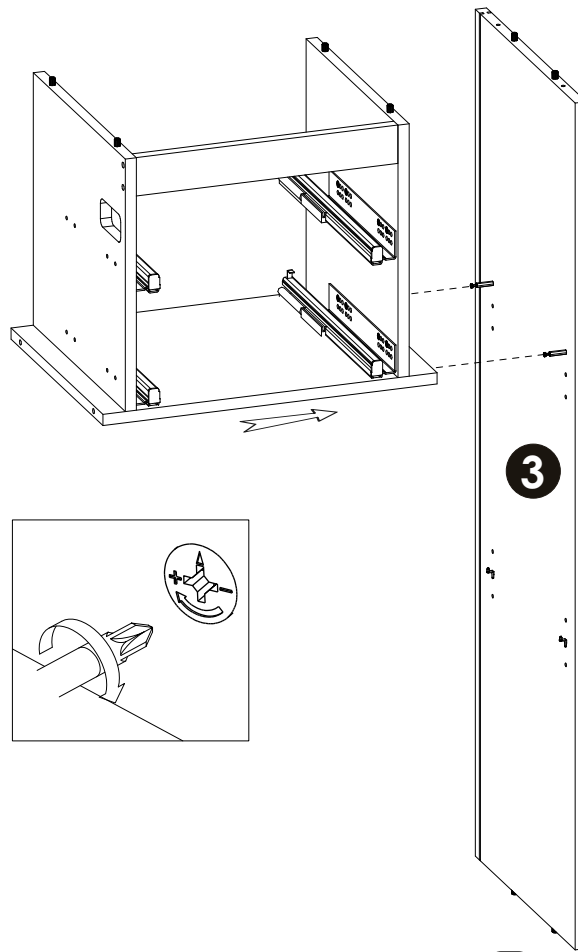
10 ▶



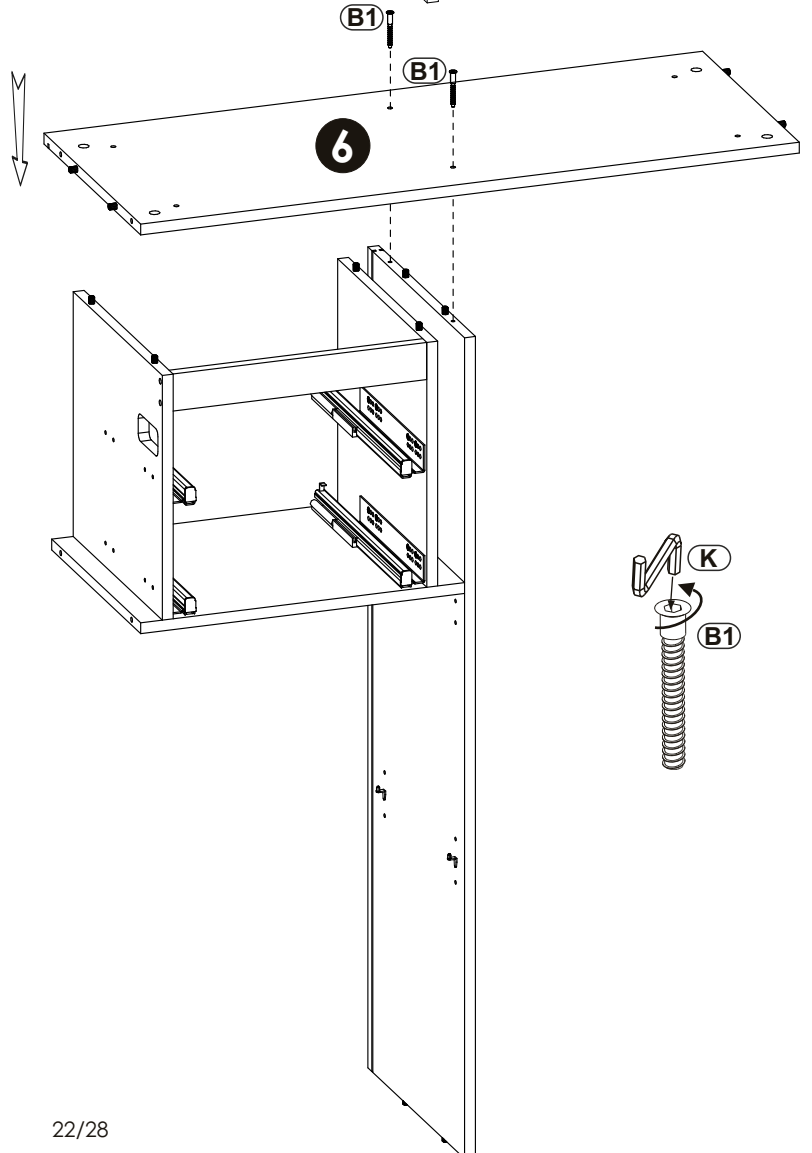
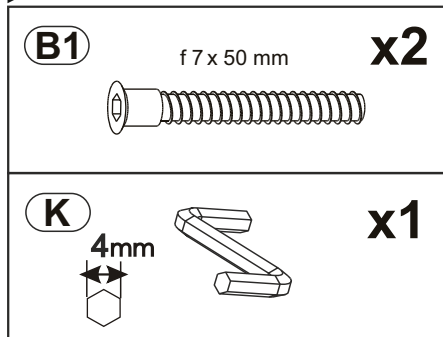
11 ▶



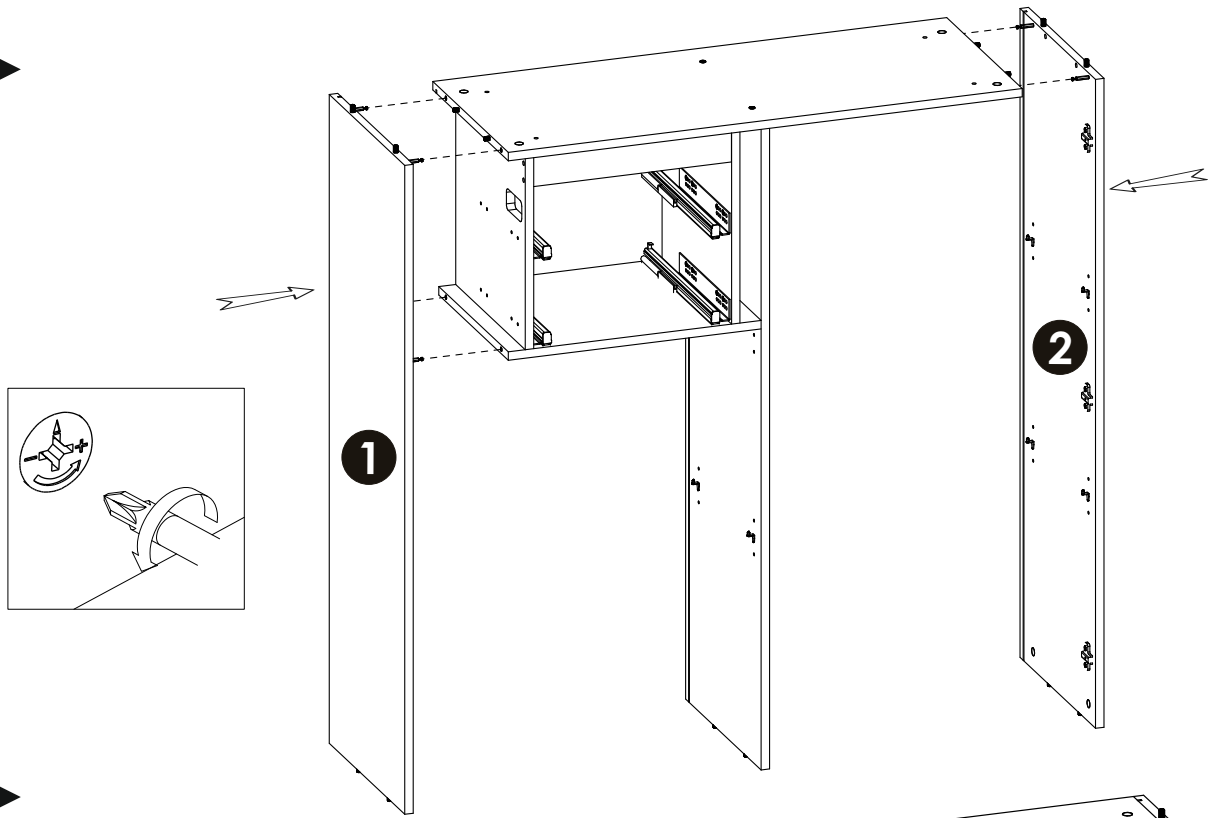
12 ▶



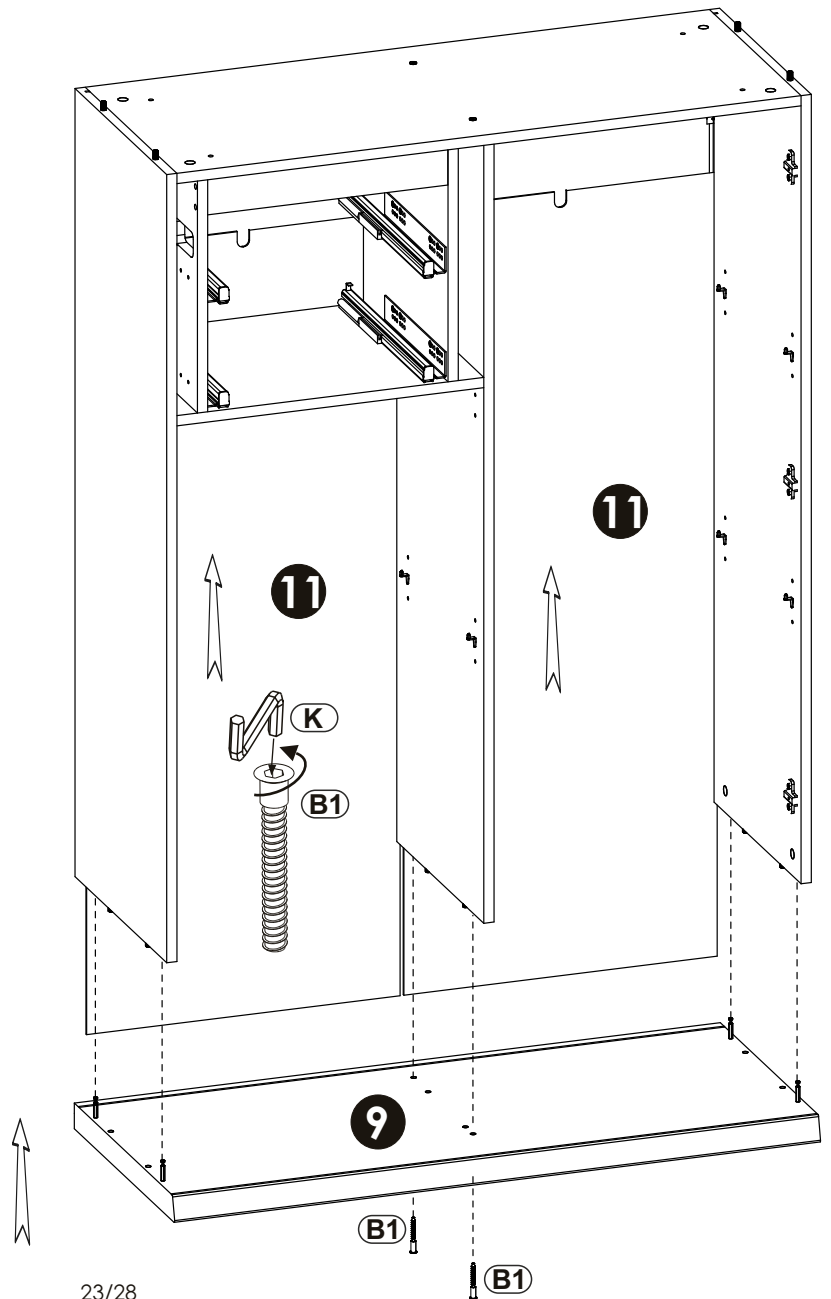
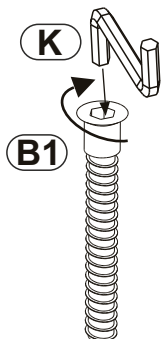
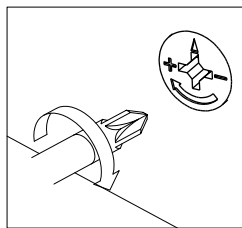
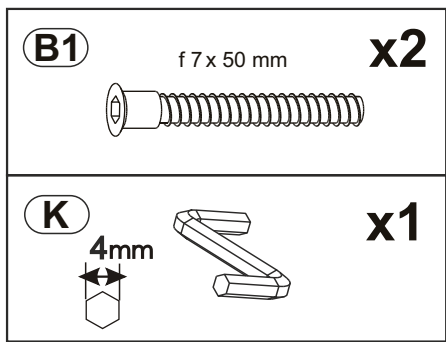
13 ▶



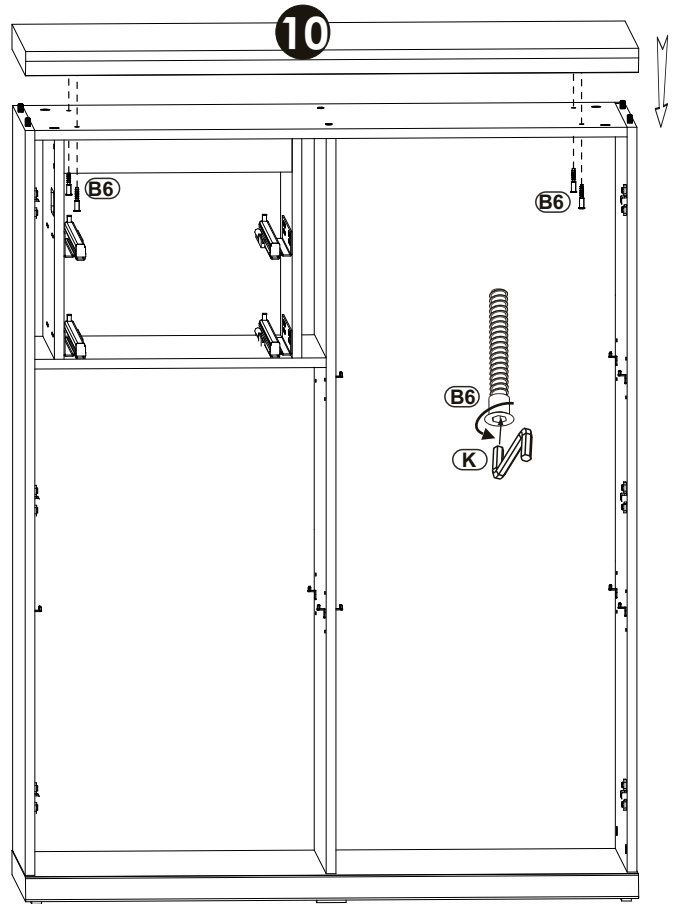
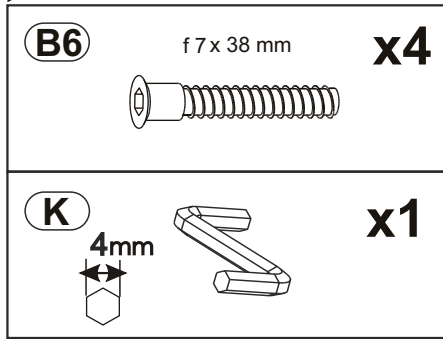
14 ▶



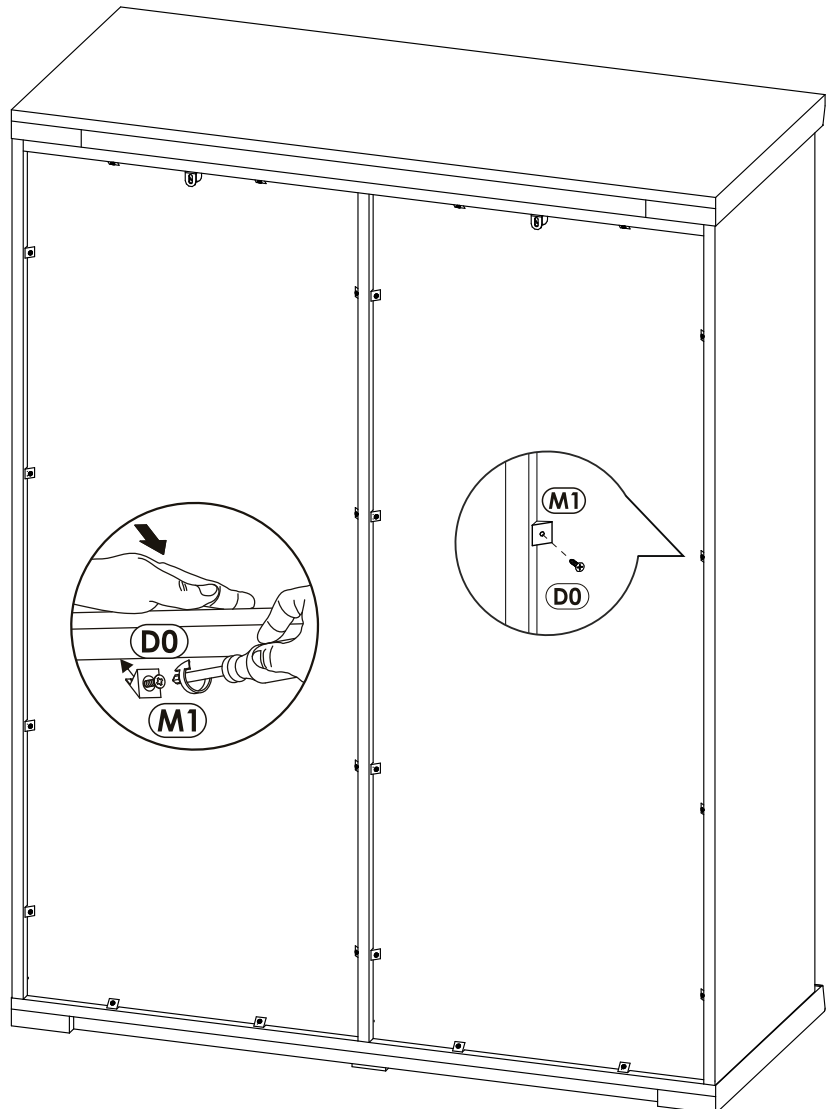
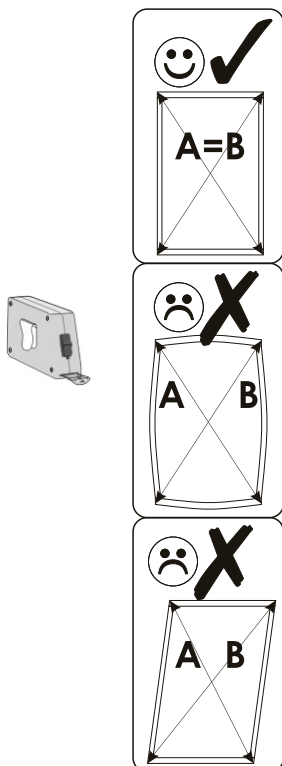
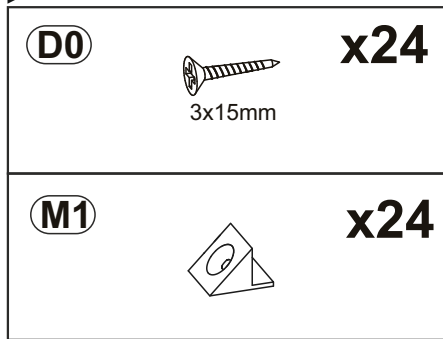
15 ▶



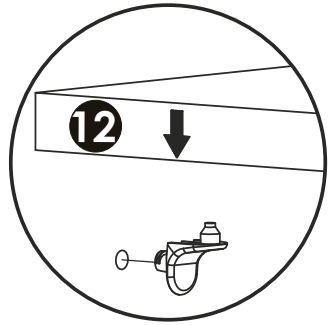
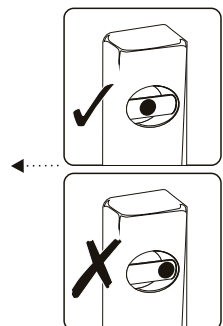
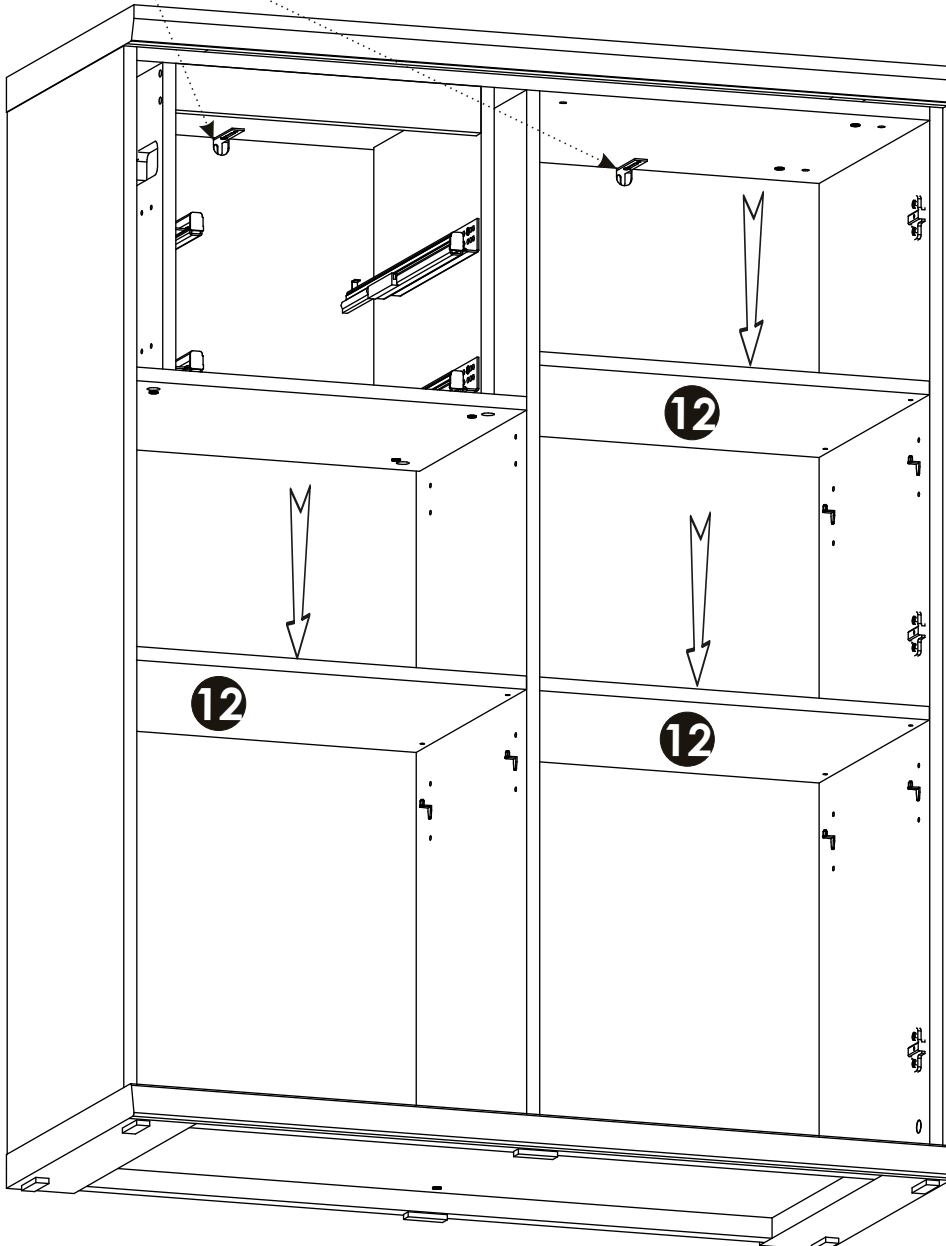
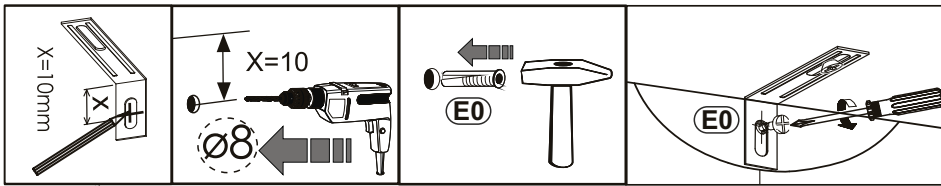
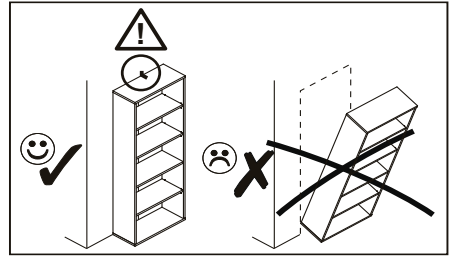
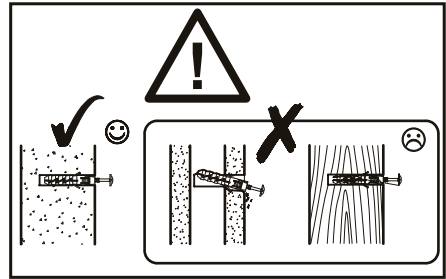
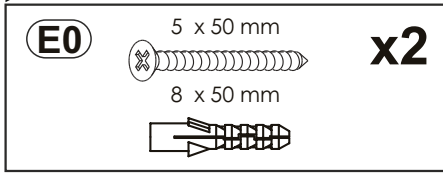
16



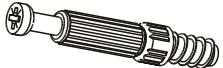


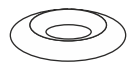
17

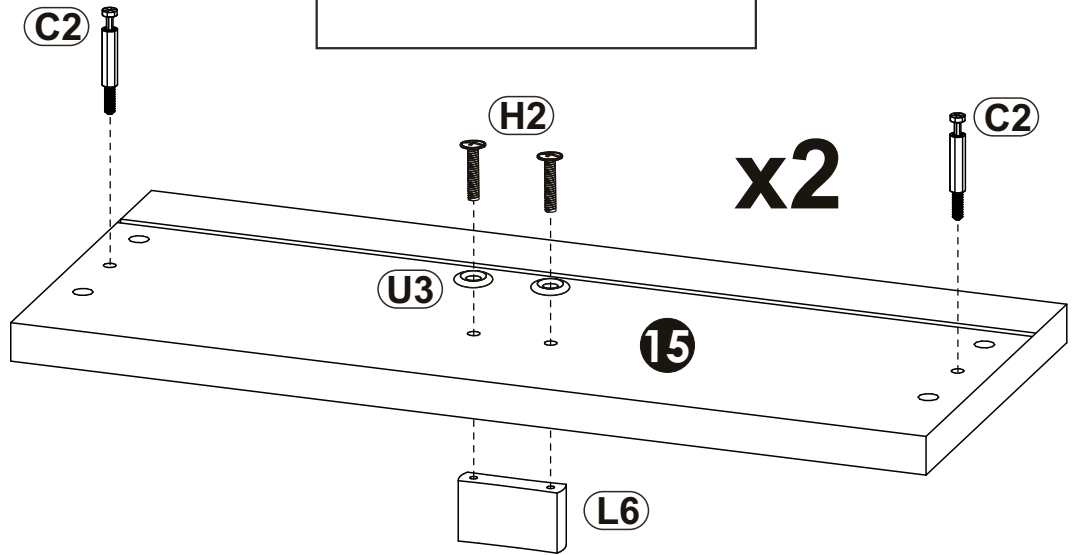


18

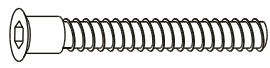


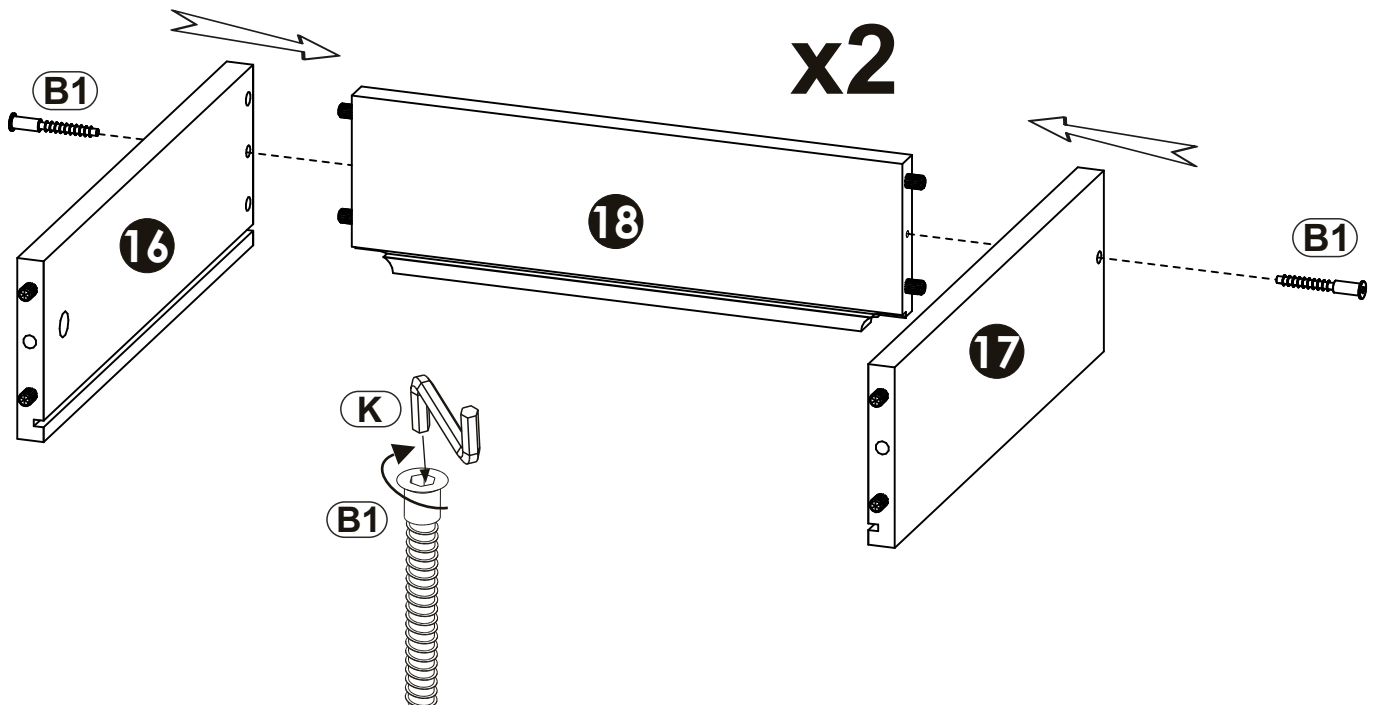
19 ▶

C2		x4	H2	 4x22mm	x4	L6		x2
			U3		x4			



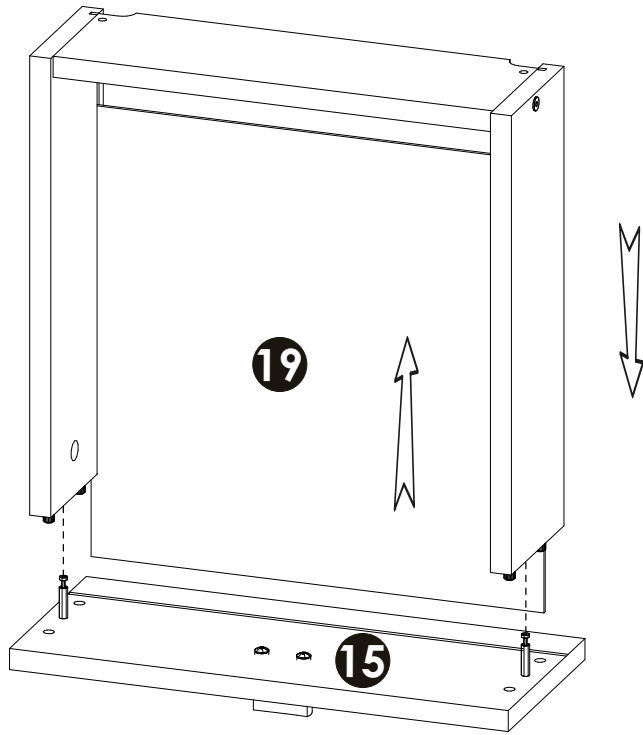
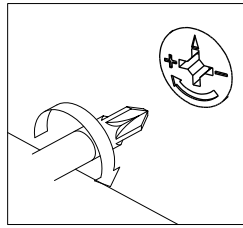
20 ▶

B1	 f 7 x 50 mm	x4
-----------	--	-----------

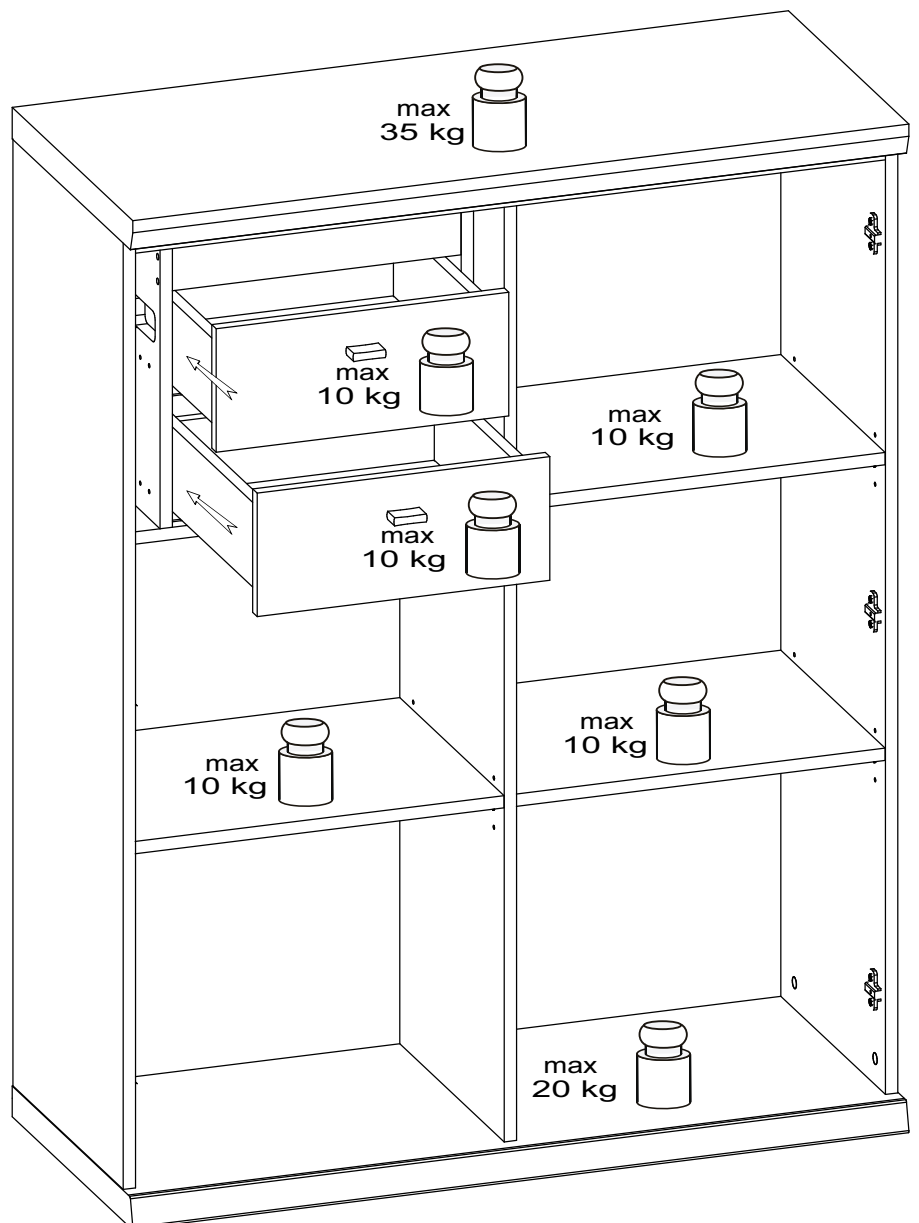
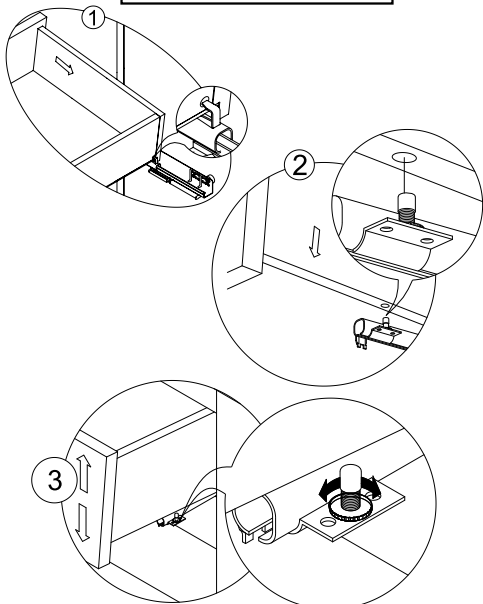
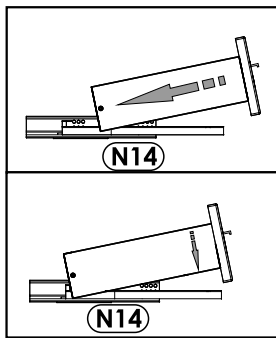
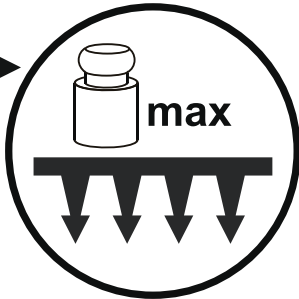


21 ▶






x2



22 ▶



23

B5  Ø5mm x2	C0  x10	H2  4x22mm x2
L6  x1	U3  x2	

