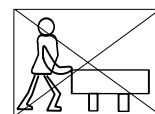
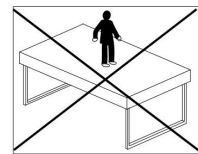
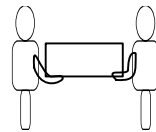
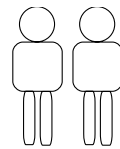
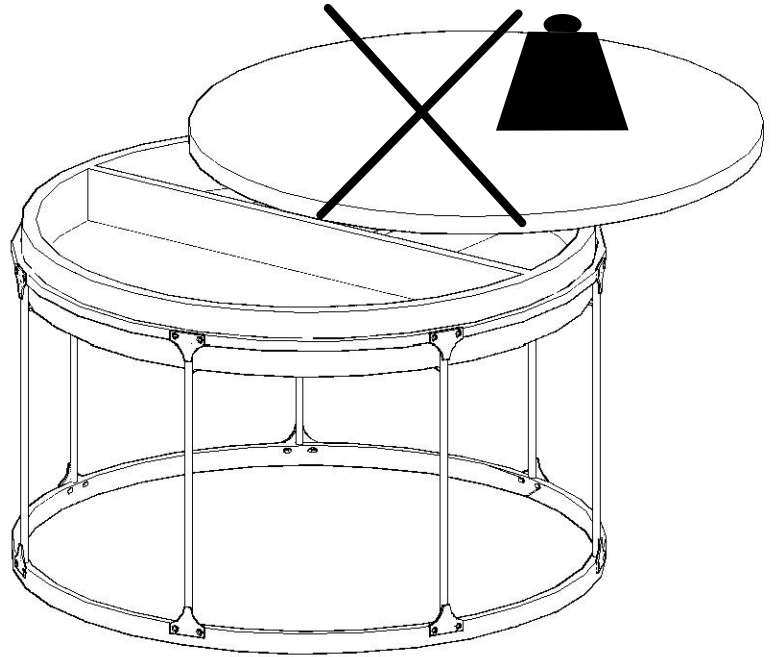
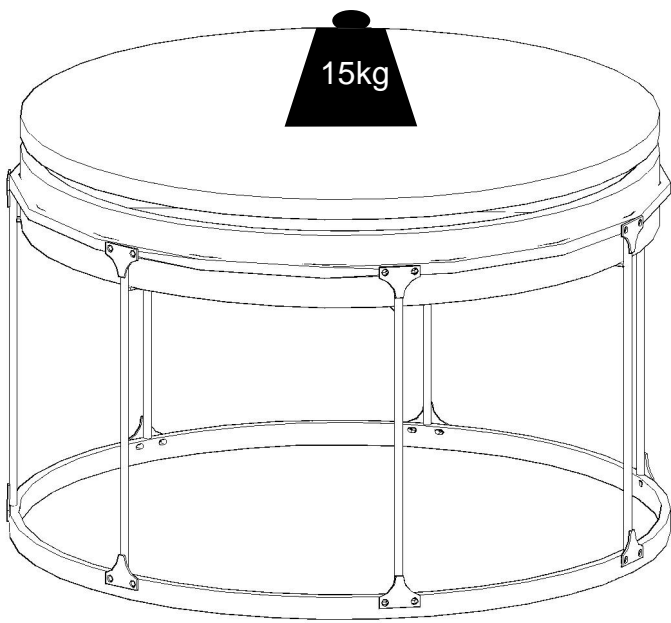
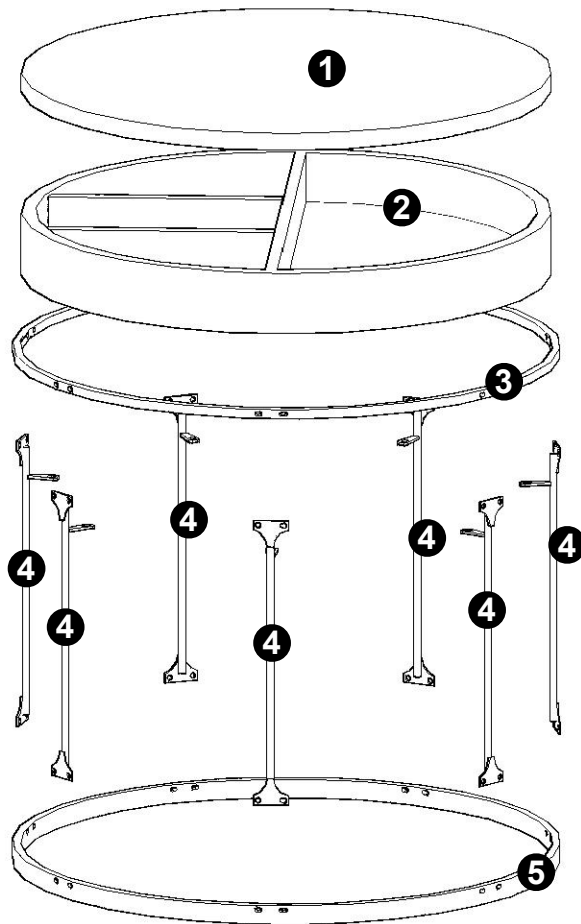
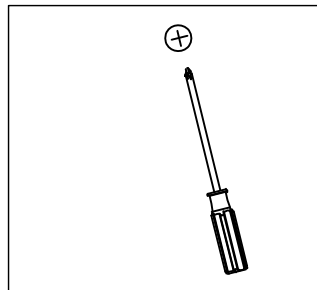
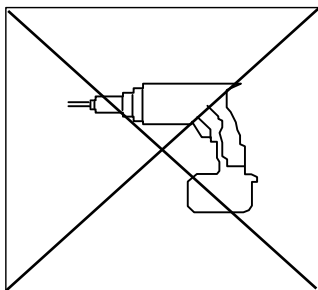


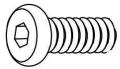
1186224

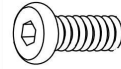






- 1x **1**
- 1x **2**
- 1x **3**
- 7x **4**
- 1x **5**




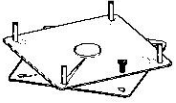
A	X 4
	
M6*15mm	


B	X 28
	
M6*10mm	


C	X 1
	
M4	

D	X 7
	
φ15*10mm	

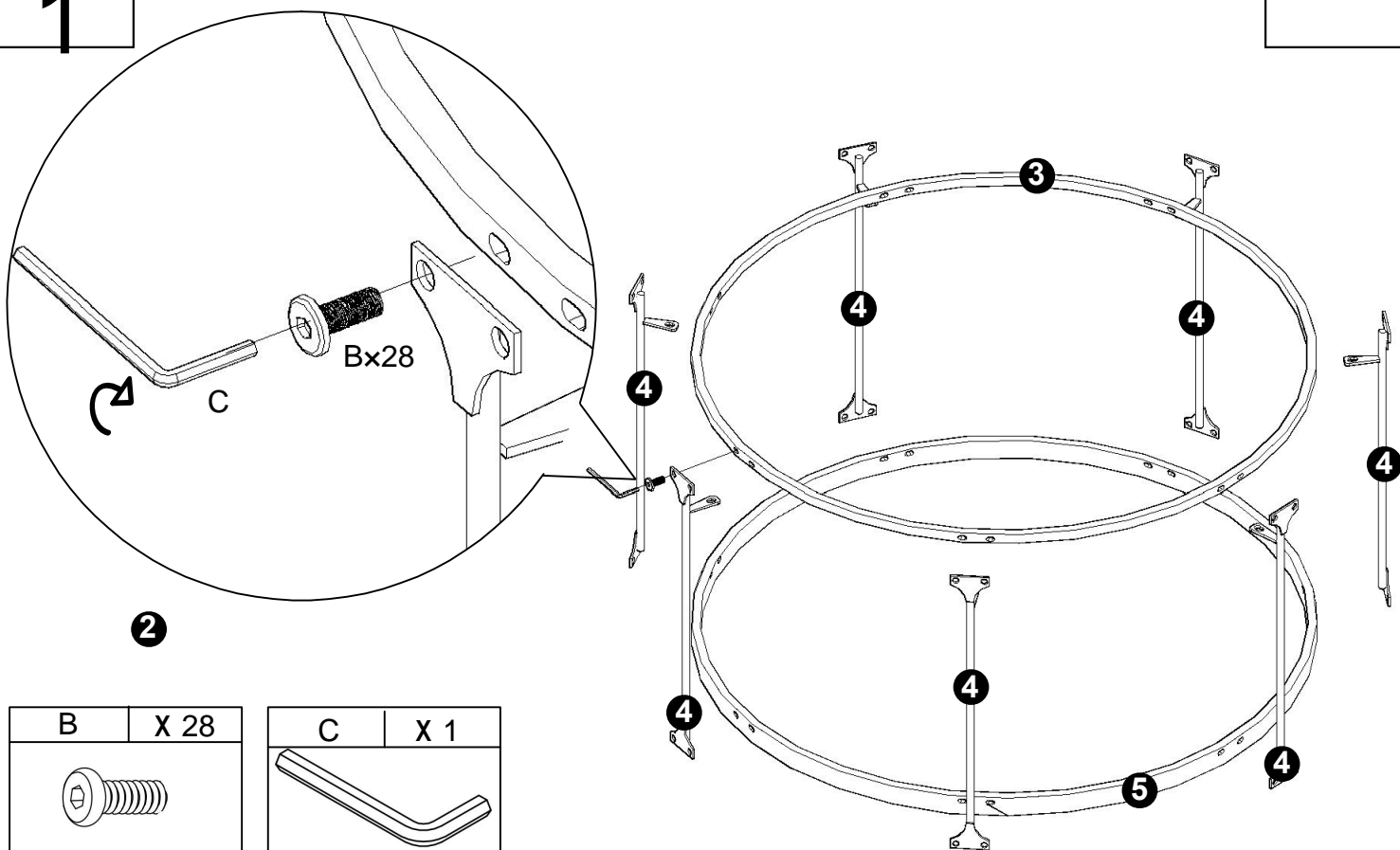
E	X 4
	
M6*70mm	

F	X 1
	
190*190mm	

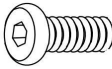
G	X 15
	
M6*14mm	


H	X 7
	
M4*16mm	

1

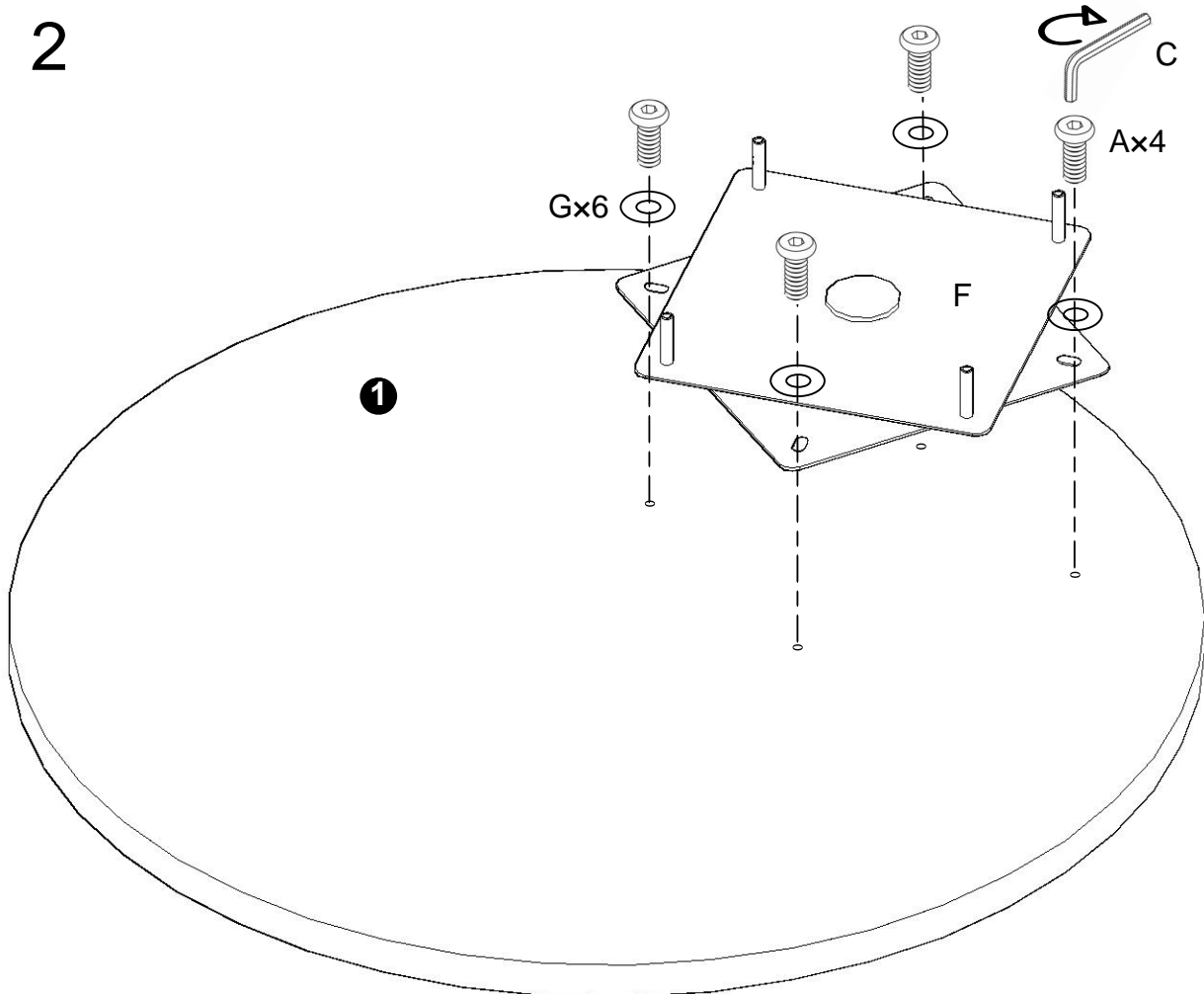


2


B	X 28
	
M6*10mm	


C	X 1
	
M4	

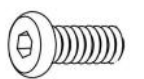
2




1

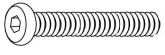
F	X 1
	
190*190mm	


G	X 4
	
M6*14mm	

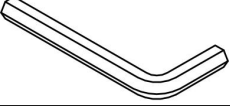
A	X 4
	
M6*15mm	

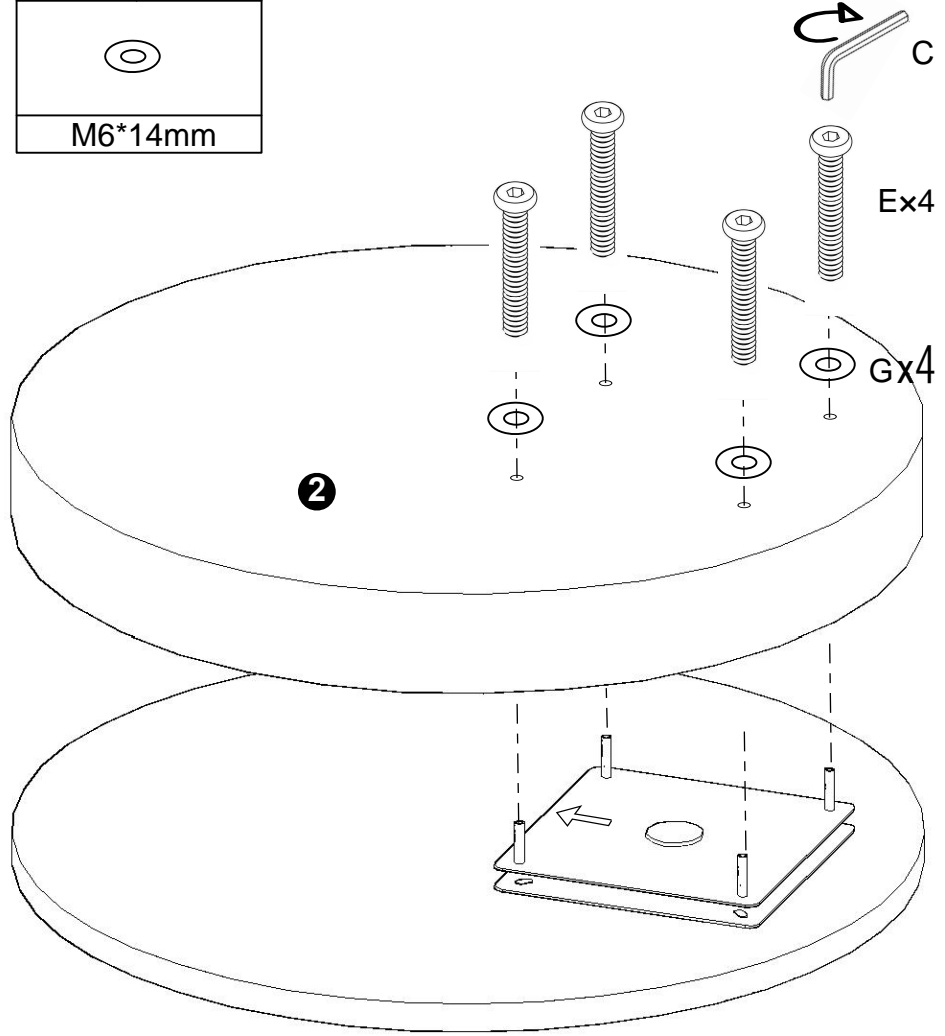
C	X 1
	
M4	

3

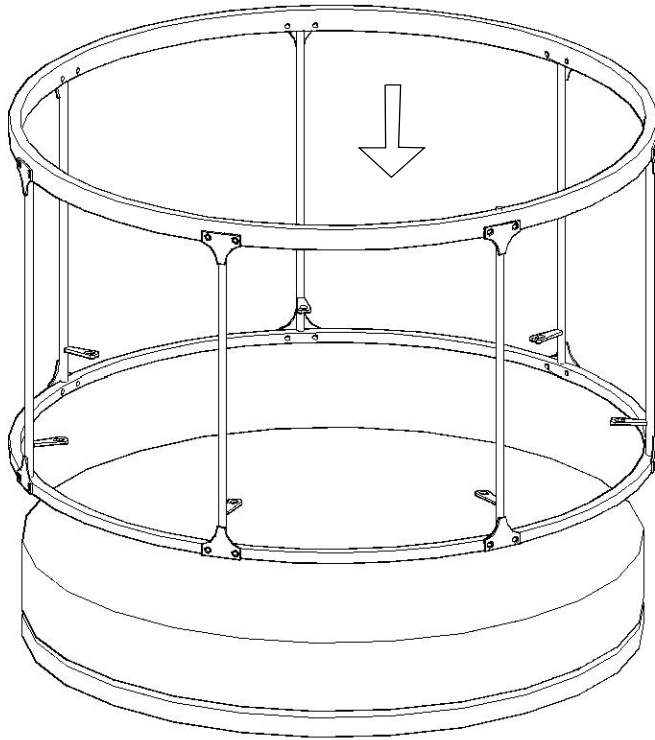
E	X 4
	
M6*70mm	

G	X 4
	
M6*14mm	

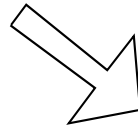
C	X 1
	
M4	



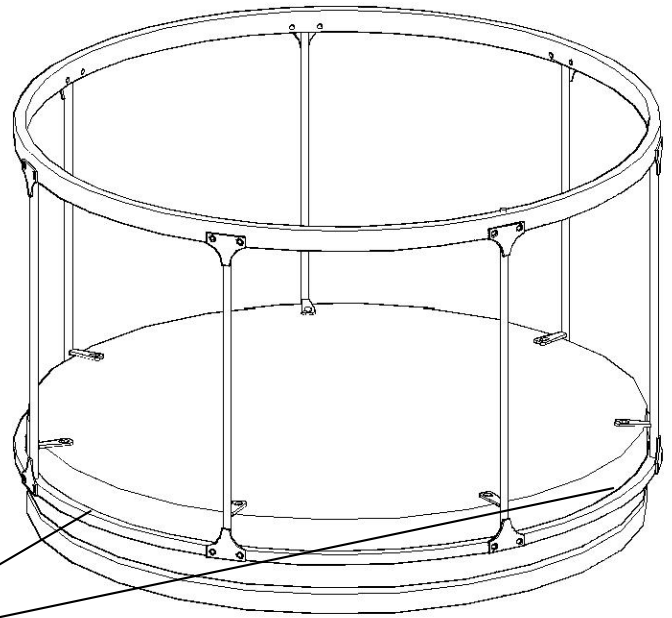
4



1step

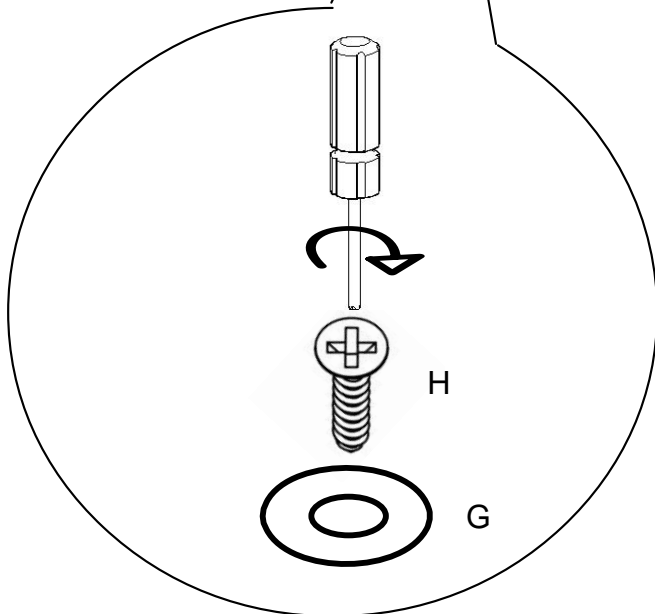
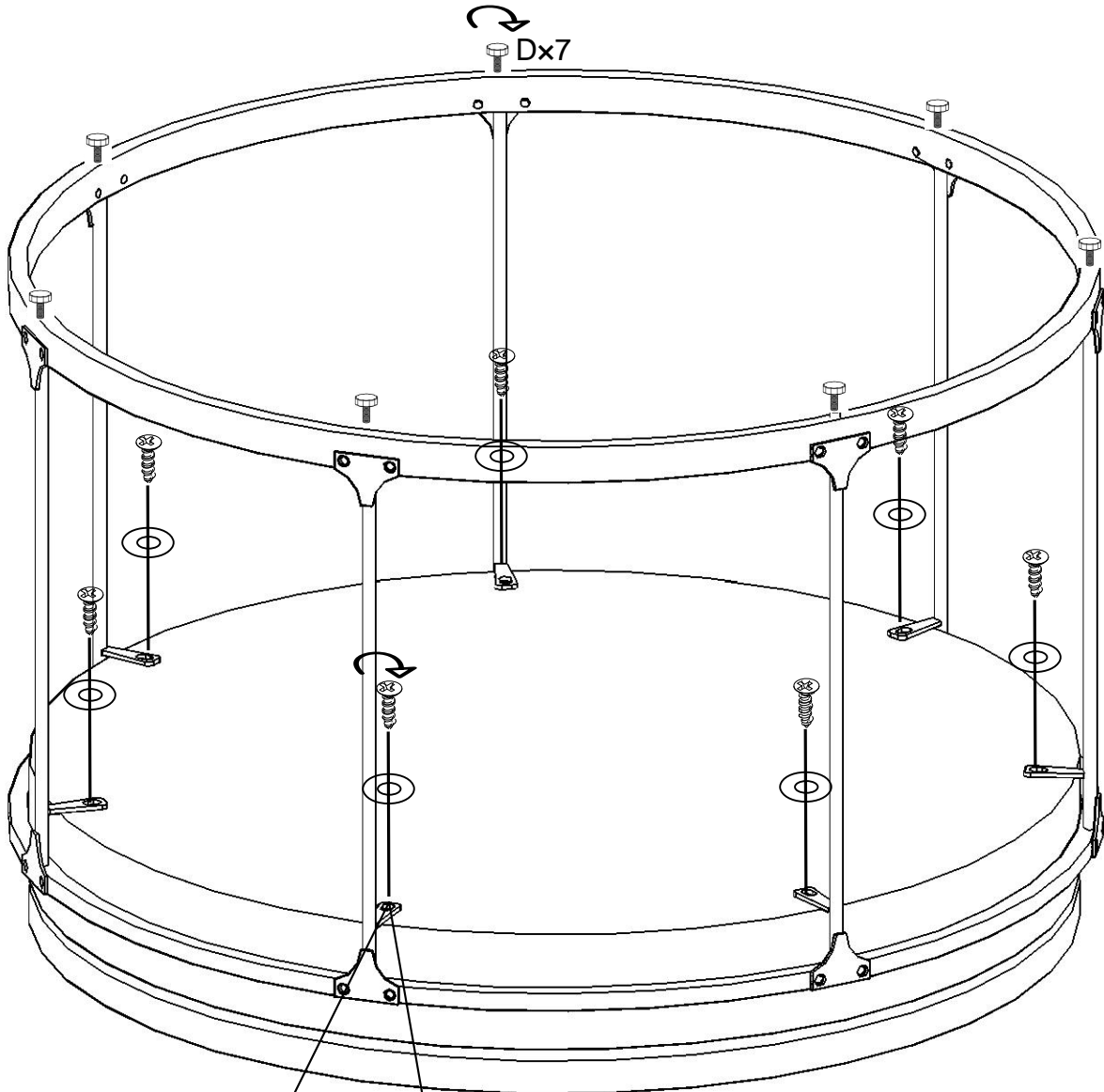


2step



Adjust the position of the shelf so that the gaps around it are even

5



G	X 7
M6*14mm	

H	X 7
M4*16mm	

D	X 7
φ15*10mm	