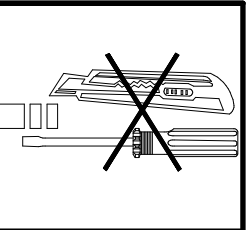
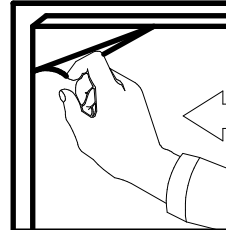
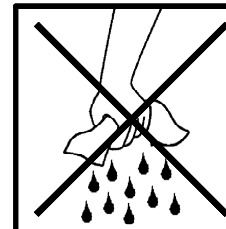
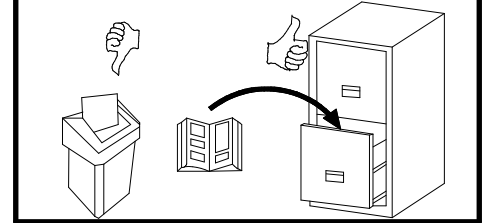
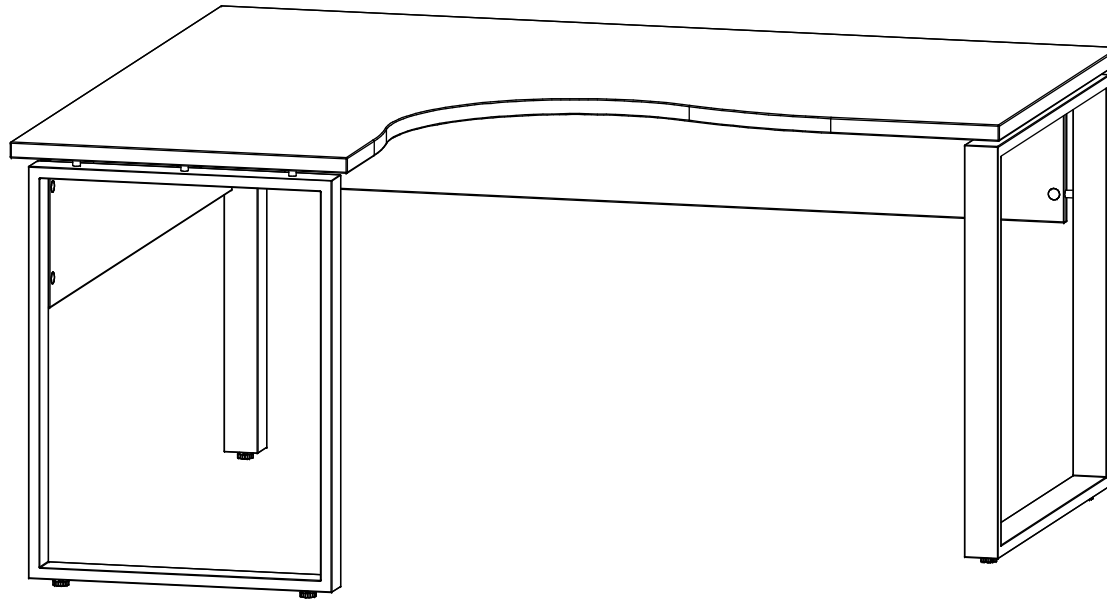
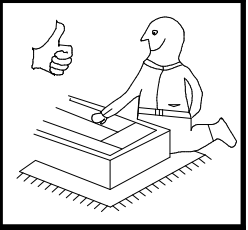
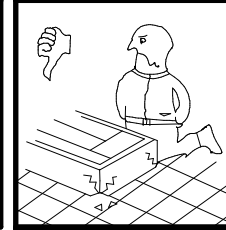
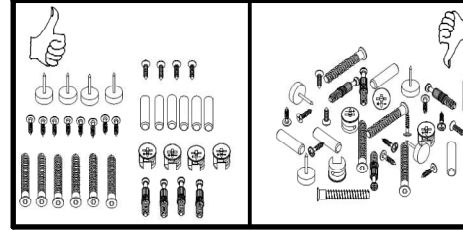
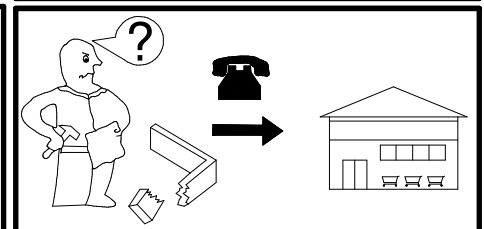
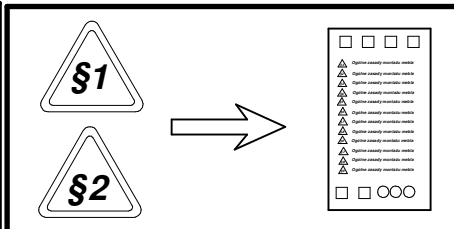
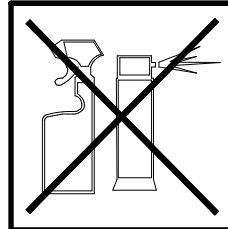
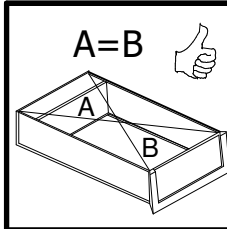
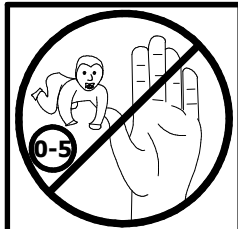
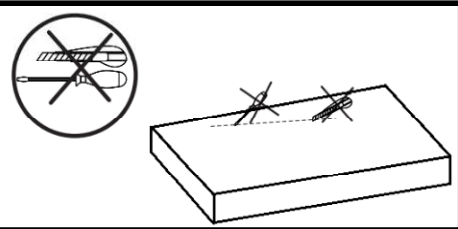
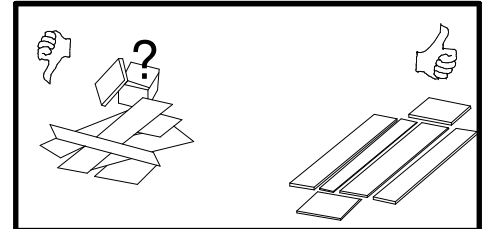
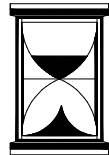
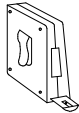
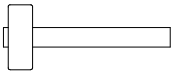
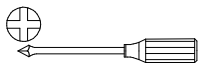
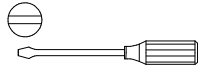
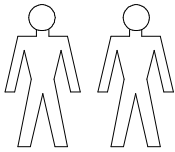


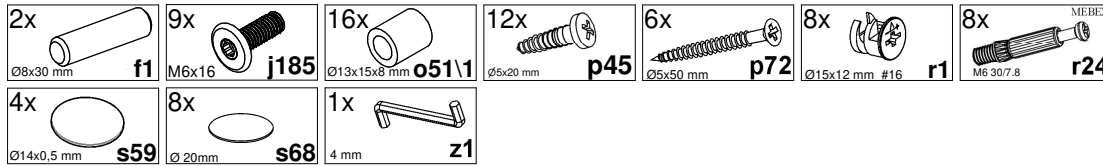
**A****S643-BIUN/160/L****CONNECT**

**24270215/37**  
**24270215/38**

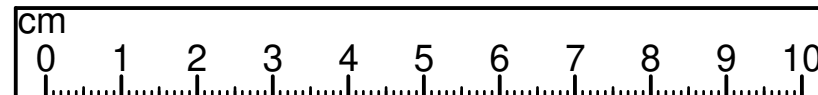
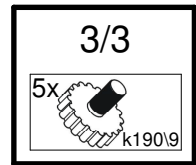


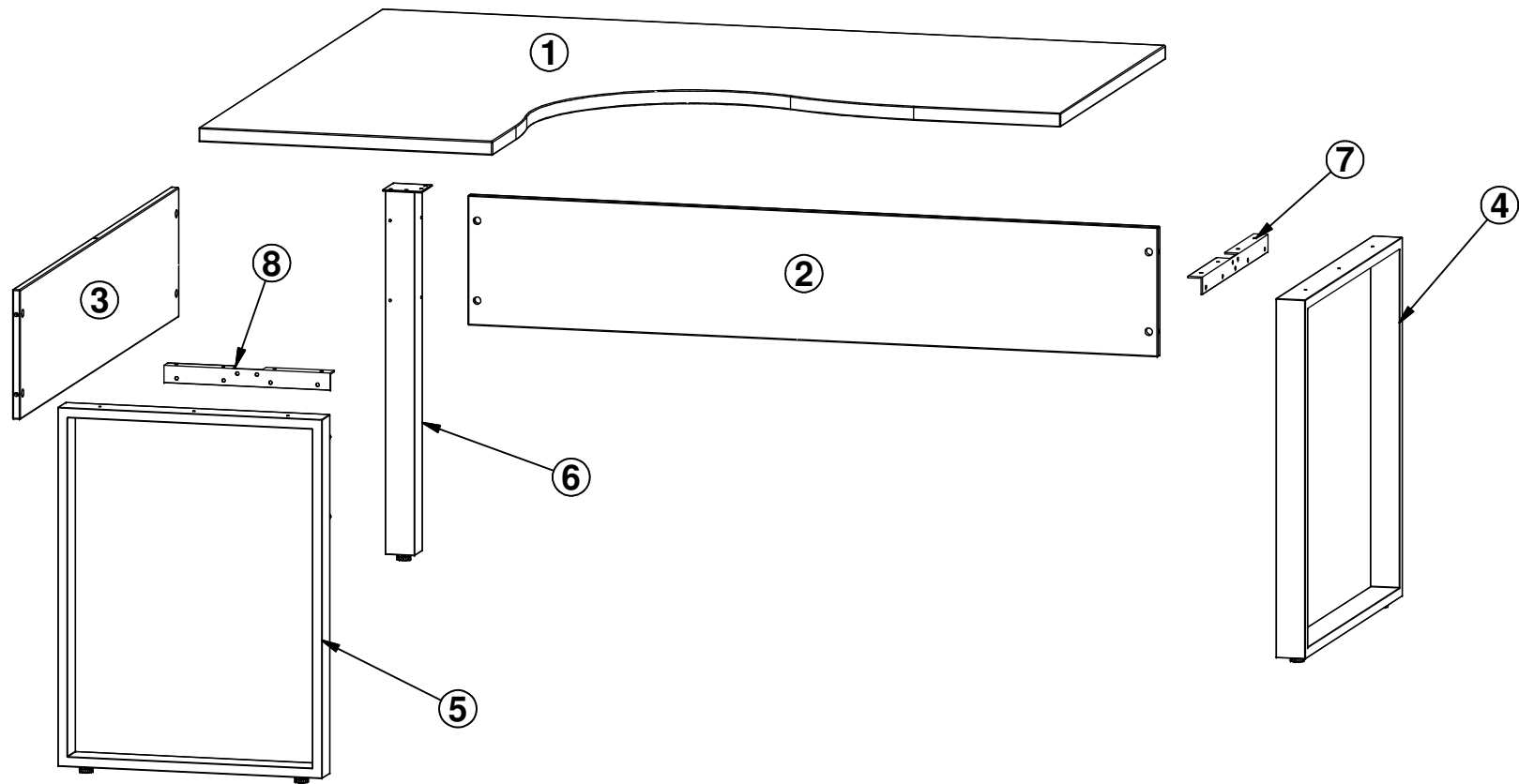


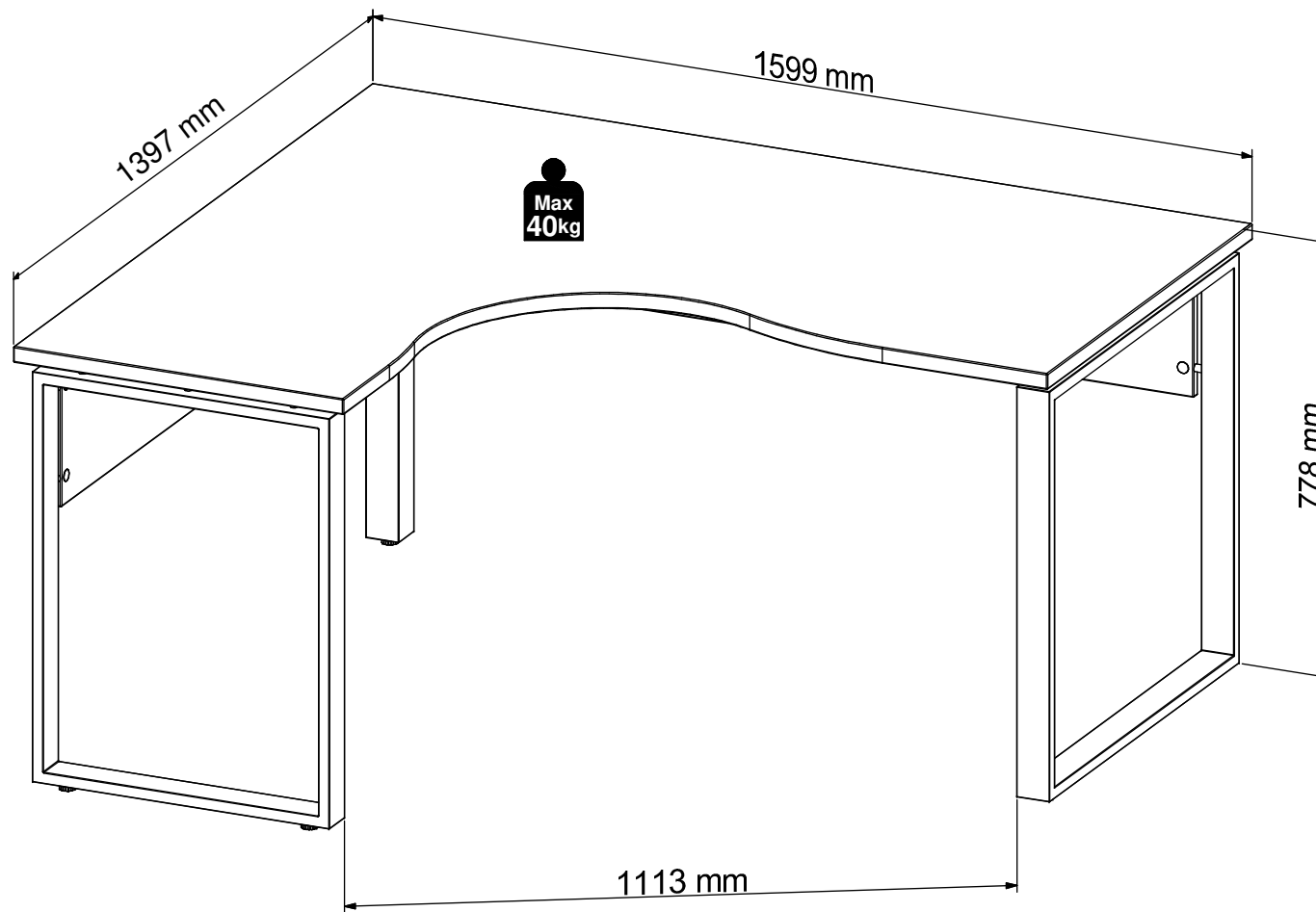
35 min



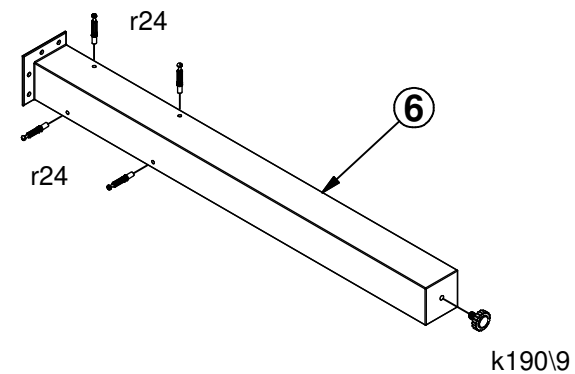
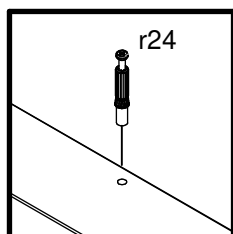
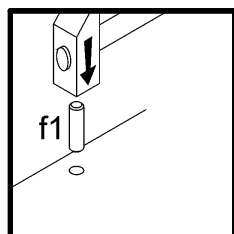
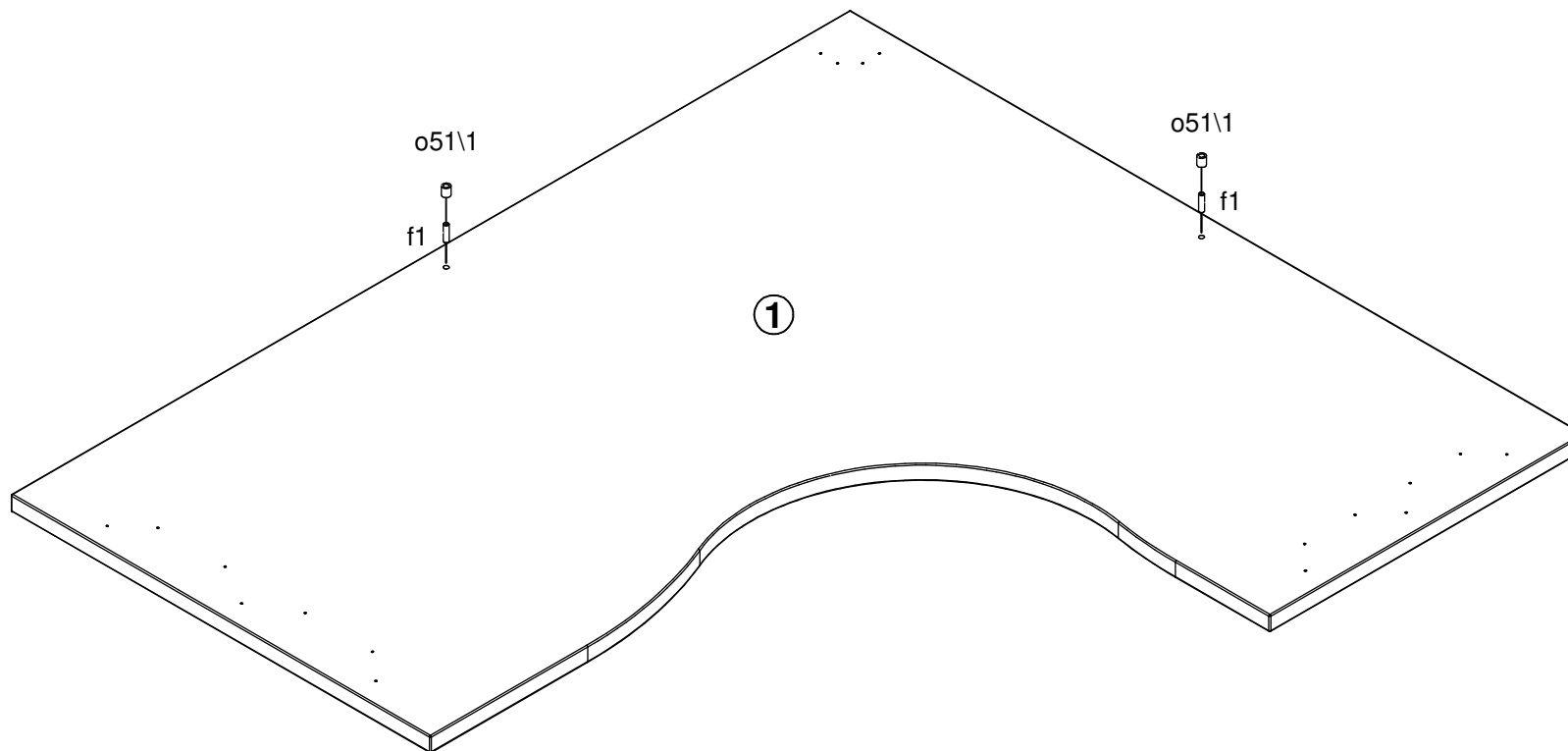
A	B1	B2	C1	C2	C3	D
1	S643-2101	-	1600	1400	28	1/3
2	S643-4100	-	1410	260	16	2/3
3	S643-4101	-	1210	260	16	2/3
4	k190_10	-.2	720	740	60	3/3
5	k190_11	-.2	720	540	60	3/3
6	k190_12	-.2	735	80	80	3/3
7	k190_5	-.3	500	35	30	3/3
8	k190_6	-.4	340	35	30	3/3

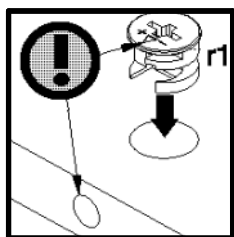
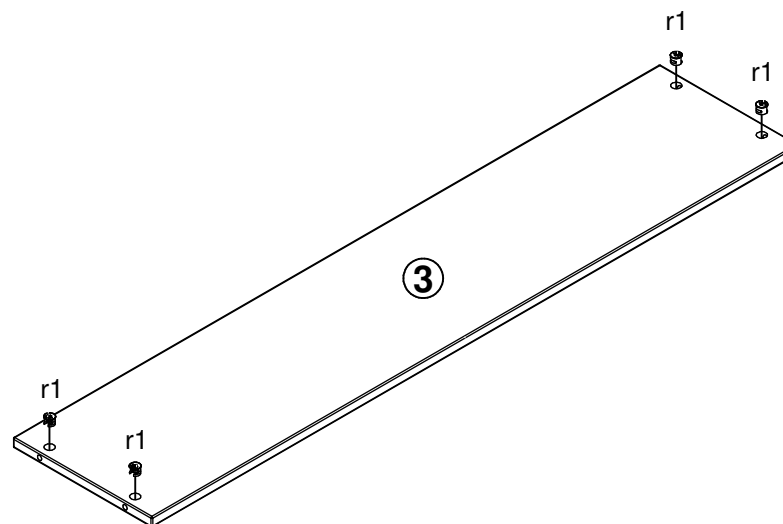
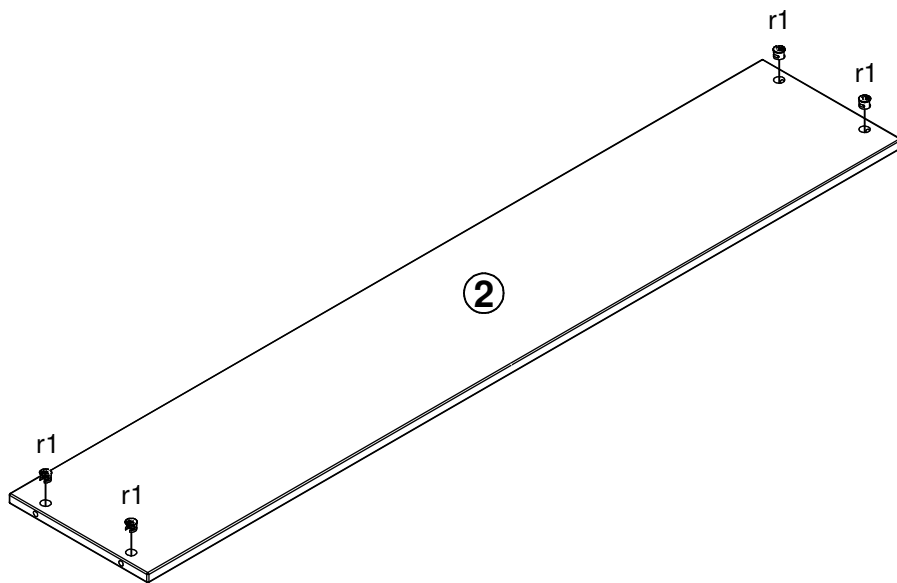
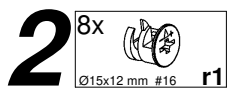


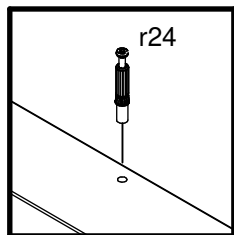
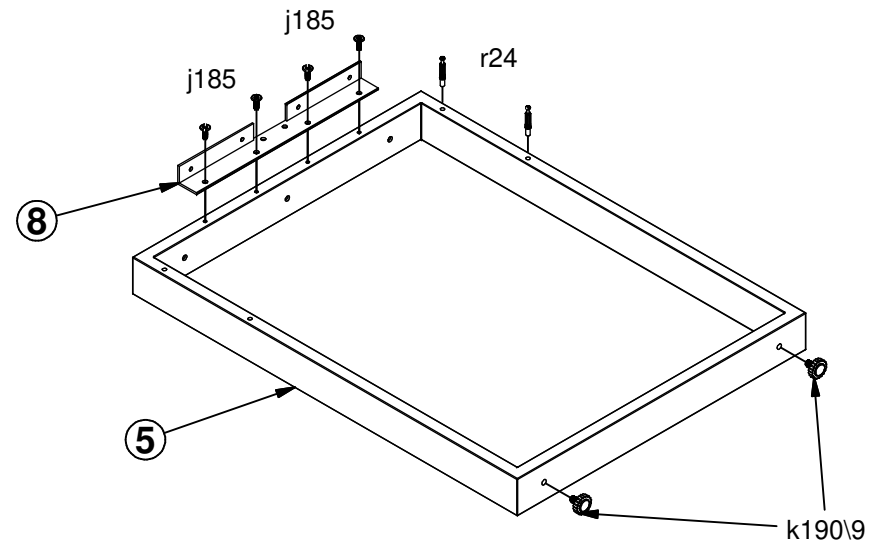
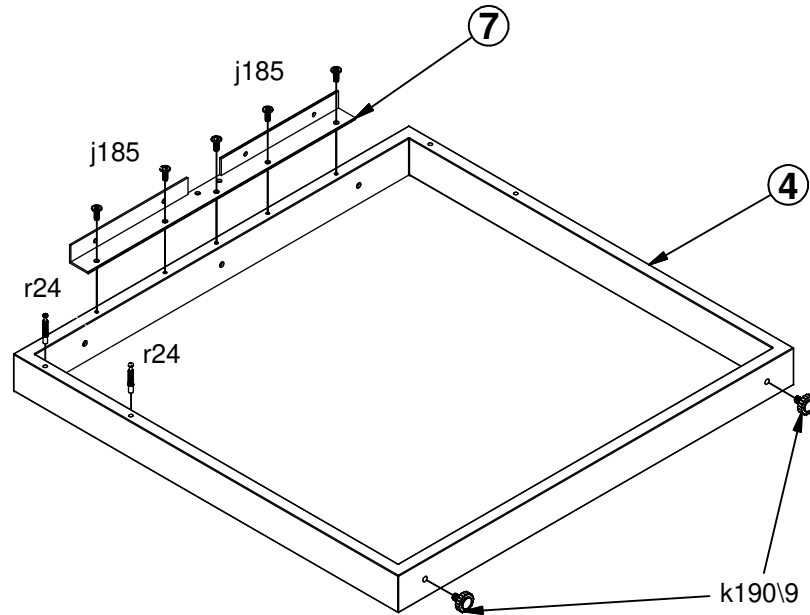
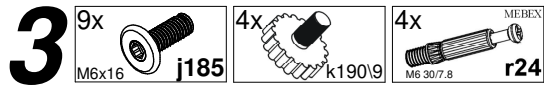


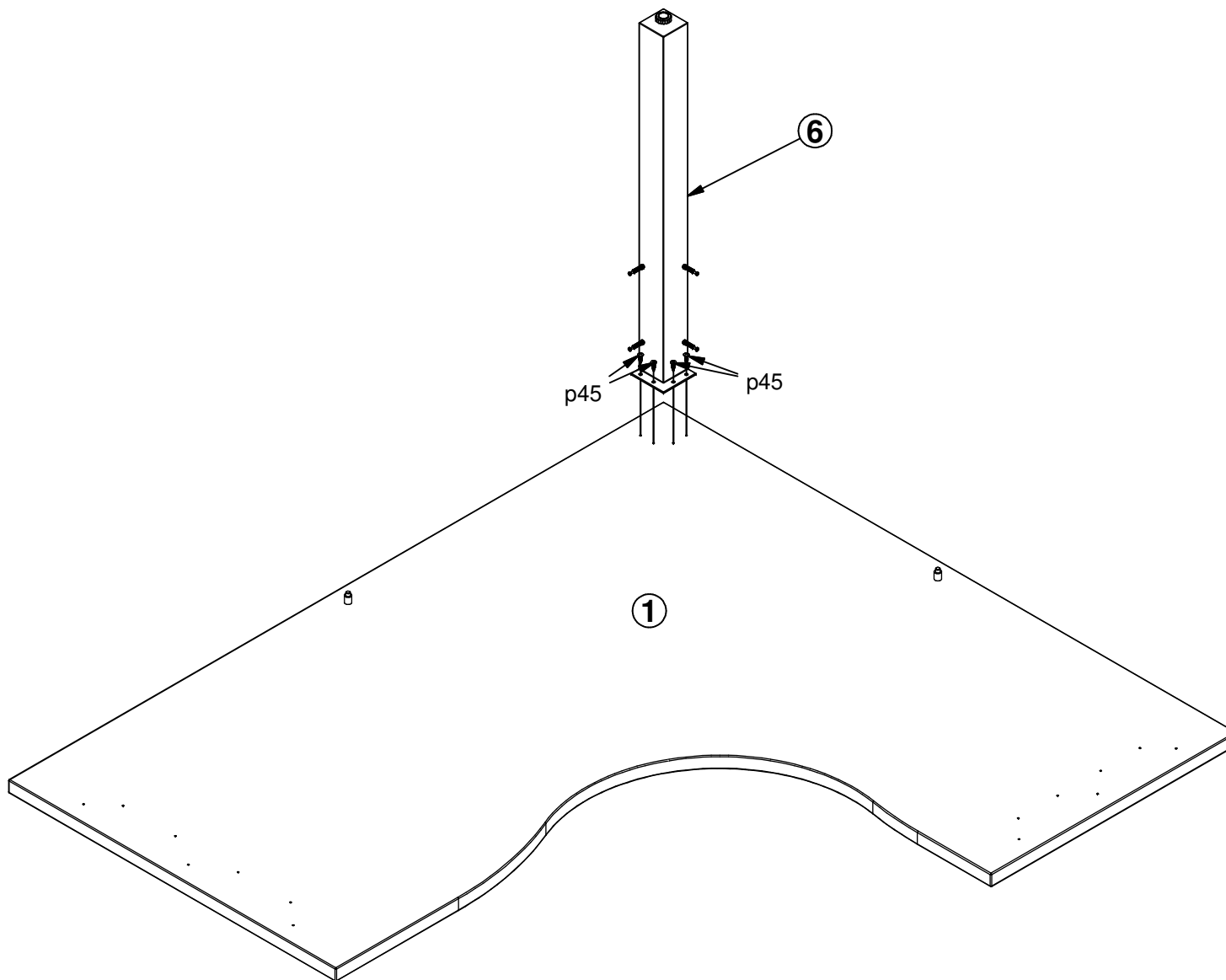
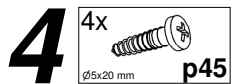


- 1 2x Ø8x30 mm f1
- 1x k190/9
- 2x Ø13x15x8 mm o51\1
- 4x M6 30/7.8 r24



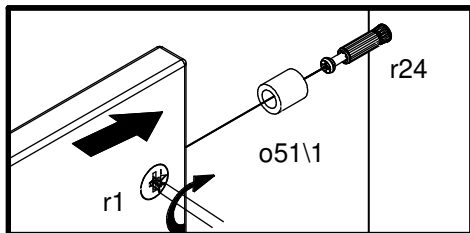
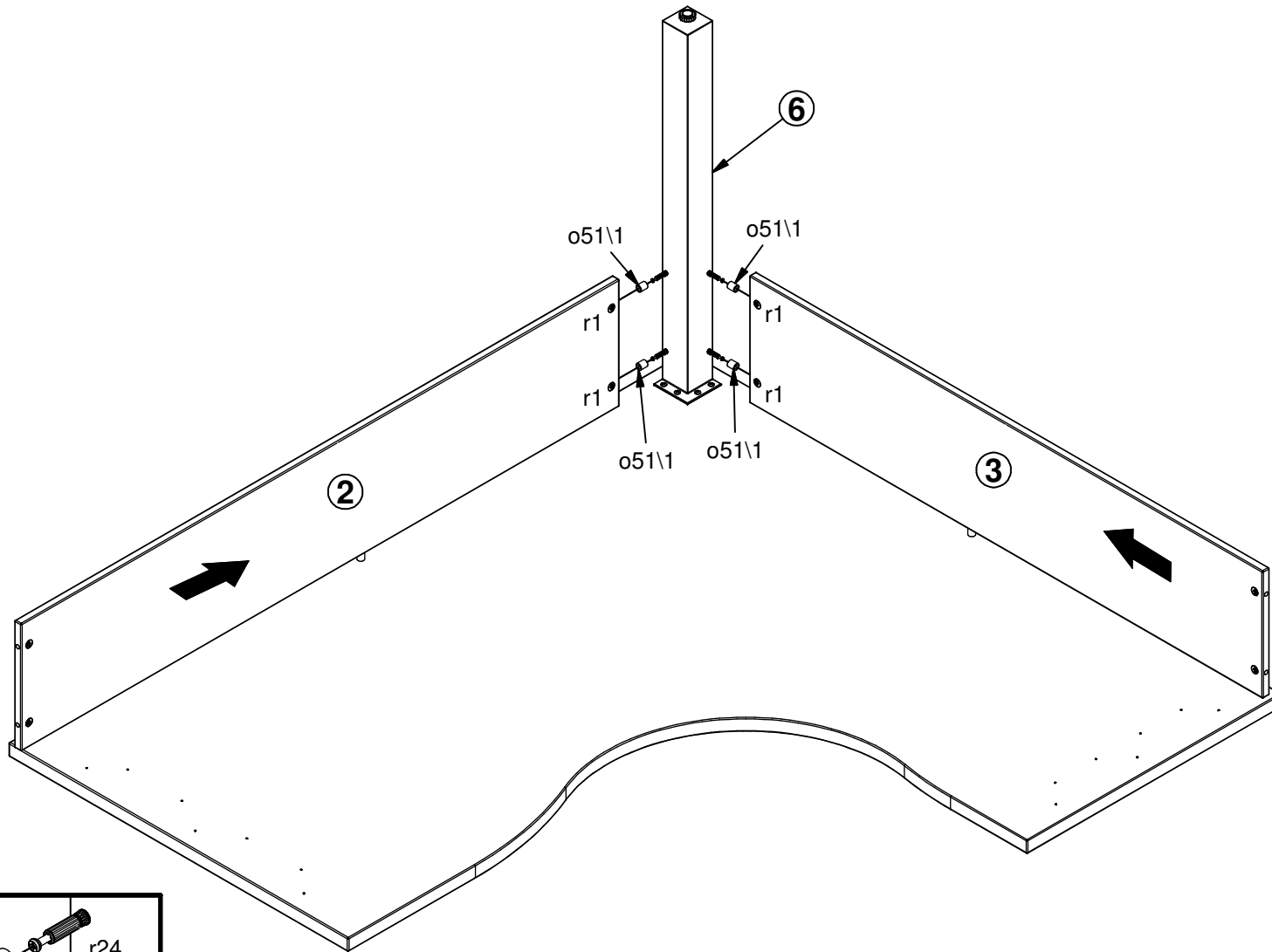


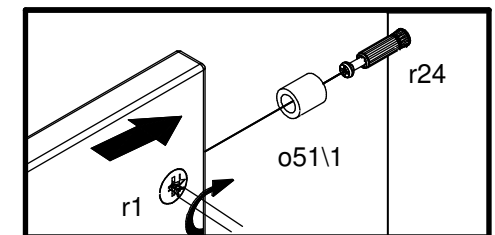
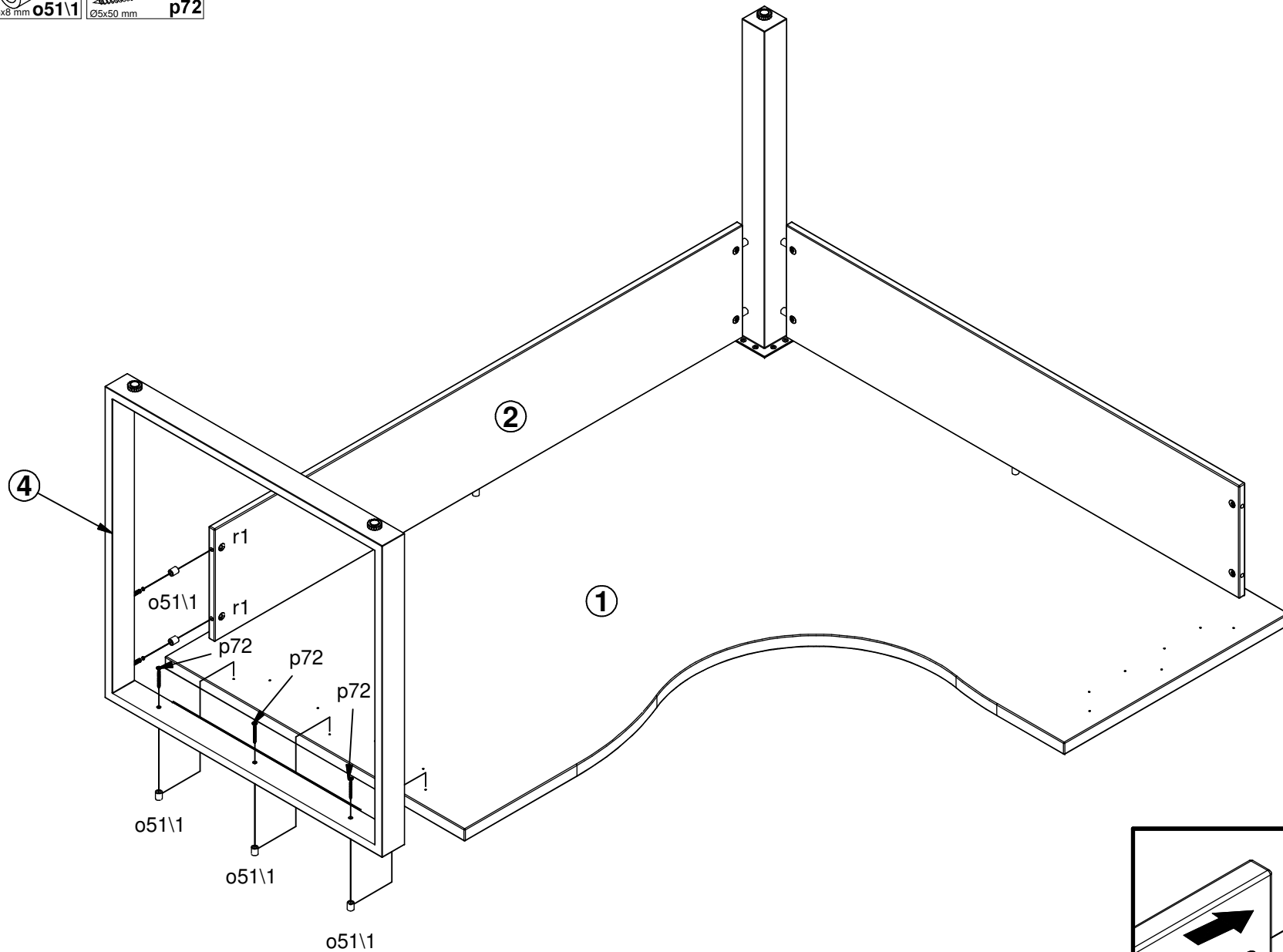
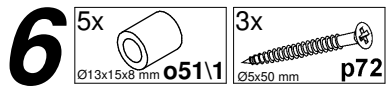


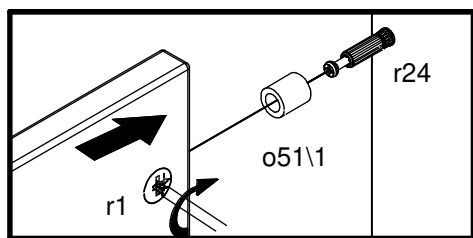
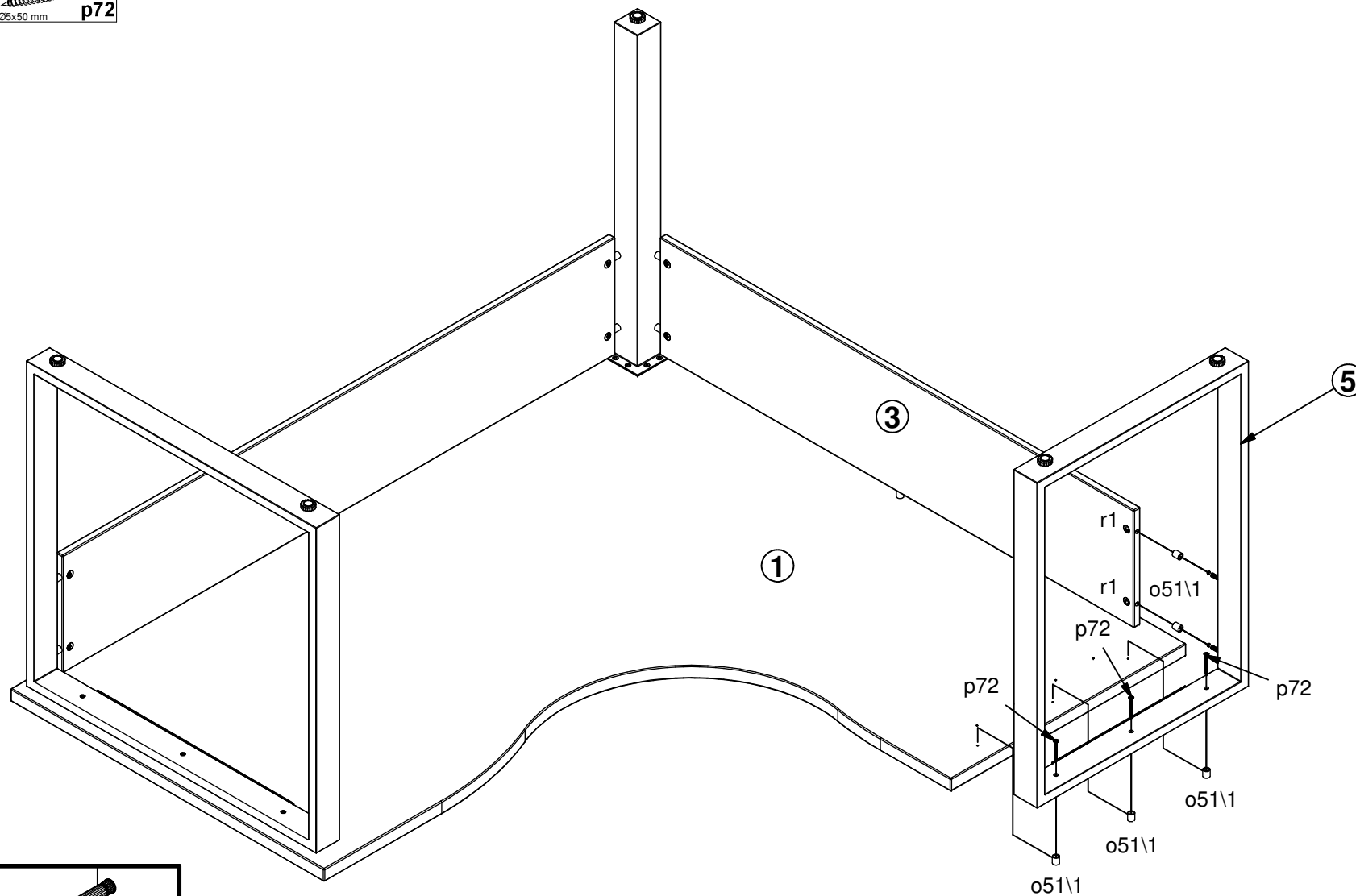
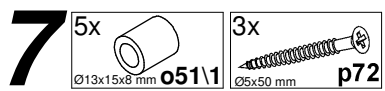


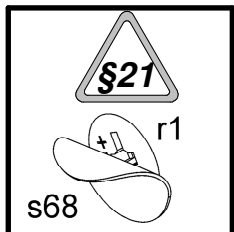
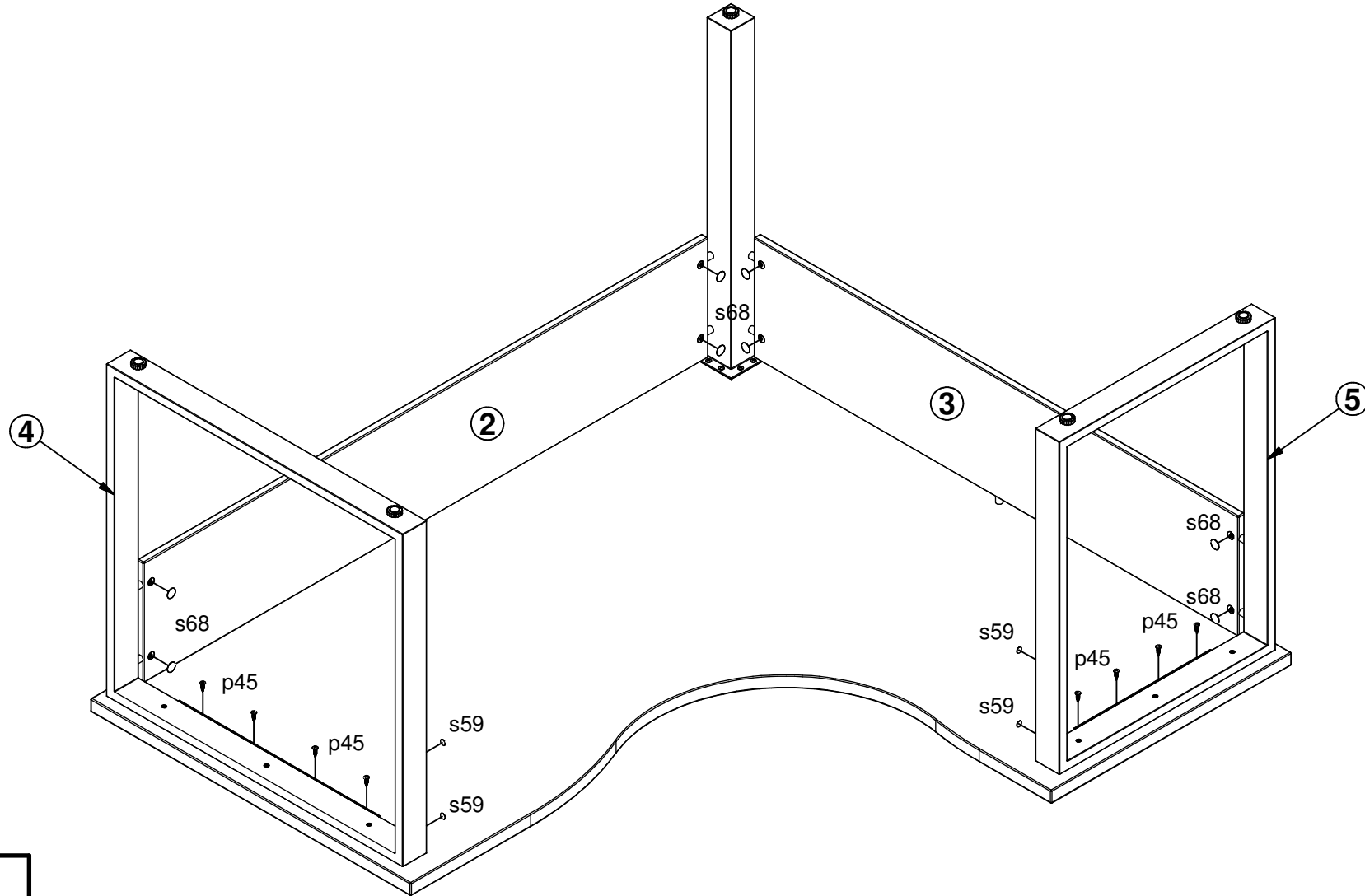
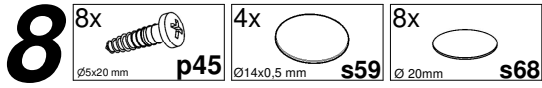


5 4x  
Ø13x15x8 mm o51\1









9

