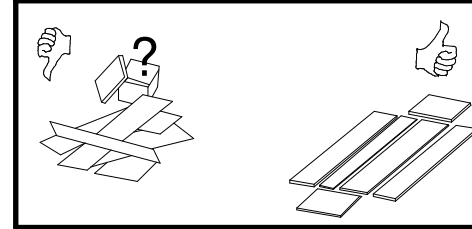
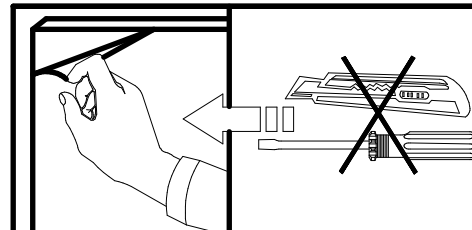
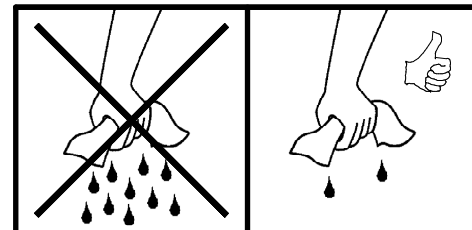
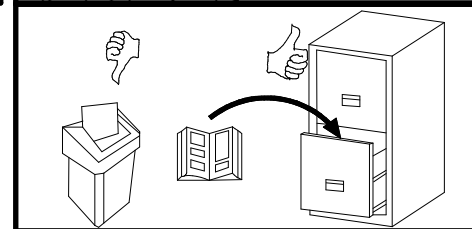
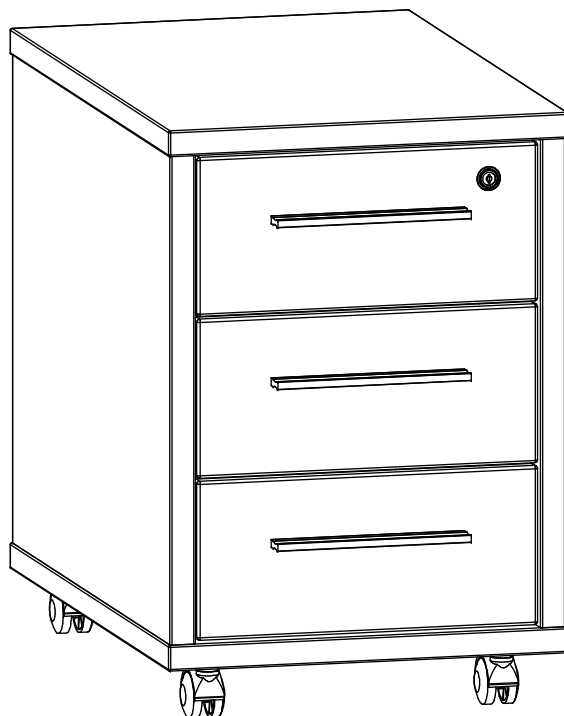
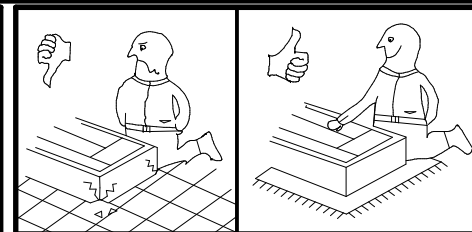
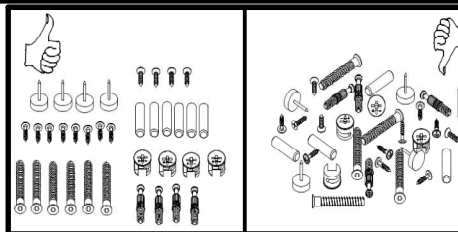
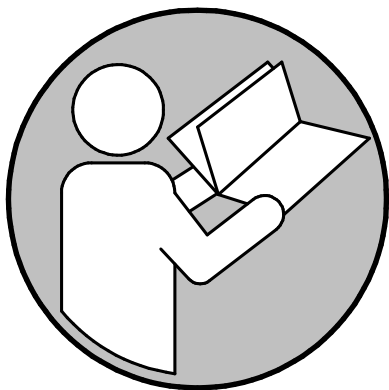
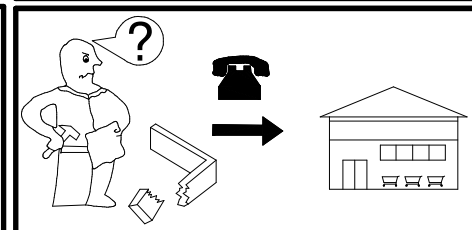
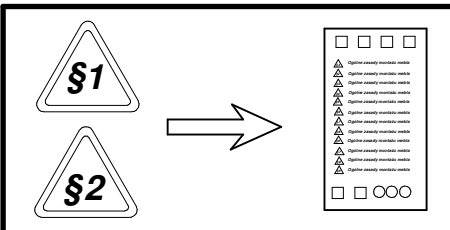
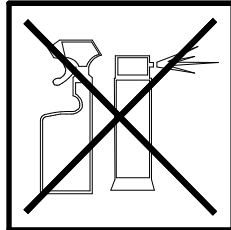
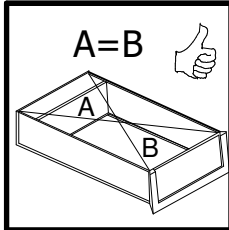
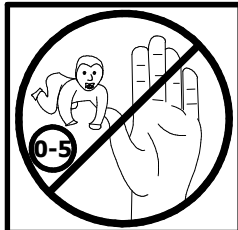
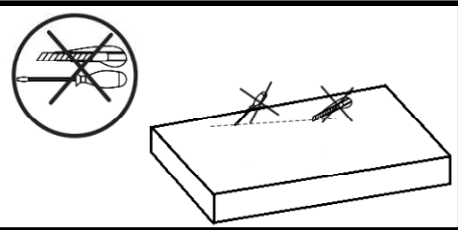
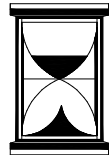
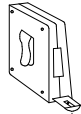
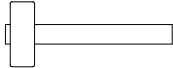
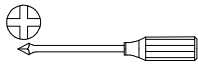
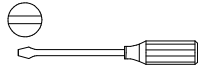
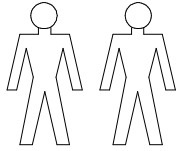


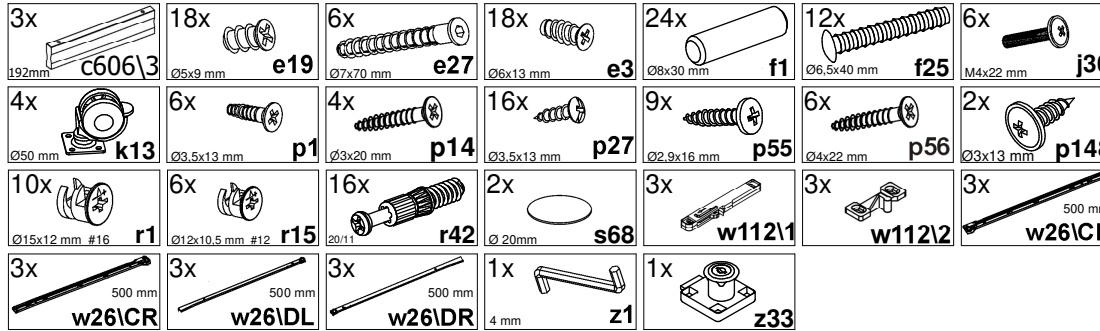
A**S643-KTN3S****CONNECT**

24270215/27
24270215/28



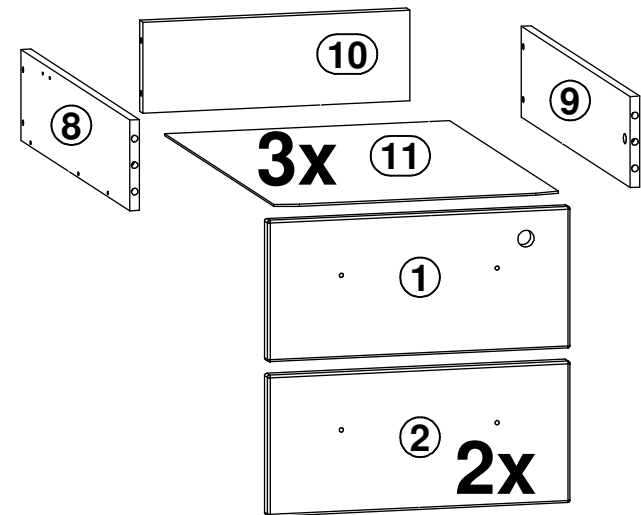
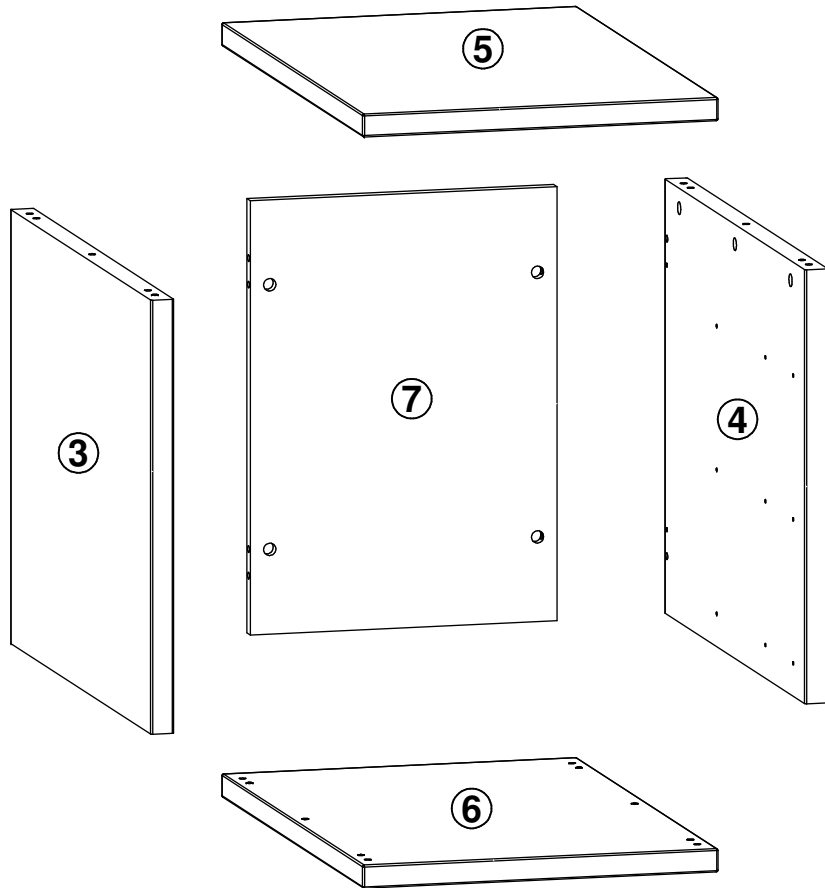


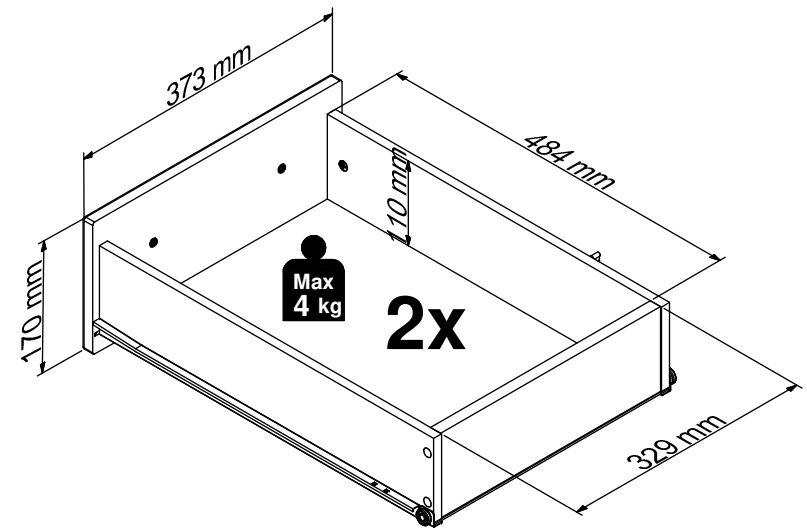
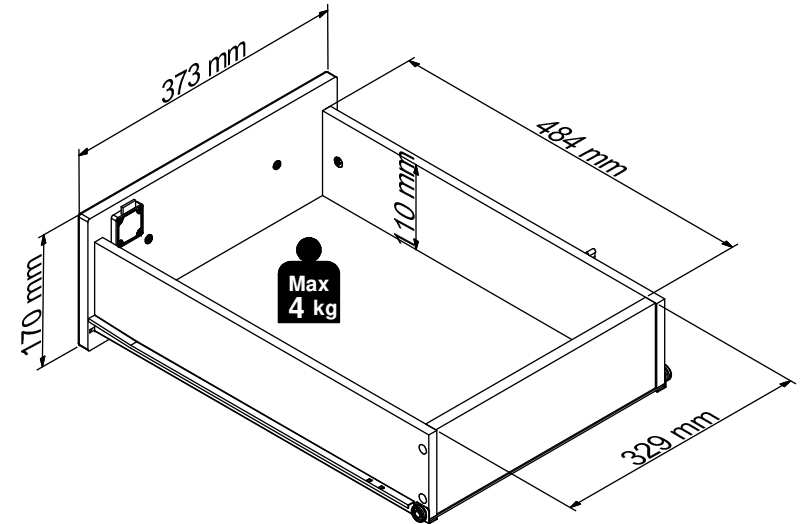
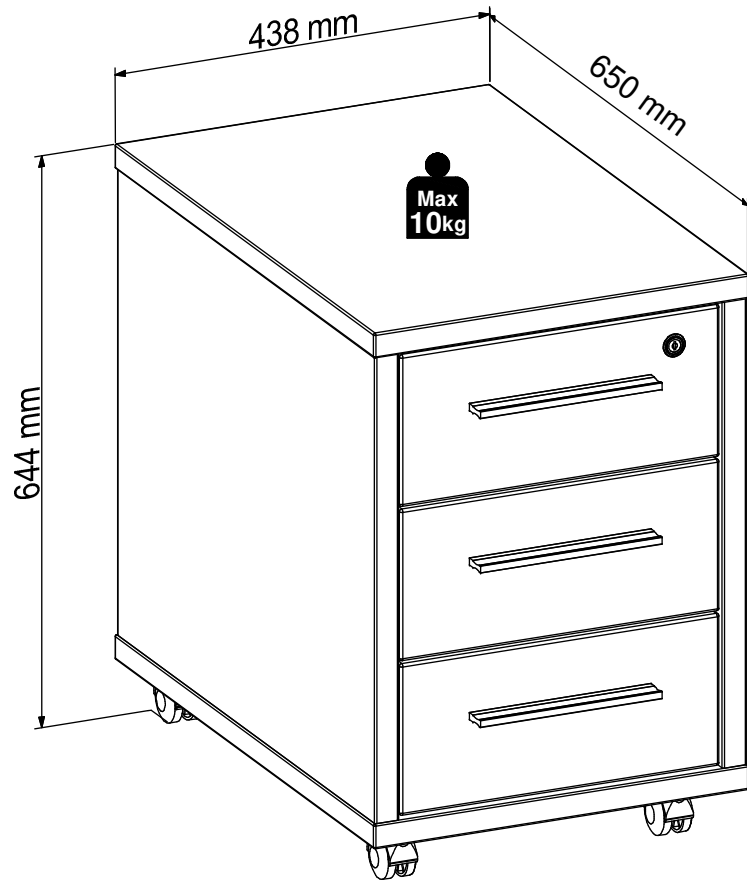
35 min



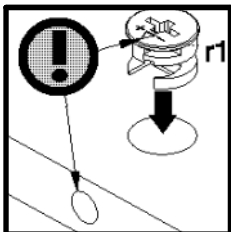
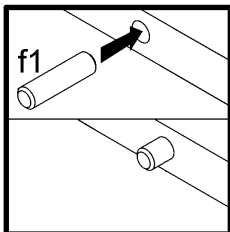
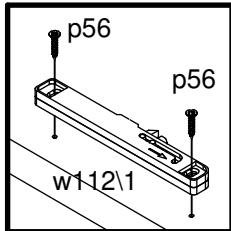
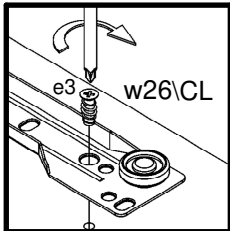
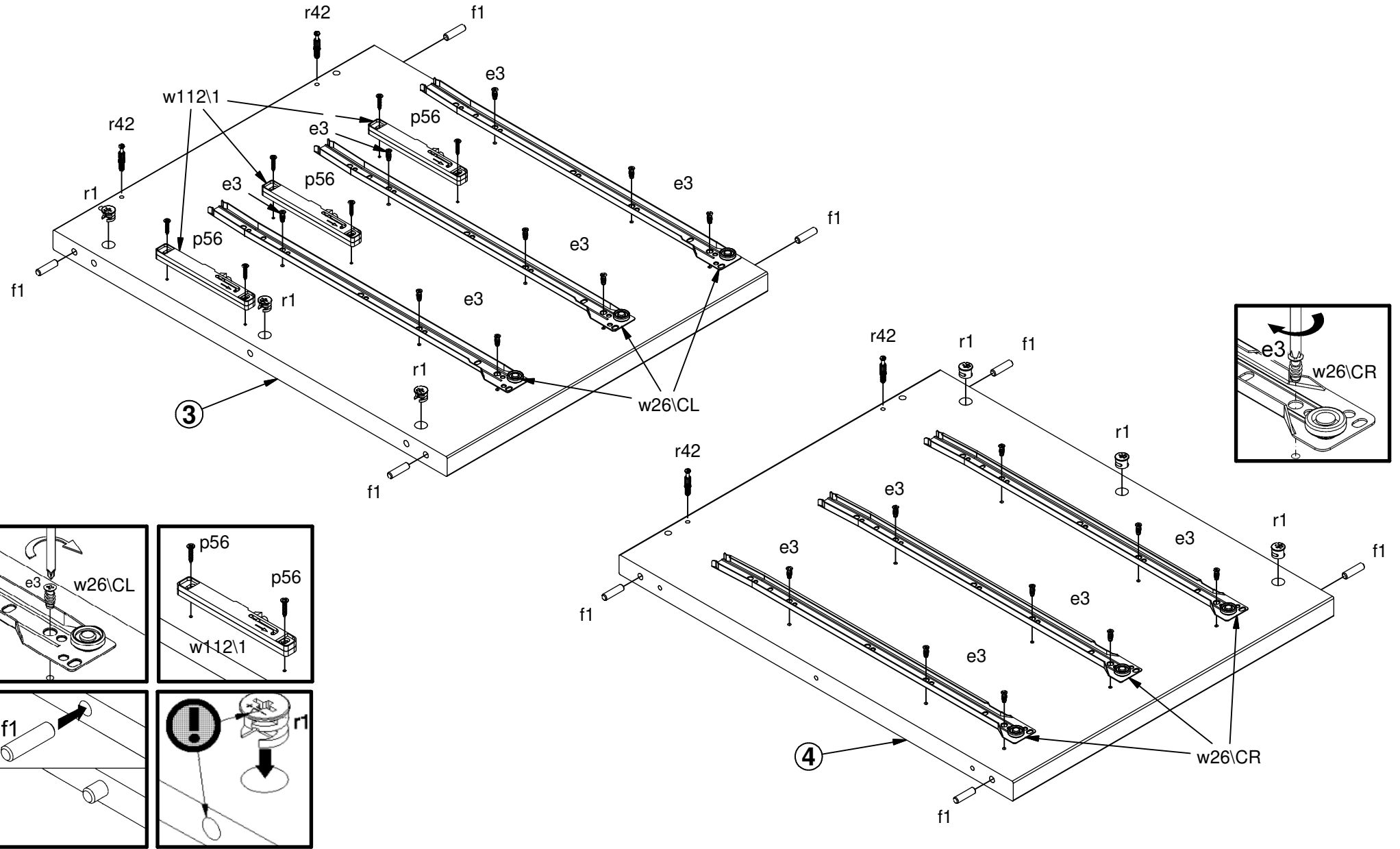
A	B1	B2	C1	C2	C3	D
1	S643-0010	-	373	171	16	1/2
2	S643-0011	-	373	171	16	1/2
3	S643-1014	-	525	646	28	1/2
4	S643-1015	-	525	646	28	1/2
5	S643-2014	-	438	650	28	2/2
6	S643-2015	-	438	650	28	2/2
7	S643-5004	-1	525	378	16	1/2
8	S643-5005	-	500	110	12	2/2
9	S643-5006	-	500	110	12	2/2
10	STR-5053	-	329	110	15	2/2
11	WDF-9106	-	351	508	2,5	2/2

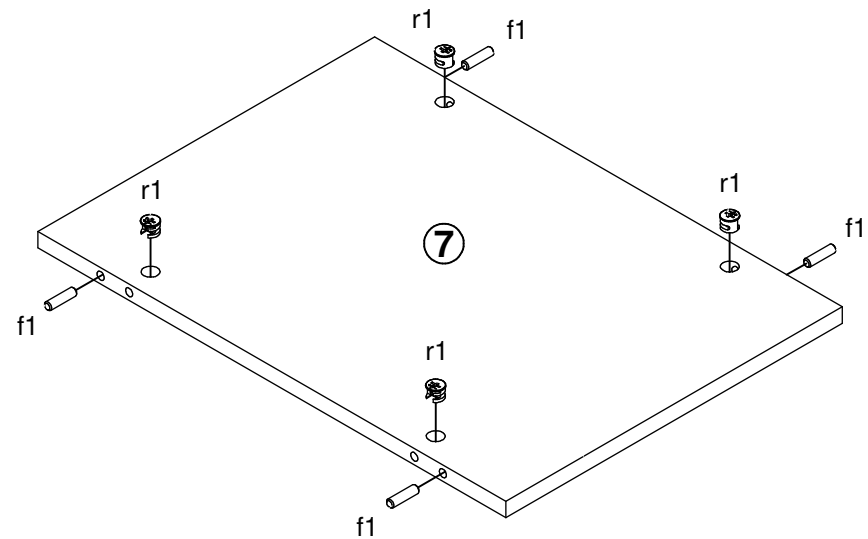
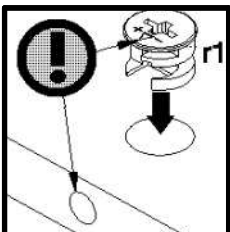
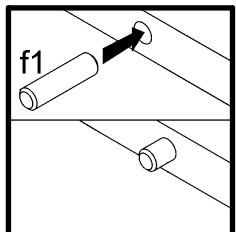
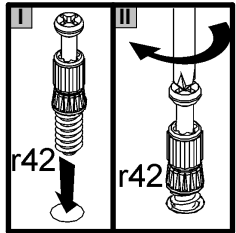
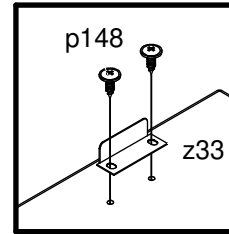
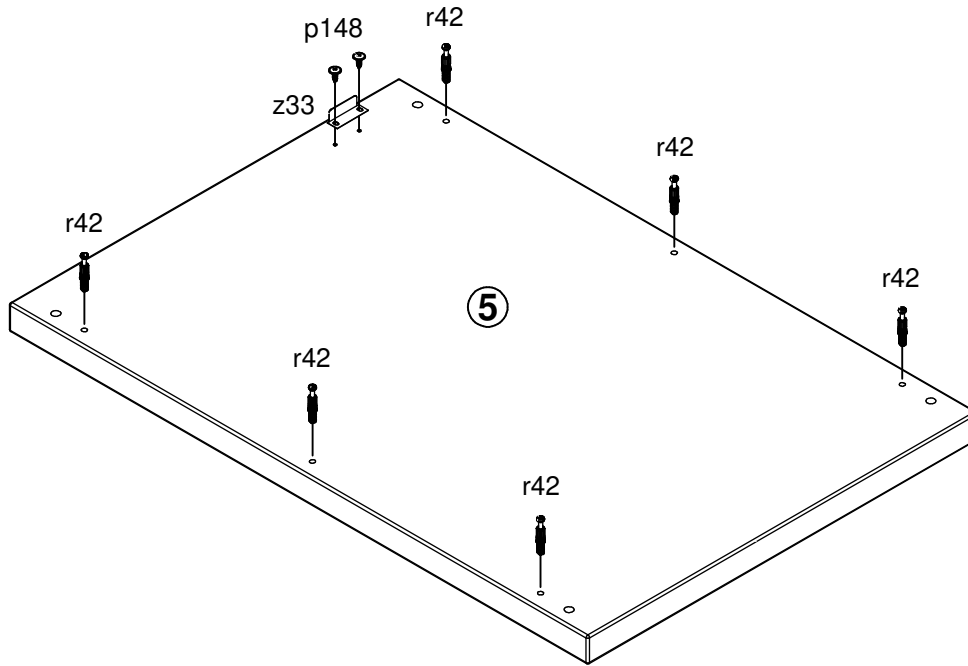
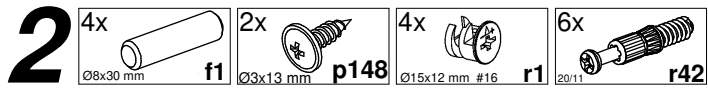




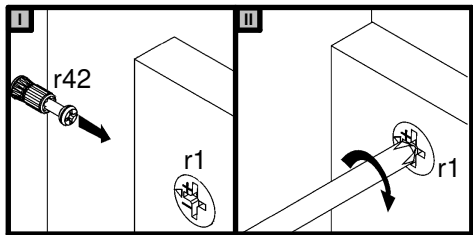
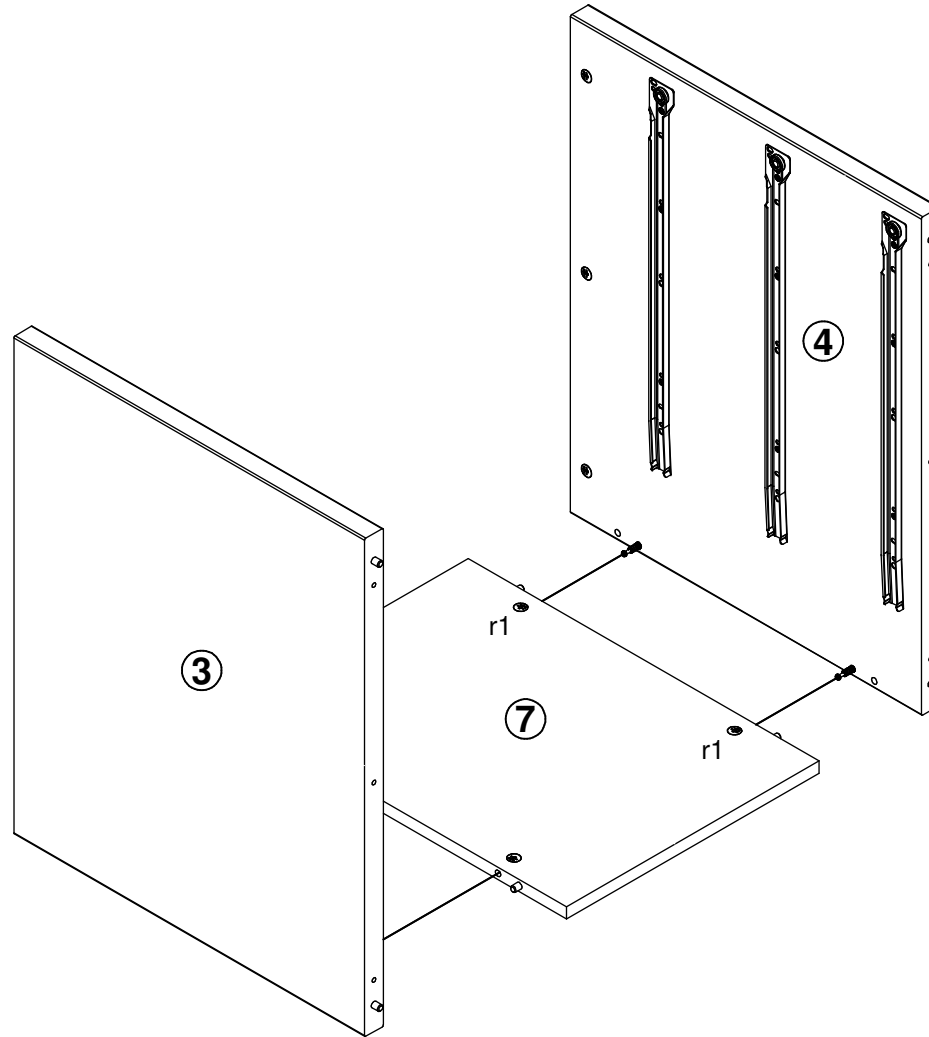


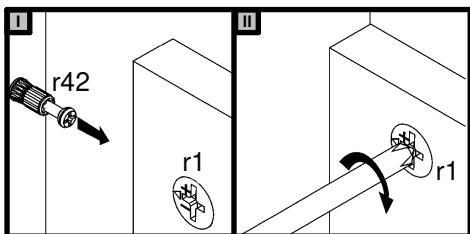
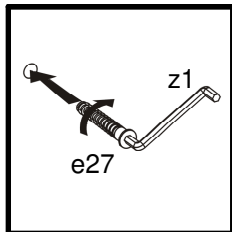
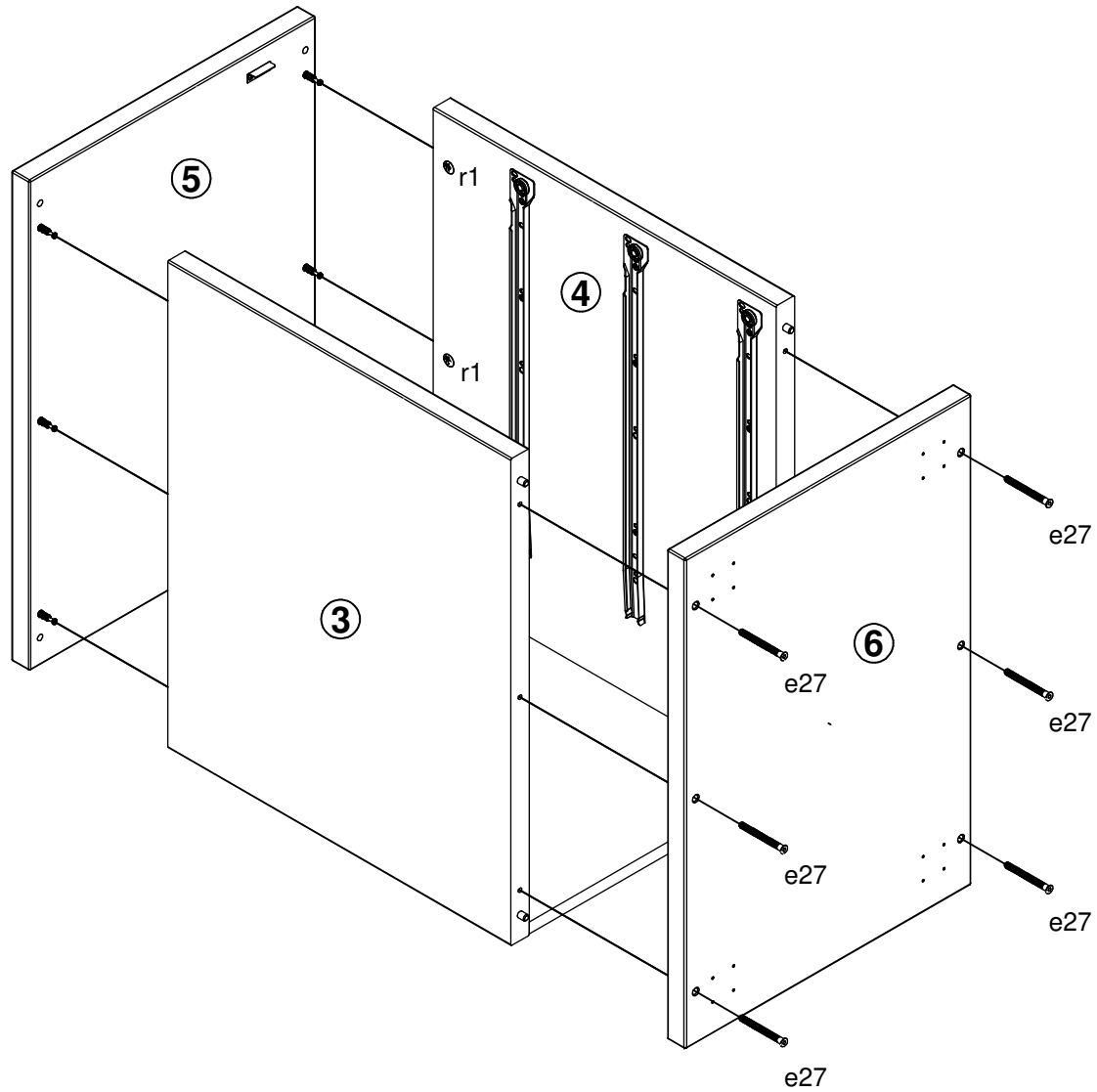
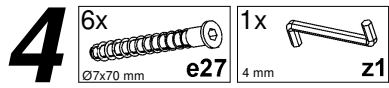
- 1** 18x e3 $\varnothing 6 \times 13 \text{ mm}$
- 8x f1 $\varnothing 8 \times 30 \text{ mm}$
- 6x p56 $\varnothing 4 \times 22 \text{ mm}$
- 6x r1 $\varnothing 15 \times 12 \text{ mm} \#16$
- 4x r42 $20/11$
- 3x w112\1
- 3x w26\CL 500 mm
- 3x w26\CR 500 mm





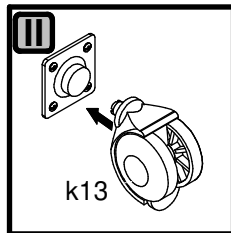
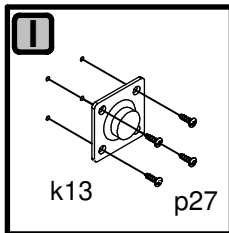
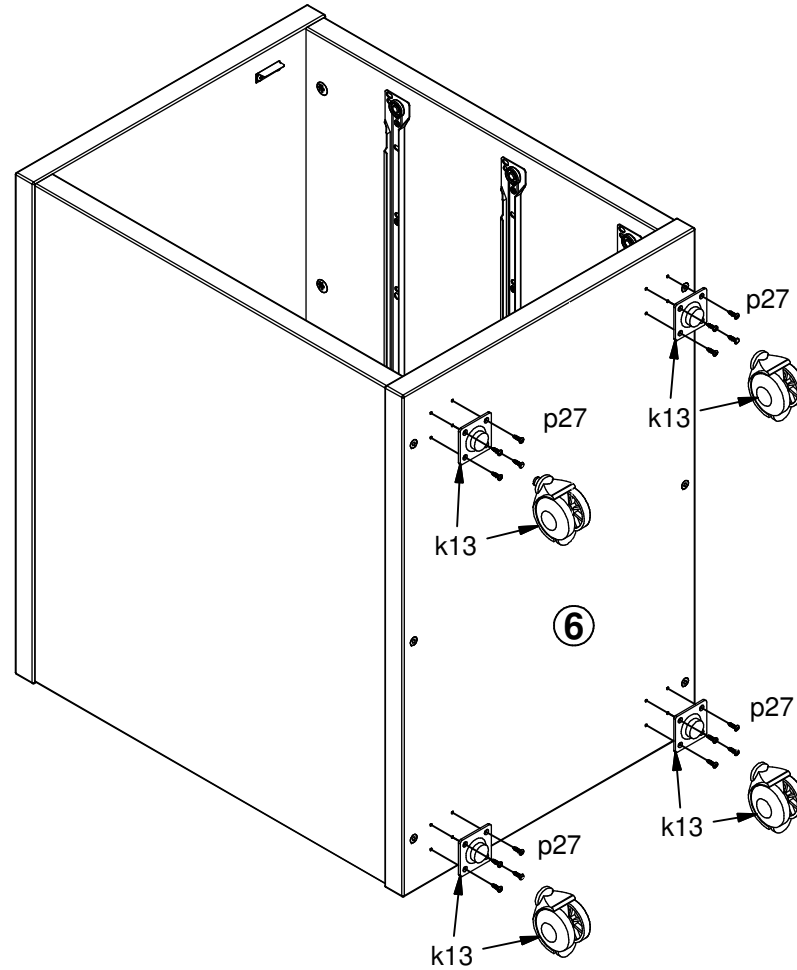
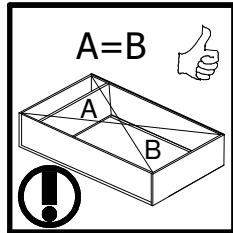


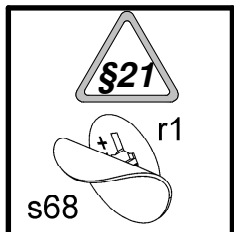
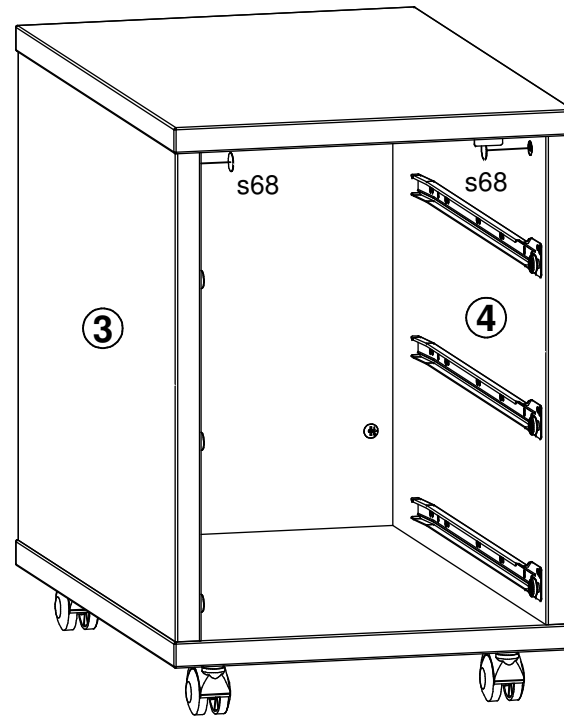
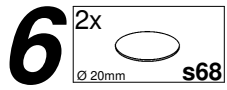
3

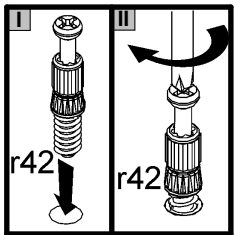
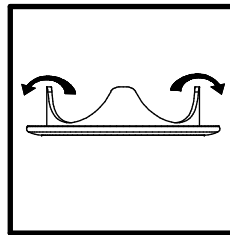
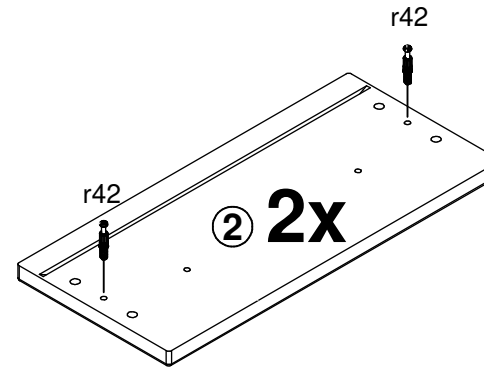
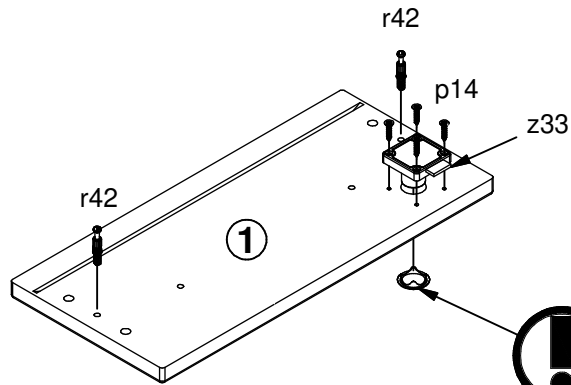
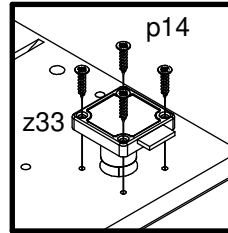
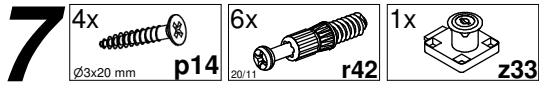




- 5 4x  k13 Ø50 mm
- 16x  p27 Ø3,5x13 mm



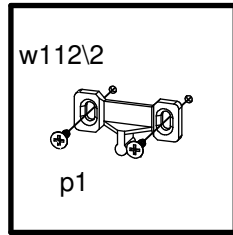
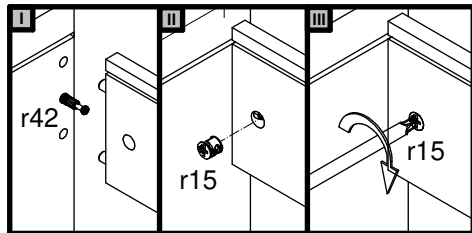
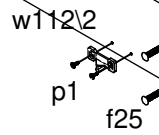
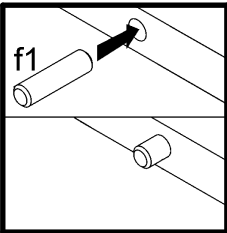
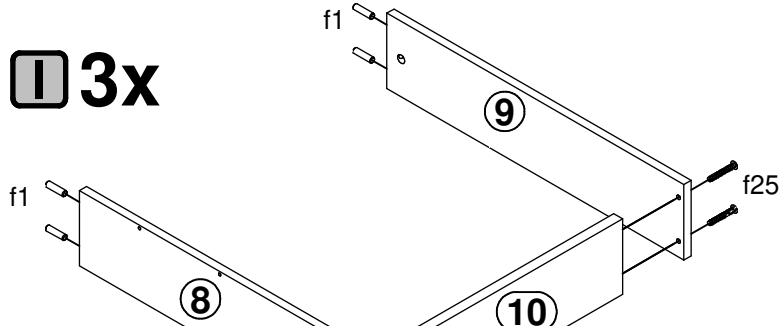




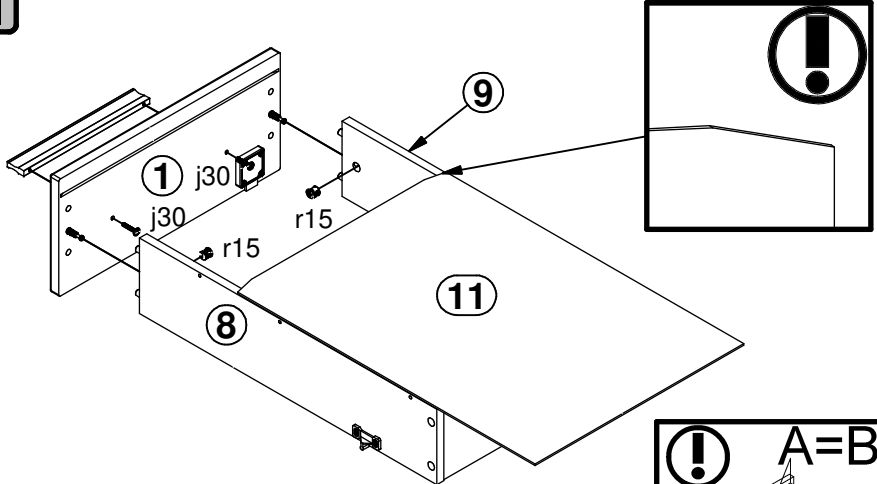
- 8**
 3x
 1,92mm
c606\3
- 18x
 Ø5x9 mm
e19
- 12x
 Ø8x30 mm
f1
- 12x
 Ø6,5x40 mm
f25
- 6x
 M4x22 mm
j30
- 6x
 Ø3,5x13 mm
p1
- 9x
 Ø2,9x16 mm
p55
- 6x
 Ø12x10,5 mm #12
r15
- 3x
w112\2
- 3x
 500 mm
w26\DL
- 3x
 500 mm
w26\DR



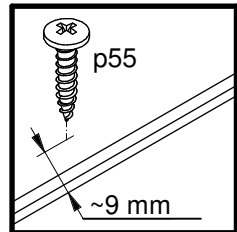
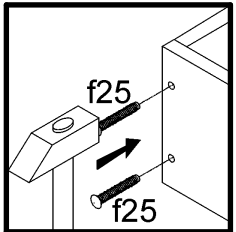
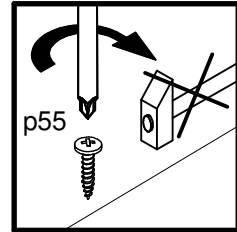
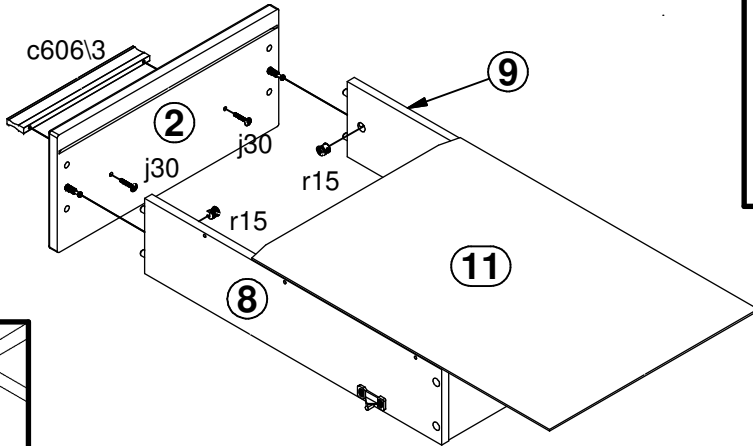
I 3x



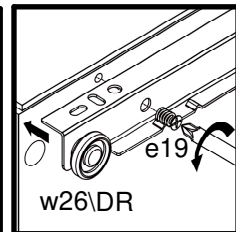
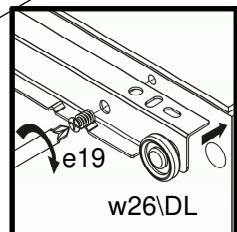
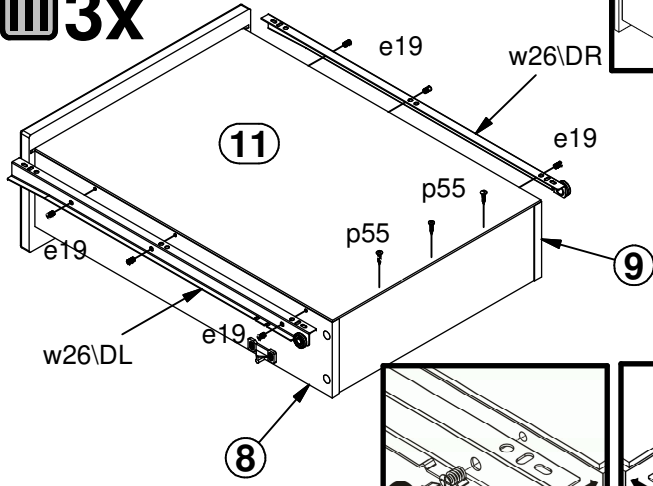
II



III 2x



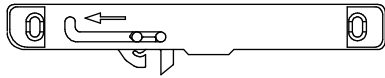
III 3x



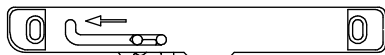
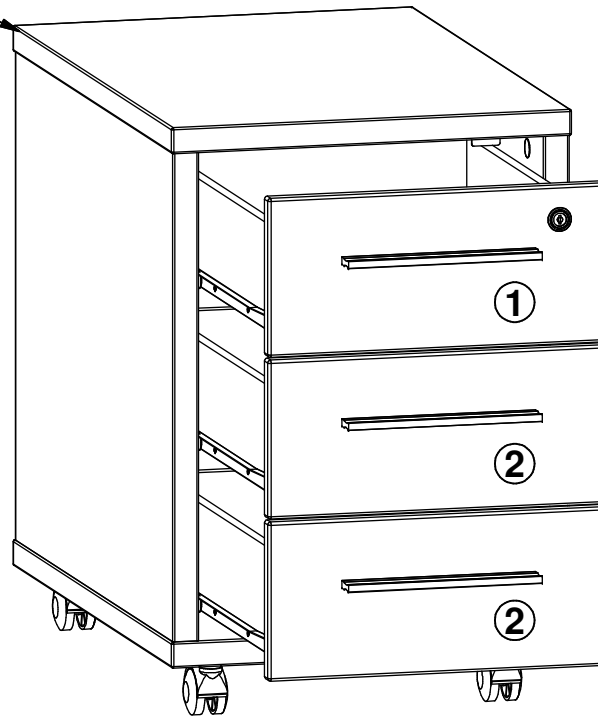
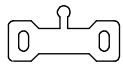
9



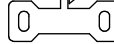
w112\1



w112\2



w112\1



w112\2