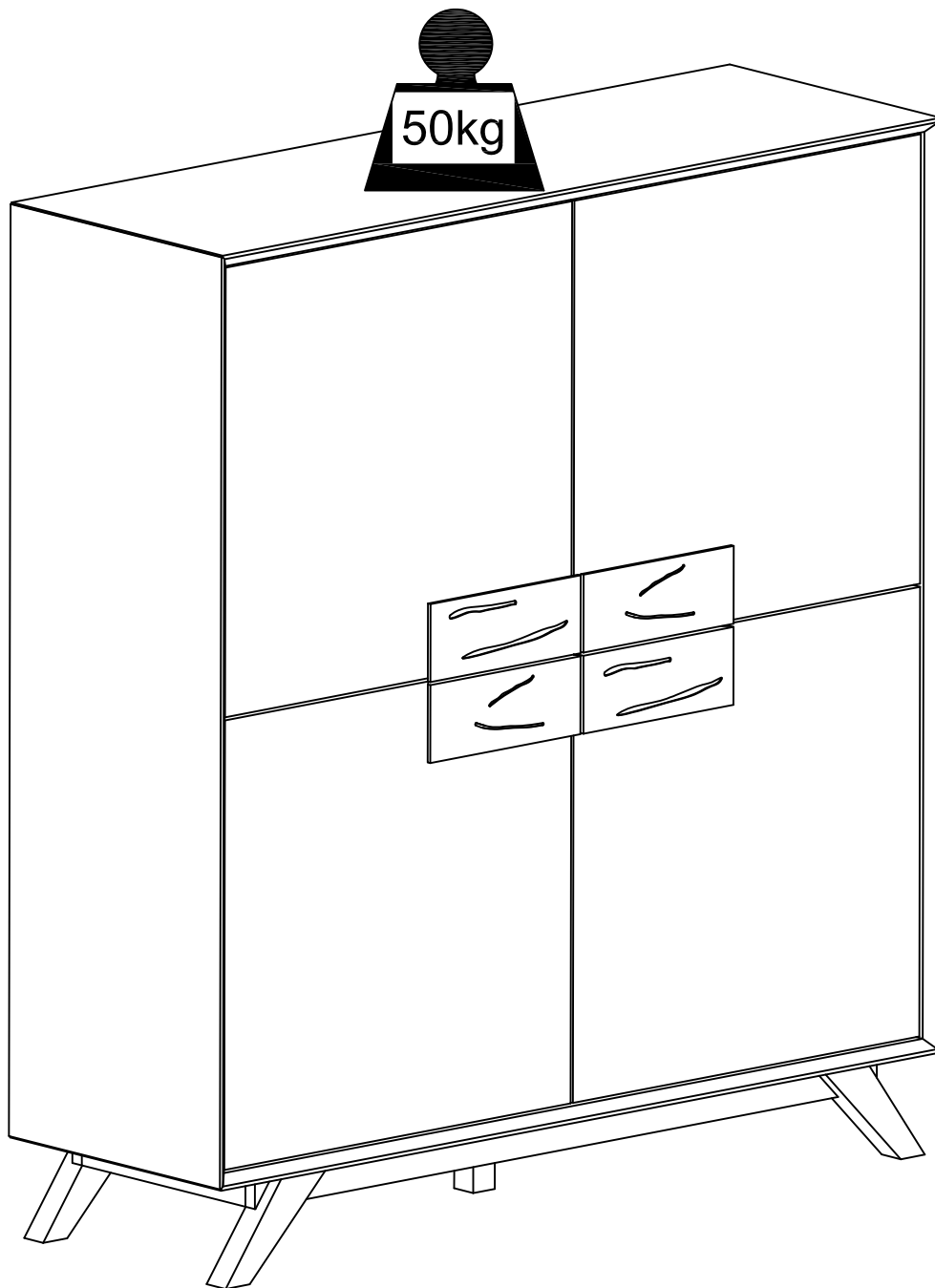


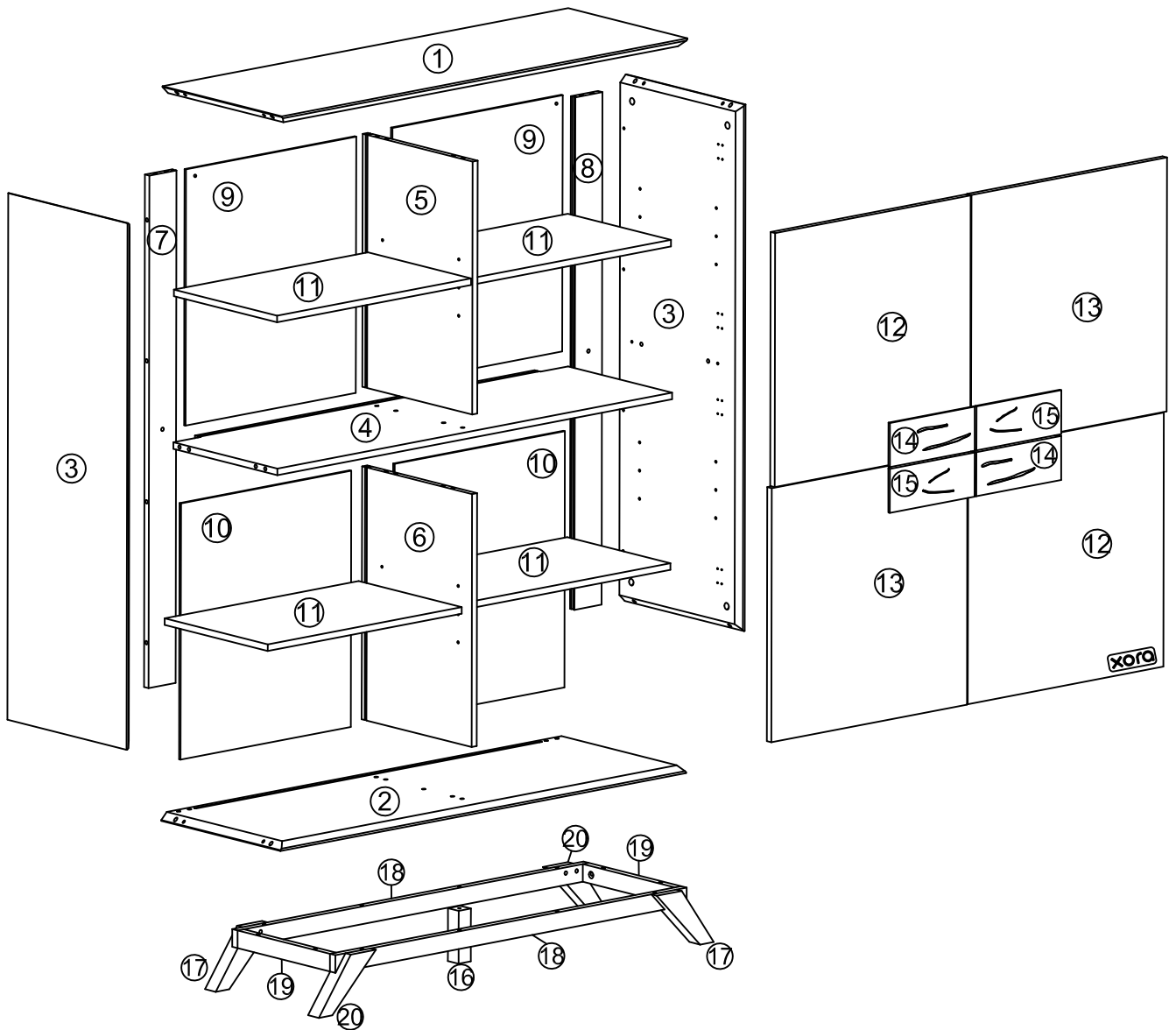
# Assemble instruction

## Moove

27980006/04

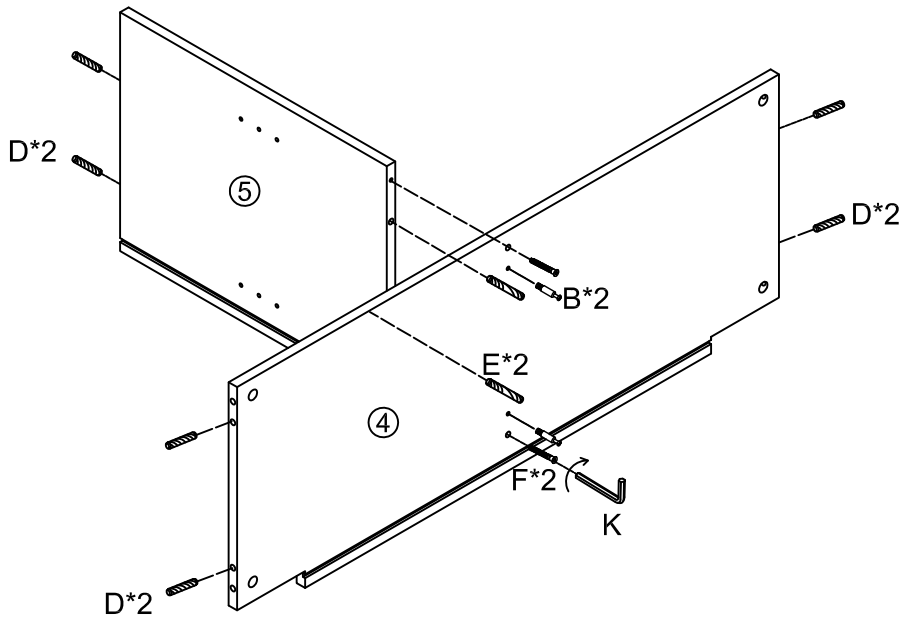
1215975

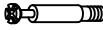






<p><b>2 PERSONEN</b></p>		<p>60 min</p>													
A	x8	B	x24	C	x40	D	x8	E	x2	F	x11	G	x64	H	x16
M6*35mm		ø15mm		ø8*30mm		ø8*50mm		M7*50mm		ø3.5*14mm		M6*20mm			
I	x8	J	x12	K	x1	L	x8	M	x28	N	x16	O	x16	P	x2
M6*30mm		M6*40mm		4#		ø20									
Q	x2	R	x2	S	x1	T	x8	U	x4	V	x8				
M4*45mm		ø6*25mm													


1




B	x2
	
M6*35mm	

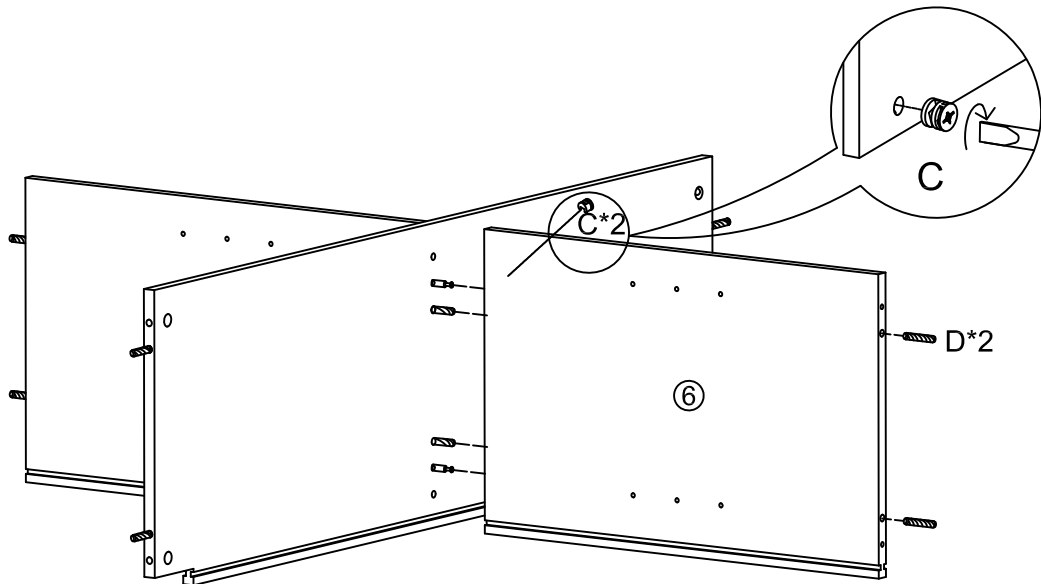
D	x6
	
ø8*30mm	


E	x2
	
ø8*50mm	

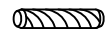
F	x2
	
M7*50mm	

K	x1
	

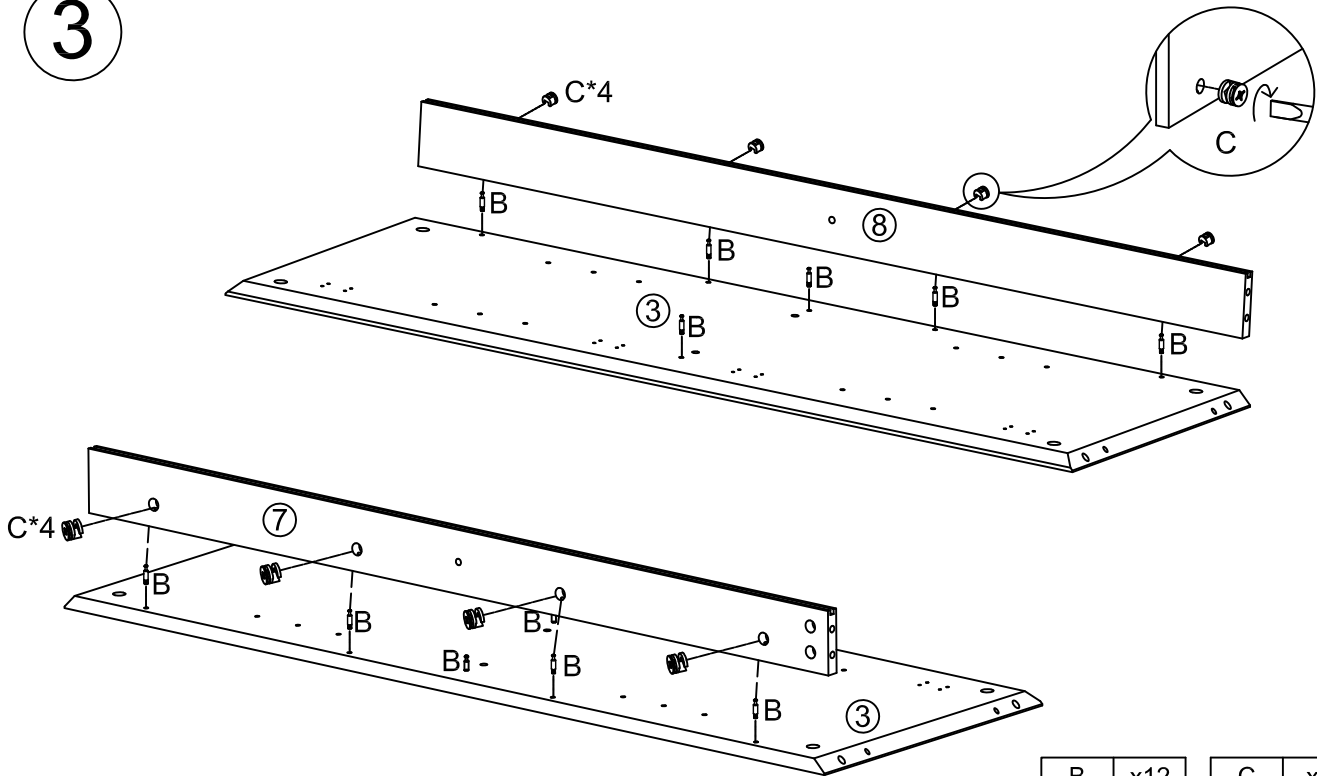
2

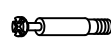



C	x2
	
ø15mm	

D	x2
	
ø8*30mm	

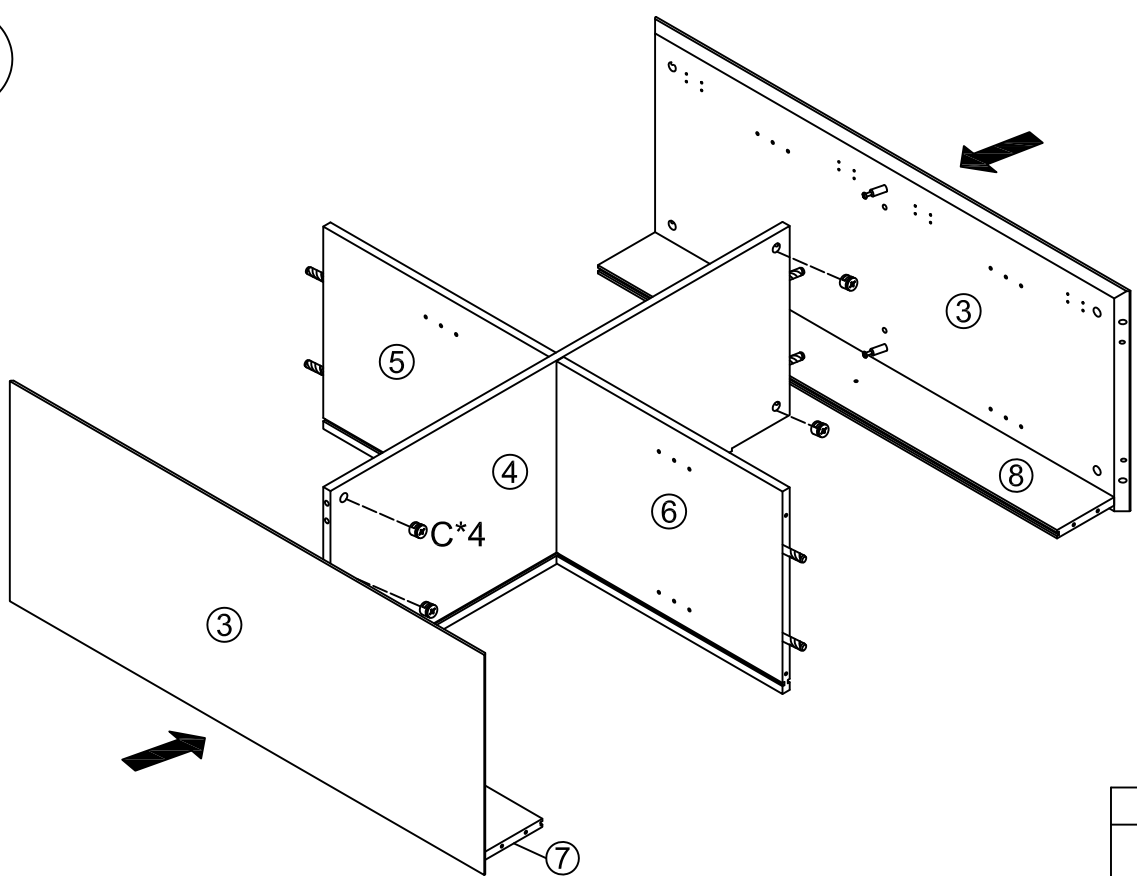
3




B	x12
	
M6*35mm	

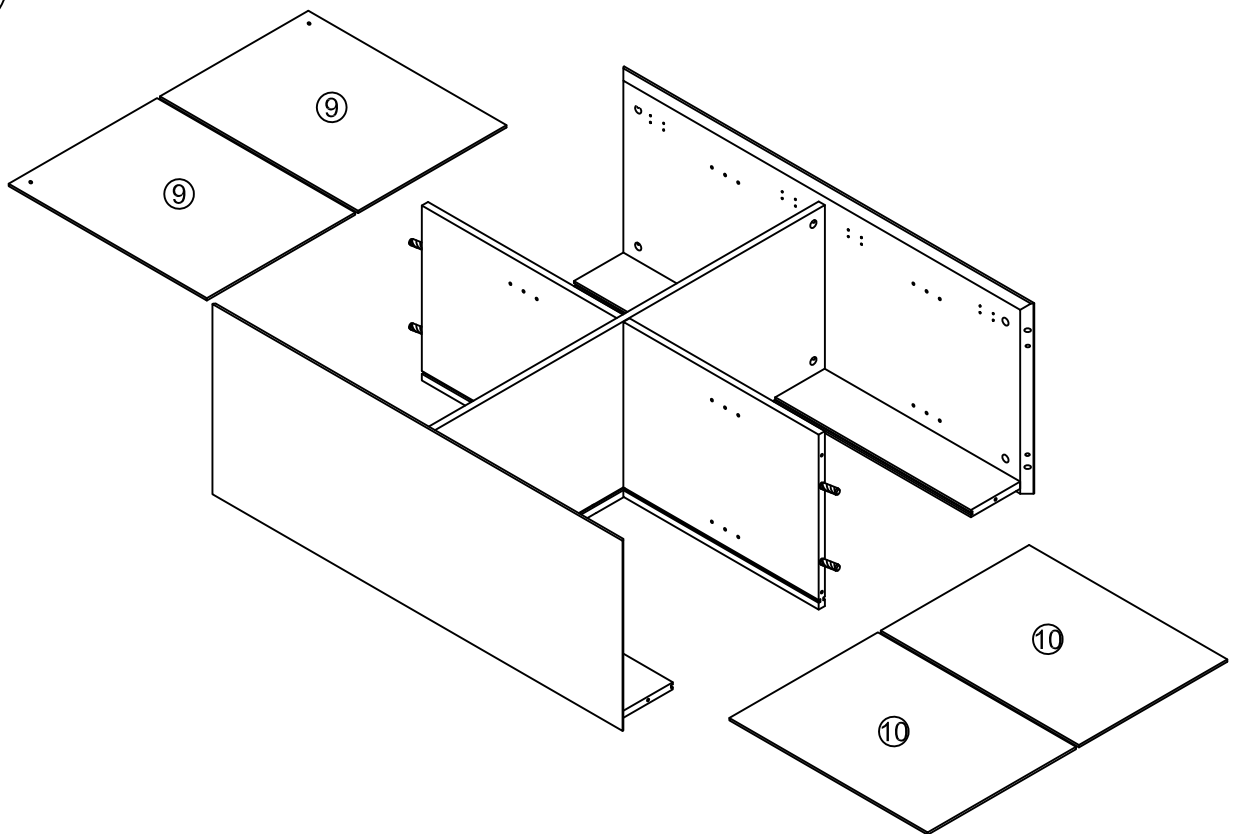
C	x8
	
Ø15mm	

4

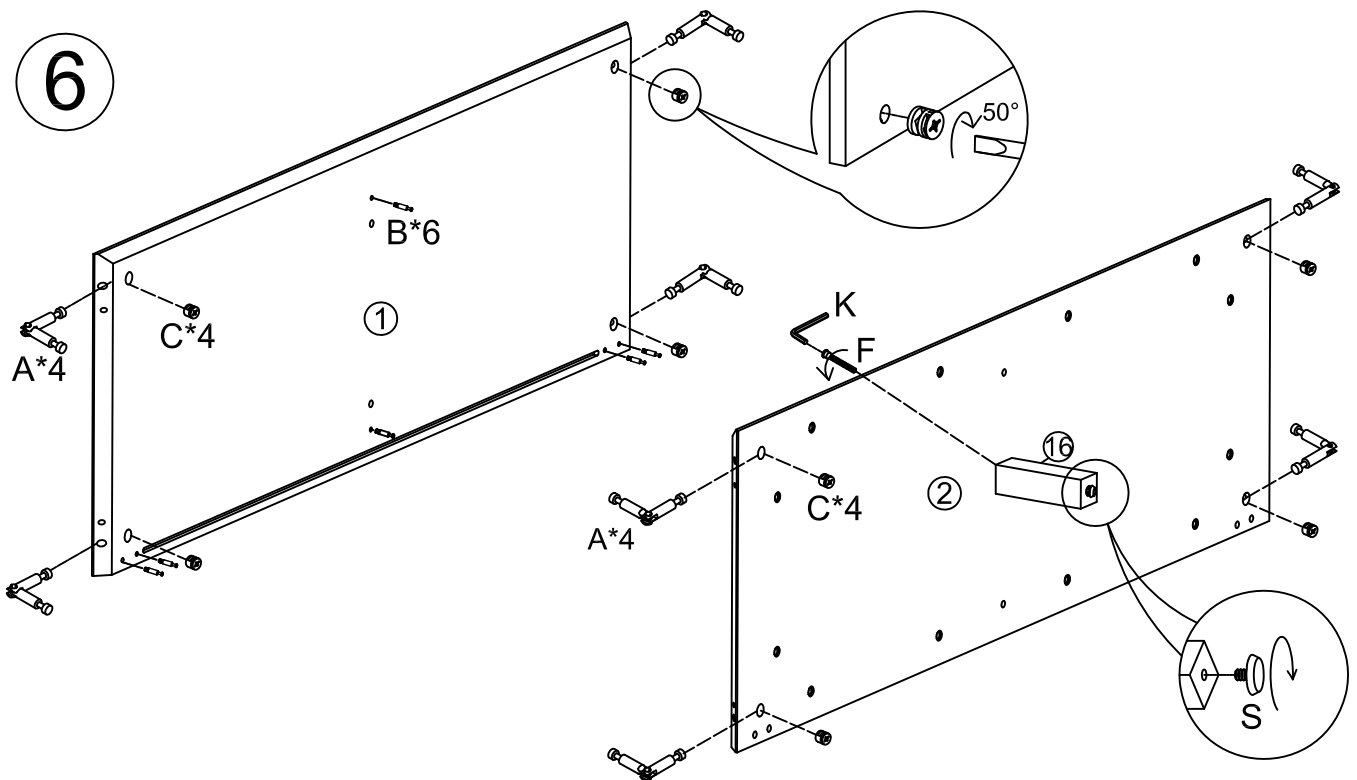


C	x4
	
Ø15mm	

5



6



A	x8

B	x6
M6*35mm	

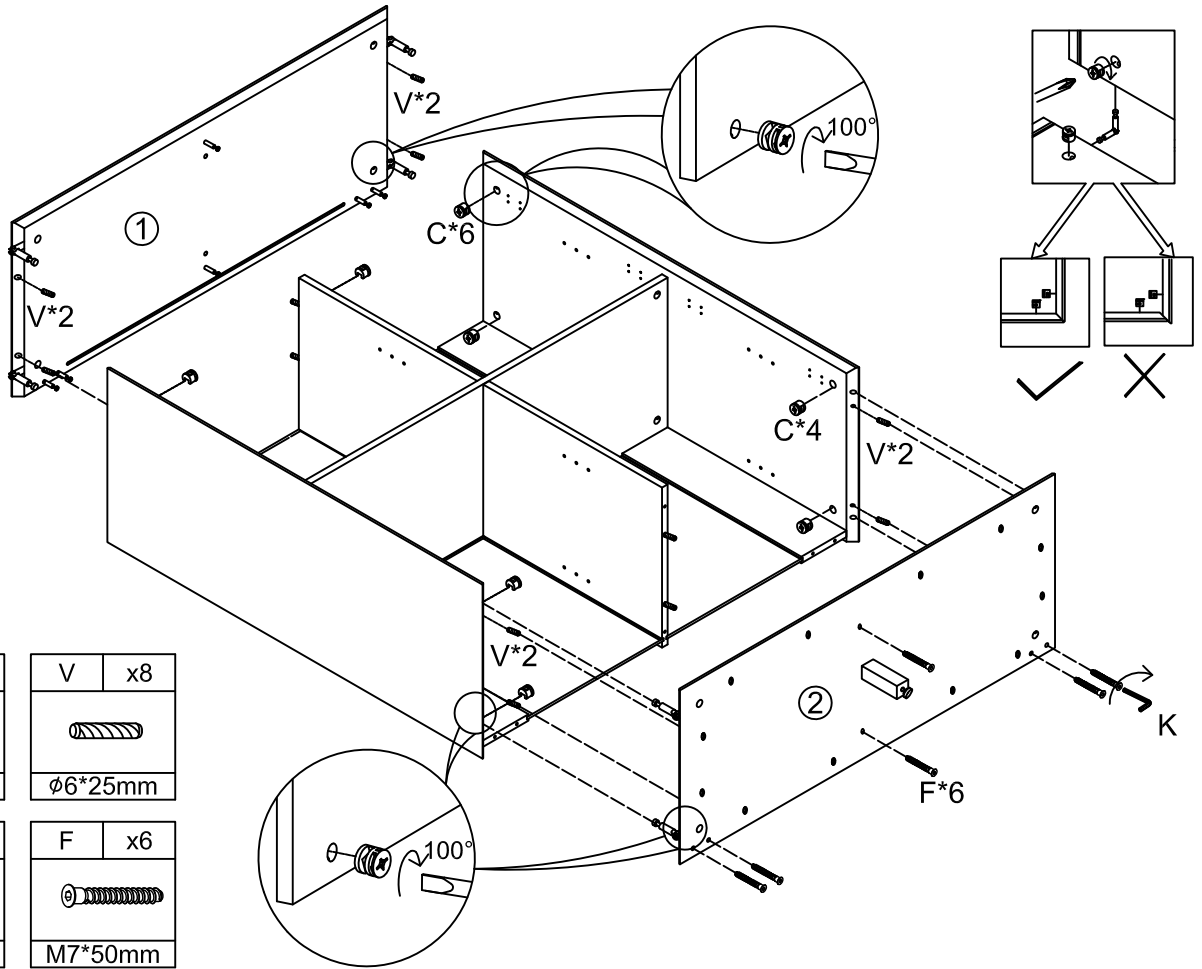
C	x8
φ15mm	

F	x1
M7*50mm	

K	x1

S	x1

7



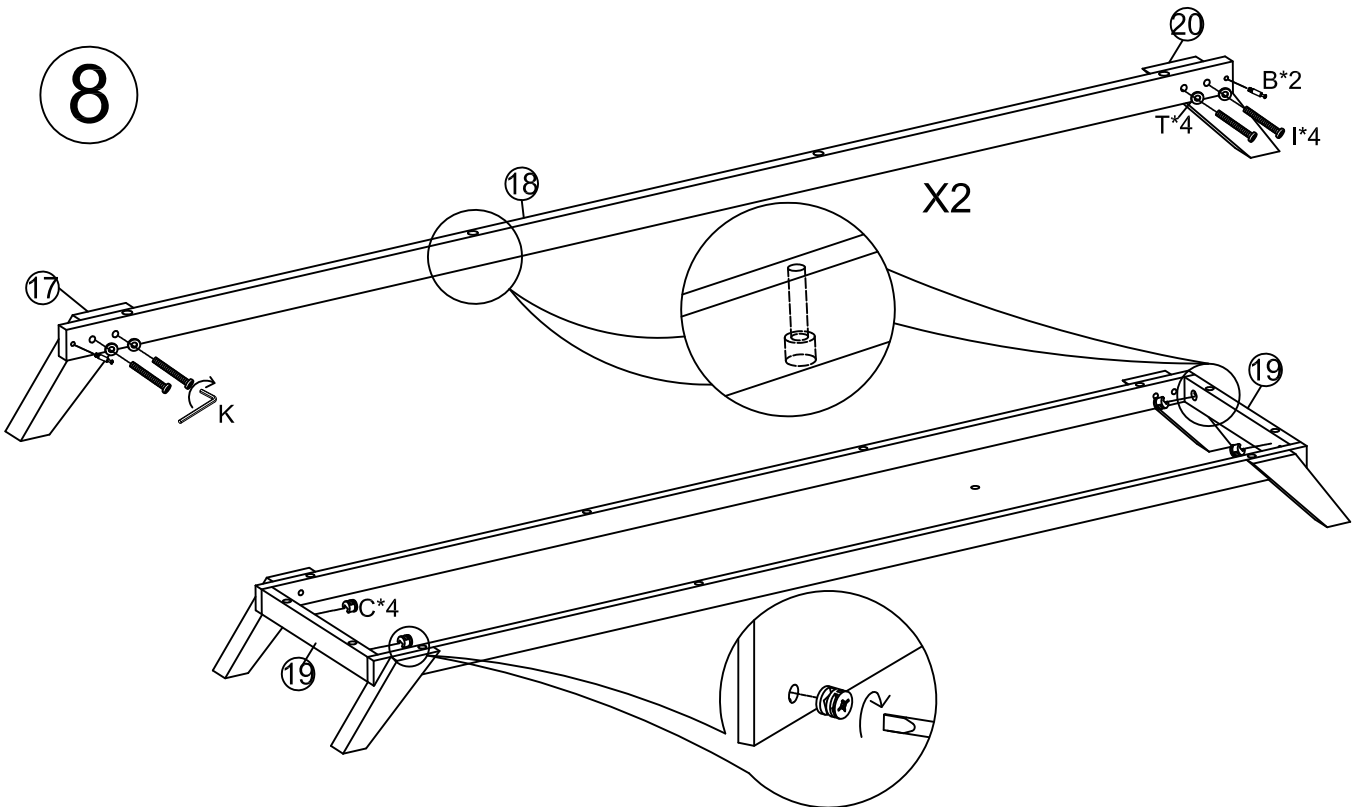
K	x1

V	x8
ø6*25mm	

C	x10
ø15mm	

F	x6
M7*50mm	

8



B	x4
M6*35mm	

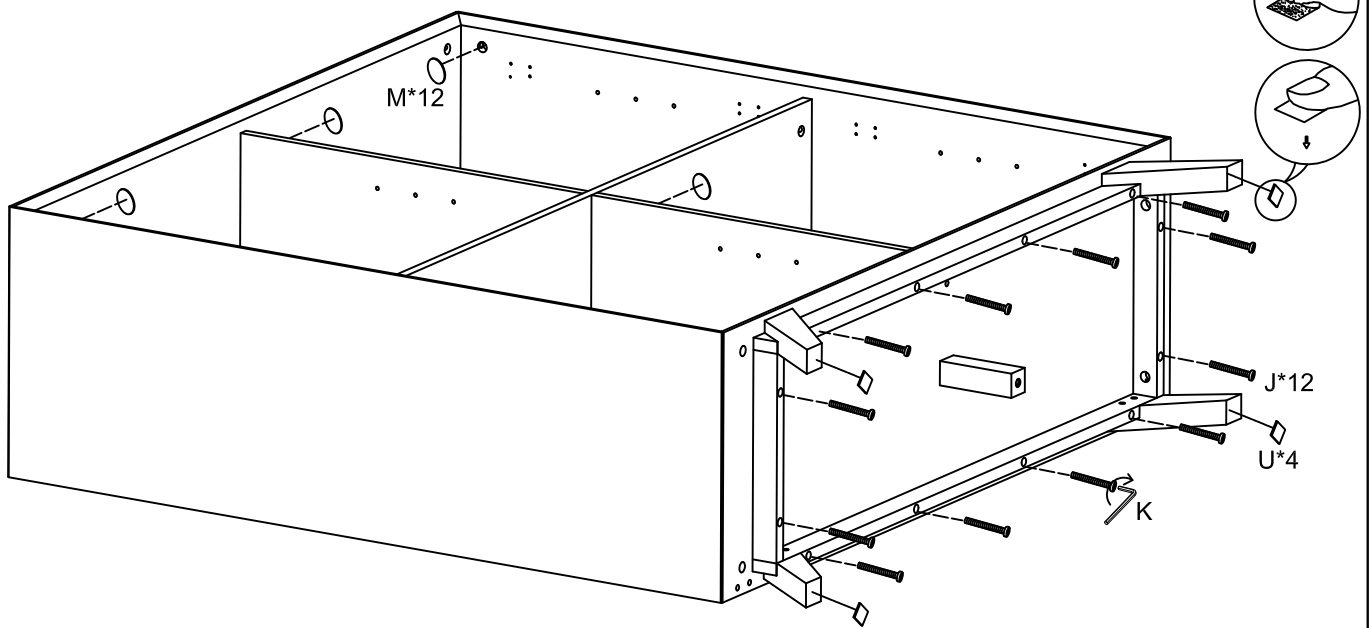
C	x4
ø15mm	

I	x8
M6*30mm	

K	x1

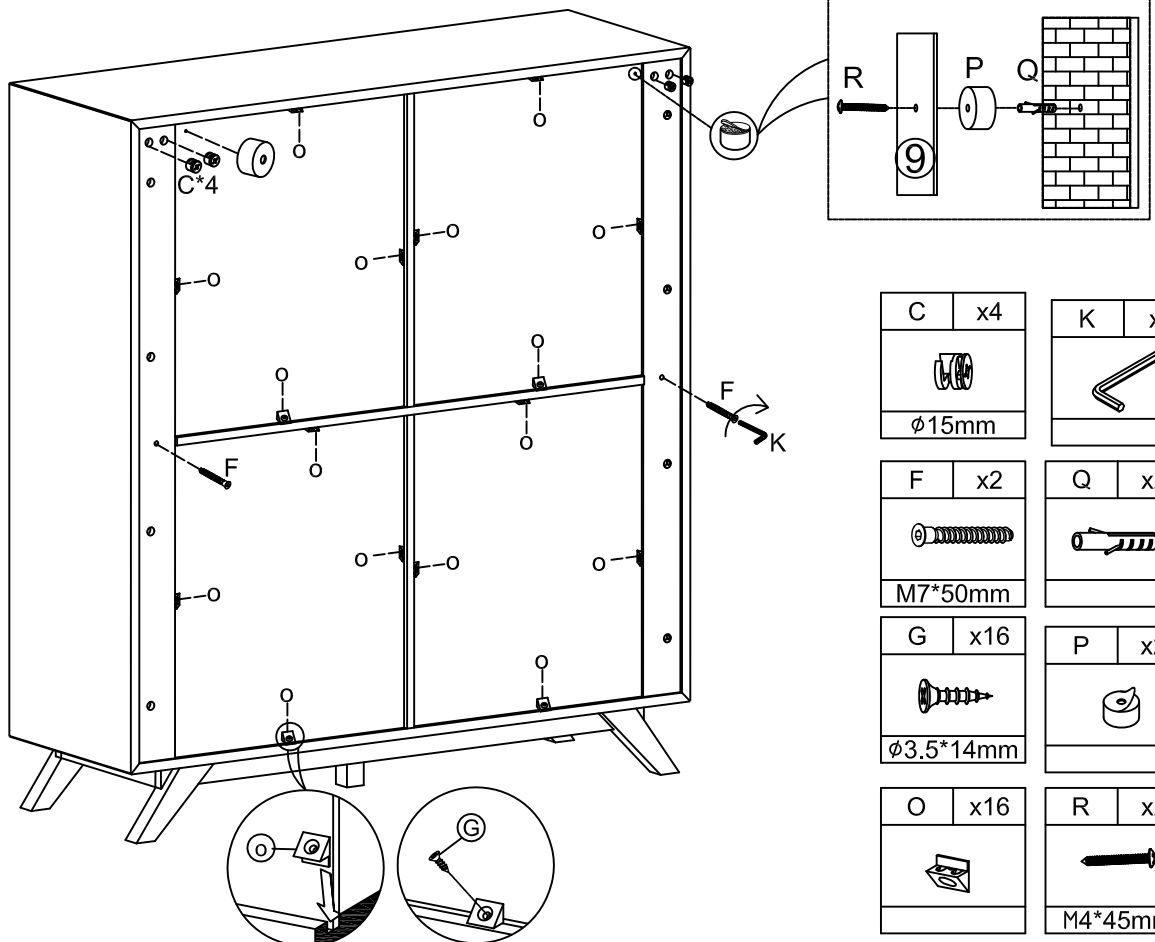
T	x8

9



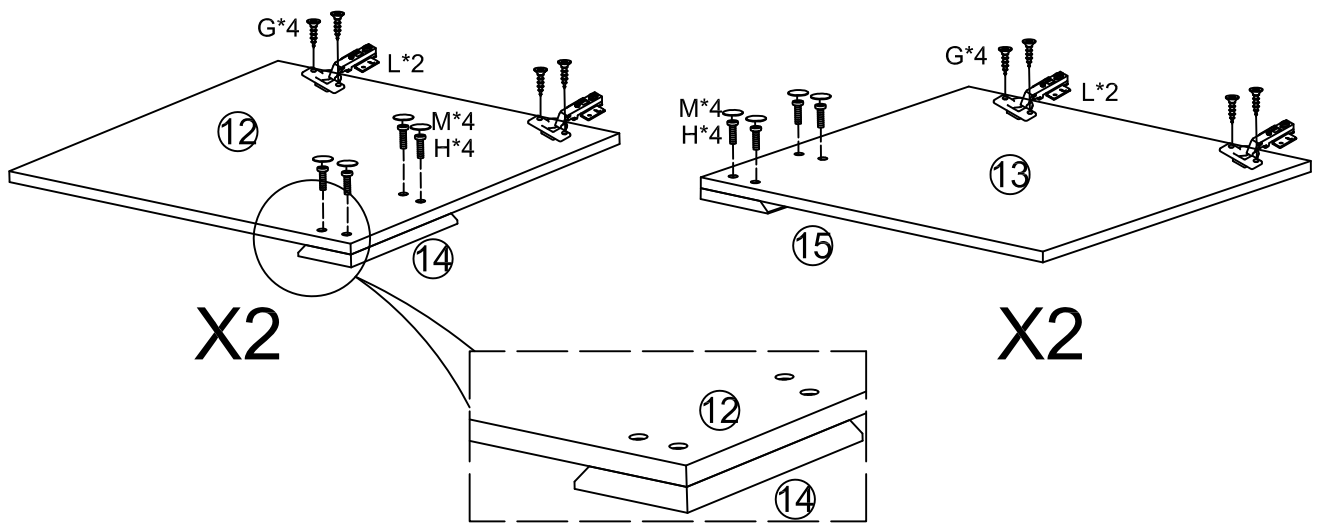
J	x12	K	x1	U	x4	M	x12
M6*40mm						ø20	

10



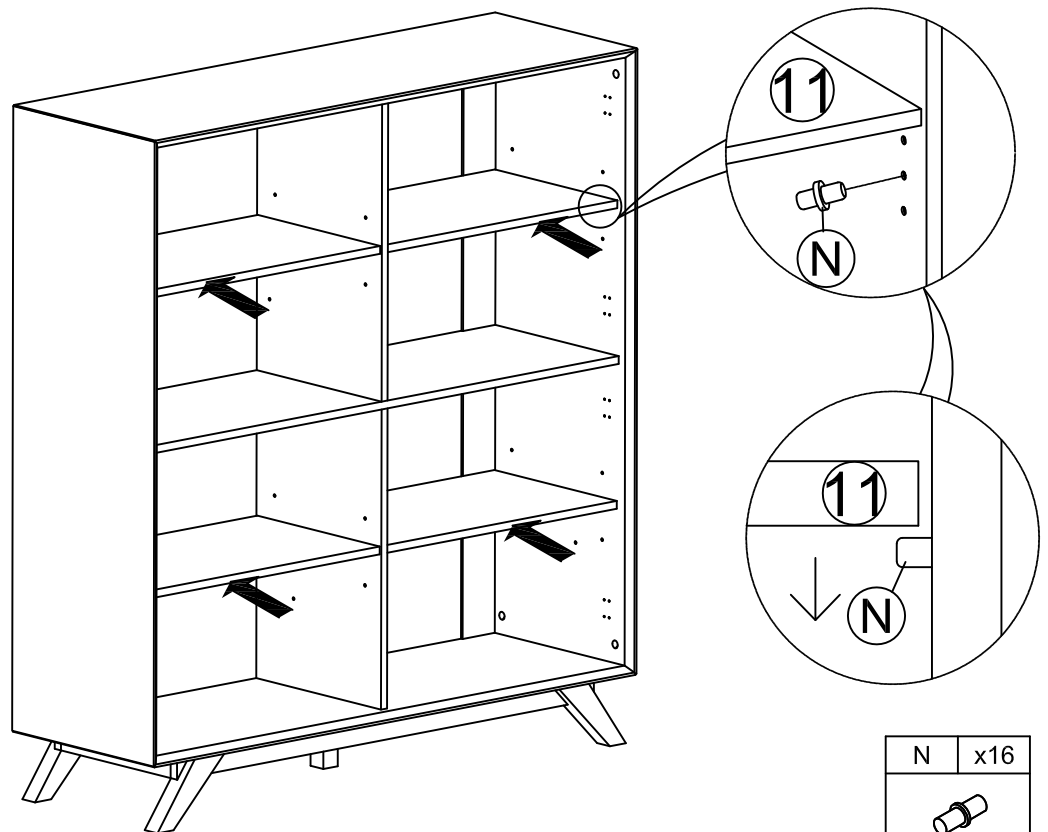
C	x4	K	x1
ø15mm			
F	x2	Q	x2
M7*50mm			
G	x16	P	x2
ø3.5*14mm			
O	x16	R	x2
		M4*45mm	

11



G	x16	L	x8	H	x16	M	x16
ø3.5*14mm				M6*20mm		ø20	

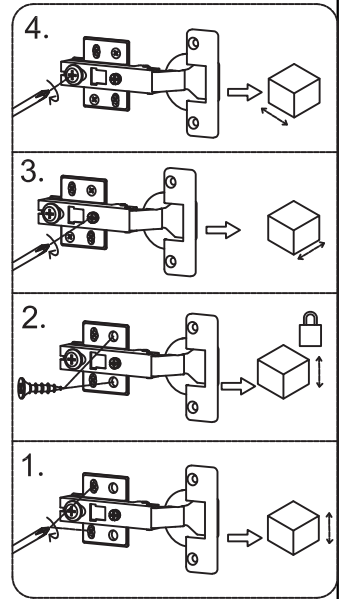
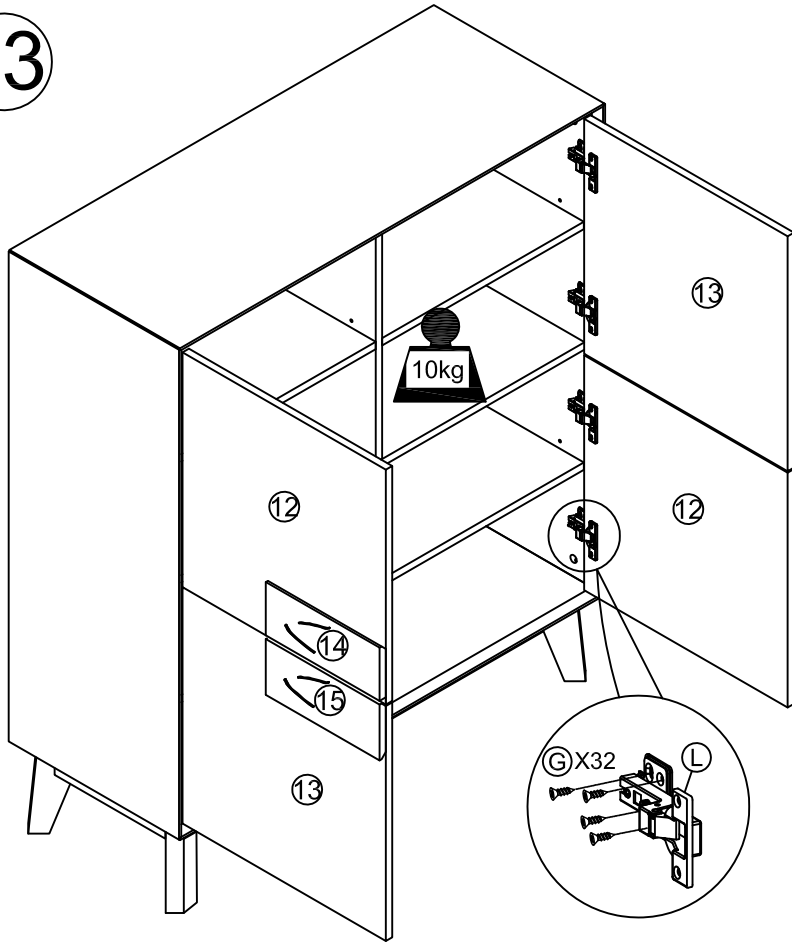
12



N	x16



13



G	x32
Ø3.5*14mm	

14

