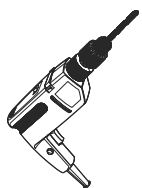
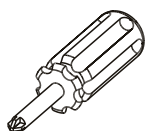
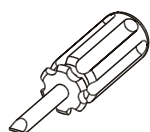
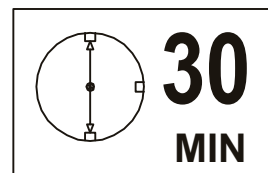
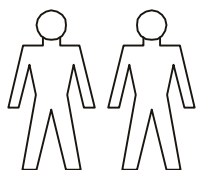


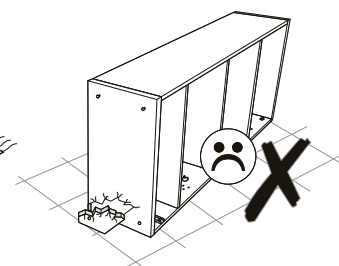
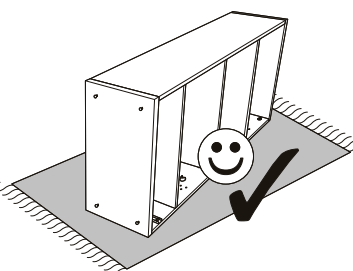
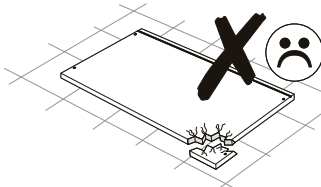
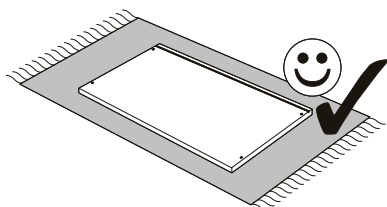
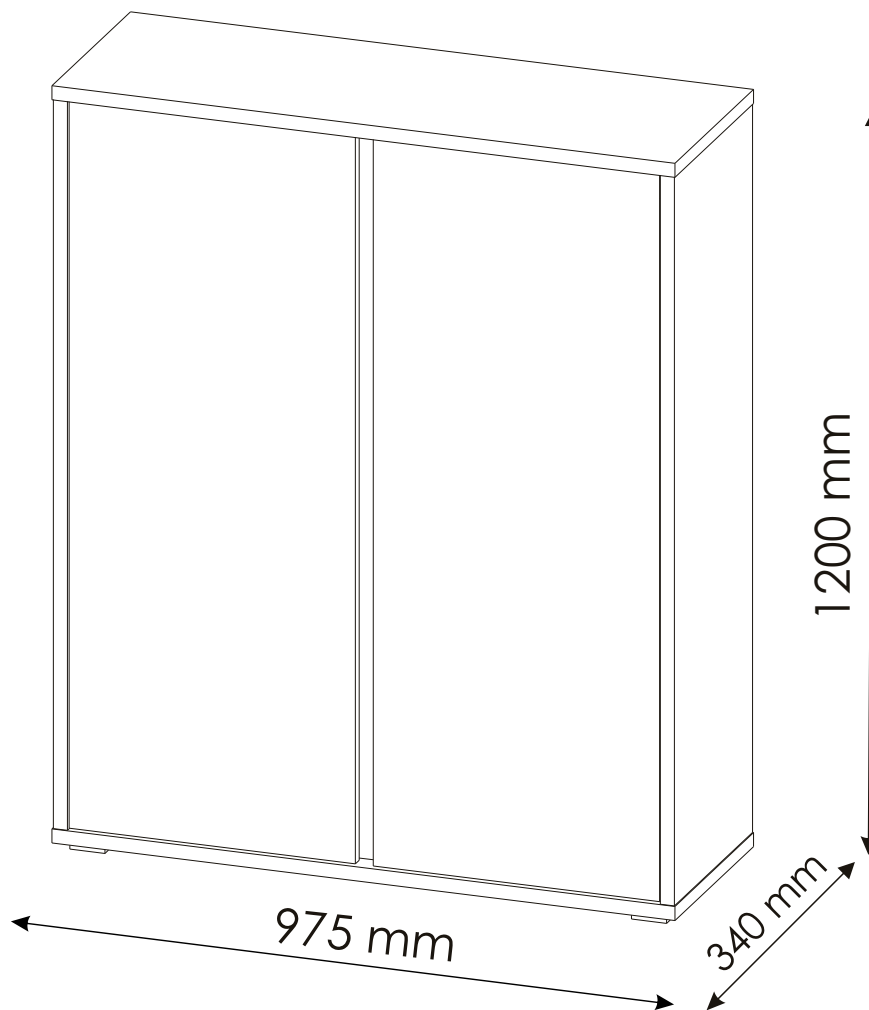
# LIV - SCHUHSCHRANK 2T









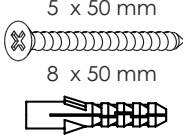

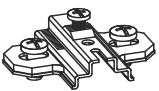
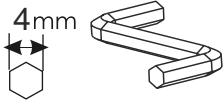

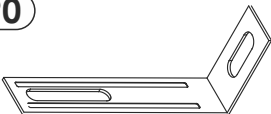
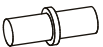
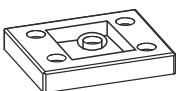


00030003/08

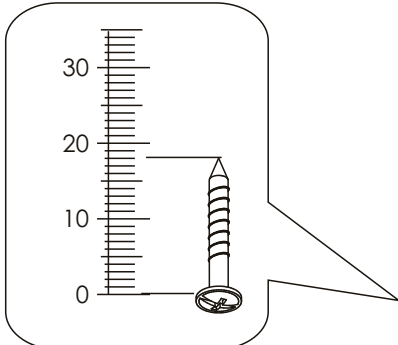
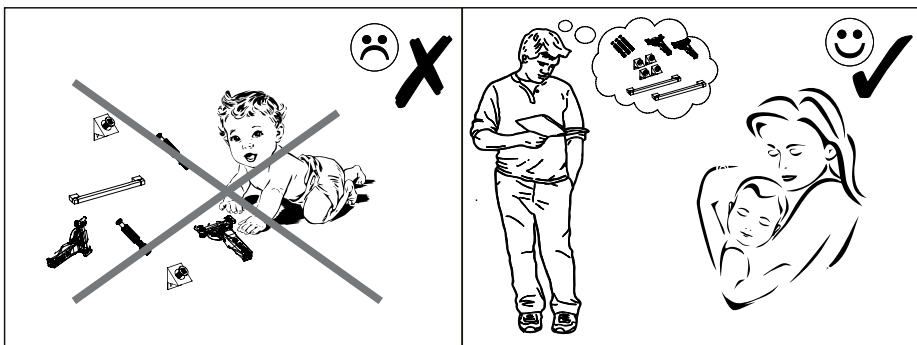
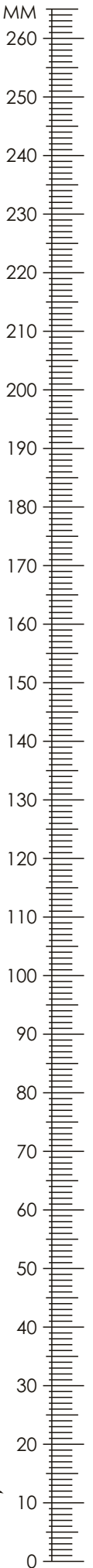
00030003/09




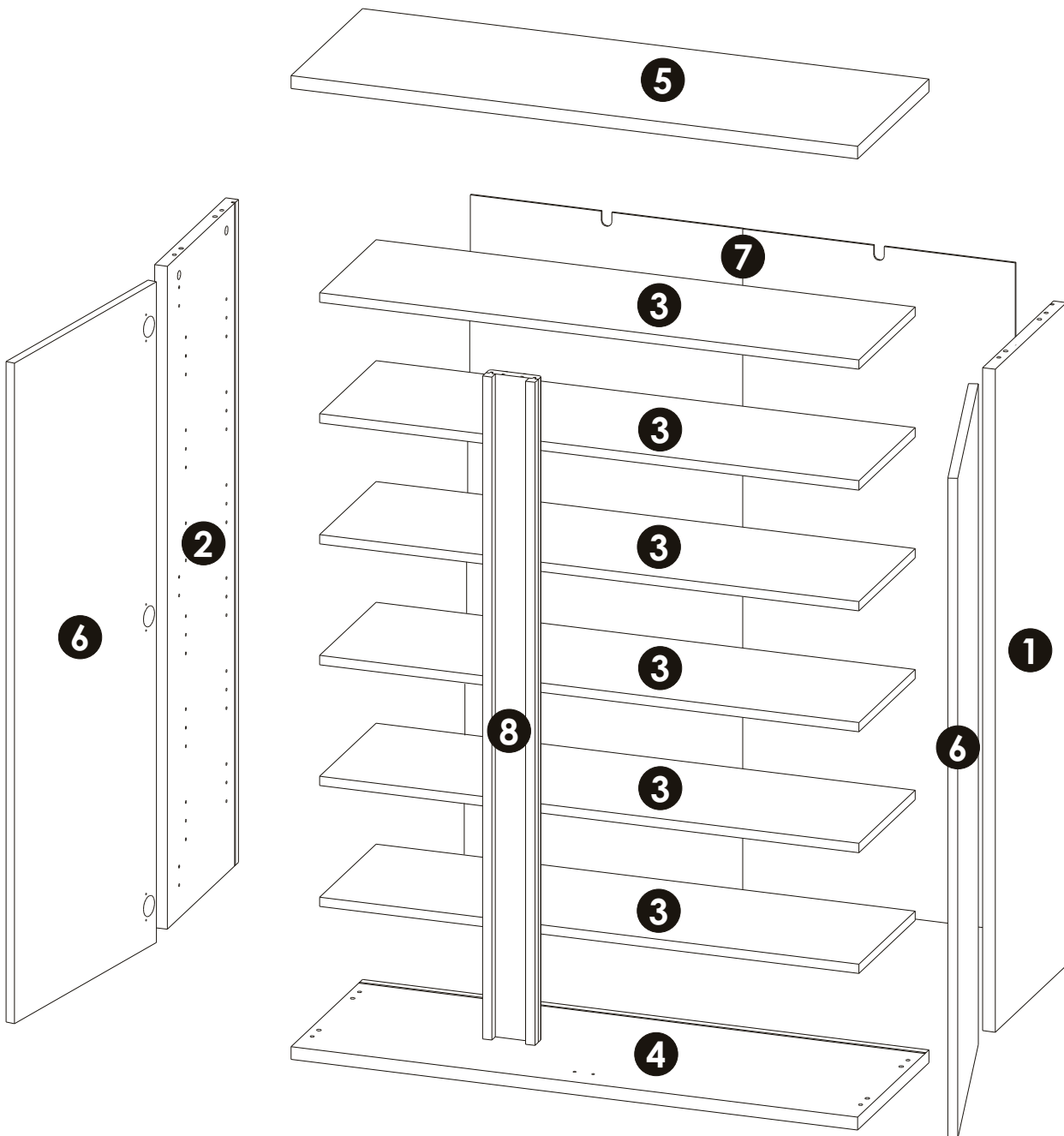
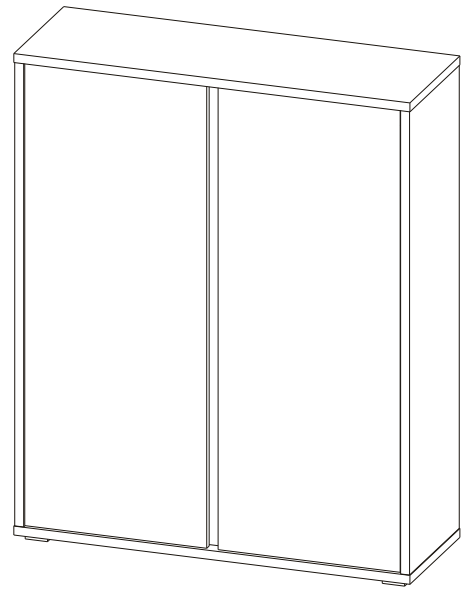
Ø8

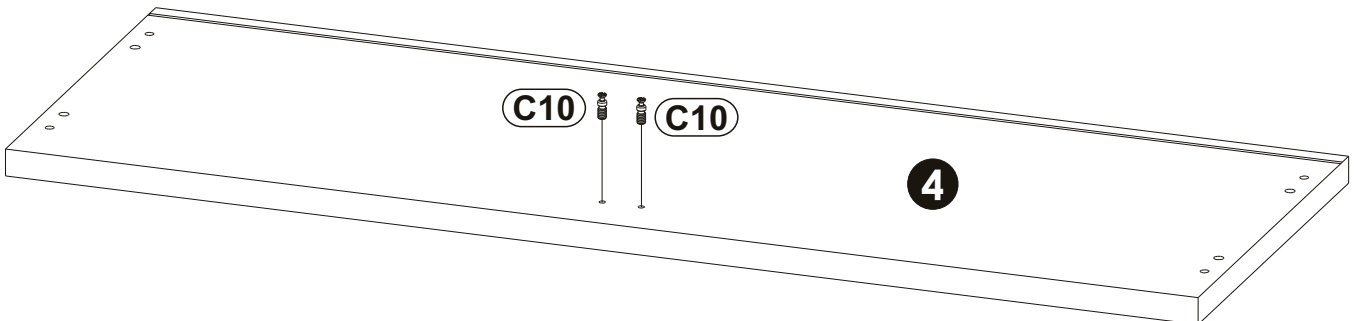
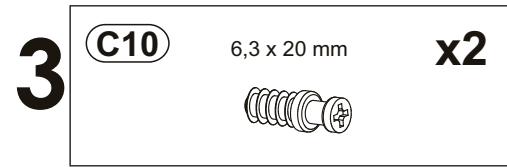
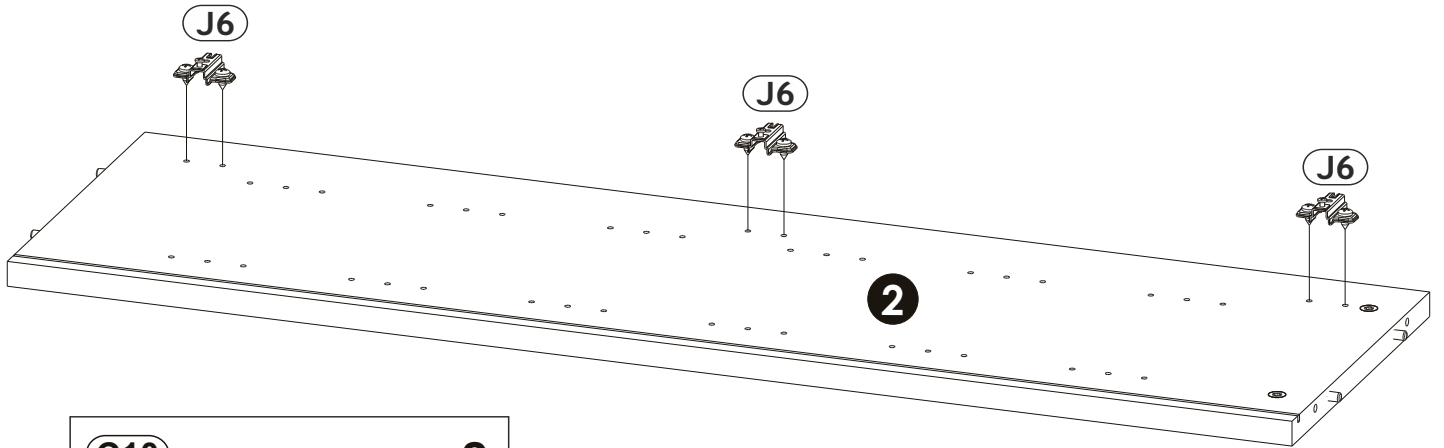
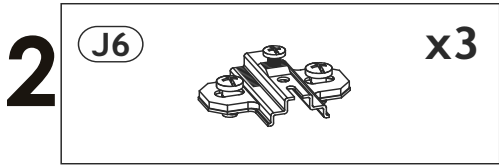
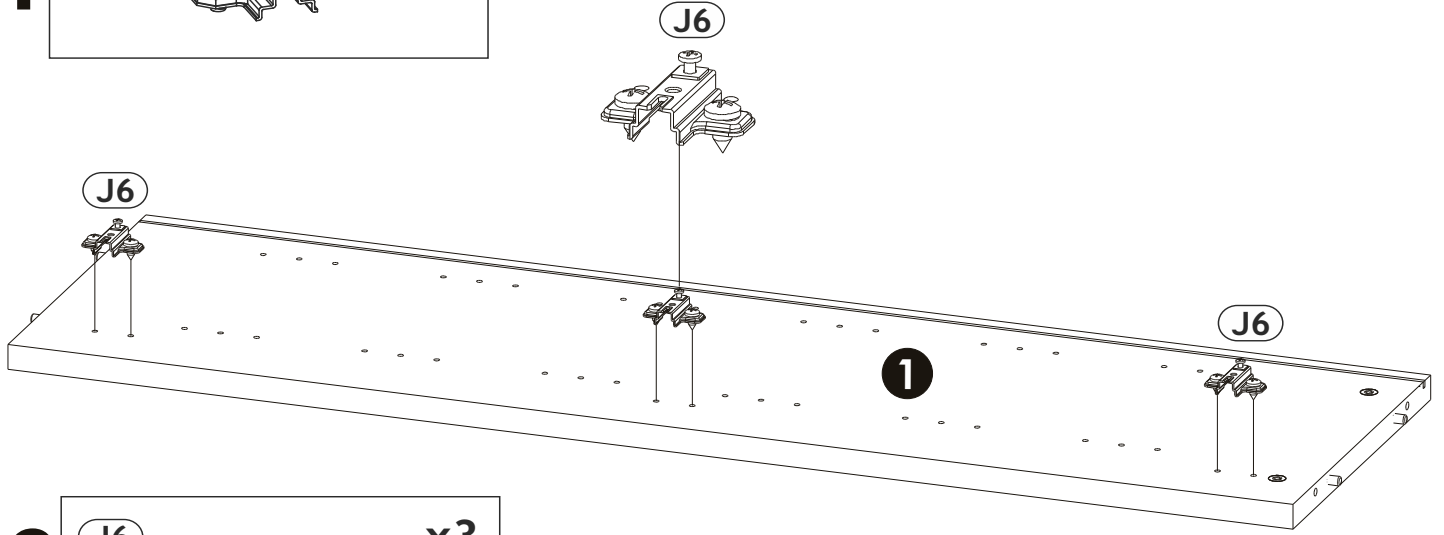
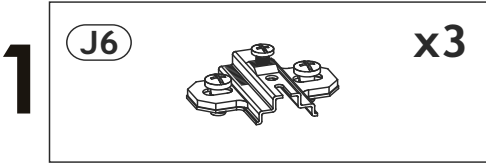
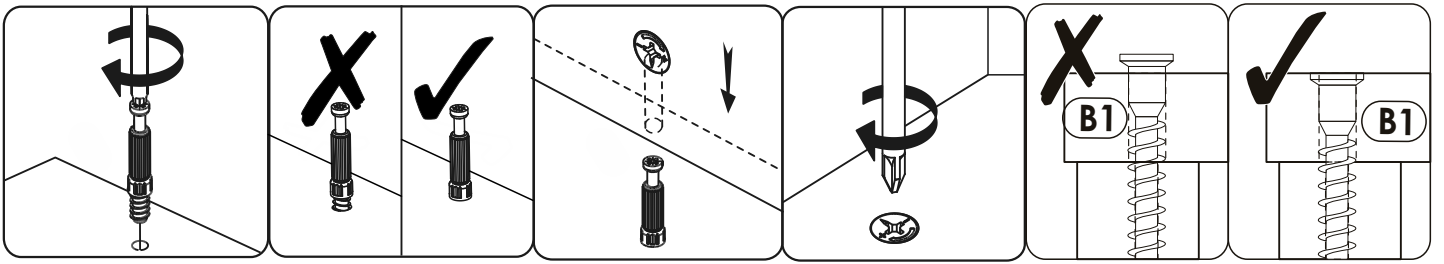


<b>B2</b> f 7 x 70 mm <b>x4</b> 	<b>C0</b> <b>x4</b> 	<b>C2</b> <b>x4</b> 
<b>C10</b> 6,3 x 20 mm <b>x4</b> 	<b>D0</b> 3 x 15 mm <b>x16</b> 	<b>D10</b> 4 x 16 mm <b>x12</b> 
<b>D12</b> 4 x 25 mm <b>x16</b> 	<b>D21</b> 5 x 13 mm <b>x2</b> 	<b>E0</b> 5 x 50 mm 8 x 50 mm <b>x2</b> 
<b>J4</b> <b>x6</b> 	<b>J6</b> <b>x6</b> 	<b>K</b> 4mm <b>x1</b> 
<b>M1</b> <b>x16</b> 	<b>P0</b> <b>x2</b> 	<b>Q0</b> <b>x24</b> 
<b>T5</b> <b>x4</b> 	<b>U0</b> <b>x4</b> 	<b>LOGO...</b> <b>x1</b> 




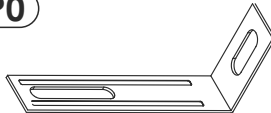
<b>1</b>	1141	336	22	x1	1/2
<b>2</b>	1141	336	22	x1	1/2
<b>3</b>	928	267	16	x6	1/2
<b>4</b>	975	338	22	x1	2/2
<b>5</b>	975	338	22	x1	2/2
<b>6</b>	1137	448	16	x2	2/2
<b>7</b>	1151	938	3	x1	2/2
<b>8</b>	1141	90	32	x1	2/2
					1/2

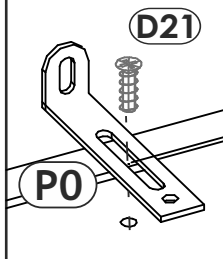
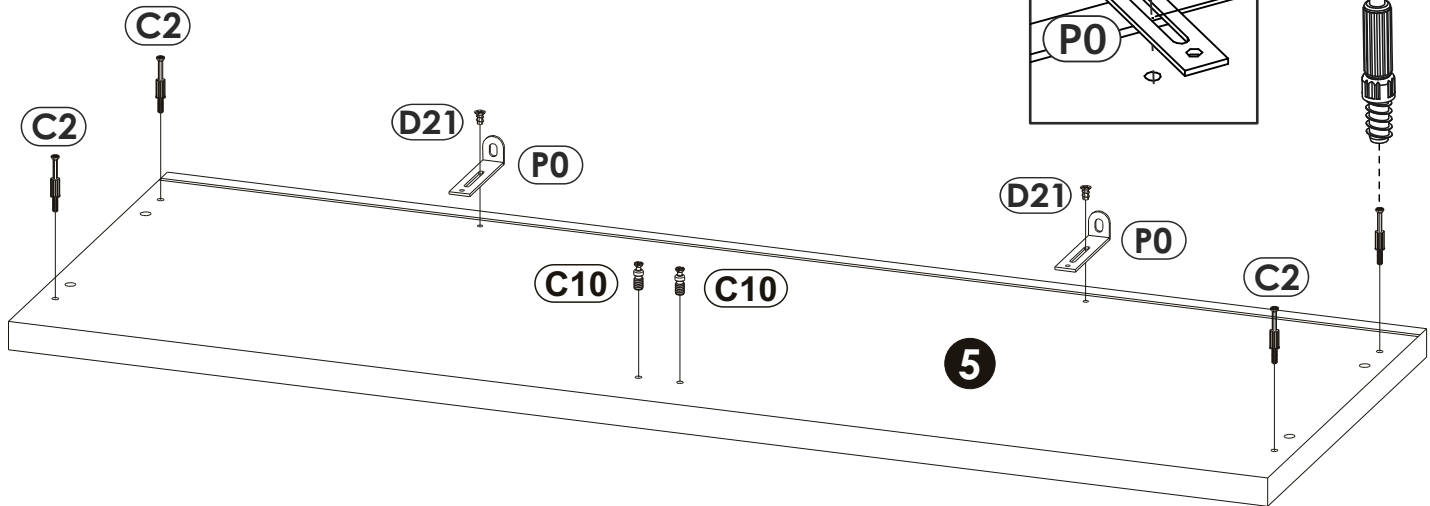




**4**

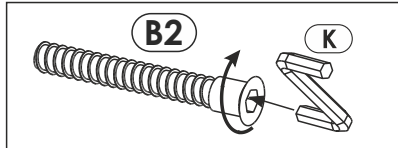
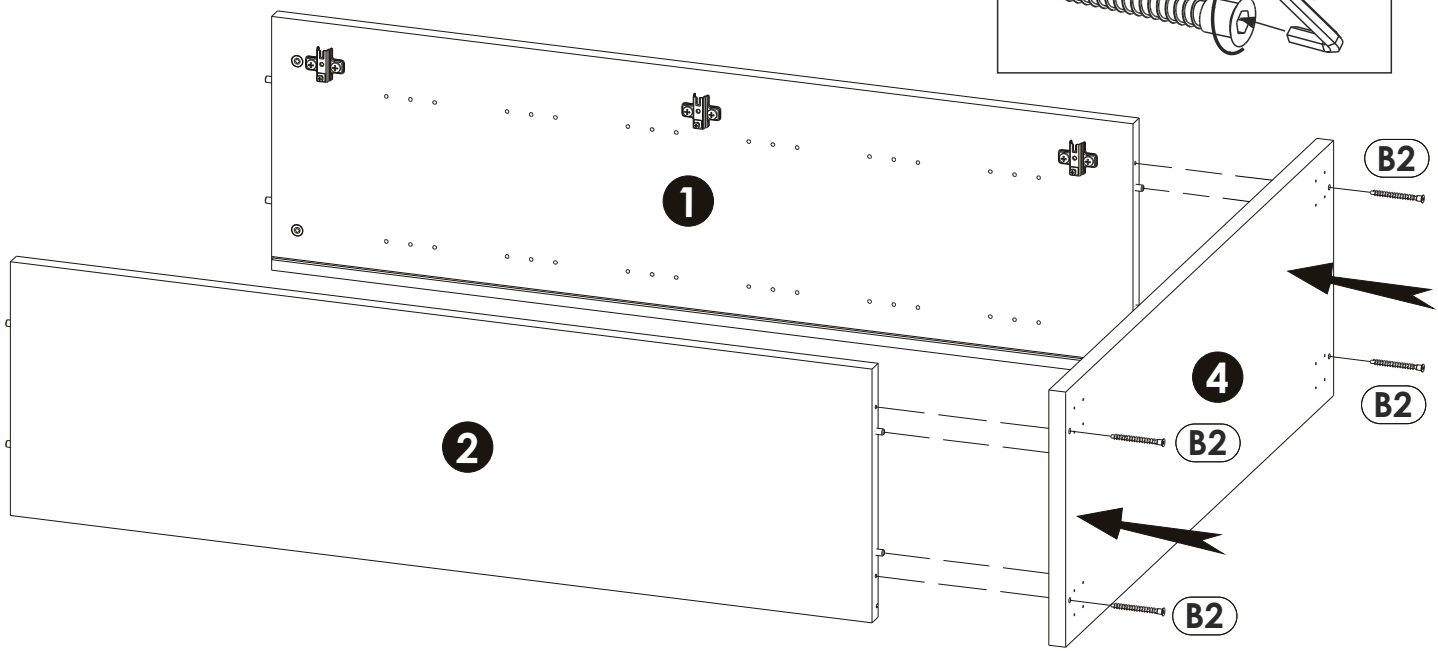
<b>C2</b>		<b>x4</b>	<b>C10</b>	6,3 x 20 mm	<b>x2</b>	<b>D21</b>	5 x 13 mm	<b>x2</b>
-----------	---	-----------	------------	-------------	-----------	------------	-----------	-----------

<b>P0</b>		<b>x2</b>
-----------	---	-----------

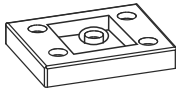



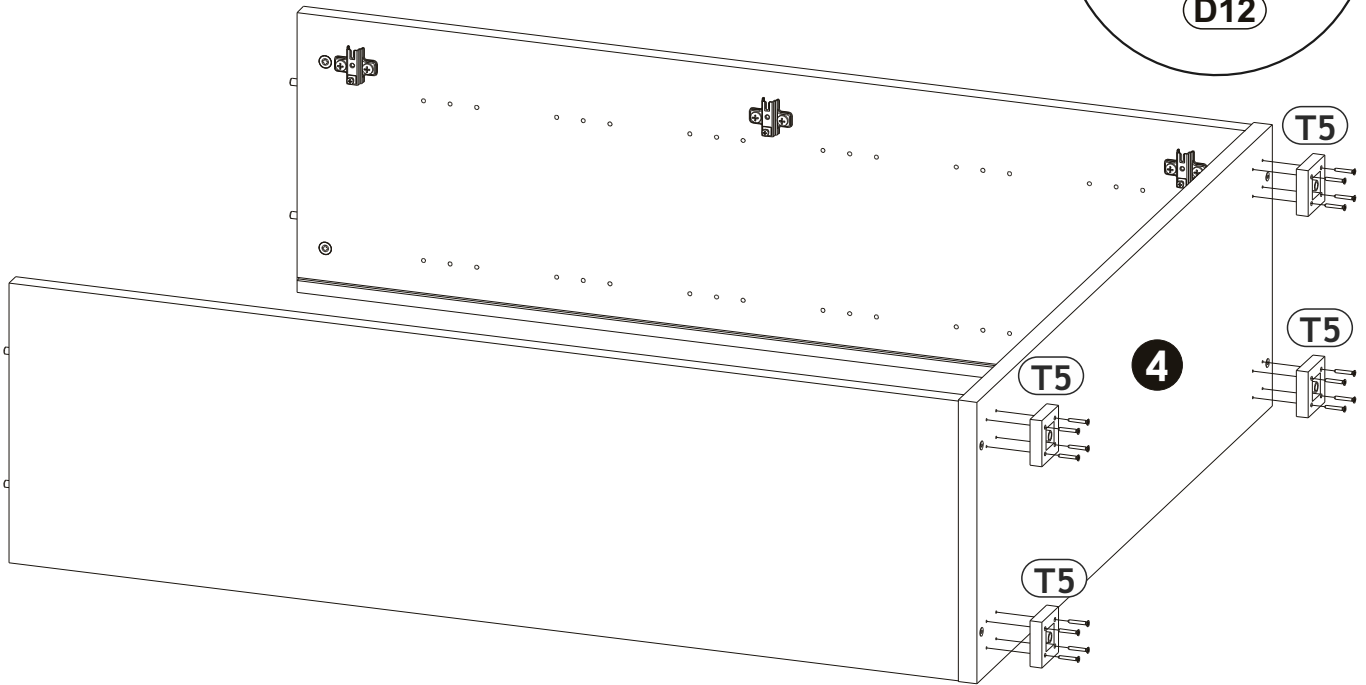
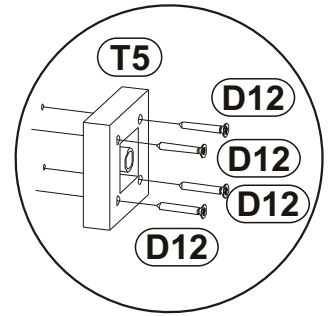
**5**

<b>B2</b>	f 7 x 70 mm	<b>x4</b>	<b>K</b>	4mm	<b>x1</b>
-----------	-------------	-----------	----------	-----	-----------

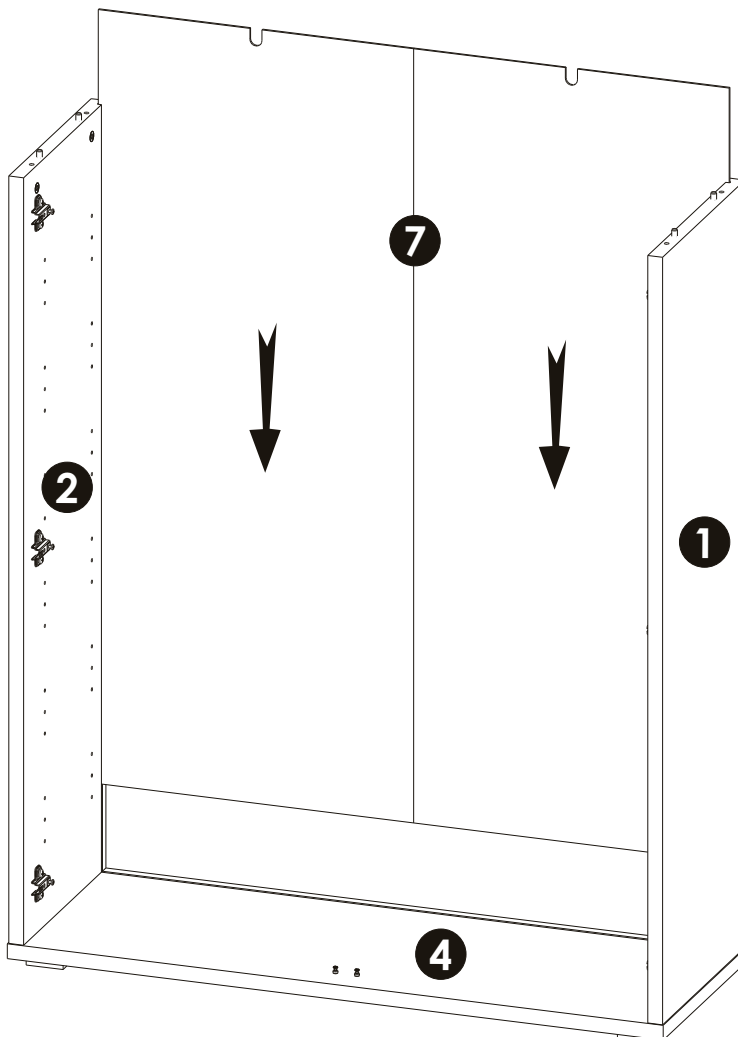



**6**

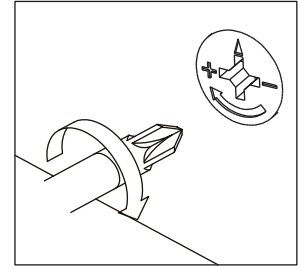
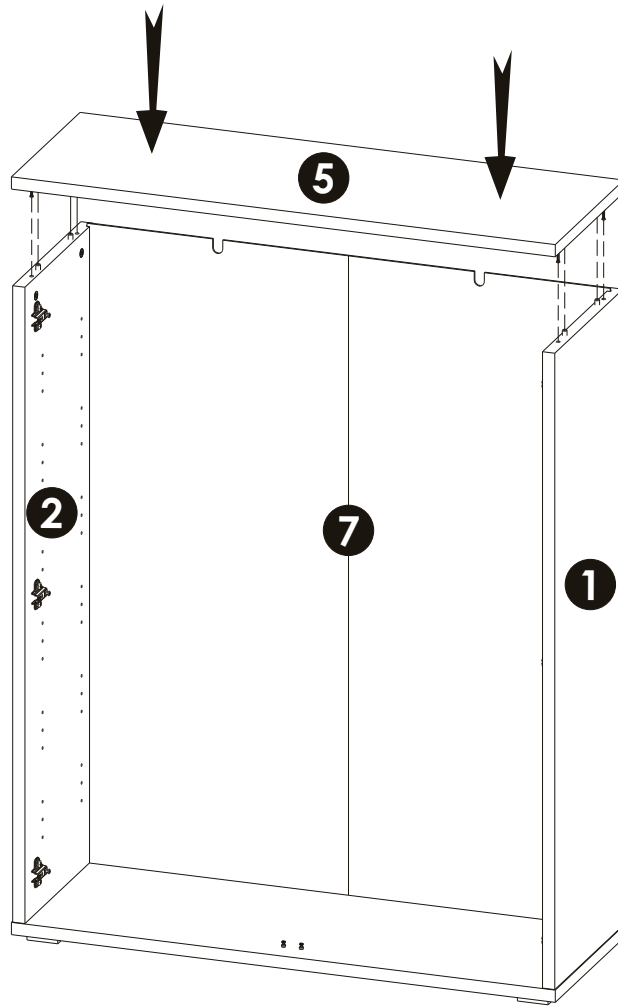
<b>D12</b>	4 x 25 mm	<b>x16</b>	<b>T5</b>		<b>x4</b>
------------	-----------	------------	-----------	---	-----------





**7**

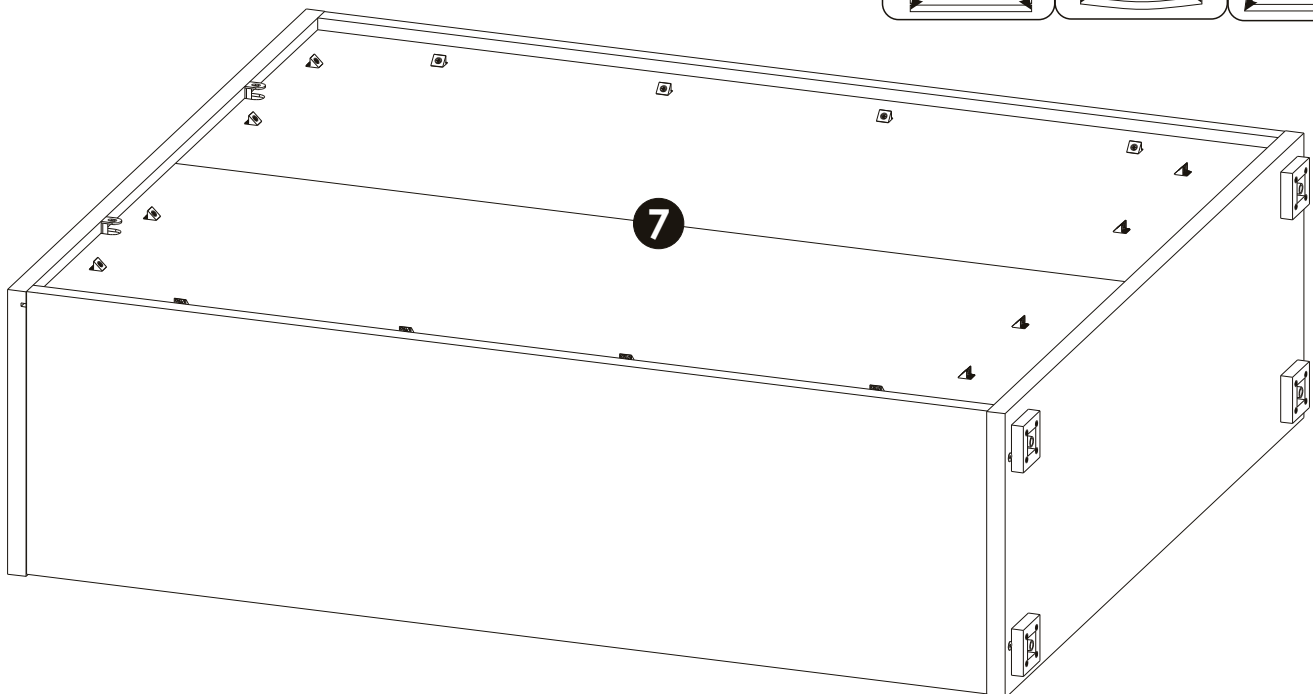
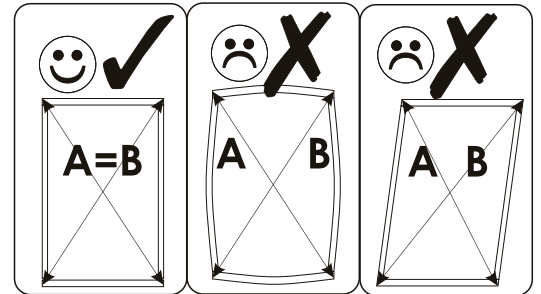
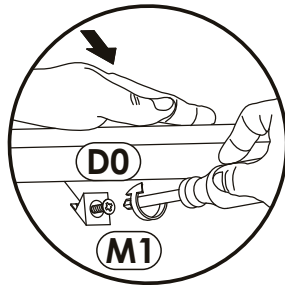


8



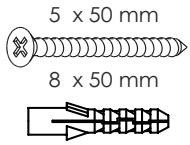
9

<b>D0</b>	3 x 15 mm	<b>x16</b>
		
<b>M1</b>		<b>x16</b>
		

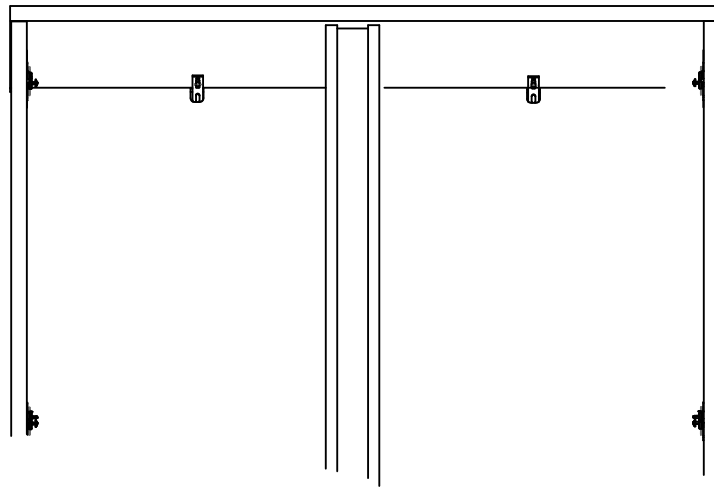
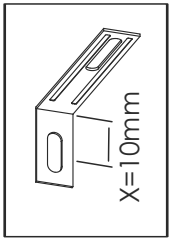
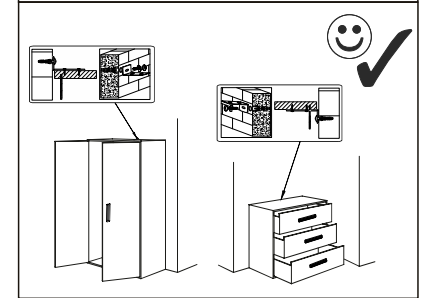
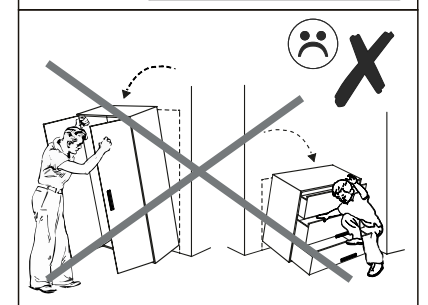
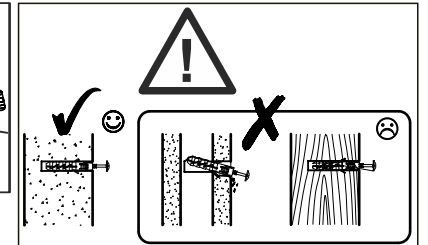
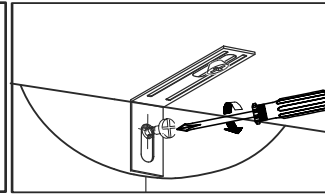
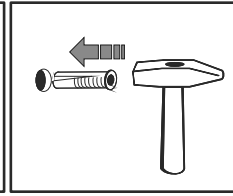
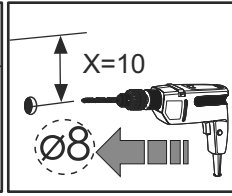
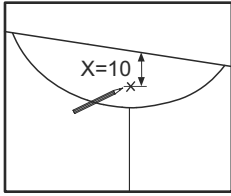


# 10

**E0**

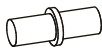


**x2**

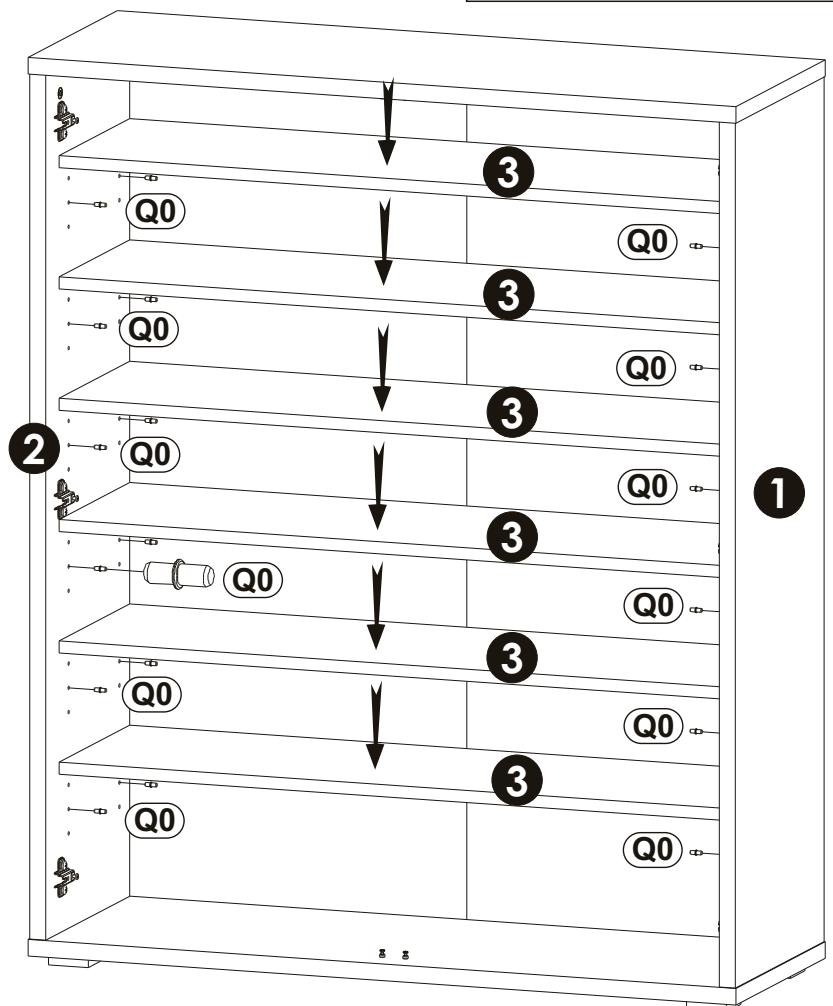
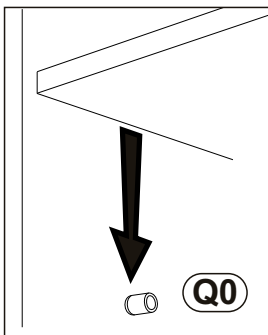


# 11

**Q0**

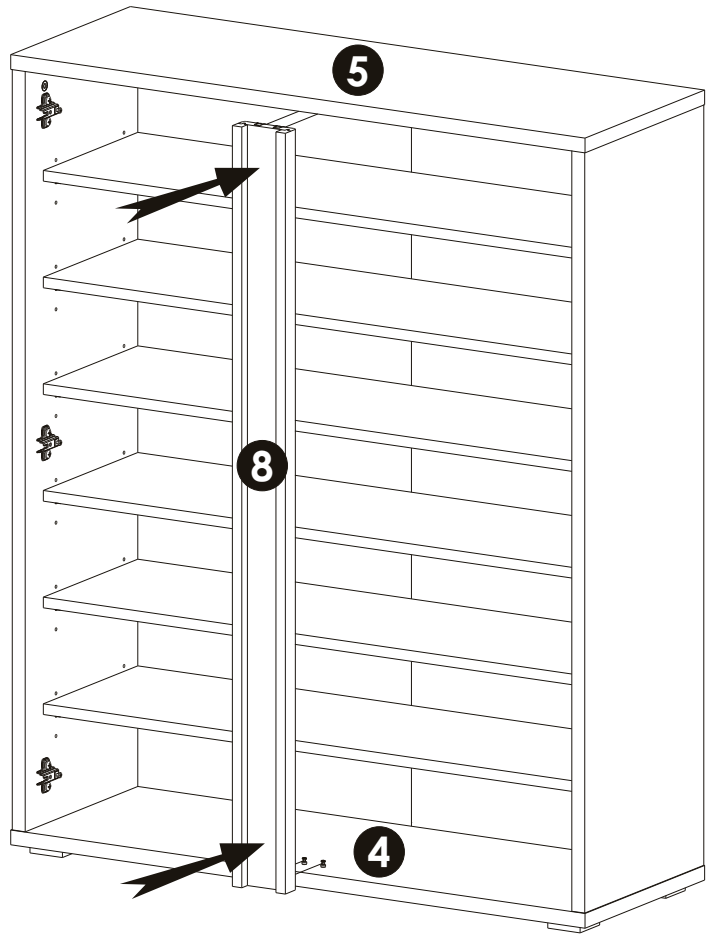
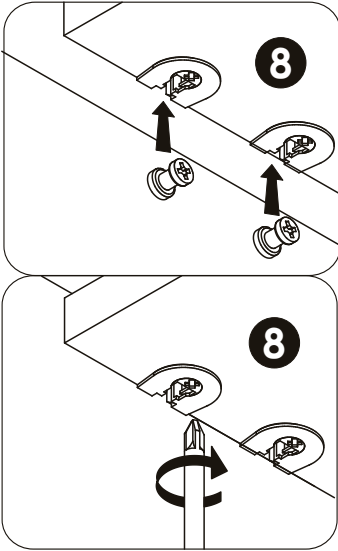


**x24**





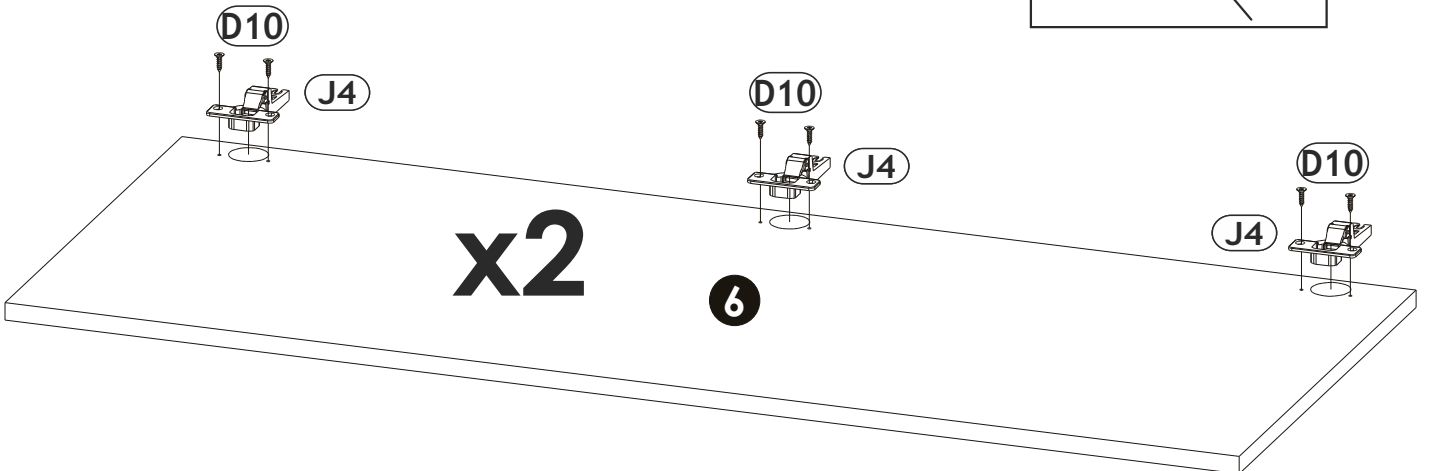
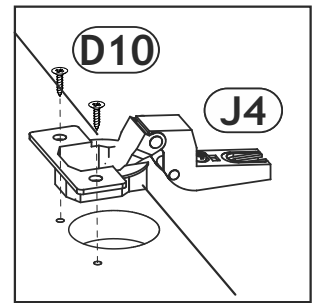


# 12

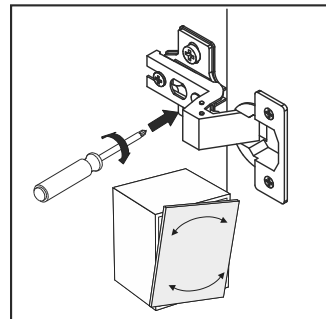
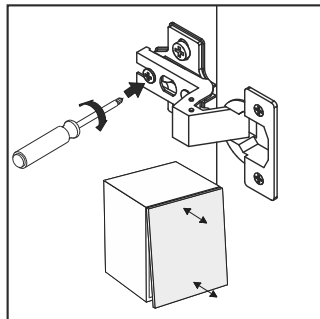
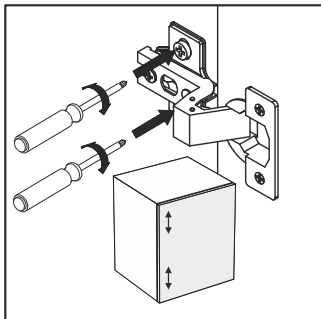
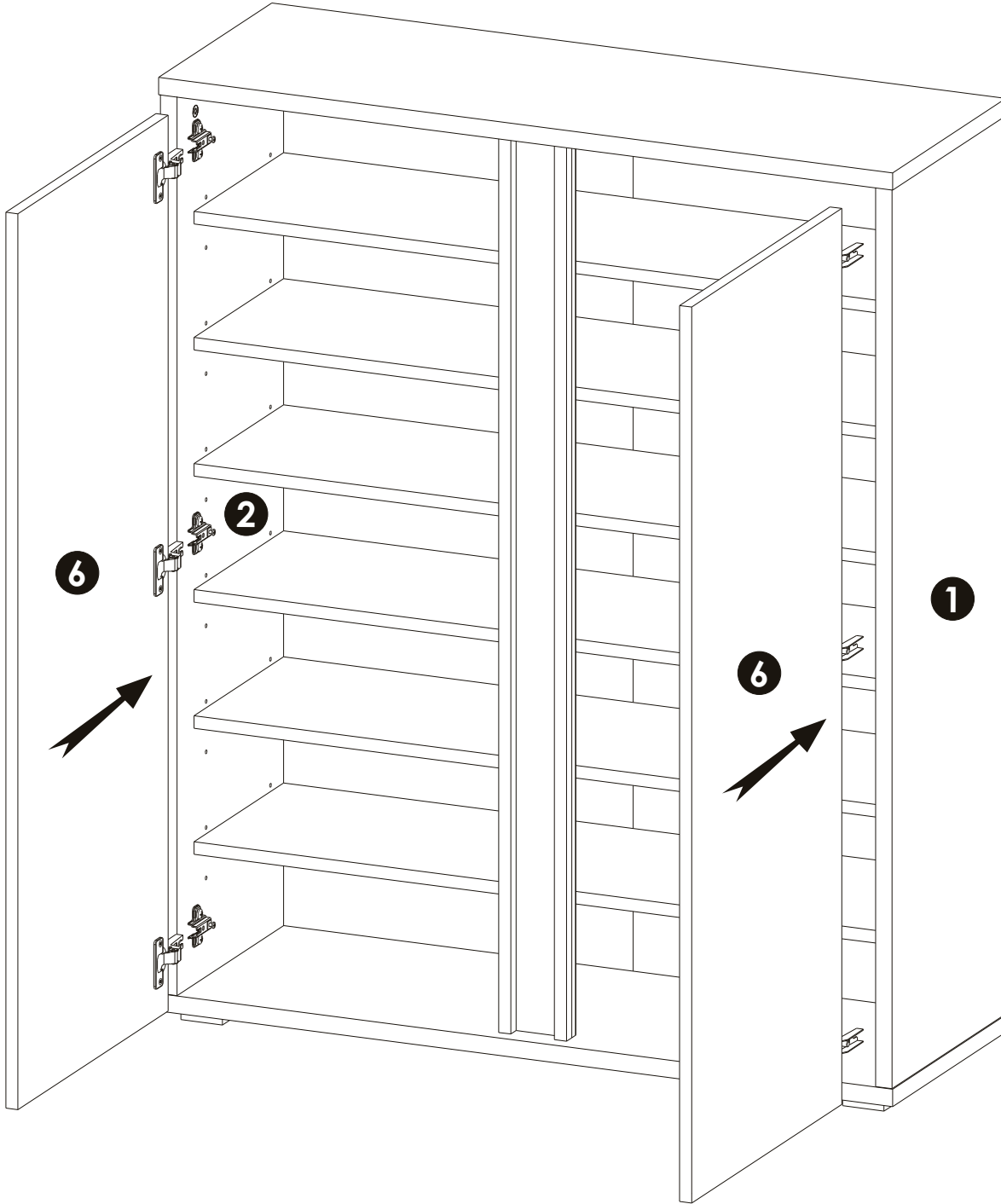
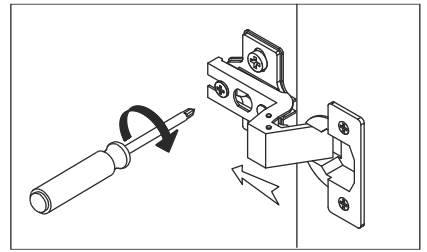
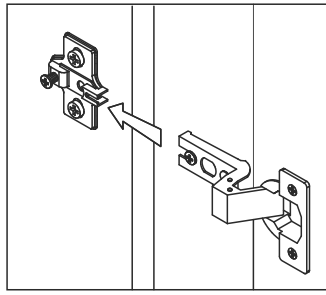


# 13

<b>D10</b>	4 x 16 mm	<b>x12</b>	<b>J4</b>	<b>x6</b>
				



# 14



# 15

<b>(C0)</b>	<b>x4</b>	<b>(U0)</b>	<b>x4</b>	<b>LOGO...</b>	<b>x1</b>
-------------	-----------	-------------	-----------	----------------	-----------

