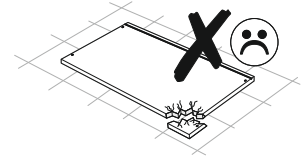
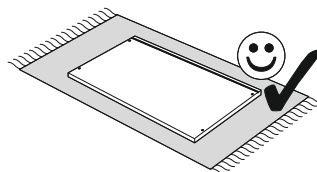
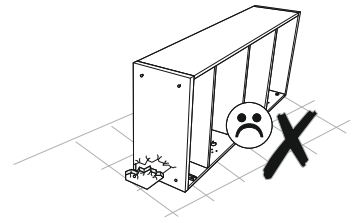
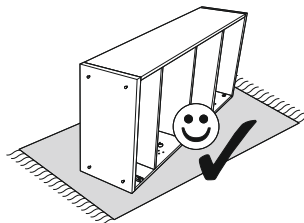
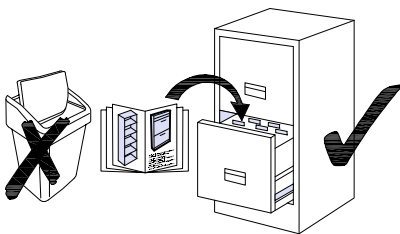
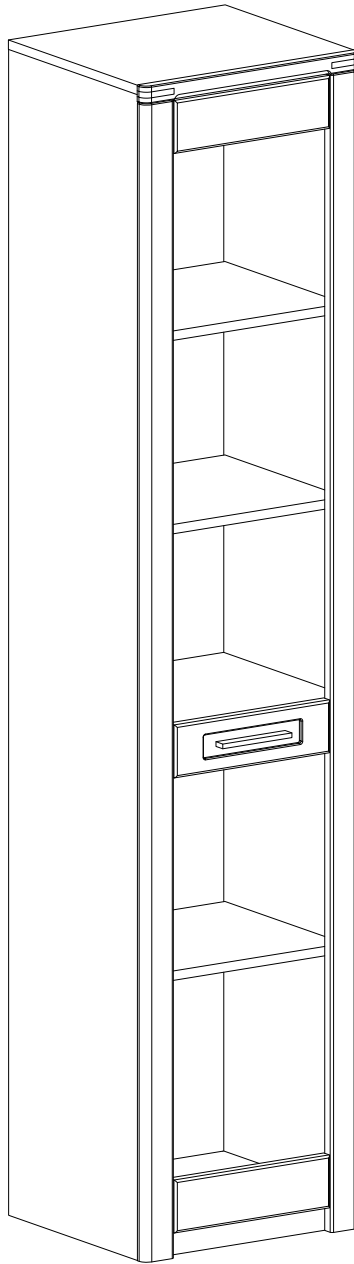
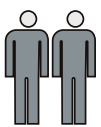
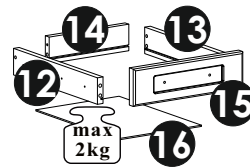
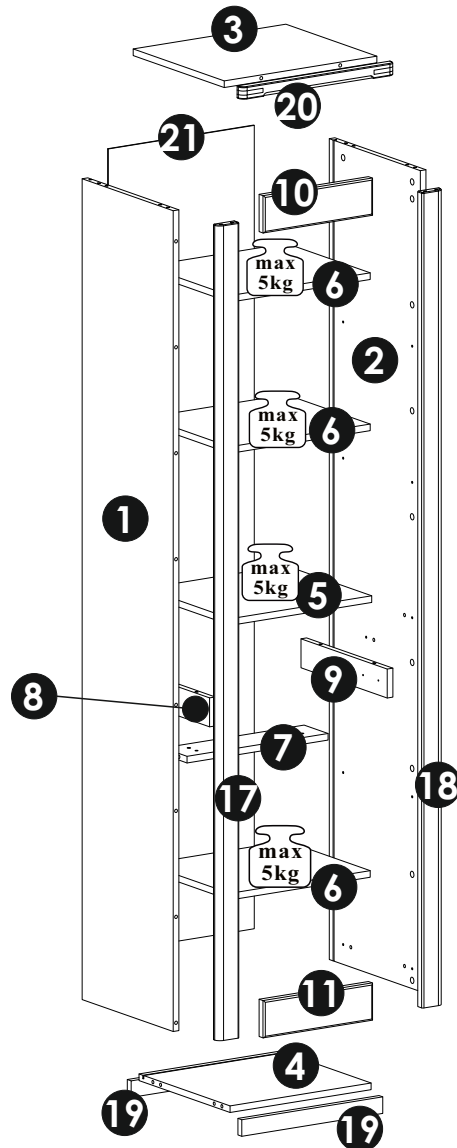
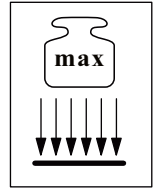


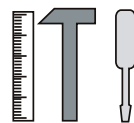
Nature One 12 18 FF 05



Nature One 12 18 FF 05

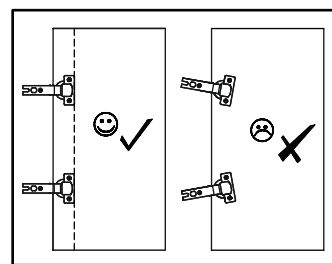
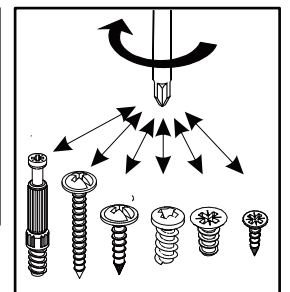
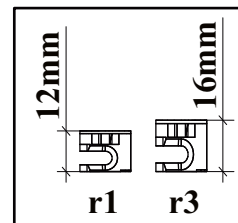
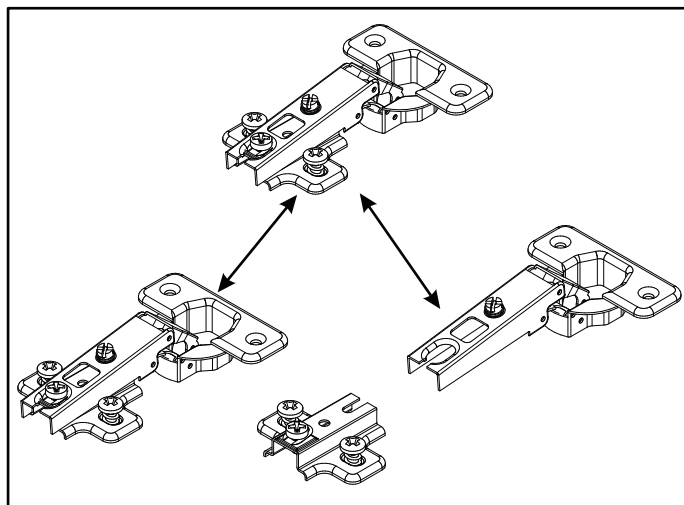
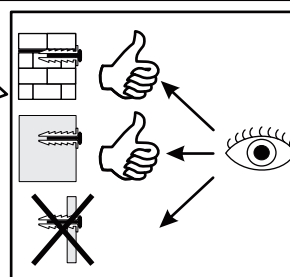
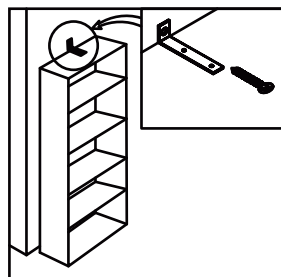
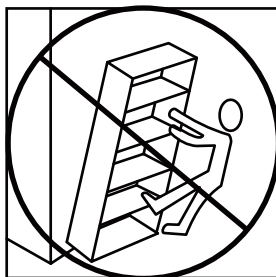
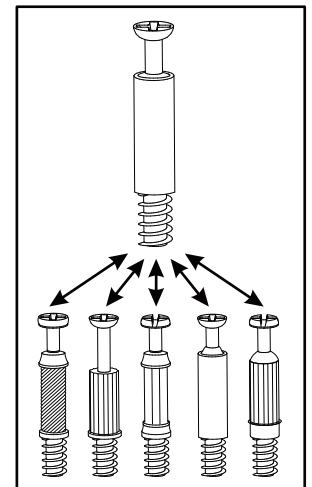
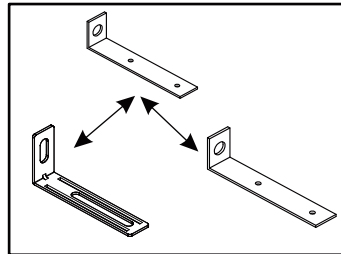
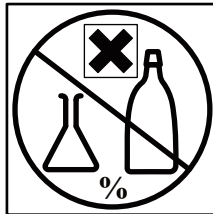
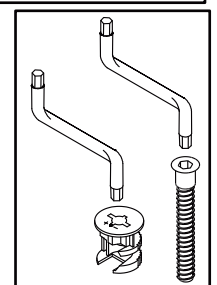
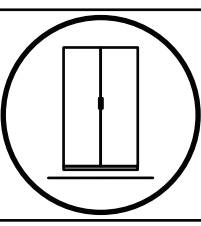
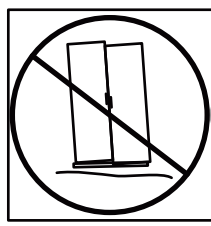
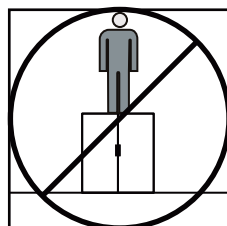
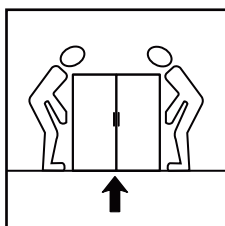
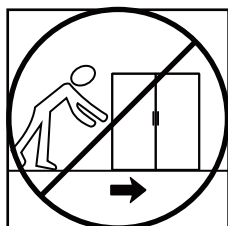
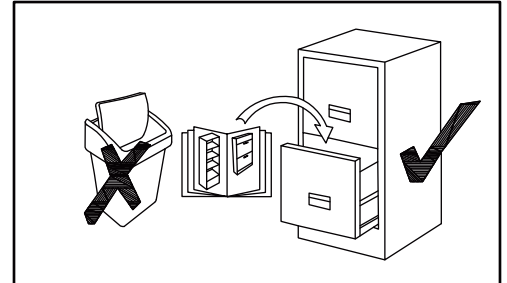
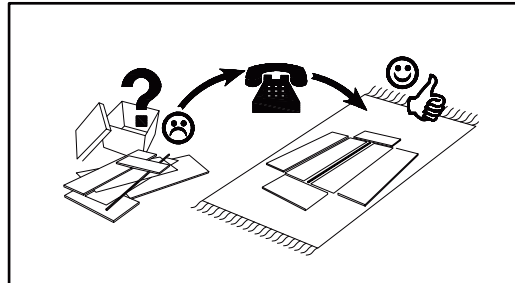
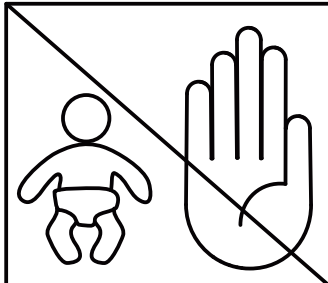
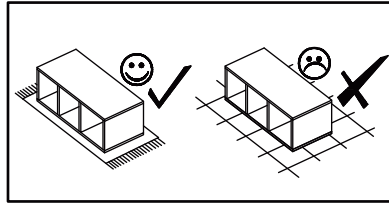
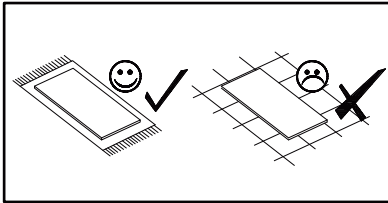
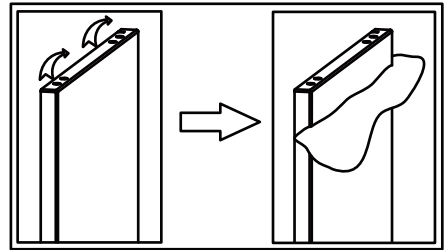


90 min

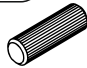



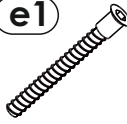

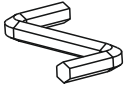


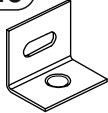
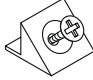
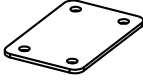
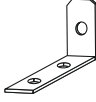

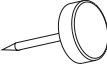
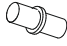




| NO | Dim.(mm) | | | Col.-No | Qty |
|----|----------|-----|----|---------|-----|
| 1 | 1983 | 380 | 16 | 1/2 | 1 |
| 2 | 1983 | 380 | 16 | 1/2 | 1 |
| 3 | 433 | 380 | 16 | 2/2 | 1 |
| 4 | 400 | 380 | 16 | 2/2 | 1 |
| 5 | 400 | 360 | 16 | 2/2 | 1 |
| 6 | 398 | 355 | 16 | 2/2 | 3 |
| 7 | 400 | 100 | 16 | 2/2 | 1 |
| 8 | 360 | 70 | 16 | 2/2 | 1 |
| 9 | 360 | 70 | 16 | 2/2 | 1 |
| 10 | 310 | 90 | 20 | 2/2 | 1 |
| 11 | 310 | 90 | 20 | 2/2 | 1 |
| 12 | 350 | 64 | 16 | 2/2 | 1 |
| 13 | 350 | 64 | 16 | 2/2 | 1 |

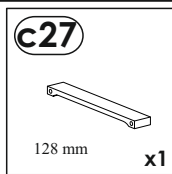
| NO | Dim.(mm) | | | Col.-No | Qty |
|----|----------|-----|----|---------|-----|
| 14 | 226 | 64 | 16 | 2/2 | 1 |
| 15 | 310 | 90 | 20 | 2/2 | 1 |
| 16 | 236 | 344 | 3 | 1/2 | 1 |
| 17 | 1970 | 60 | 20 | 1/2 | 1 |
| 18 | 1970 | 60 | 20 | 1/2 | 1 |
| 19 | 400 | 40 | 16 | 2/2 | 2 |
| 20 | 435 | 30 | 20 | 2/2 | 1 |
| 21 | 1941 | 414 | 3 | 1/2 | 1 |
| A | | | | 1/2 | 1 |



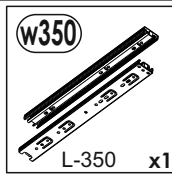
A1

| | | | | | | |
|--|--|--|---|--|--|---|
| <p>f1</p>  <p>φ8x30 mm x28</p> | <p>r16</p>  <p>x34</p> | <p>o21</p>  <p>x2</p> | <p>r1</p>  <p>x34</p> | <p>e1</p>  <p>φ6.5x50 mm x4</p> | <p>t17</p>  <p>φ8x50 mm x1</p> | <p>z1</p>  <p>x1</p> |
| <p>s1</p>  <p>x4</p> | <p>s2</p>  <p>x34</p> | <p>n6</p>  <p>x4</p> | <p>l2</p>  <p>x12</p> | <p>n15</p>  <p>x4</p> | <p>n14</p>  <p>x1</p> | <p>j2</p>  <p>M4x20 mm x2</p> |
| <p>k1</p>  <p>x4</p> | <p>d1</p>  <p>φ5x17 mm x12</p> | <p>p1</p>  <p>φ3.5x13 mm x38</p> | <p>p4</p>  <p>φ3.5x16 mm x3</p> | | | |

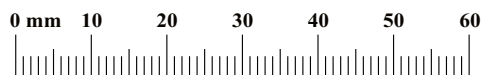
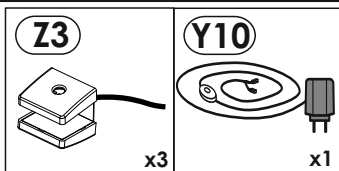
A2

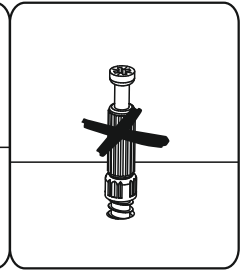
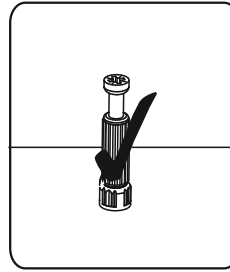
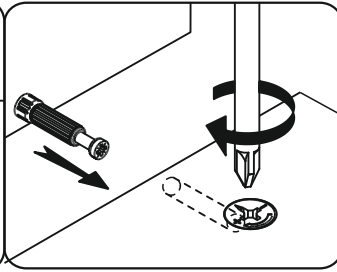
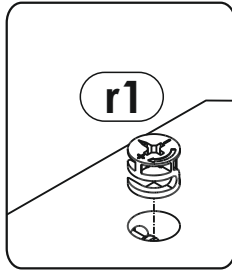
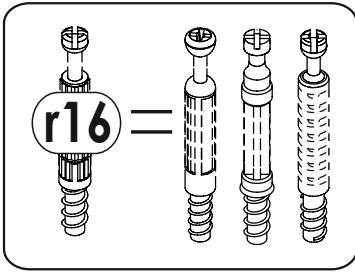


A3

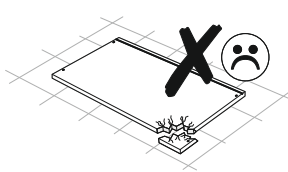
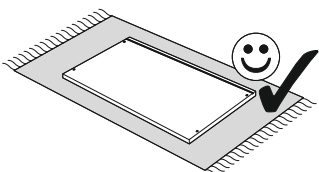
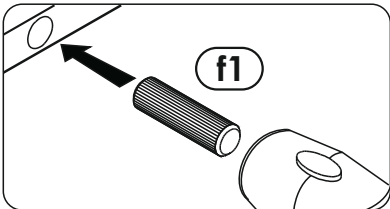
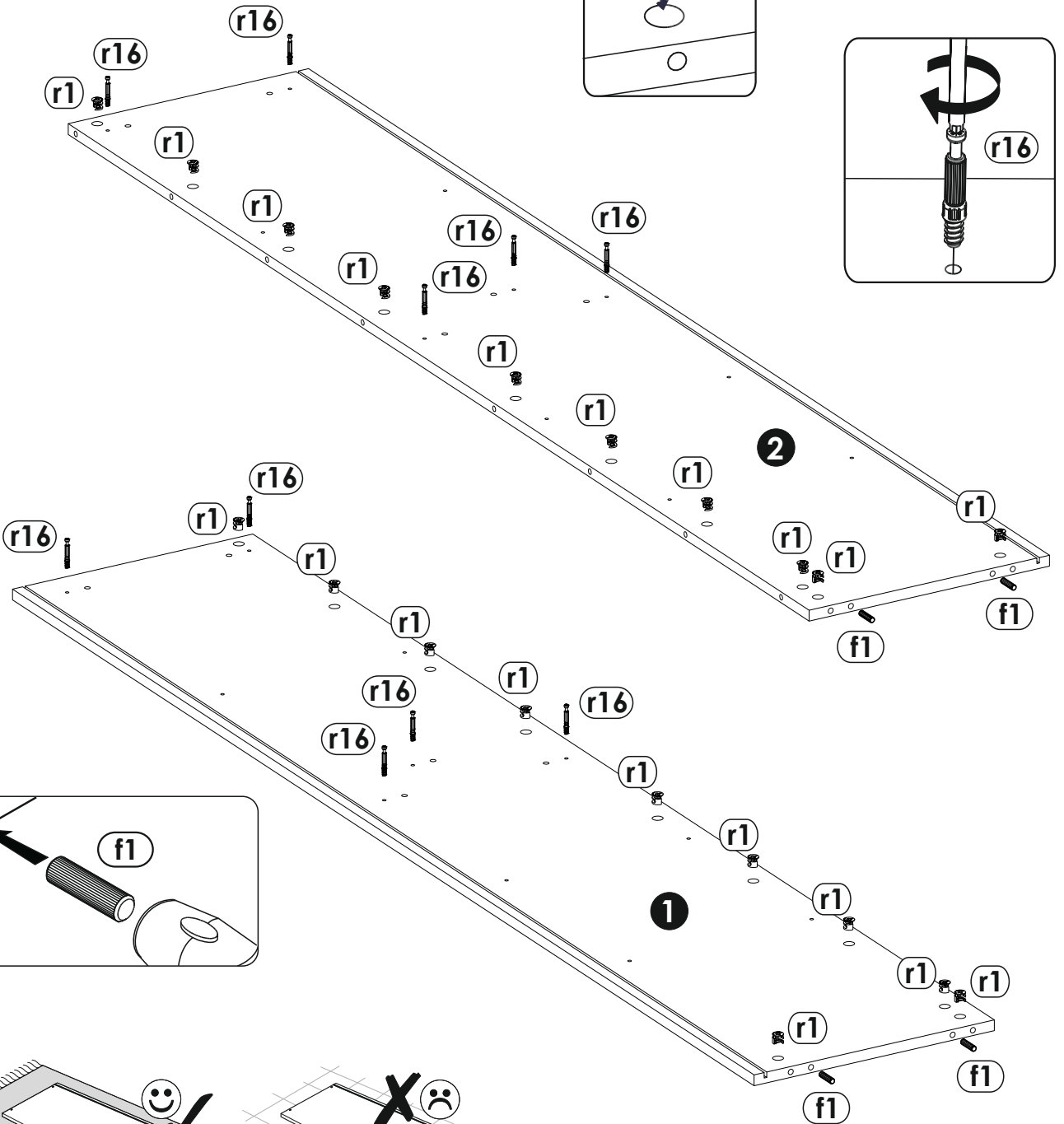
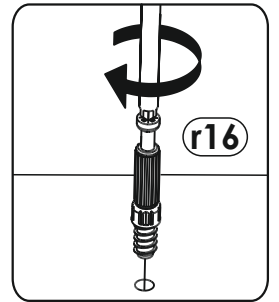
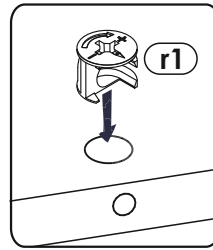
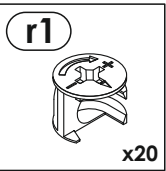
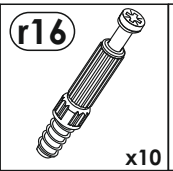
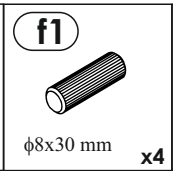




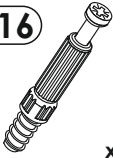


A4

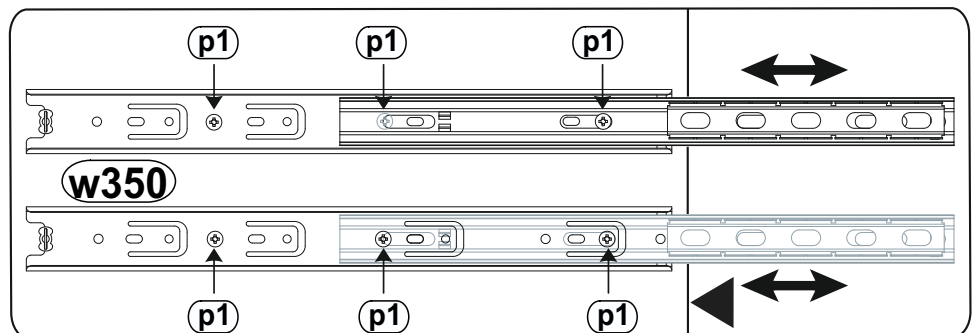
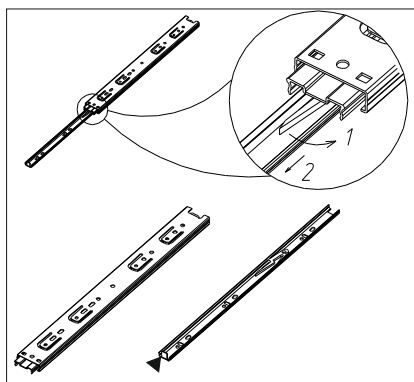
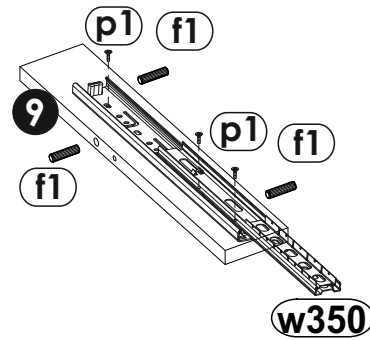
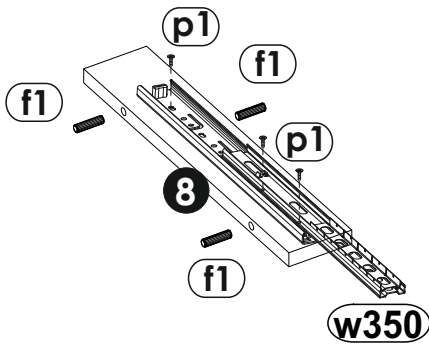
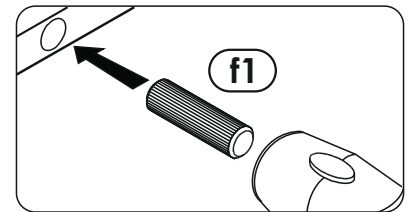
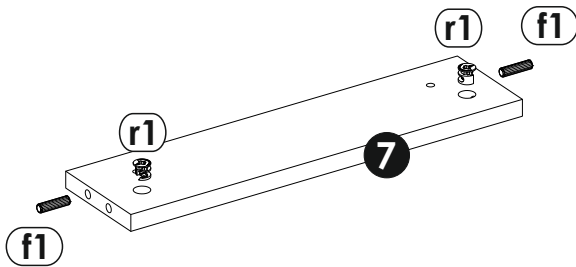
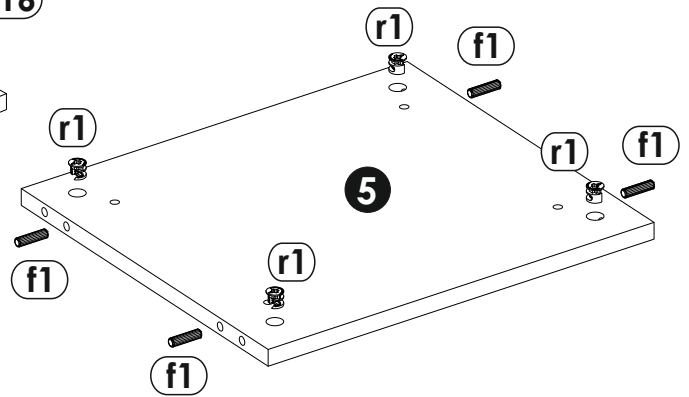
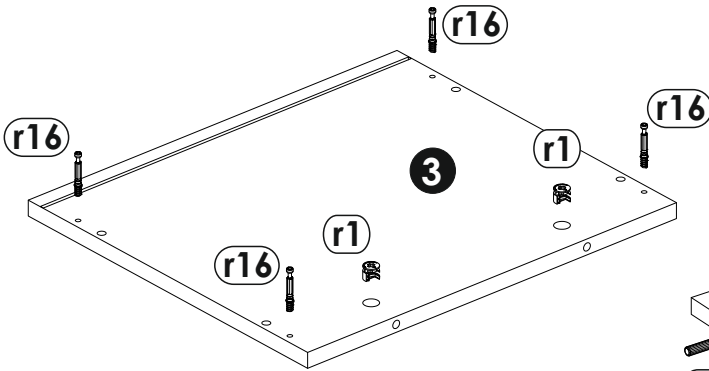
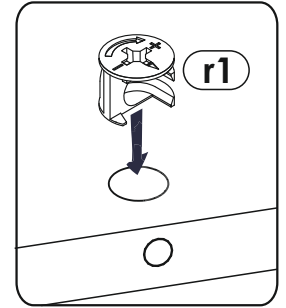
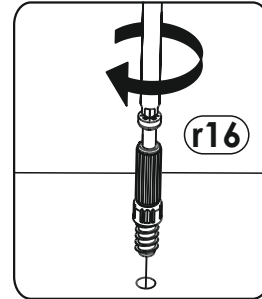
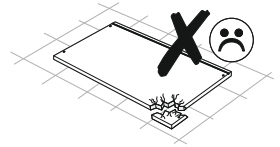
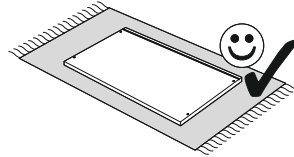




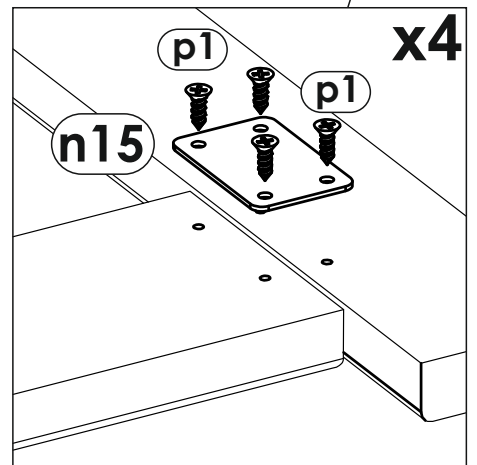
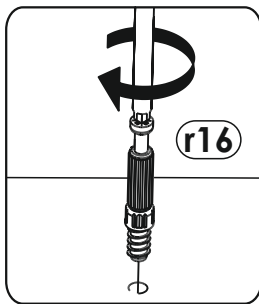
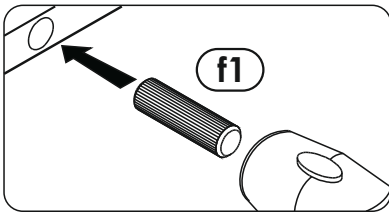
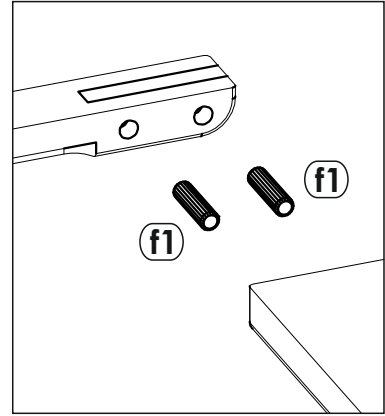
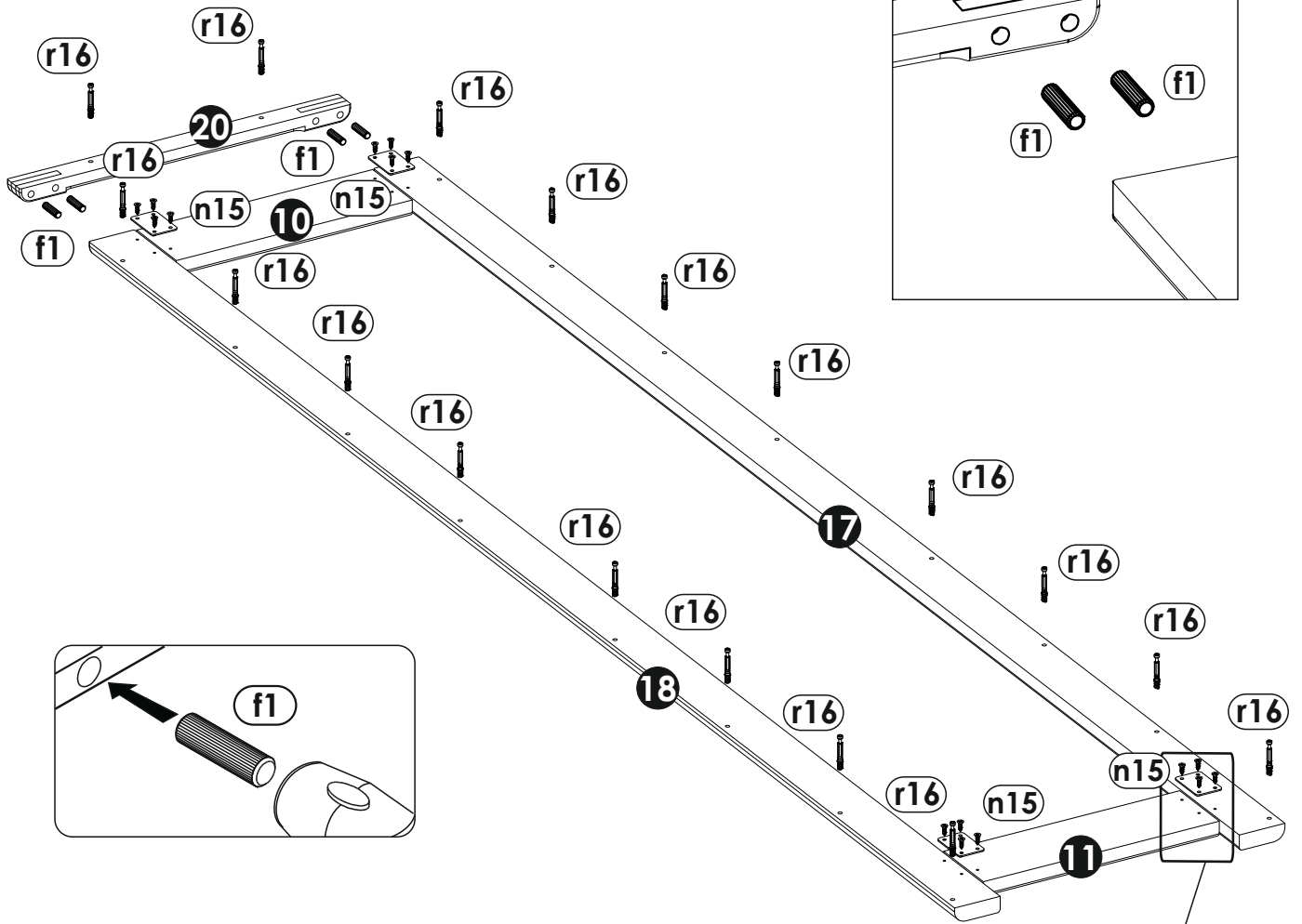
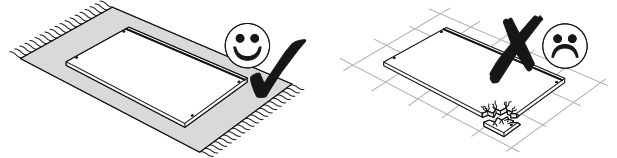
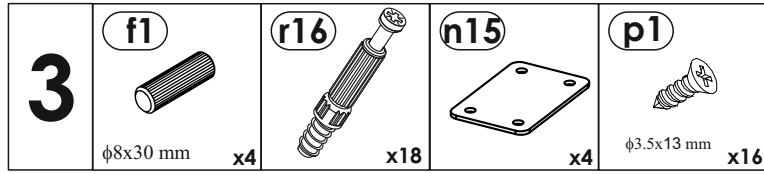
1

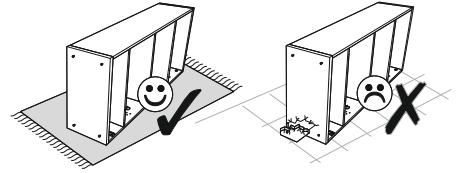



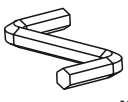
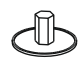
| | | | |
|----------|--|---|---|
| 2 | f1  x12 | r1  x8 | r16  x4 |
| | p1  φ3.5x13 mm x6 | w350  L-350 x1 | |

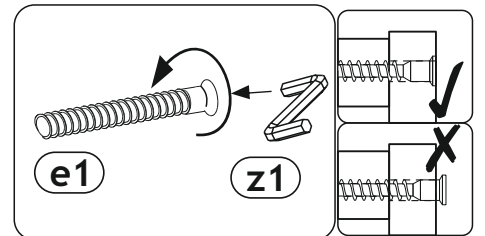
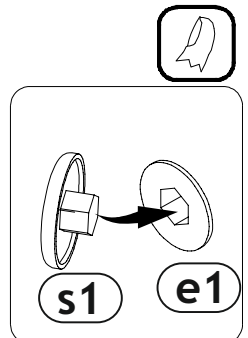
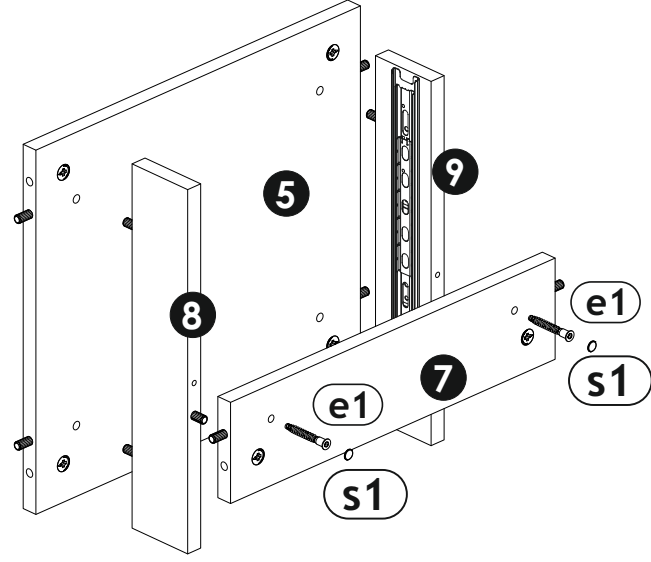


Nature One 12 18 FF 05

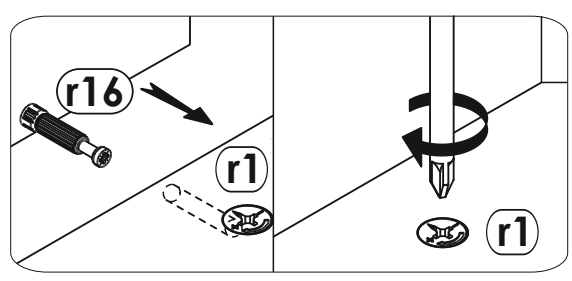
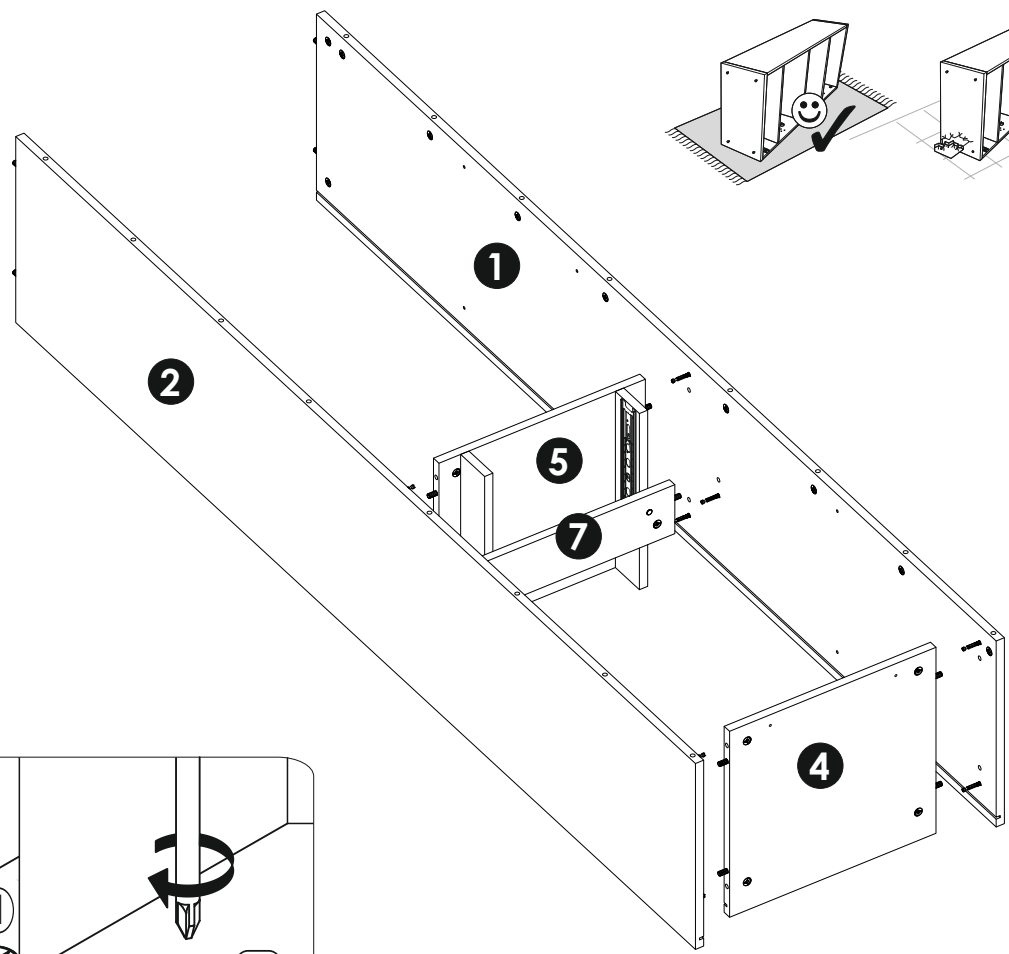
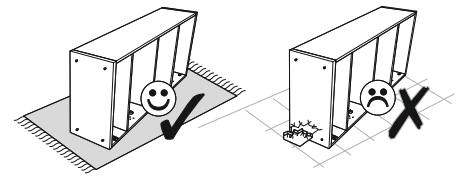




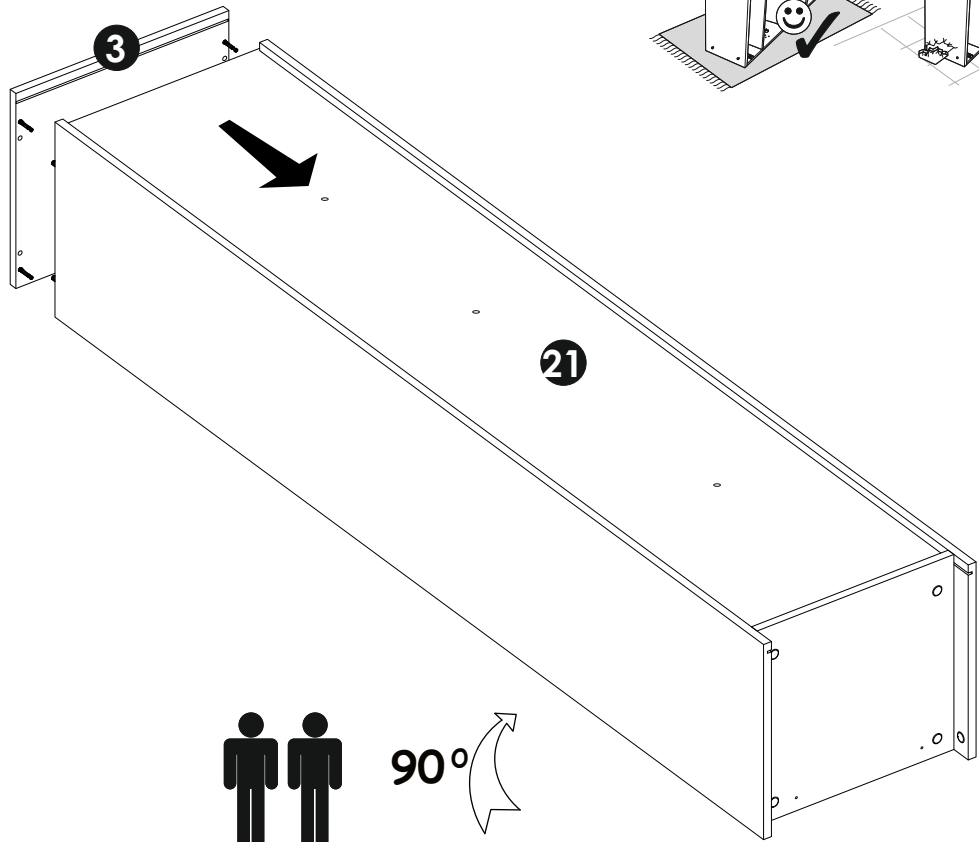
| | | | |
|----------|--|---|---|
| 4 |  e1 φ6.5x50 mm x2 |  z1 x1 |  s1 x2 |
|----------|--|---|---|



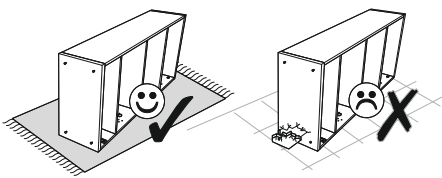
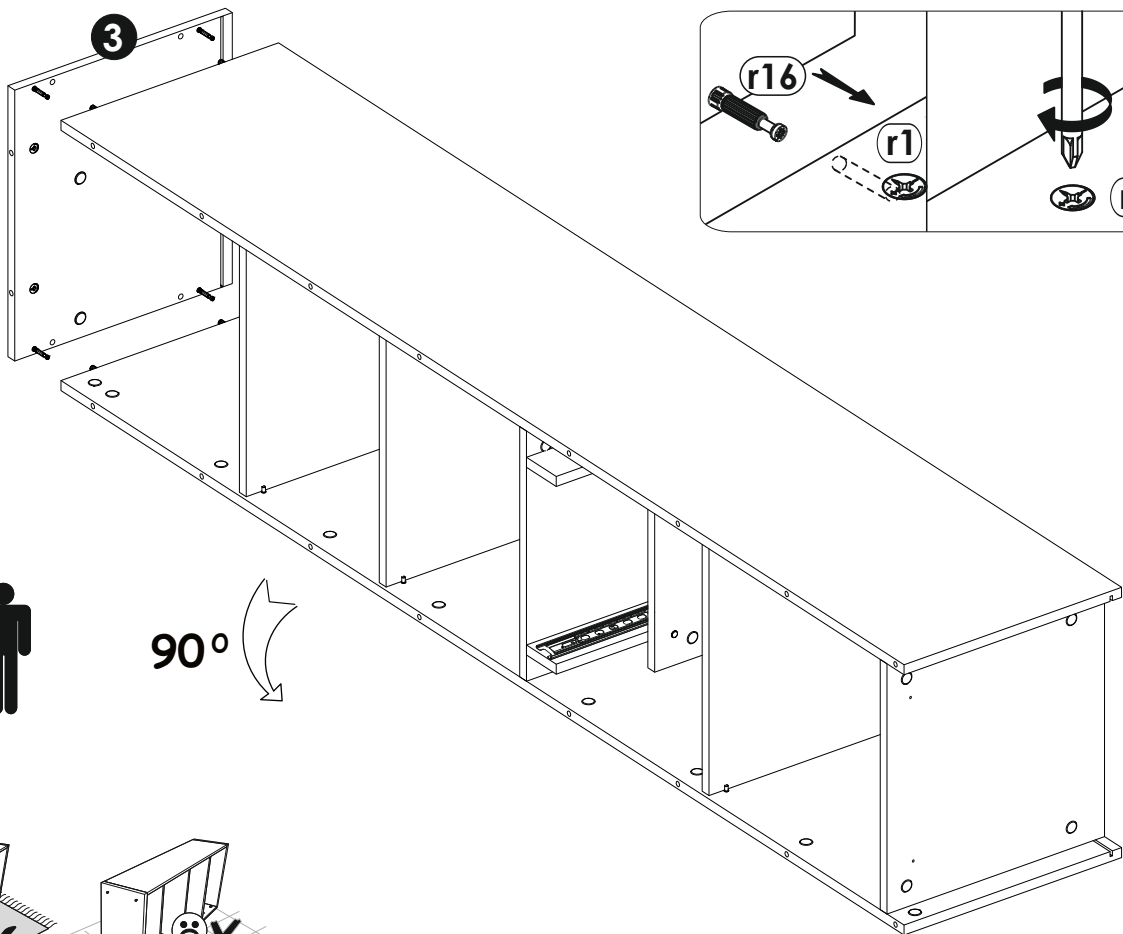
5

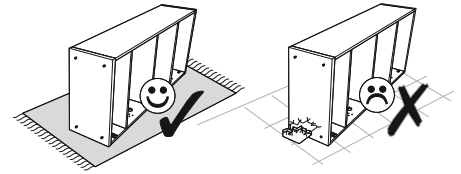


6

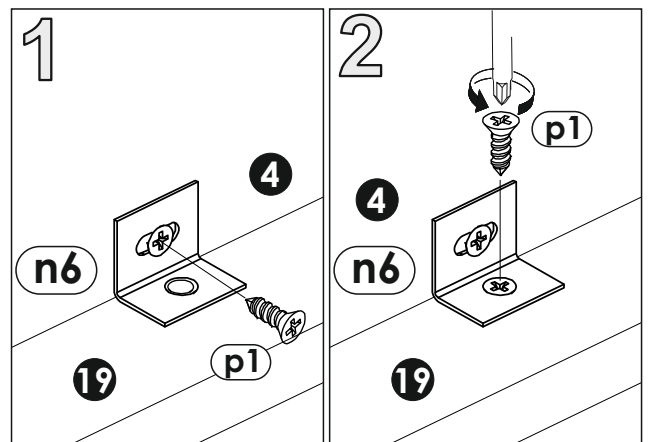
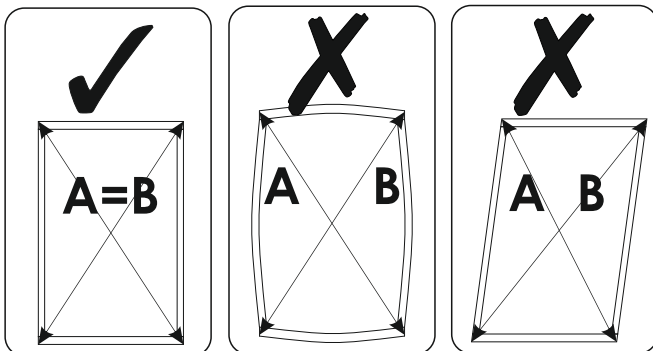
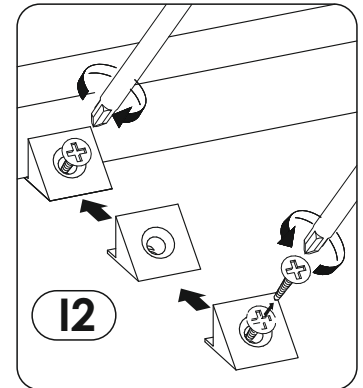
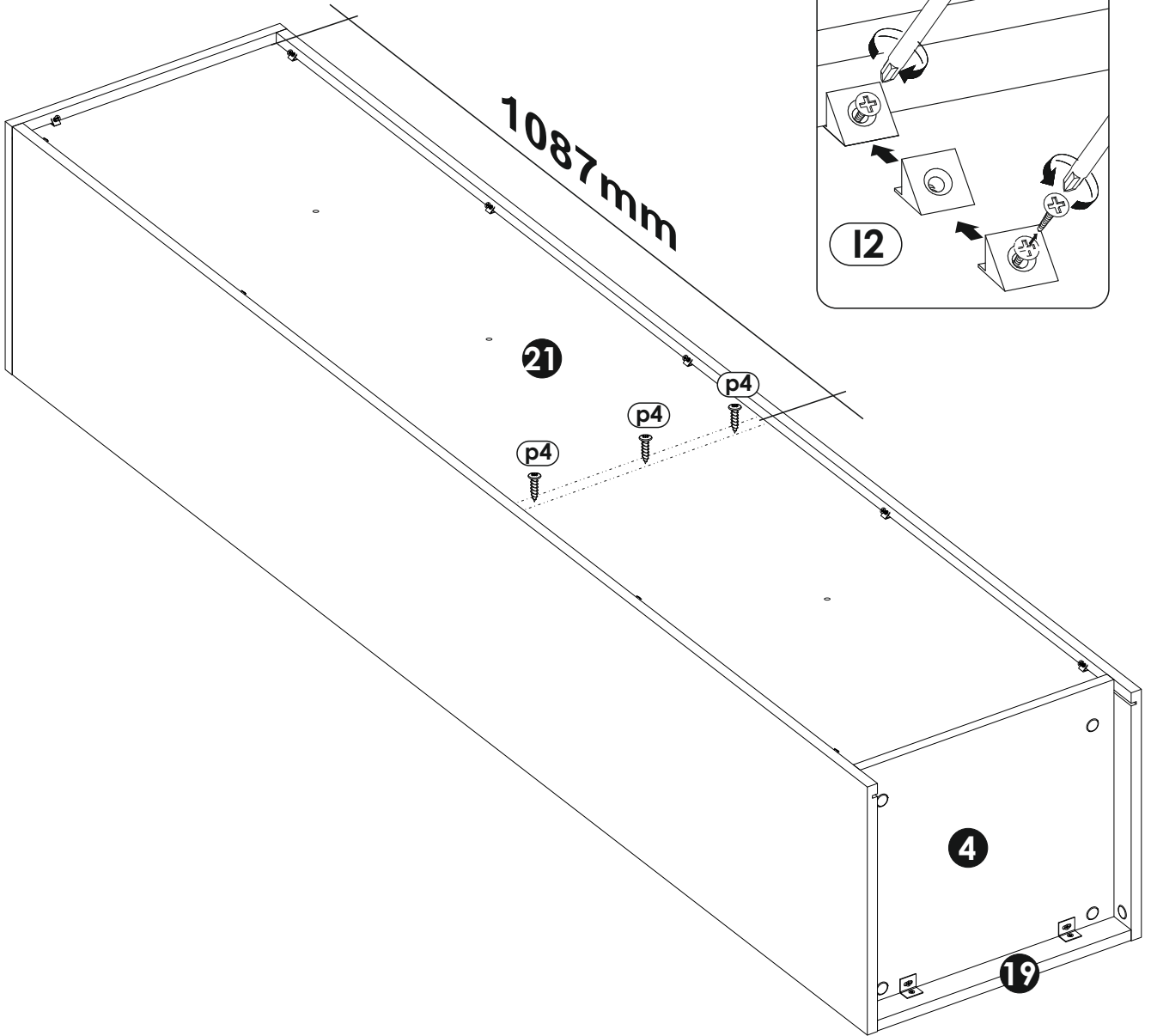


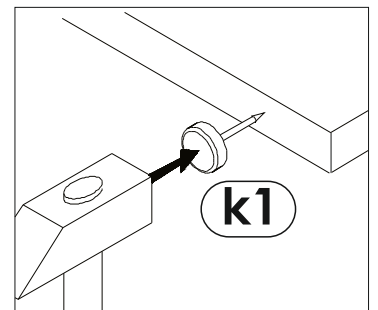
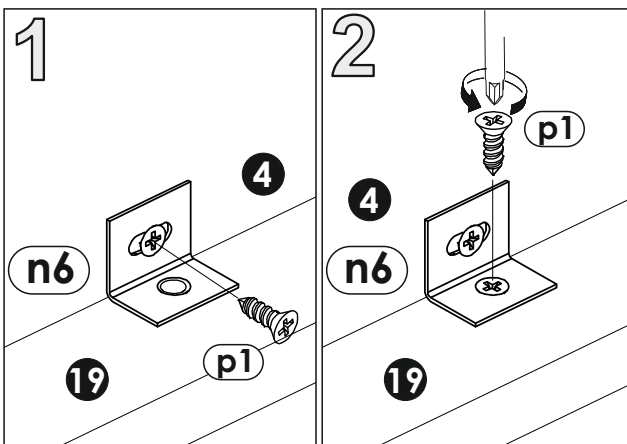
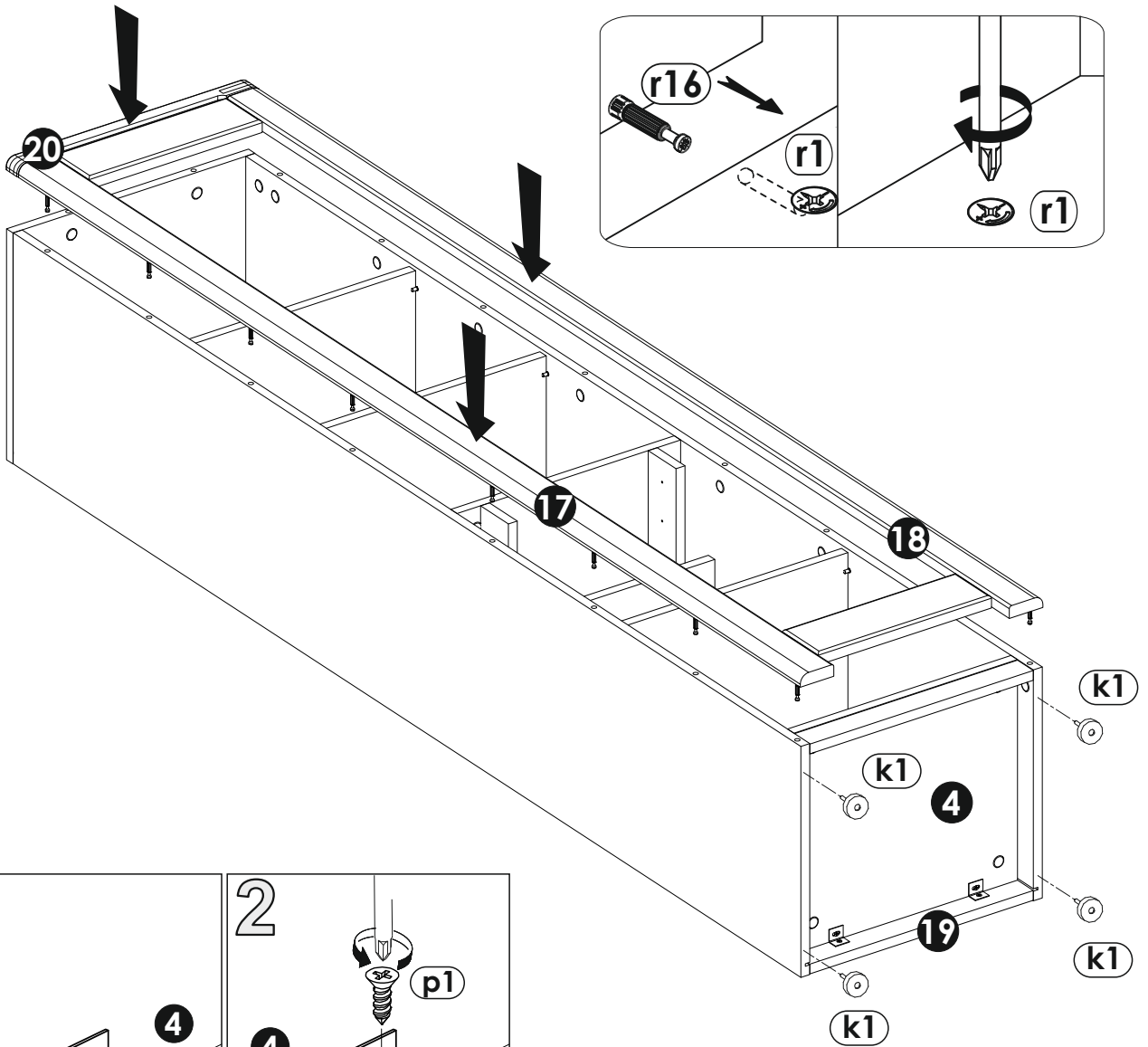
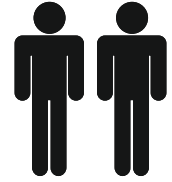
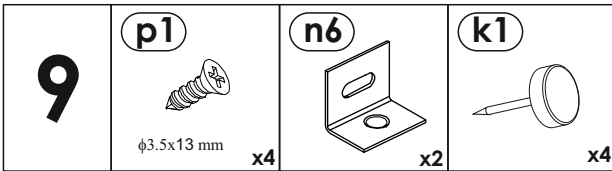
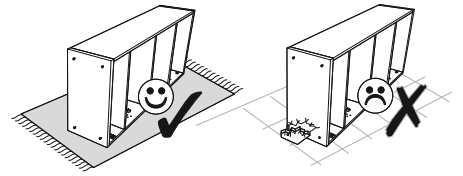
7


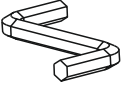


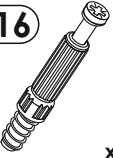



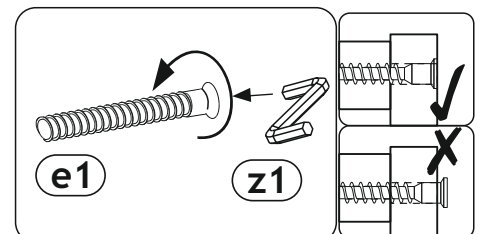
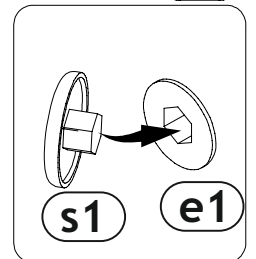
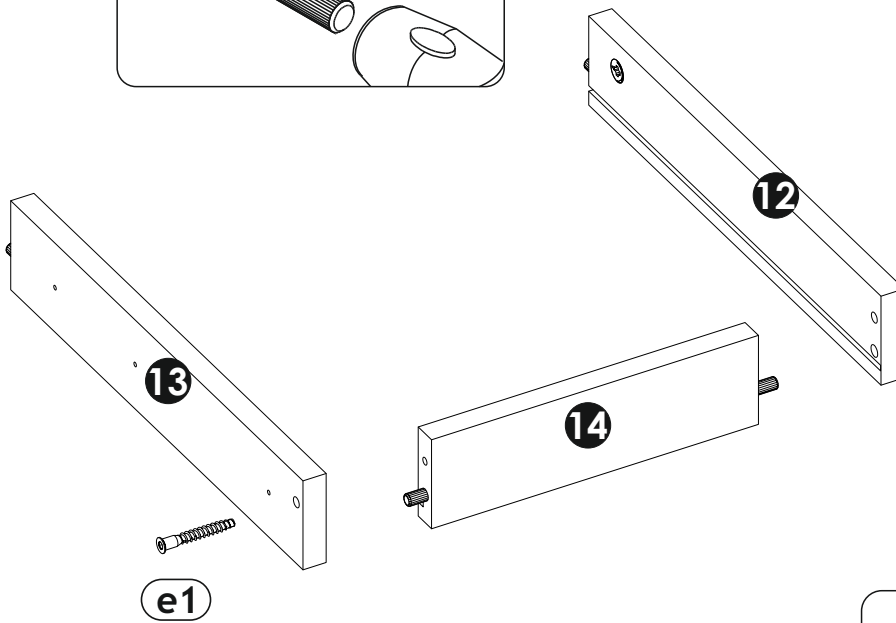
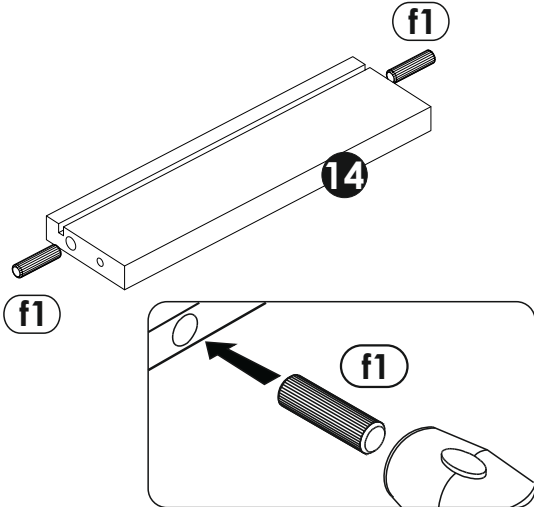
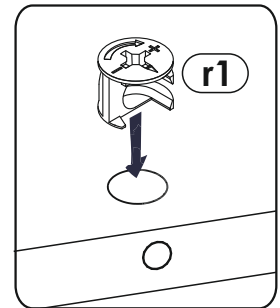
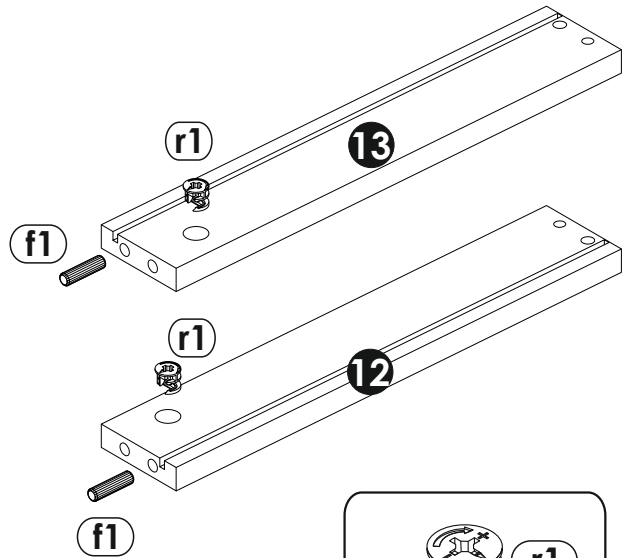
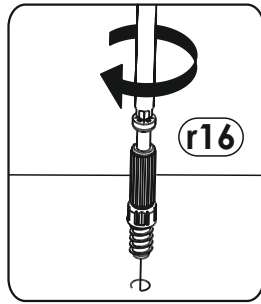
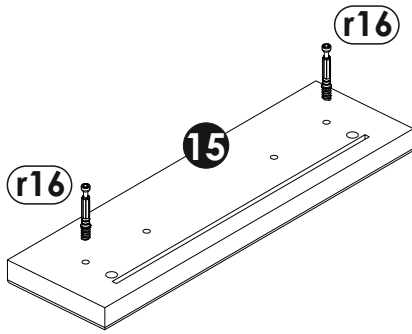
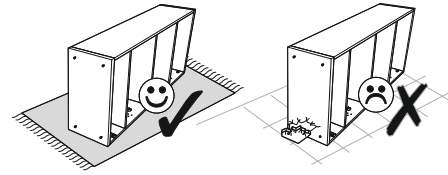


| | | | | |
|----------|------------------------|----------------------------------|-----------------------|----------------------------------|
| 7 | (I2) x12 | (p1) φ3.5x13 mm x4 | (n6) x2 | (p4) φ3.5x16 mm x3 |
|----------|------------------------|----------------------------------|-----------------------|----------------------------------|



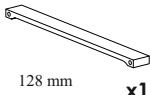


| | | | |
|-----------|---|---|--|
| 10 | e1  φ6.5x50 mm x2 | z1  x1 | s1  x2 |
| | f1  φ8x30 mm x4 | r16  x2 | r1  x2 |



11

c27



x1

j2



x4

p1

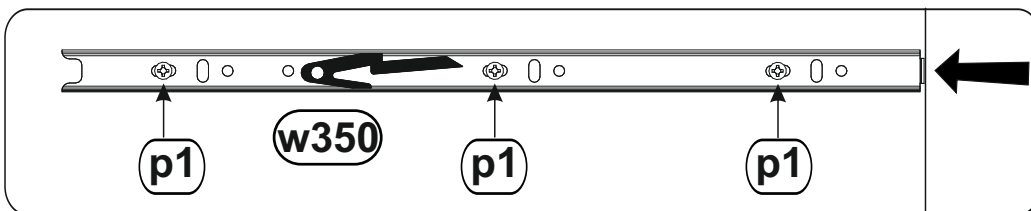
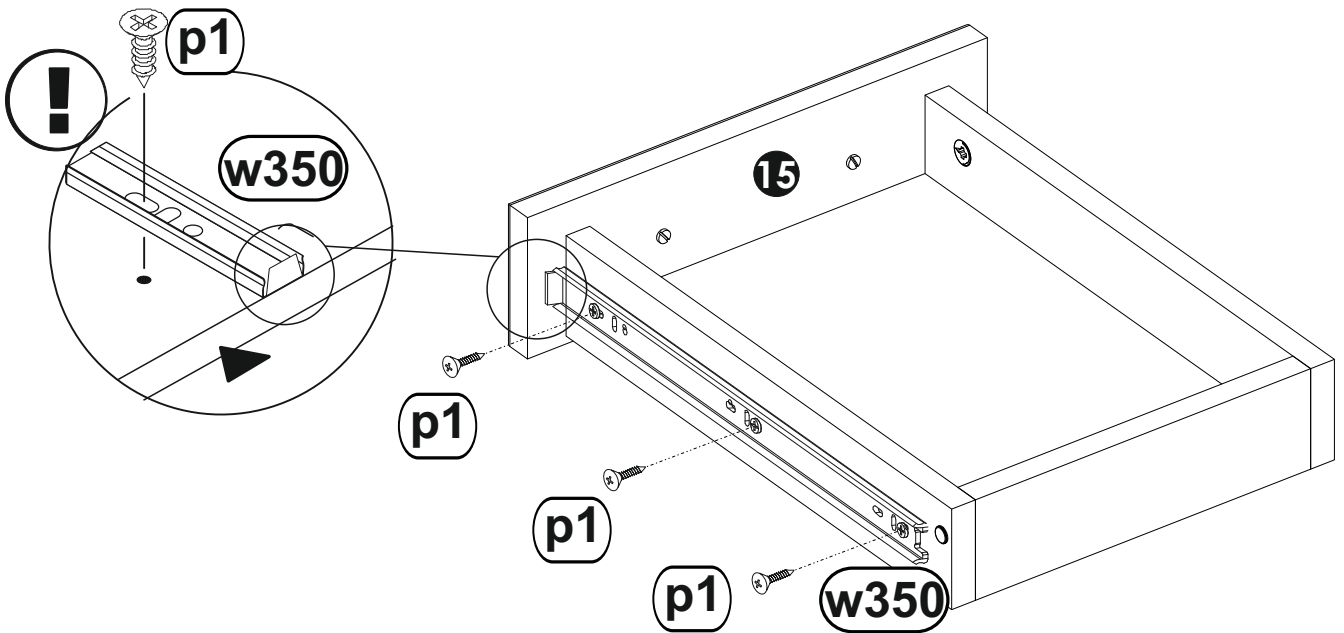
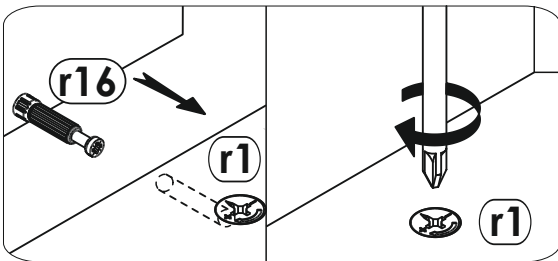
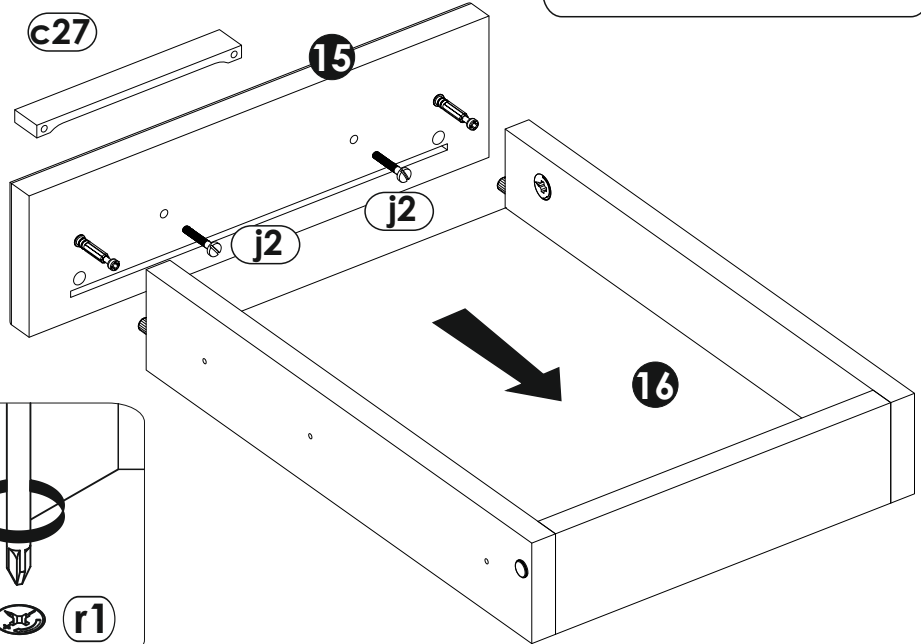
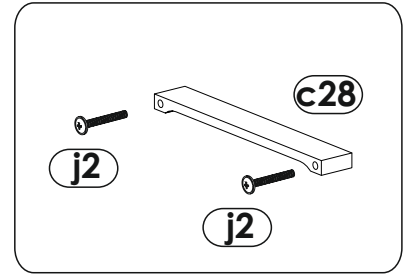


x6

w350



x1



12

o21



x2

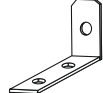
t17



φ8x50 mm

x1

n14



x1

p1



φ3.5x13 mm

x2

d1



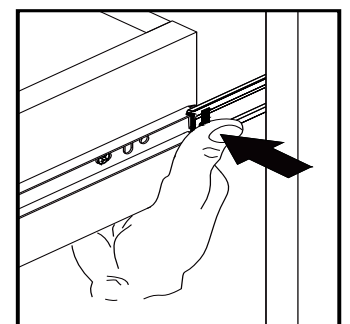
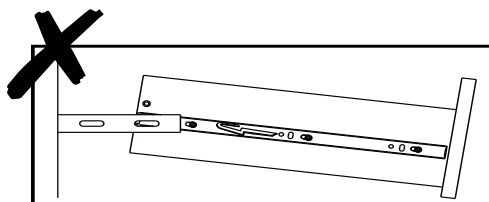
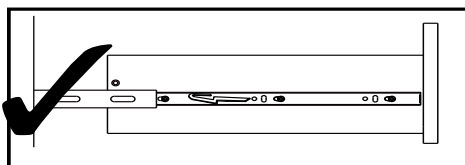
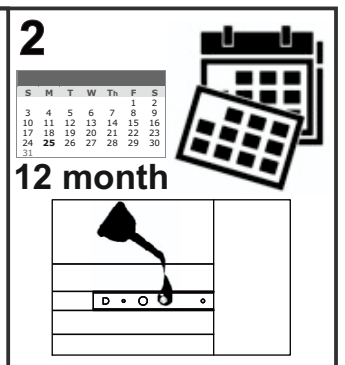
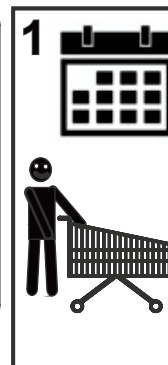
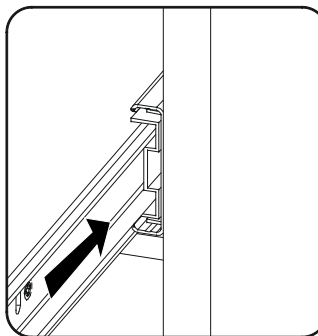
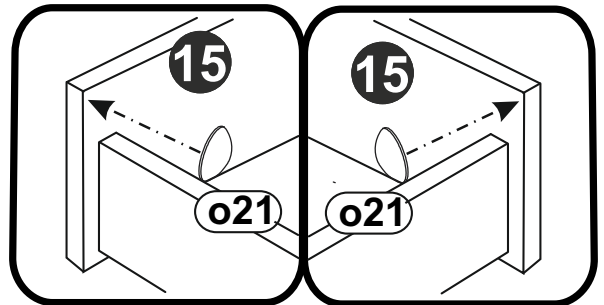
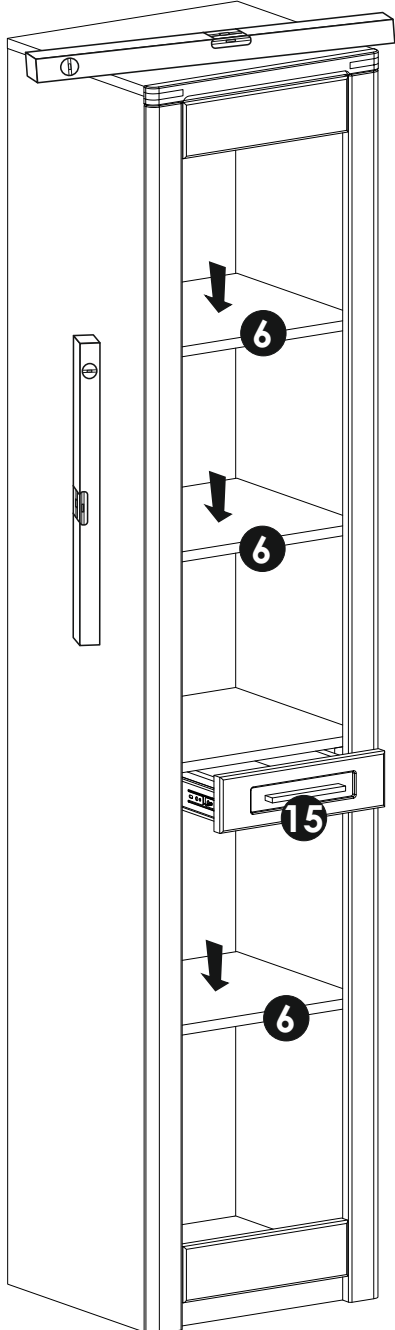
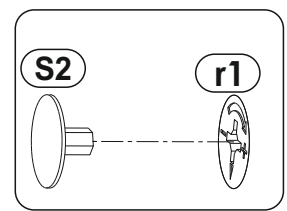
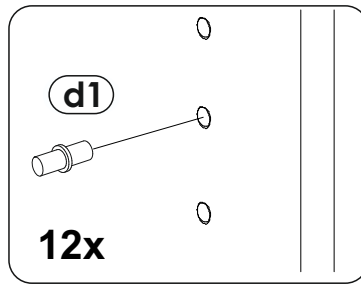
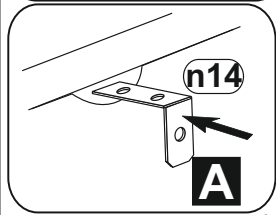
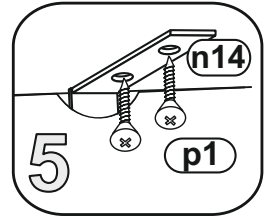
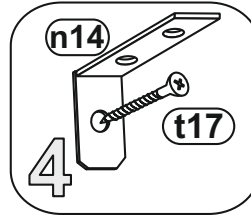
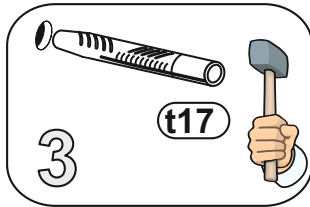
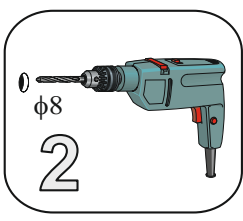
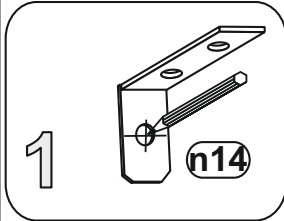
φ5x17 mm

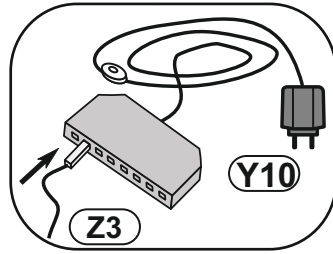
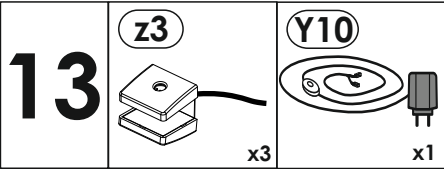
x12

s2



x34





Y10

