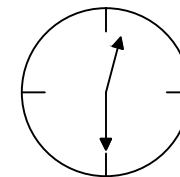
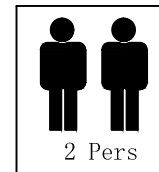
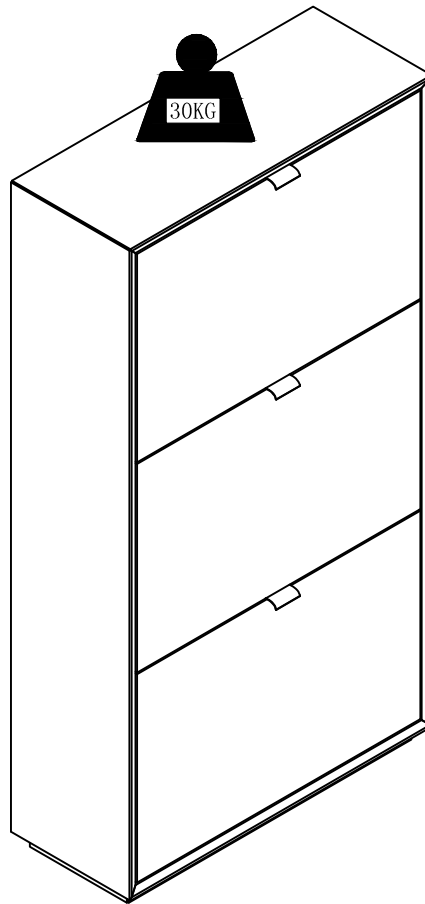


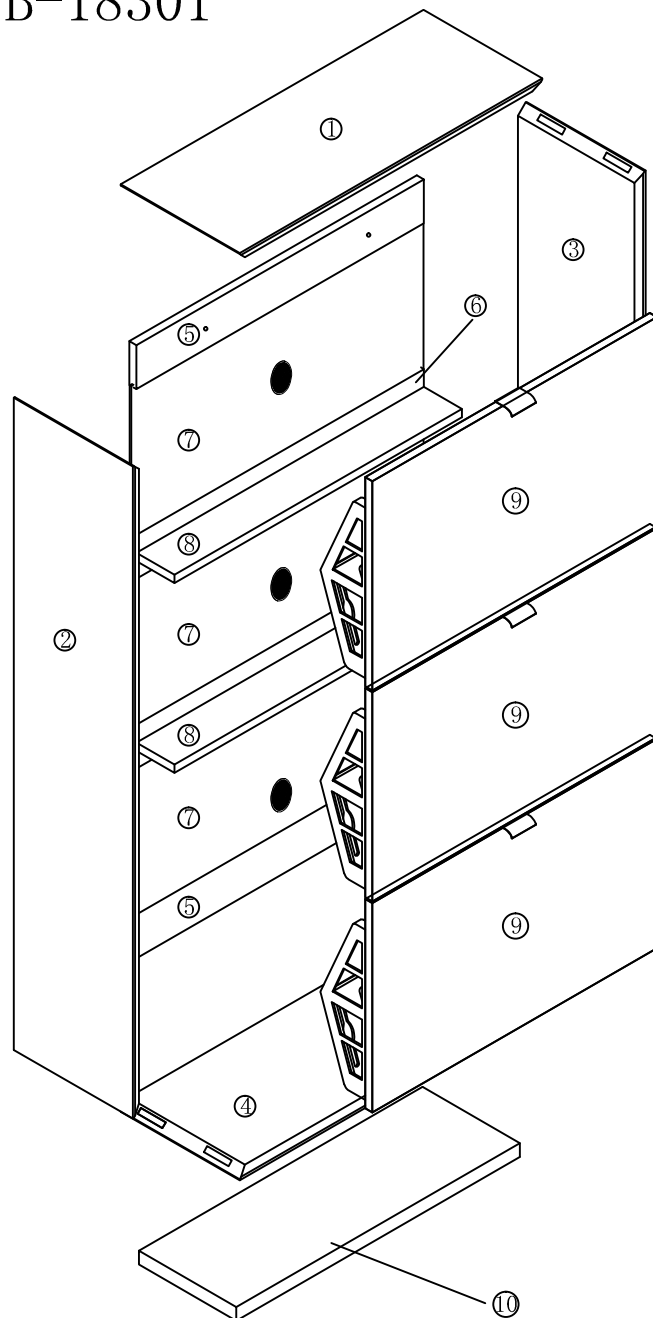
07990010-02

1082376

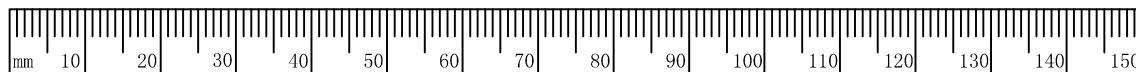
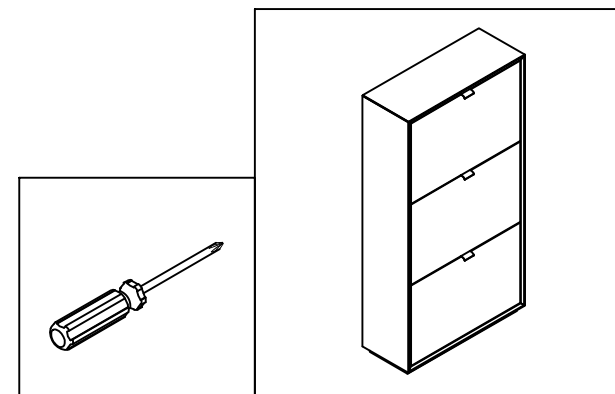


No	Part	Qty
1	top board	1
2	left side board	1
3	right side board	1
4	bottom board	1
5	up/unper side back braces	2
6	middle side back braces	2
7	backplane	3
8	back pulling plate	2
9	skip bucket of surface	3
10	Base	1

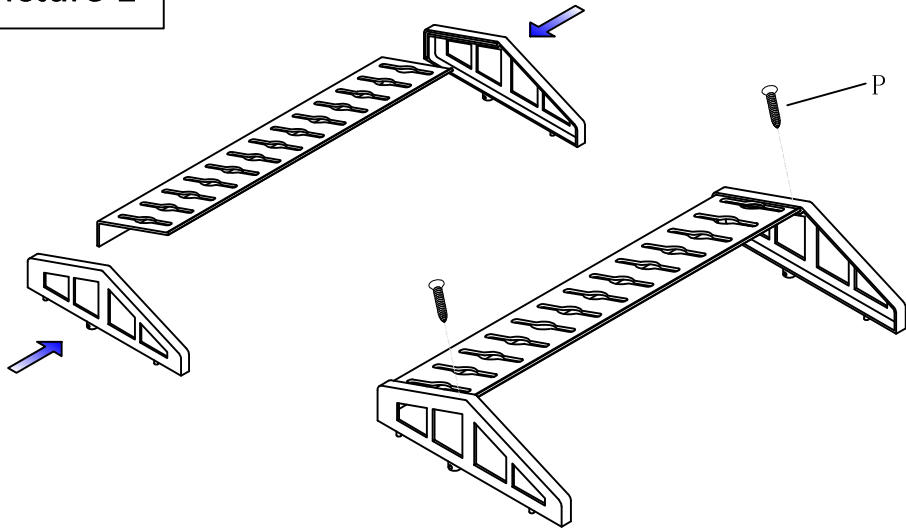
B-18301





NO		Part	Qty
A		big three in one ET-15	24
B		dowel $\phi 8 \times 30$	4
C		handle	3
D		screw $\phi 3.5 \times 14$	6
E		crashworthy tray	12
F		tipping screw $\phi 5 \times 31$	6
G		screw $\phi 4 \times 35$	4
H		ventilate lid $\phi 60 \times 3$	3
I		screw $\phi 5 \times 60$	2
J		colloidal $\phi 8$	2
K		skip bucket shoes cabiret	3
L		screw $\phi 3 \times 12$	12
M		triangle bolt	6
N		screw $\phi 3 \times 14$	6
O		allen key $\phi 4$	1
P		screw $\phi 3 \times 10$	6
Q		gasket $\phi 6$	2

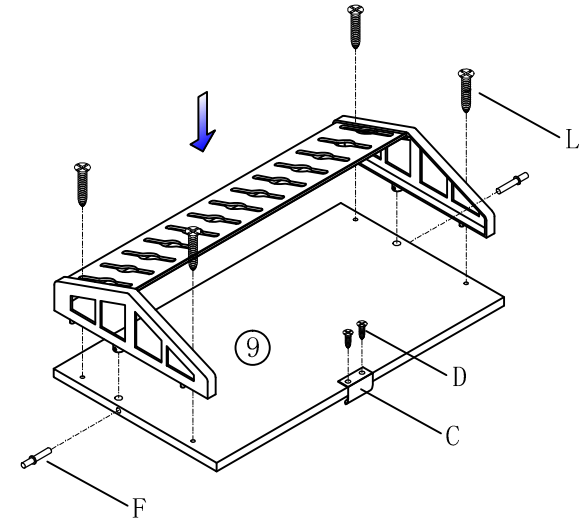






picture 1



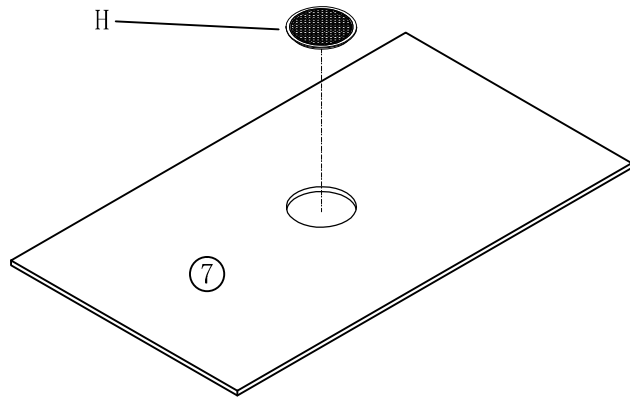
K	3	P	6
			
		$\phi 3 \times 10$	


picture 2



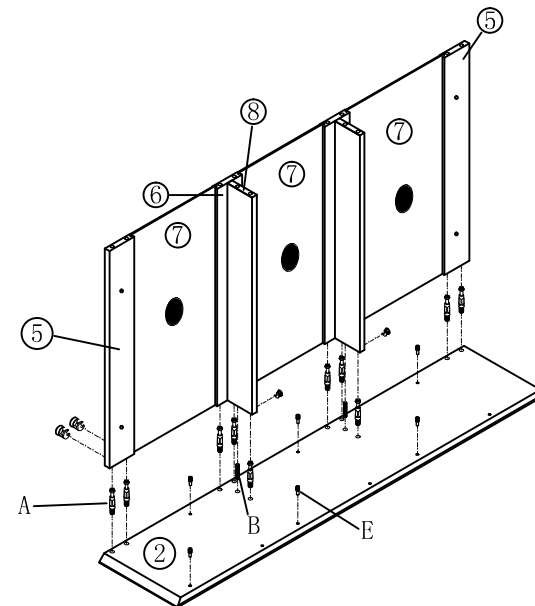
F	6	C	3	D	6	L	12
							
$\phi 5 \times 31$				$\phi 3.5 \times 14$		$\phi 3 \times 12$	




picture 3



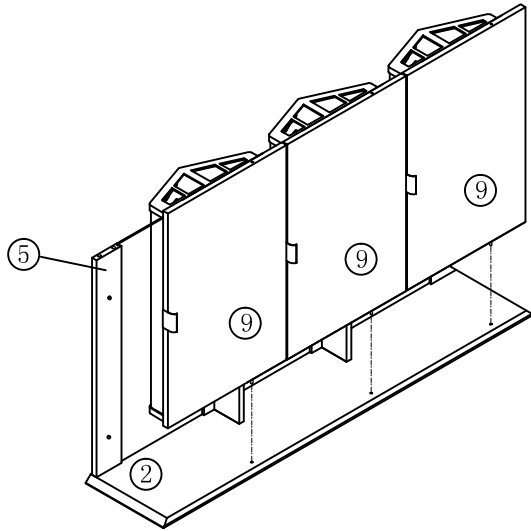
H	3
	
$\phi 60$	

picture 4

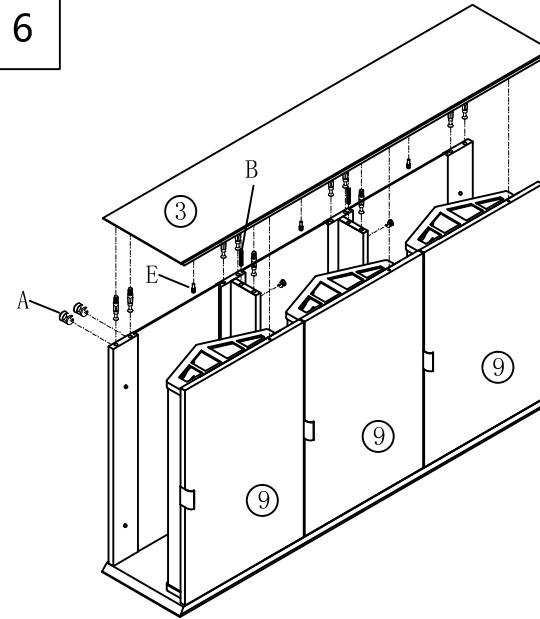





E	6	A	10	B	2
					
		ET-15		$\phi 8 \times 30$	

picture 5

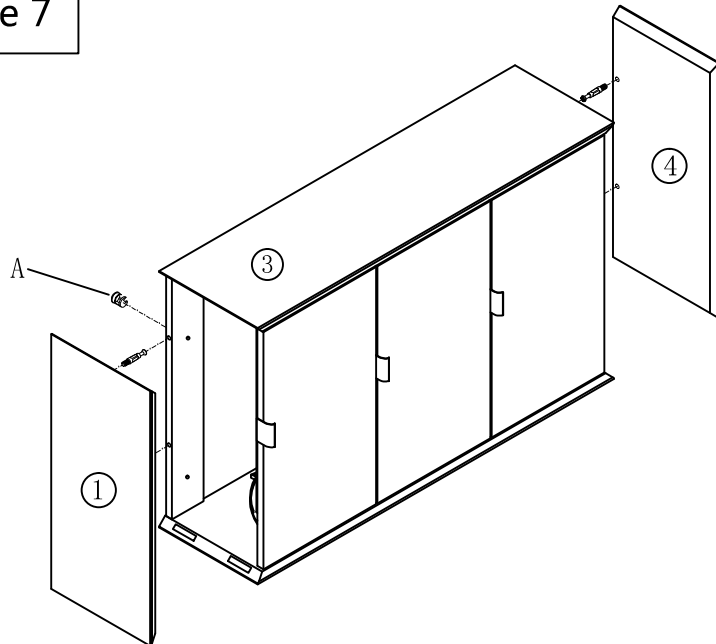



picture 6



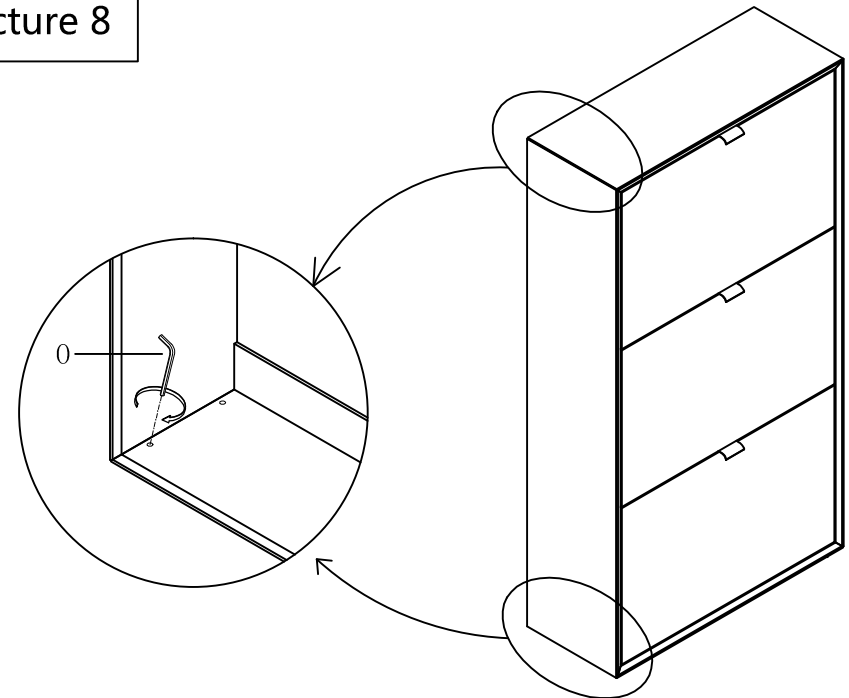
E	6	A	10	B	2
					
		ET-15		ø8*30	


picture 7



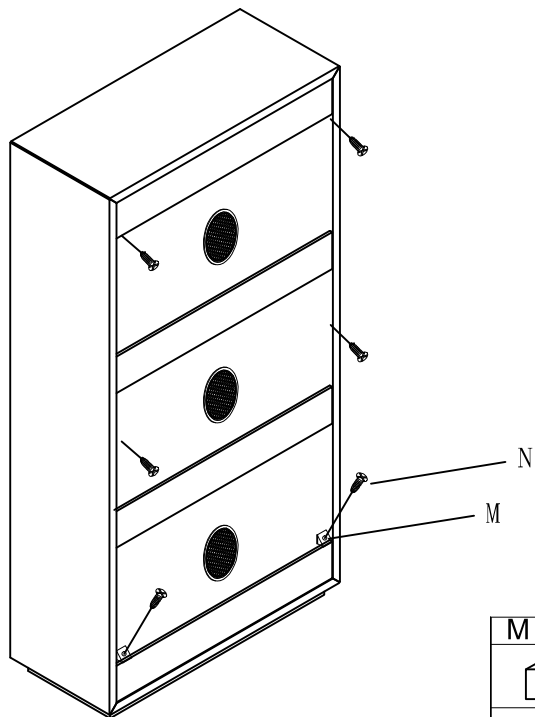
A	4
	
ET-15	



picture 8



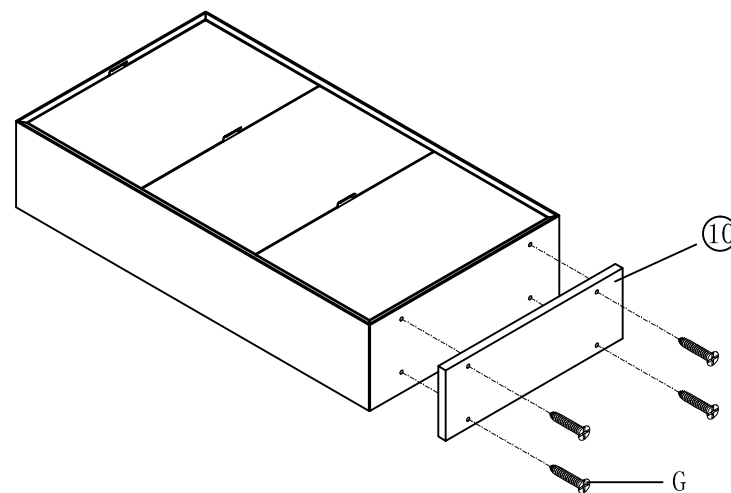
O	1
	
ø4	

picture 9



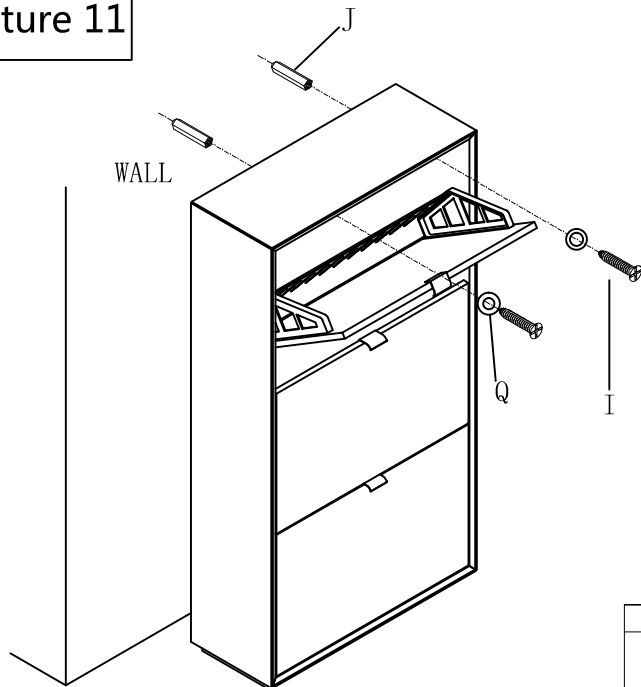
M	6	N	6
			
		Ø3*14	




picture 10



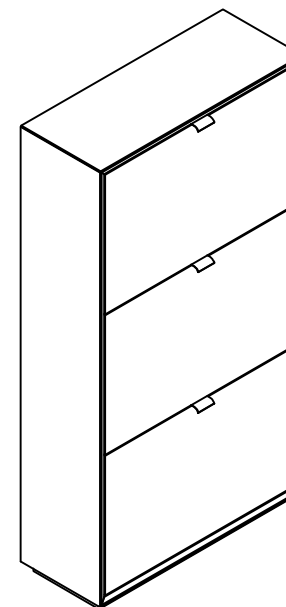
G	4
	
Ø4*35	

picture 11

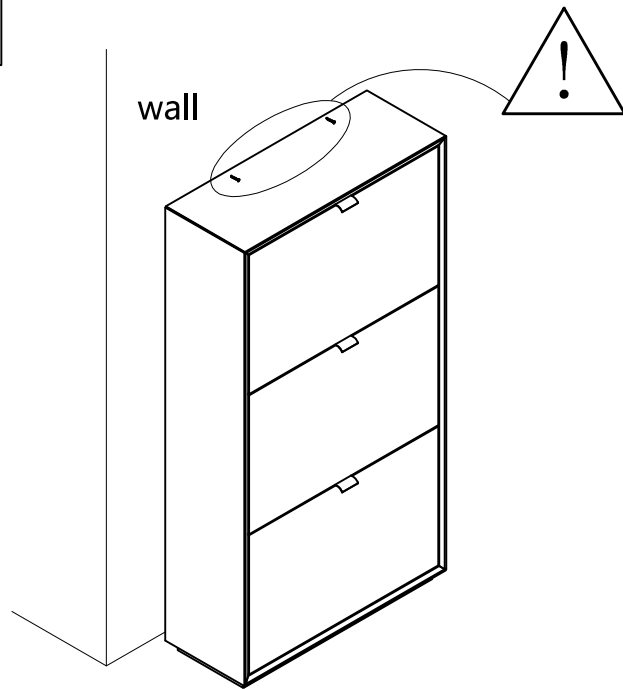


Q	2	I	2	J	2
					
Ø6		Ø5*60		Ø8	

picture 12



picture 13



picture 14

