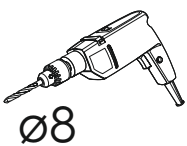
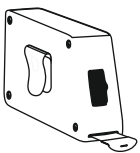
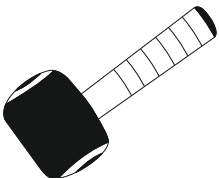
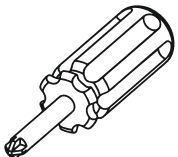
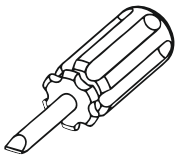
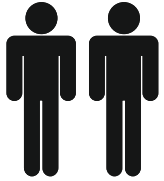


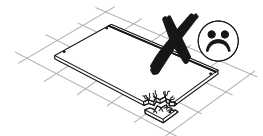
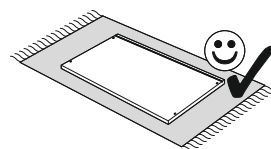
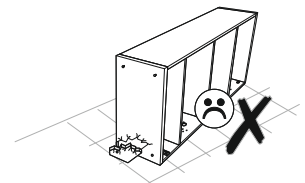
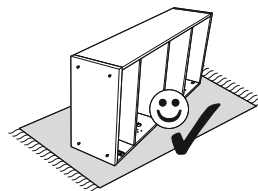
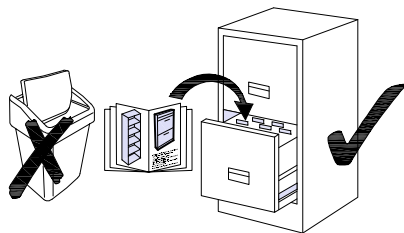
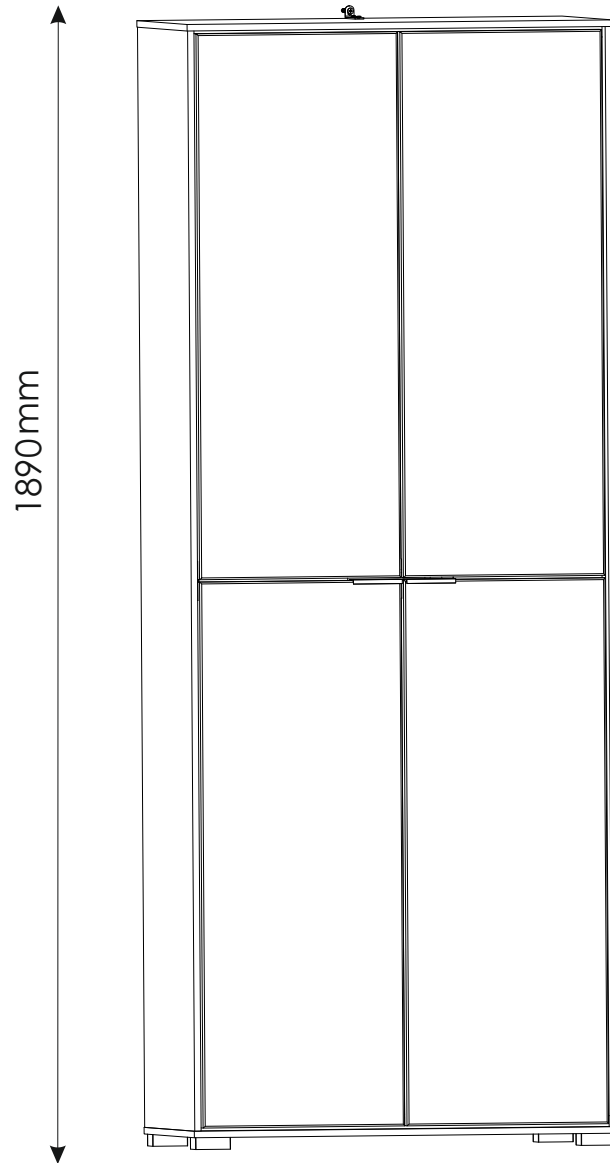


Modell: **DALLAS**

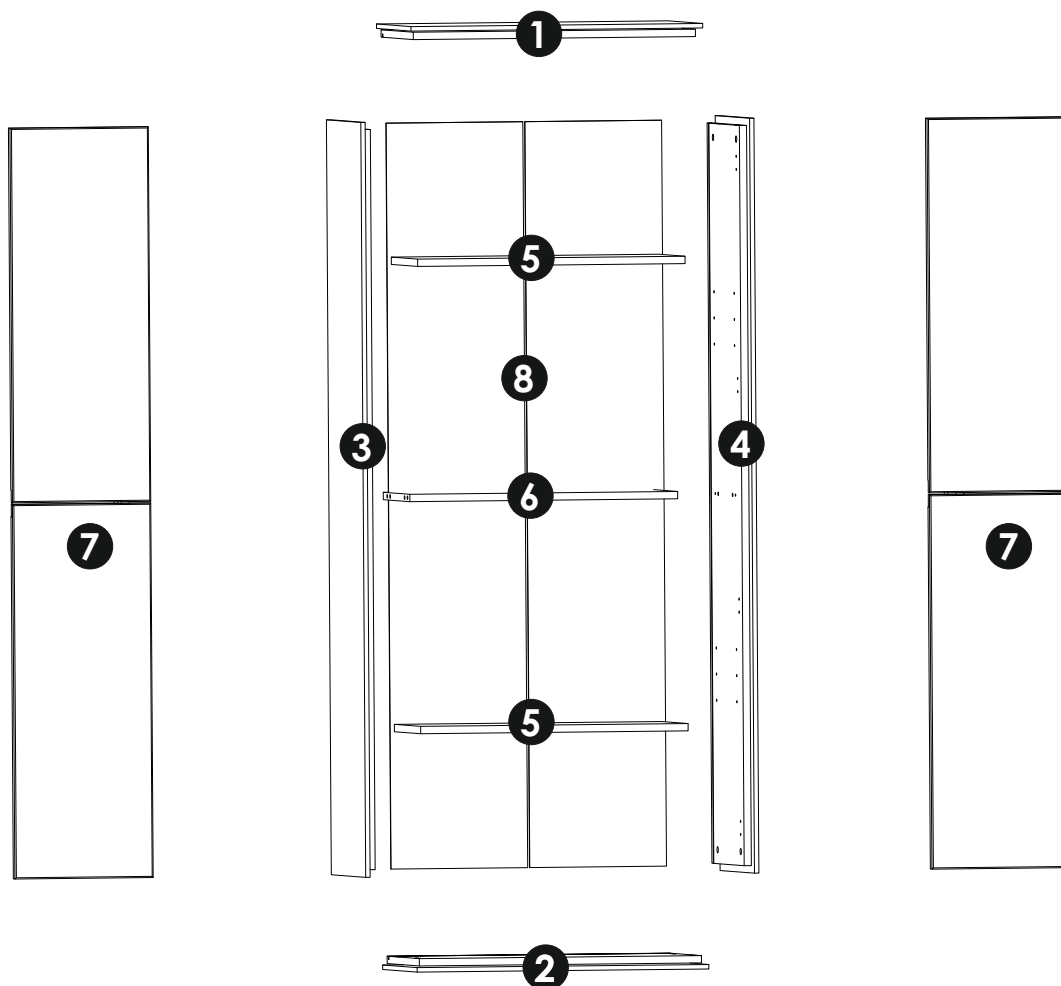
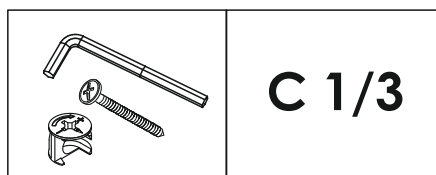
Art. Nr. 14160029/01



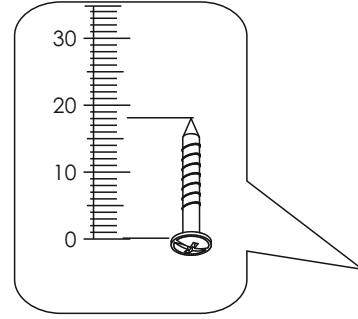
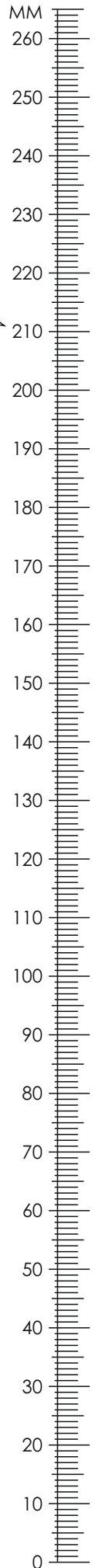
732 mm
382 mm



1	732	382	29	x1	1/3
2	732	382	29	x1	1/3
3	1848	381	29	x1	2/3
4	1848	381	29	x1	2/3
5	671	292	18	x2	1/3
6	672	295	18	x1	1/3
7	1838	347	20	x2	3/3
8	1826	686	3	x1	3/3



DALLAS Art.Nr.14160029/01



A

f1 $\phi 8 \times 30$ mm x12	r16 x12	r1 x12	s2 x12	s11 LINEA NATURA x1	o21 x4
d1 $\phi 5 \times 17$ mm x8					

B

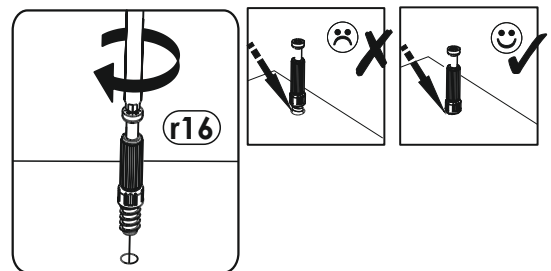
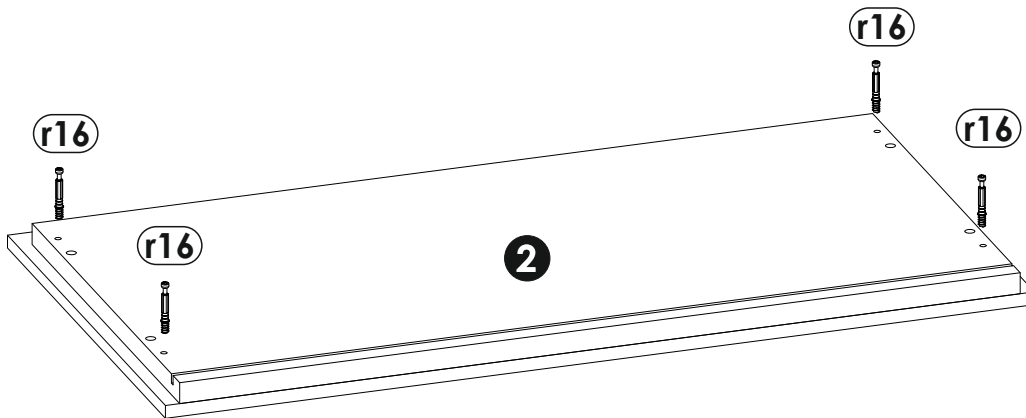
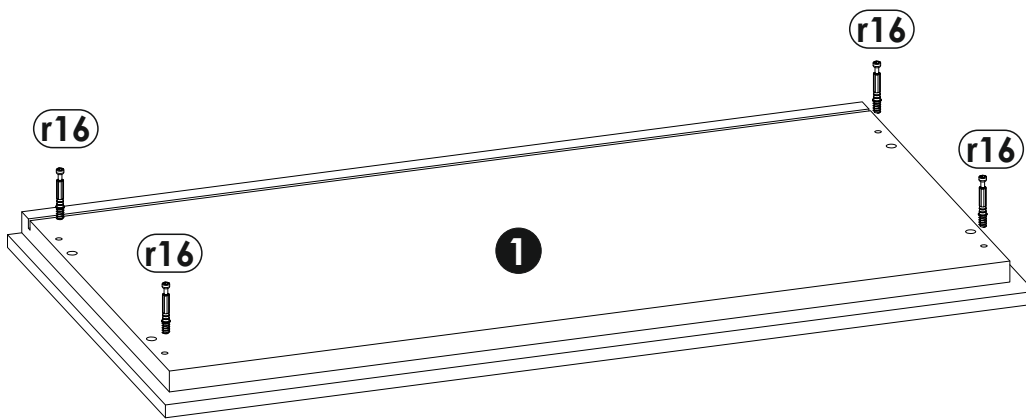
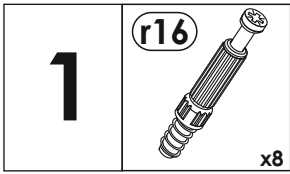
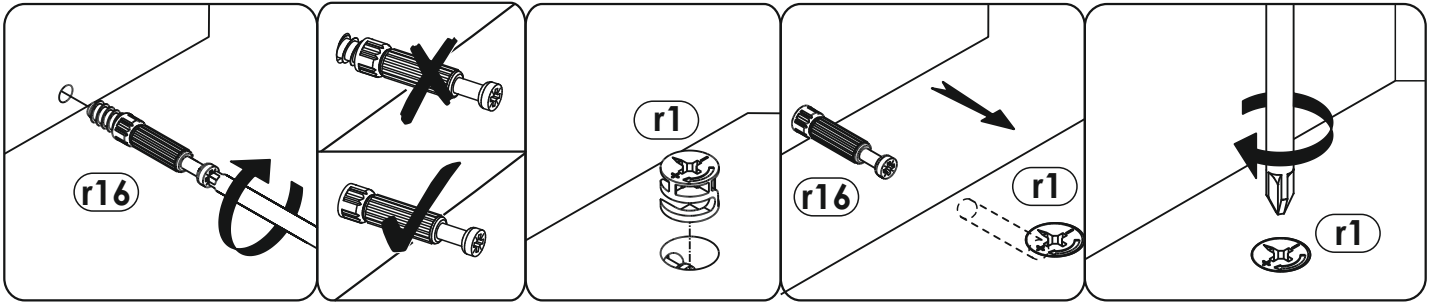
p4 $\phi 3.5 \times 16$ mm x4	p70 $\phi 4 \times 20$ mm x8	i2 x14	p1 $\phi 3.5 \times 13$ mm x22	c8 x2	k40 $\phi 40 \times 60 \times 20$ mm x4
--	---	----------------------	---	---------------------	--

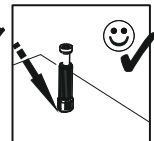
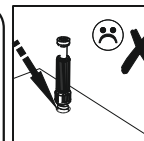
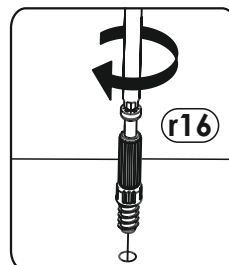
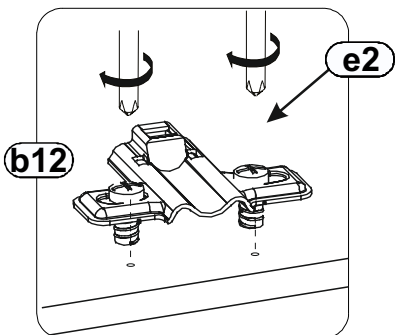
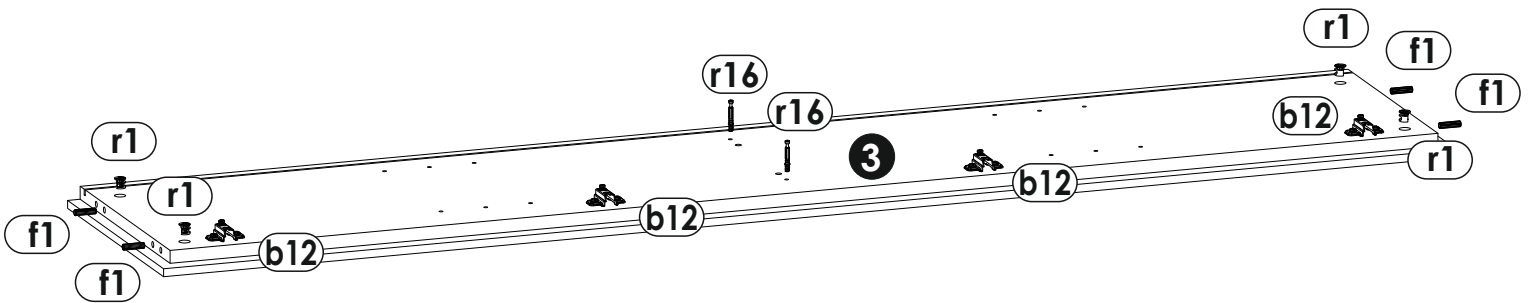
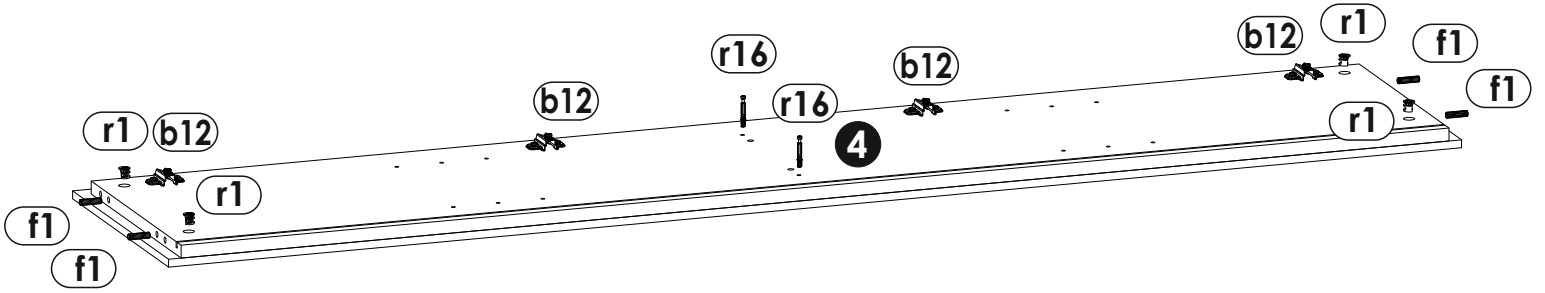
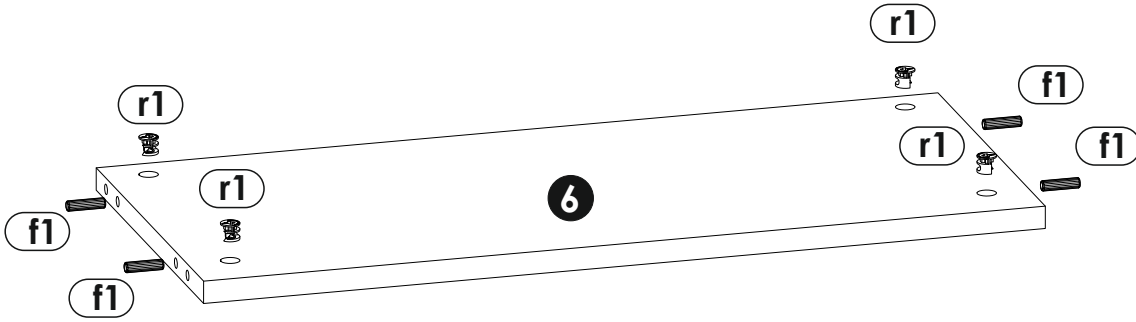
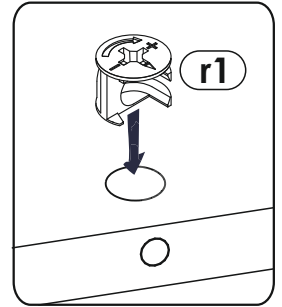
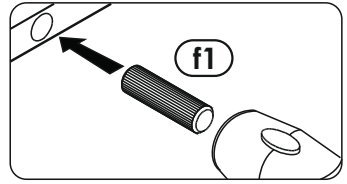
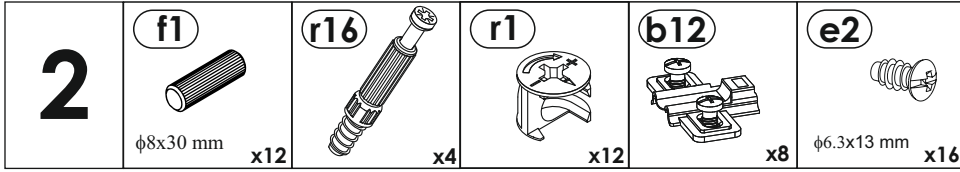
C

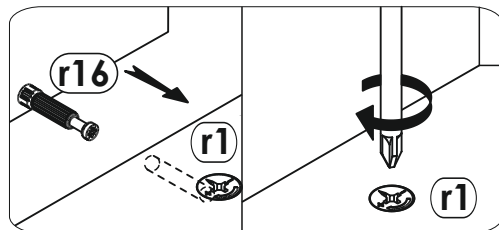
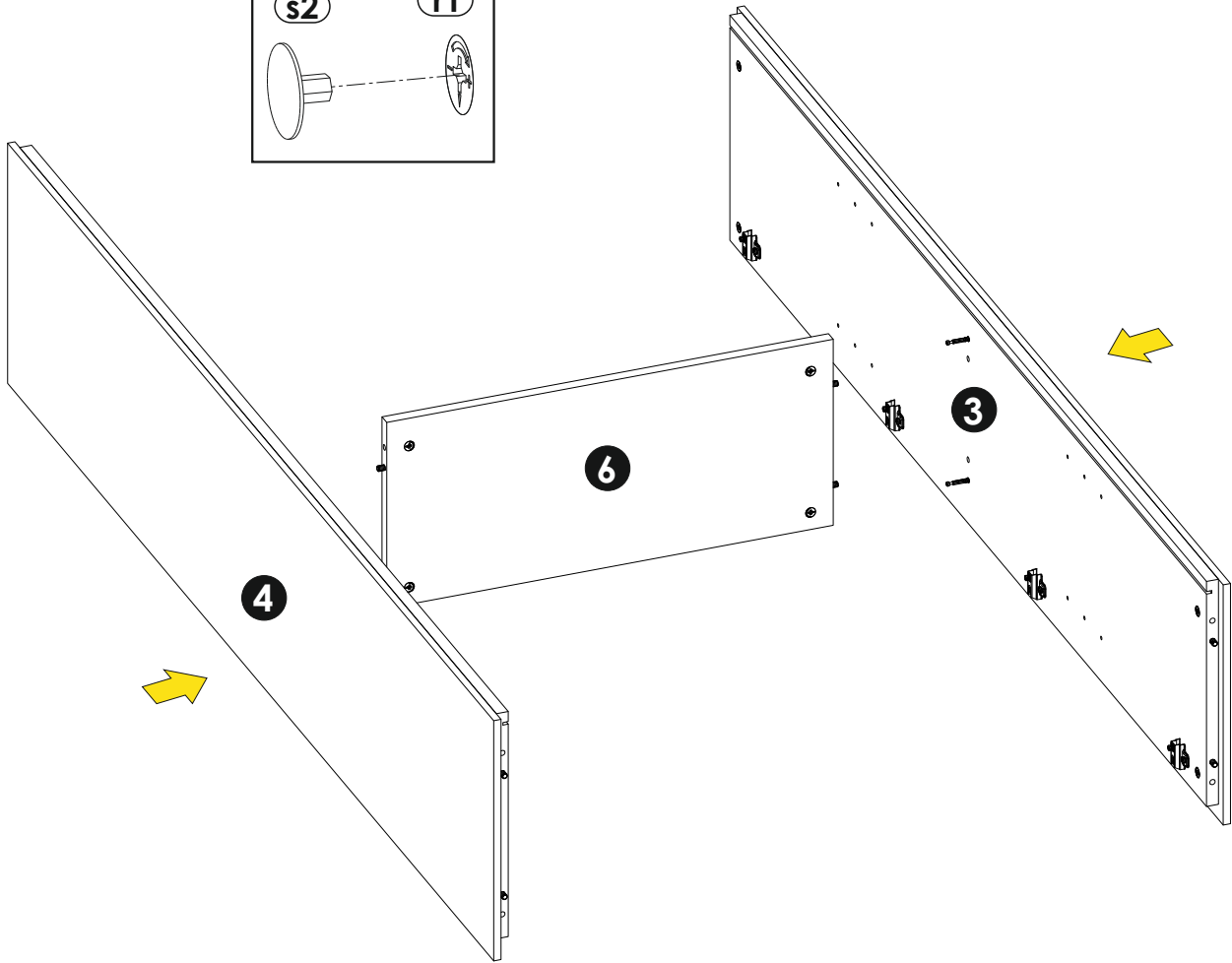
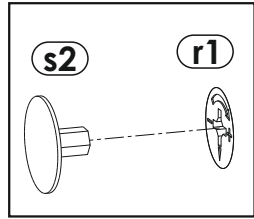
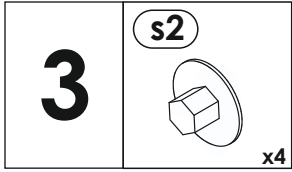
t17 $\phi 8 \times 50$ mm x1	n14 x1
---	----------------------

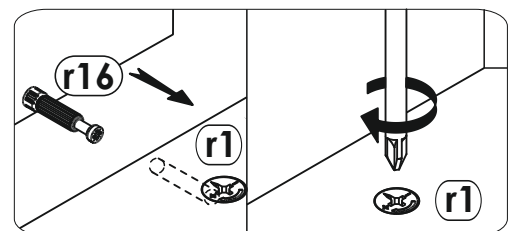
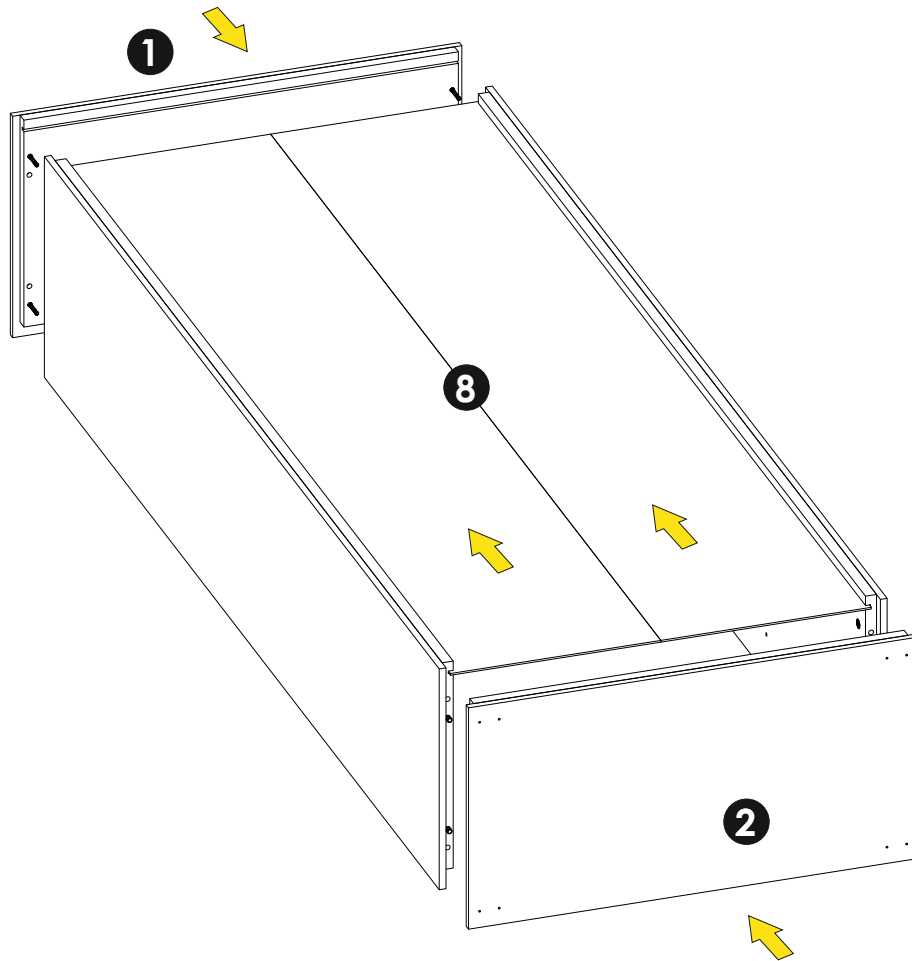
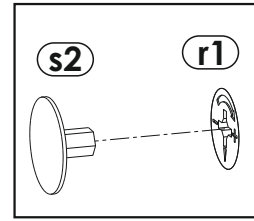
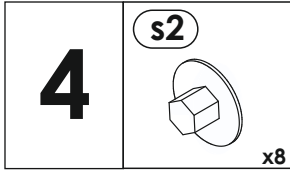
b12 + a12 + e2 x8

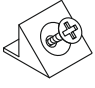


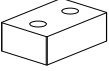
x8 x8 x16

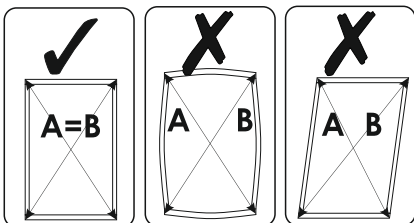
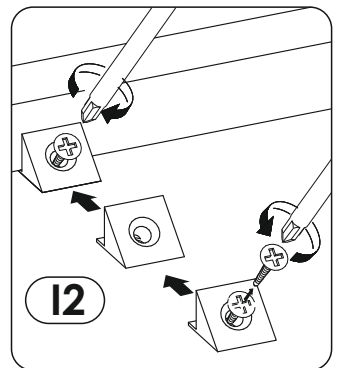
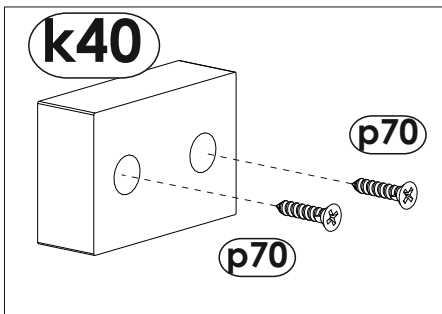
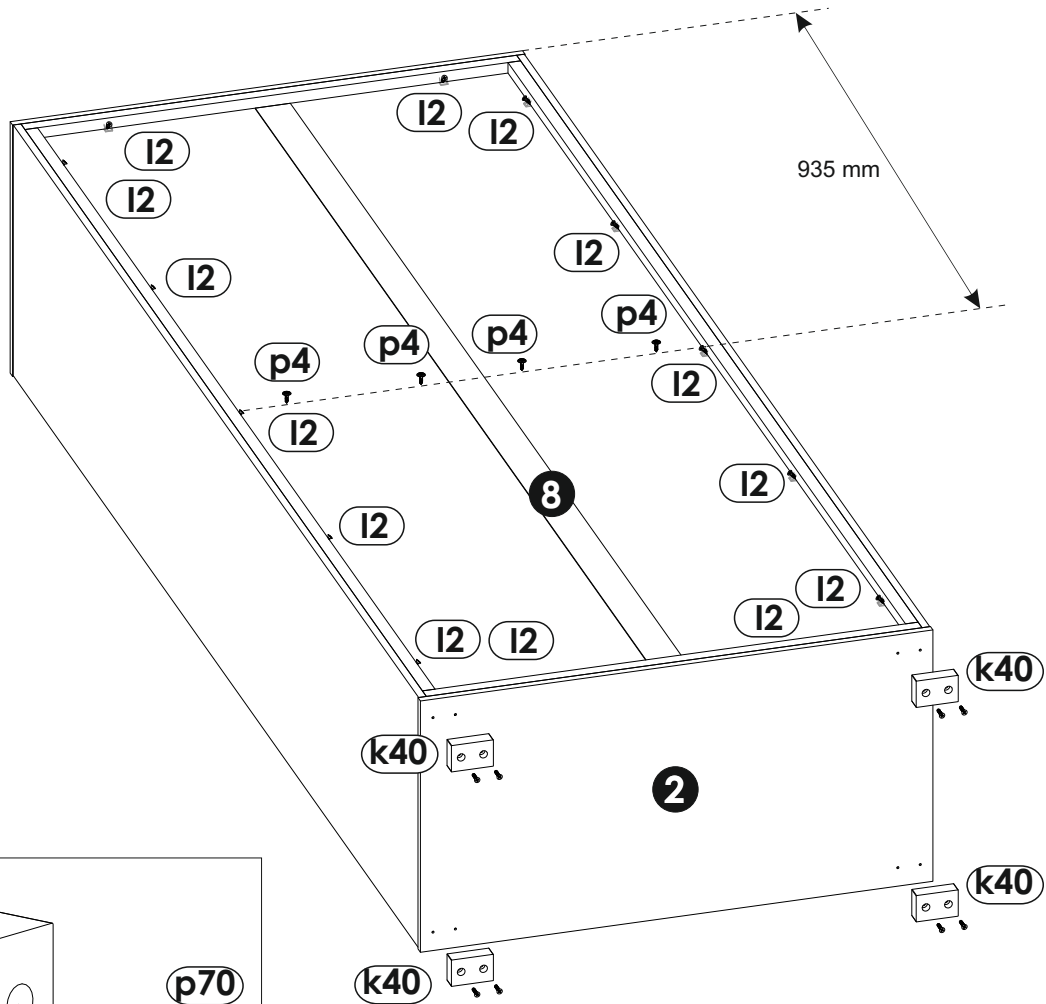


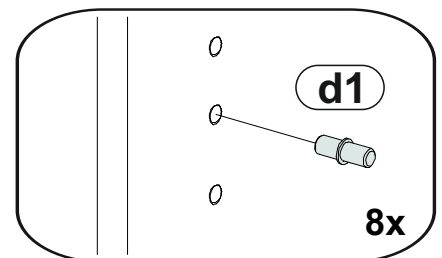
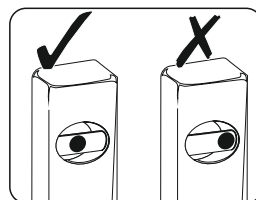
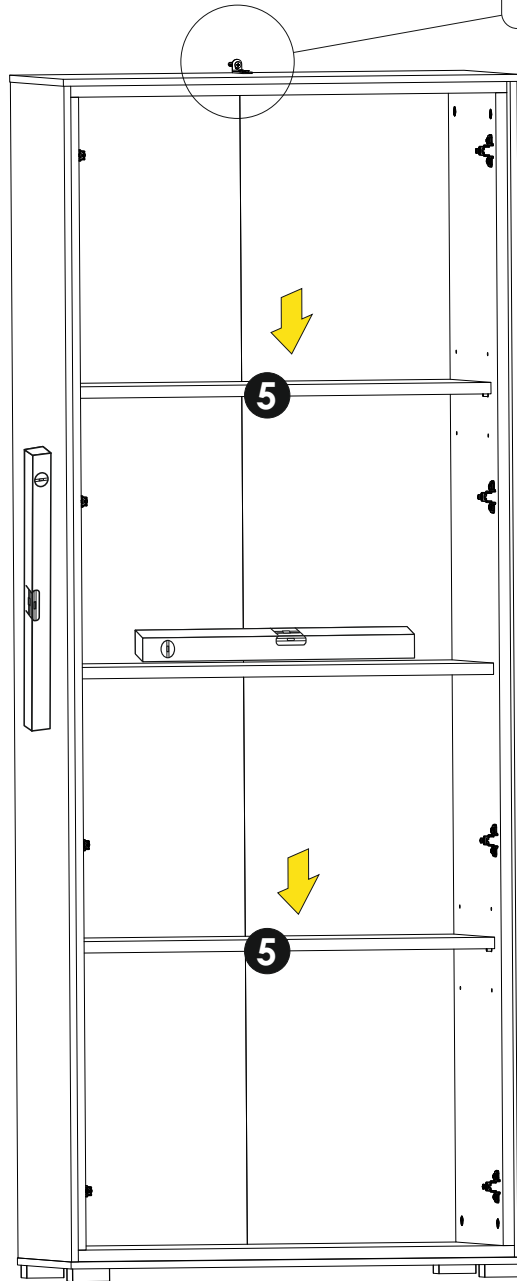
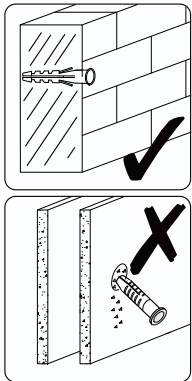
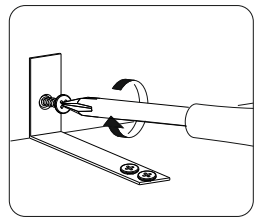
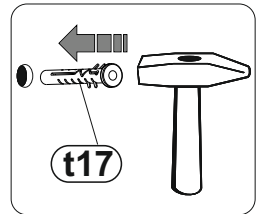
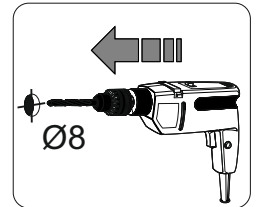
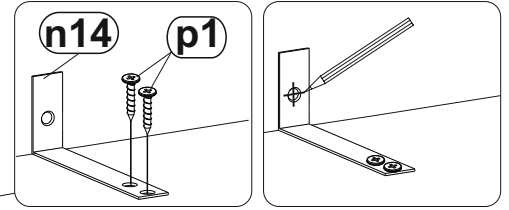
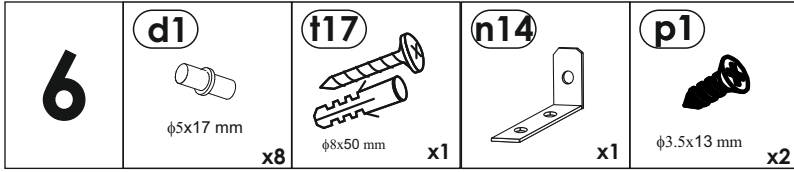


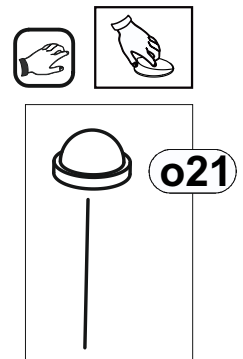
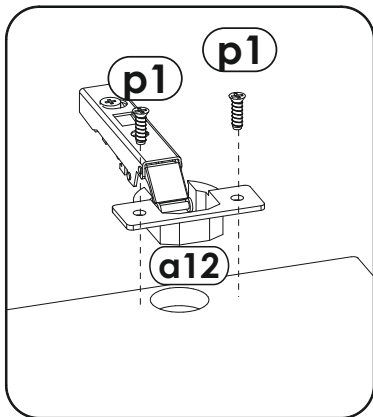
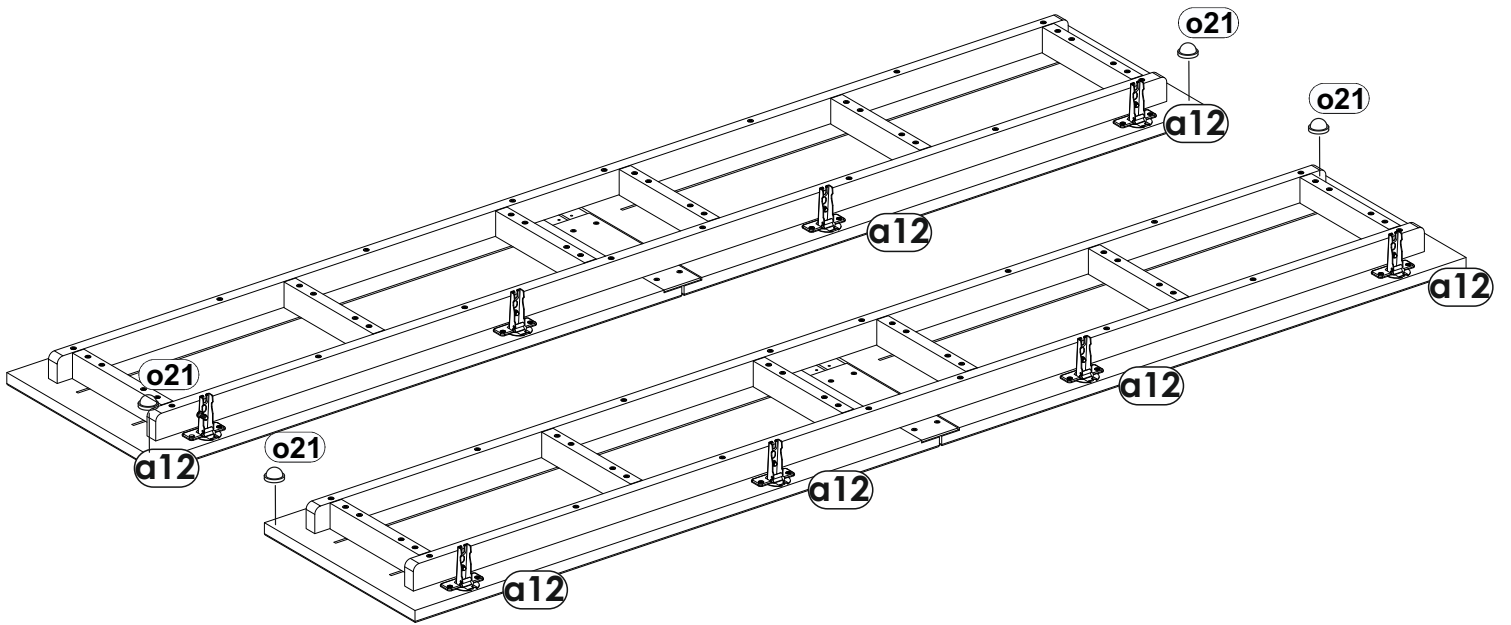
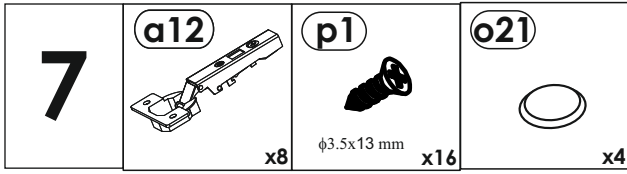







5	I2  x14	p4  $\phi 3.5 \times 16$ mm x4	p70  $\phi 4 \times 20$ mm x8	k40  $\phi 40 \times 60 \times 20$ mm x4
----------	---	---	--	---







8	c8  x2	p1  $\phi 3.5 \times 13$ mm x4	a1  x1
---	--	---	--

