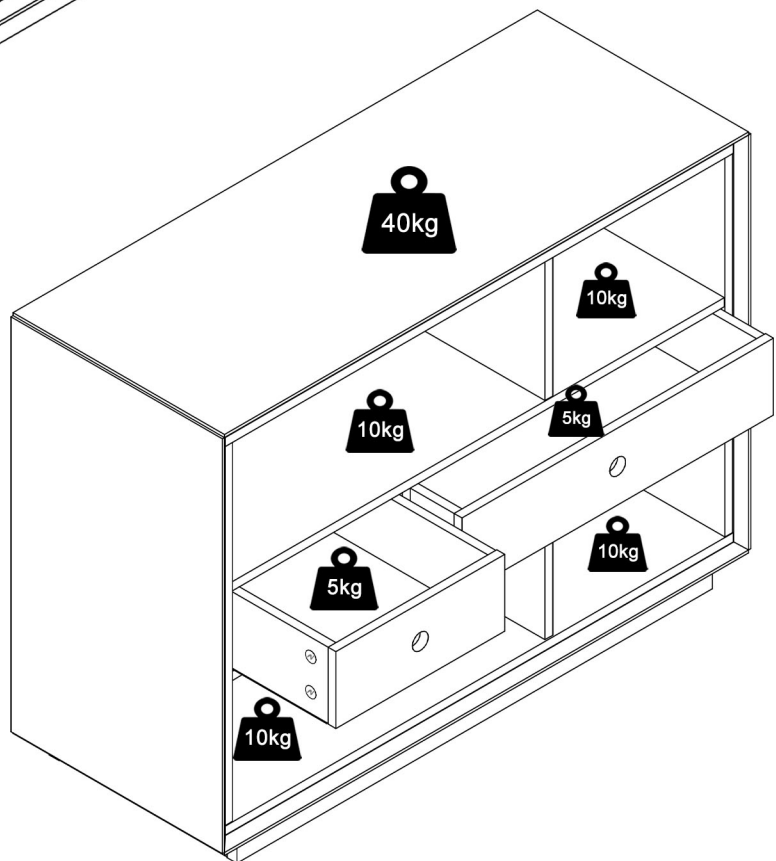
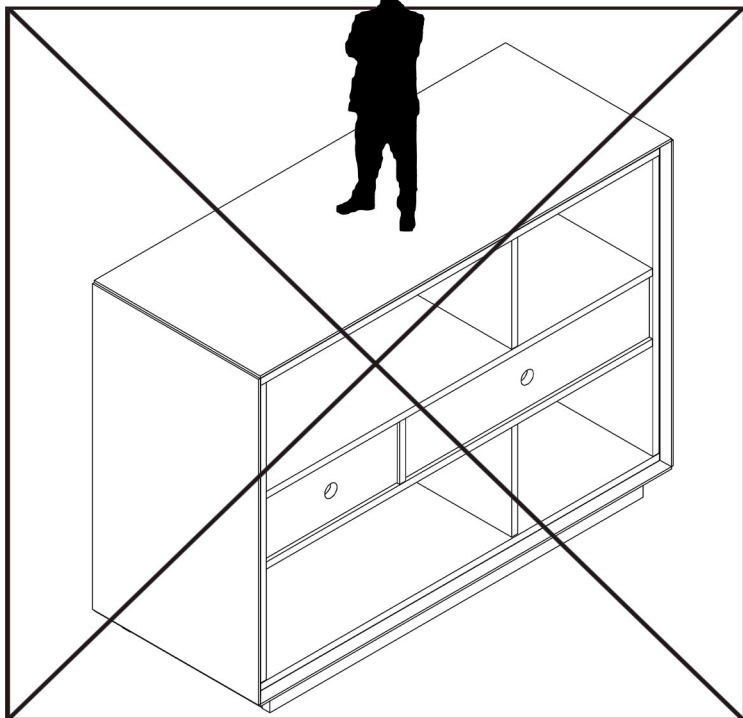
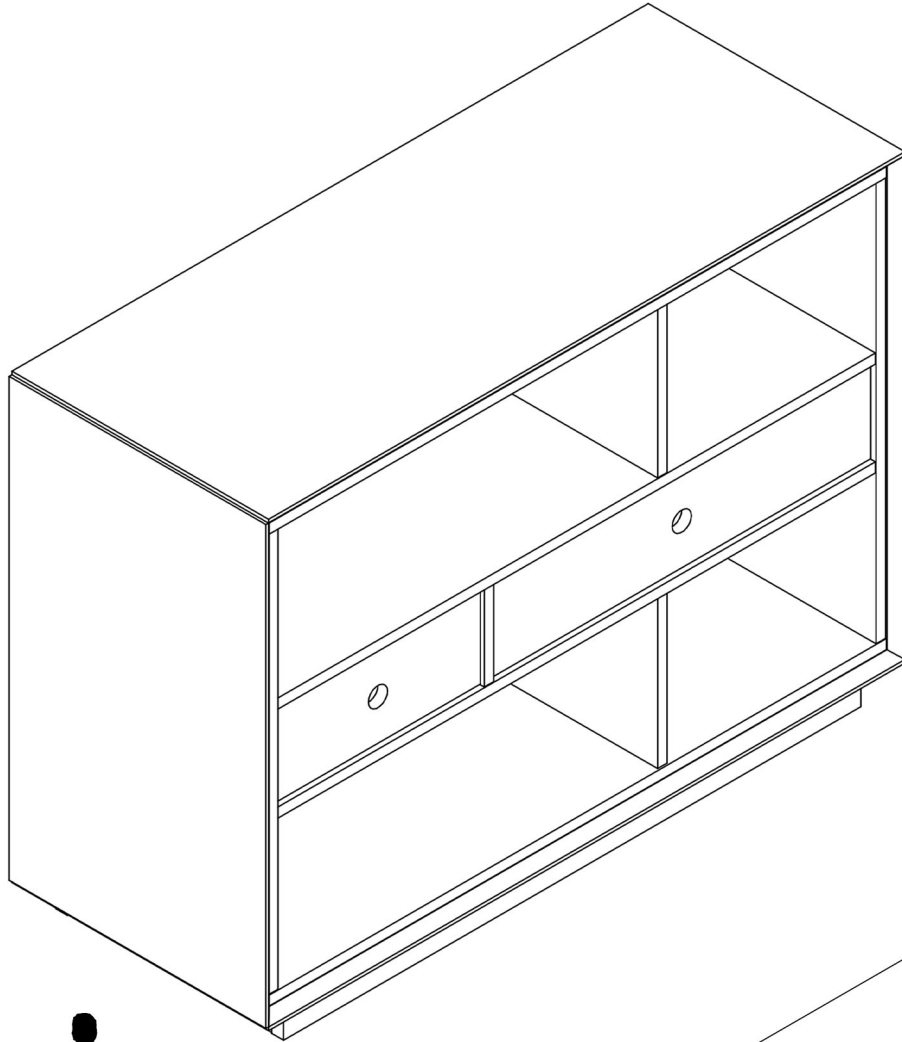
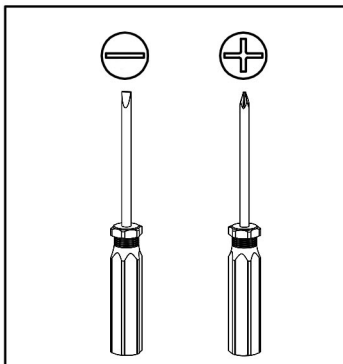
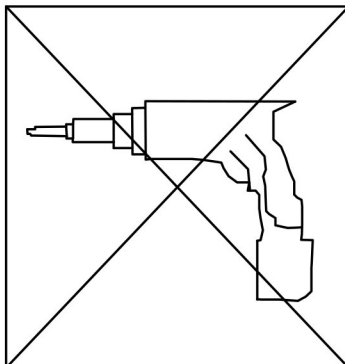
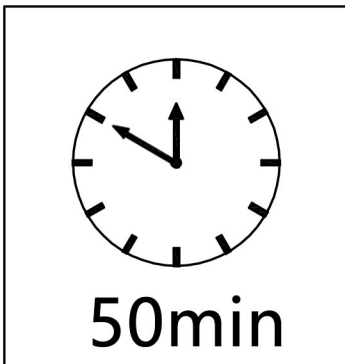
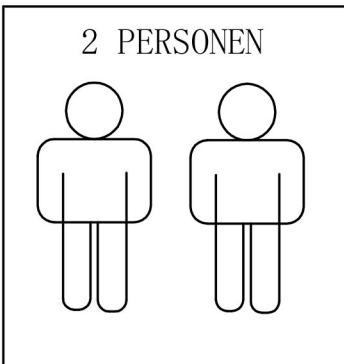
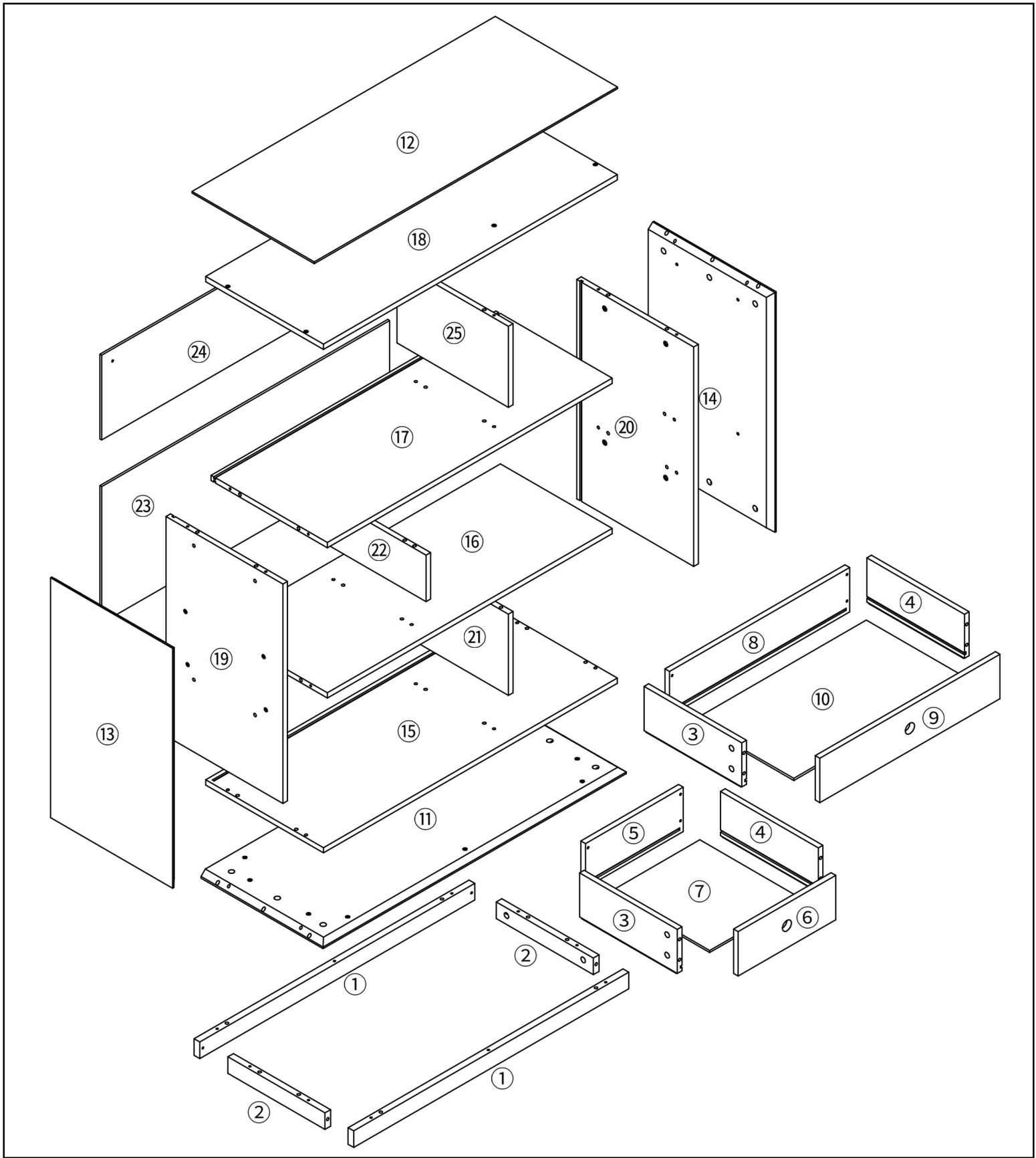
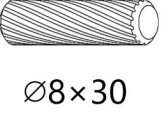
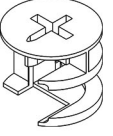
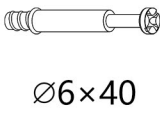


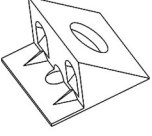
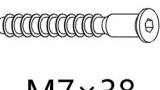
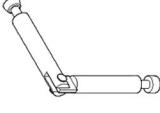

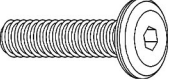
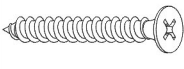

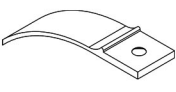
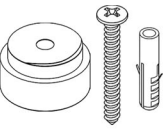


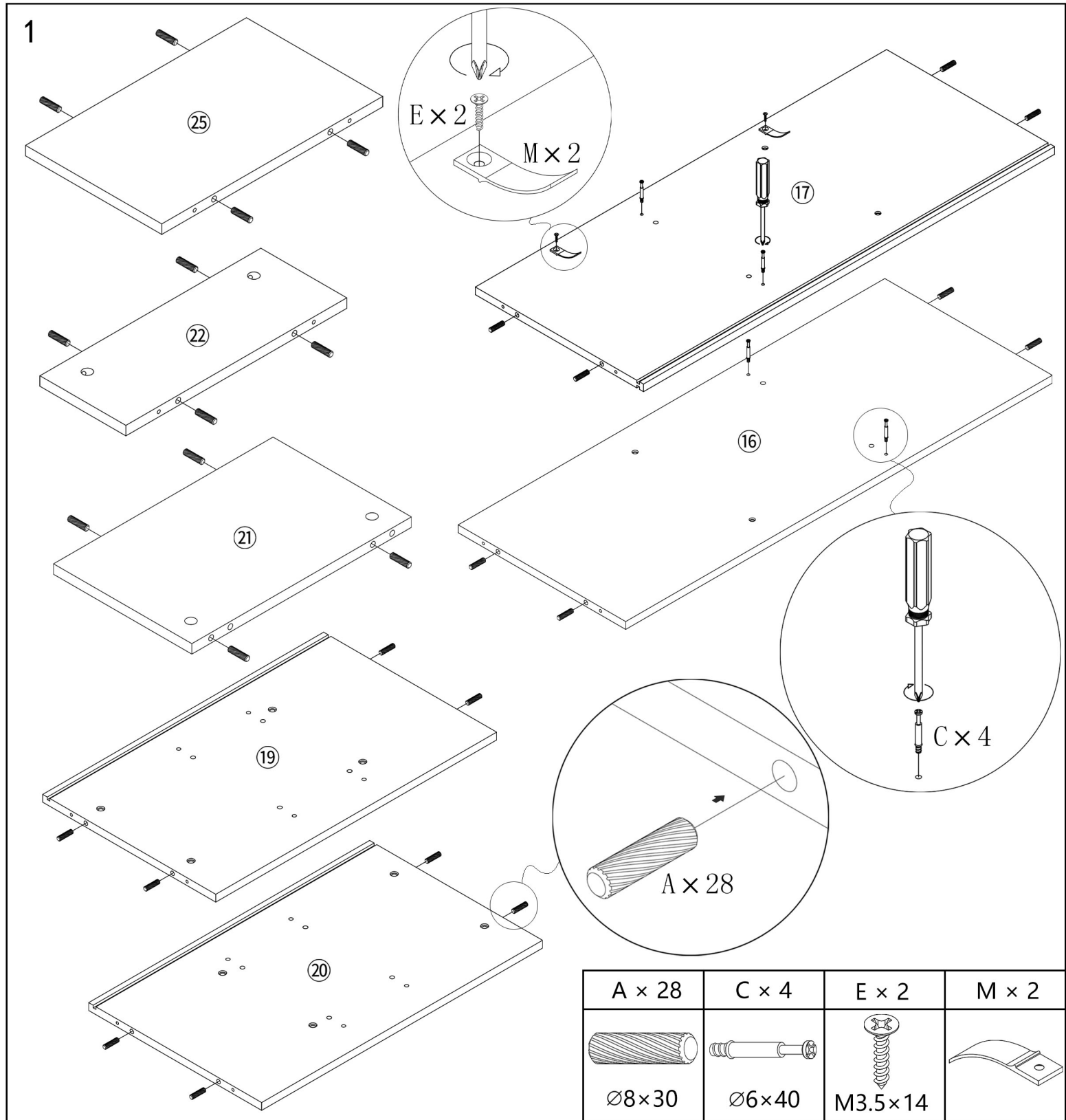
1471629





Zurbrüggen Wohn-Zentrum GmbH
Hans Böckler Straße 4
59423 Unna, Germany



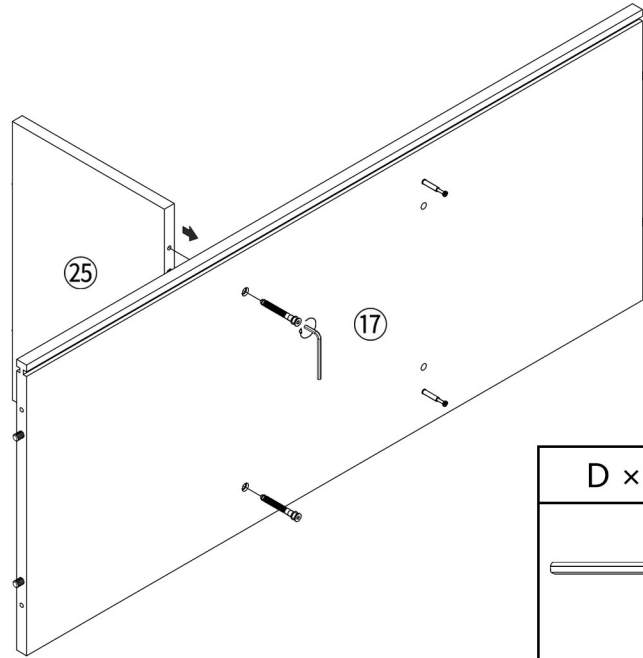
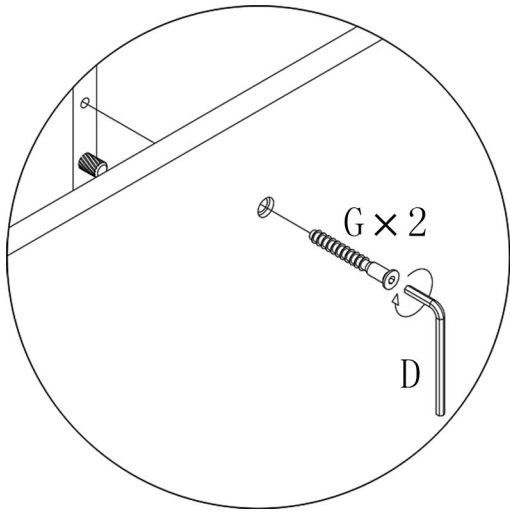




A × 36  Ø8×30	B × 40 	C × 16  Ø6×40	D × 1 	E × 14  M3.5×14	F × 12 	G × 34  M7×38	H × 12 
I × 8  Ø6×30	J × 8  M6×25	K × 8  M4×35	L × 20  Ø21	M × 2 	N × 2 		



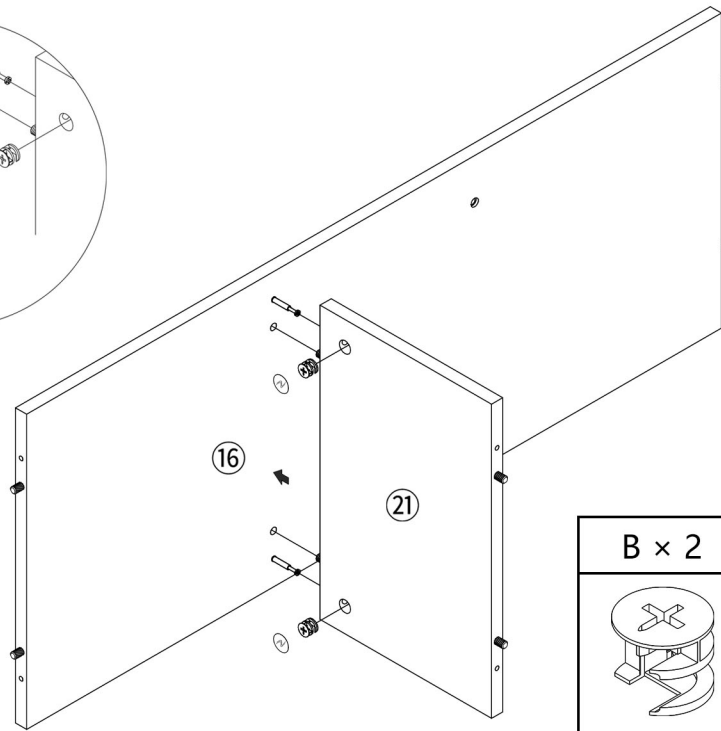
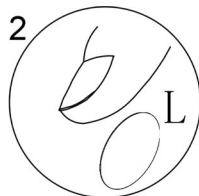
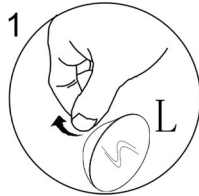
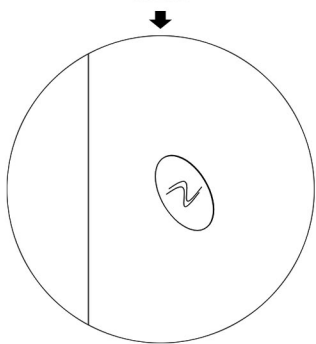
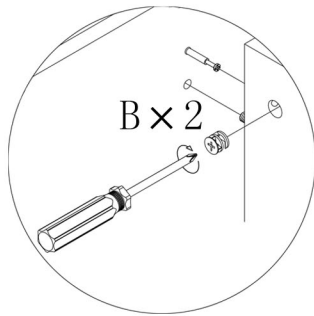
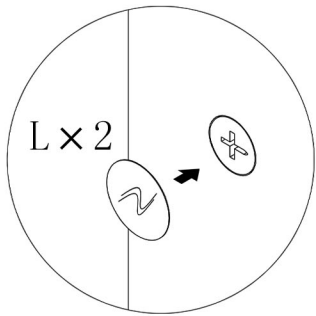
A × 28  Ø8×30	C × 4  Ø6×40	E × 2  M3.5×14	M × 2 
---------------------------------------------------------------------------------------------------------	---------------------------------------------------------------------------------------------------------	-----------------------------------------------------------------------------------------------------------	------------------------------------------------------------------------------------------------

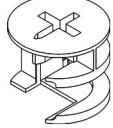

2



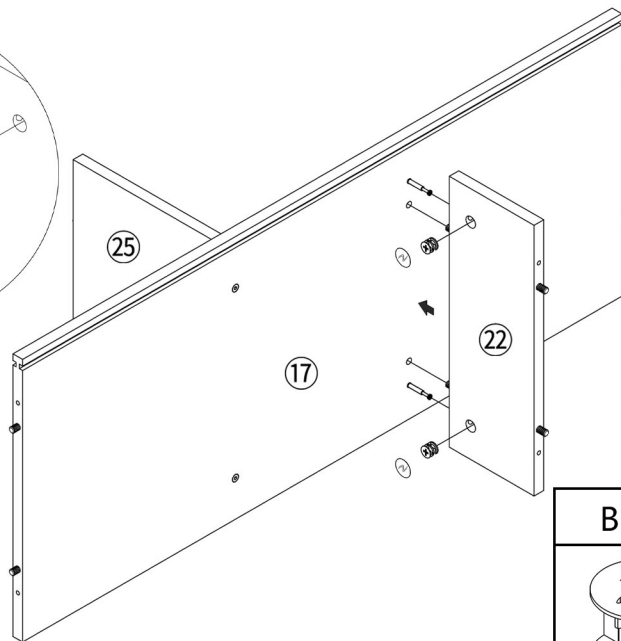
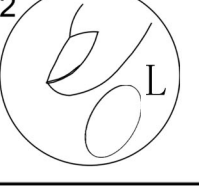
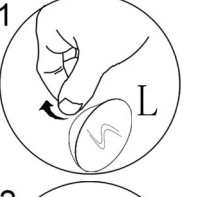
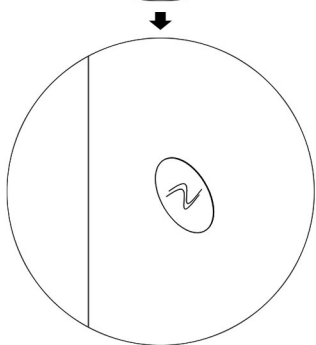
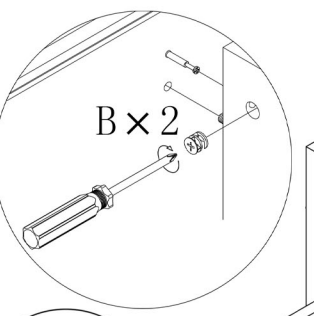
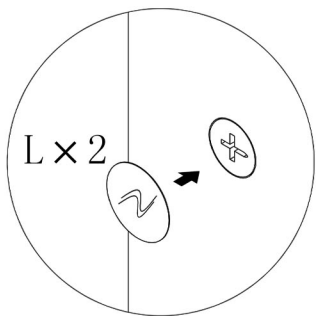
D x 1	G x 2
	
	M7x38

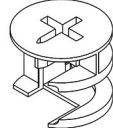

3



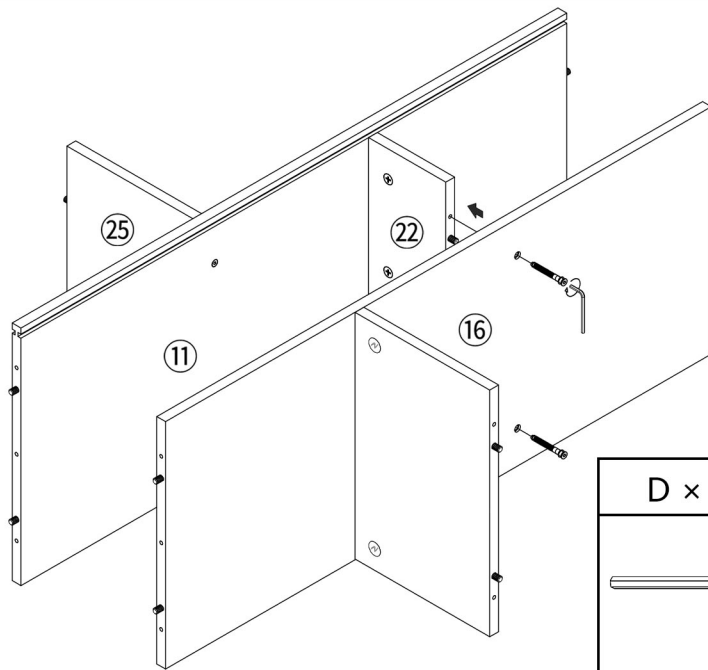
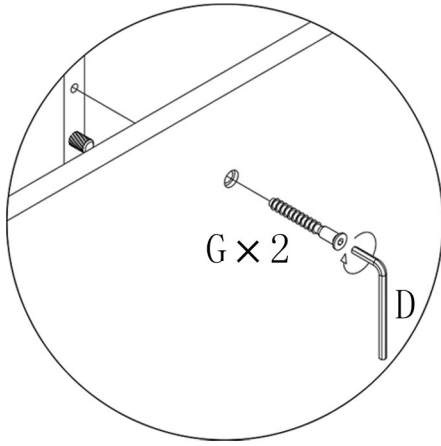
B x 2	L x 2
	
	Ø21

4



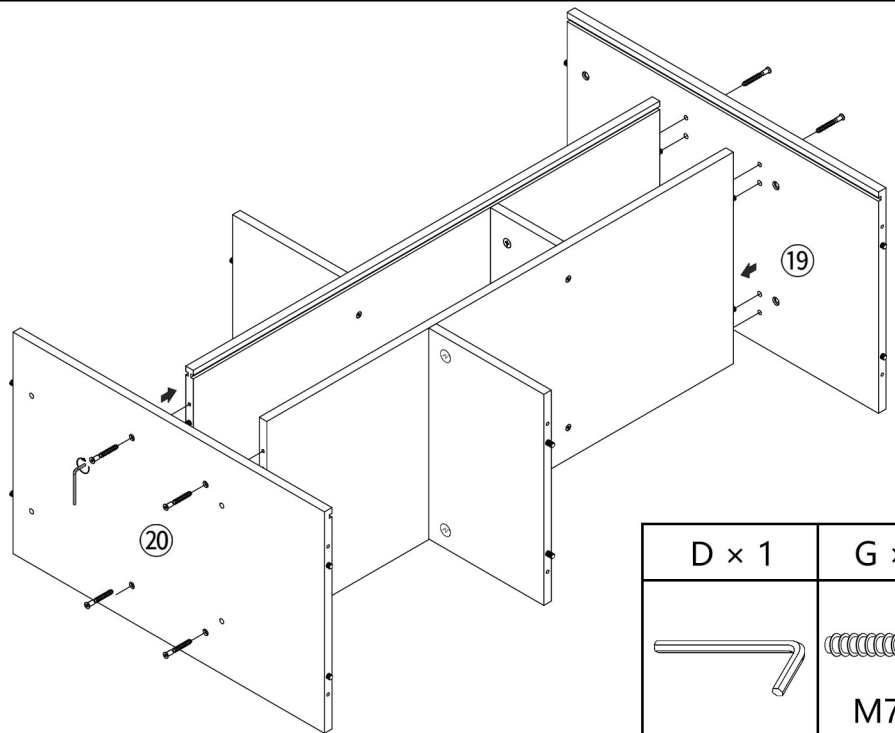
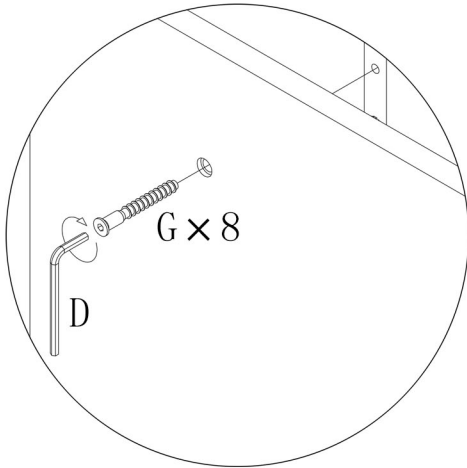
B x 2	L x 2
	
	Ø21

5



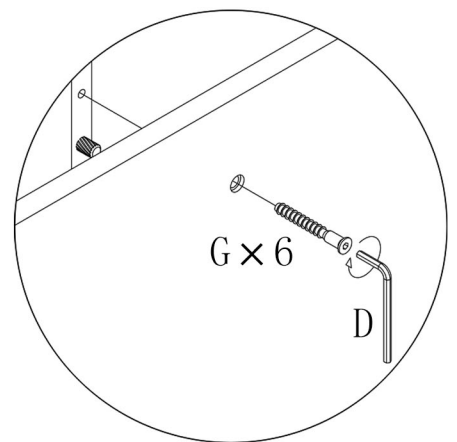
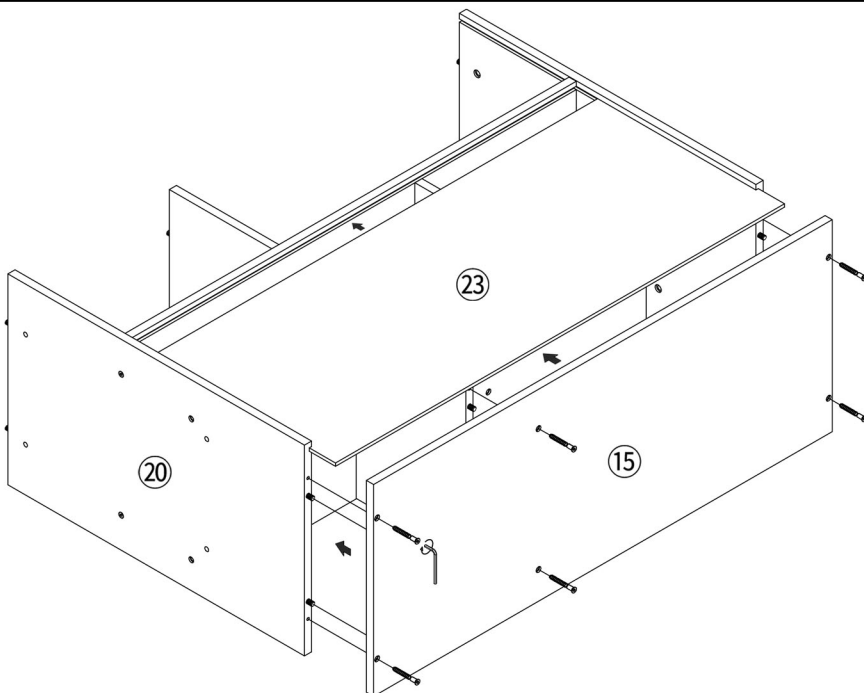
D x 1	G x 2
	M7 x 38

6



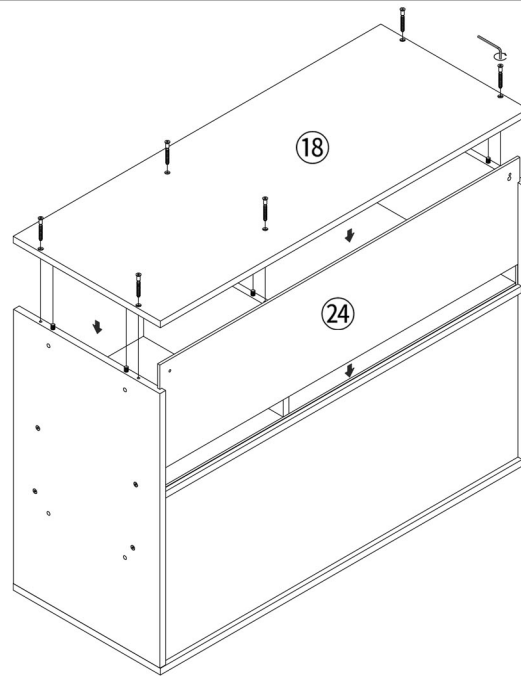
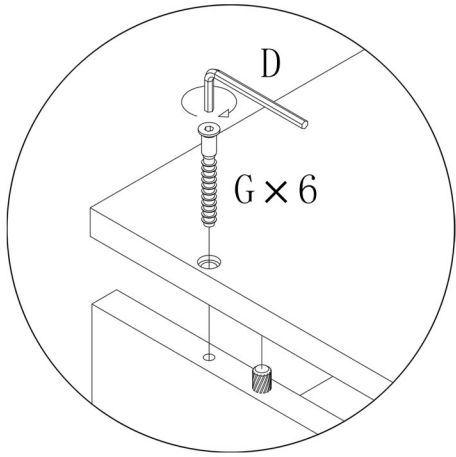
D x 1	G x 8
	M7 x 38



7



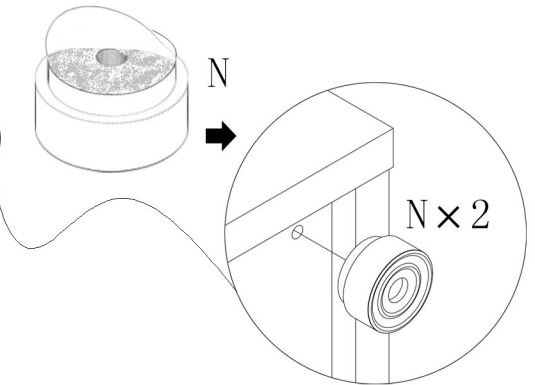
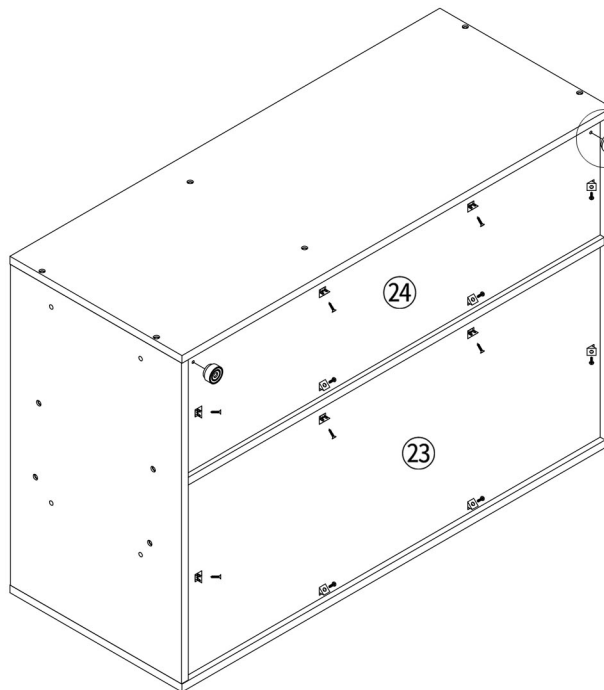
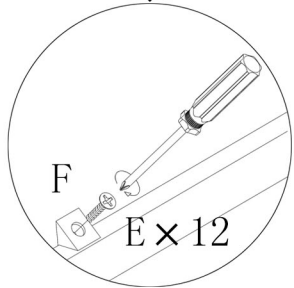
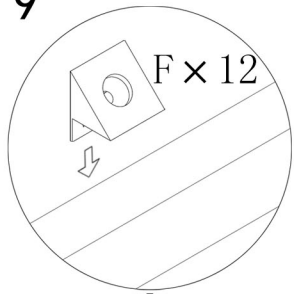
D x 1	G x 6
	M7 x 38


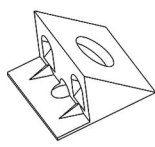

8



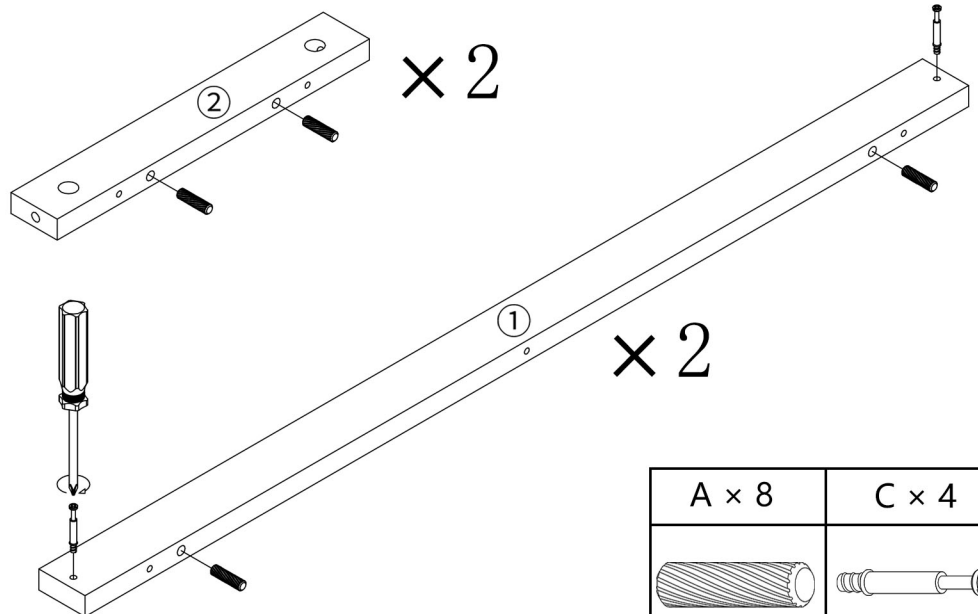
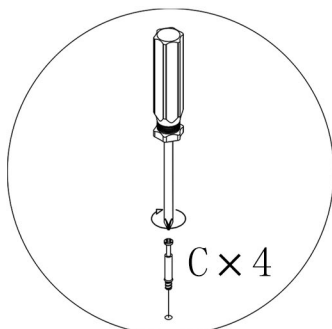
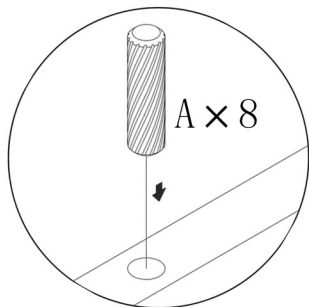
D x 1	G x 6
	
	M7x38



9



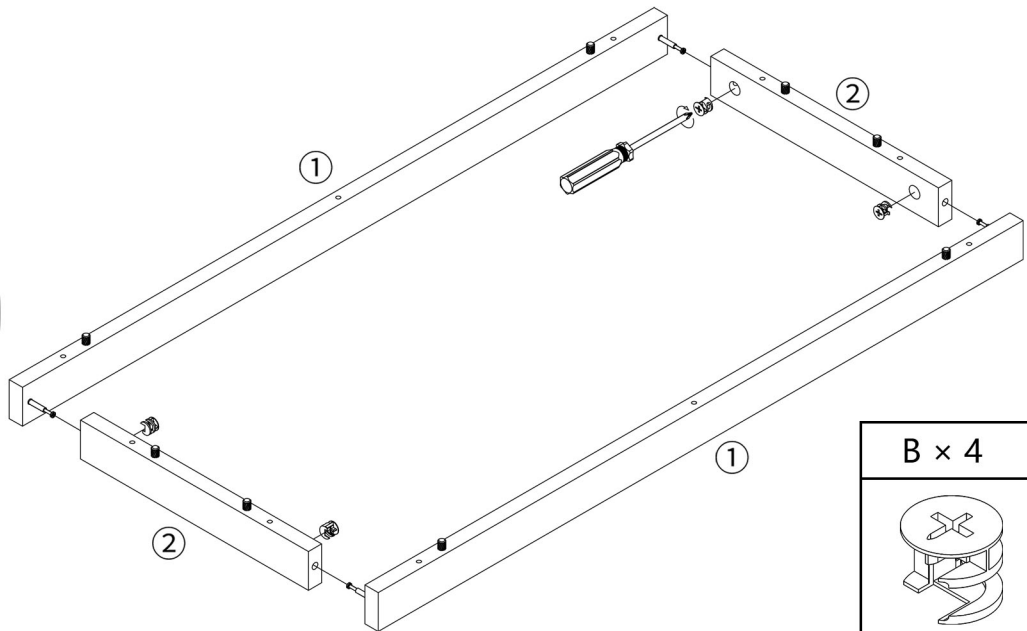
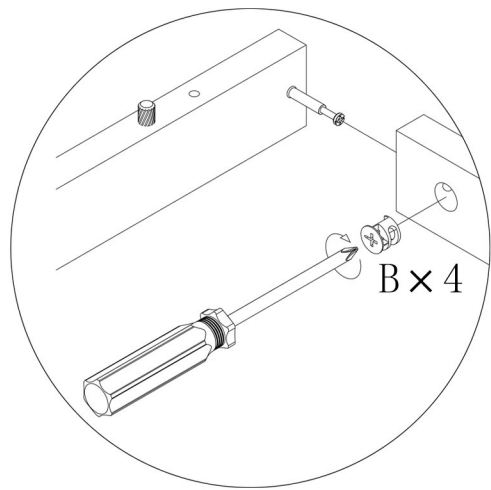
E x 12	F x 12	N x 2
		
M3.5x14		

10



A x 8	C x 4
	
Ø8x30	Ø6x40

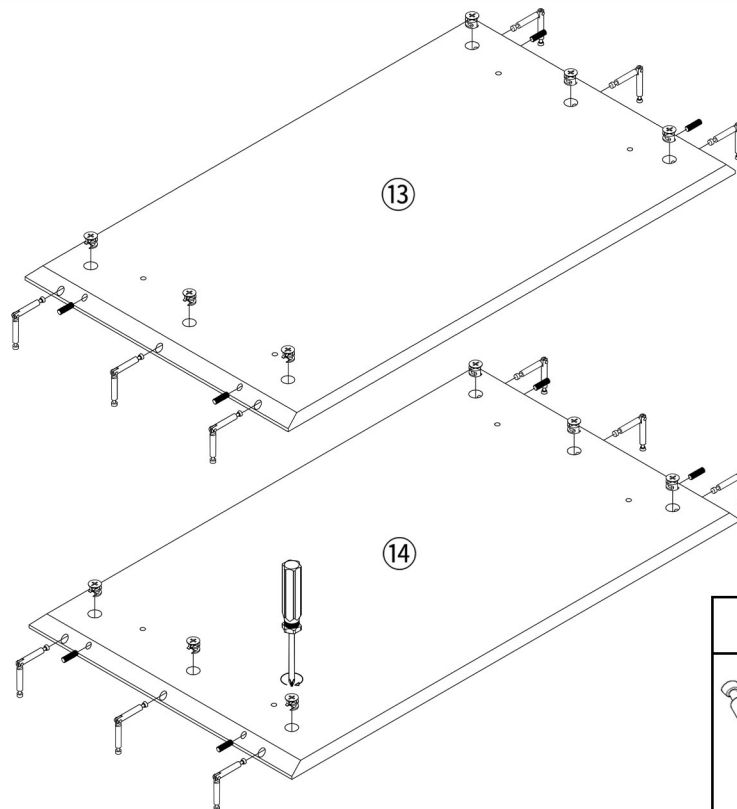
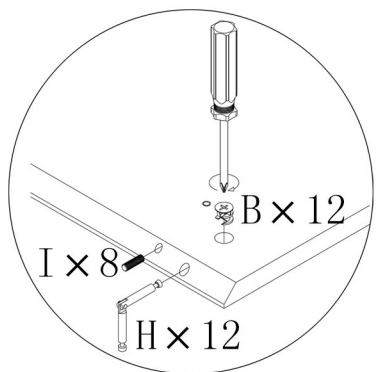
11



B x 4



12

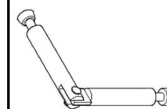


B x 12



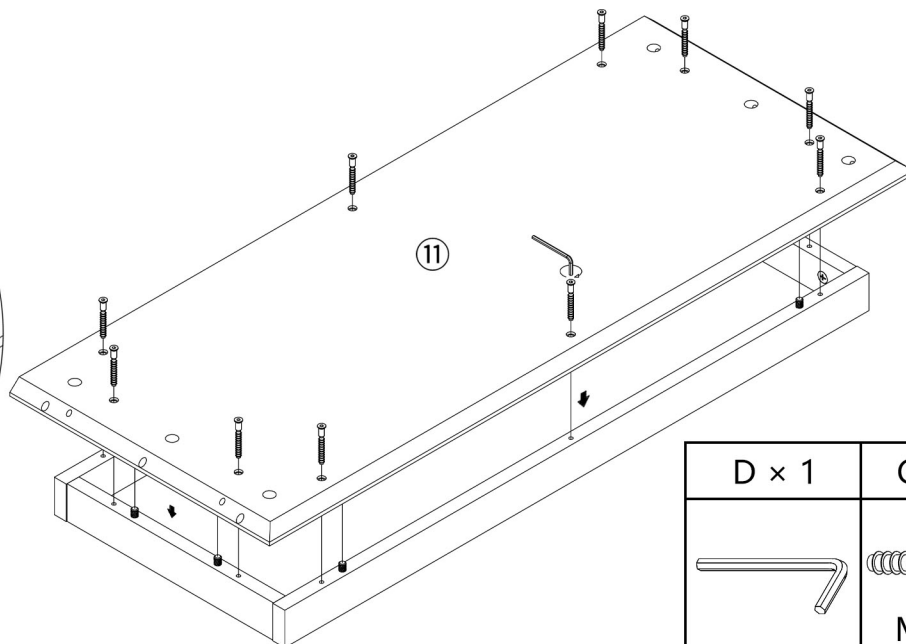
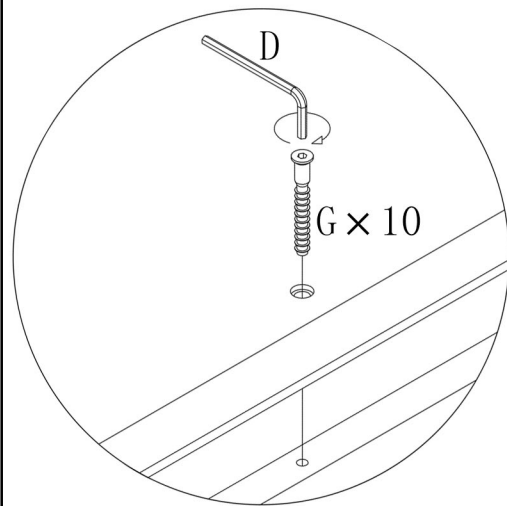
H x 12

I x 8



Ø6x30

13



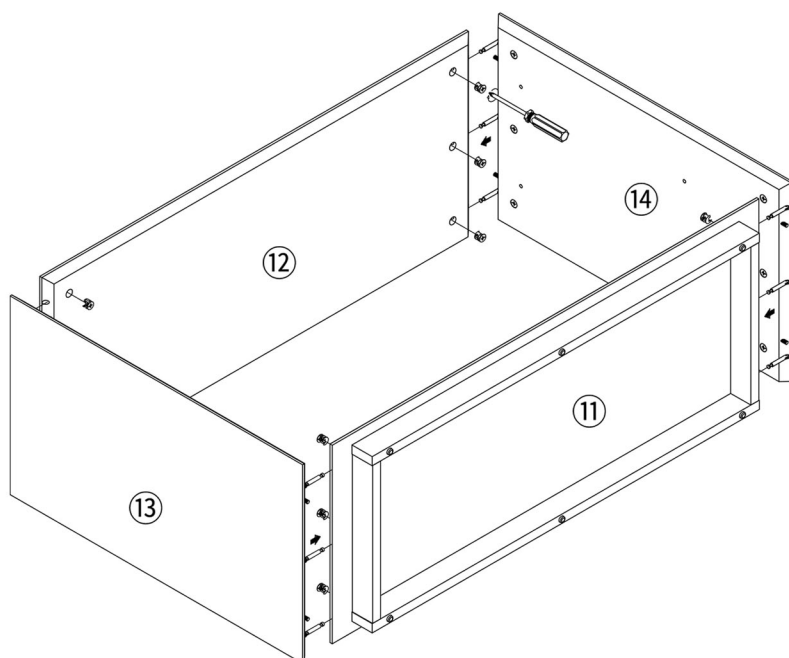
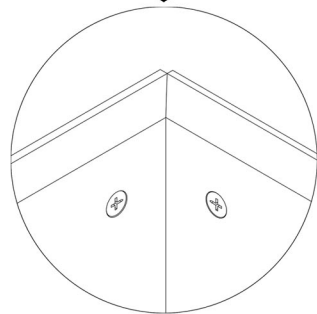
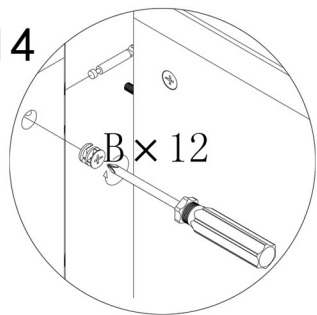
D x 1

G x 10

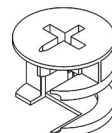


M7x38

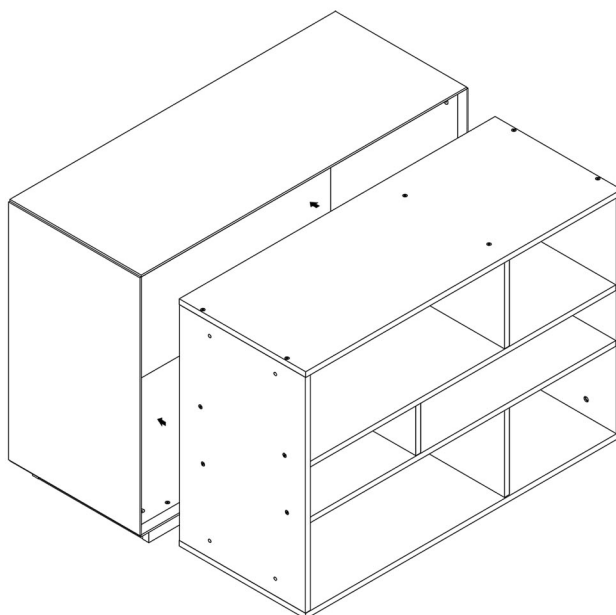
14



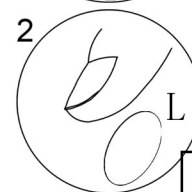
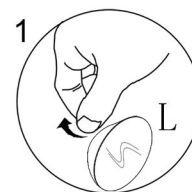
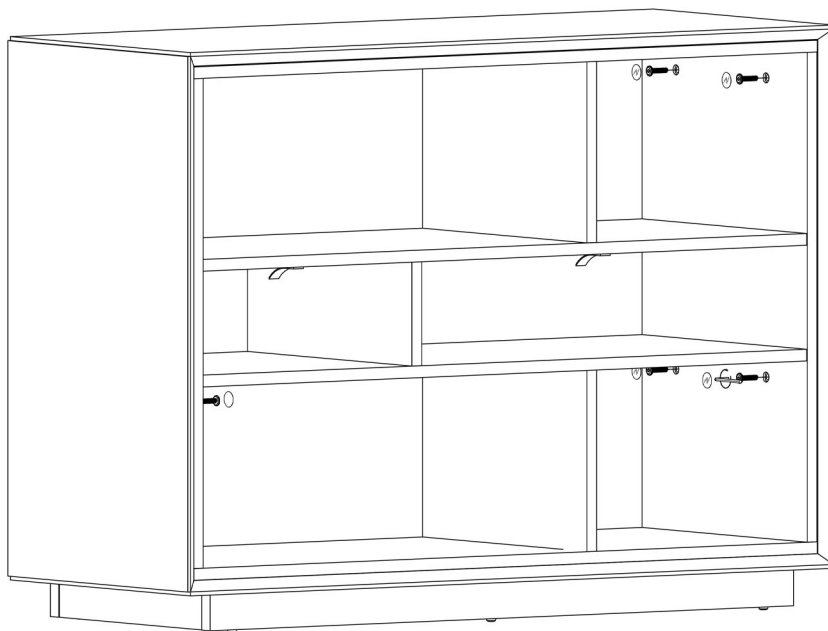
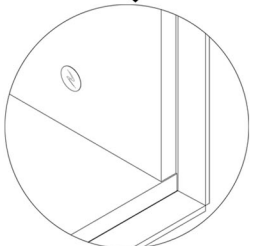
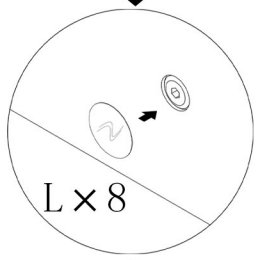
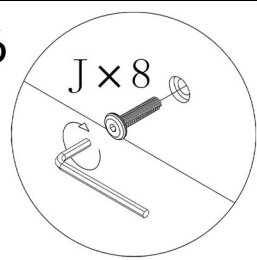
B x 12



15



16

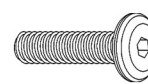


D x 1



J x 8

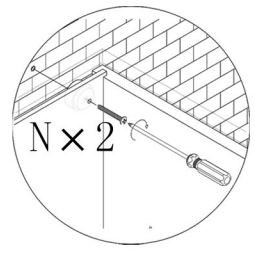
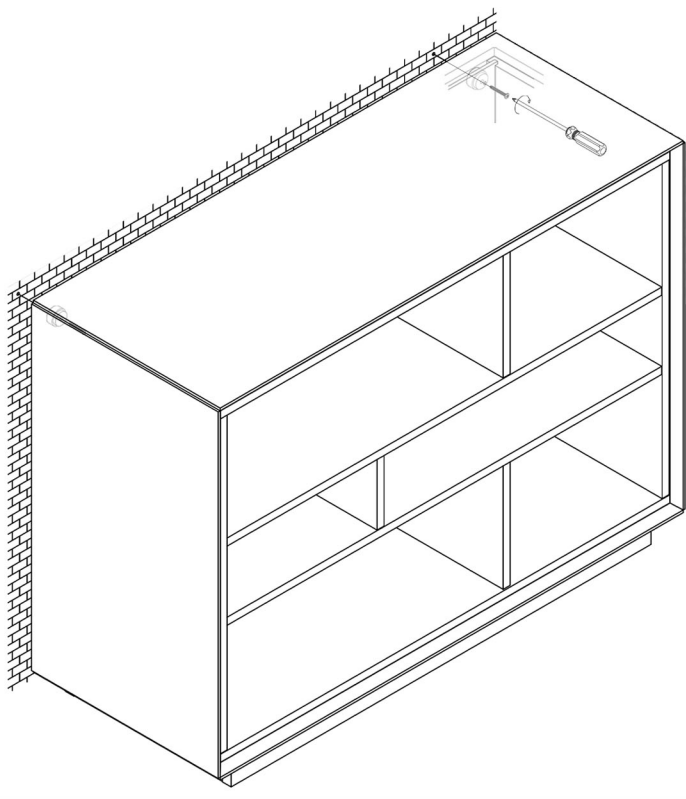
L x 8



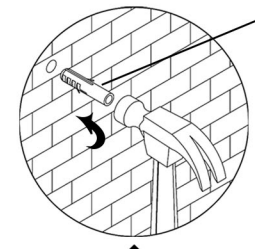
M6 x 25

Ø21

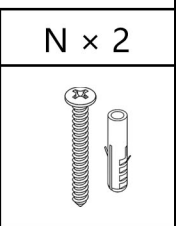
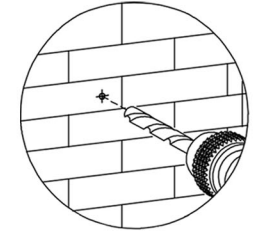
17



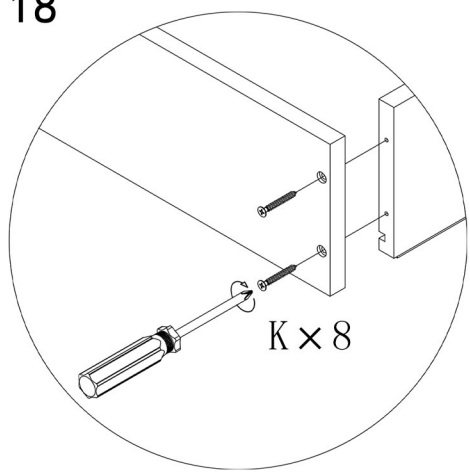
N x 2



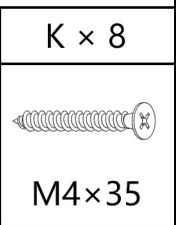
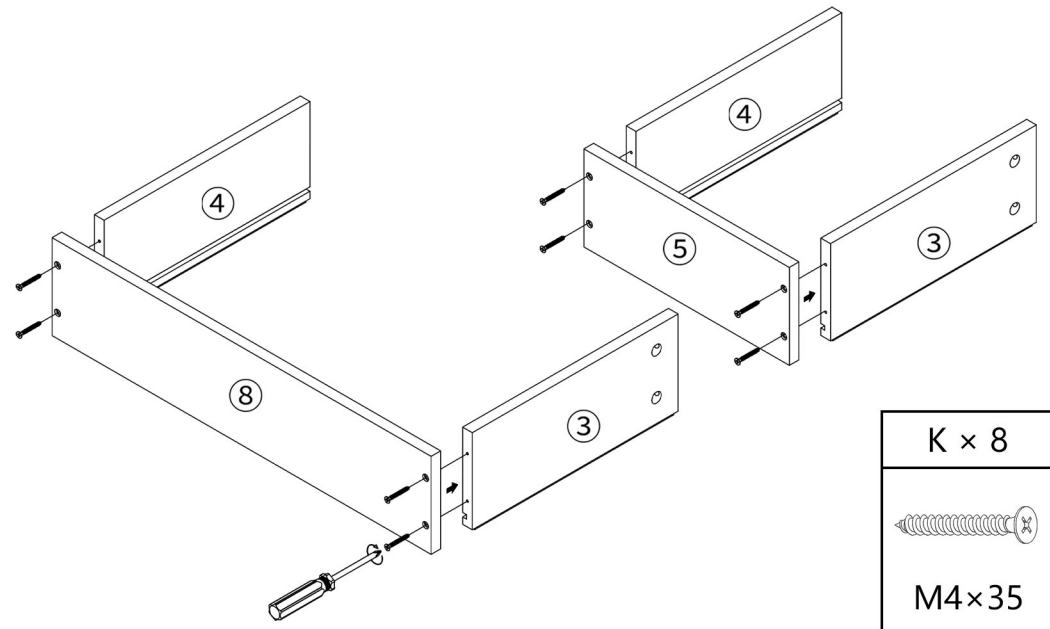
N x 2



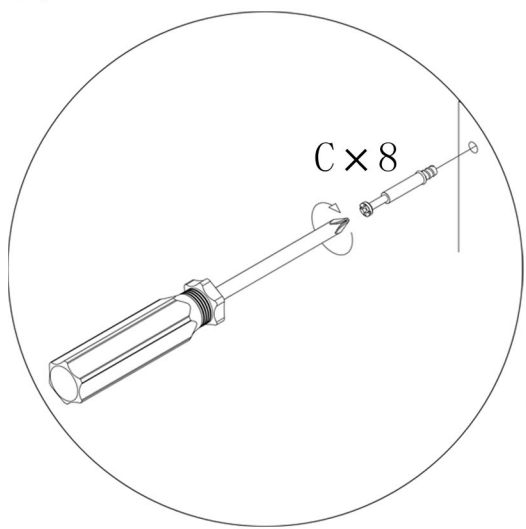
18



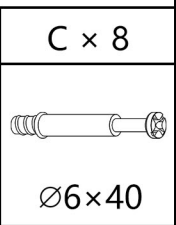
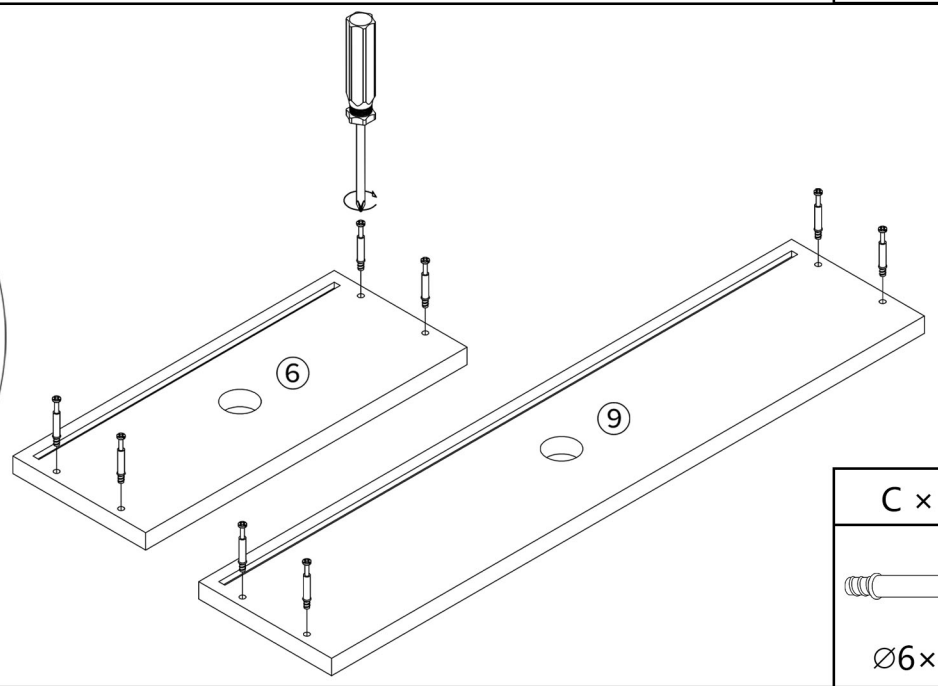
K x 8



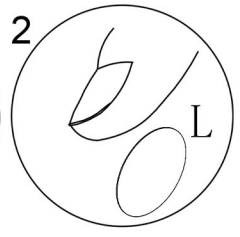
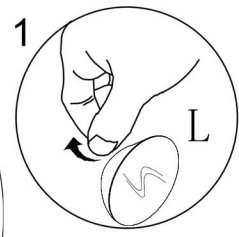
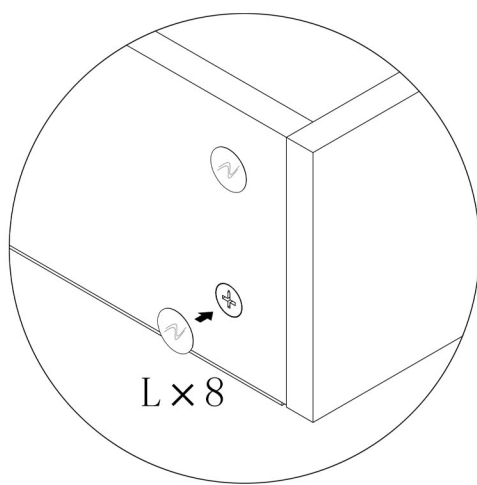
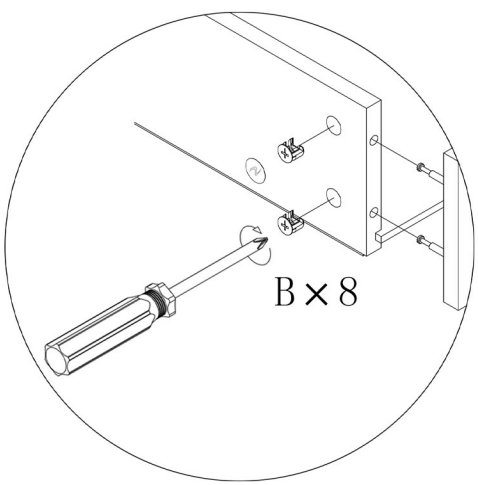
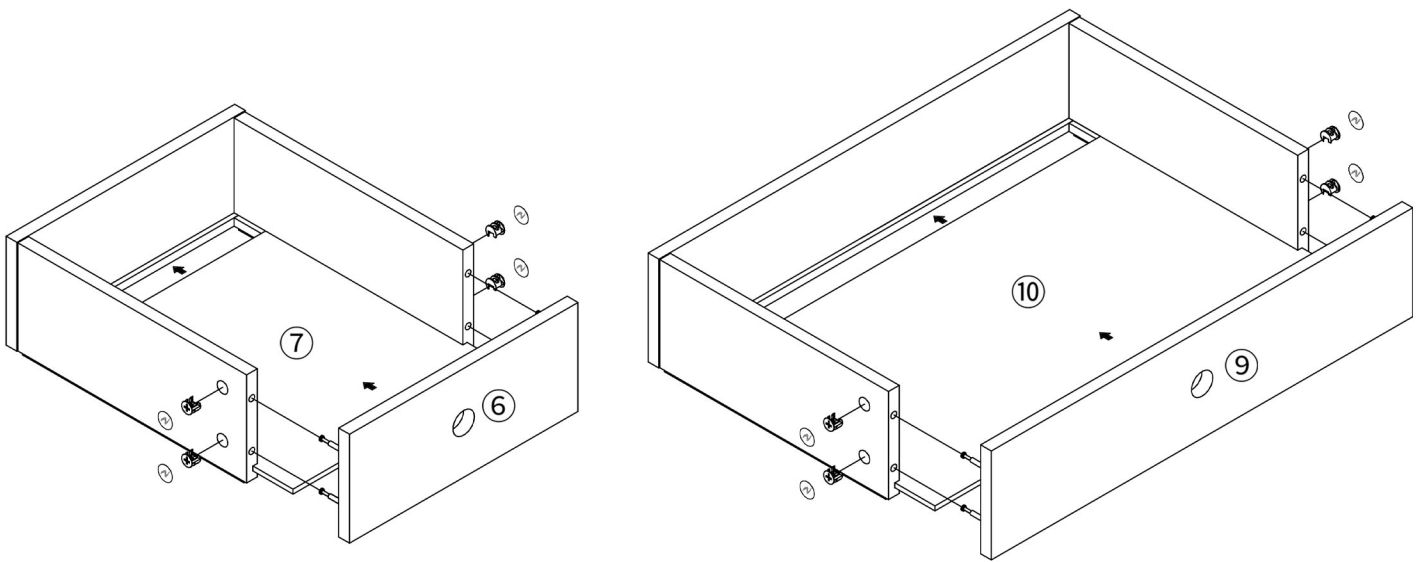
19



C x 8



20



B x 8	L x 8
	Ø21

21

