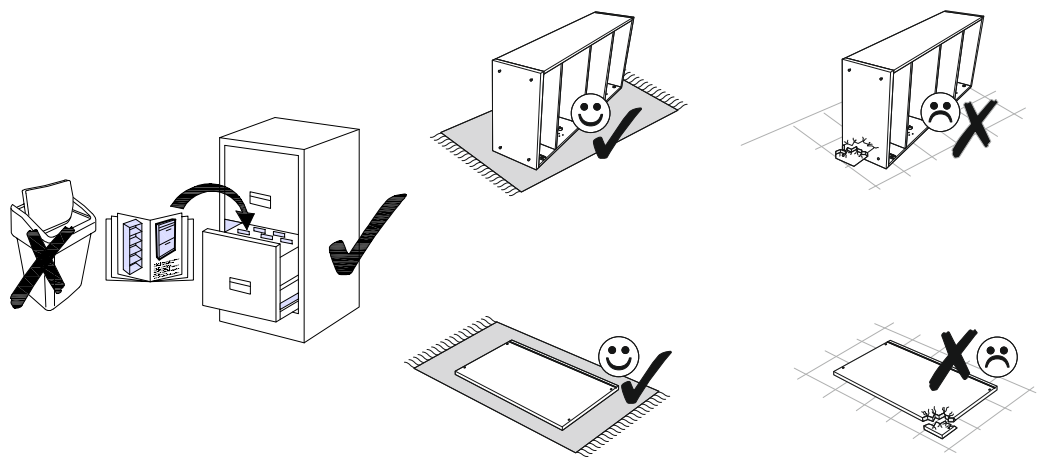
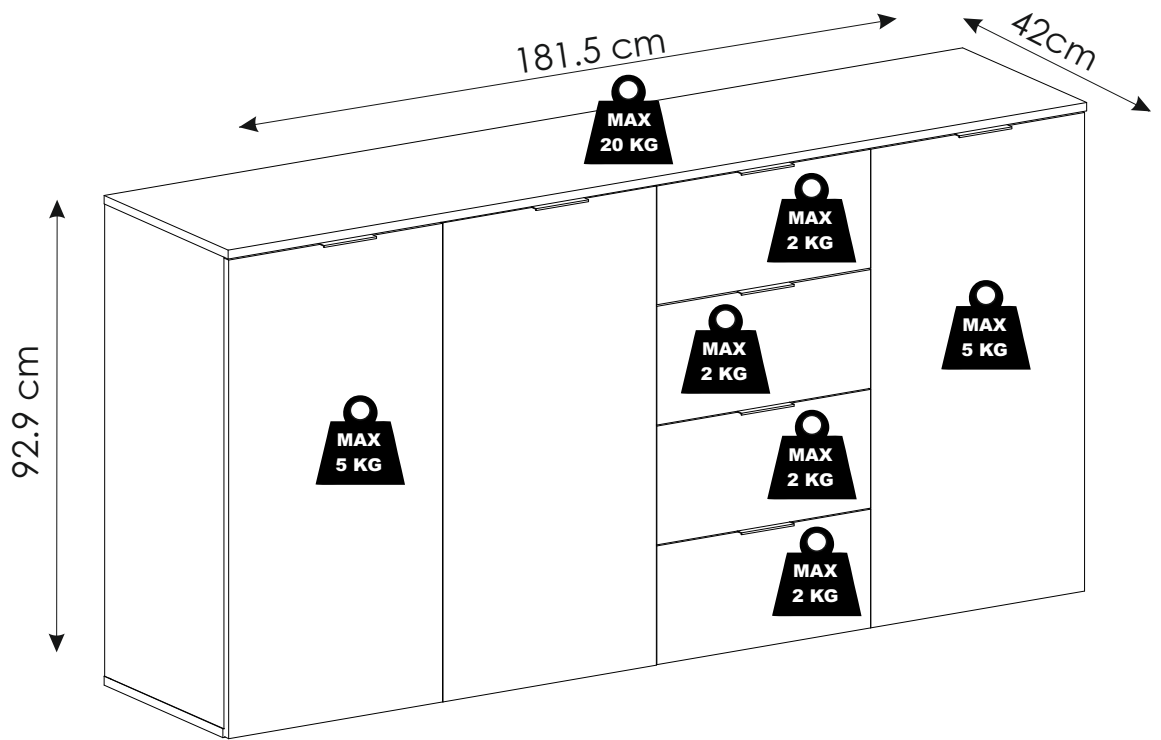
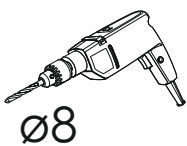
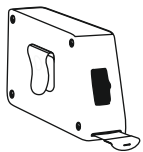
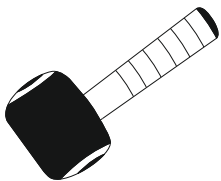
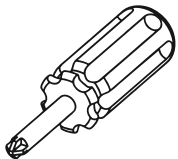
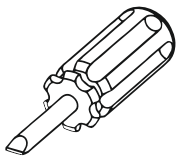
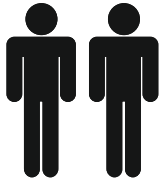
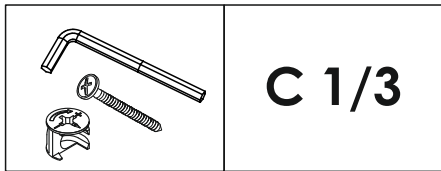
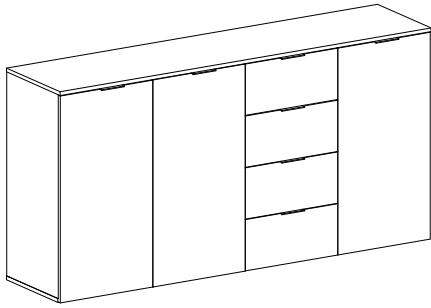




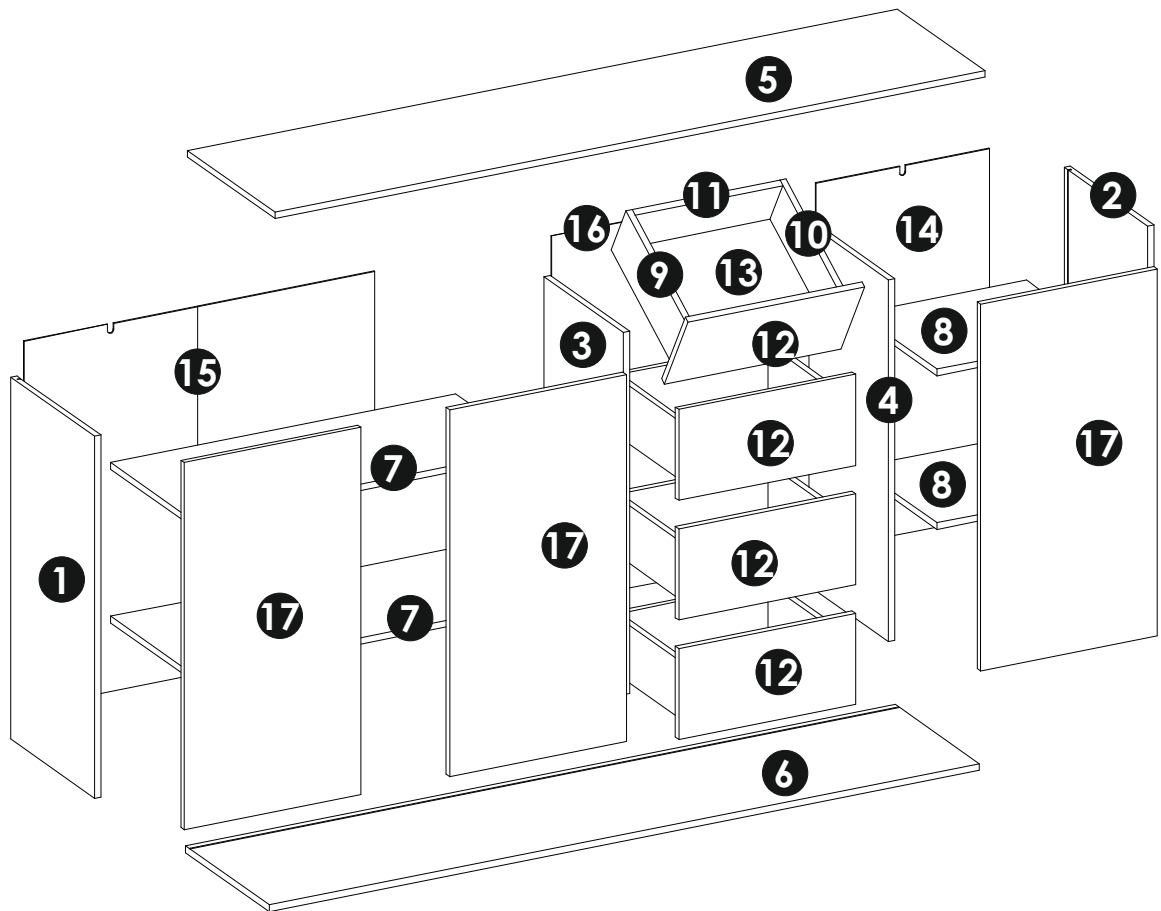
Modell: KERA



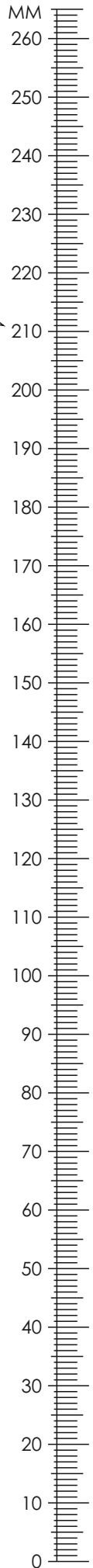
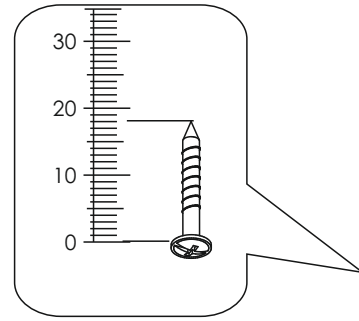
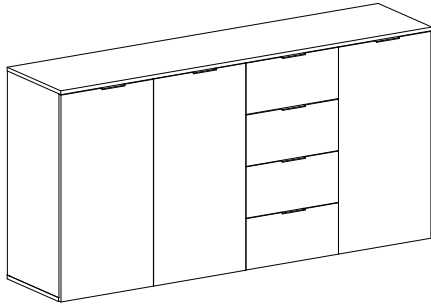


1	882	402	16	x1	1/3
2	882	402	16	x1	1/3
3	882	382	16	x1	1/3
4	882	382	16	x1	1/3
5	1815	420	16	x1	3/3
6	1815	402	16	x1	3/3
7	883	378	16	x2	1/3
8	430	378	16	x2	3/3
9	350	140	16	x4	3/3
10	350	140	16	x4	3/3
11	378	140	16	x4	3/3
12	450	220	16	x4	2/3

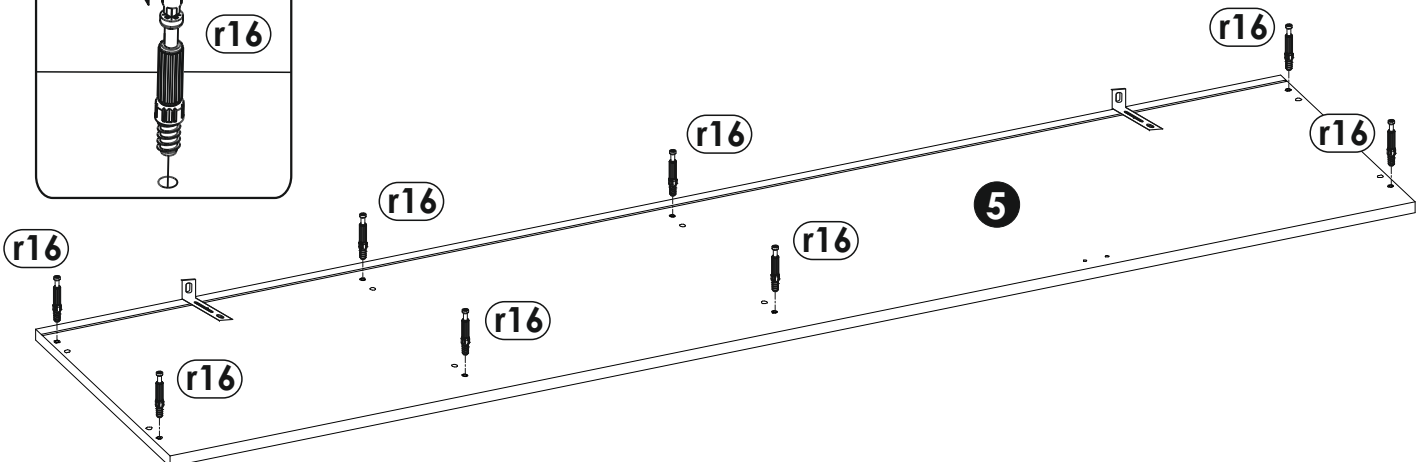
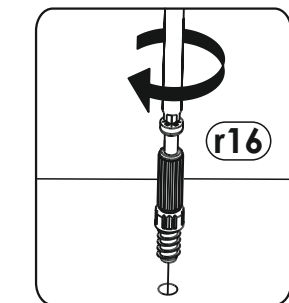
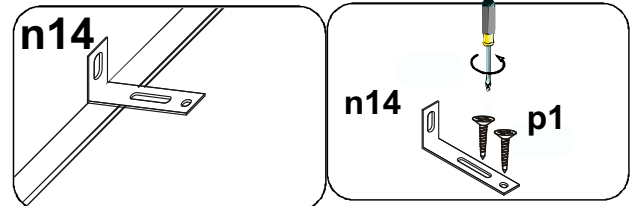
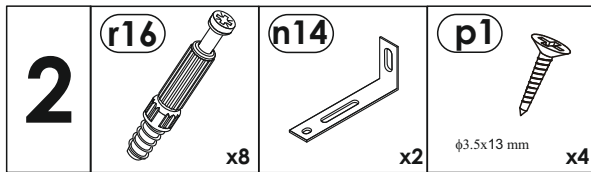
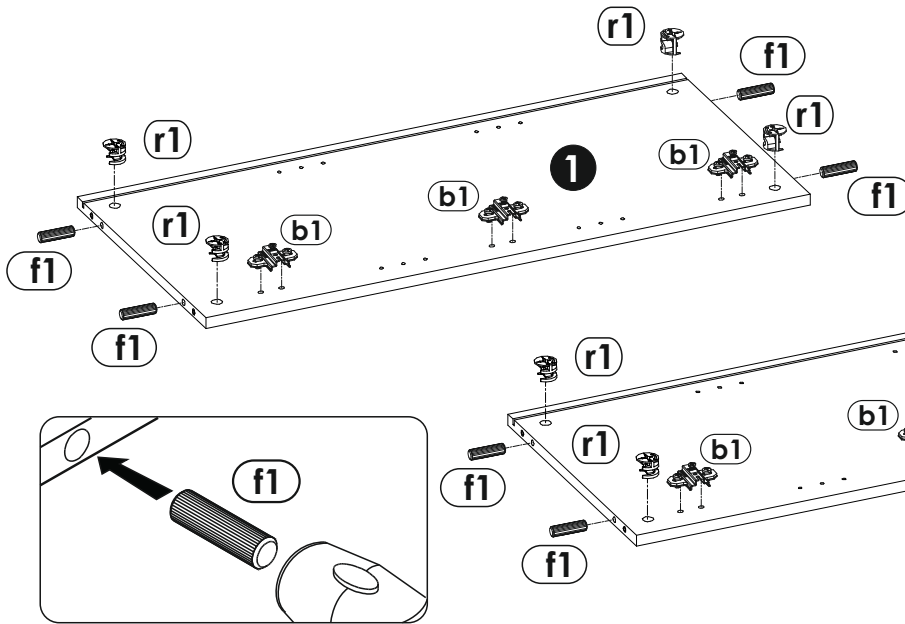
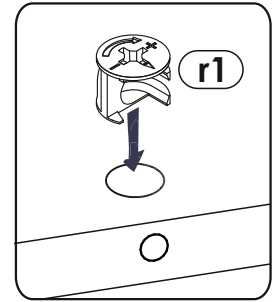
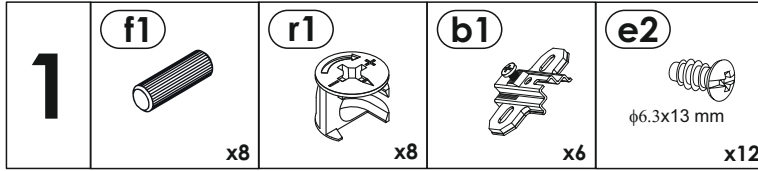
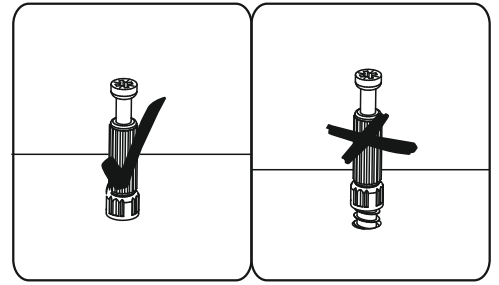
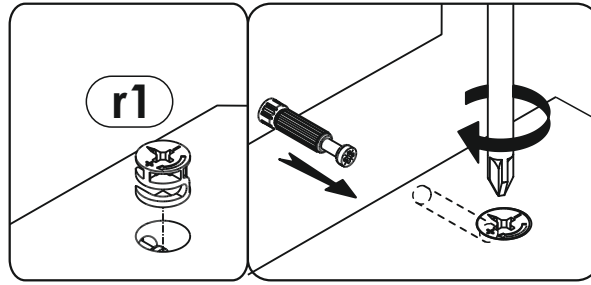
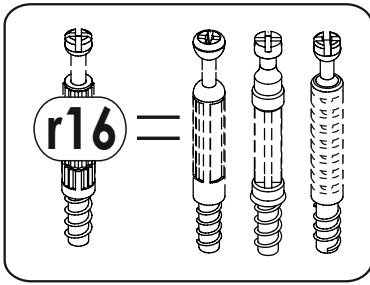
13	388	344	3	x4	2/3
14	896	444	3	x1	2/3
15	896	896	3	x1	2/3
16	896	450	3	x1	2/3
17	892	450	16	x3	2/3



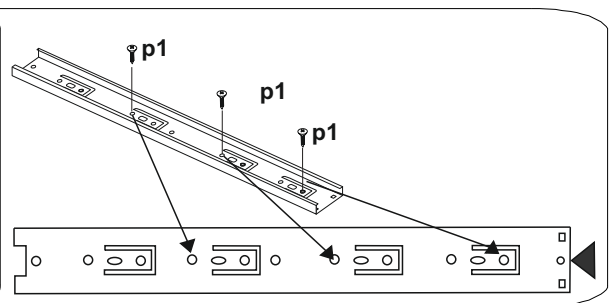
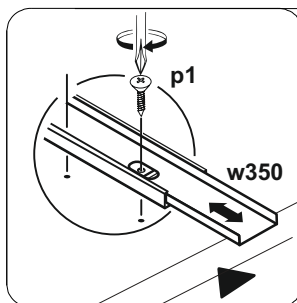
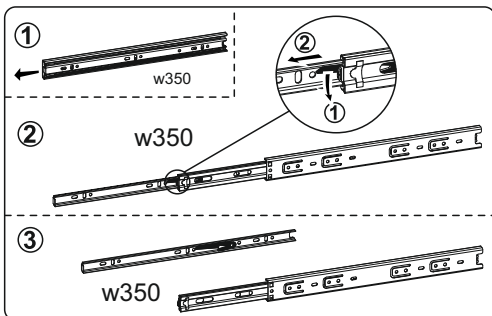
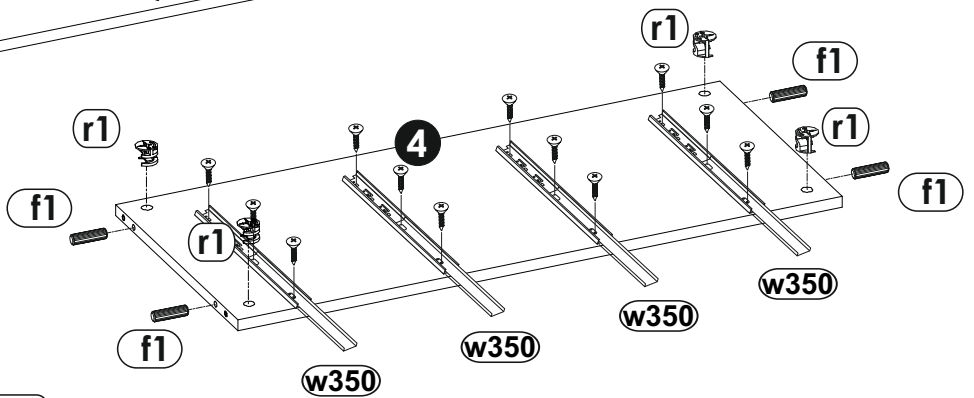
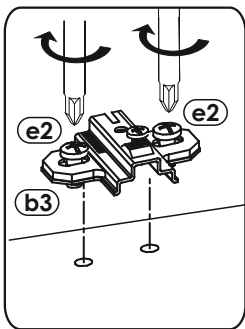
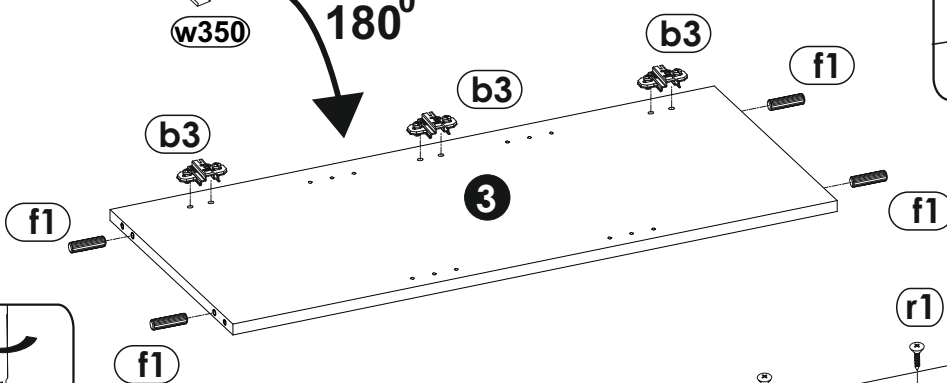
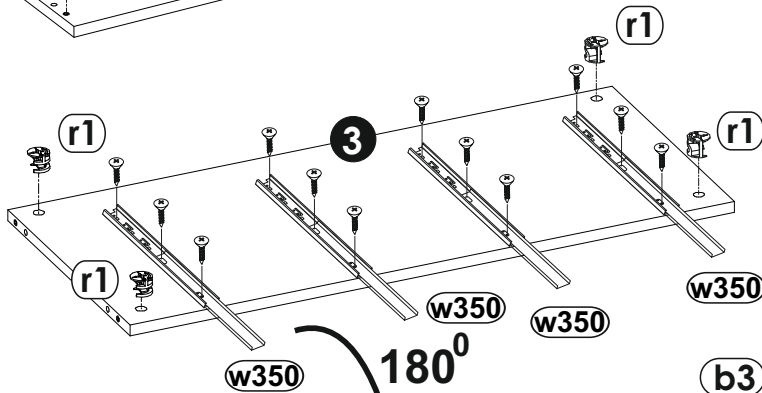
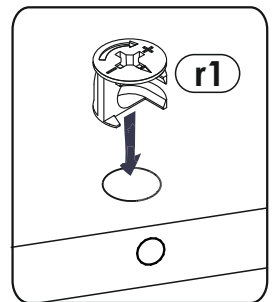
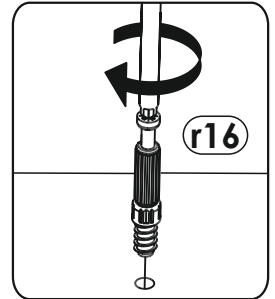
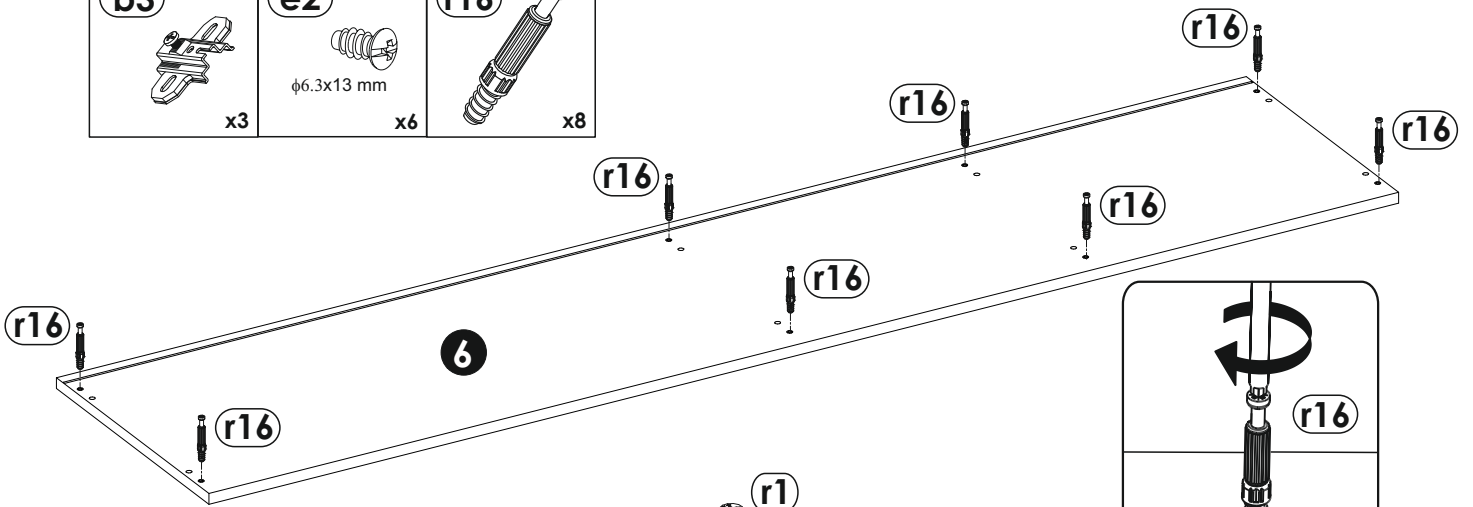
KERA

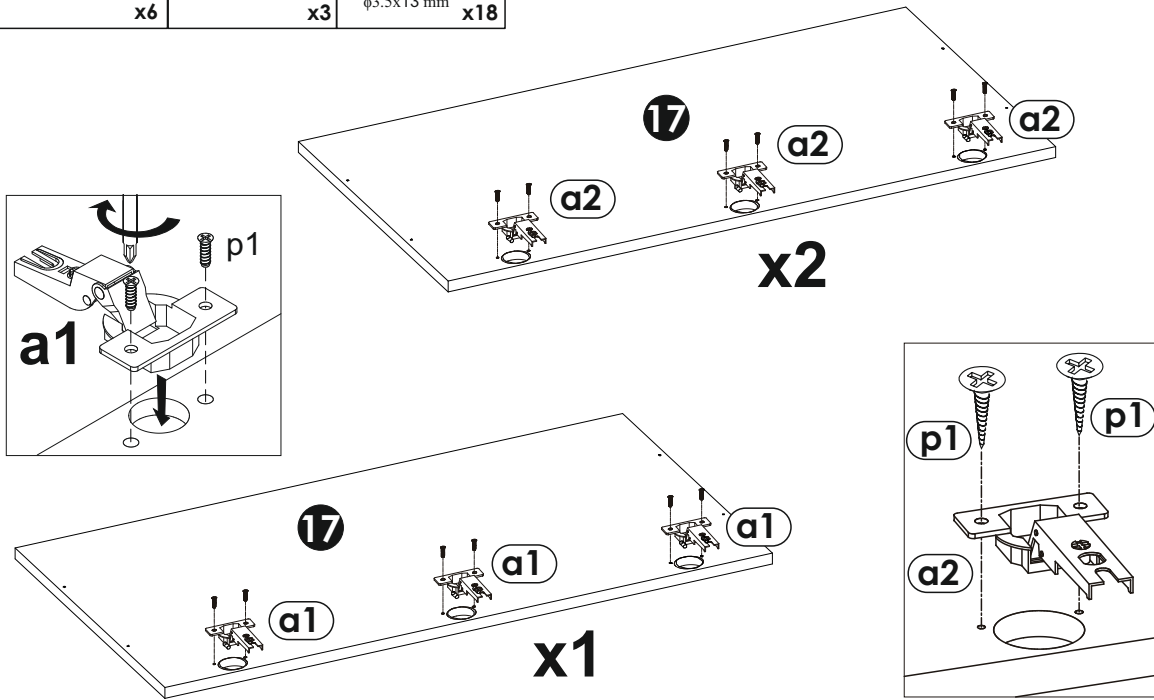
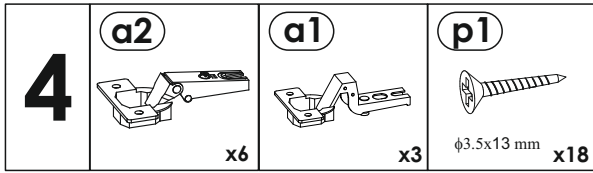


A	d1 φ5x17 mm x16	r16 6 x 34 mm x24	r1 15 x 12 mm x24
	d3 φ5x17 mm x2	p4 3.5 x 16 mm x12	f1 8 x 32 mm x48
B	p70 4 X 20 mm x5	z1 x1	k33 x5
	e1 6.3 x 50 mm x8	p5 4.2 x 13 mm x14	
C	p1 3.5 X 13 mm x70	i9 x12	s2/a x16
	s2/b x8	i2 x30	s1 x8
D	n14 x2	f17 φ8x50 mm x2	o21 x12
	w350 L350 mm x4	b1 + a2 + e2 x6 x6 x12	b1 + a1 + e2 x3 x3 x6
	c32 250 mm x7		

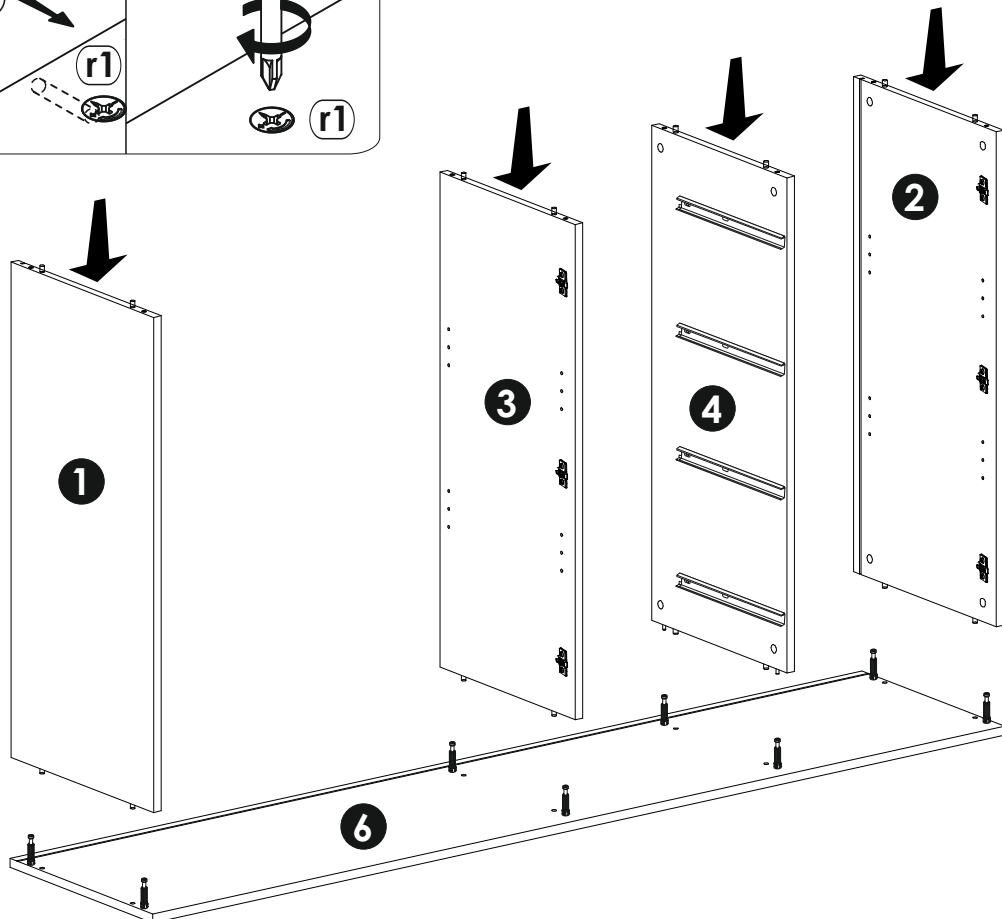
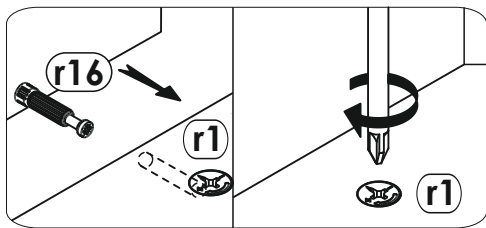


3	w350 L350 mm x8	p1 φ3.5x13 mm x24	f1 x8	r1 x8
	b3 x3	e2 φ6.3x13 mm x6	r16 x8	

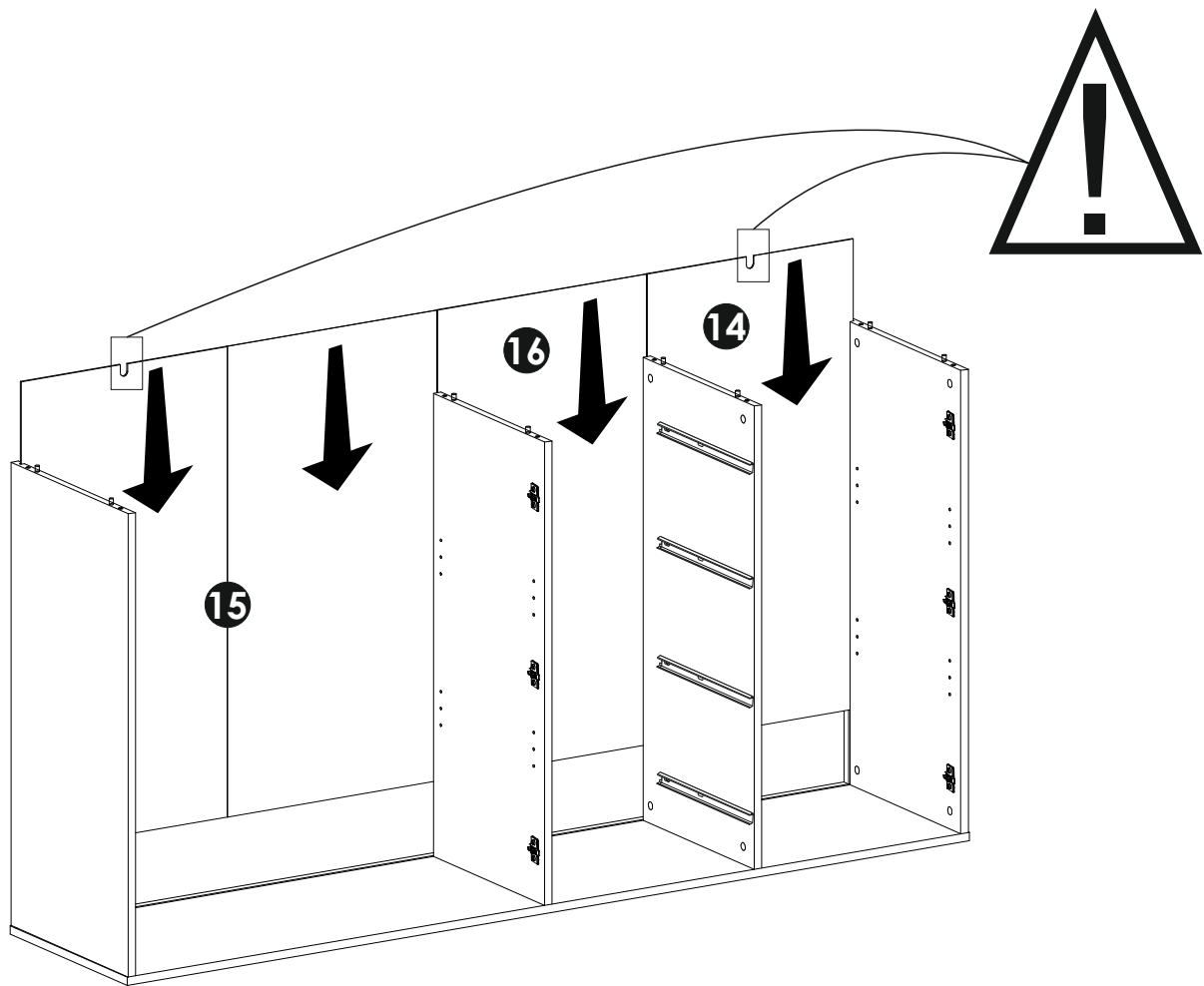




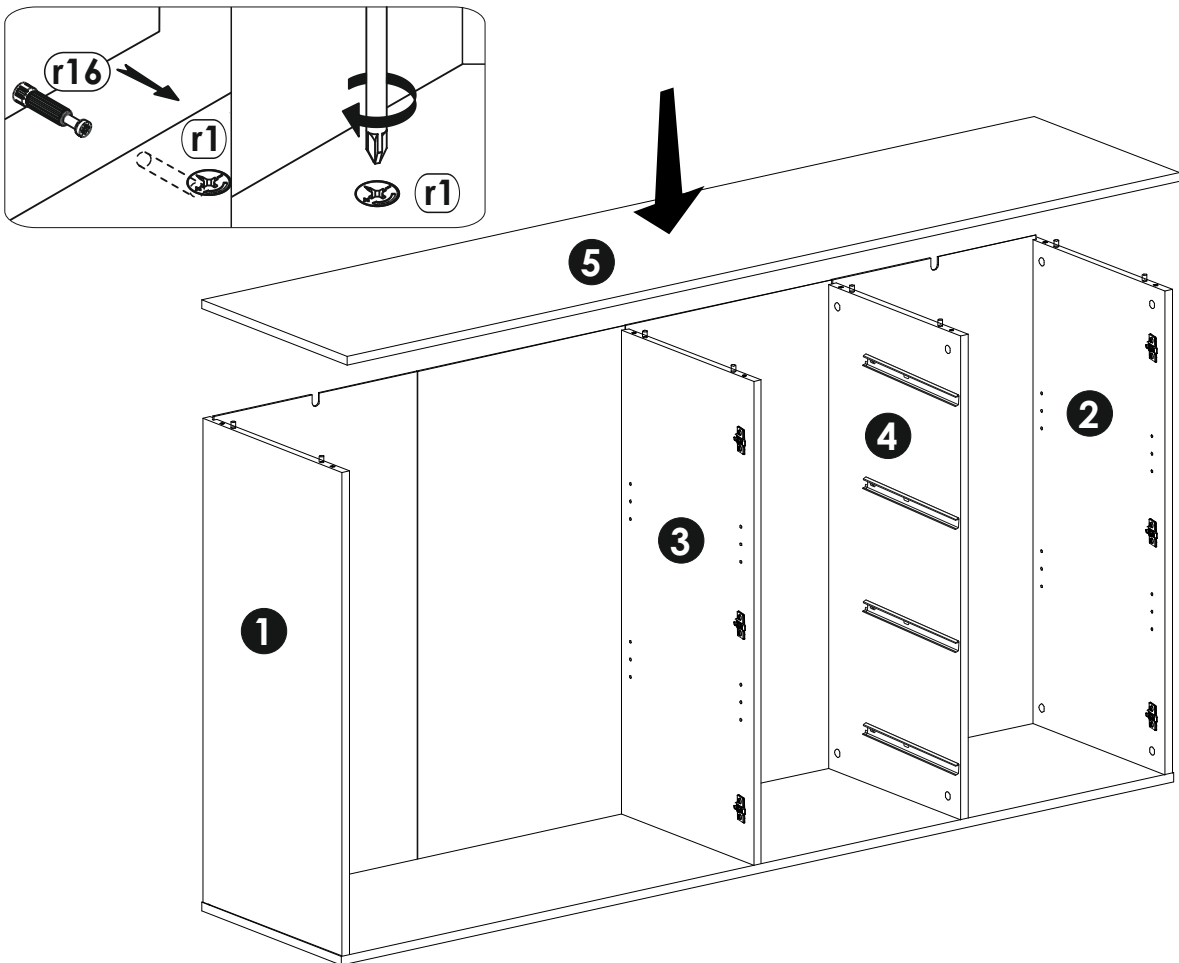
5

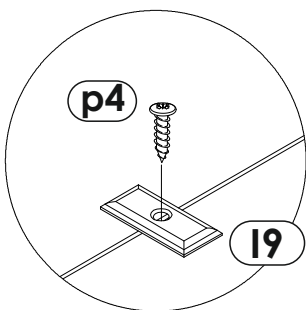
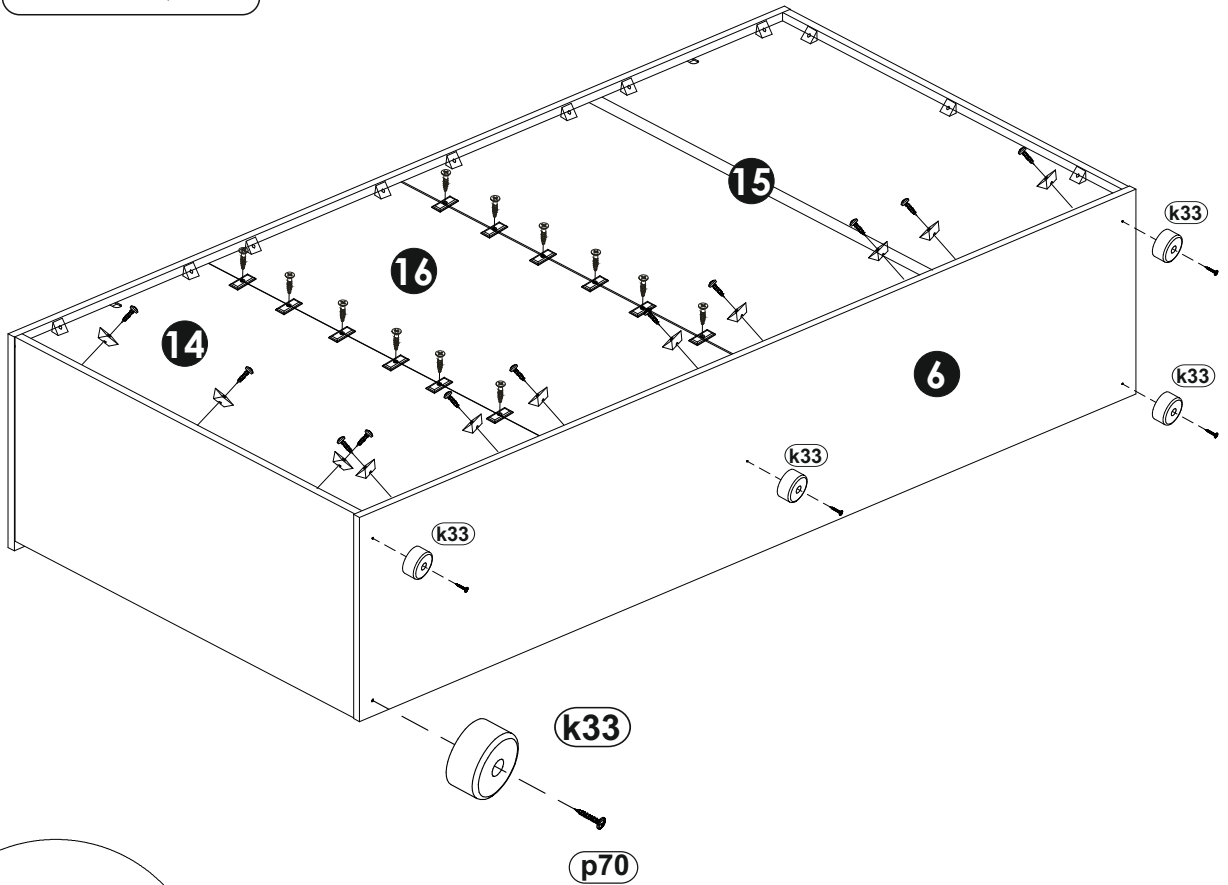
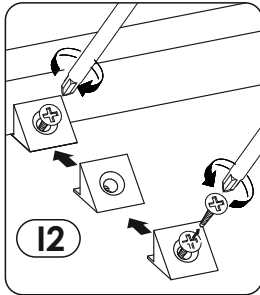
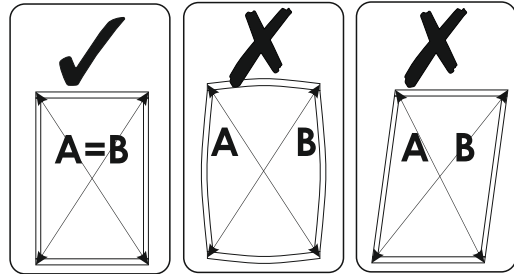
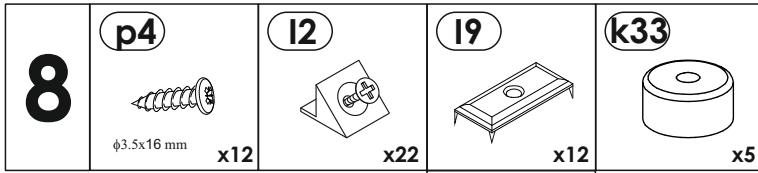


6

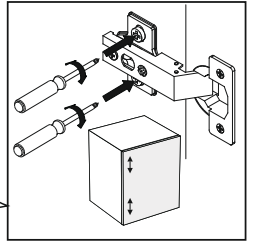
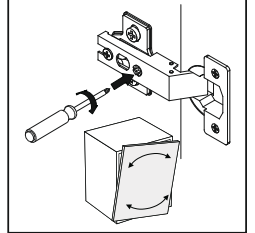
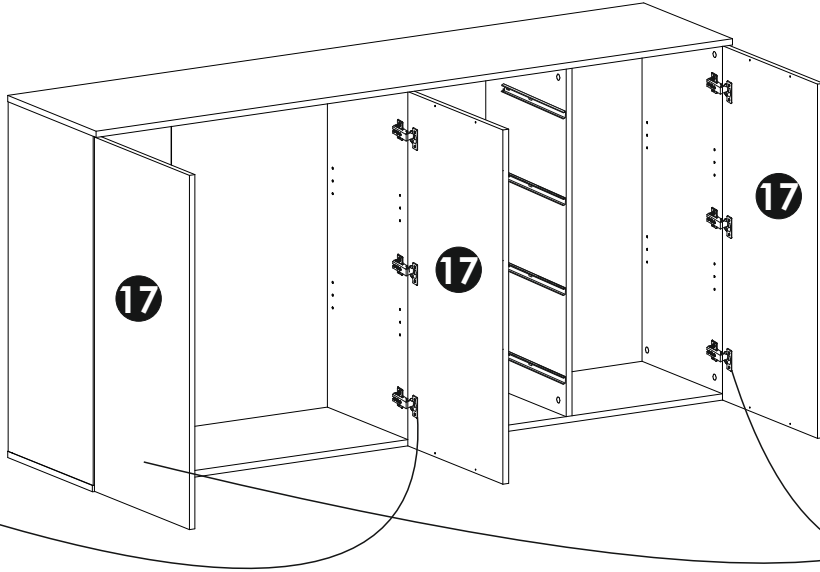
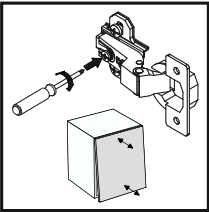
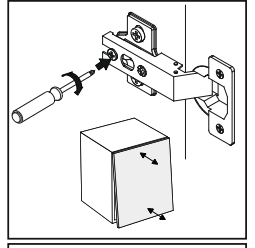
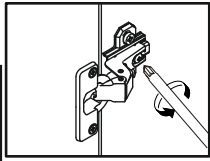
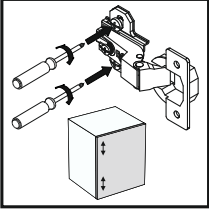
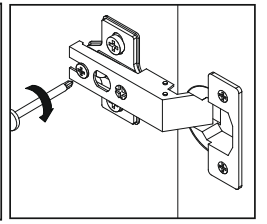
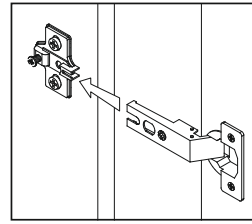
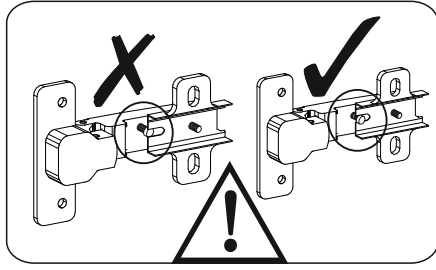
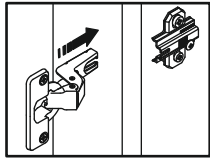


7

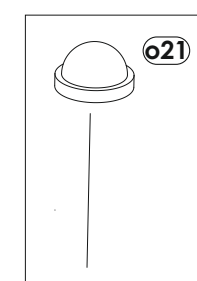
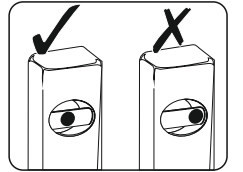
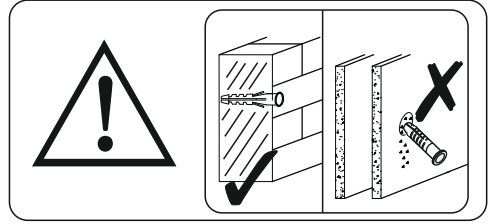
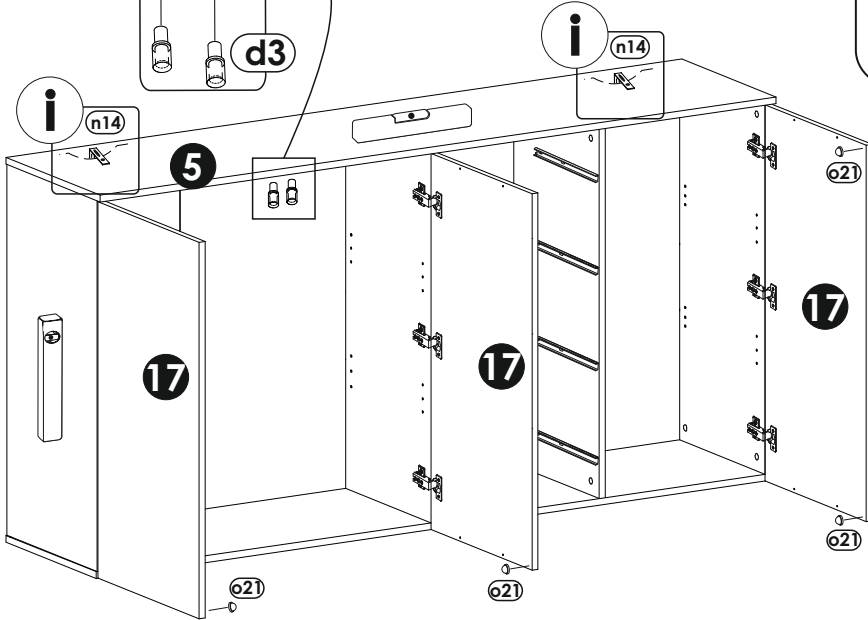
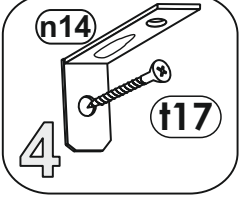
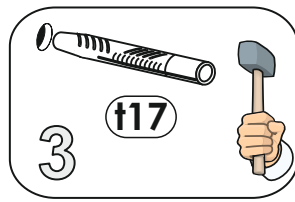
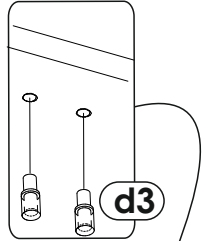
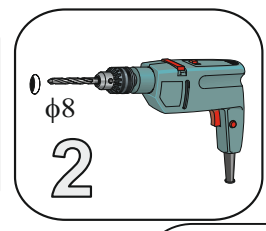
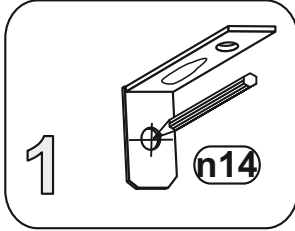
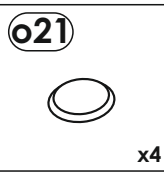


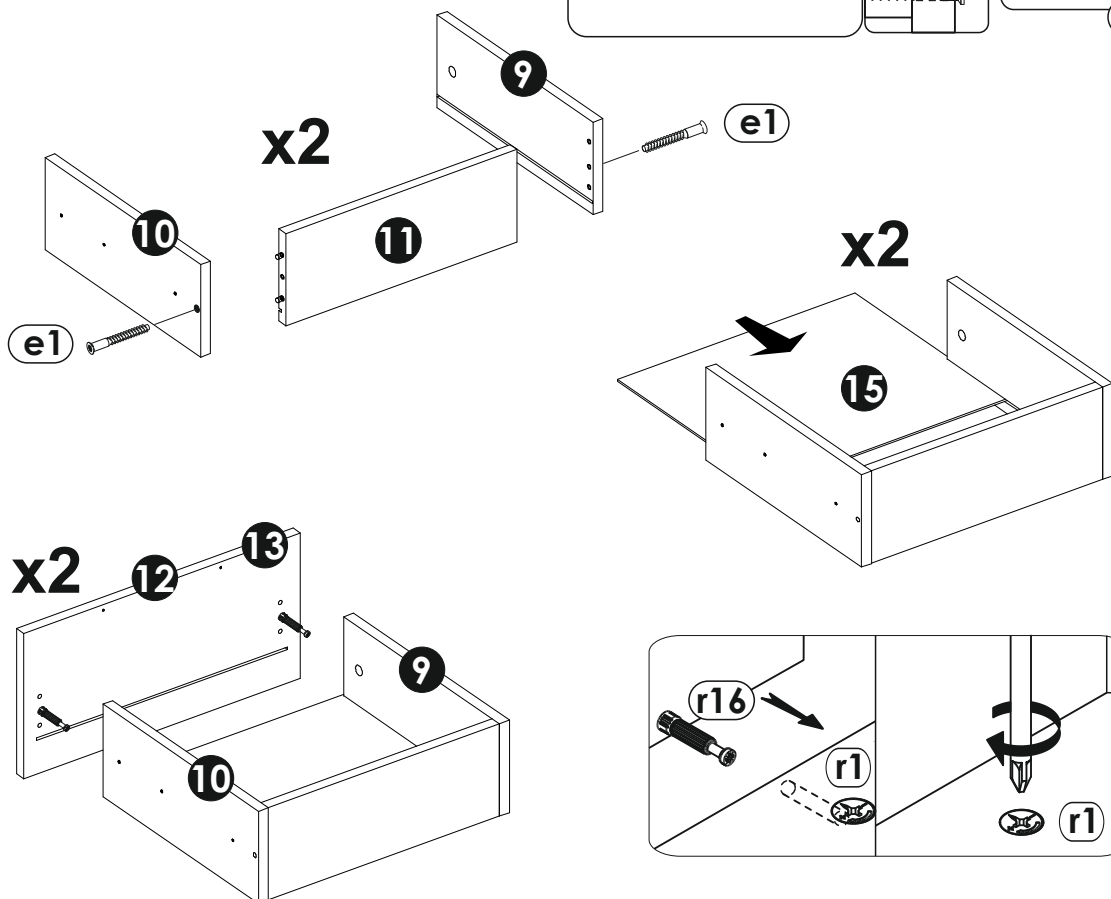
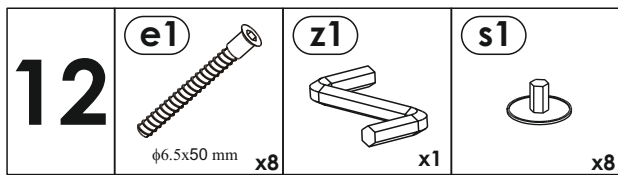
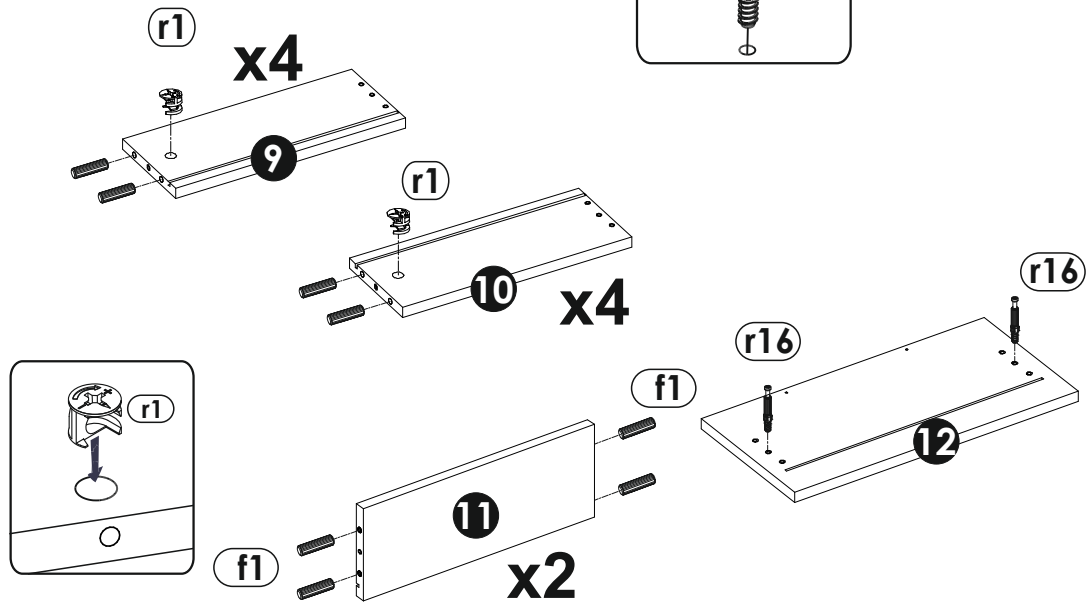
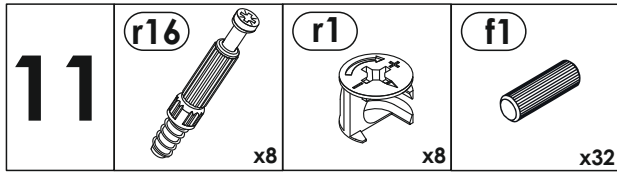


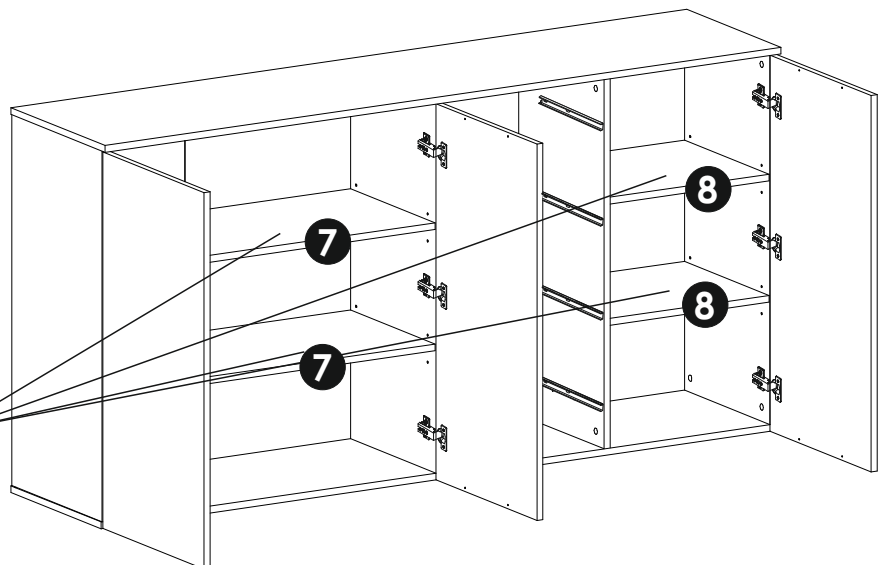
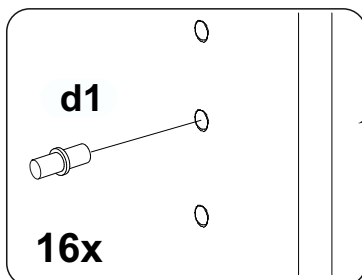
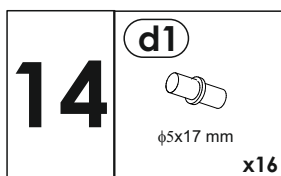
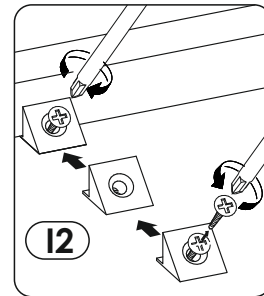
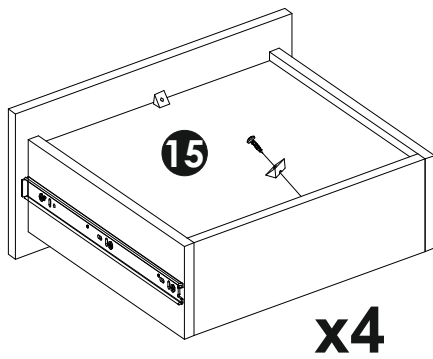
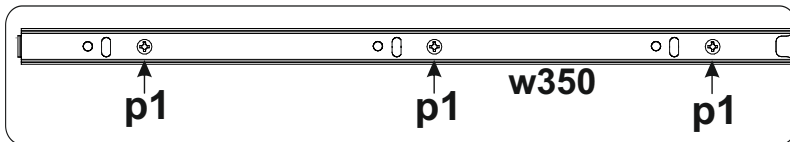
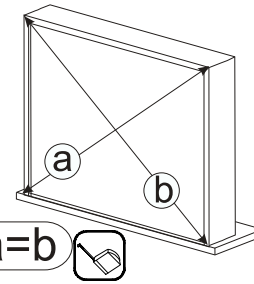
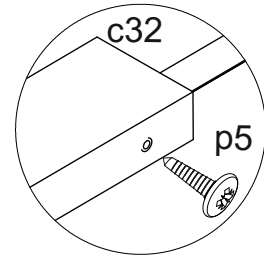
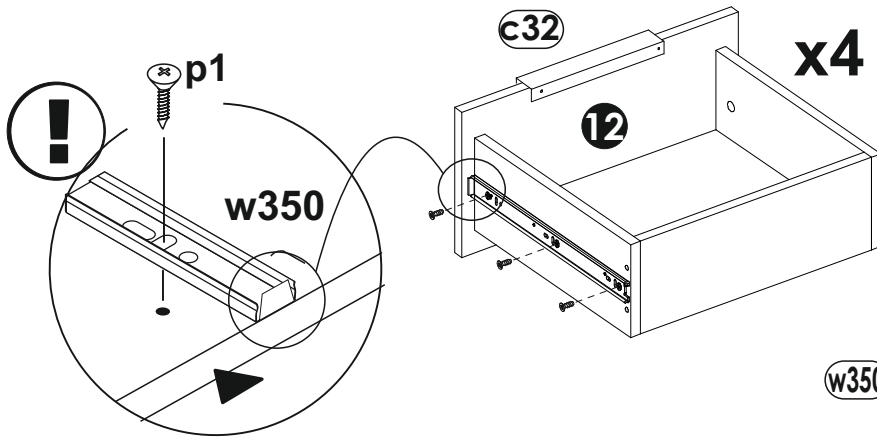
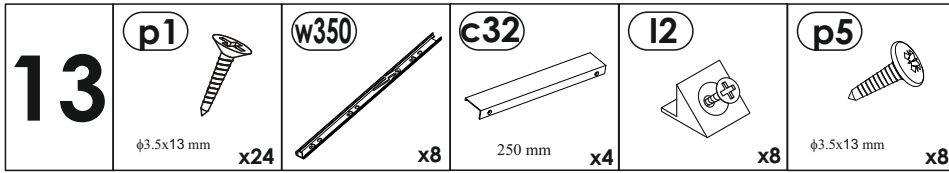
9








10







15	o21	s2/a	s2/b	c32	p5
					
	x8	x16	x8	250 mm x3	φ3.5x13 mm x6

