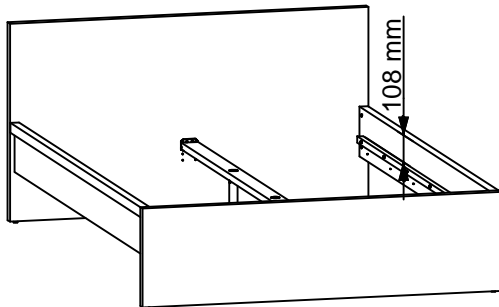
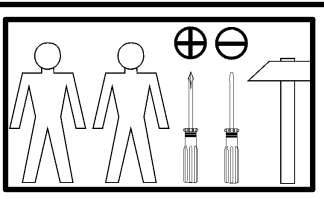
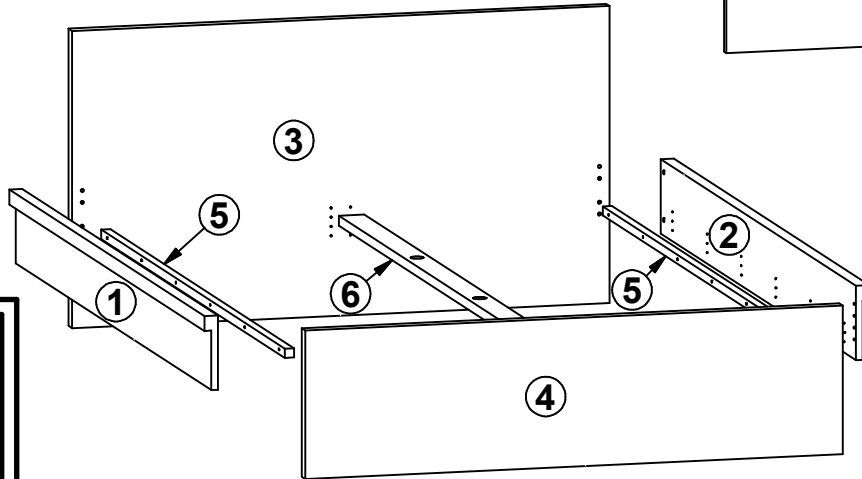
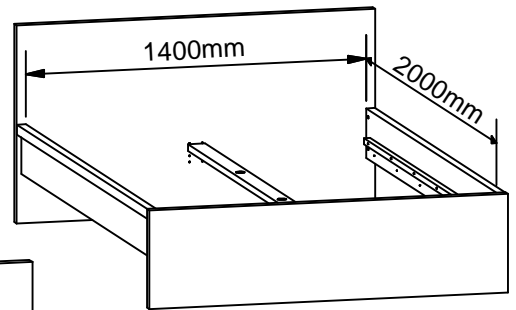
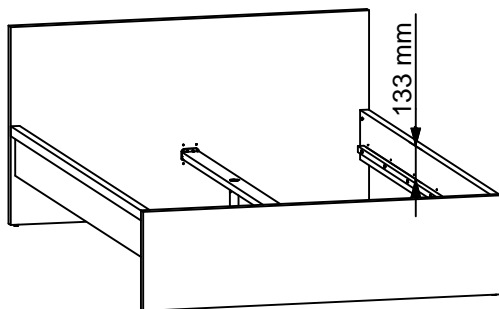
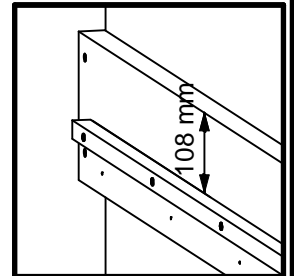
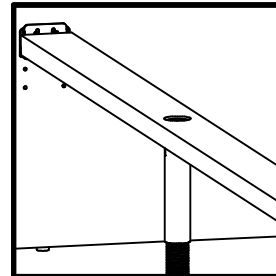


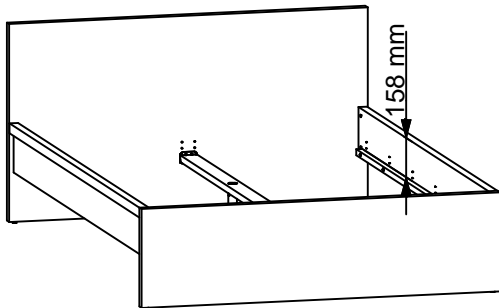
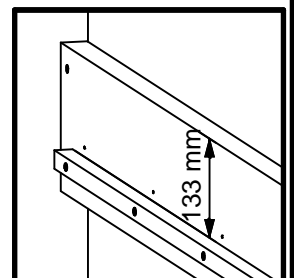
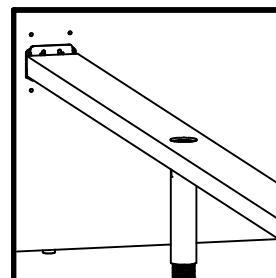
A	B	C	D
1	L26-101	2000	200
2	L26-102	2000	200
3	L26-403	1474	800
4	L26-404	1474	400
5	ZZ1-709	1880	25
6	ZZ1-745	1983	70



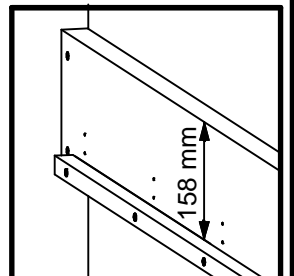
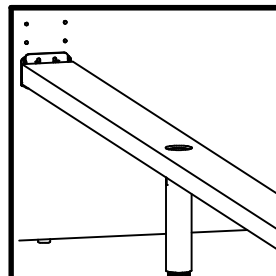
A



B

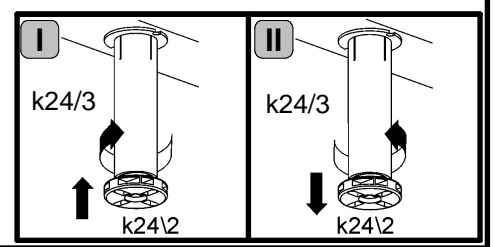
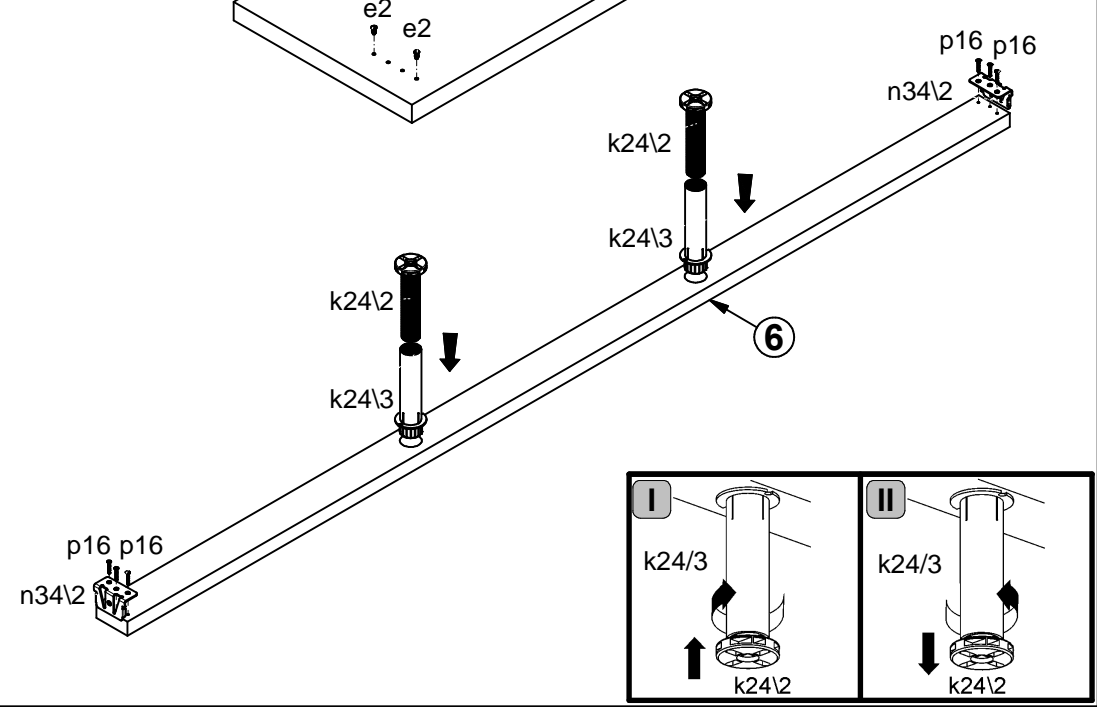
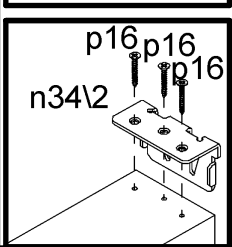
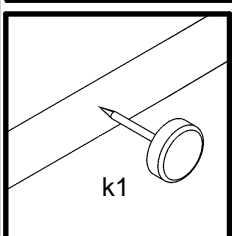
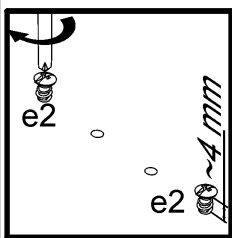
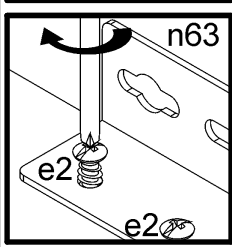
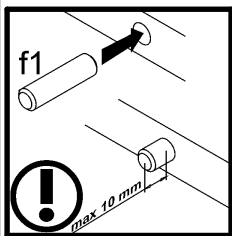
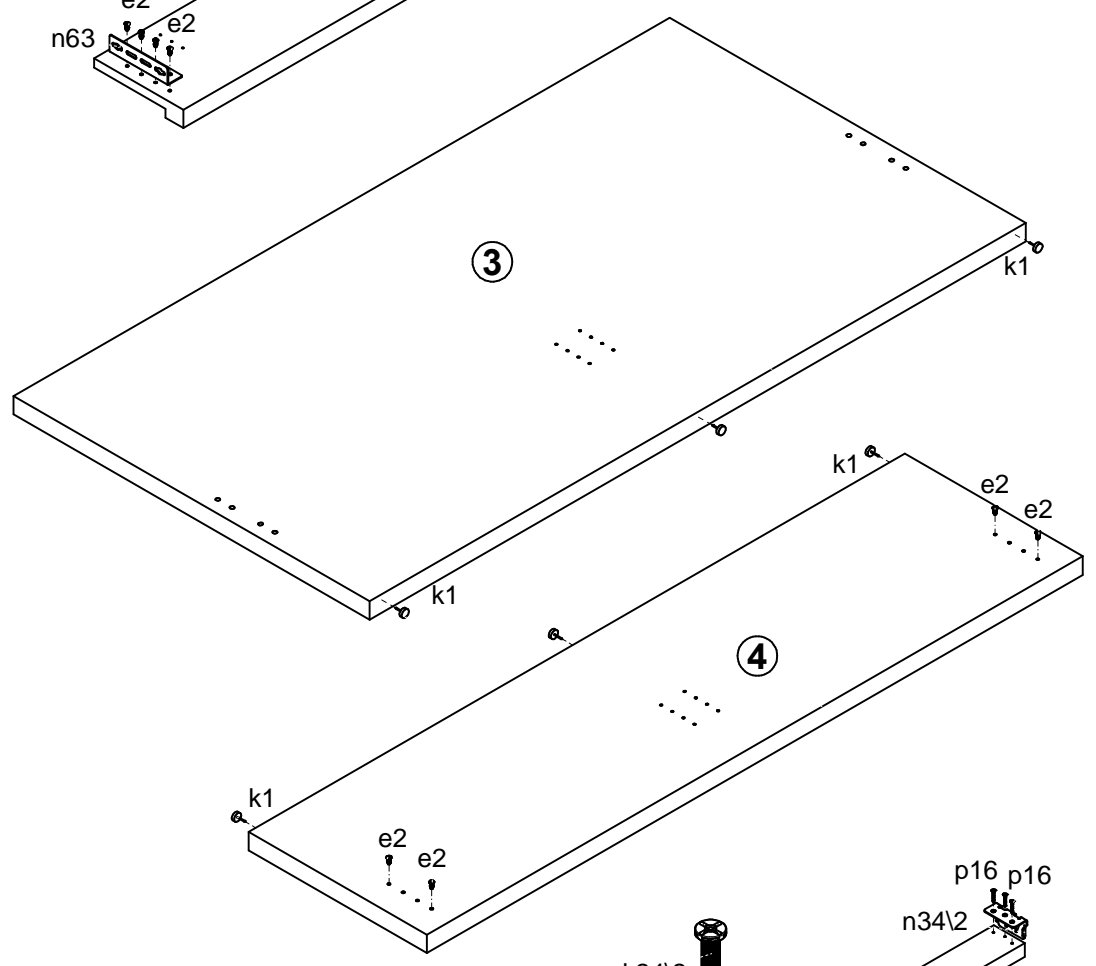
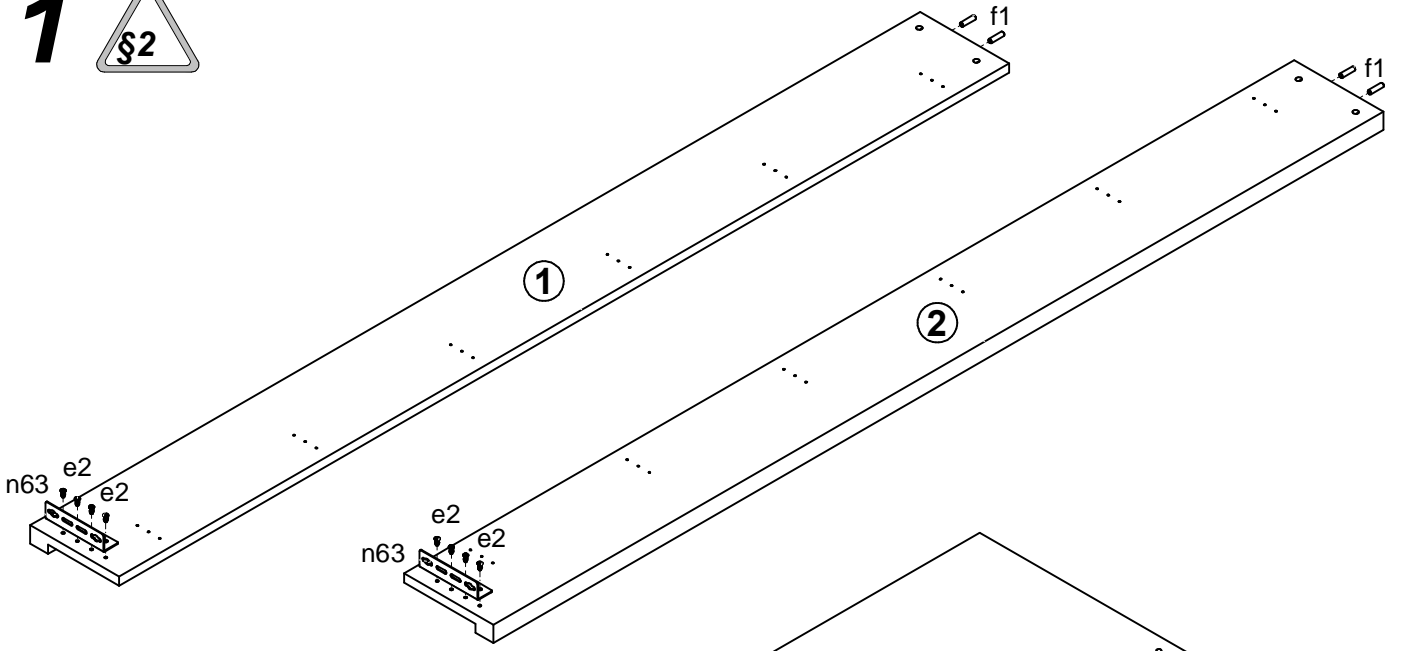


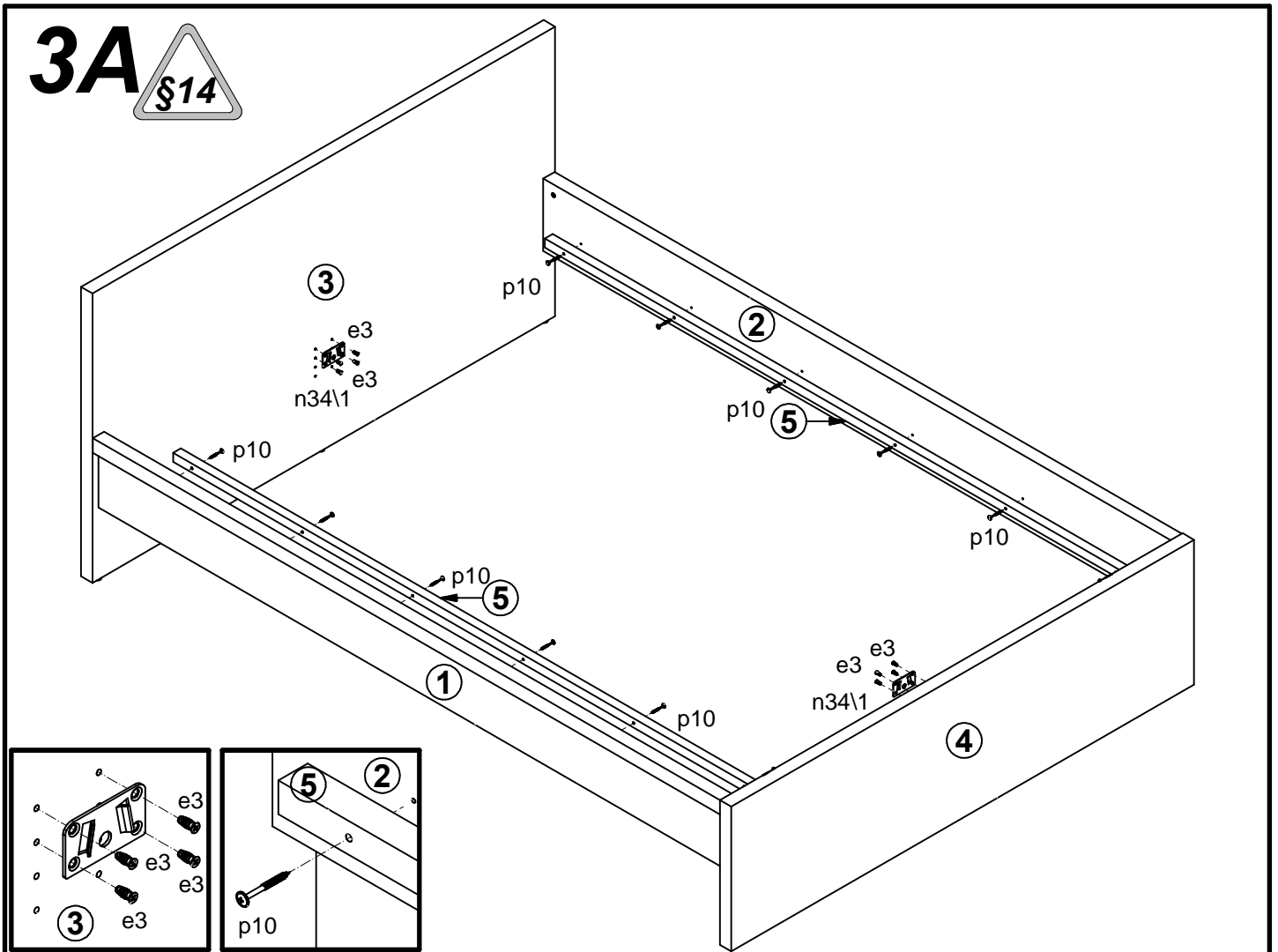
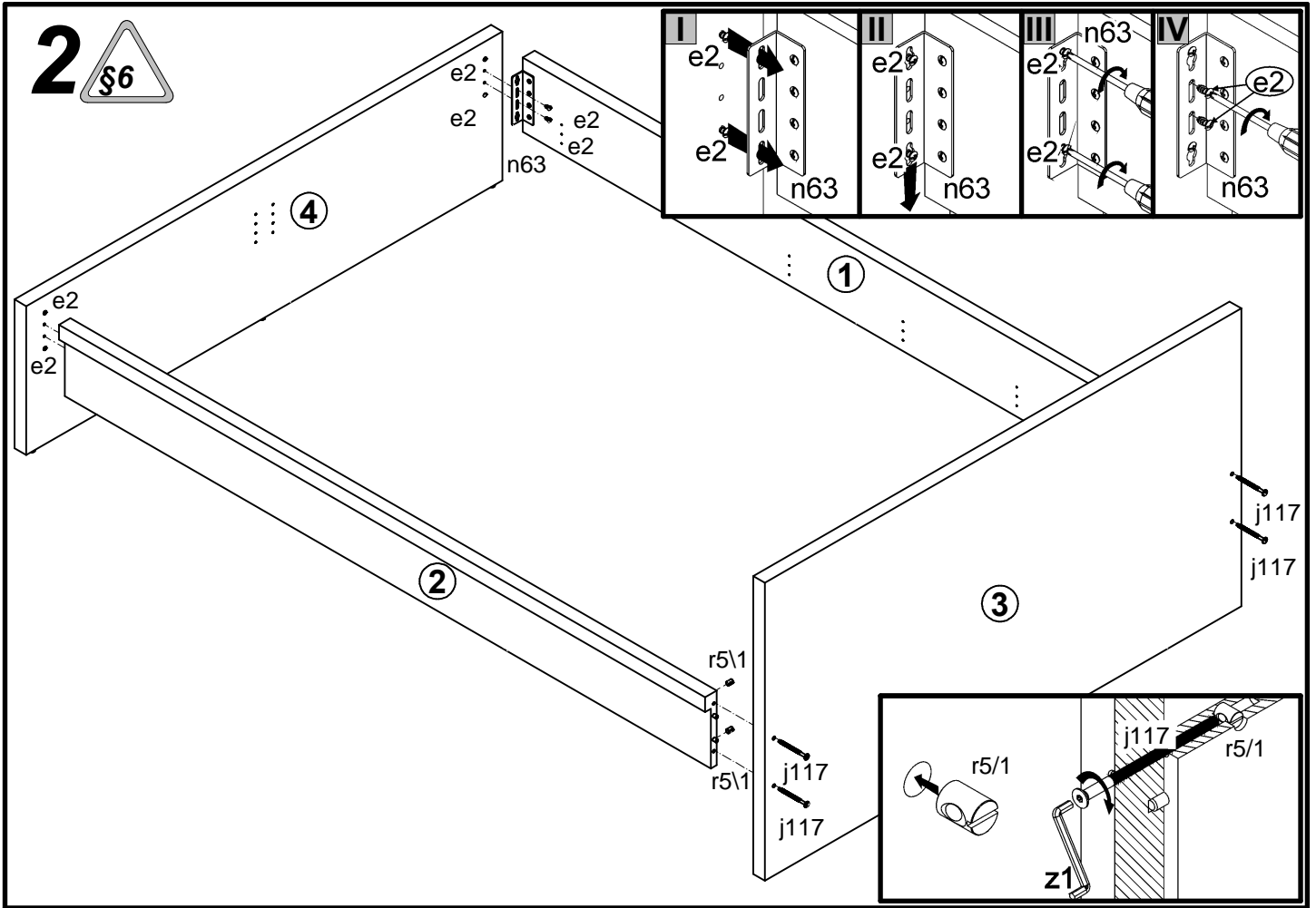
C



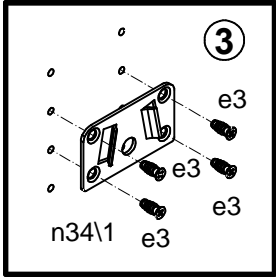
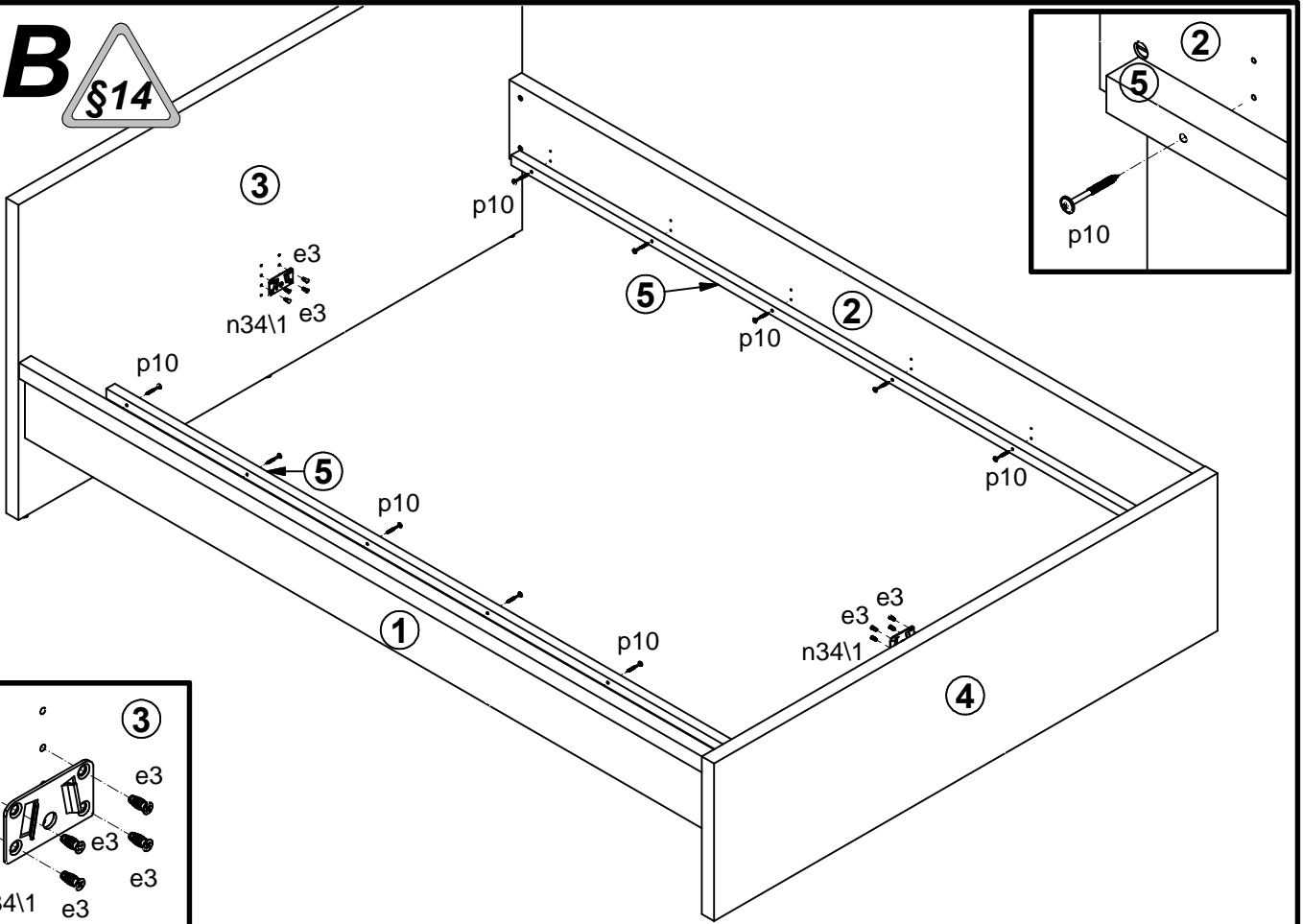
16x Ø6,3x13 mm e2	8x Ø6x13 mm e3	4x Ø8x30 mm f1	4x M6x84 mm j117	6x k1	2x k242	2x k243	2x n341	2x n342
2x 130x34x34/2 mm n63	1x Ø4x35 mm p6	12x Ø4x40 mm p10	6x Ø3,5x25 mm p16	4x Ø10x13 mm r51	1x z1			

1 





3B



3C

