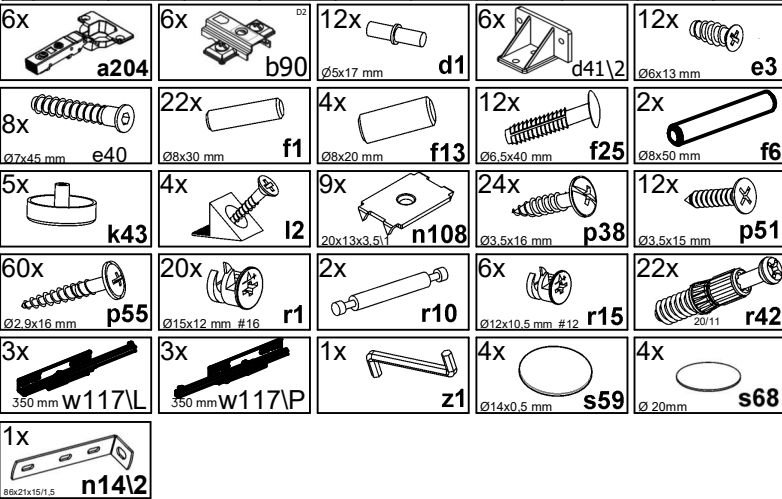
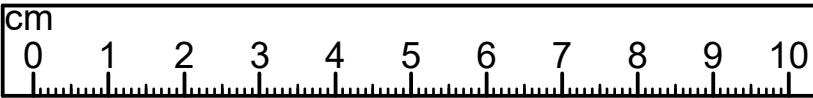
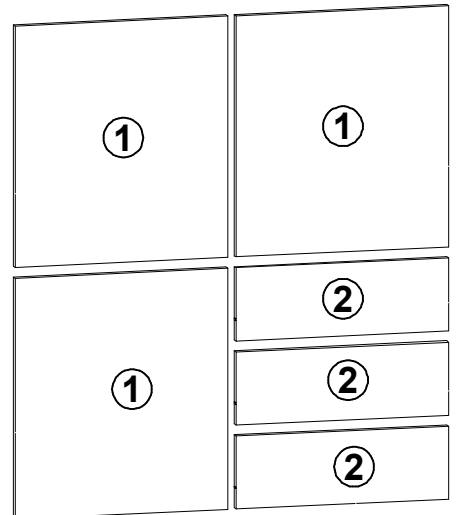
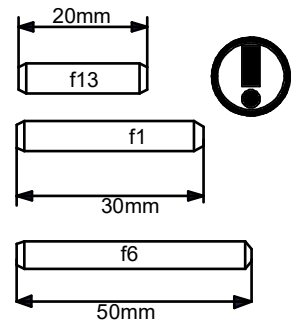
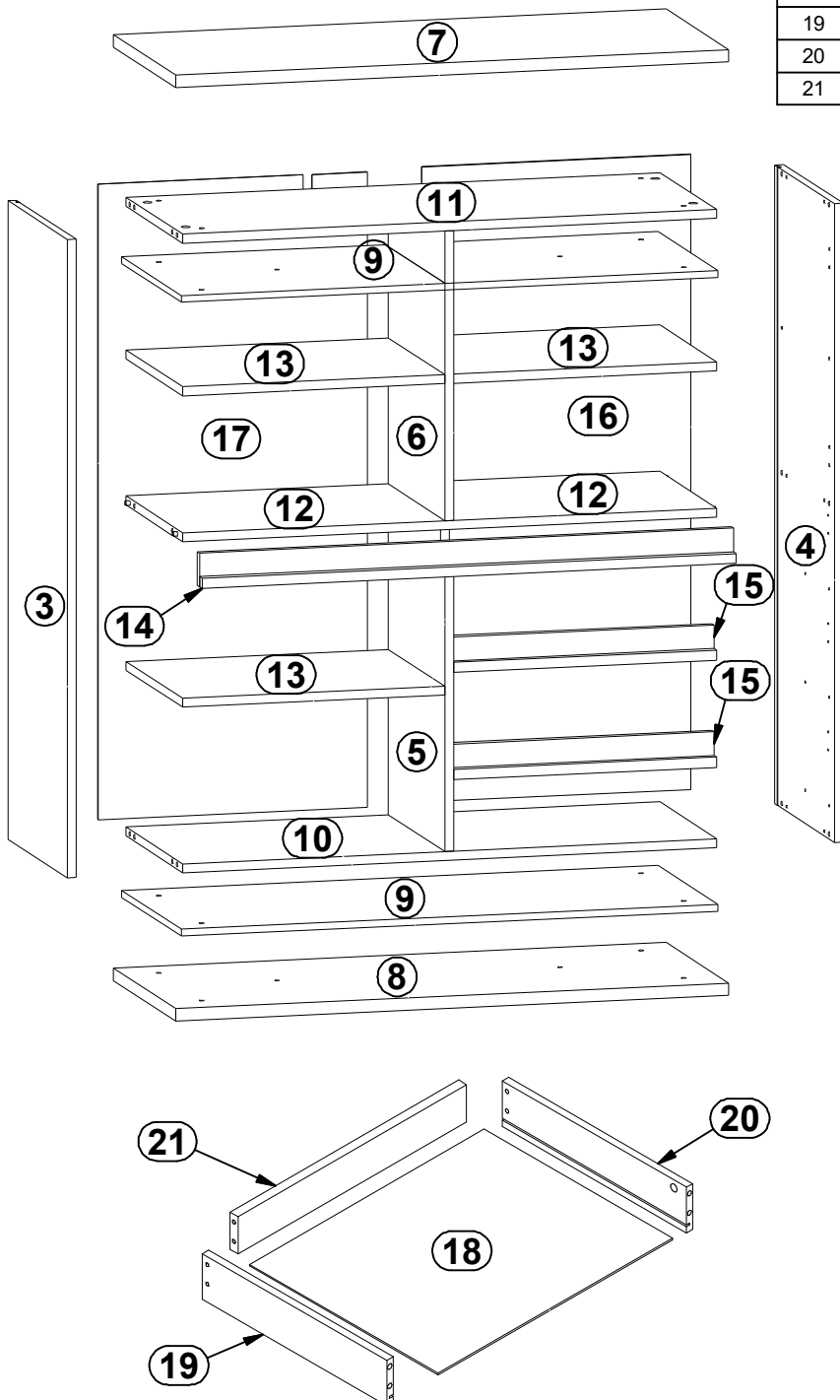
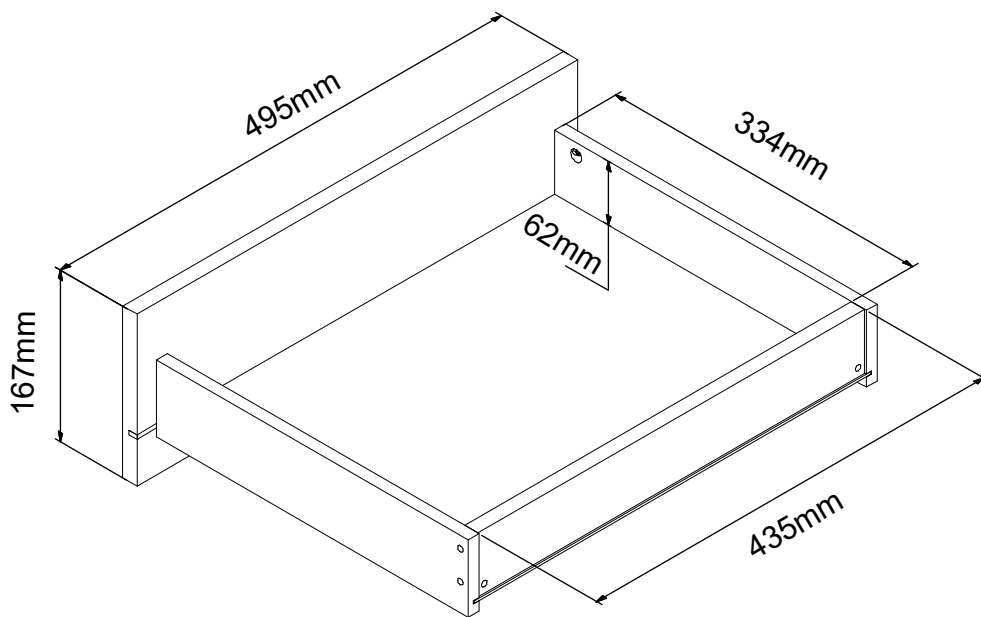
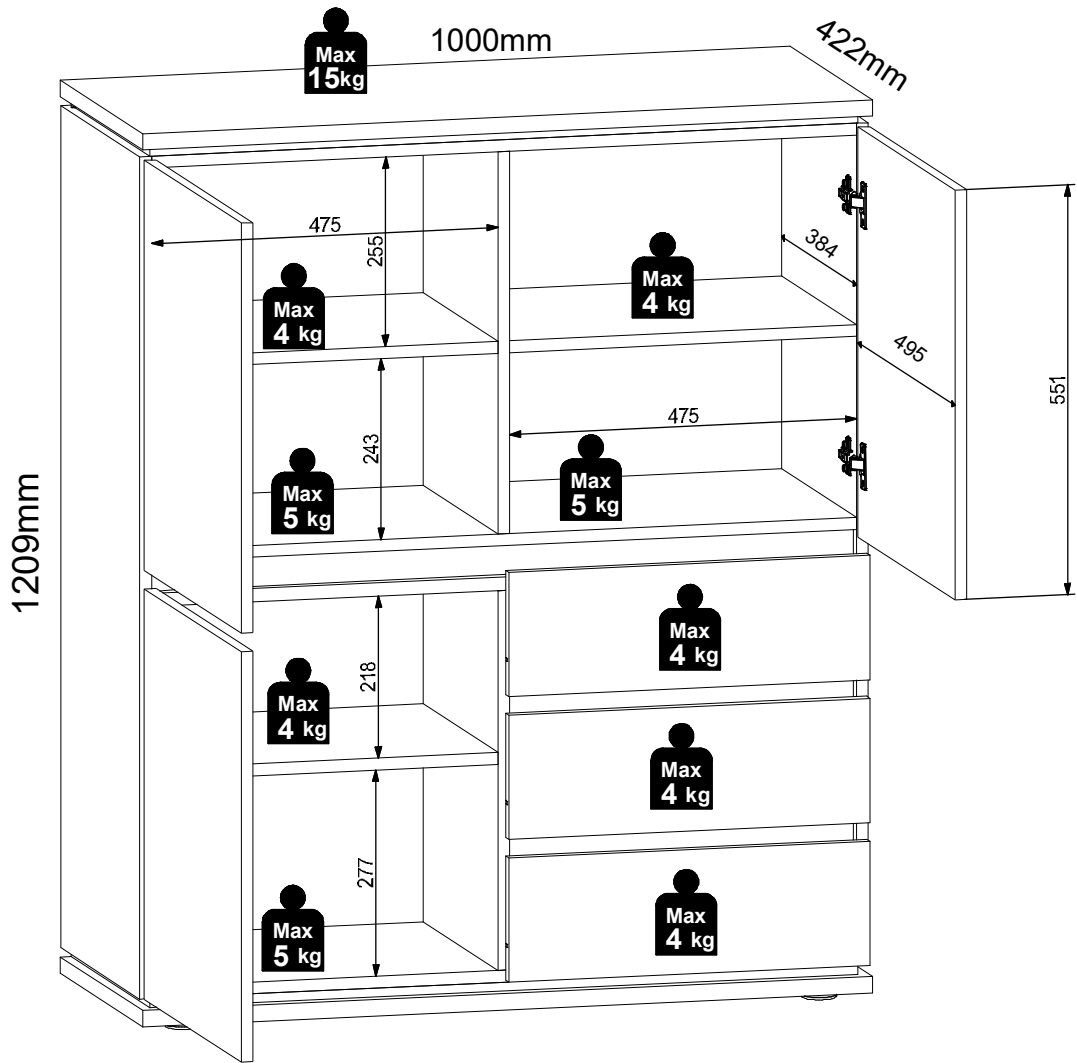


24270025/05
 24270025/14
 1391799
 1391801

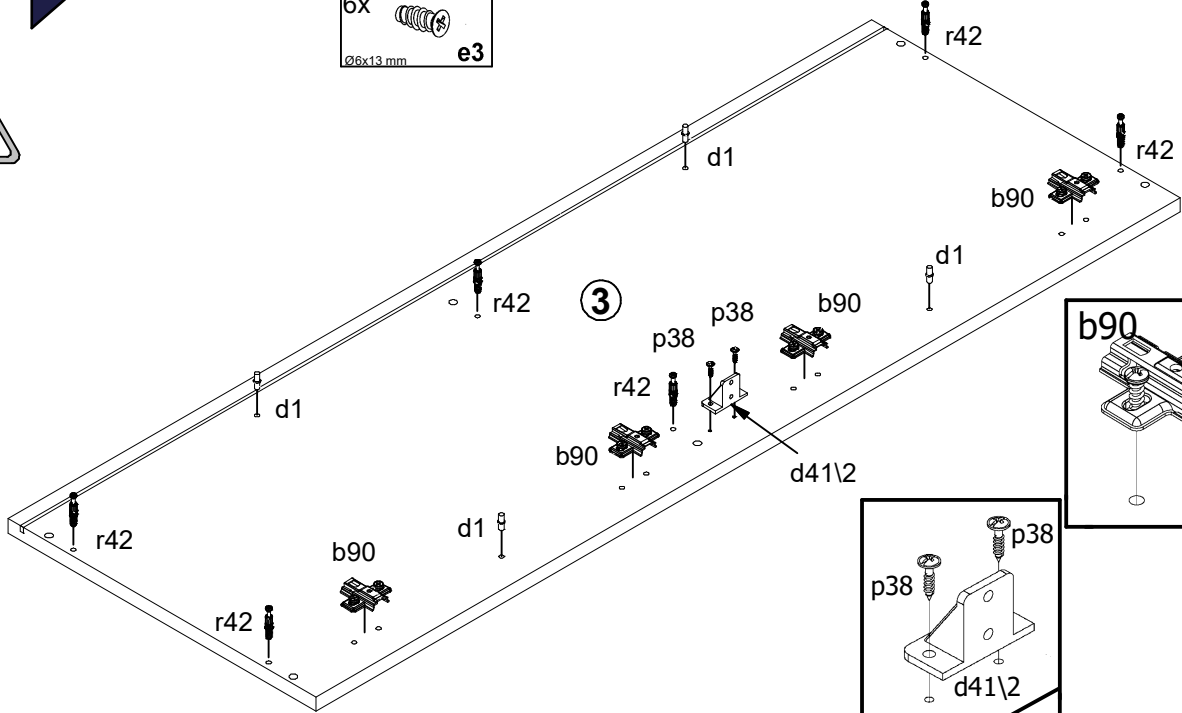
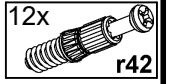
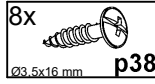
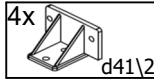
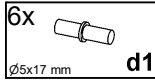
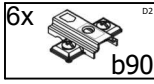


| A | B1 | B2 | C1 | C2 | C3 | C4 | D |
|----|-----------|----|-------|-----|-----|----|-----|
| 1 | S703-0001 | - | 551 | 495 | 16 | 3 | 3/3 |
| 2 | S703-0002 | - | 495 | 167 | 16 | 3 | 3/3 |
| 3 | S703-1001 | - | 1132 | 404 | 16 | 1 | 3/3 |
| 4 | S703-1004 | - | 1132 | 404 | 16 | 1 | 3/3 |
| 5 | S703-1005 | - | 570,5 | 384 | 16 | 1 | 1/3 |
| 6 | S703-1006 | - | 513,5 | 384 | 16 | 1 | 1/3 |
| 7 | S703-2001 | - | 1000 | 422 | 22 | 1 | 2/3 |
| 8 | S703-2002 | - | 1000 | 422 | 22 | 1 | 2/3 |
| 9 | S703-2003 | - | 970 | 404 | 12 | 2 | 2/3 |
| 10 | S703-3001 | - | 966 | 384 | 16 | 1 | 1/3 |
| 11 | S703-3002 | - | 966 | 384 | 16 | 1 | 1/3 |
| 12 | S703-3003 | - | 966 | 384 | 16 | 1 | 1/3 |
| 13 | S703-3004 | - | 475 | 383 | 16 | 3 | 1/3 |
| 14 | S703-5301 | - | 966 | 60 | 32 | 1 | 3/3 |
| 15 | S703-5302 | - | 475 | 60 | 32 | 2 | 3/3 |
| 16 | S703-9001 | - | 1126 | 487 | 2,5 | 1 | 3/3 |
| 17 | S703-9002 | - | 1126 | 487 | 2,5 | 1 | 3/3 |
| 18 | WSP-9720 | - | 445 | 358 | 2,5 | 3 | 2/3 |
| 19 | WSQ1-5005 | - | 350 | 75 | 12 | 3 | 2/3 |
| 20 | WSQ1-5006 | - | 350 | 75 | 12 | 3 | 2/3 |
| 21 | ZQ6-5298 | - | 434 | 62 | 15 | 3 | 1/3 |

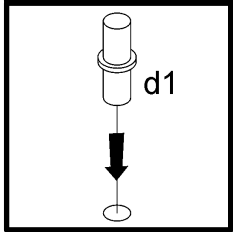
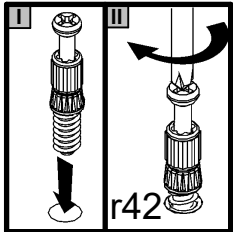
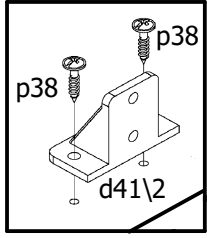
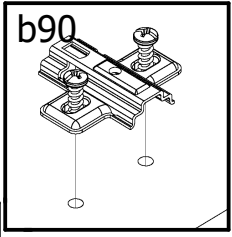




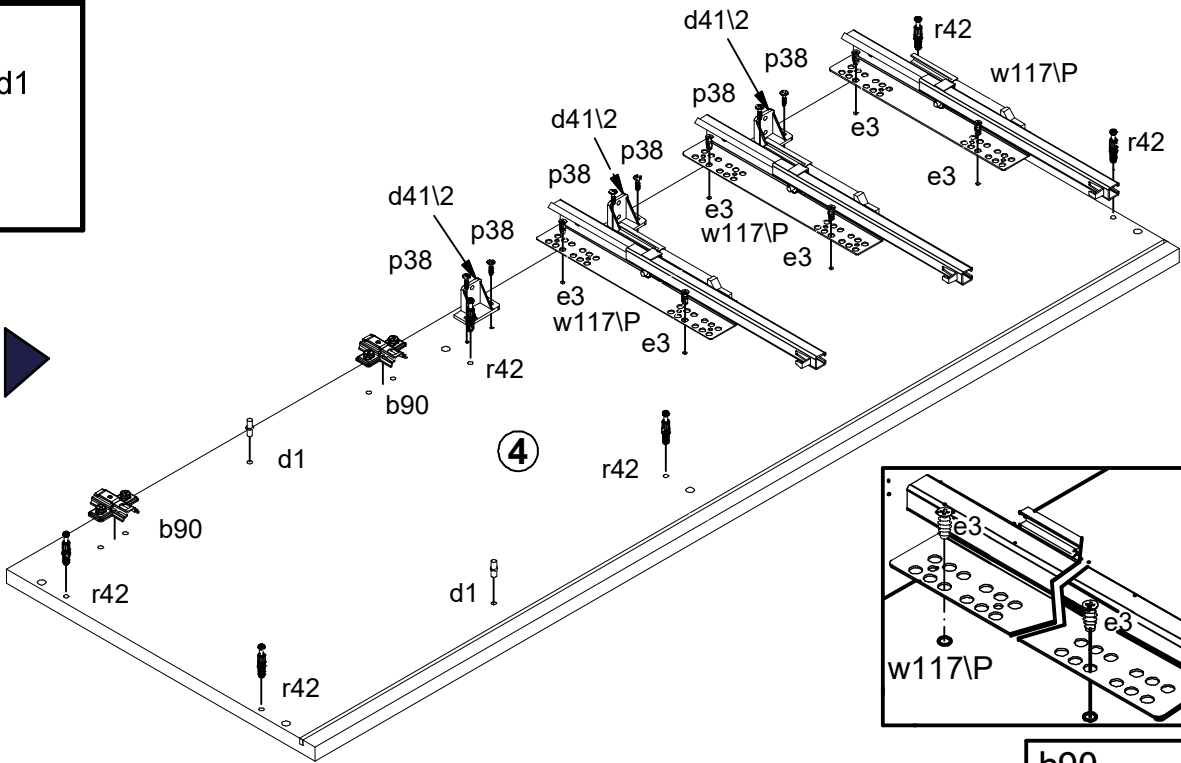
1 ▶



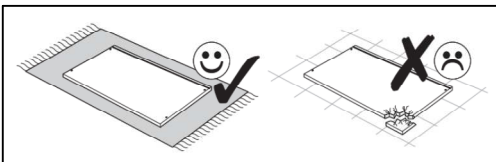
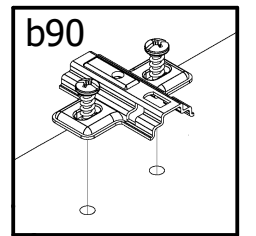
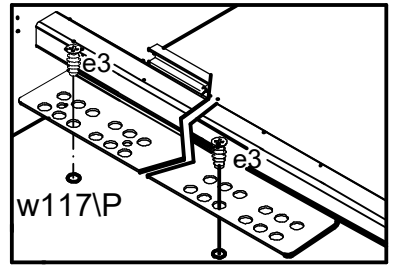
3



2 ▶

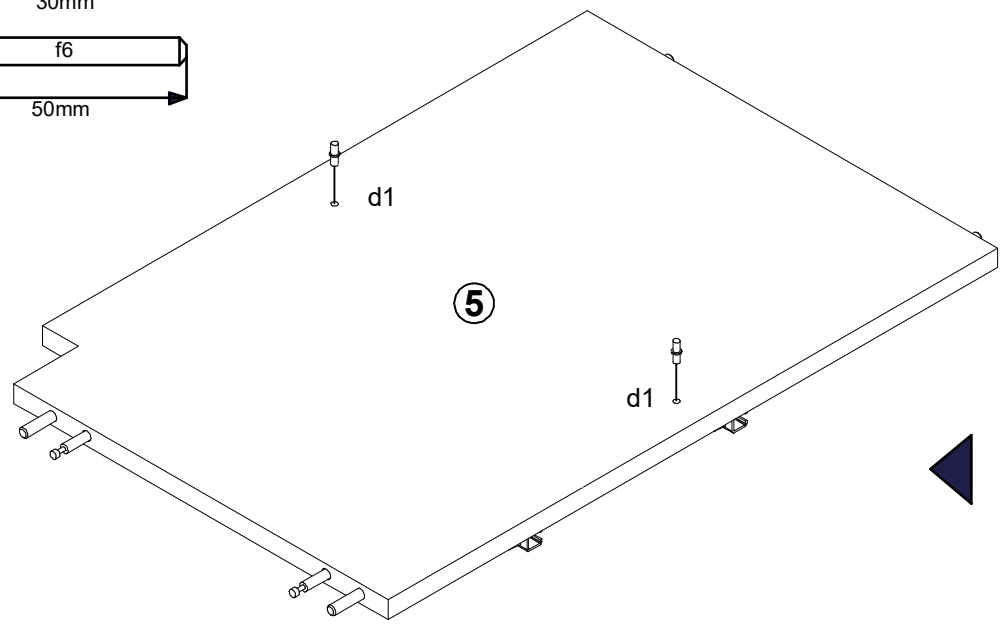
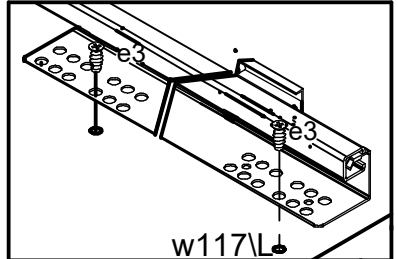
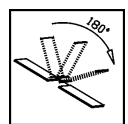
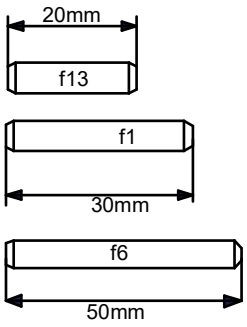
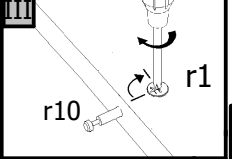
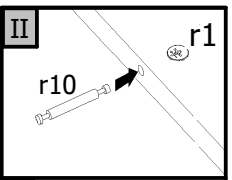
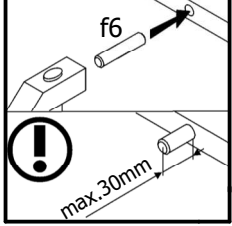
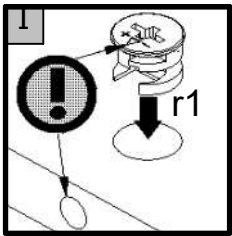
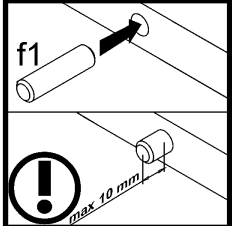
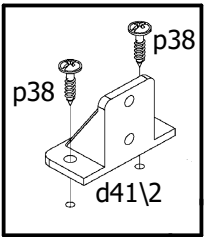
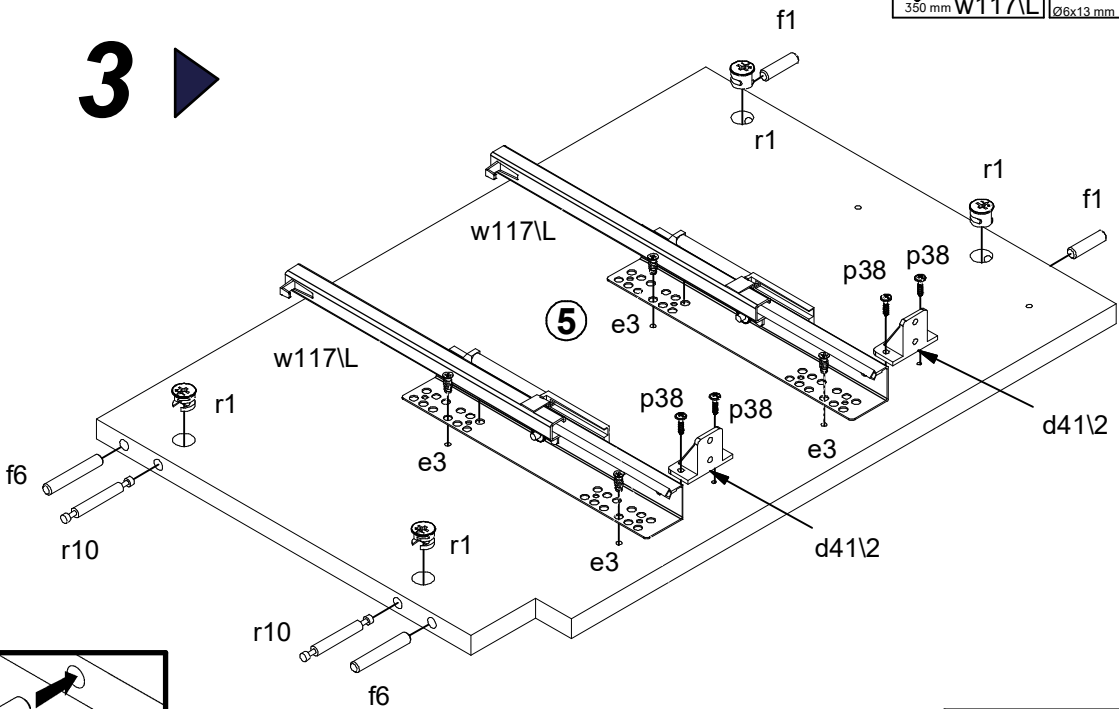


4

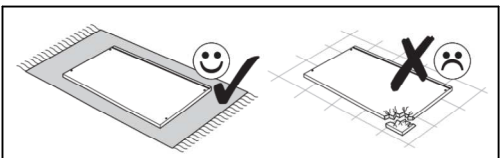
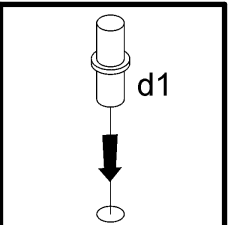


3

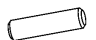

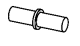
| | | | |
|----------------------|----------------------|----------------------|---------------------------|
| 2x Ø5x17 mm d1 | 2x Ø8x50 mm f6 | 2x d41\2 | 4x Ø3.5x16 mm p38 |
| 2x 350 mm W117/L | 4x Ø6x13 mm e3 | 2x Ø8x30 mm f1 | 4x Ø15x12 mm #16 r1 |
| | | 2x r10 | |

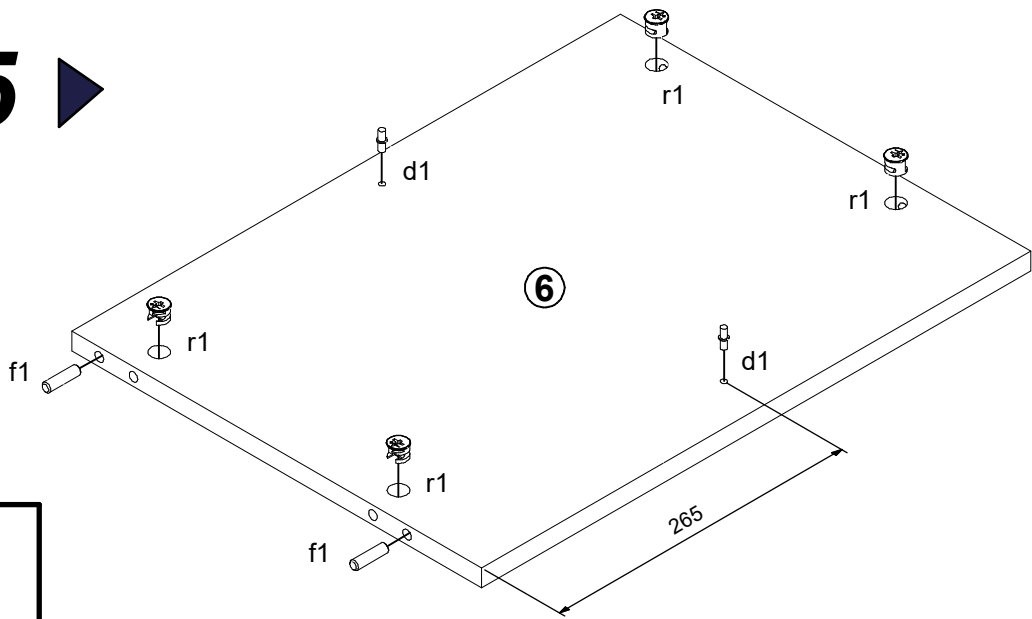


4

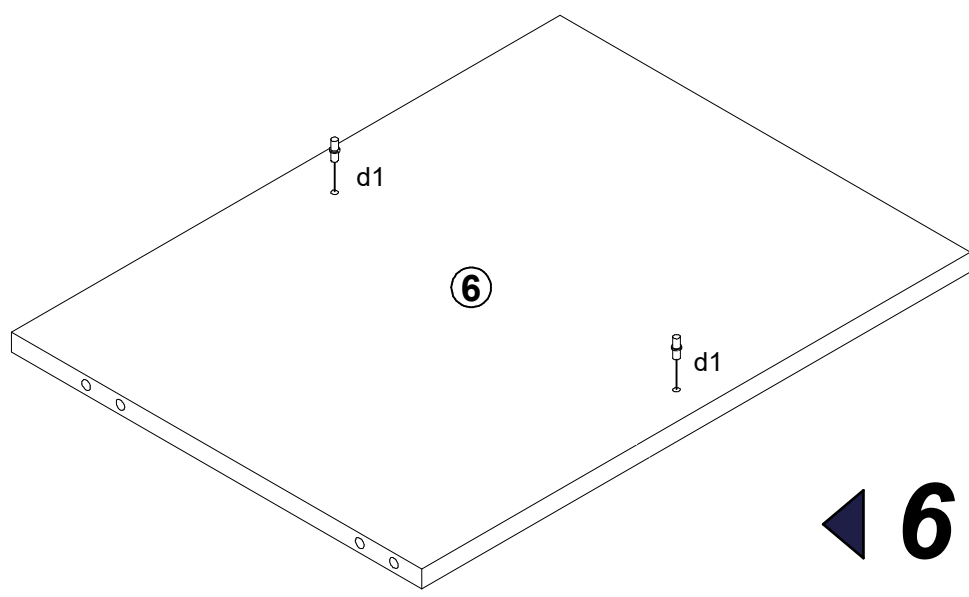
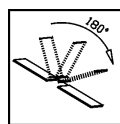
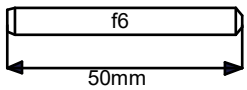
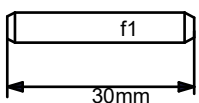
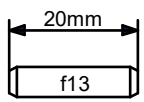
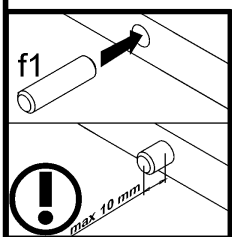
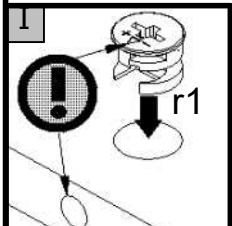
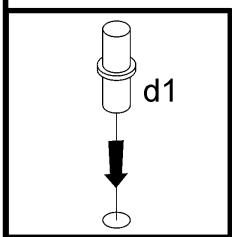


5 ▶

- 2x  f1
Ø8x30 mm
- 4x  r1
Ø15x12 mm #16
- 4x  d1
Ø5x17 mm

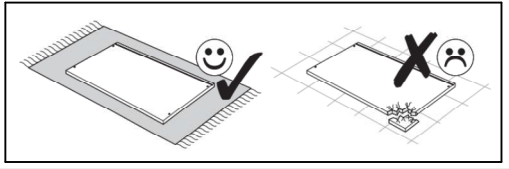


6



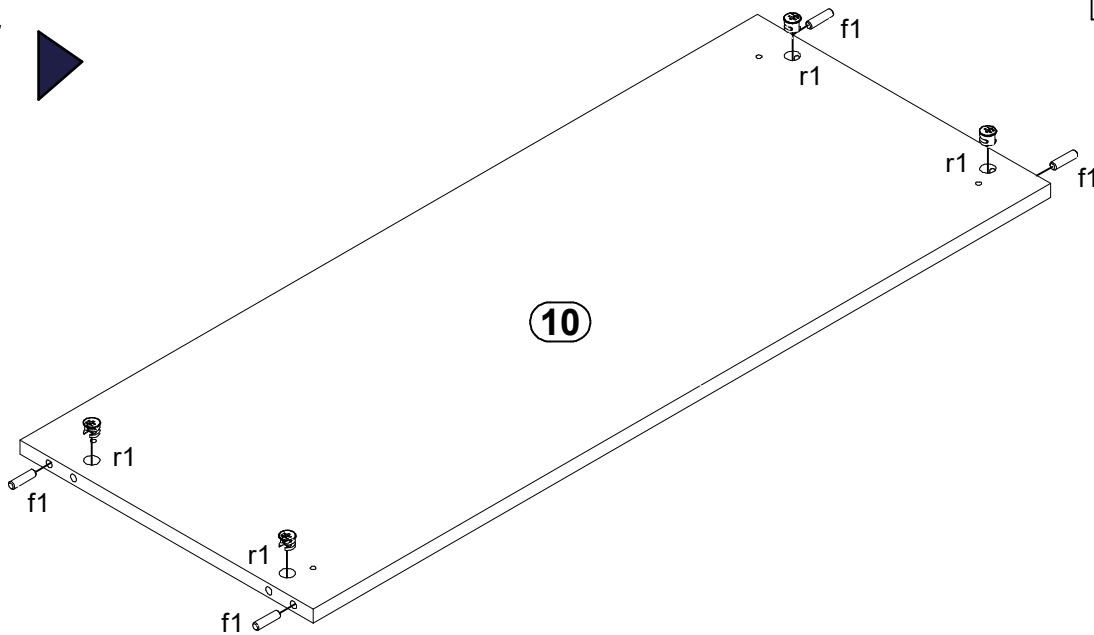
6

◀ 6

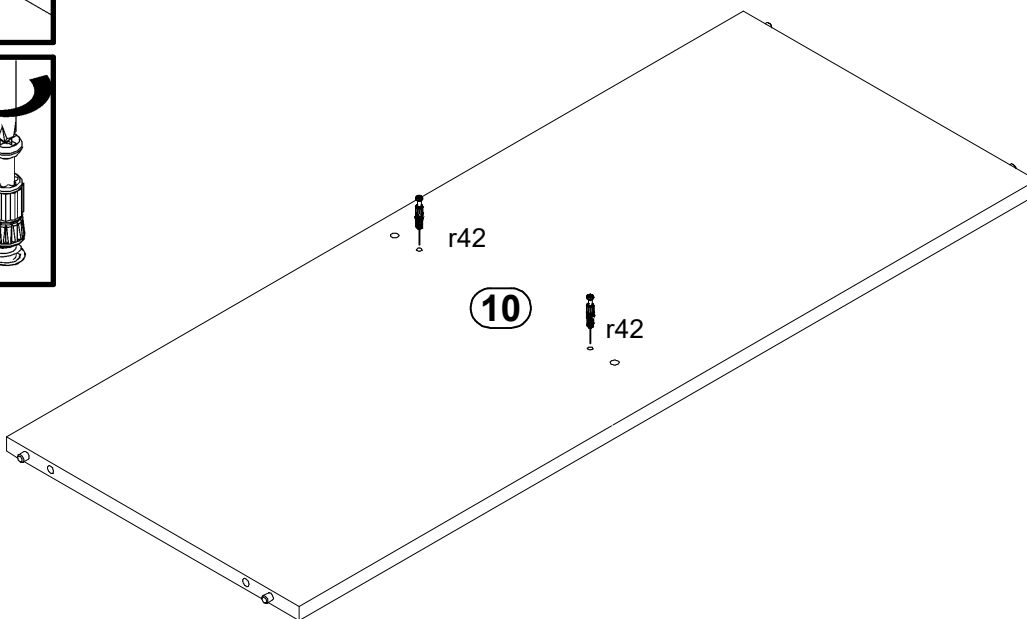
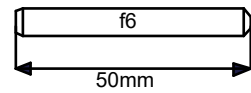
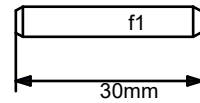
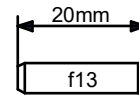
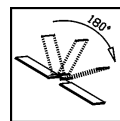
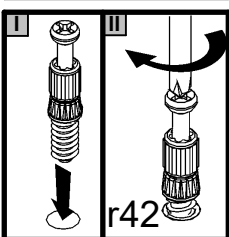
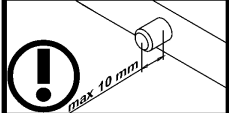
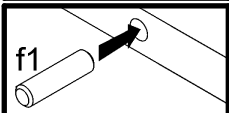
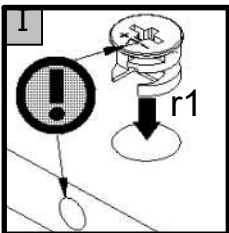


7 ▶

| | | | |
|----|------------------|----|-------------|
| 2x | | 4x | |
| | r42 | | Ø8x30 mm f1 |
| 4x | | | |
| | Ø15x12 mm #16 r1 | | r1 |

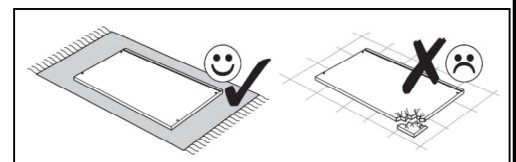


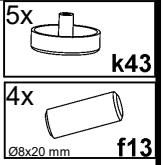
10



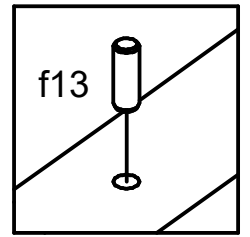
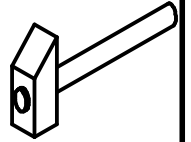
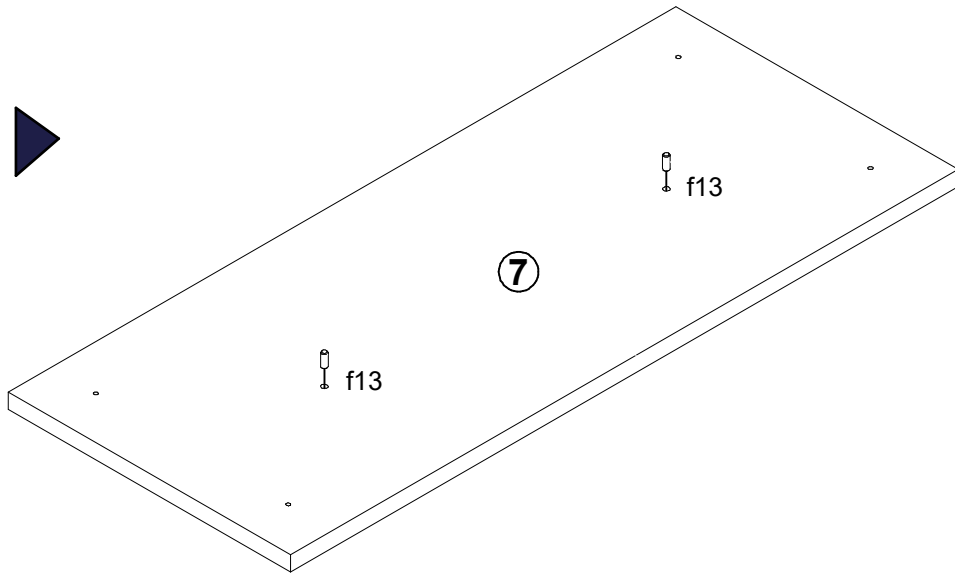
10

▶ 8

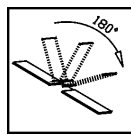
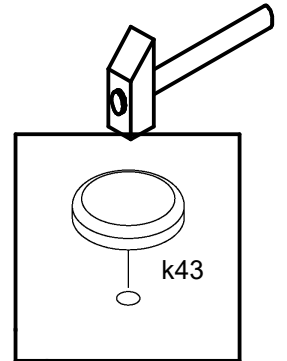
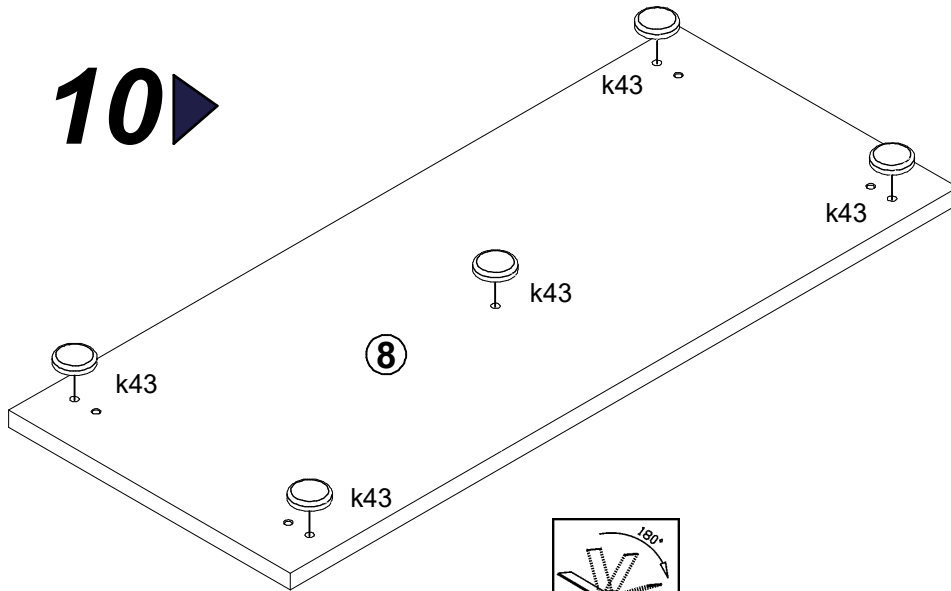




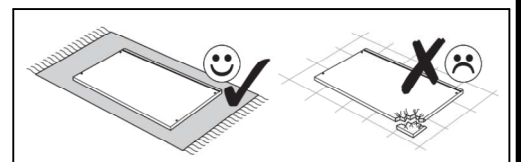
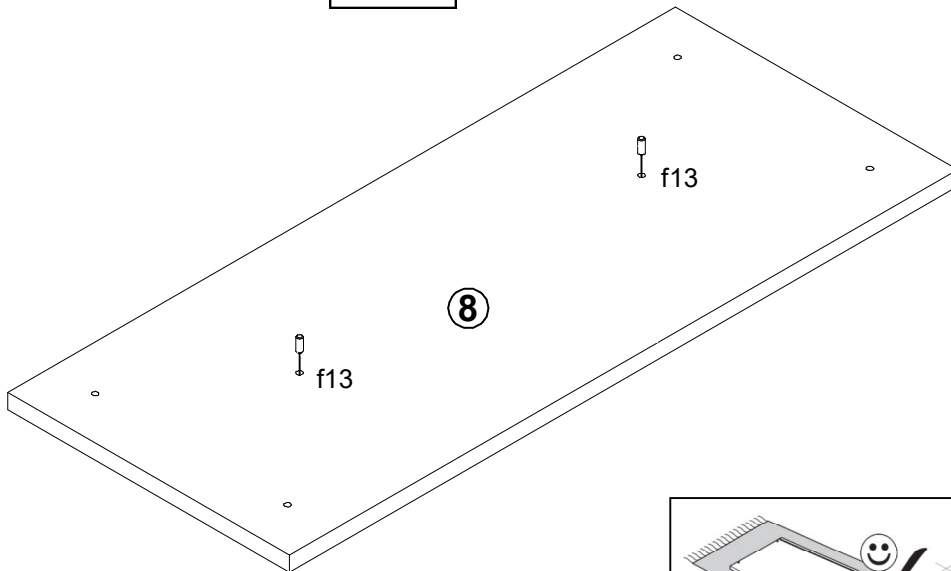
9 ▶




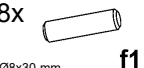
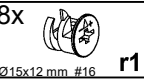
10 ▶

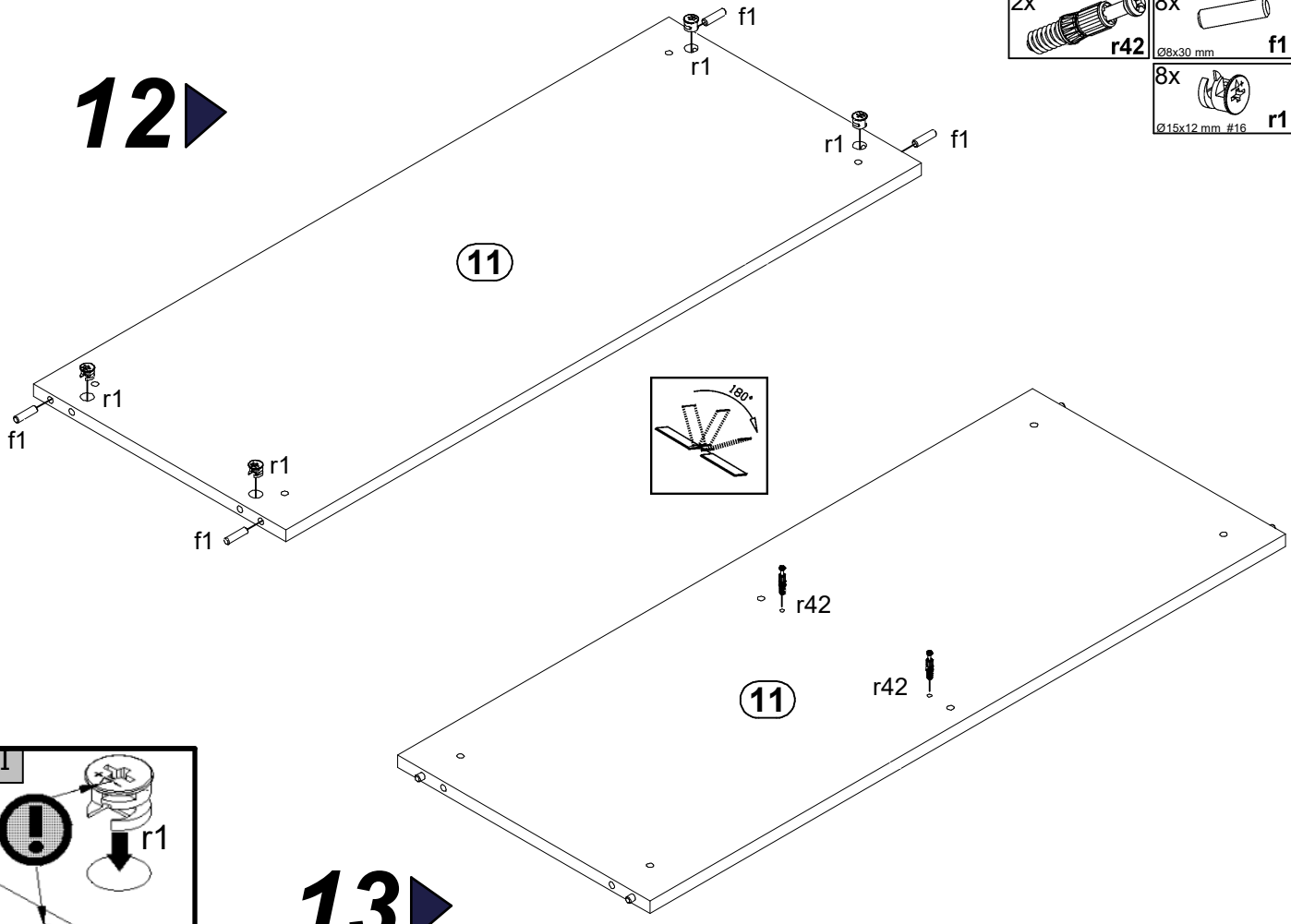


11 ▶


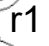
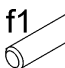

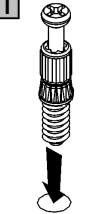


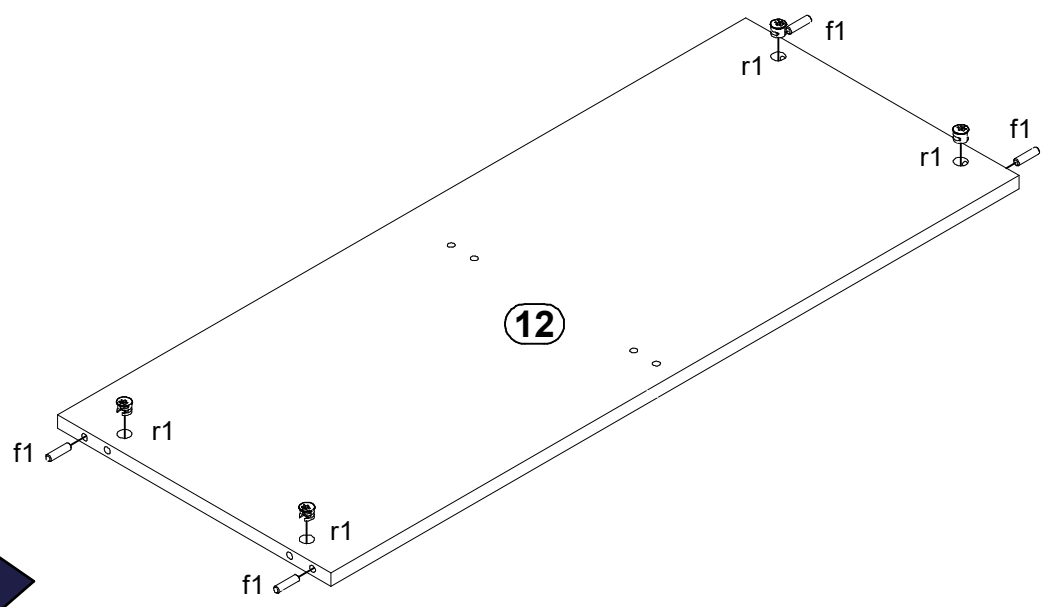
12 ▶

- 2x  r42
- 8x  f1
Ø8x30 mm
- 8x  r1
Ø15x12 mm #16

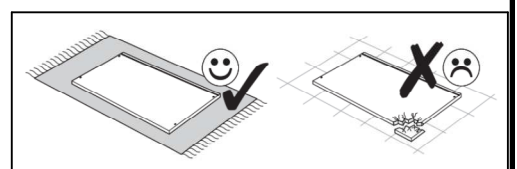


13 ▶

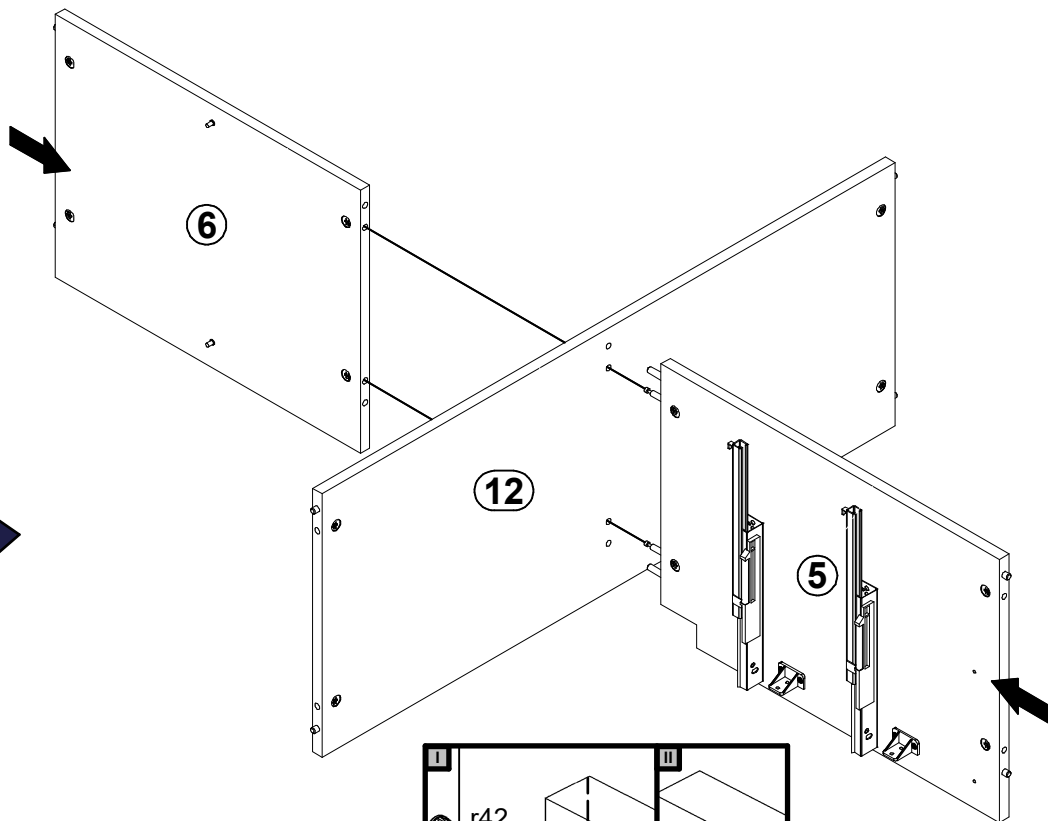
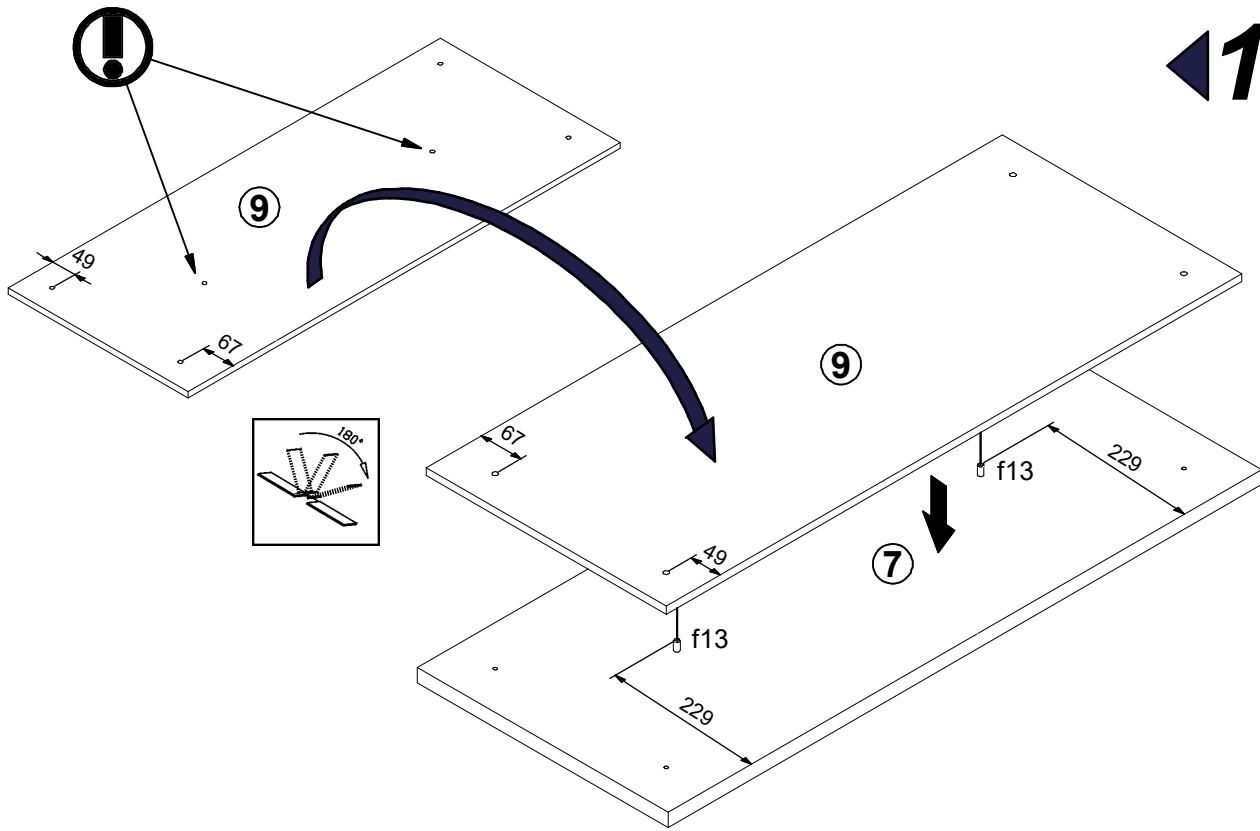
-   r1
-  f1
-  max 10 mm
-  r42



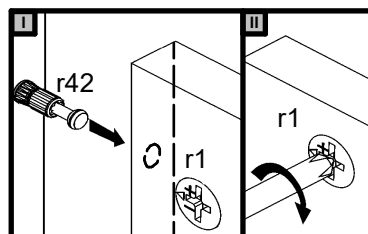
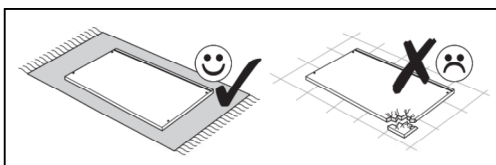
14 ▶



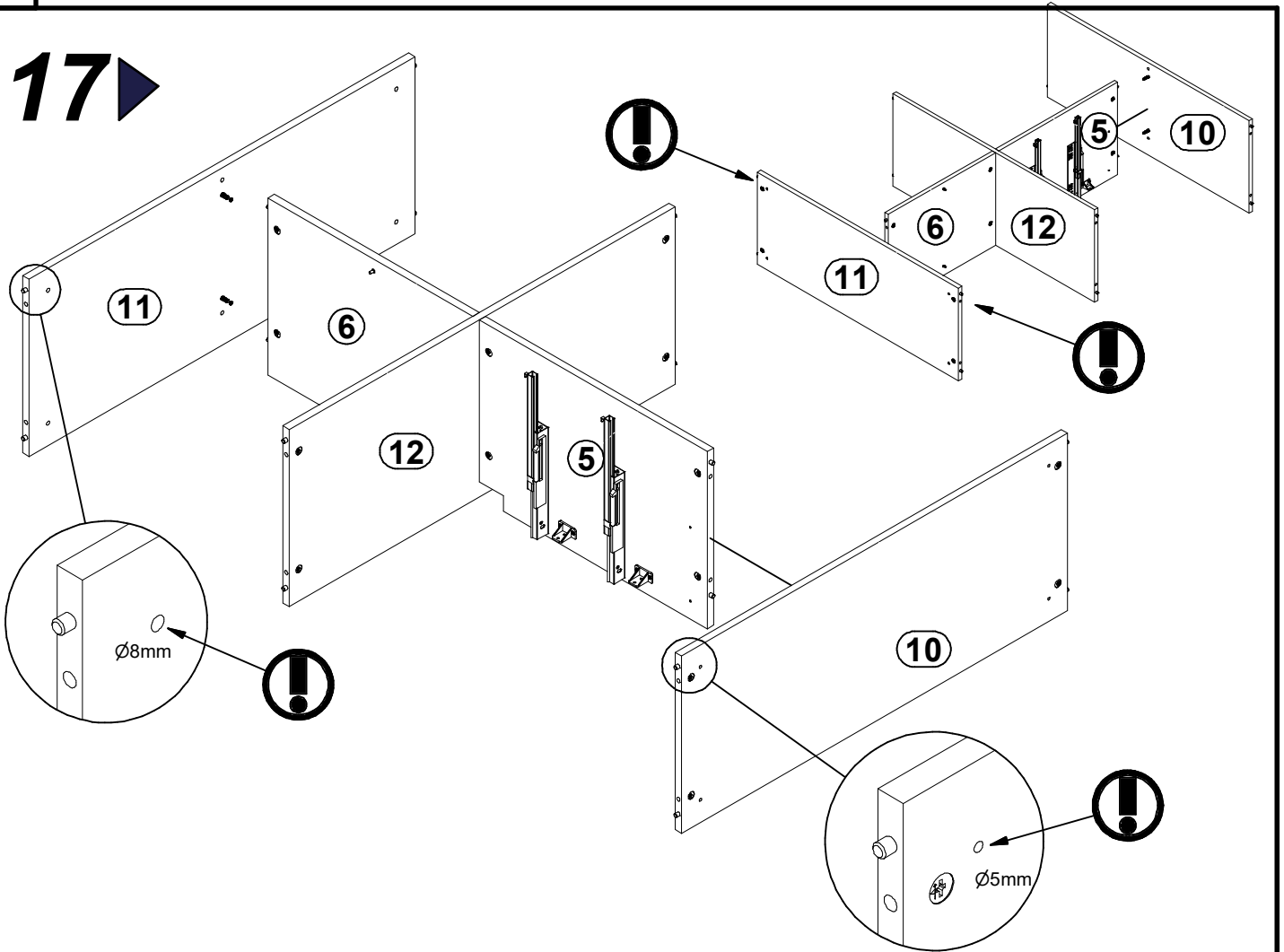
15



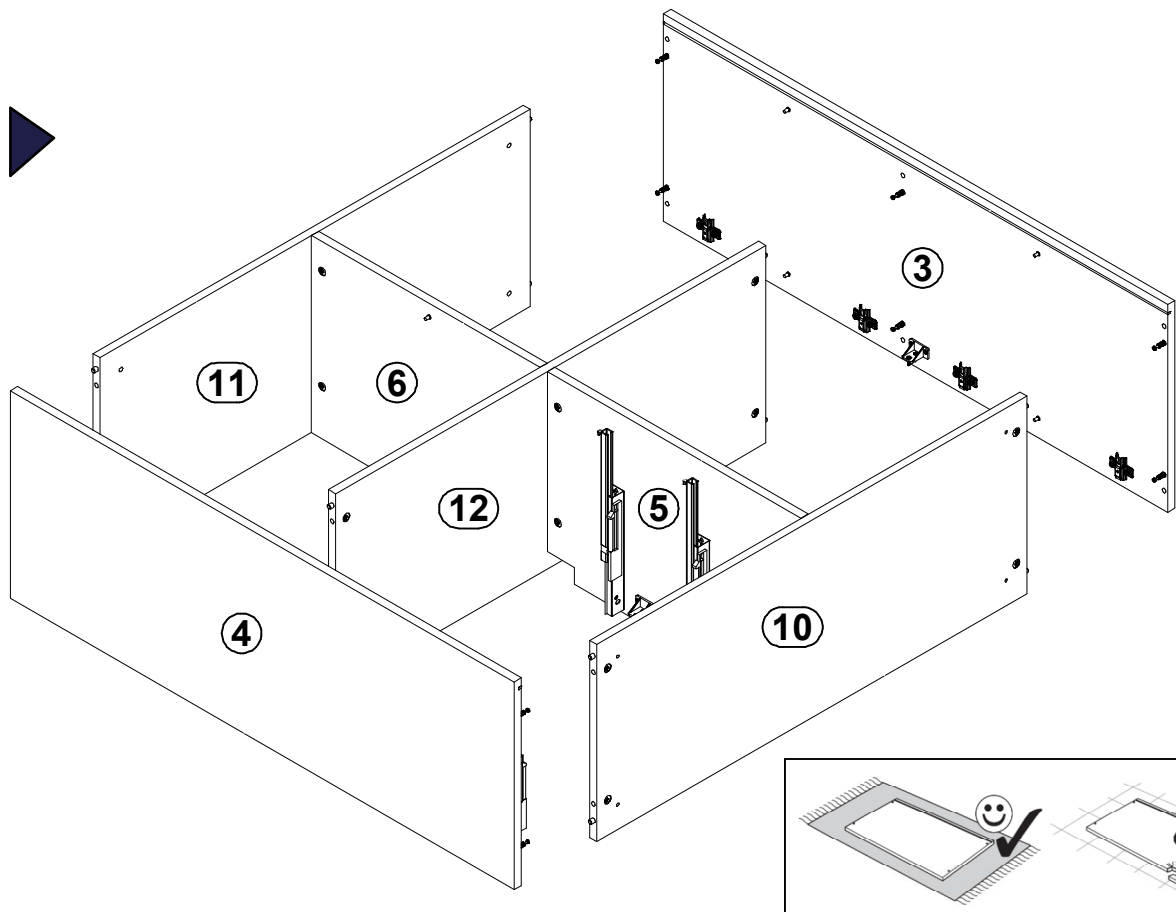
16



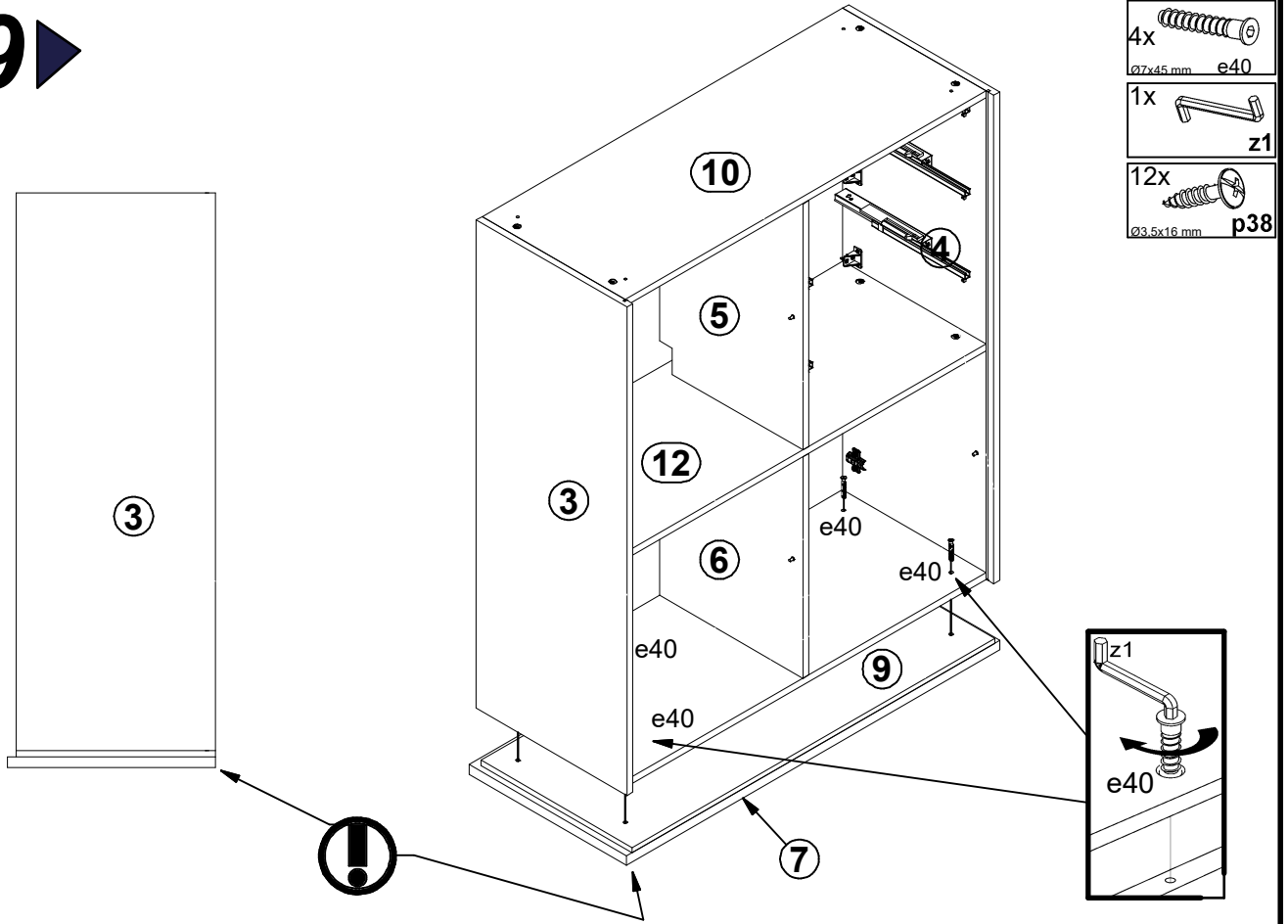
17▶



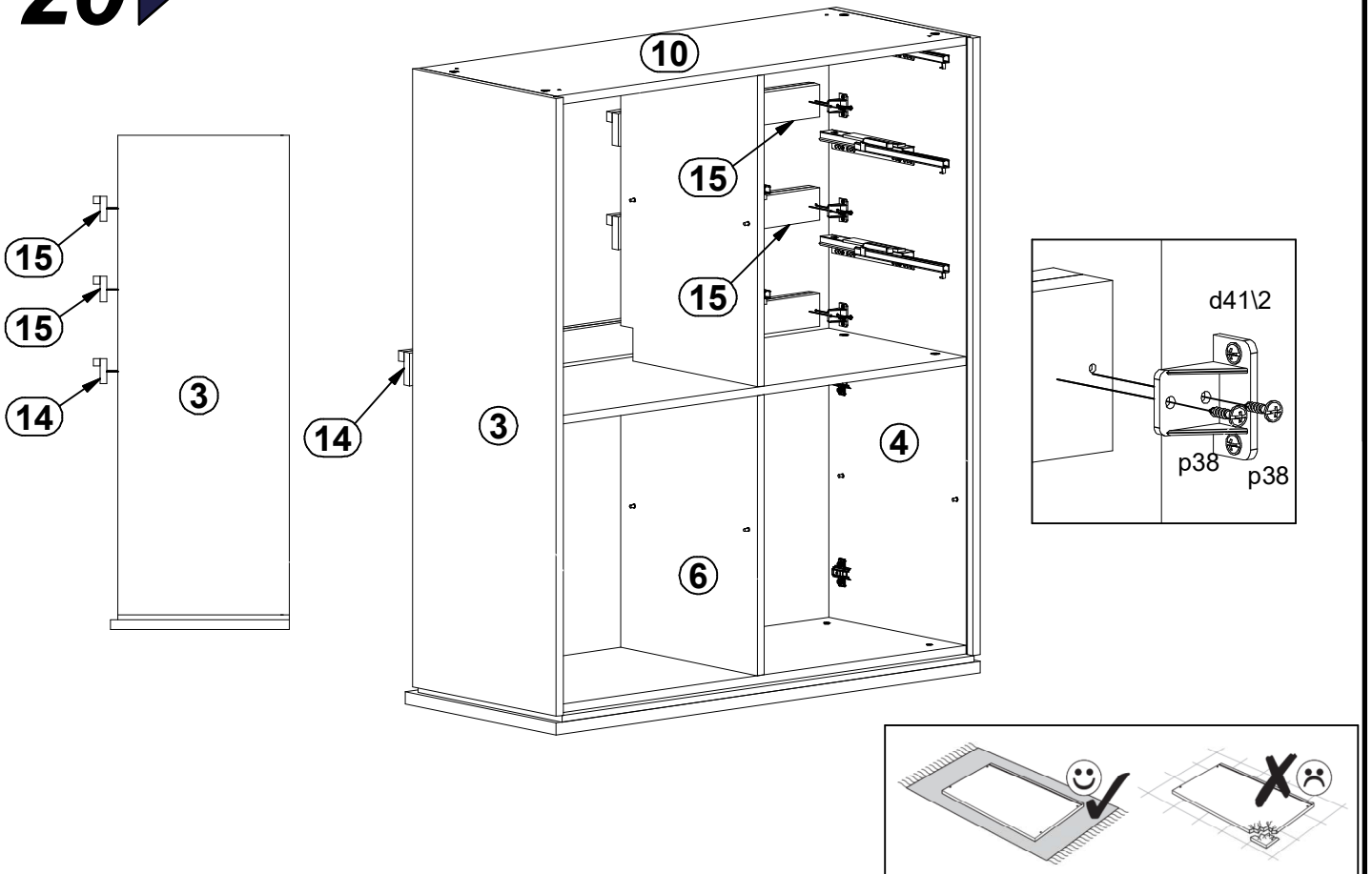
18▶

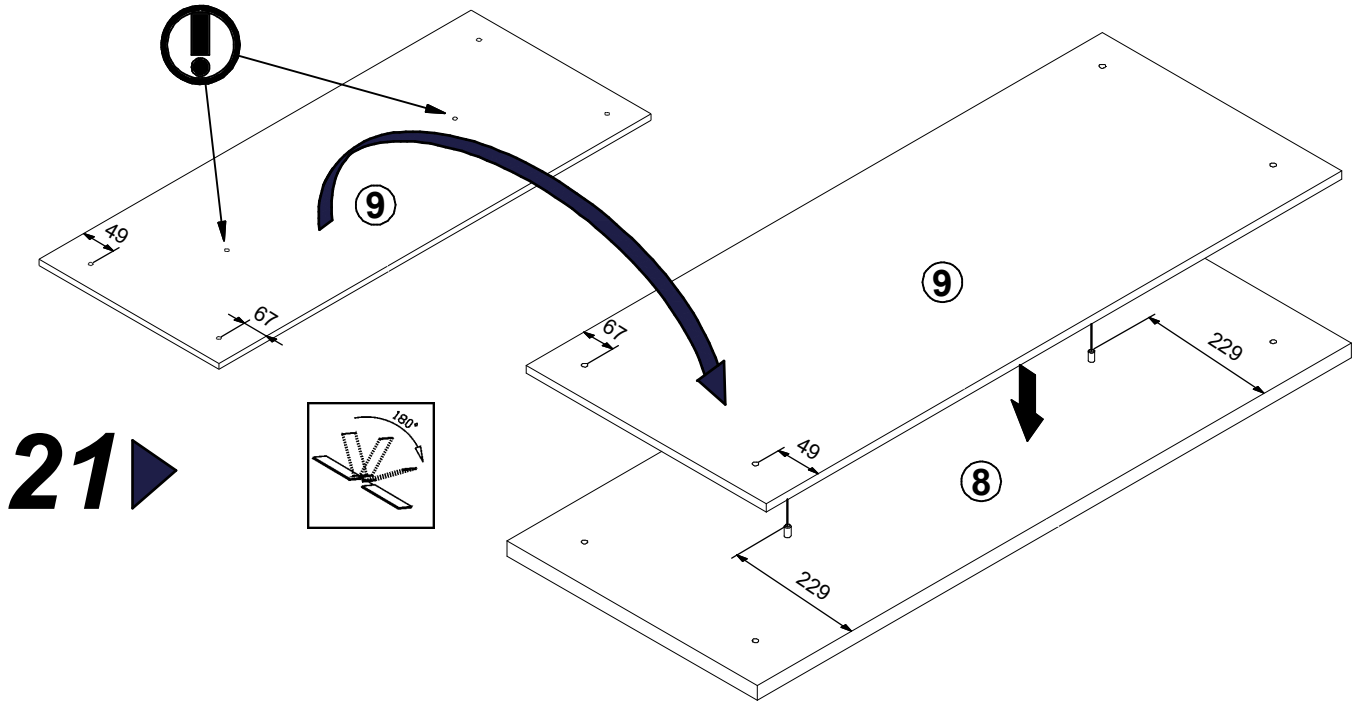


19 ▶

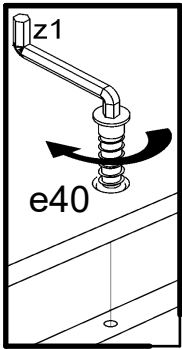
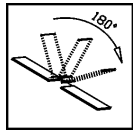


20 ▶

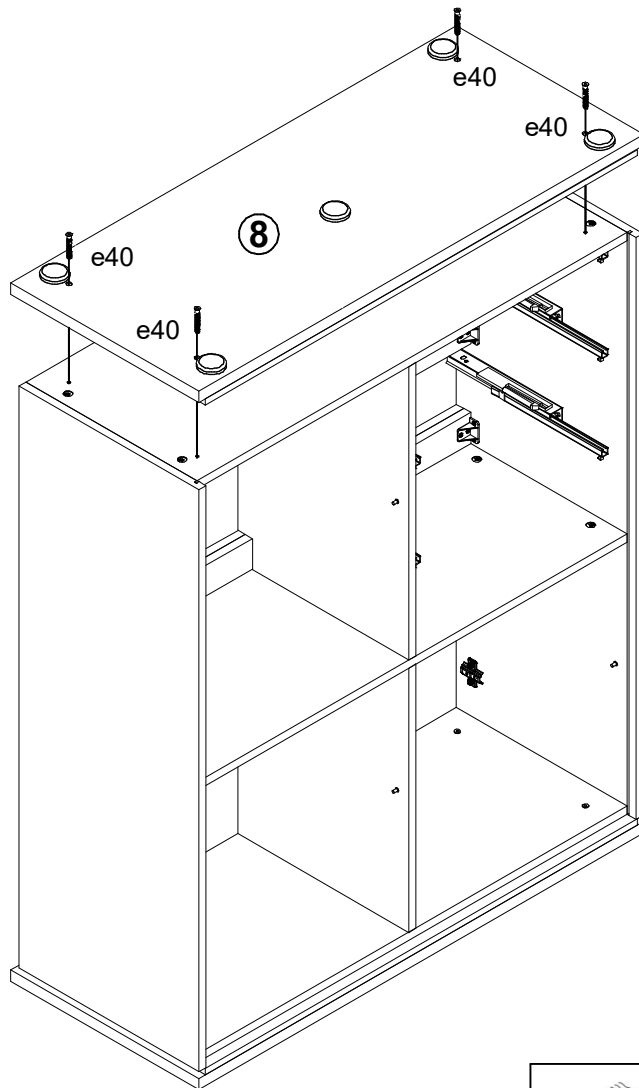




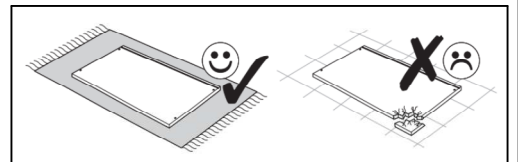
21 ▶



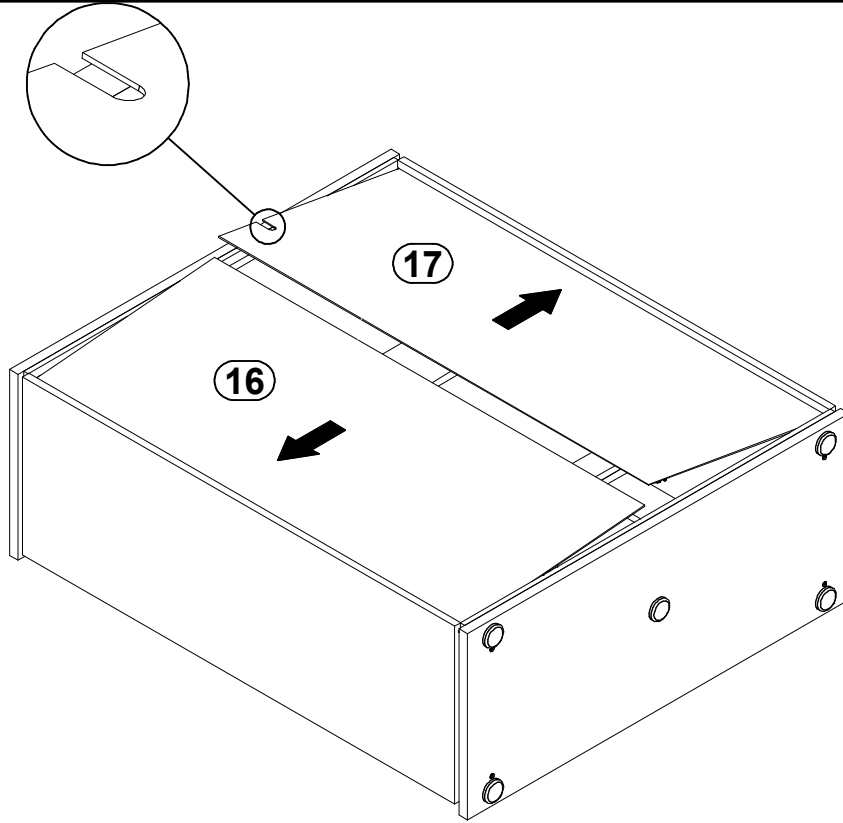
22 ▶

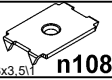

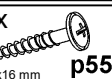


- 4x 07x45 mm e40
- 1x z1

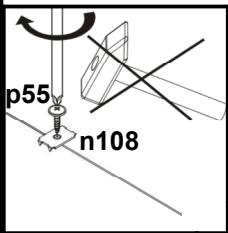
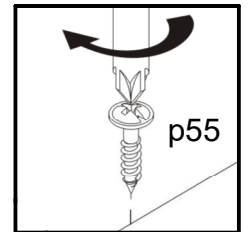
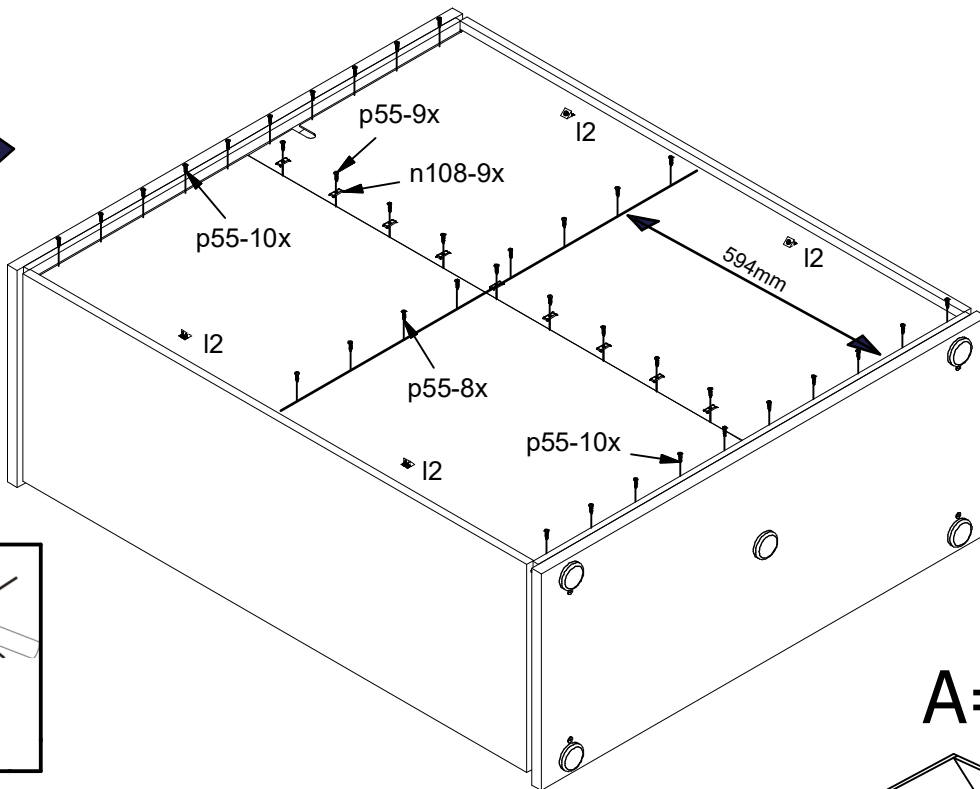


23 ▶

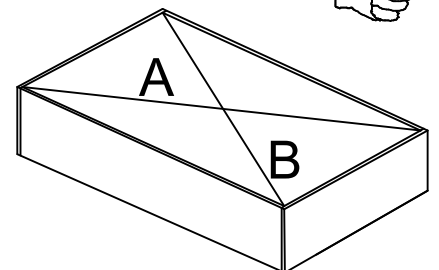
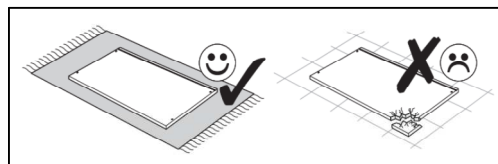
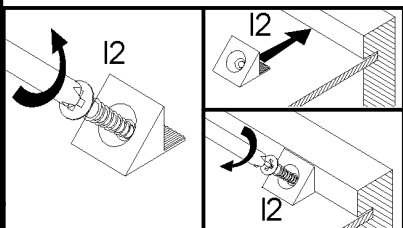


- 9x  n108
20x13x3.5T
- 4x  I2
- 37x  p55
Ø2.9x16 mm

24 ▶

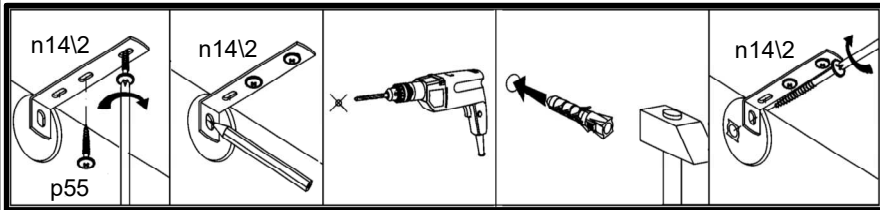



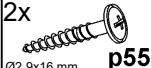
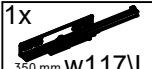
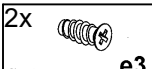
A=B



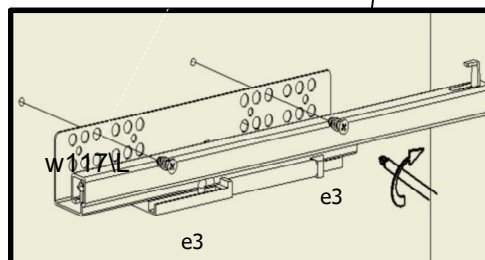
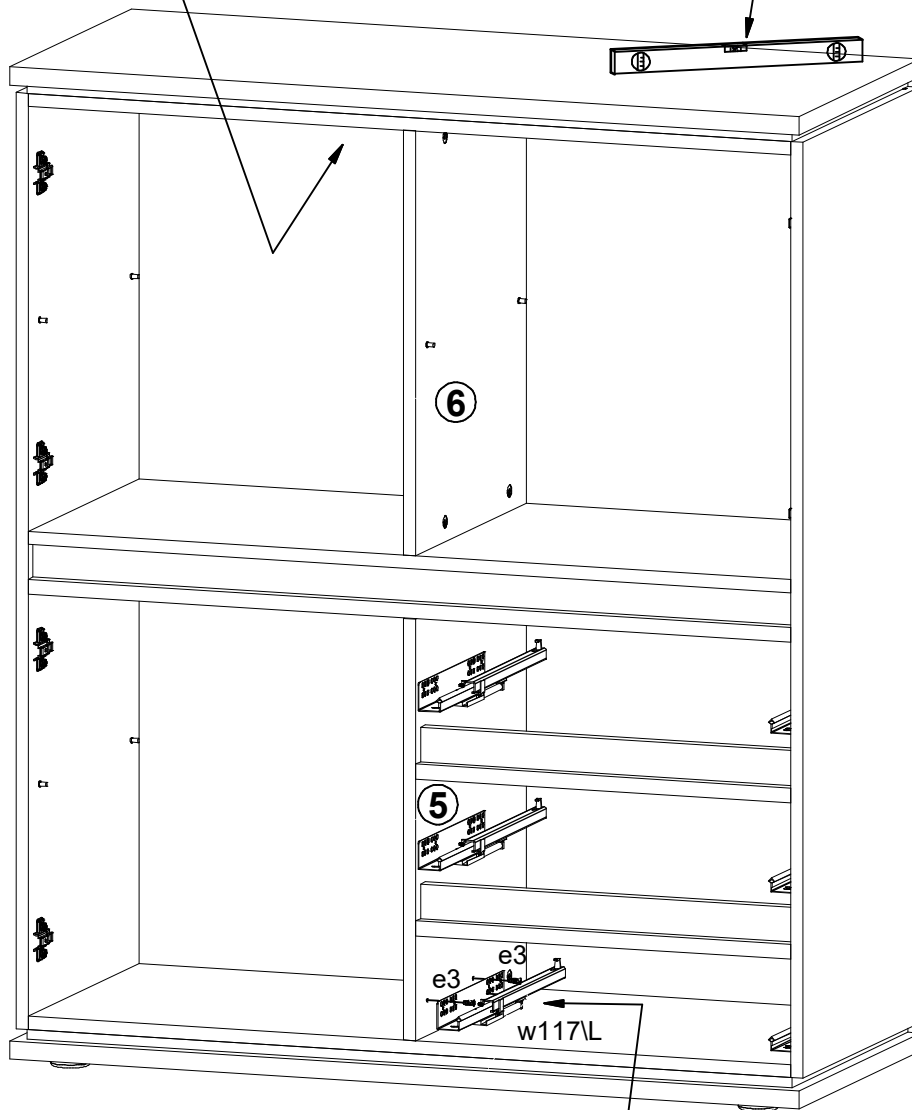
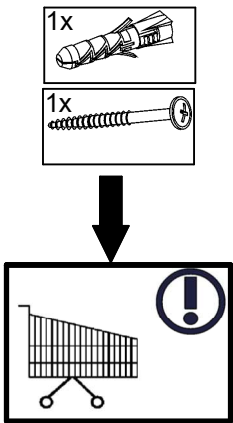
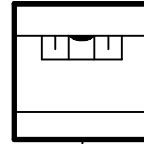
A

S703-KOM3D3S



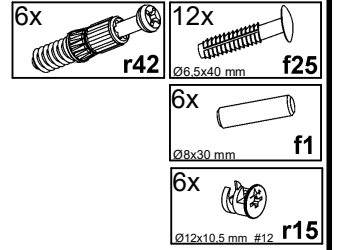
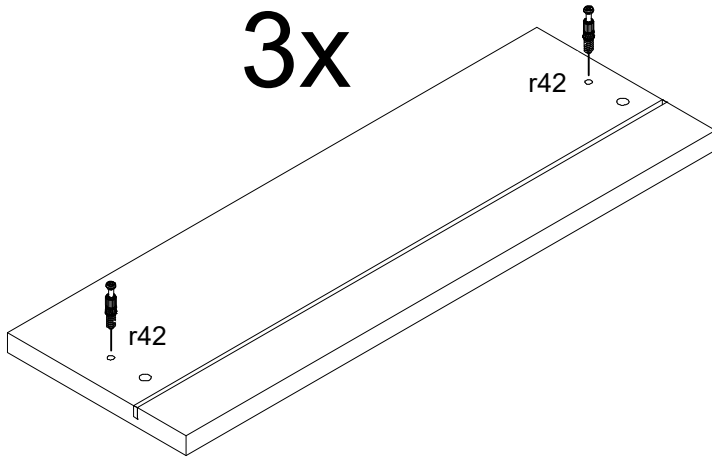
- 1x  **n14/2**
88x21x15/1.5
- 2x  **p55**
Ø2.9x16 mm
- 1x  **w117/L**
350 mm
- 2x  **e3**
Ø6x13 mm

25 ▶



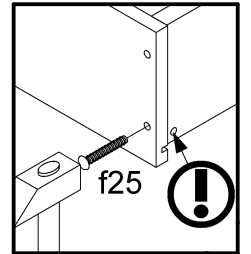
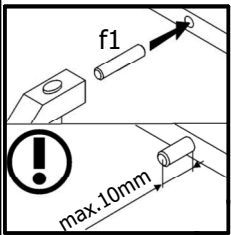
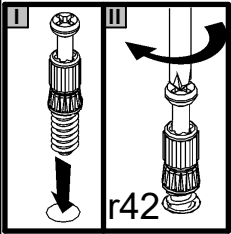
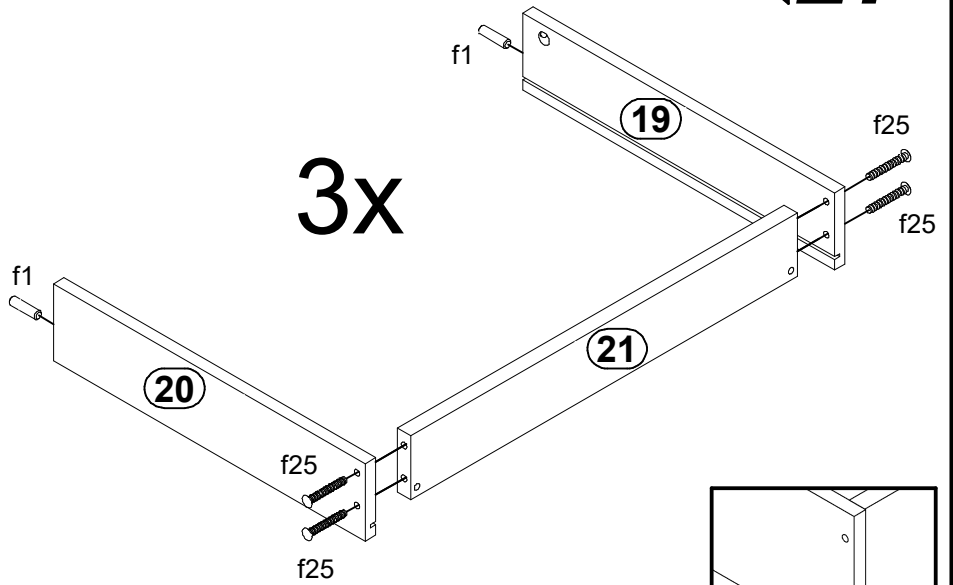
26 ▶

3x



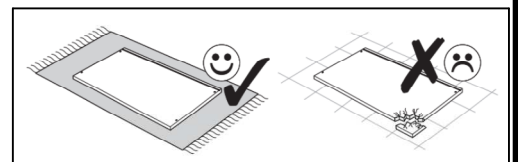
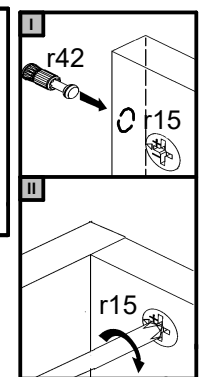
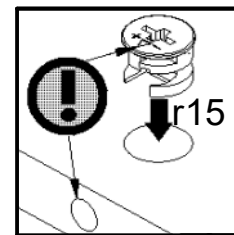
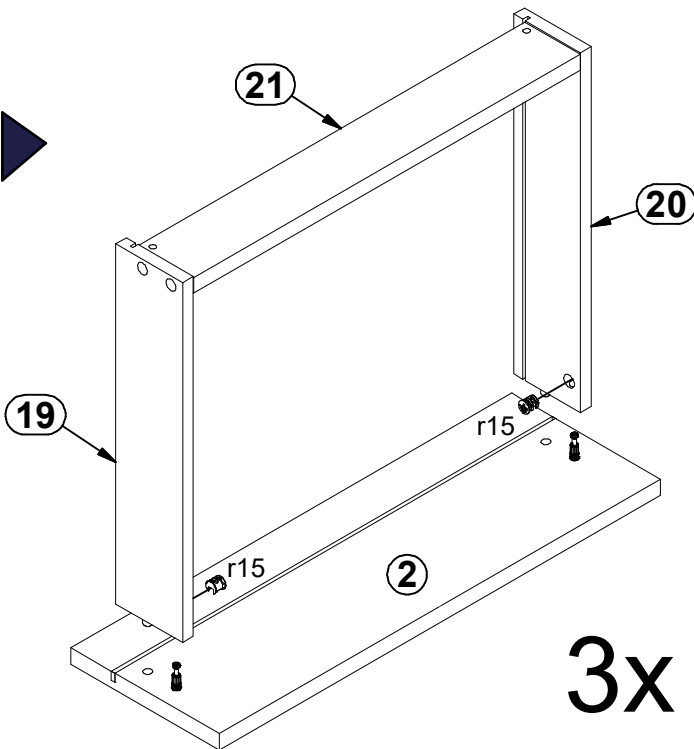
◀ 27

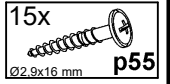
3x



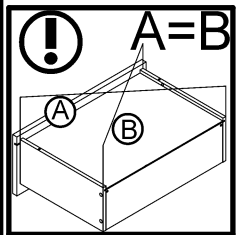
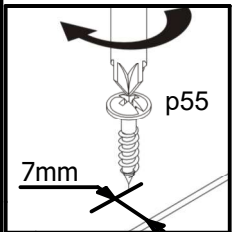
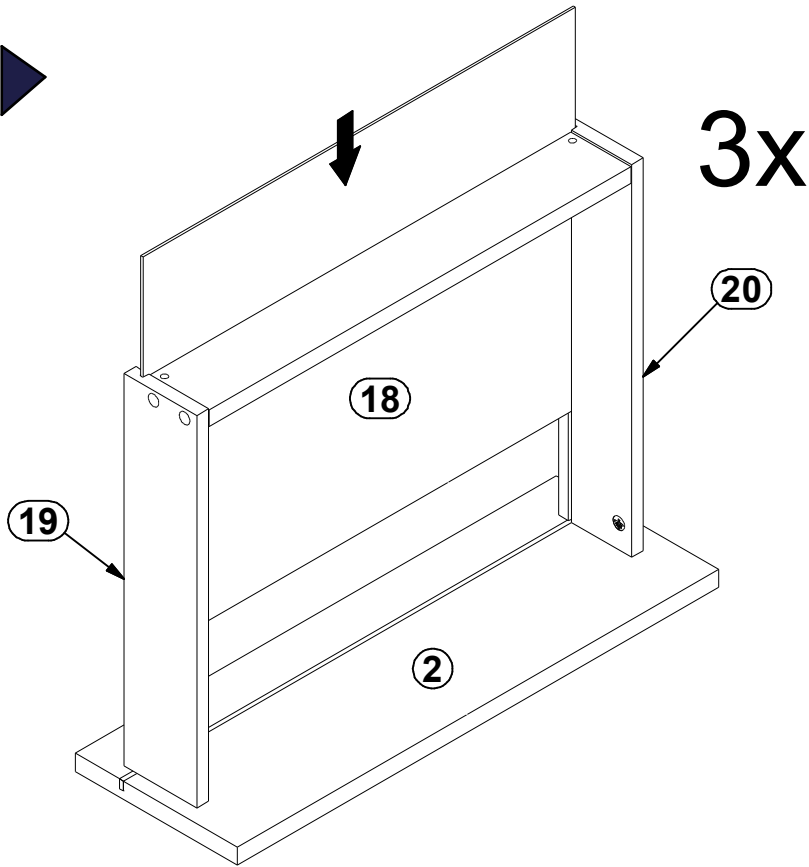
28 ▶

3x

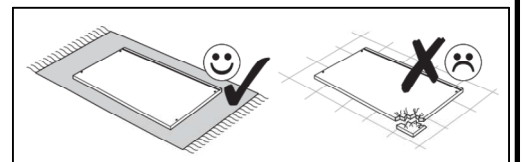
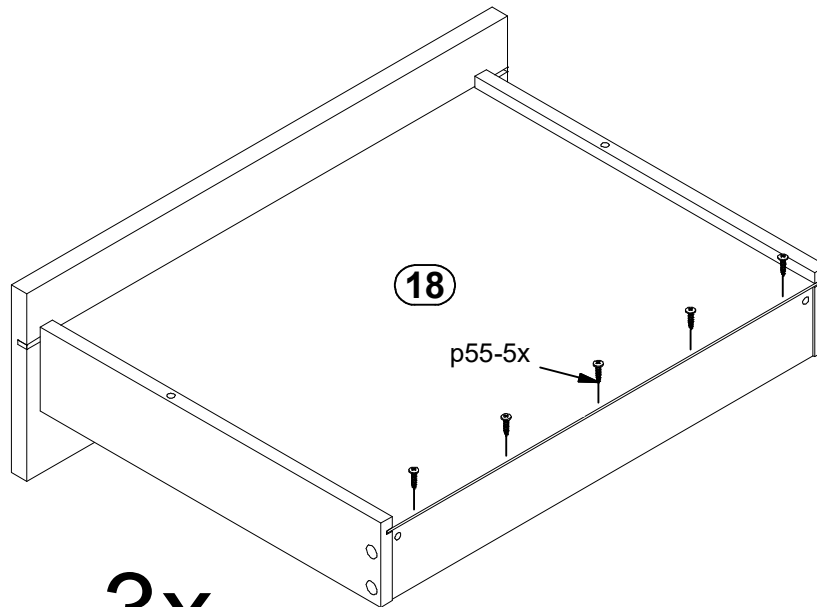




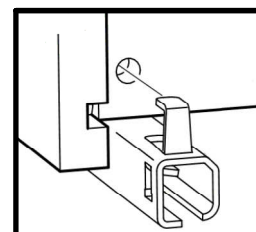
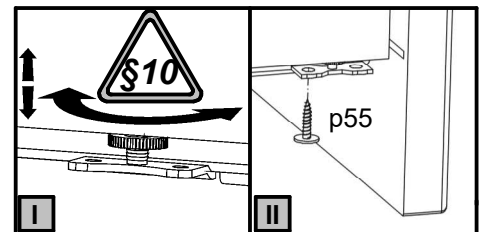
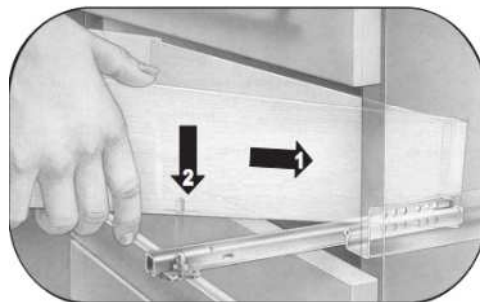
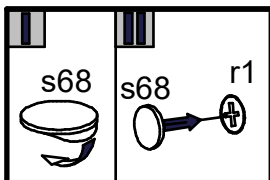
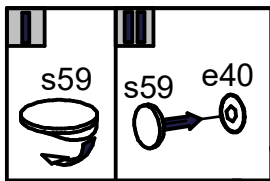
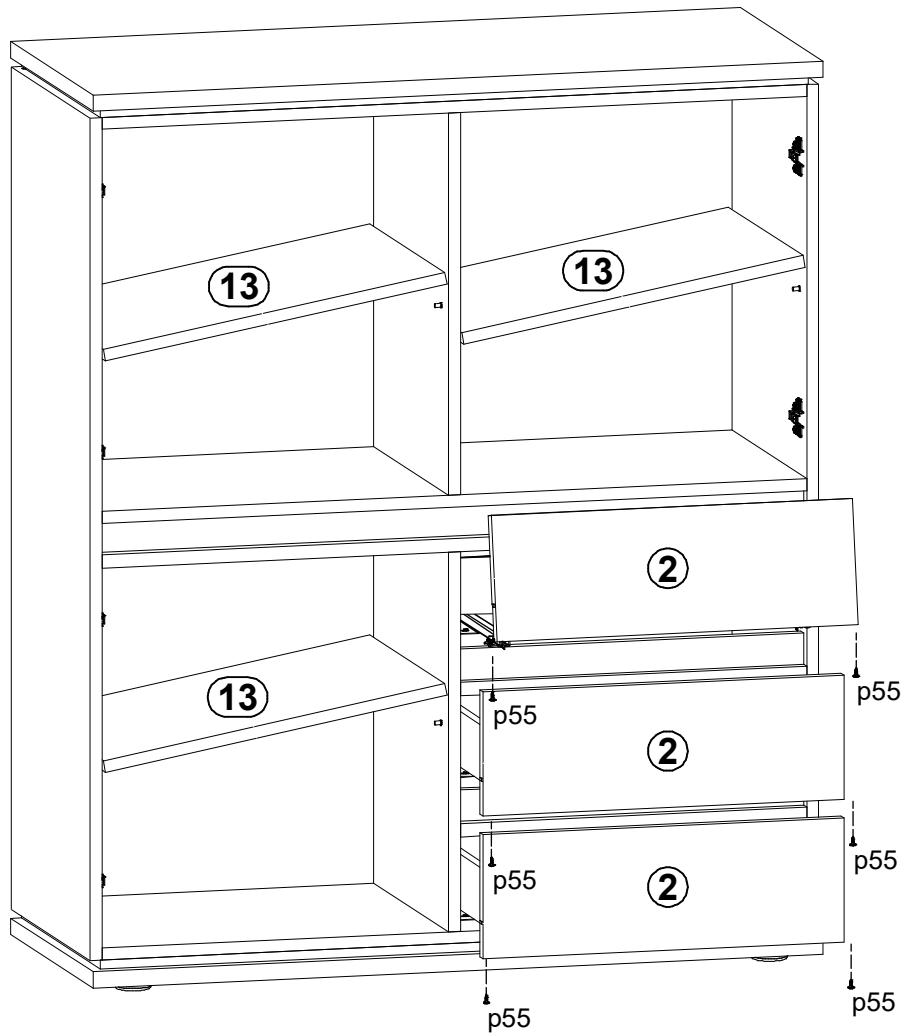
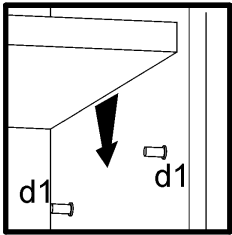
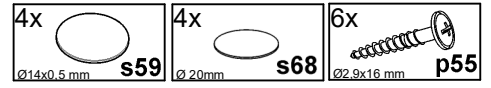
29 ▶



◀ 30

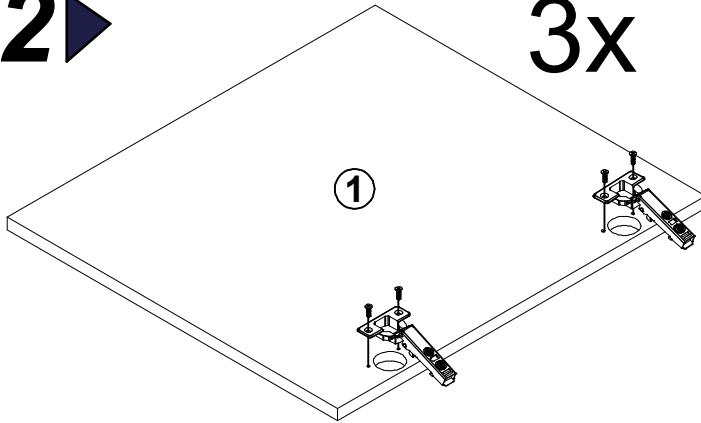


31 ▶

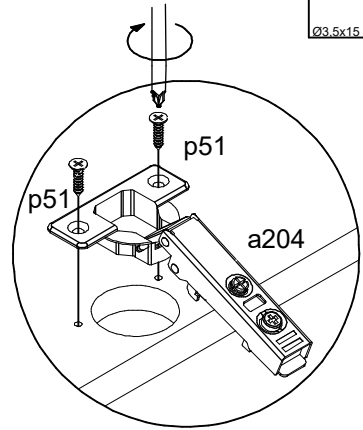


32 ▶

3x



- 6x a204
- 12x p51
- Ø3.5x15 mm



33 ▶

