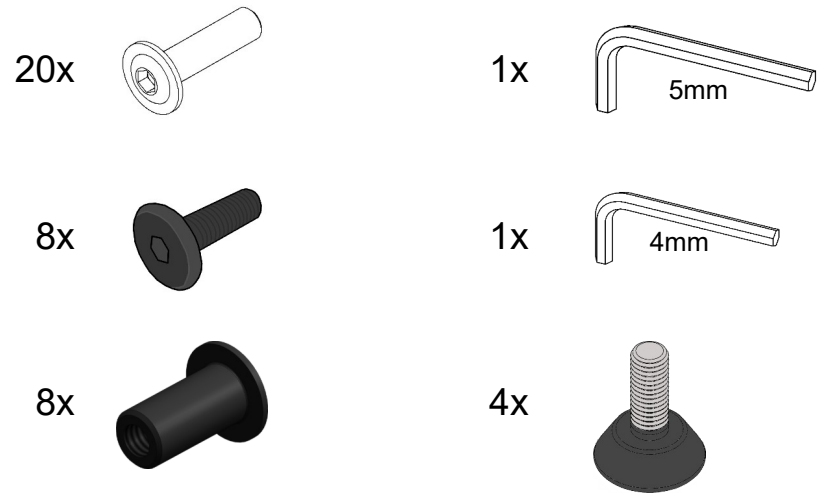
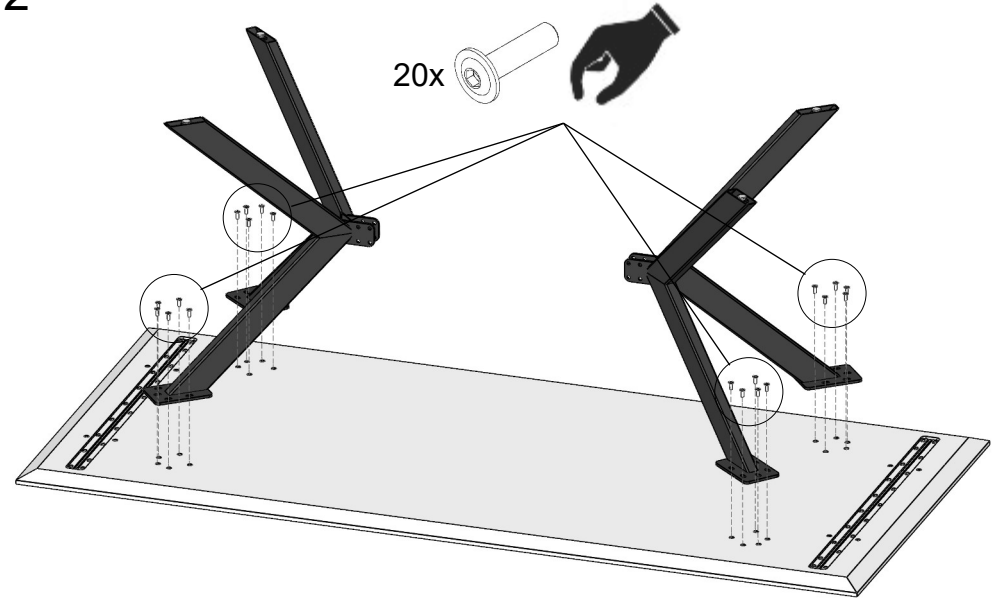


Boomerang | Assembly instruction

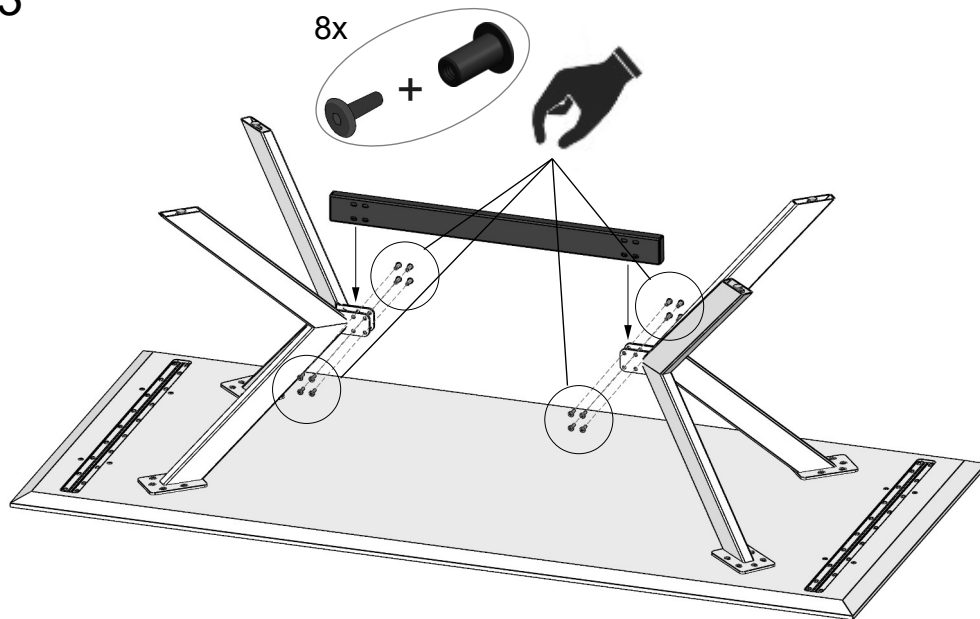
1



2



3



4

