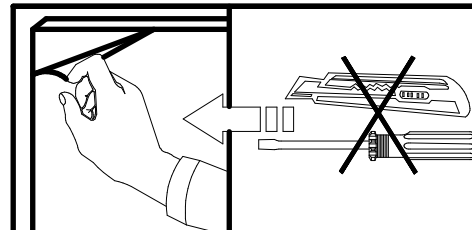
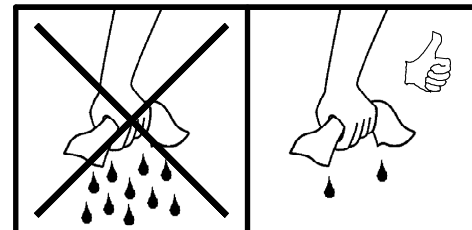
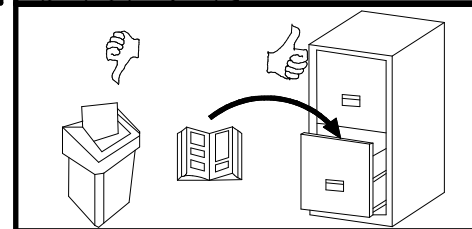
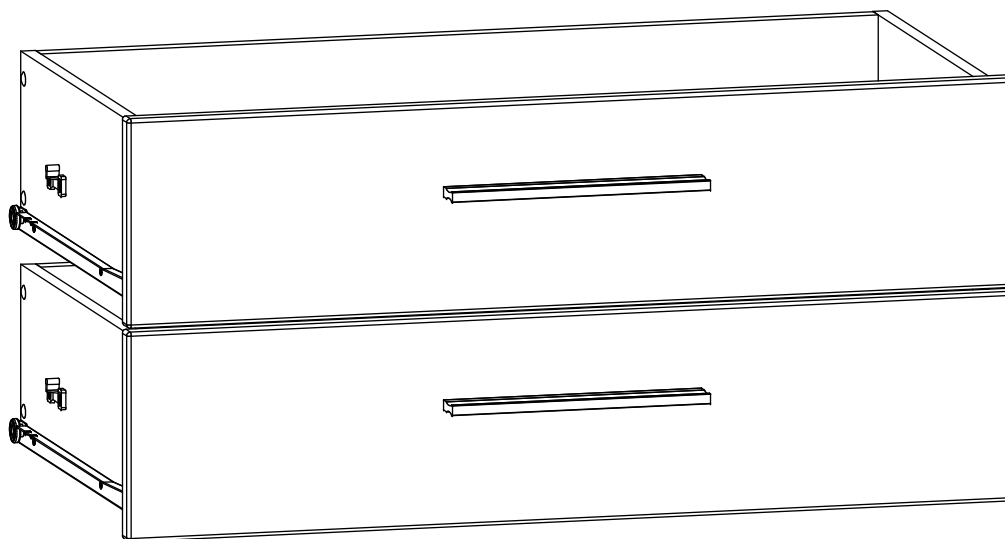
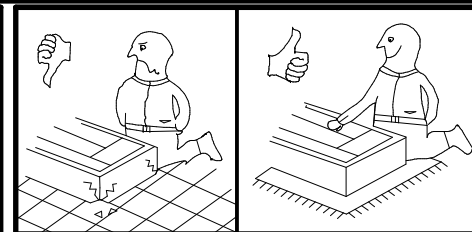
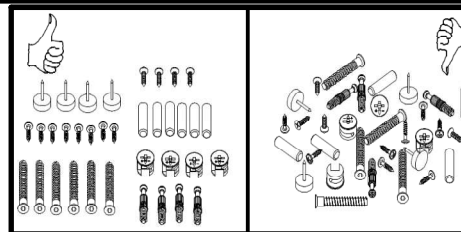
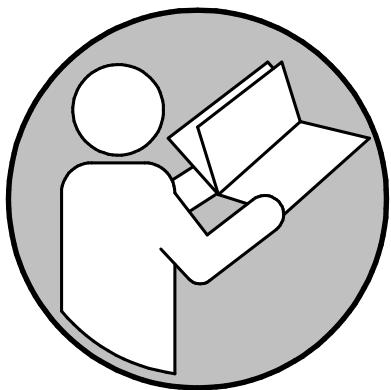
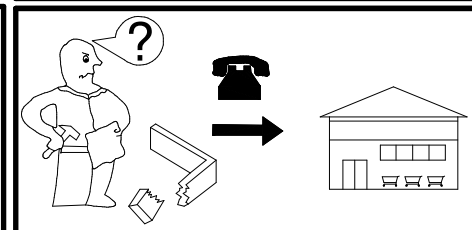
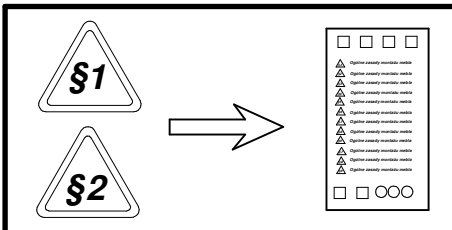
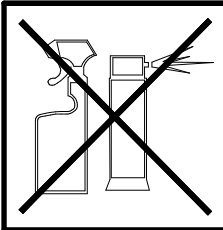
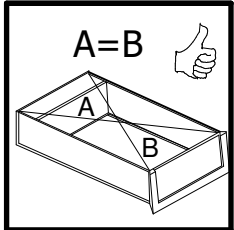
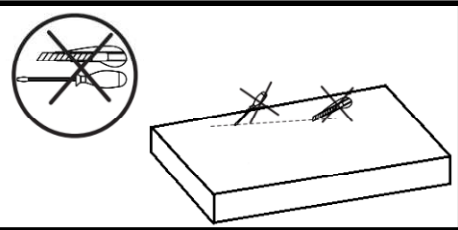
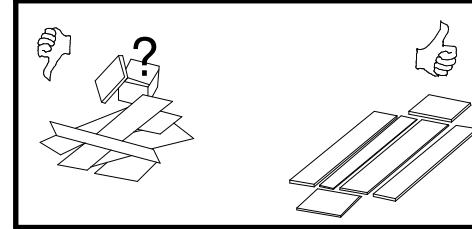
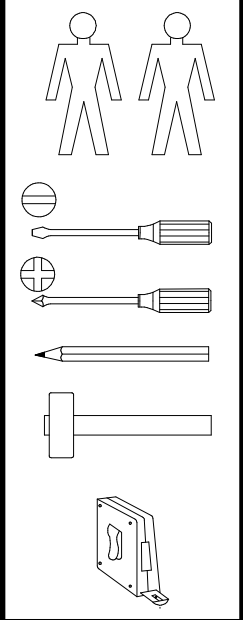


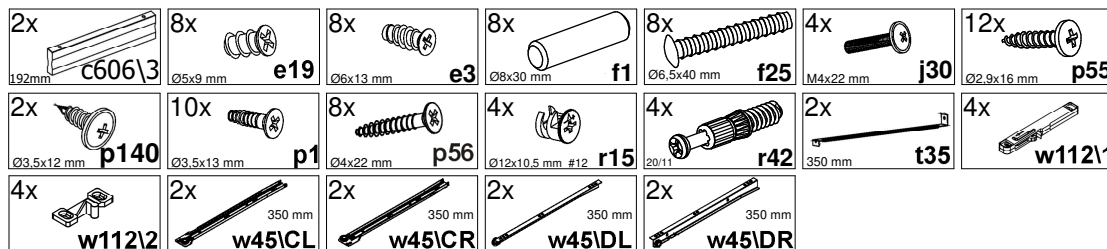
A**S643-SZU/80/35/A****CONNECT**

24270215/15
24270215/16

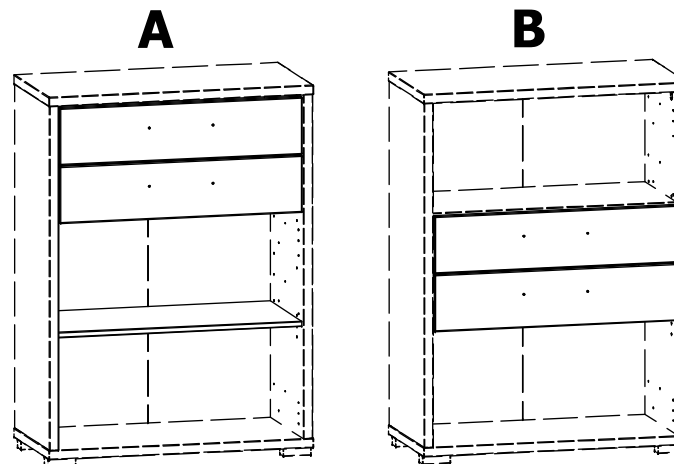




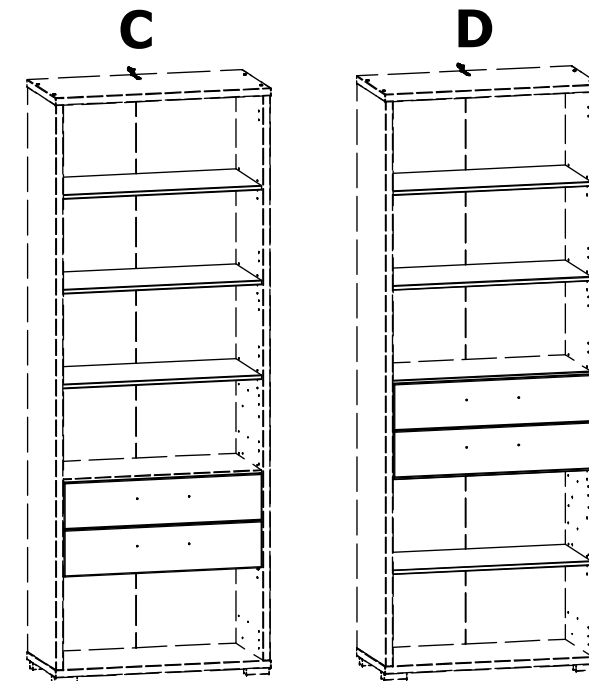
45 min



A	B1	B2	C1	C2	C3	D
1	S643-0001	-	731	169	16	1/1
2	S643-5007	-	350	140	12	1/1
3	S643-5009	-	350	140	12	1/1
4	STR-5050	-	688	140	15	1/1
5	WDF-9105	-	710	358	2,5	1/1

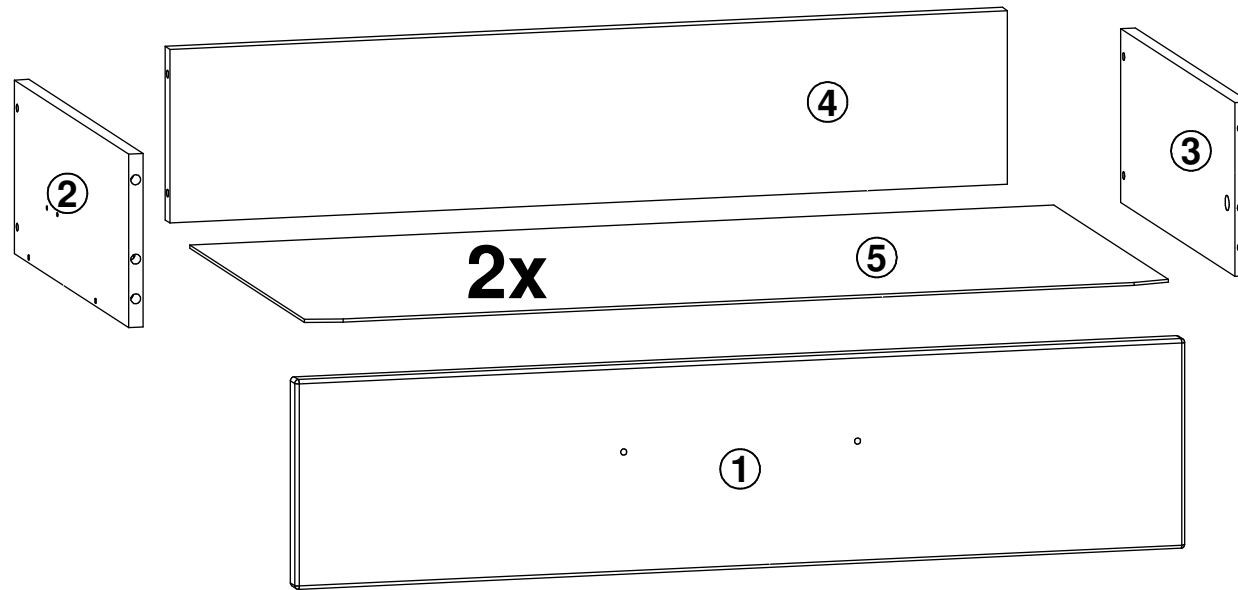


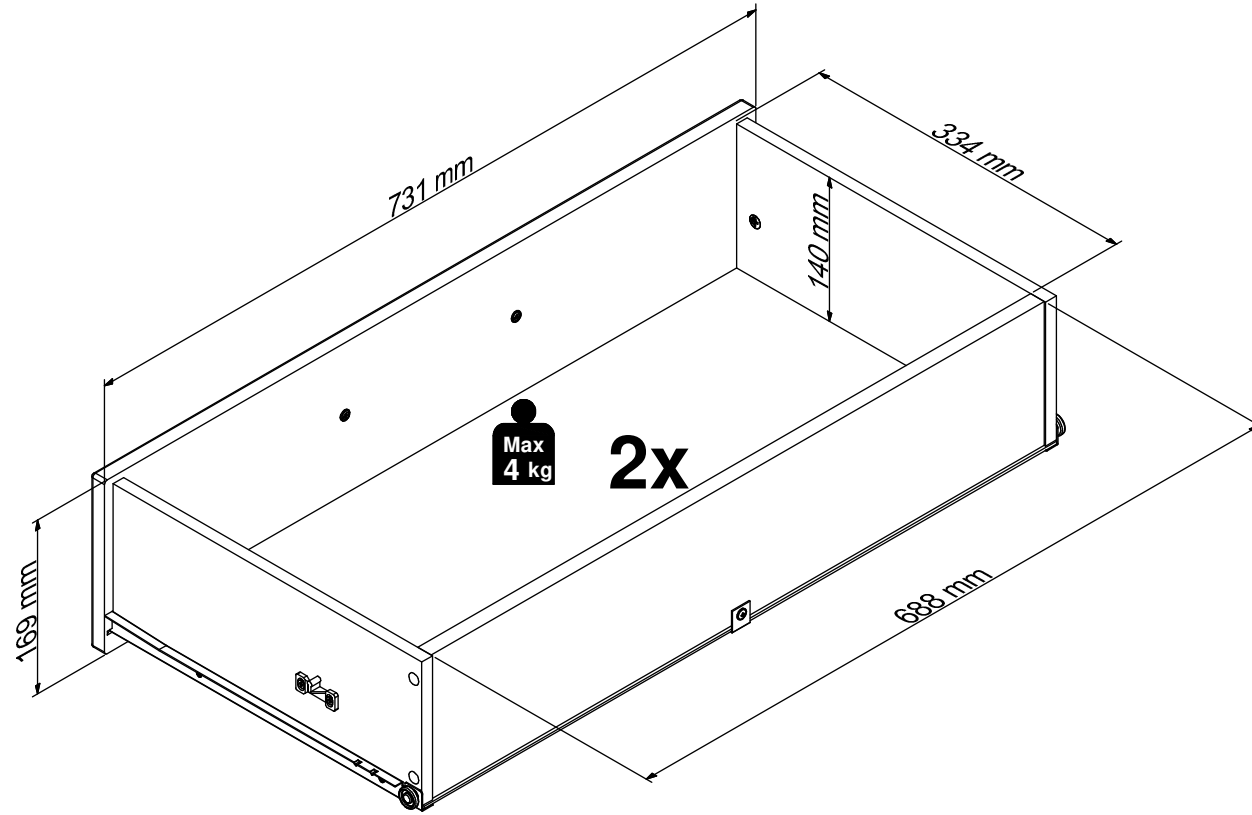
S643-REG/110/80



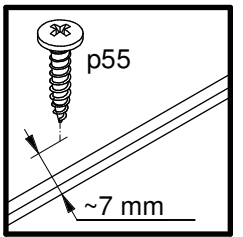
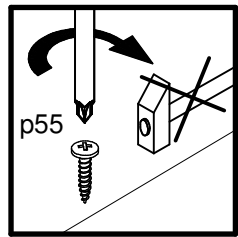
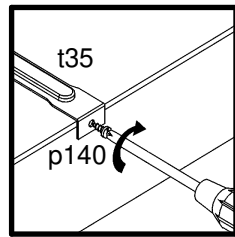
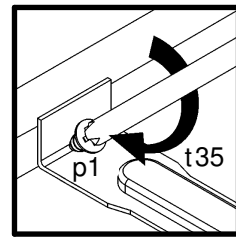
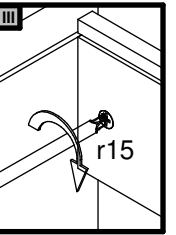
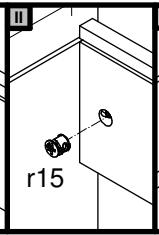
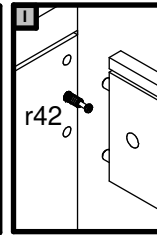
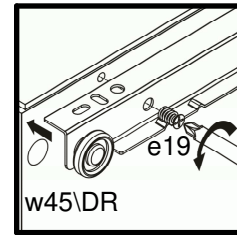
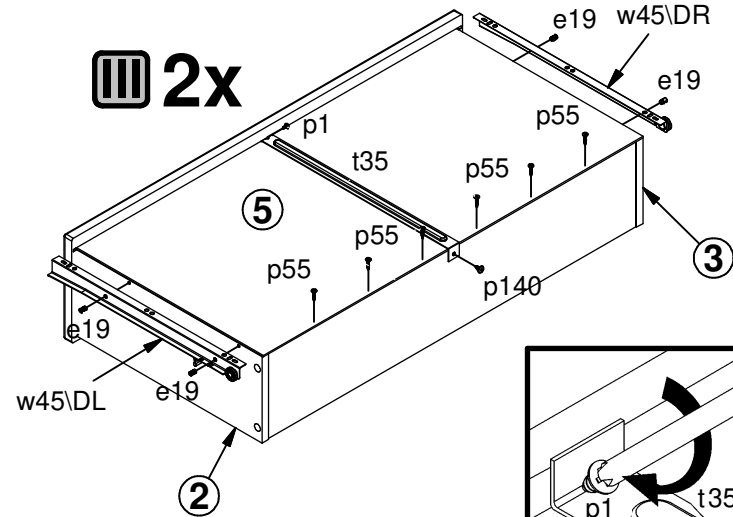
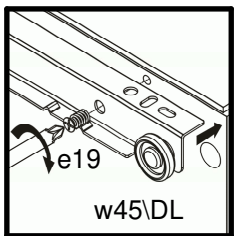
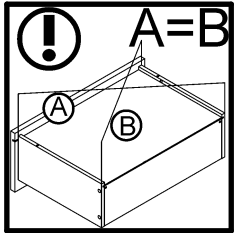
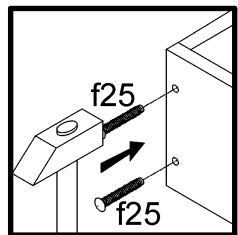
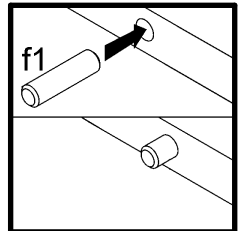
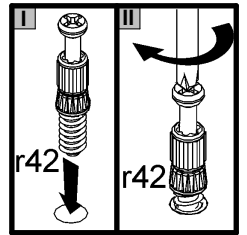
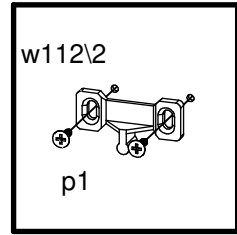
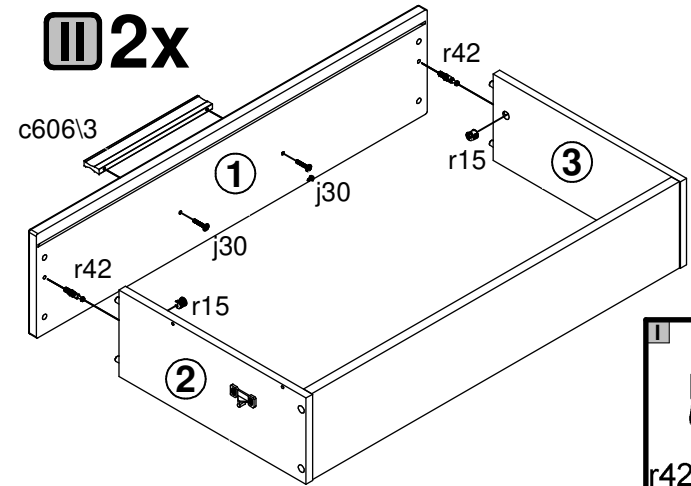
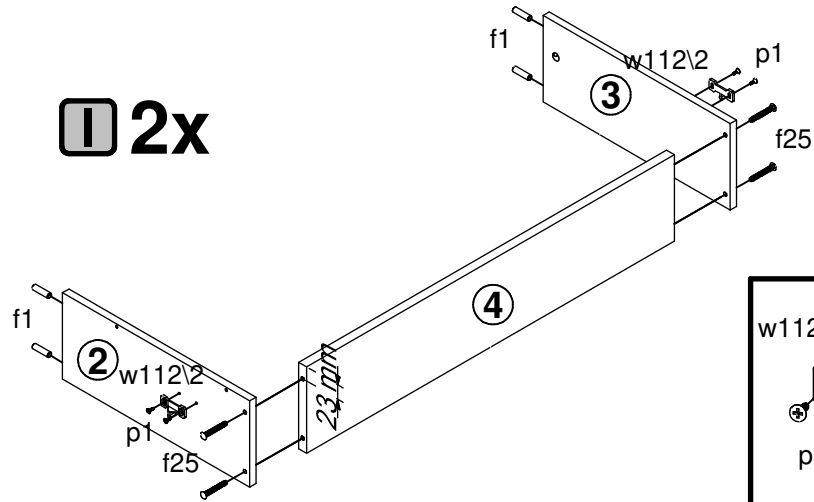
S643-REG/213/80



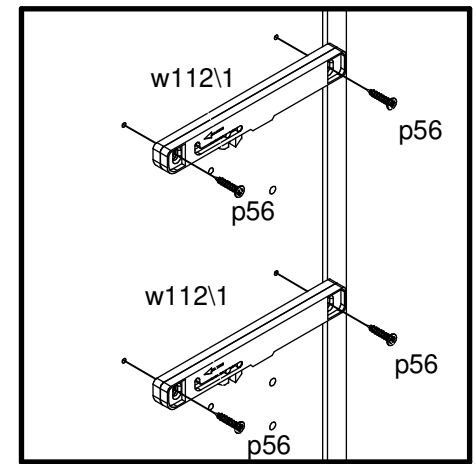
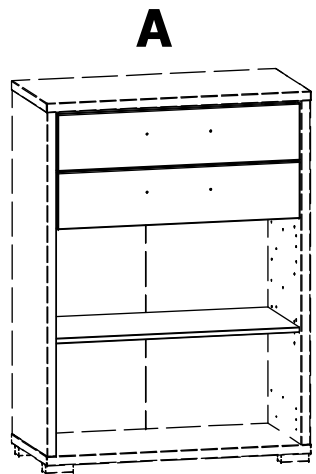
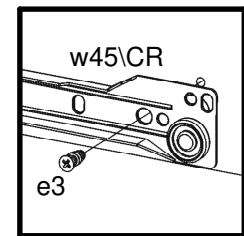
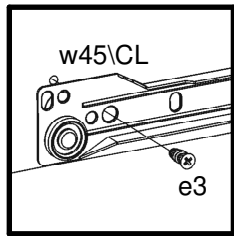
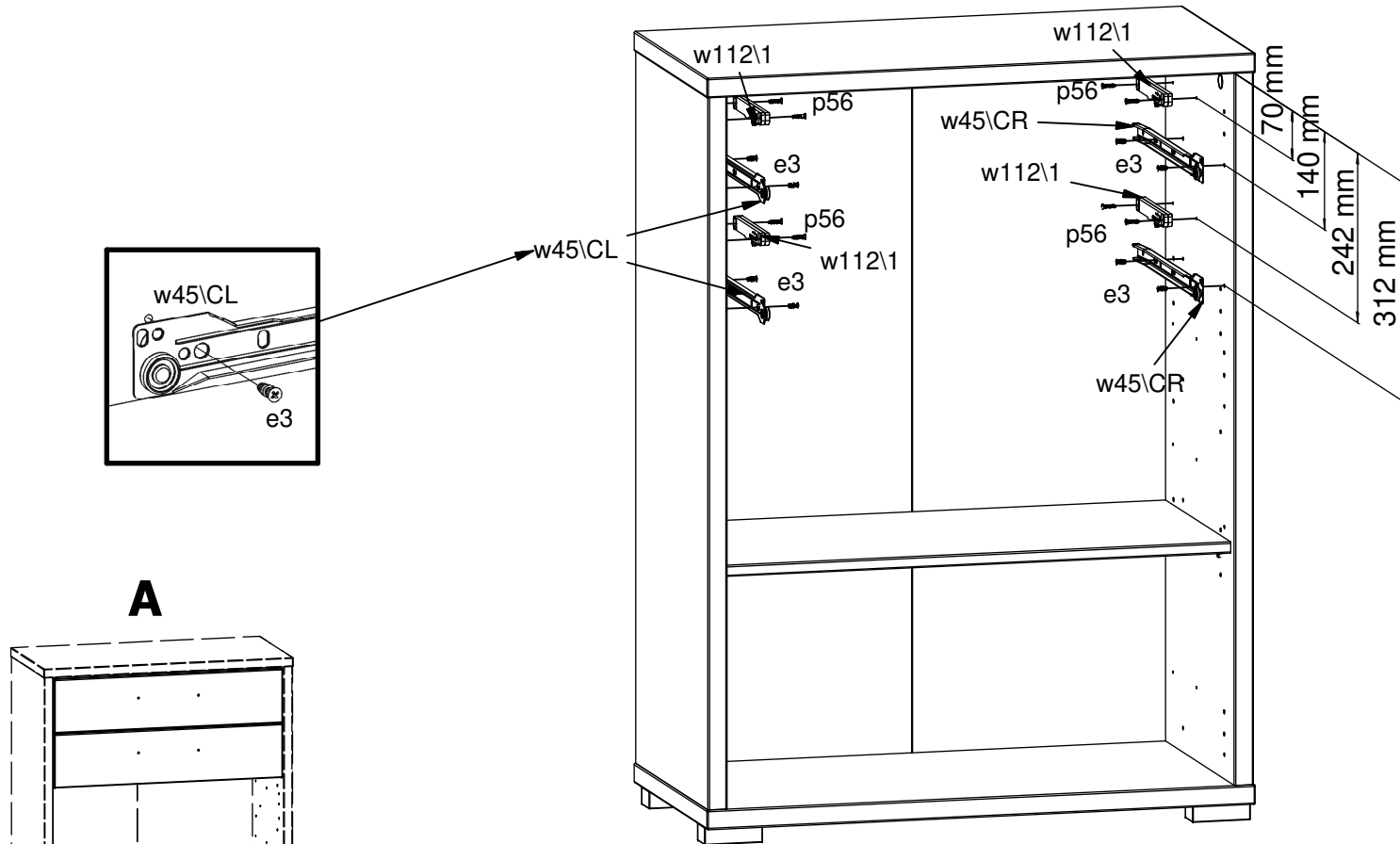
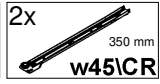
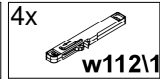
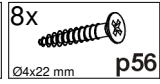
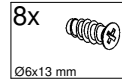




- | | | | | | | | | | | | |
|-----------------------------------|------------------------|----------------------|-------------------------|-----------------------|--------------------------|--------------------------|-------------------------|------------------------------|--------------------|---------------------|--------------|
| 1
2x
192mm
c606\3 | 8x
Ø5x9 mm
e19 | 8x
Ø8x30 mm
f1 | 8x
Ø6,5x40 mm
f25 | 4x
M4x22 mm
j30 | 12x
Ø2,9x16 mm
p55 | 2x
Ø3,5x12 mm
p140 | 10x
Ø3,5x13 mm
p1 | 4x
Ø12x10,5 mm #12
r15 | 4x
20/11
r42 | 2x
350 mm
t35 | 2x
w112\2 |
| 2x
350 mm
w45\DL | 2x
350 mm
w45\DR | | | | | | | | | | |

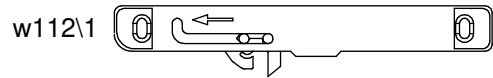


2A

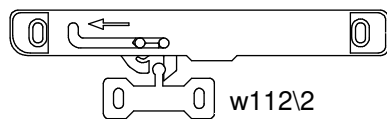
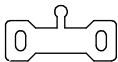


S643-REG/110/80

3A

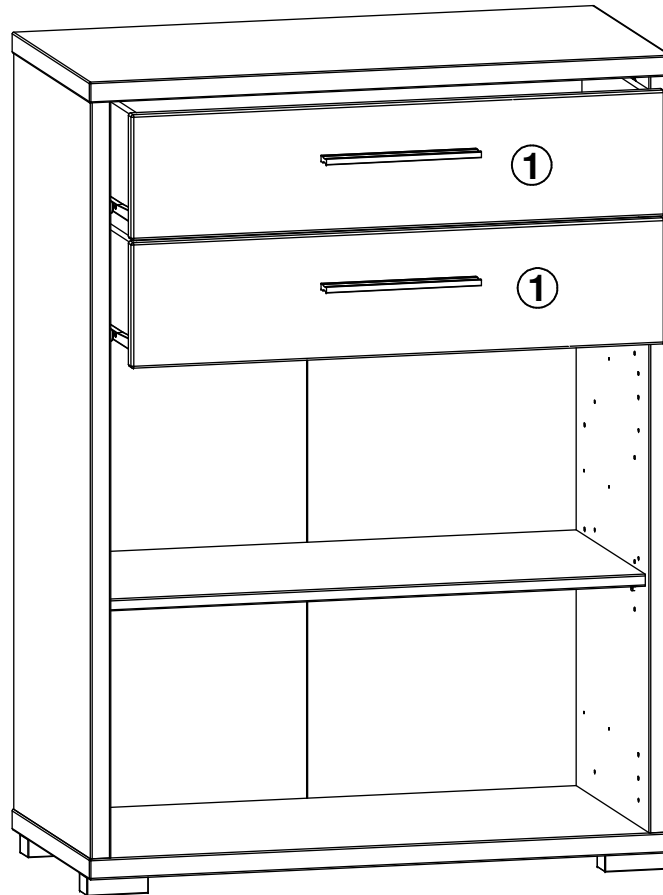


w112\2

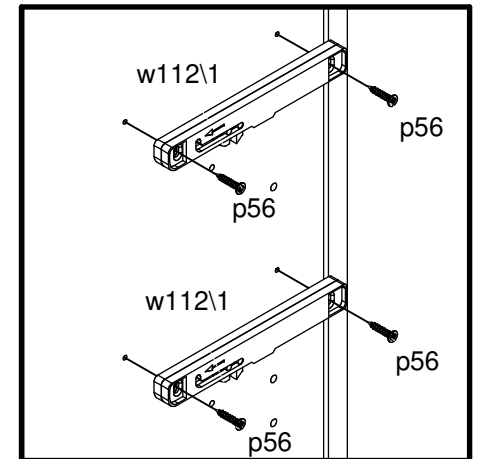
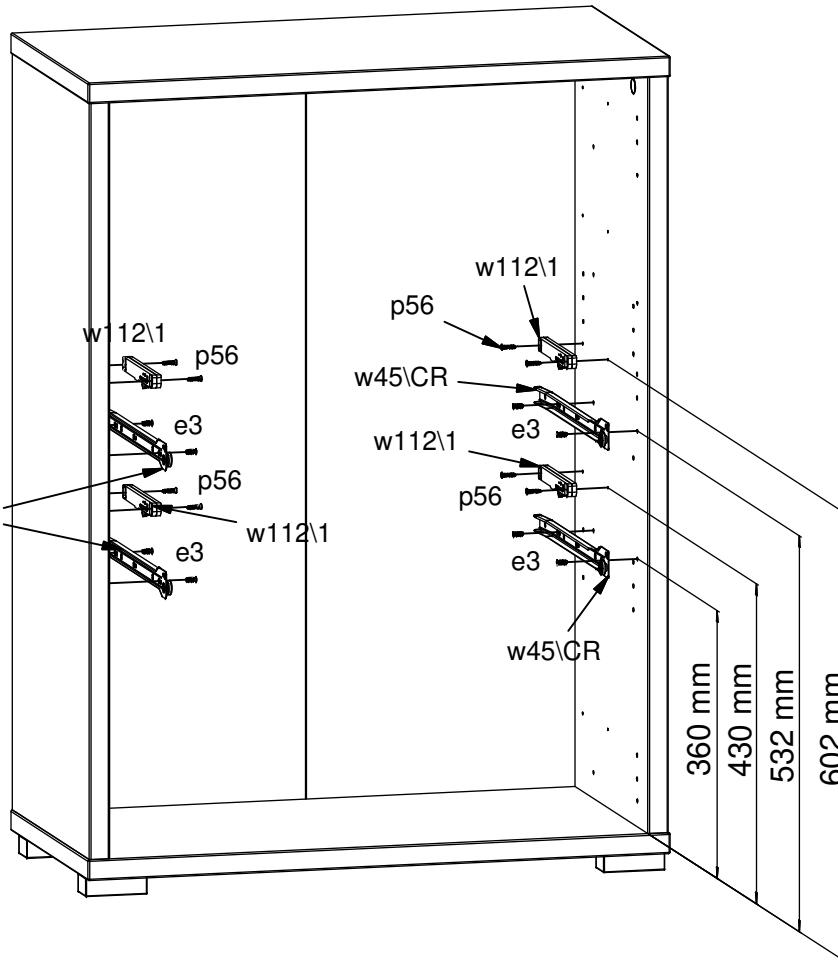
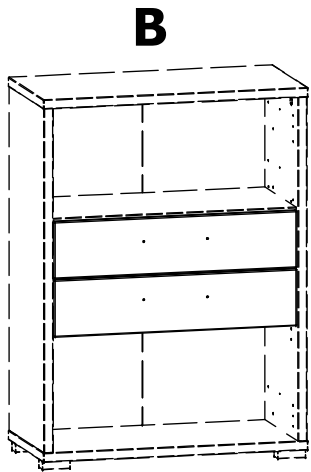
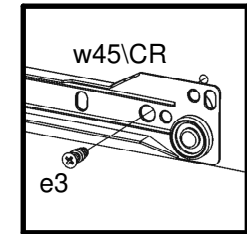
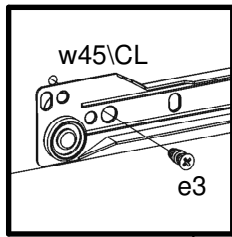
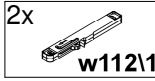
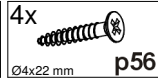
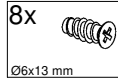


w112\1

w112\2

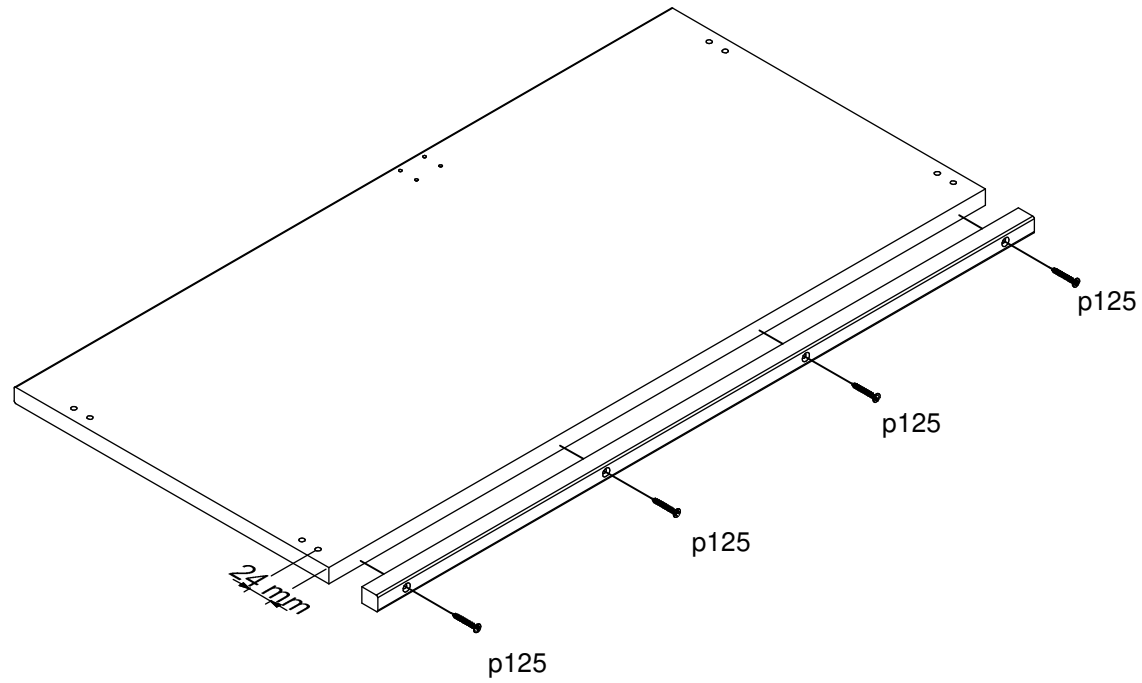


2B

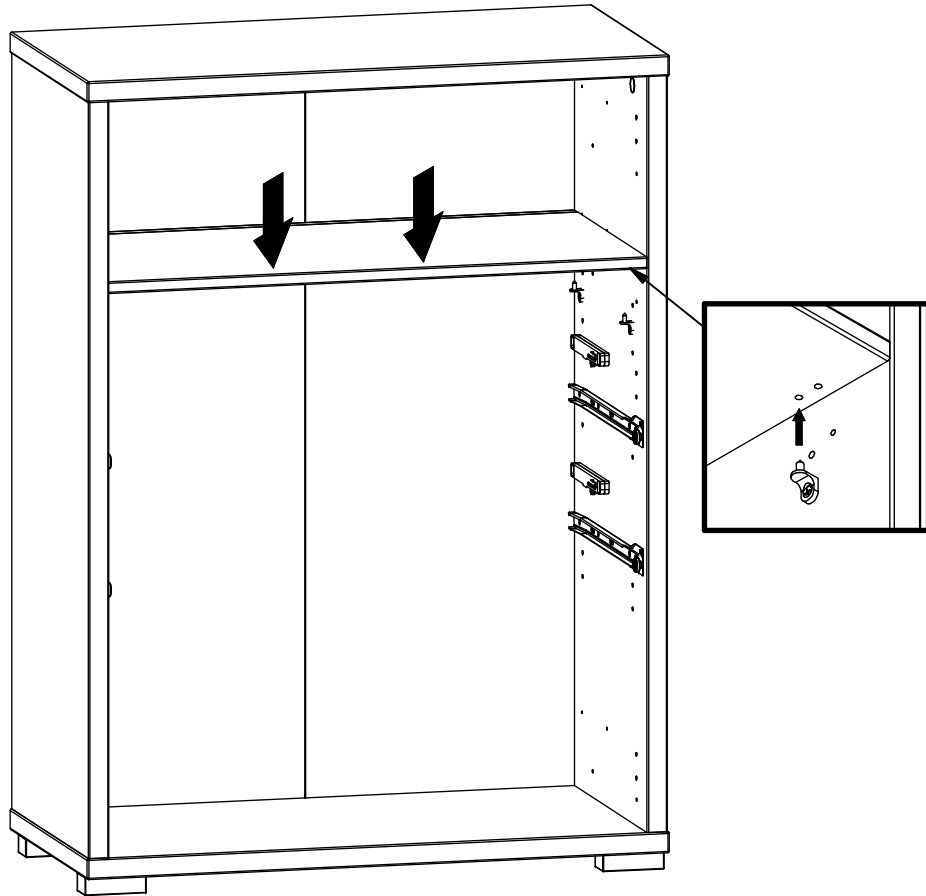


S643-REG/110/80

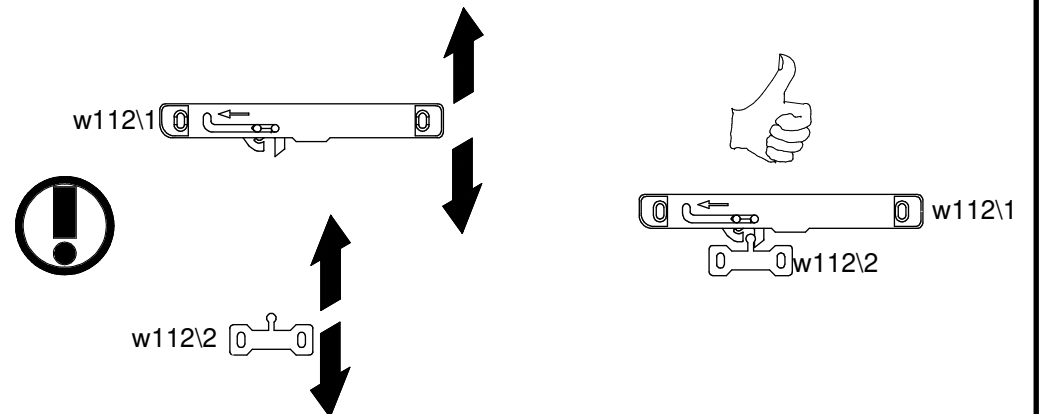
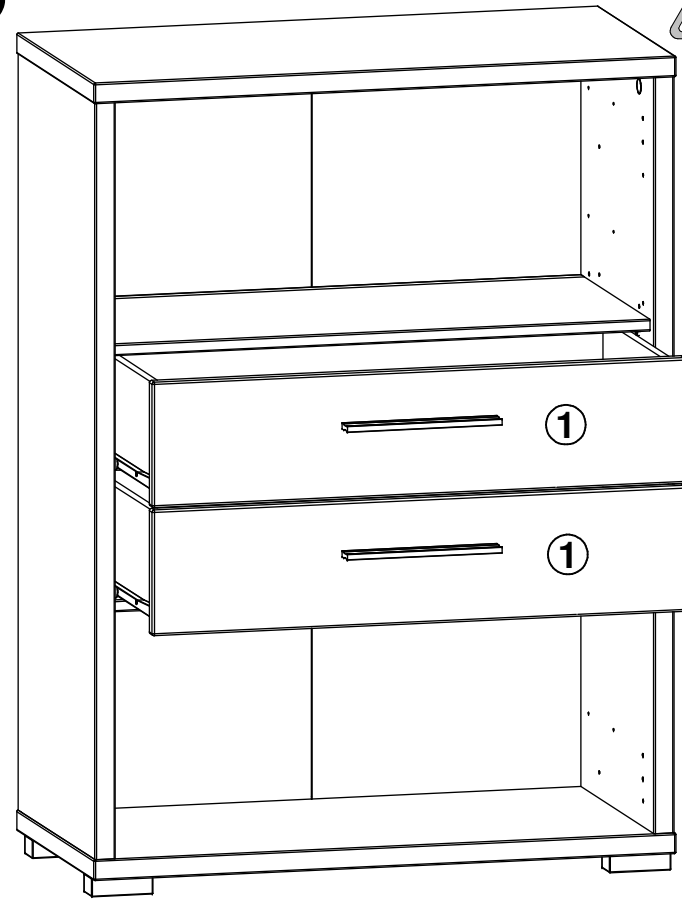
3B



4B



5B

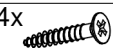


2C

8x
Ø6x13 mm
e3



4x
Ø4x22 mm
p56



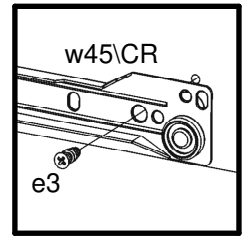
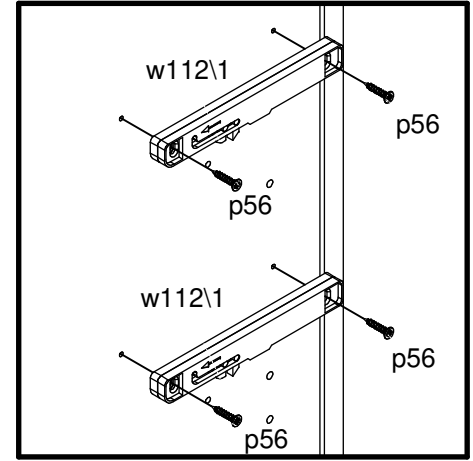
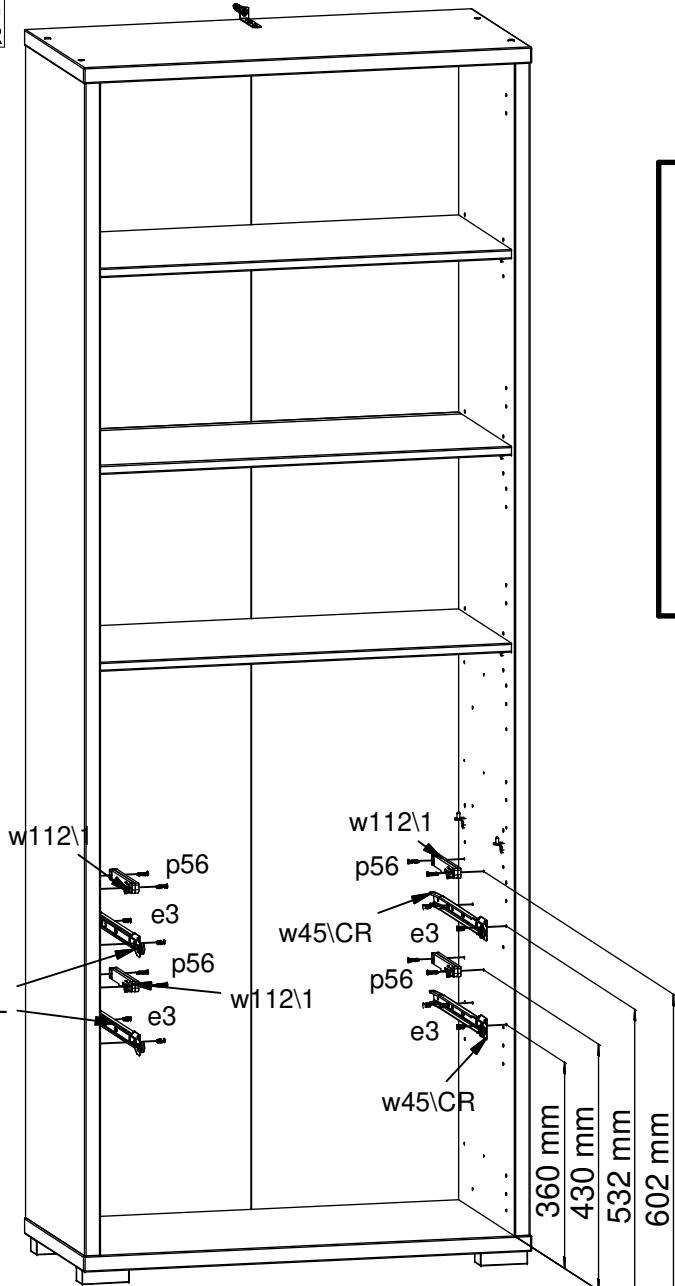
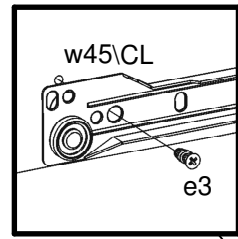
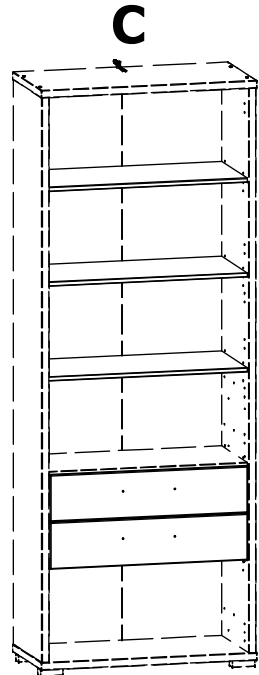
2x
w112\1



2x
350 mm
w45\CL

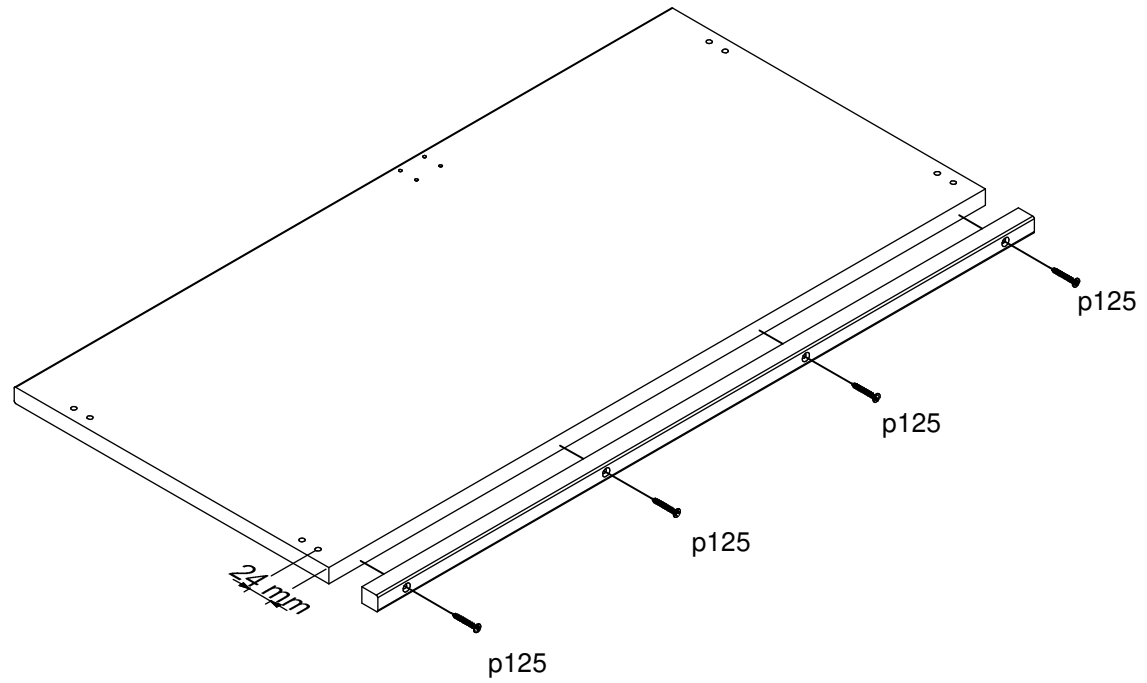


2x
350 mm
w45\CR

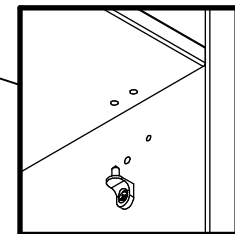
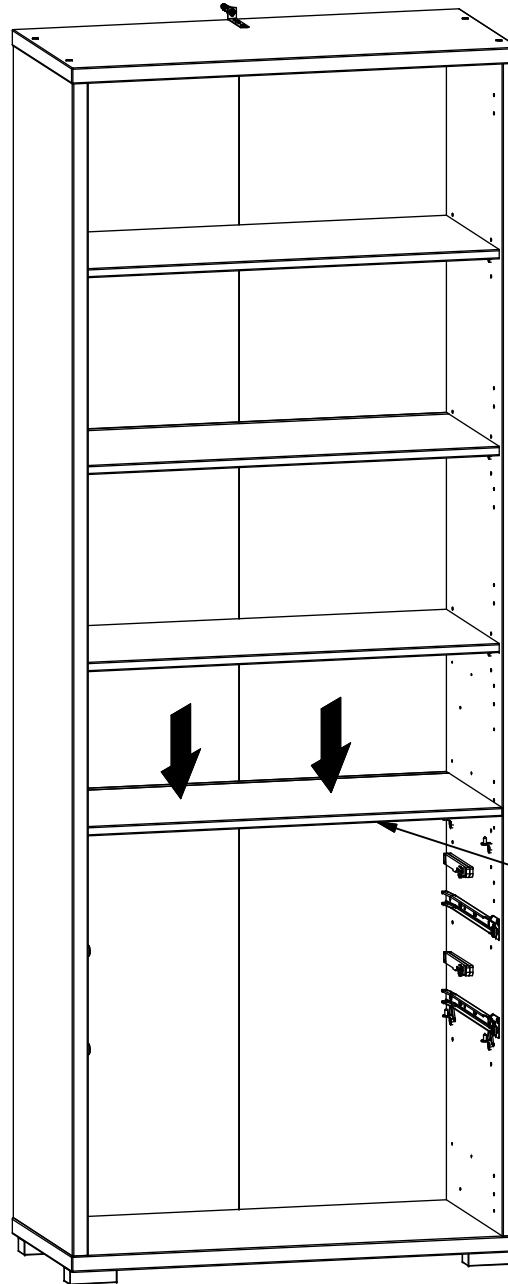


S643-REG/213/80

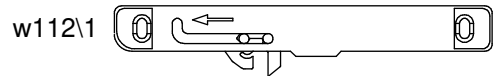
3C



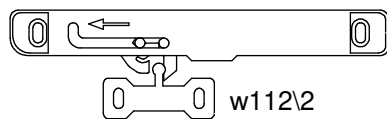
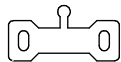
4C



5C

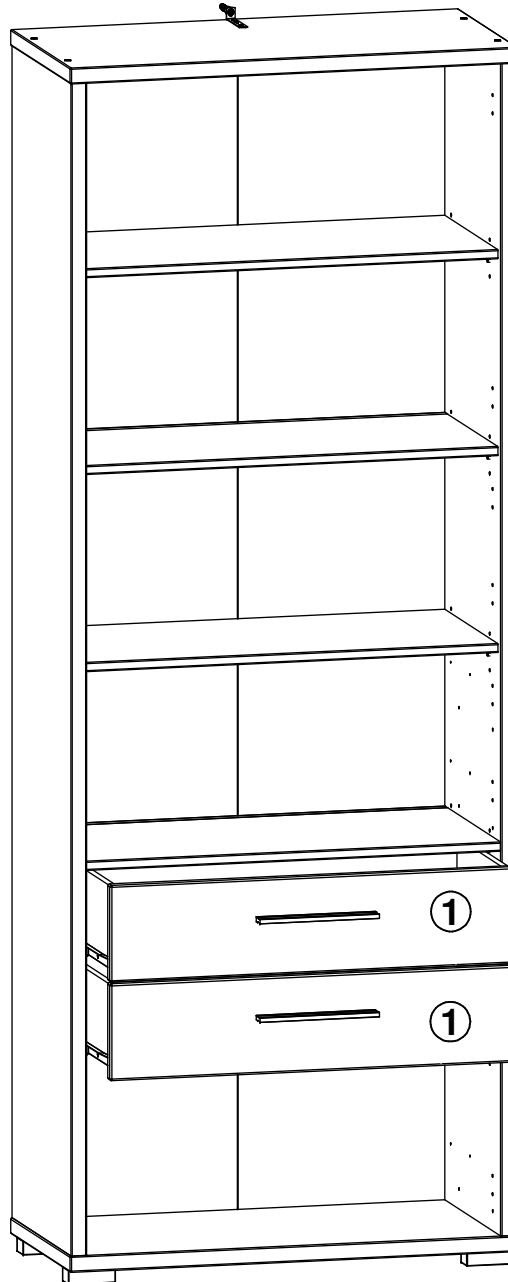


w112\2



w112\1

w112\2



2D

8x



Ø6x13 mm

e3

4x



Ø4x22 mm

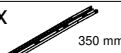
p56

2x



w112\1

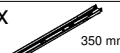
2x



350 mm

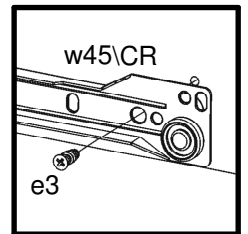
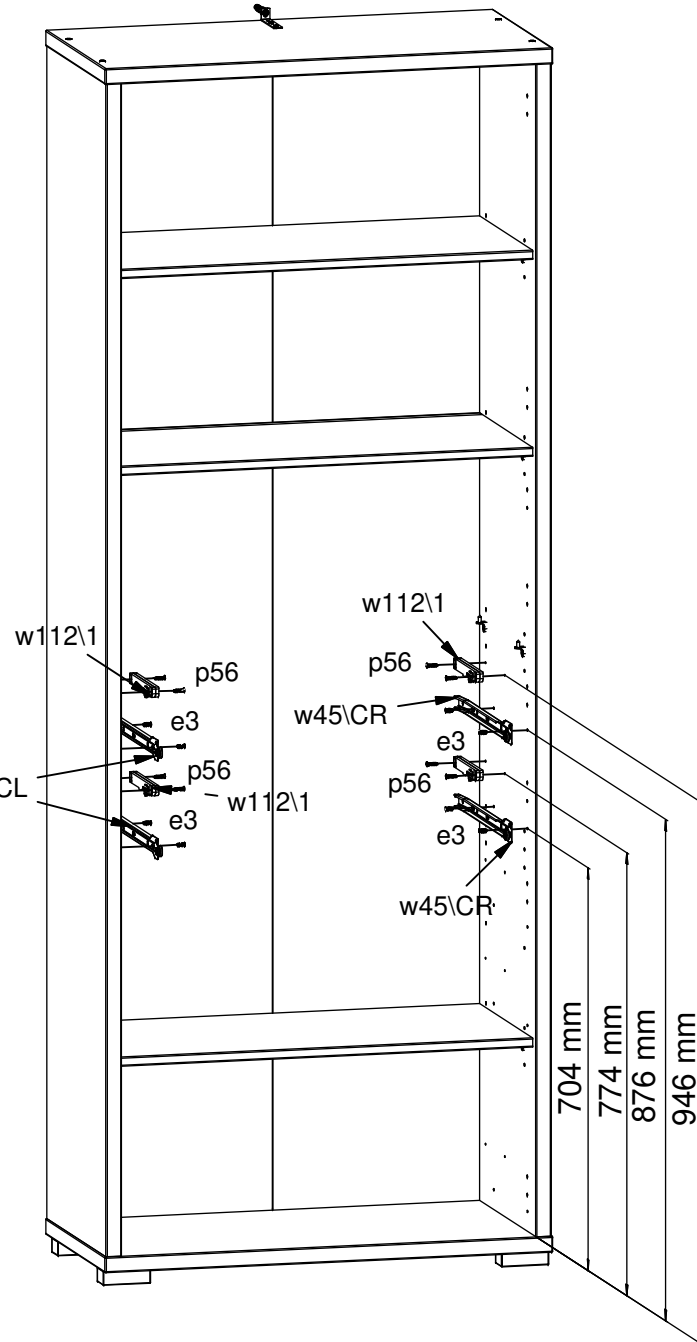
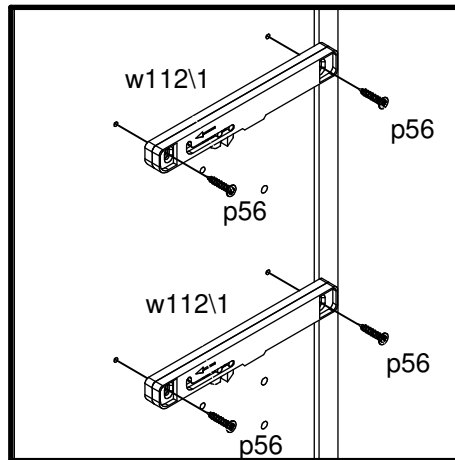
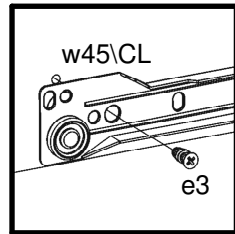
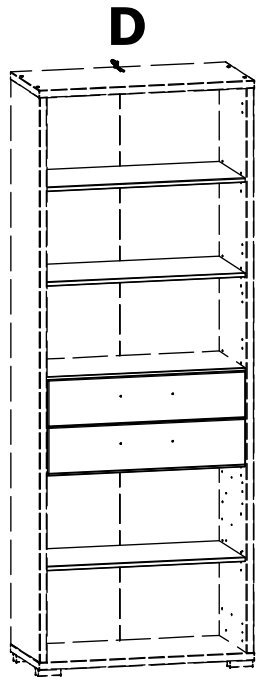
w45\CL

2x



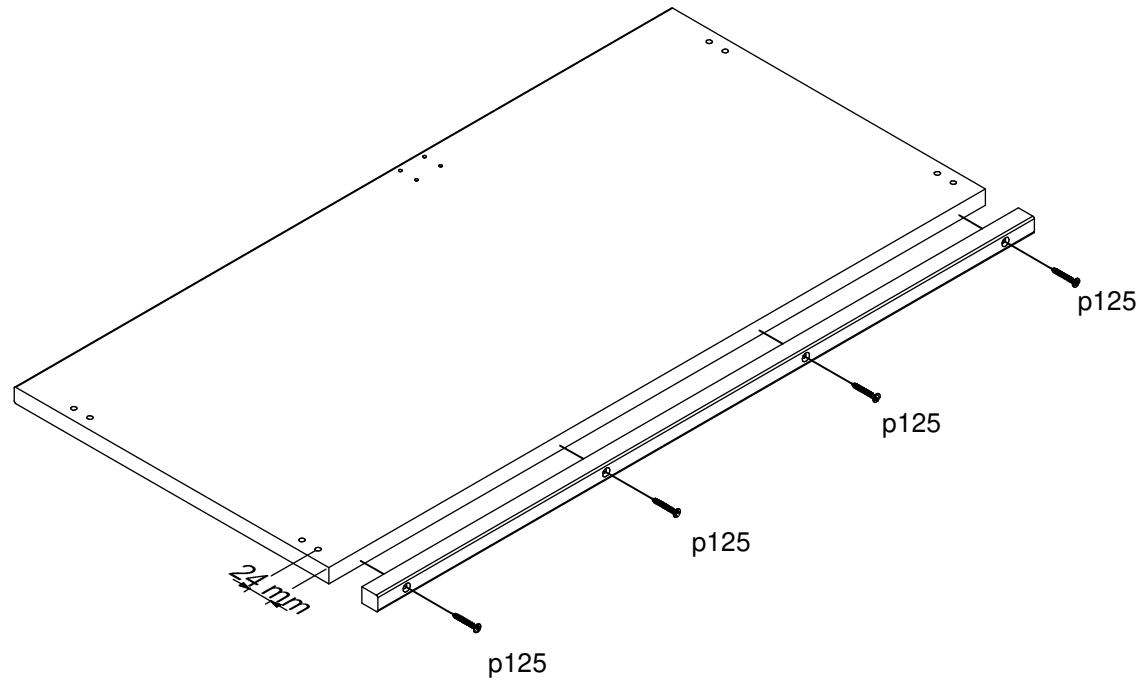
350 mm

w45\CR

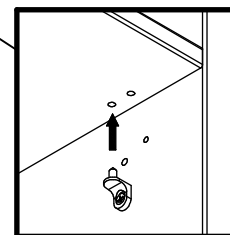
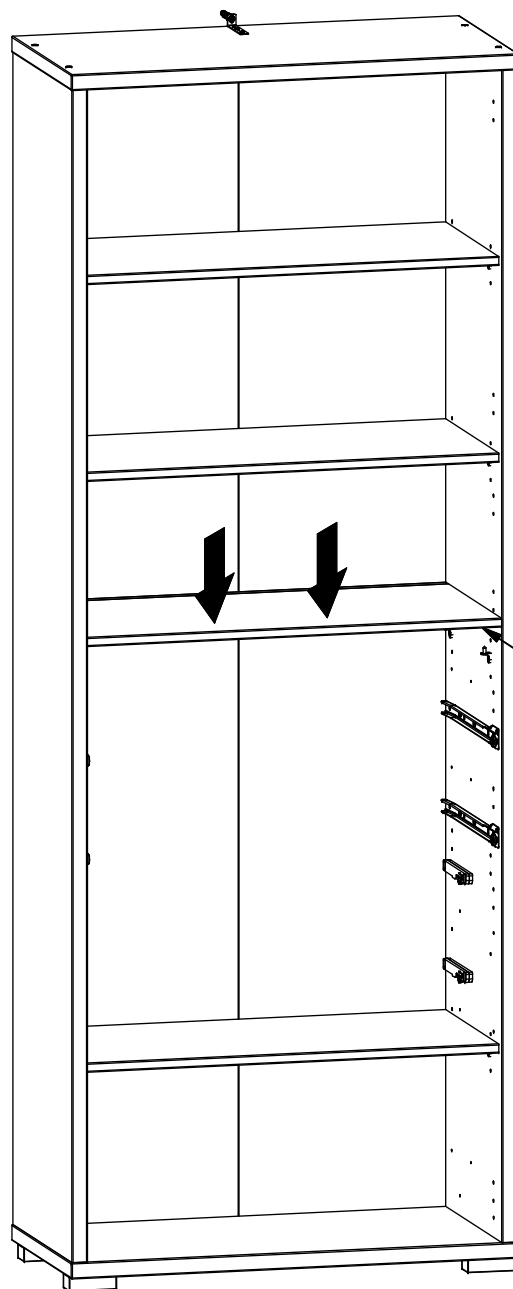


S643-REG/213/80

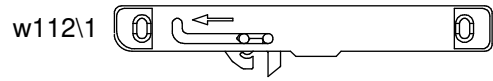
3D



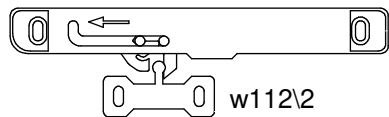
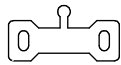
4D



5D



w112\2



w112\1

w112\2

