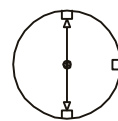
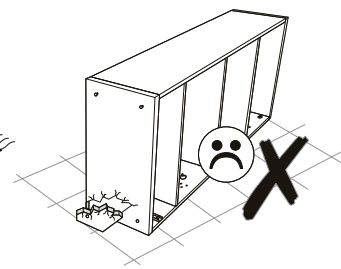
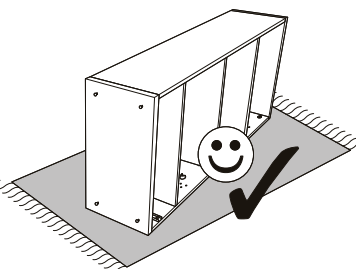
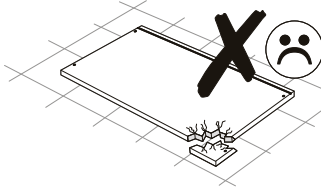
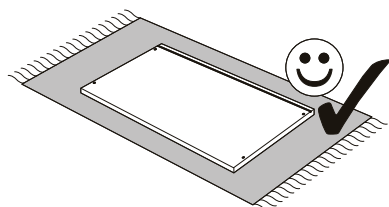
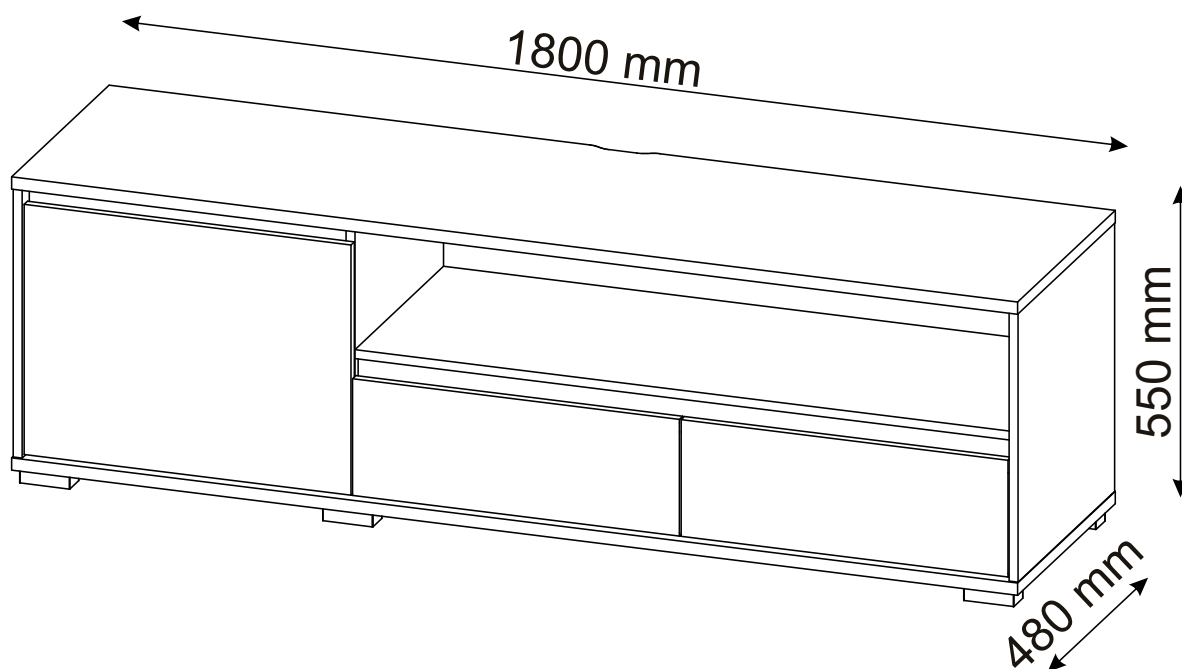
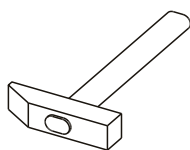
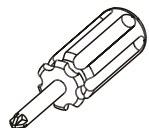
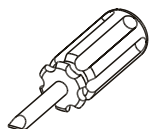
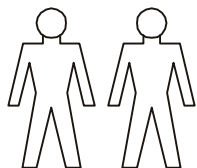


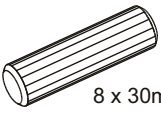
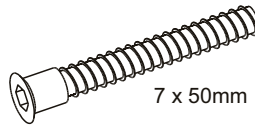
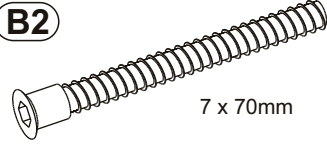

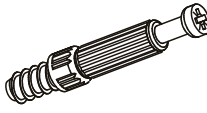










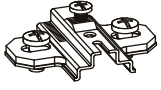
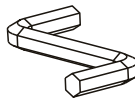
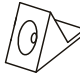
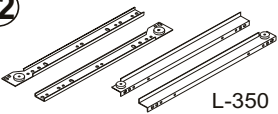
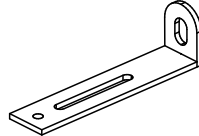

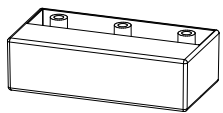

LINE - LOWBOARD

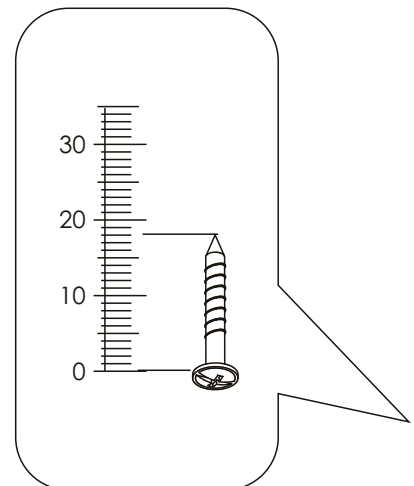
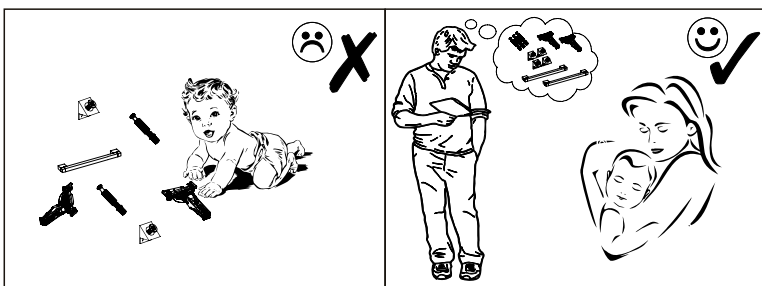
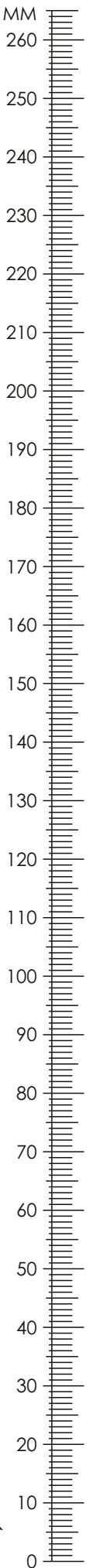
00030033/08



40
MIN




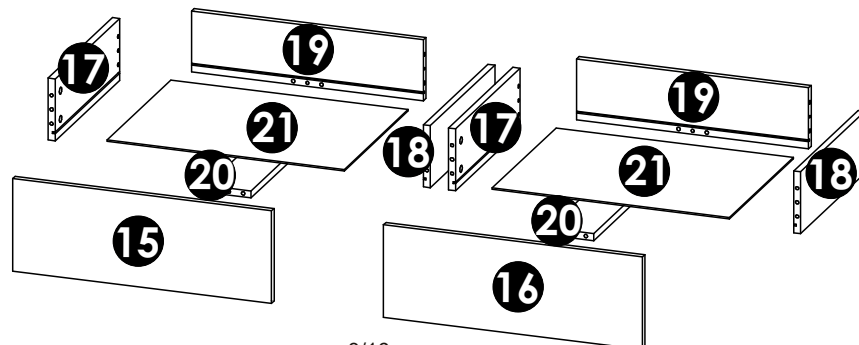
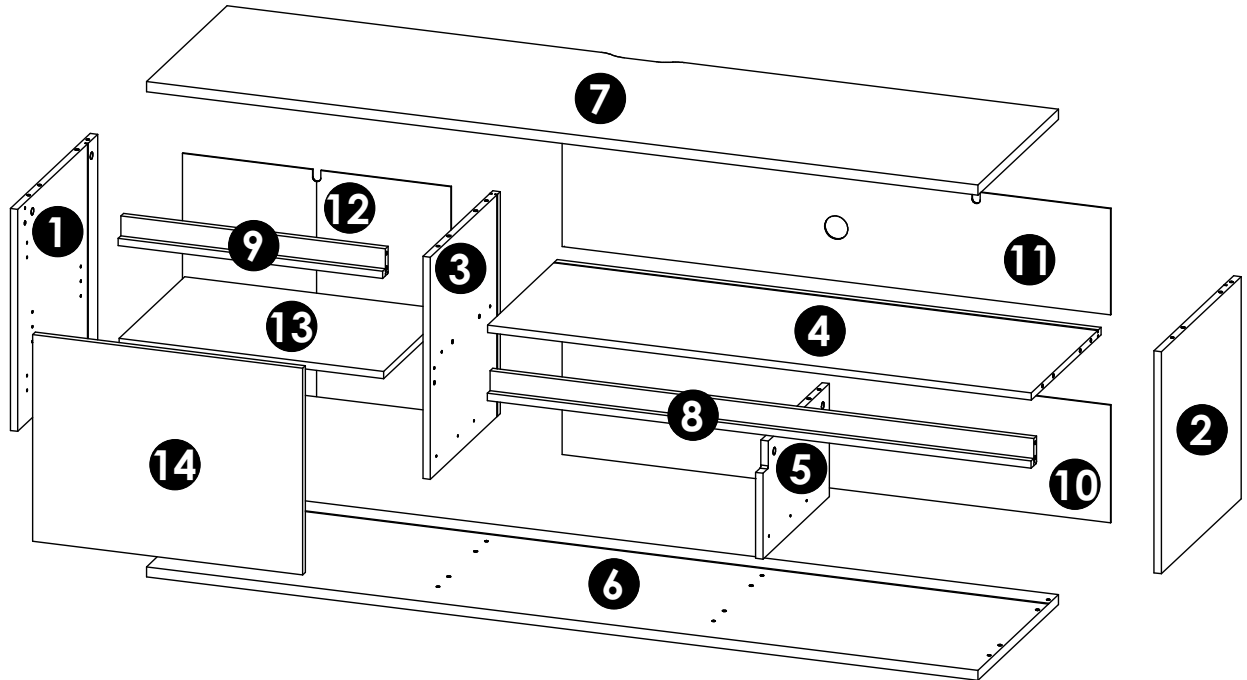
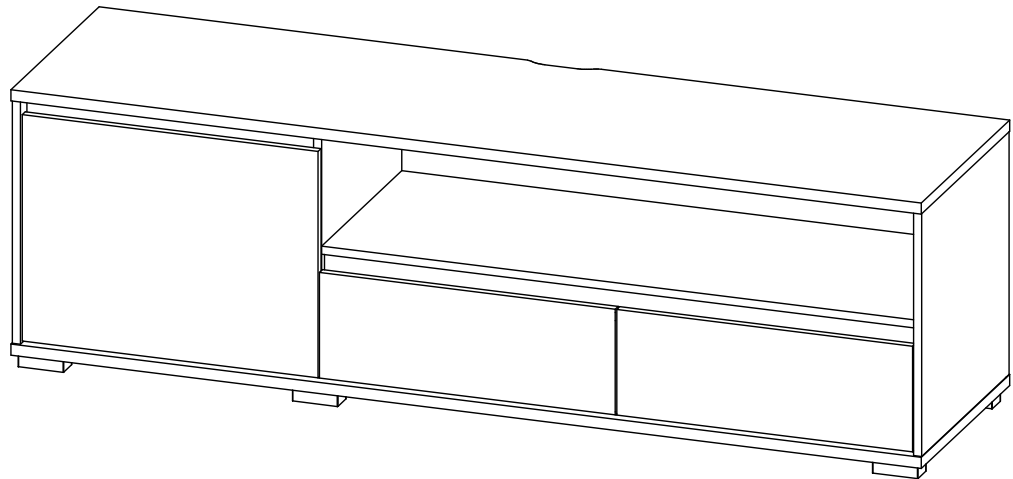
A0  8 x 30mm x48	B1  7 x 50mm x6	B2  7 x 70mm x8
C0  x10	C2  x22	C7  x22
D0  3 x 15mm x26	D5  3.5 x 16mm x12	D8  4.2 x 13mm x2
D10  4 x 16mm x4	D14  4 x 35mm x18	D20  5 x 9mm x6
D21  5 x 13mm x8	E0 5 x 50 mm 8 x 50 mm  x2	J4  x2
J6  x2	K 4mm  x1	M1  x26
N12  L-350 x2	P0  x2	Q3  x4
T2  x6	U0  x5	

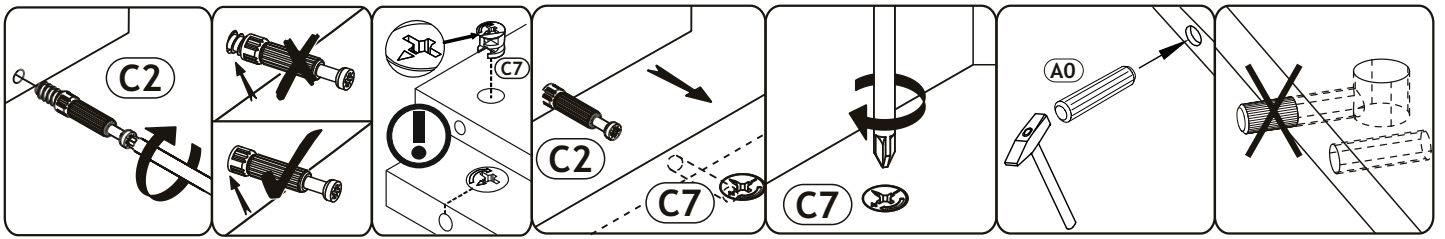


1	481	475	16	x1	1/2
2	481	475	16	x1	1/2
3	481	416	16	x1	1/2
4	1178	415	16	x1	1/2
5	245	396	16	x1	1/2
6	1801	480	22	x1	2/2
7	1801	480	22	x1	2/2
8	1178	59	32	x1	1/2

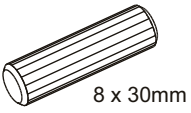
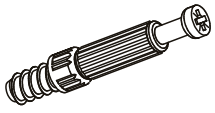

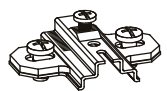
9	573	59	32	x1	1/2
10	1188	255	2,8	x1	2/2
11	1188	230	2,8	x1	2/2
12	491	582	2,8	x1	2/2
13	573	390	16	x1	1/2
14	585	448	16	x1	1/2
15	585	209	16	x1	1/2
16	585	209	16	x1	1/2

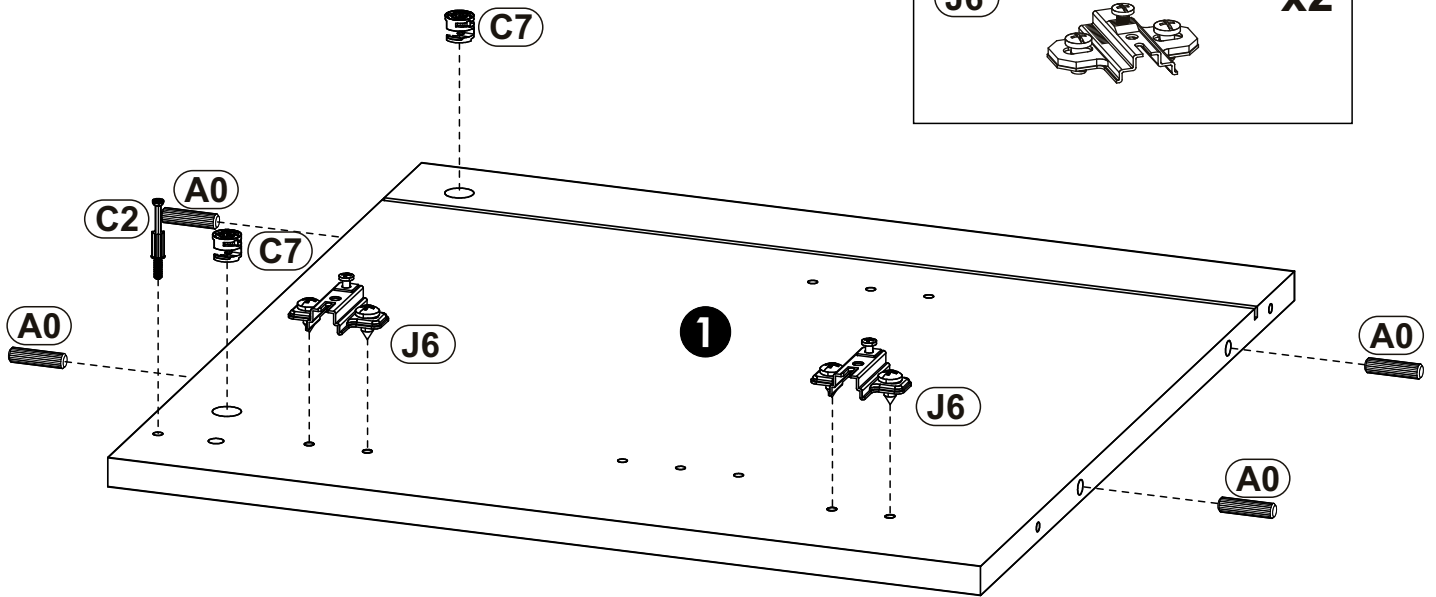
17	350	140	16	x2	1/2
18	350	140	16	x2	1/2
19	524	138	16	x2	1/2
20	334	100	16	x2	1/2
21	534	344	2,8	x2	2/2
					1/2



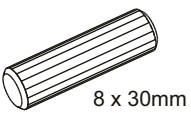
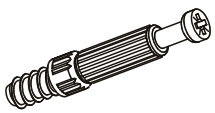


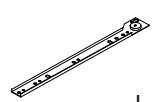



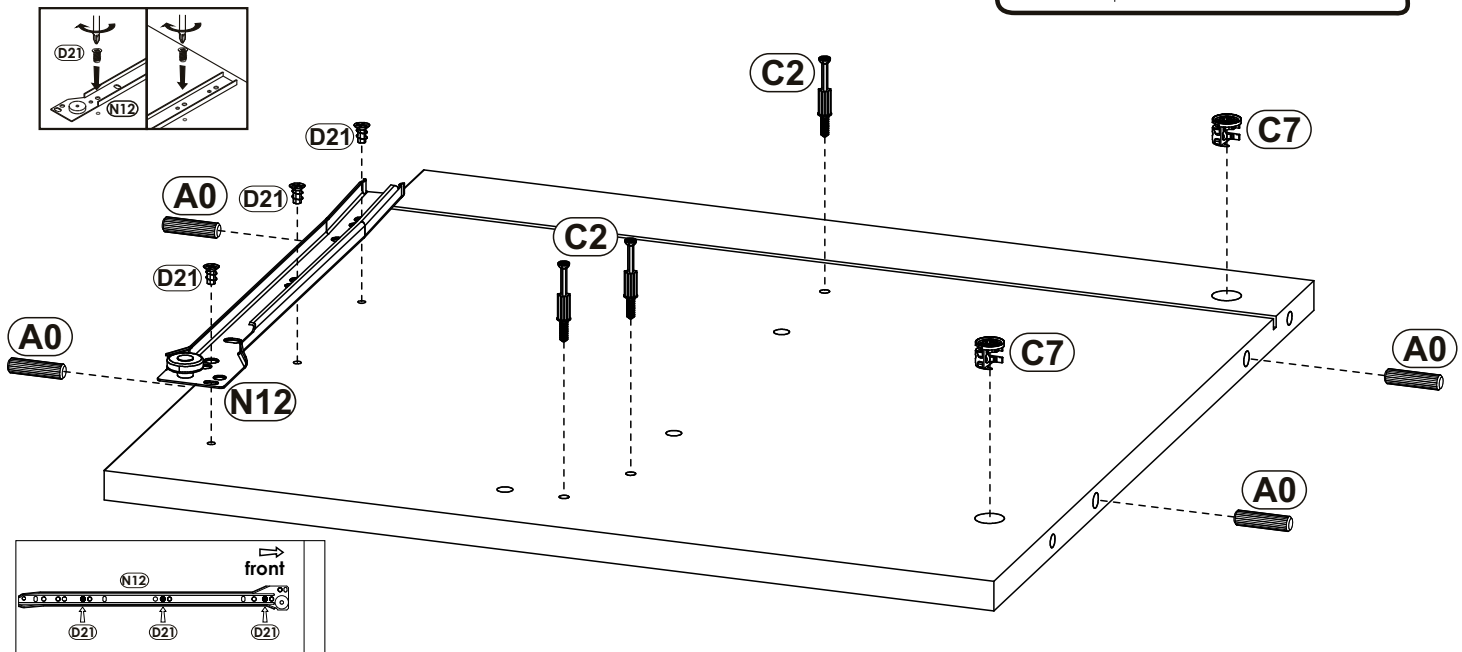
1

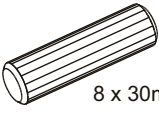
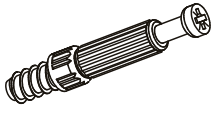


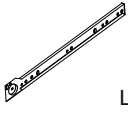
A0	 8 x 30mm	x4	C2		x1	C7		x2	
							J6		x2

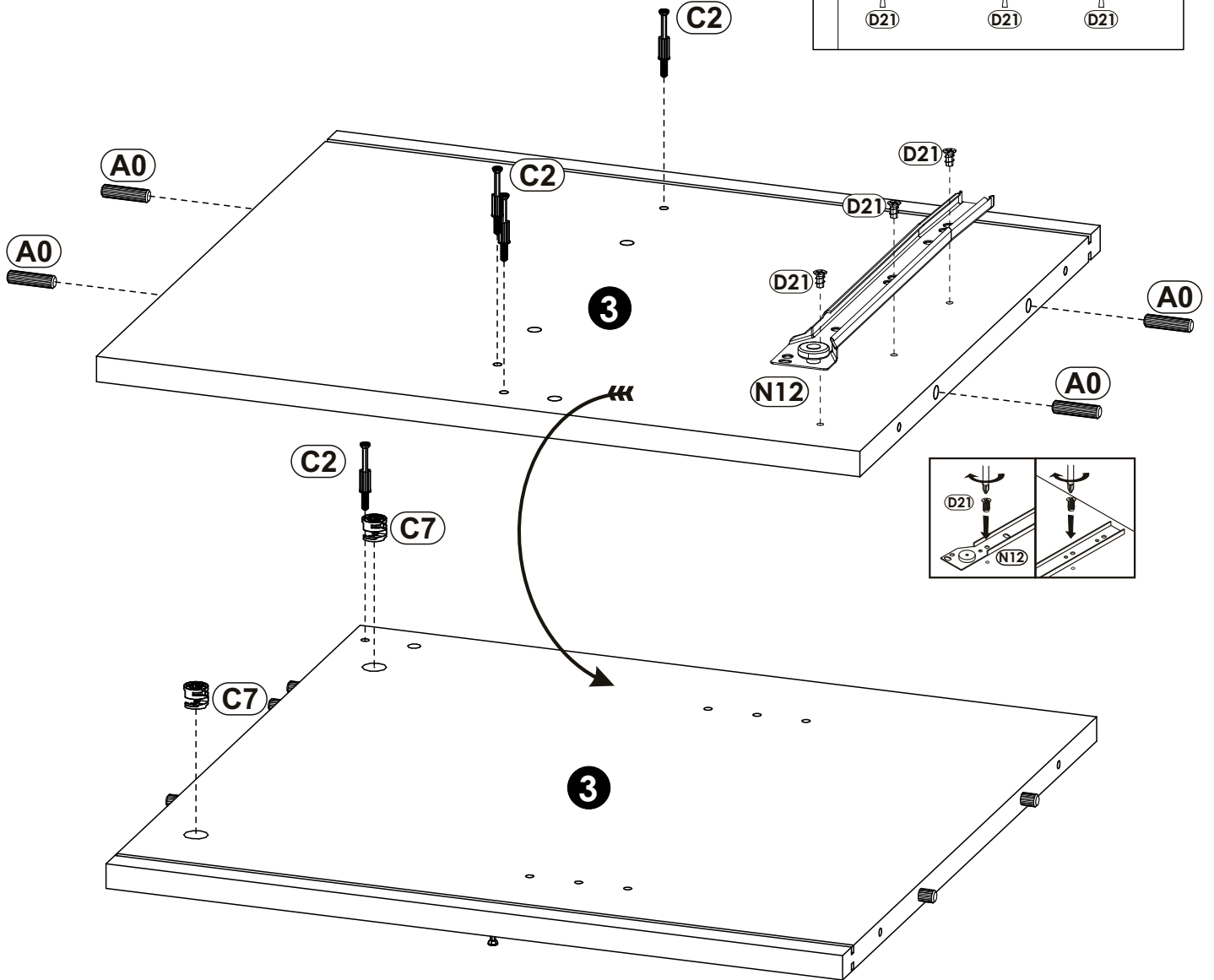
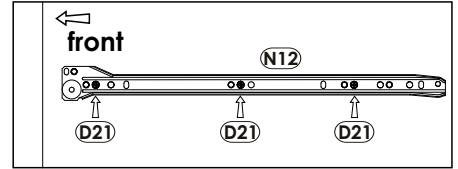


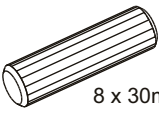
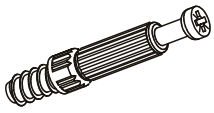

2

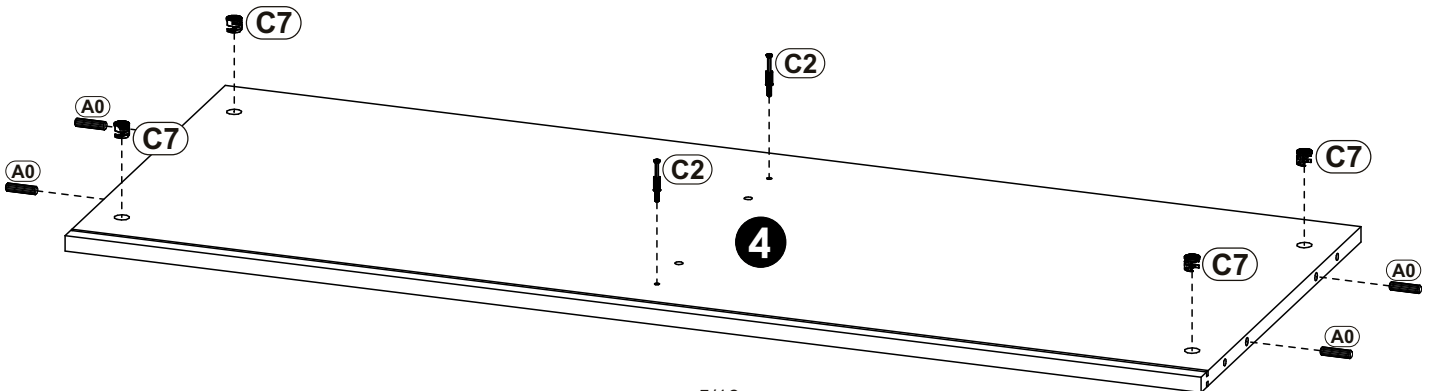
A0	 8 x 30mm	x4	C2		x3	C7		x2
D21	 5 x 13mm	x3	N12	 L-350	x1			



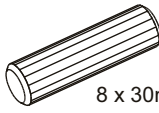


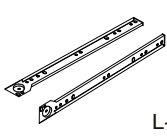

3	A0  8 x 30mm x4	C2  x4	C7  x2
	D21  5 x 13mm x3	N12  L-350 x1	

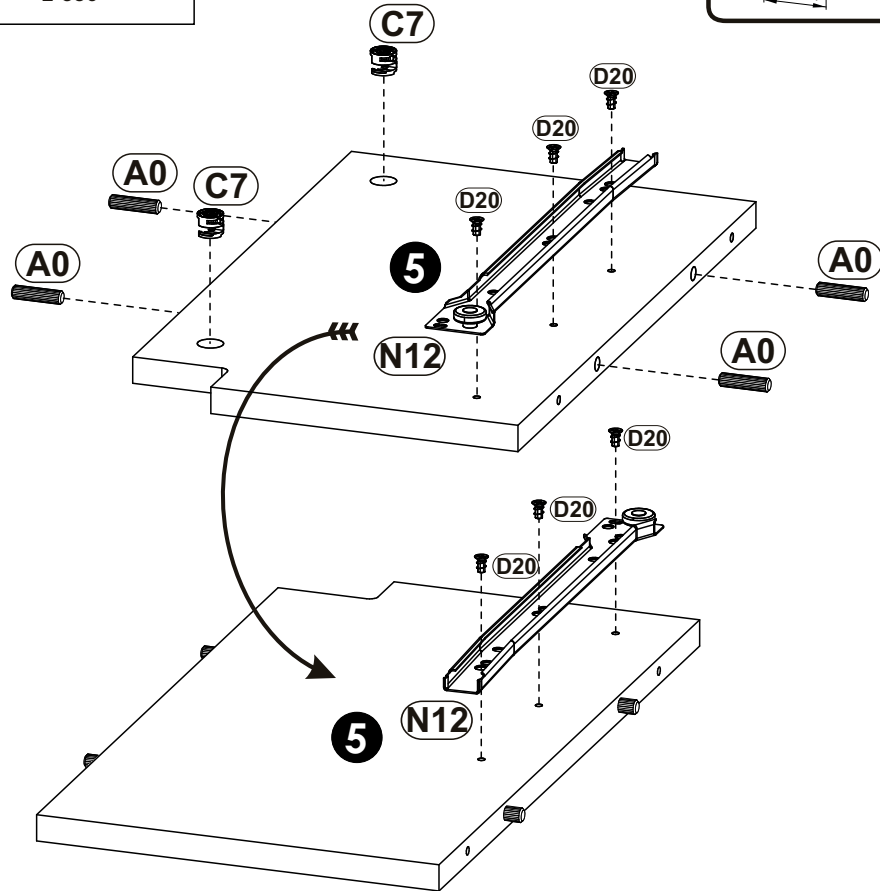


4	A0  8 x 30mm x4	C2  x2	C7  x4
----------	---	---	---

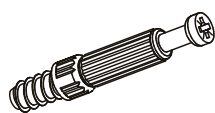


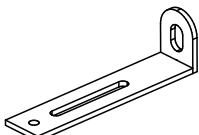
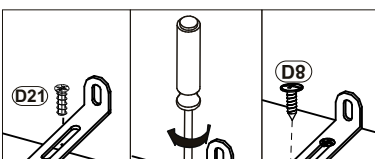


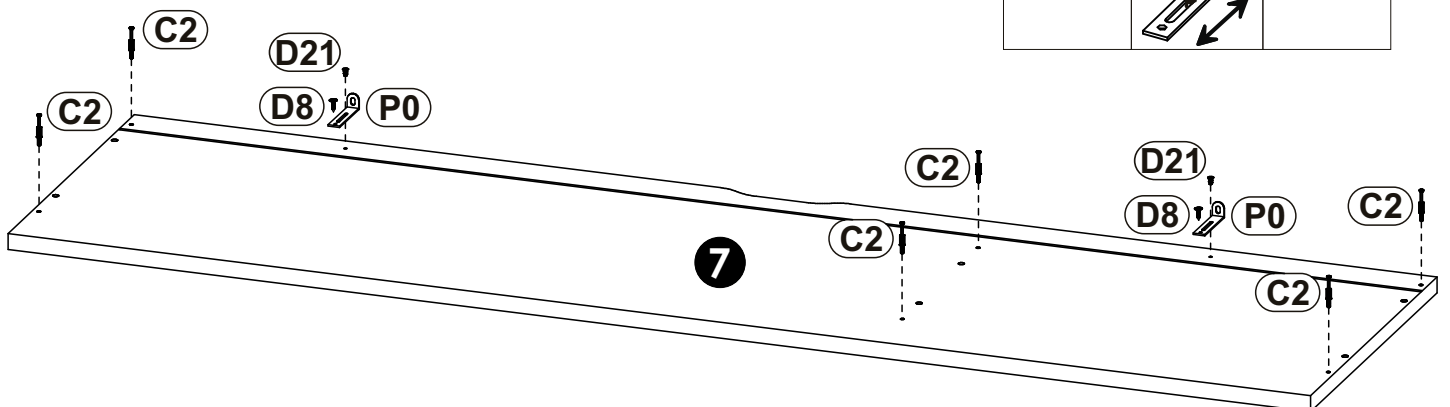
5

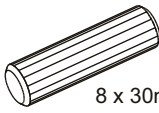

A0	 8 x 30mm	x4	C7		x2	D20	 5 x 9mm	x6
N12	 L-350	x1						

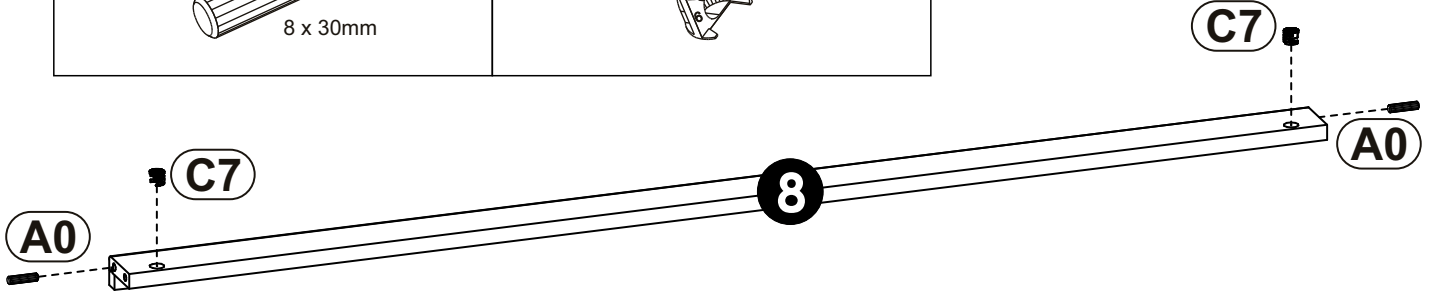


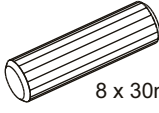

6

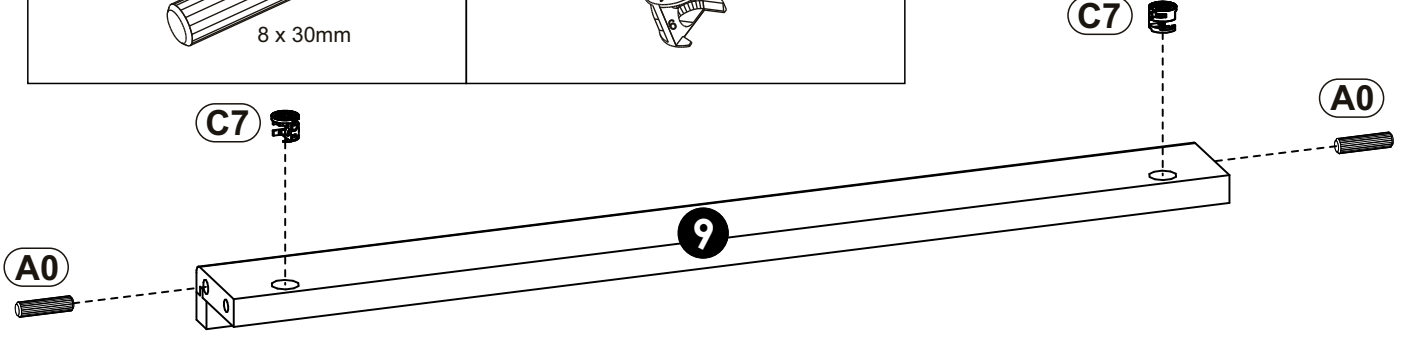
C2		x6	D8	 4.2 x 13mm	x2	D21	 5 x 13mm	x2
P0		x2						





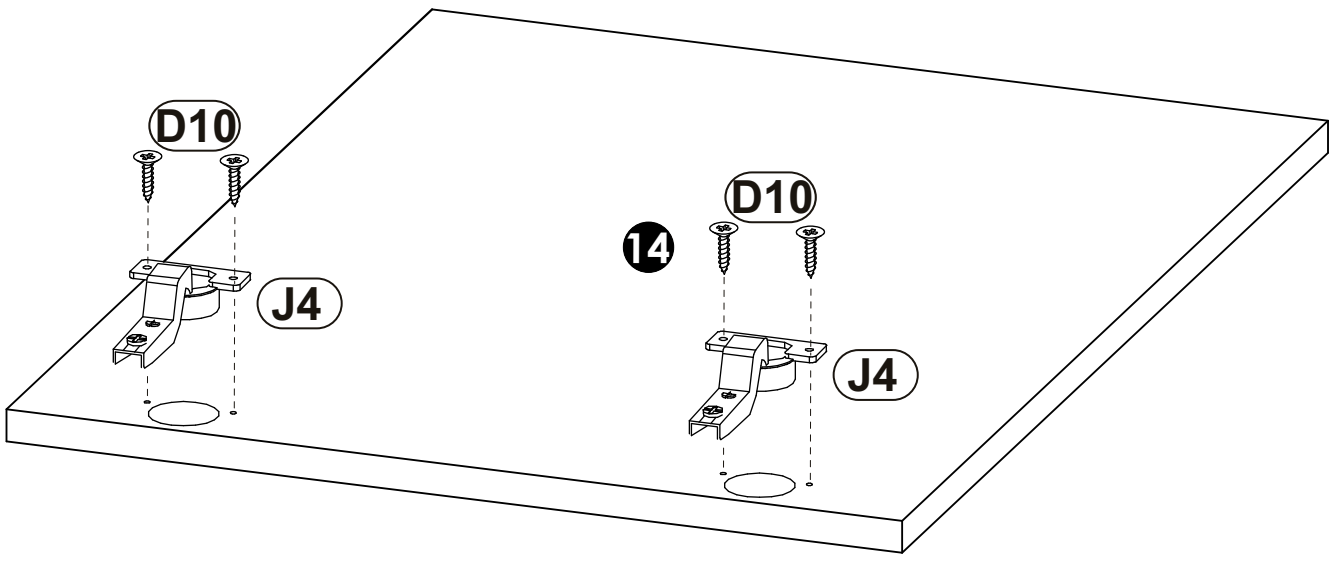
7 **A0**  **x2** **C7**  **x2**

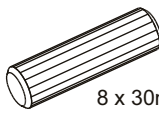


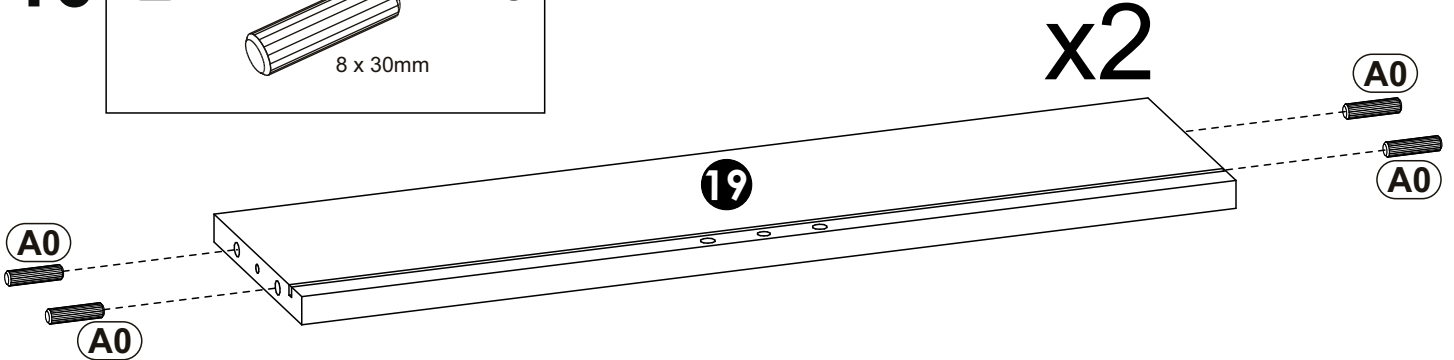
8 **A0**  **x2** **C7**  **x2**



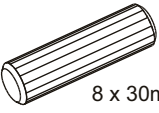

9 **D10**  **x4** **J4**  **x2**

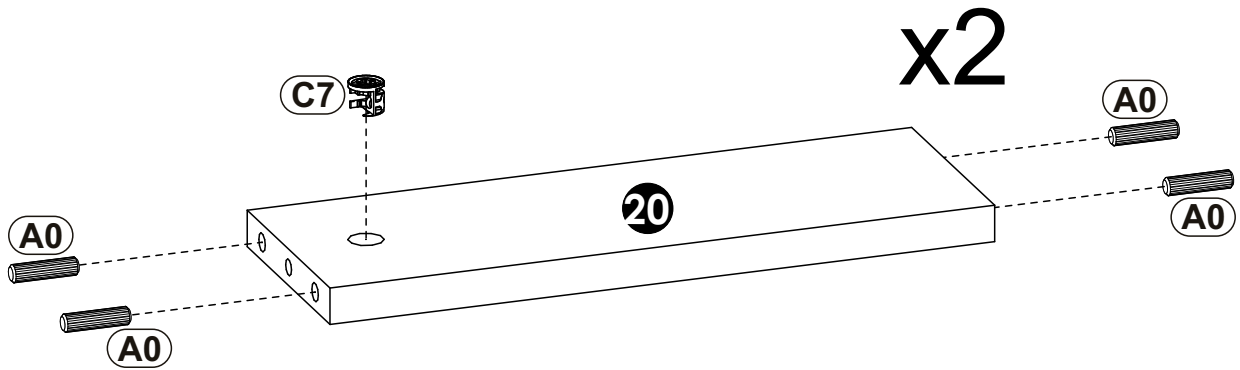


10 **A0**  **x8**

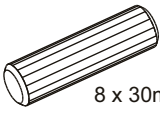



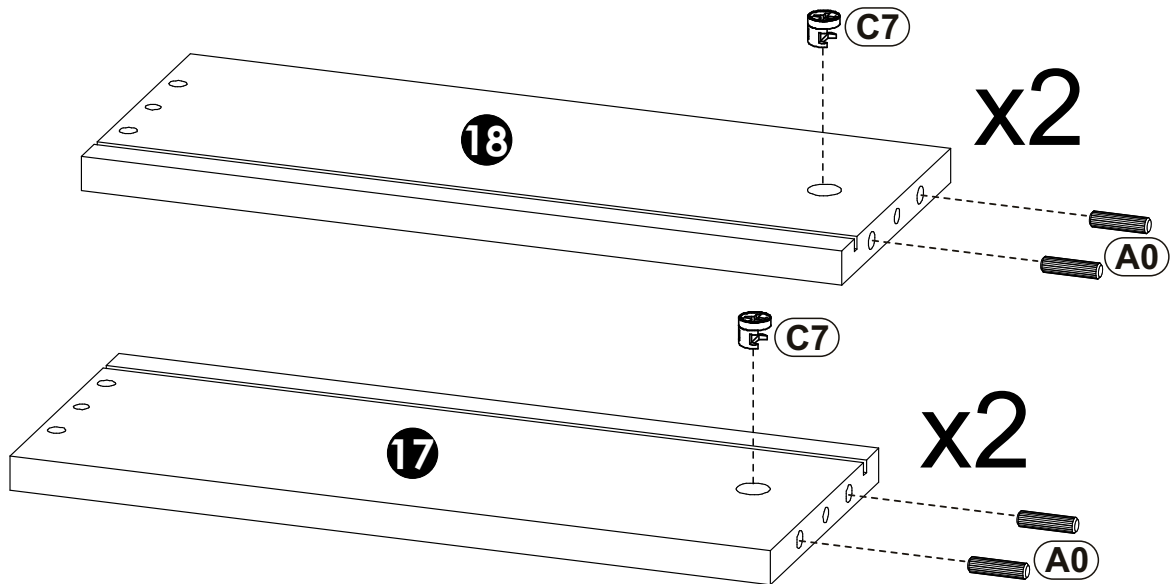
11

A0	 8 x 30mm	x8	C7		x2
-----------	---	-----------	-----------	---	-----------

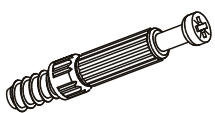



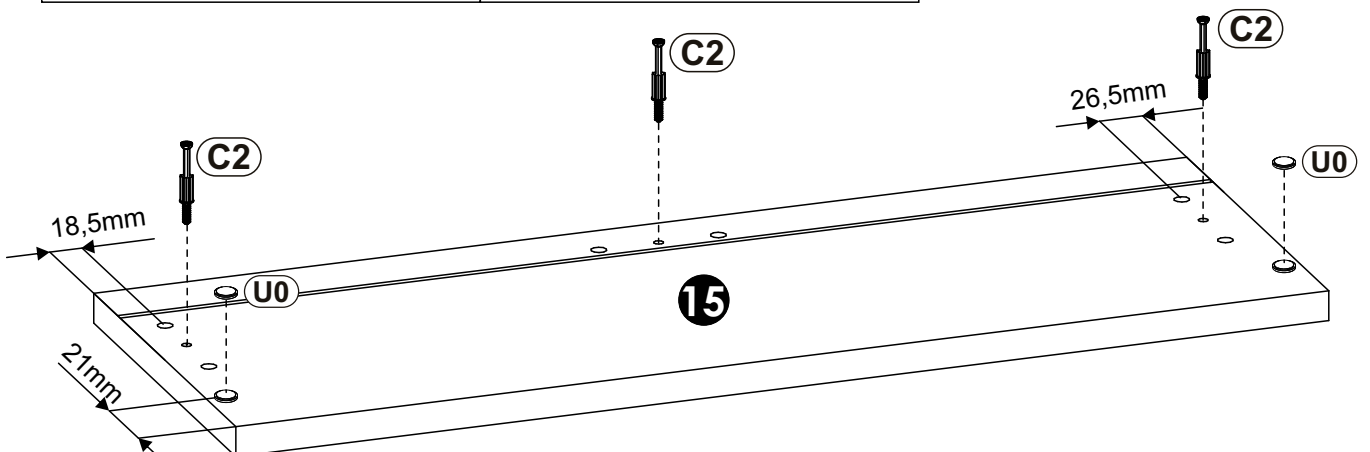
12

A0	 8 x 30mm	x8	C7		x4
-----------	---	-----------	-----------	---	-----------

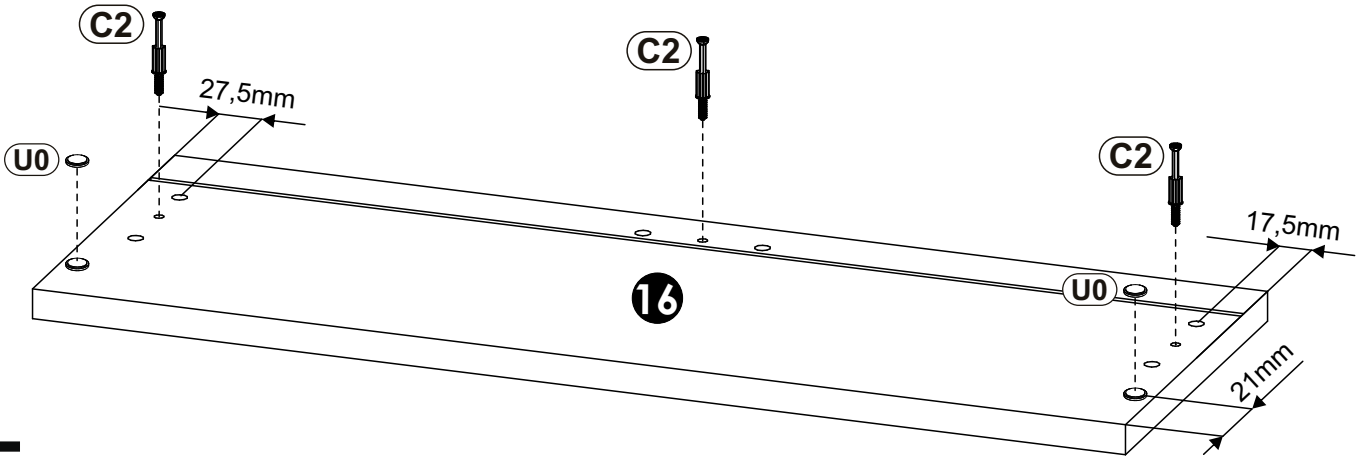
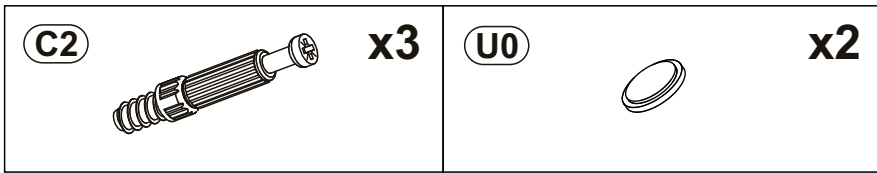


13

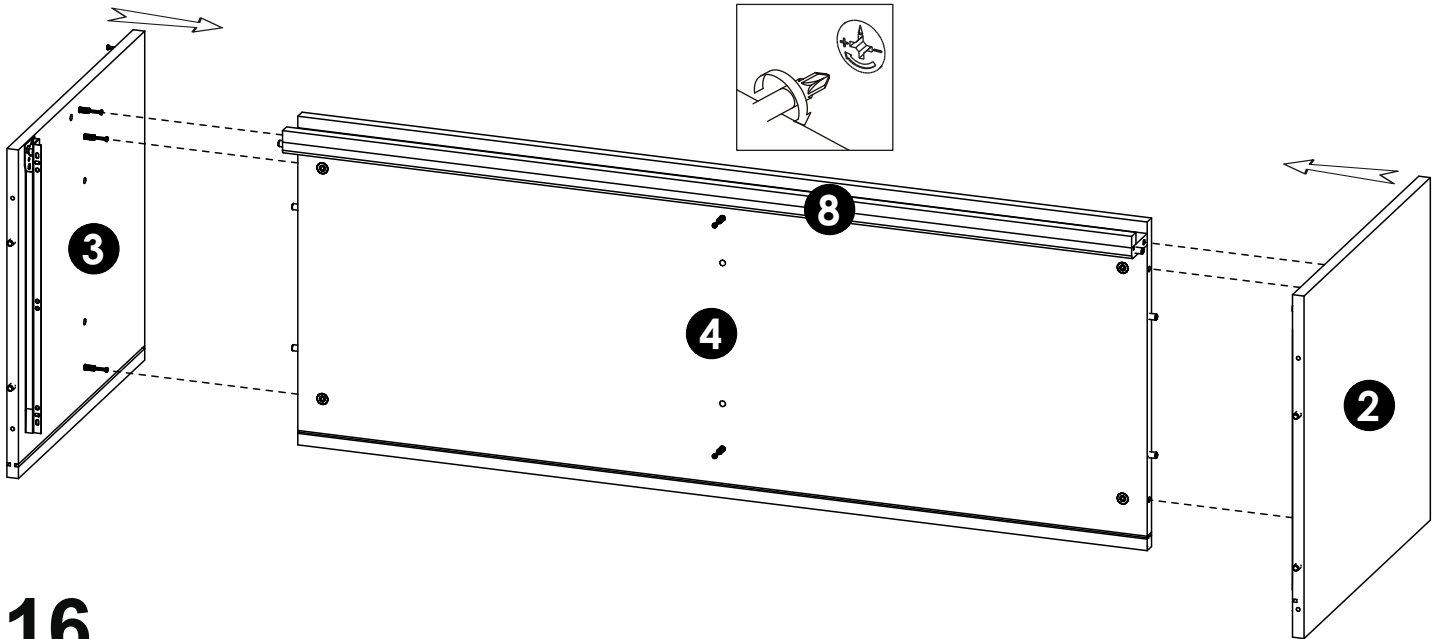
C2		x3	U0		x2
-----------	---	-----------	-----------	---	-----------



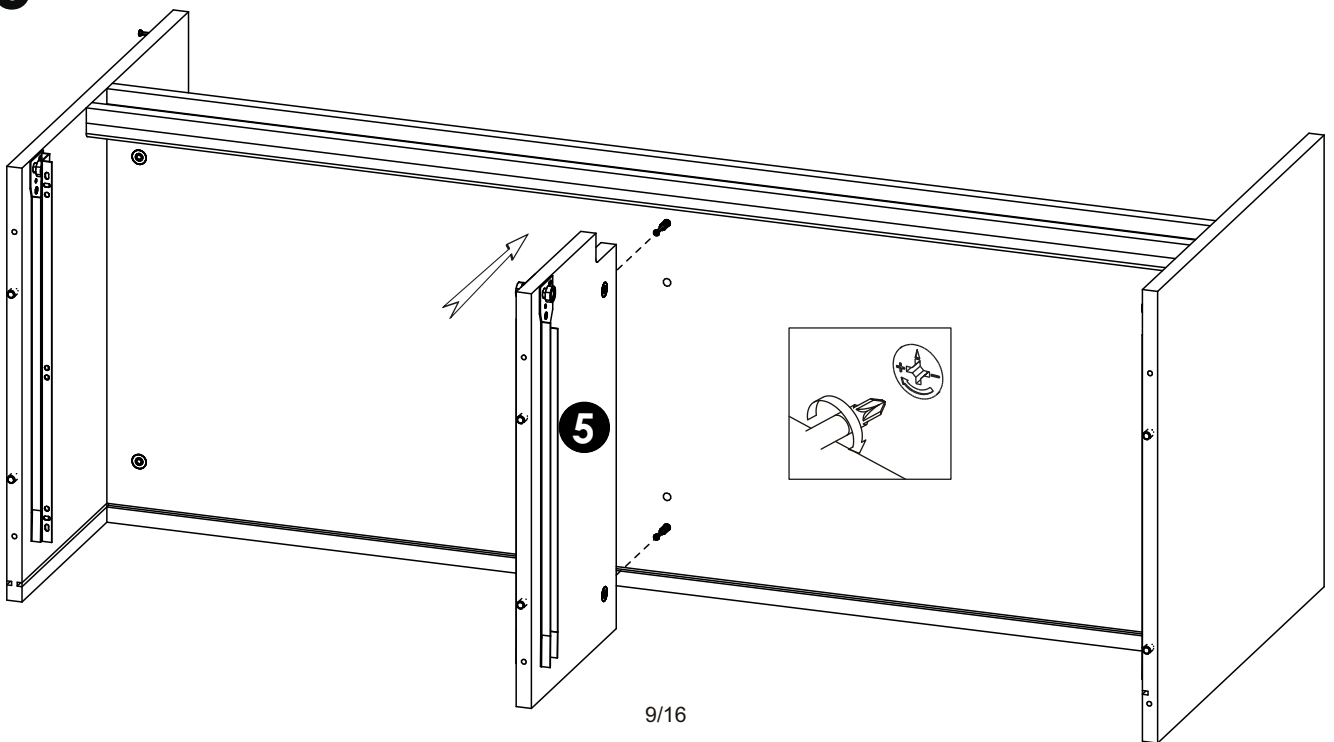
14



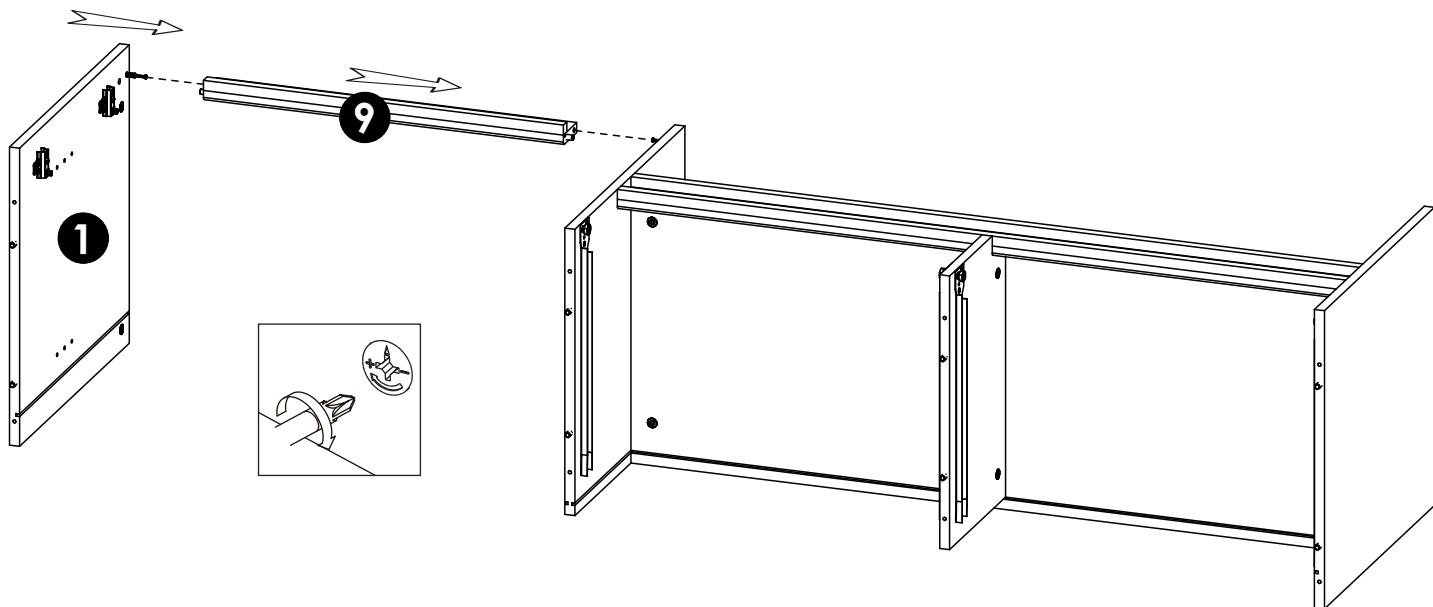
15



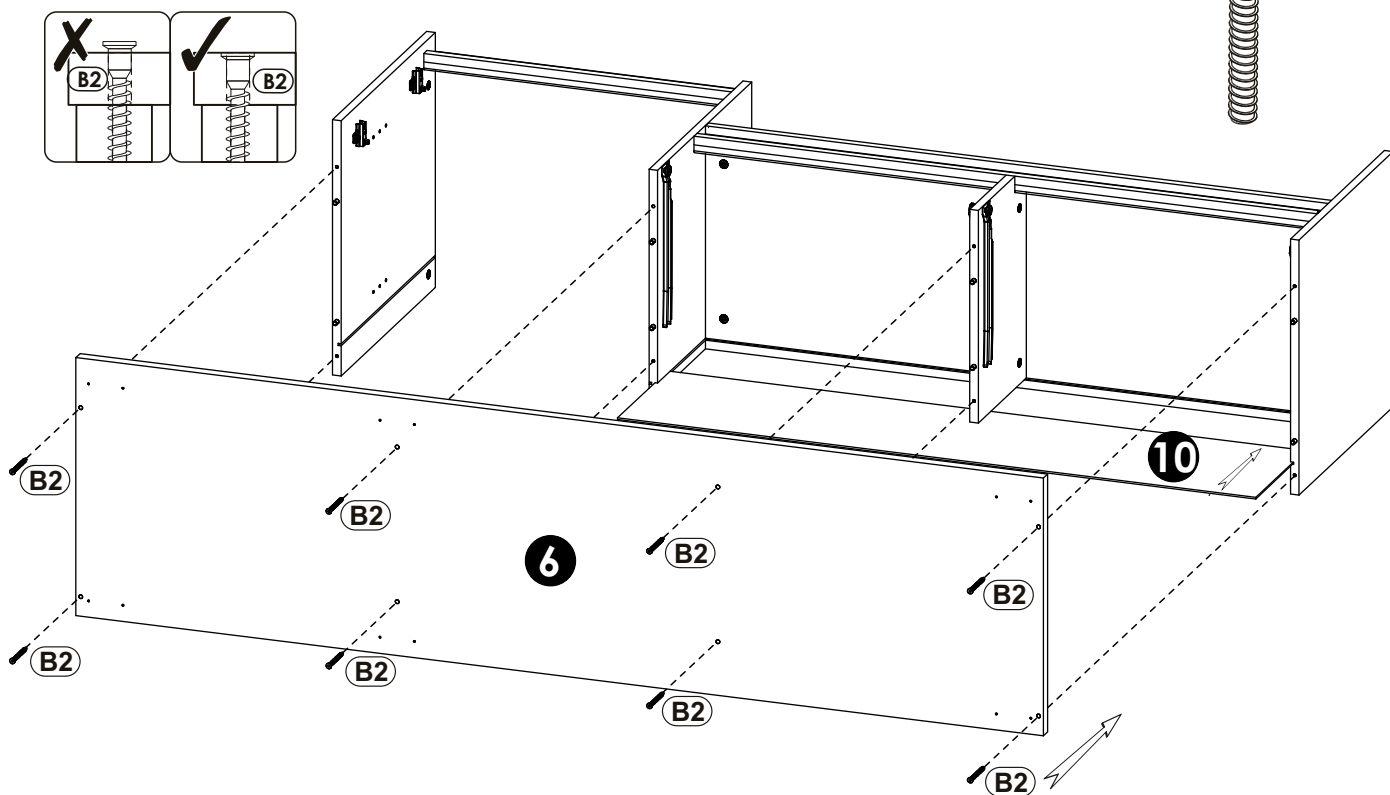
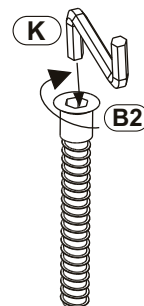
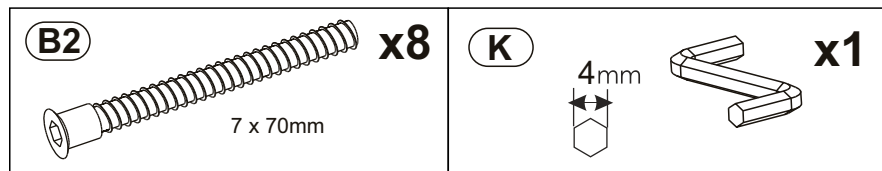
16



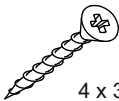
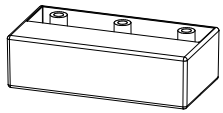
17

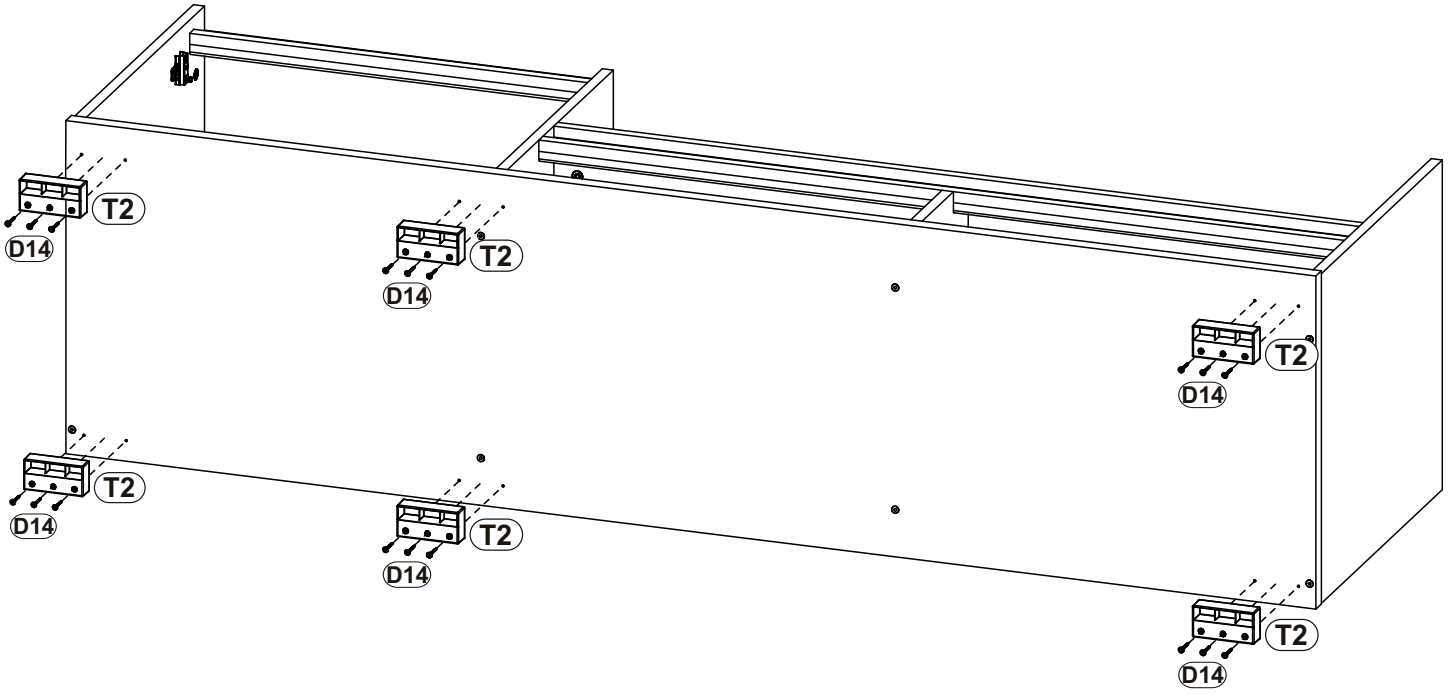


18

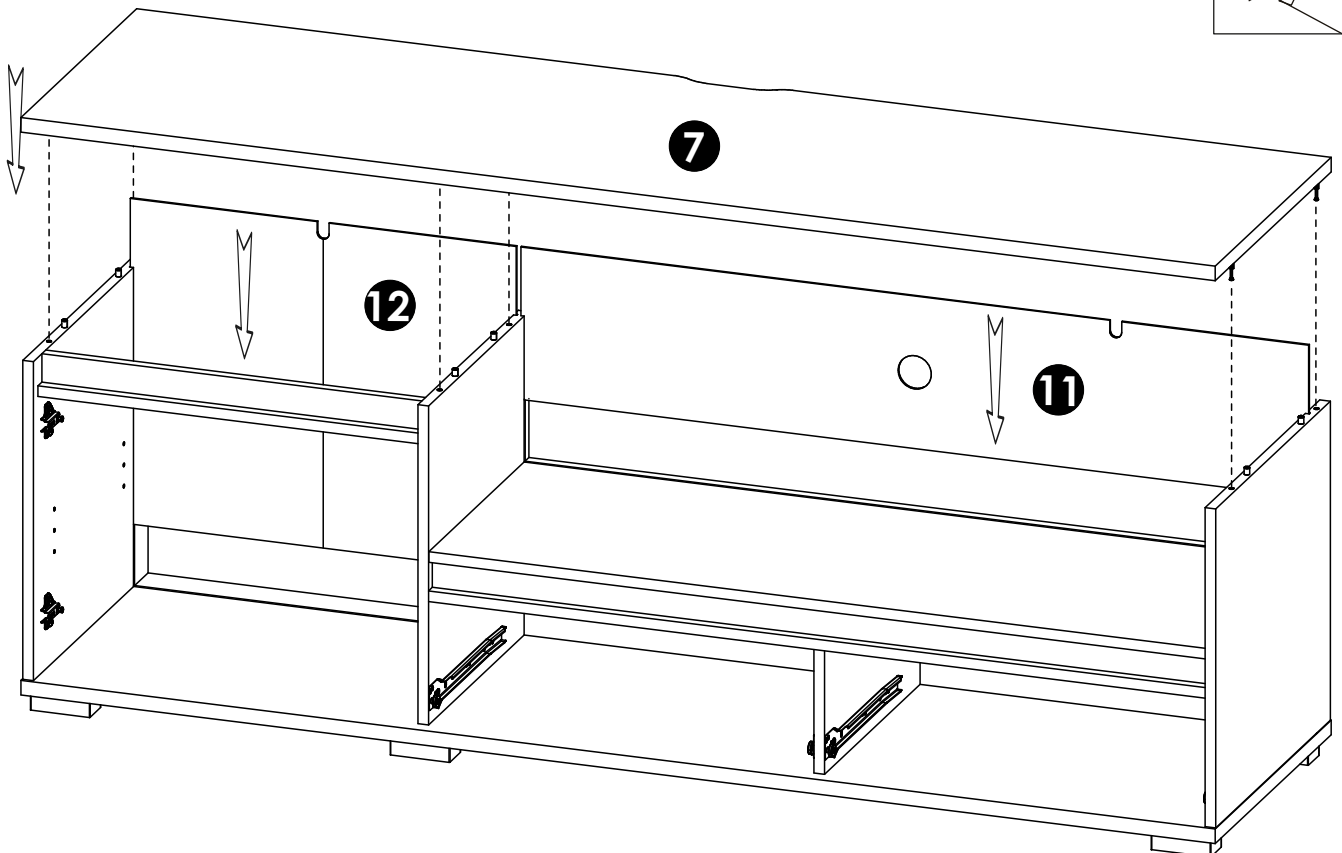
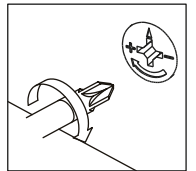


19

(D14)  4 x 35mm	x18	(T2) 	x6
---	------------	--	-----------



20



21

(D0)

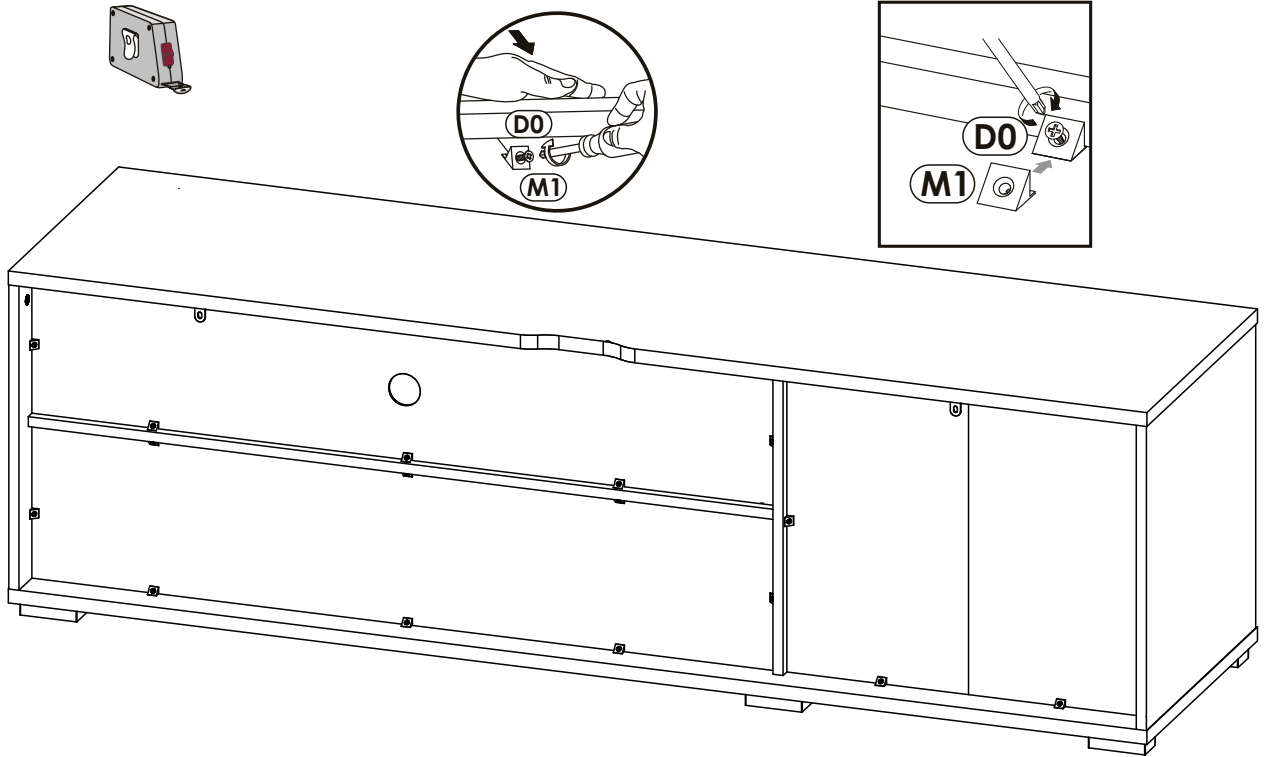
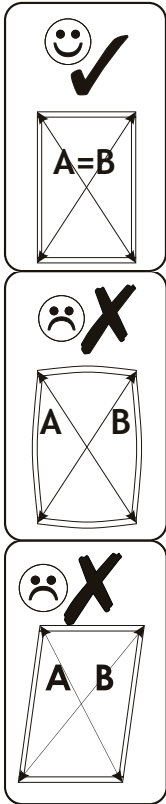


x22

(M1)

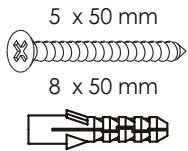


x22

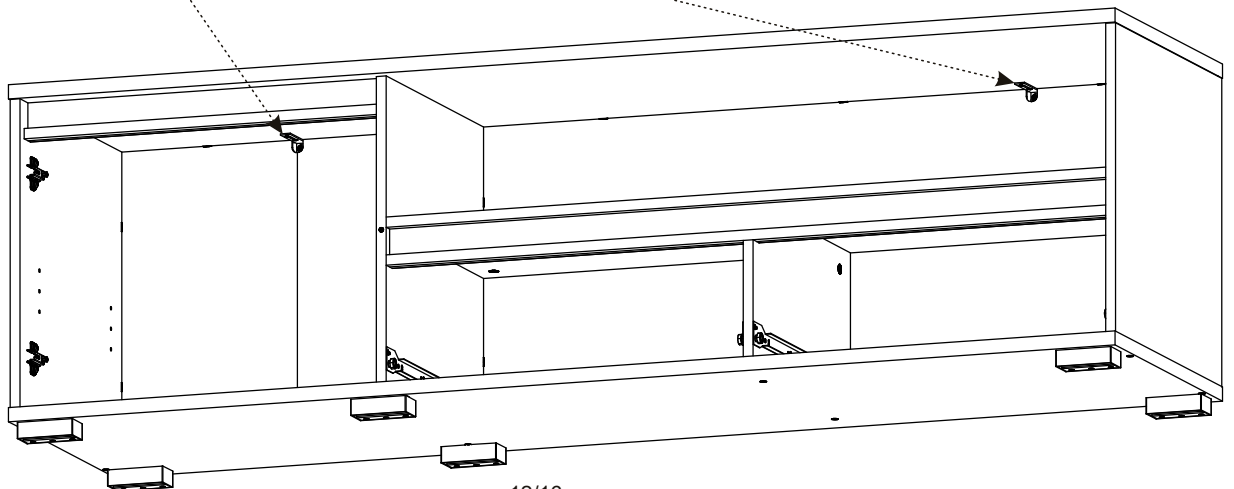
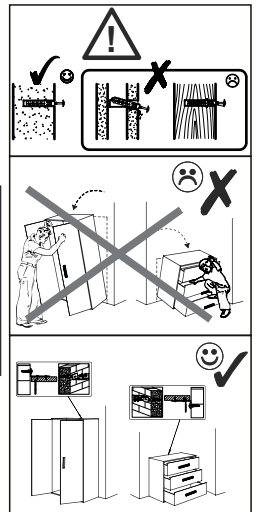
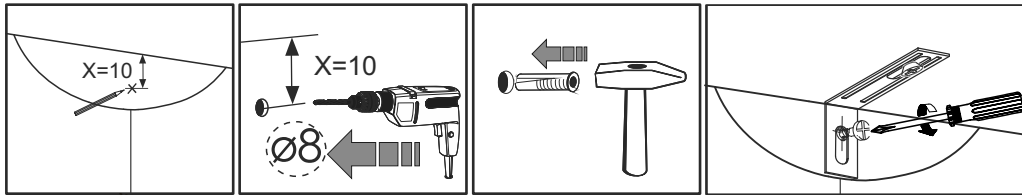
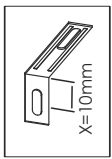


22

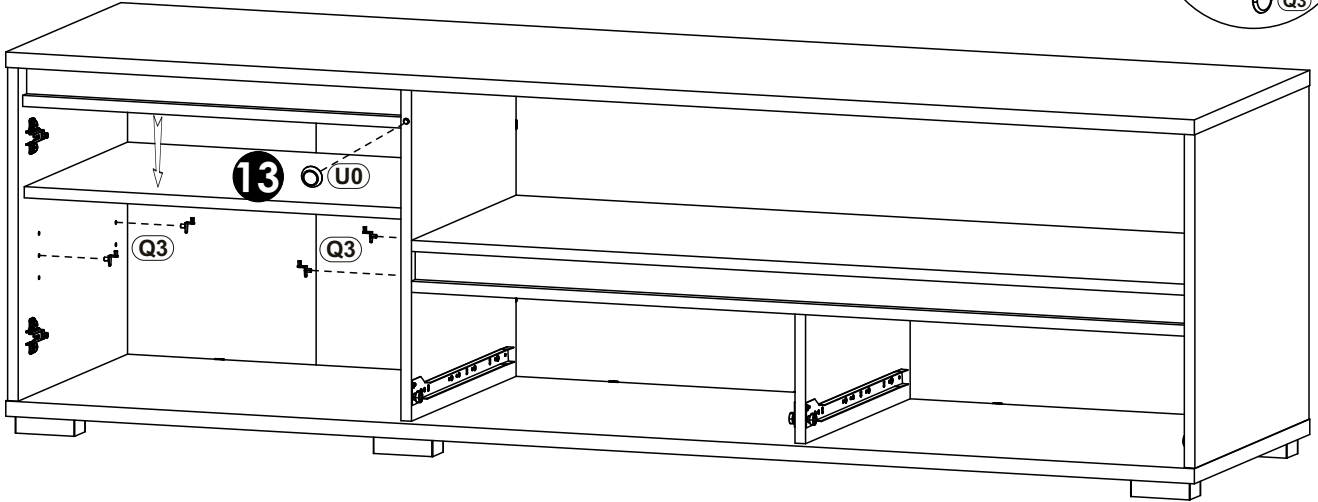
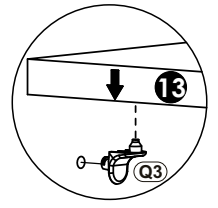
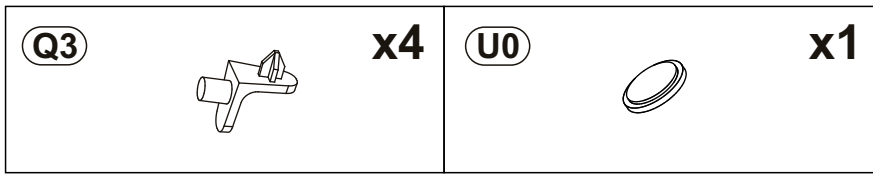
(E0)



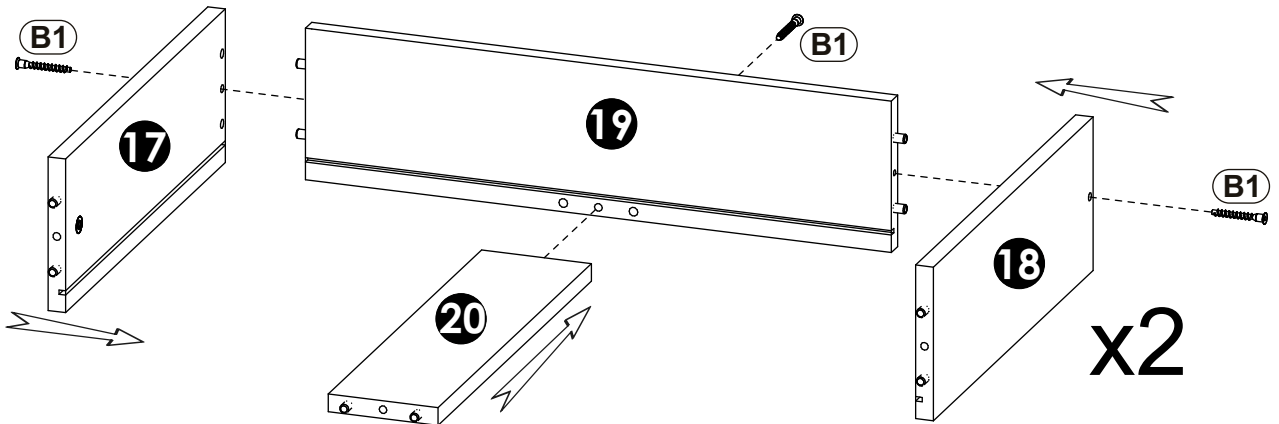
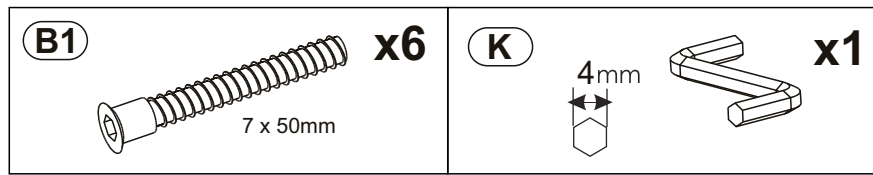
x2



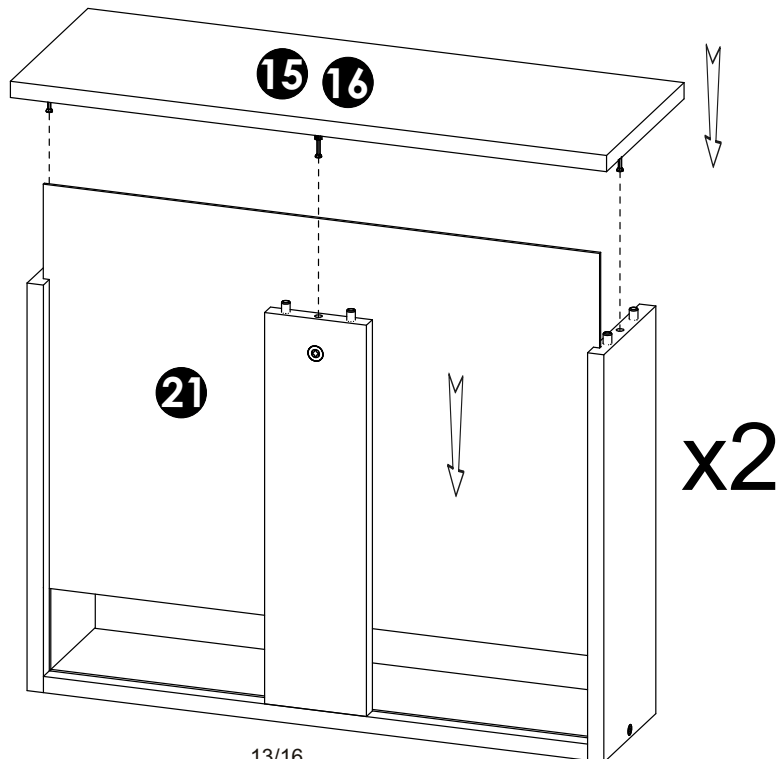
23





24

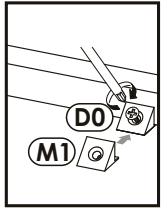


25

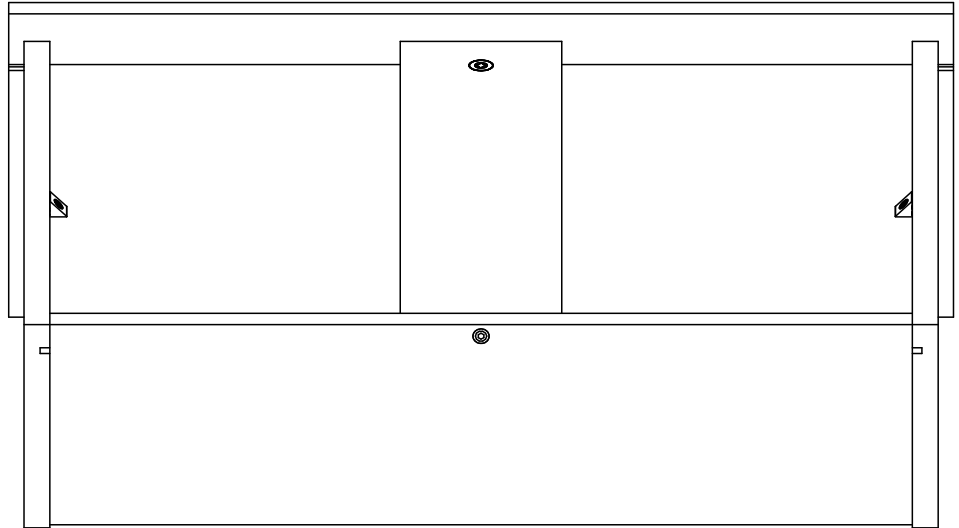
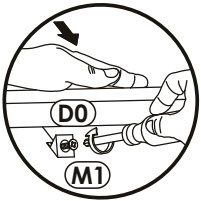
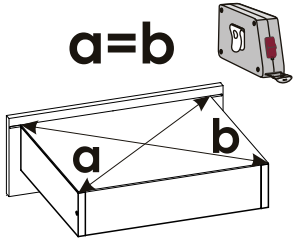


26



(D0)	 3 x 15mm	x4	(M1)		x4
-------------	---	-----------	-------------	---	-----------



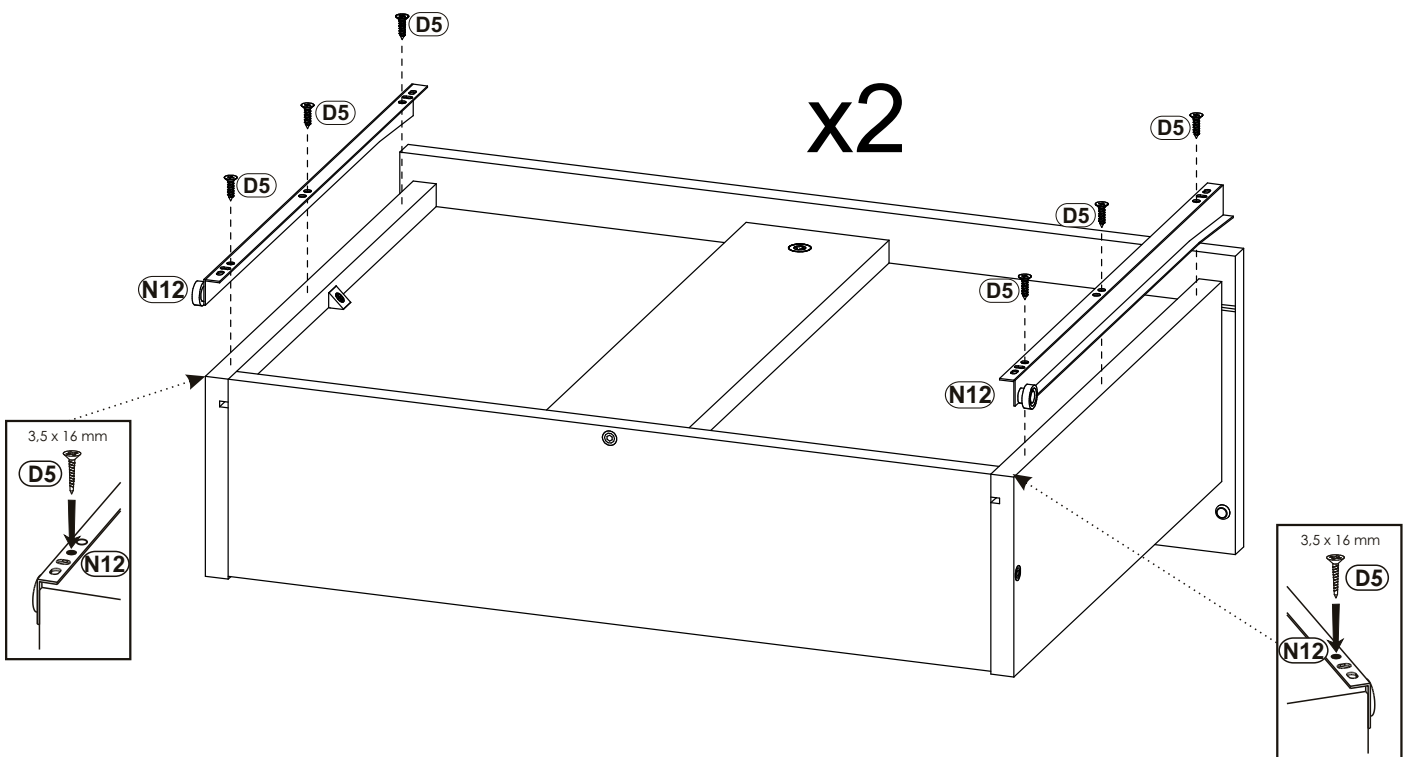
x2



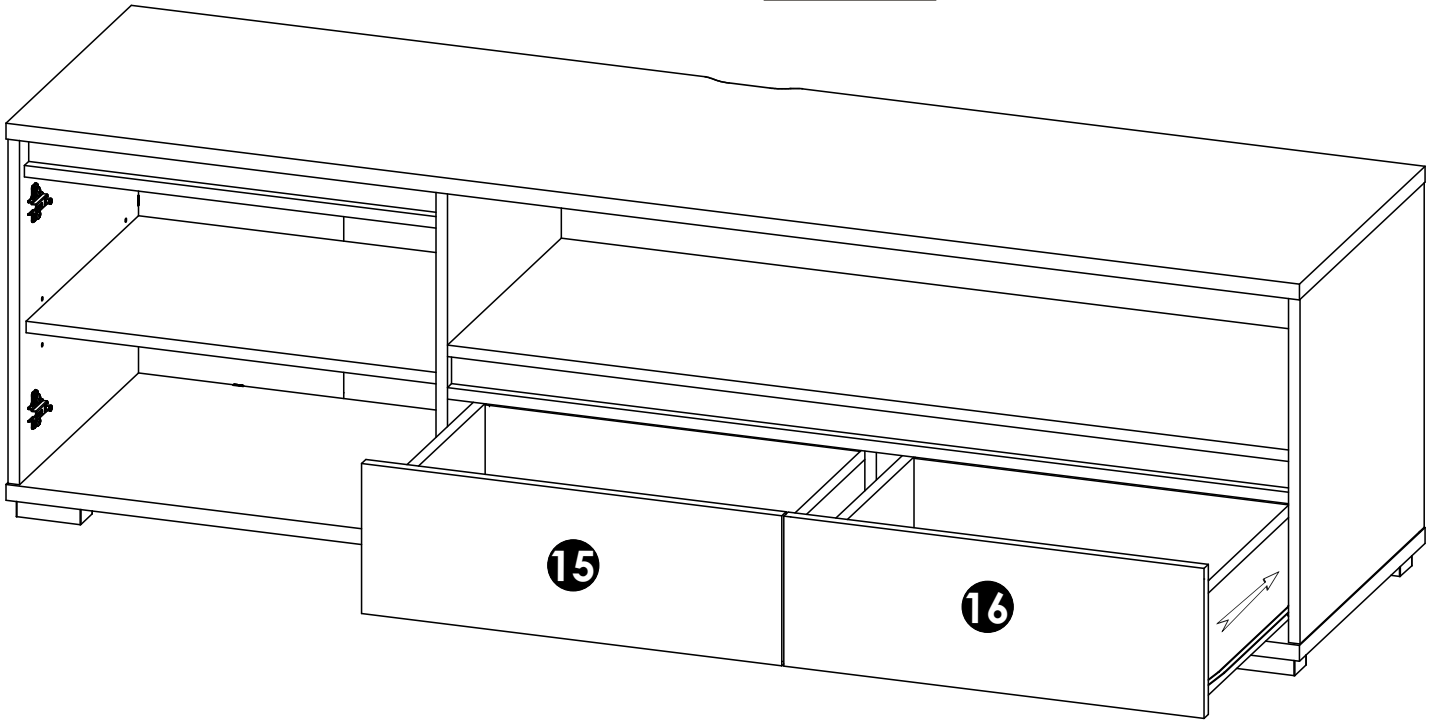
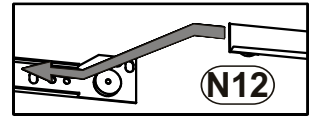
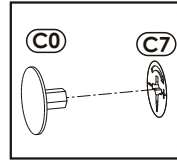
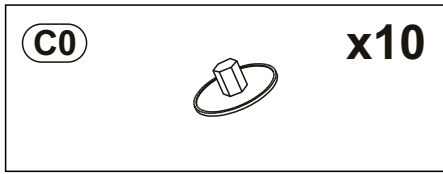
27

(D5)	 3.5 x 16mm	x12	(N12)	 L-350	x2
-------------	---	------------	--------------	--	-----------

x2



28



29

