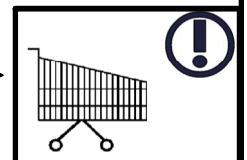
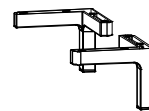
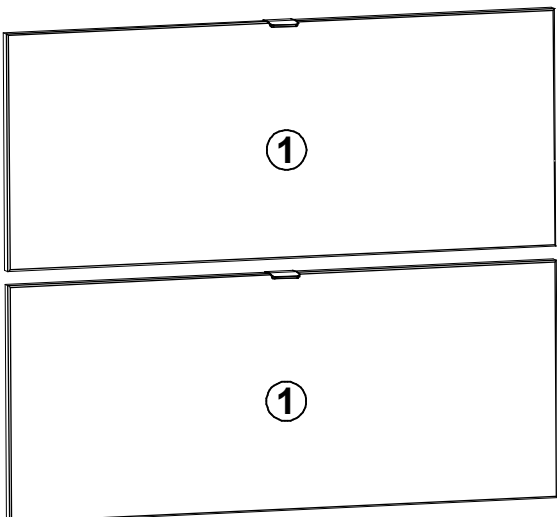
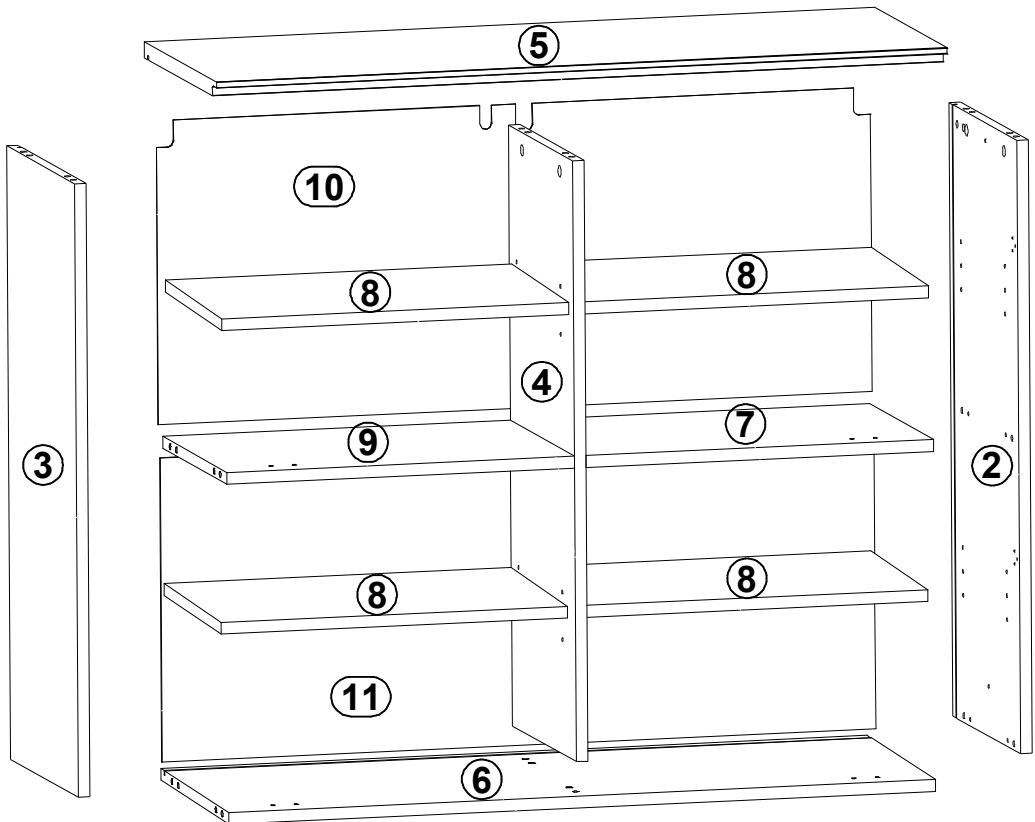
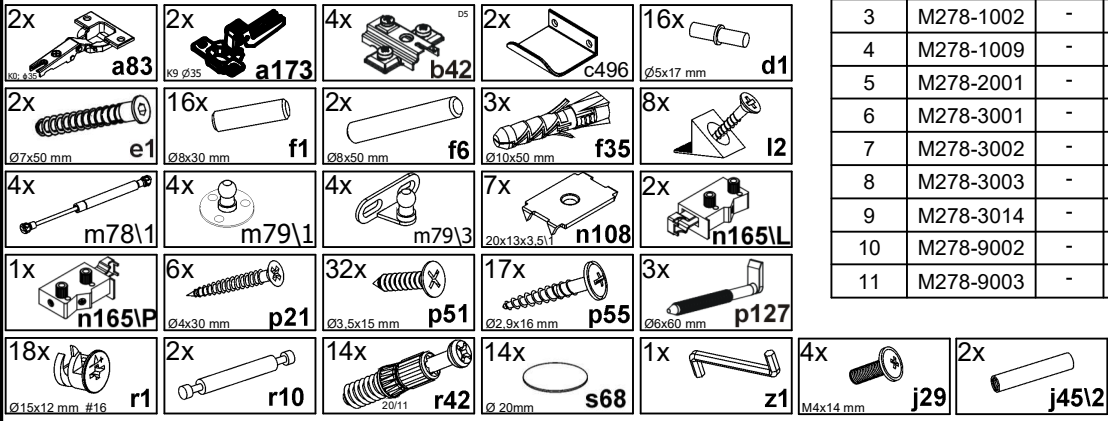


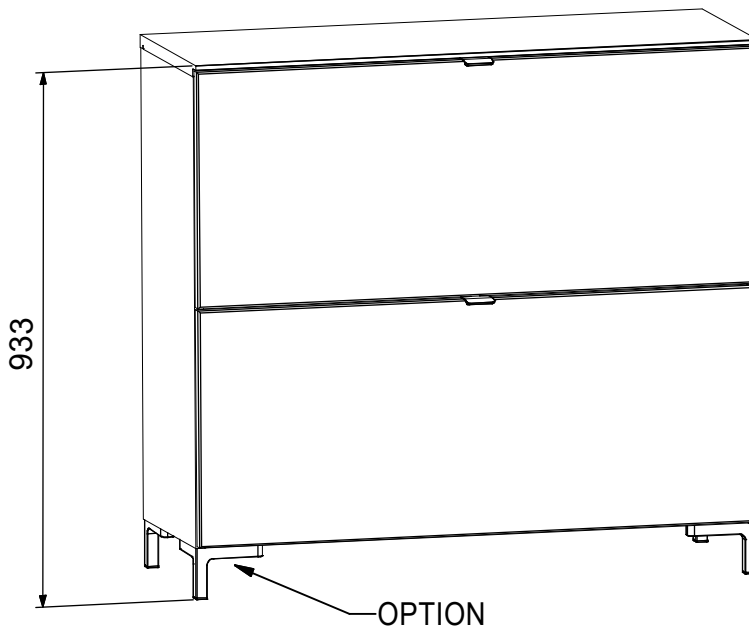
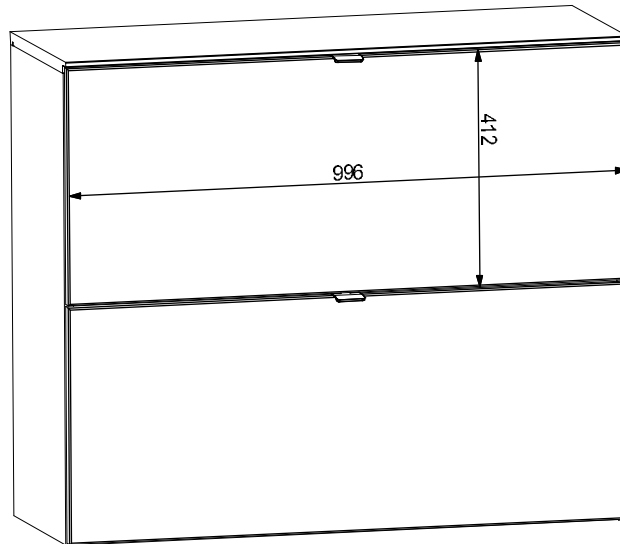
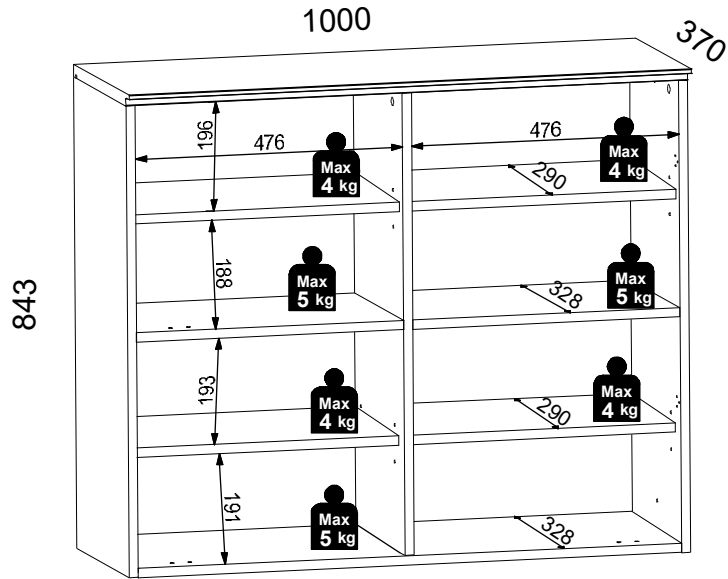
OPTION
99 03 01 95





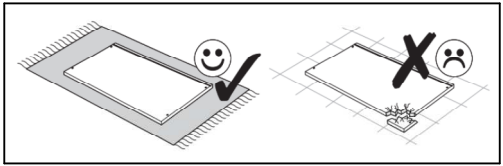
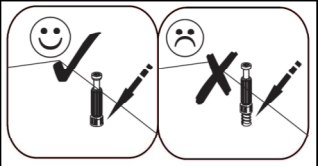
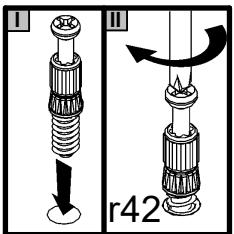
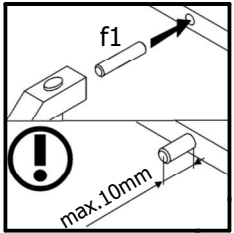
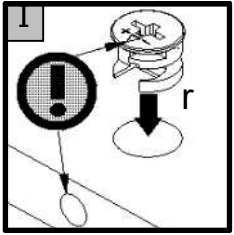
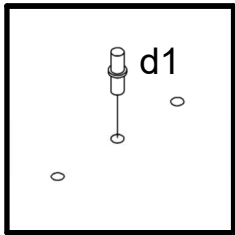
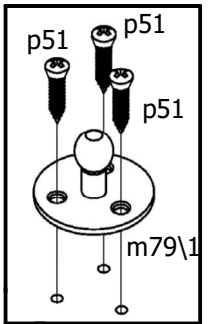
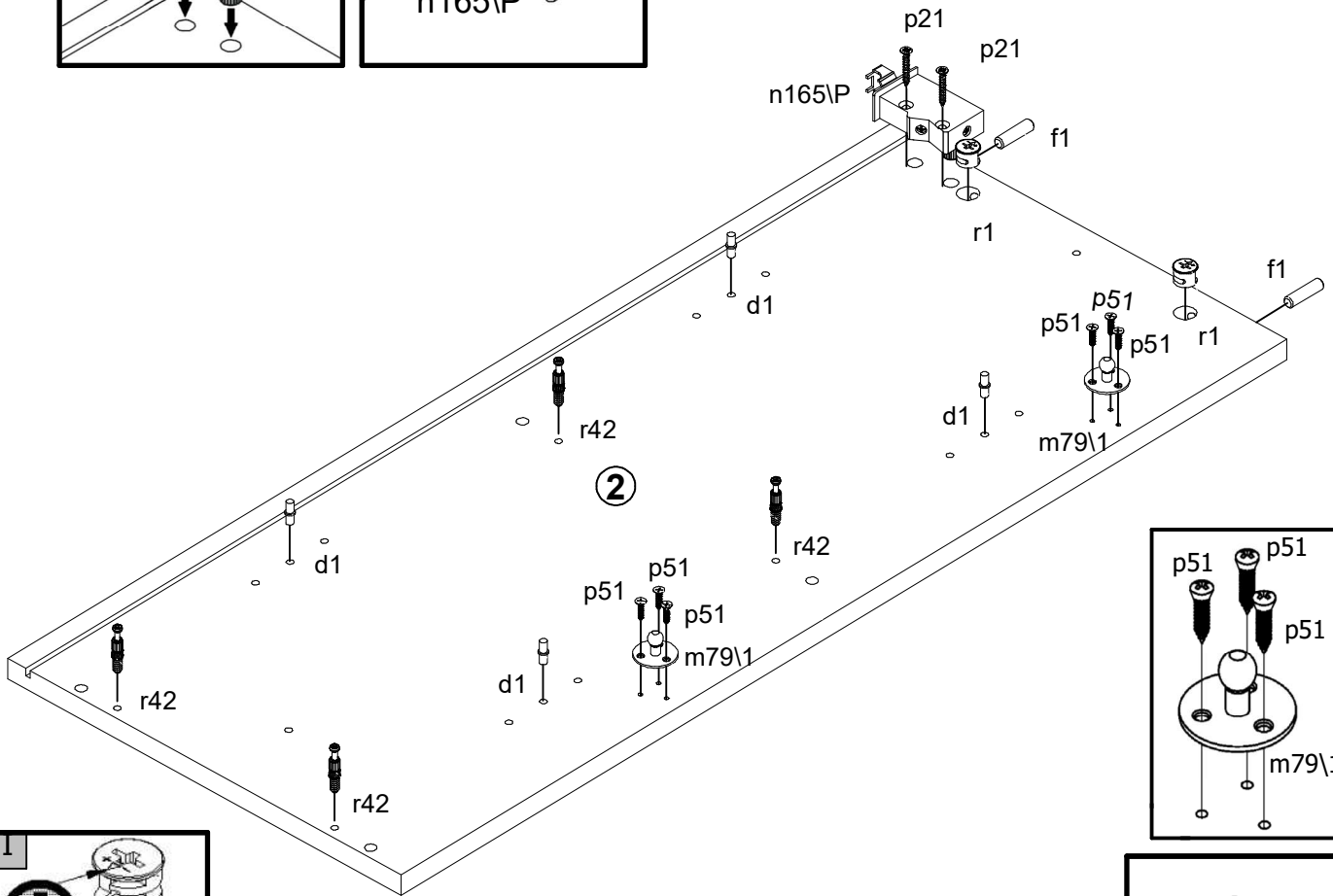
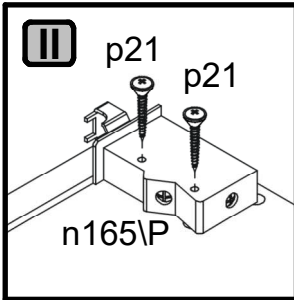
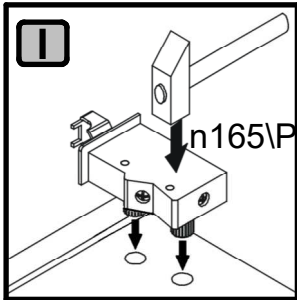
A	B1	B2	C1	C2	C3	C4	D
1	M278-0010	-.1	996	412	19	2	2/2
2	M278-1001	-	821	348	16	1	1/2
3	M278-1002	-	821	348	16	1	1/2
4	M278-1009	-	804,5	328	16	1	2/2
5	M278-2001	-	1001	370	22	1	1/2
6	M278-3001	-	968	348	16	1	1/2
7	M278-3002	-	476	328	16	1	1/2
8	M278-3003	-	475	290	16	4	1/2
9	M278-3014	-	476	328	16	1	1/2
10	M278-9002	-	978	407	2,5	1	2/2
11	M278-9003	-	978	407	2,5	1	2/2





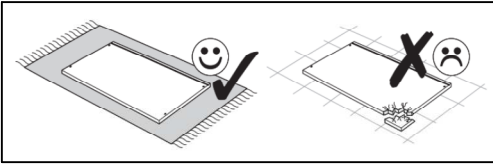
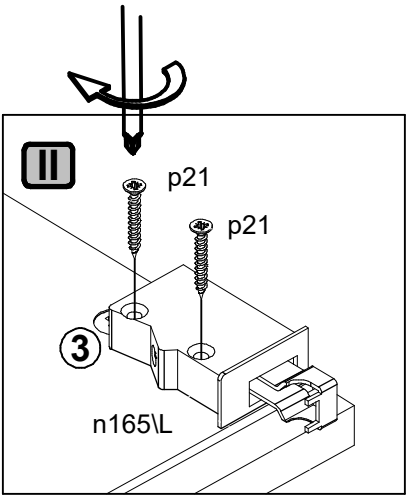
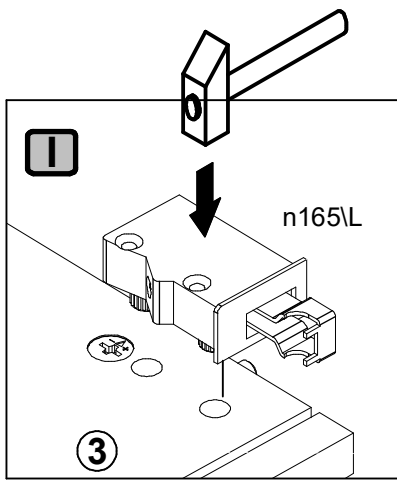
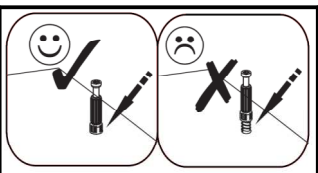
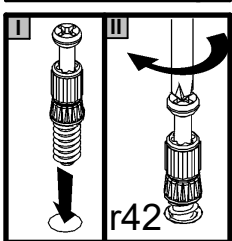
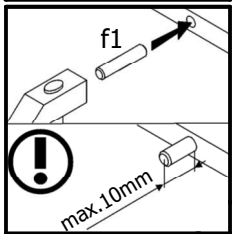
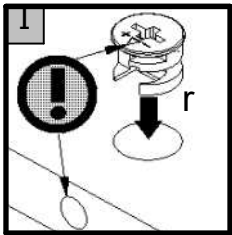
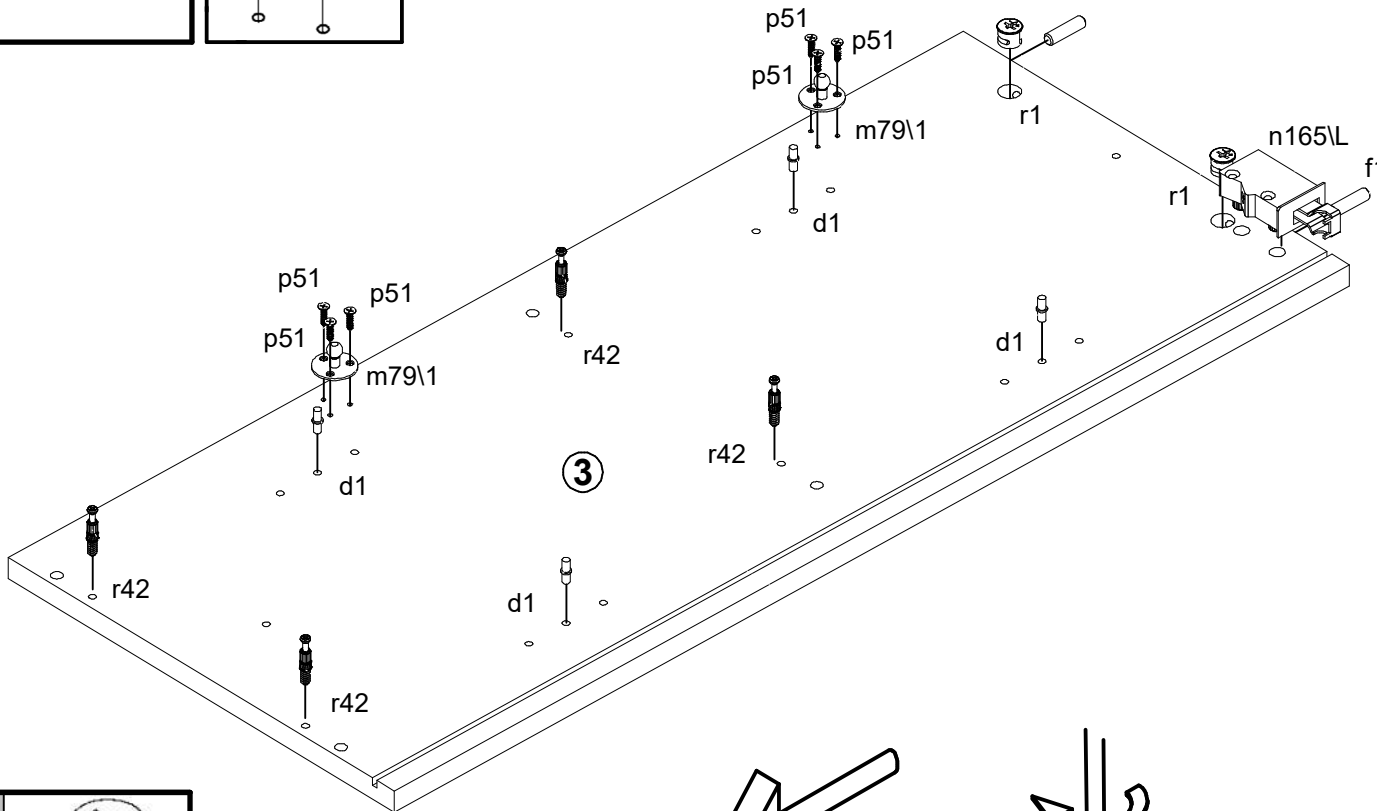
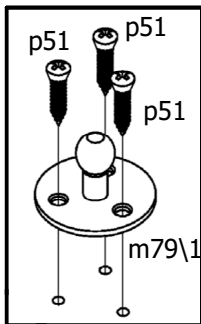
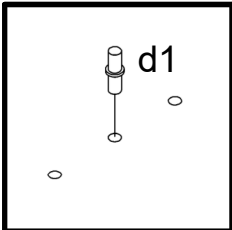
1 ▶

- 2x $\varnothing 8 \times 30$ mm f1
- 2x $\varnothing 15 \times 12$ mm #16 r1
- 4x 20/11 r42
- 2x m79\1
- 6x $\varnothing 3.5 \times 15$ mm p51
- 4x $\varnothing 5 \times 17$ mm d1
- 1x n165\P
- 2x $\varnothing 4 \times 30$ mm p21



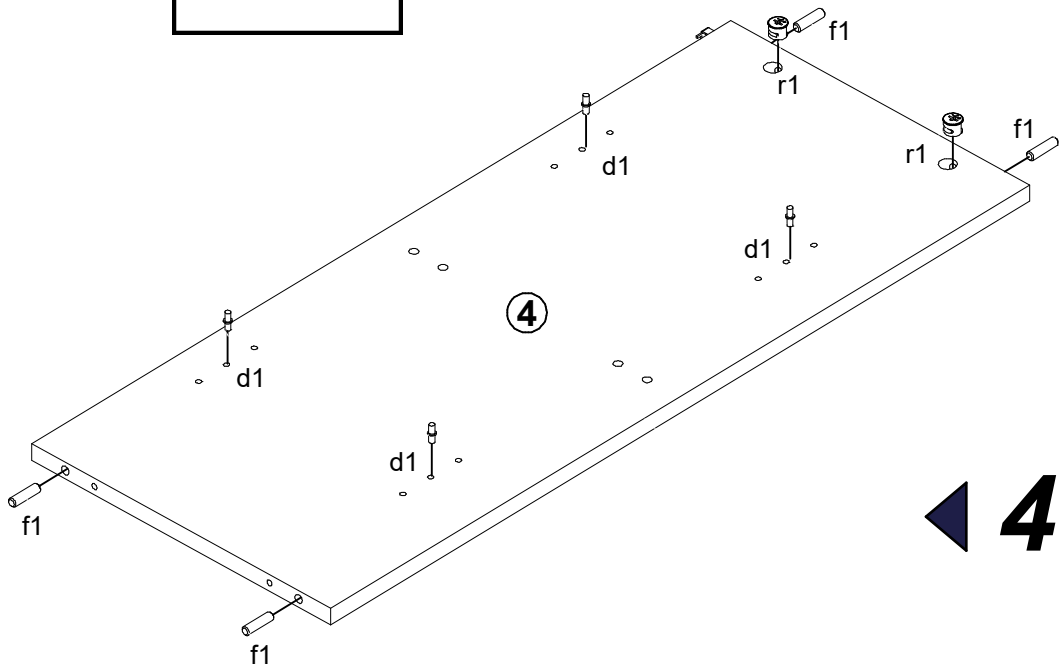
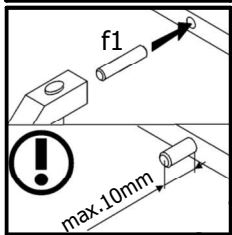
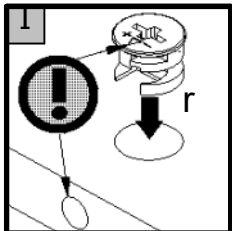
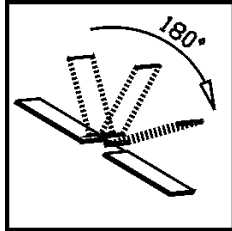
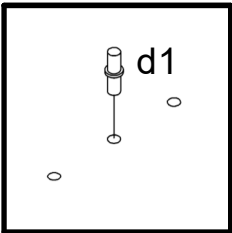
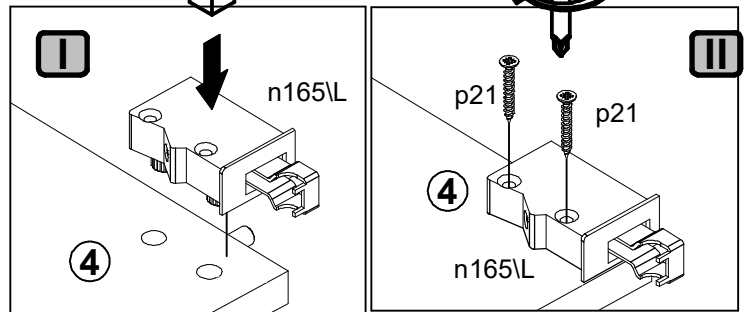
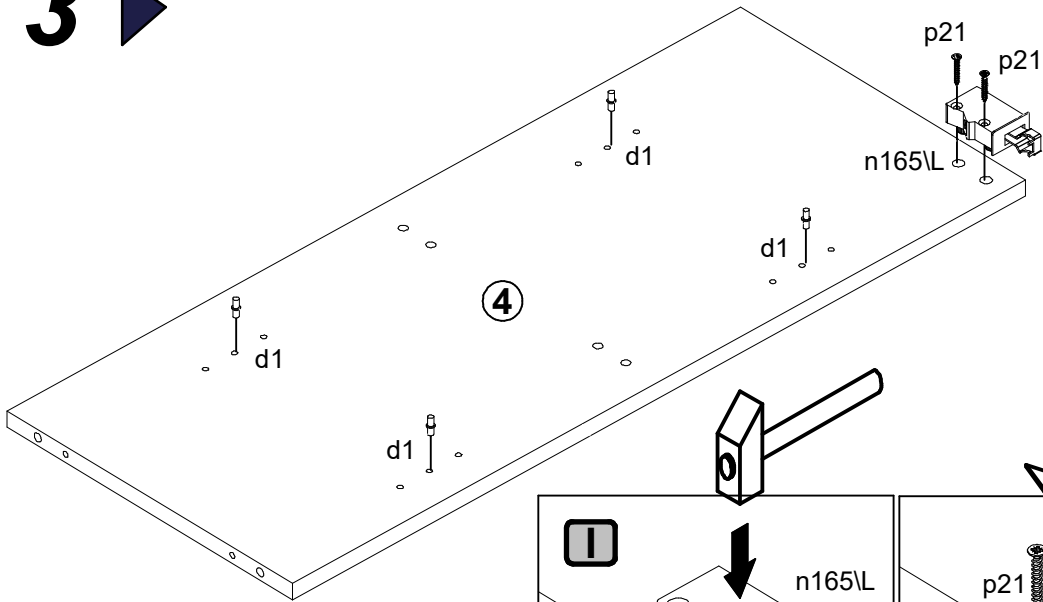
2 ▶

- 2x $\varnothing 8 \times 30$ mm f1
- 2x $\varnothing 15 \times 12$ mm #16 r1
- 4x 20/11 r42
- 2x m79\1
- 6x $\varnothing 3.5 \times 15$ mm p51
- 4x $\varnothing 5 \times 17$ mm d1
- 1x n165\L
- 2x $\varnothing 4 \times 30$ mm p21

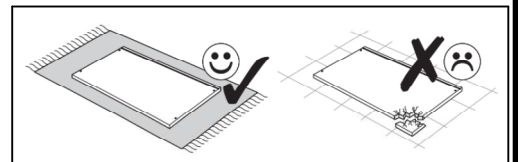


4X Ø8x30 mm f1	2x Ø15x12 mm #16 r1	1x n165L	8X Ø5x17 mm d1
			2x Ø4x30 mm p21

3 ▶

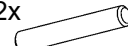



▶ 4



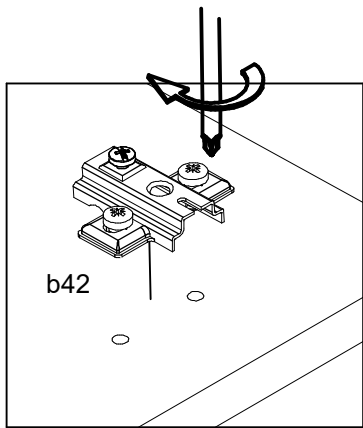
5 ▶

2x  f1
Ø8x30 mm

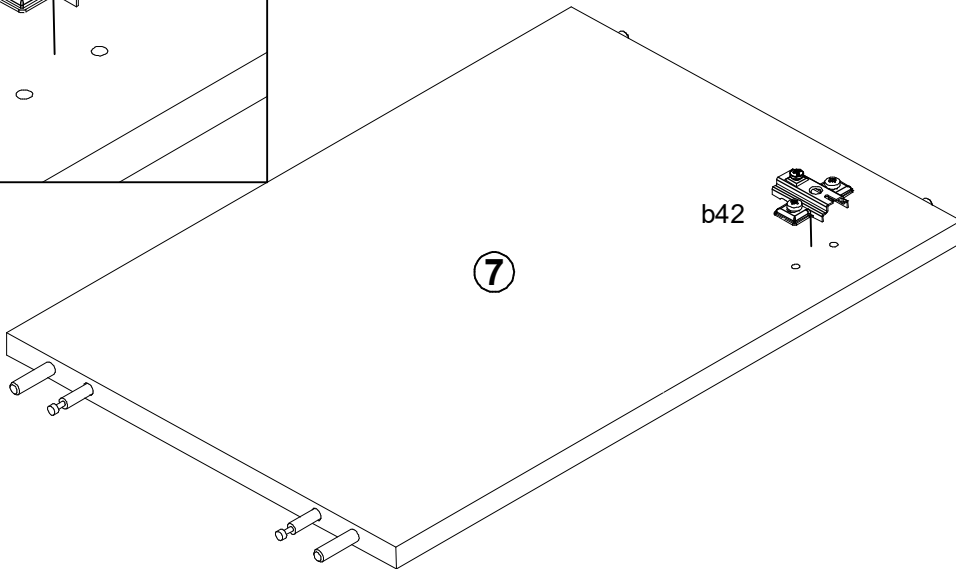
2x  f6
Ø8x50 mm

1x  b42

4x  r1
Ø15x12 mm #16

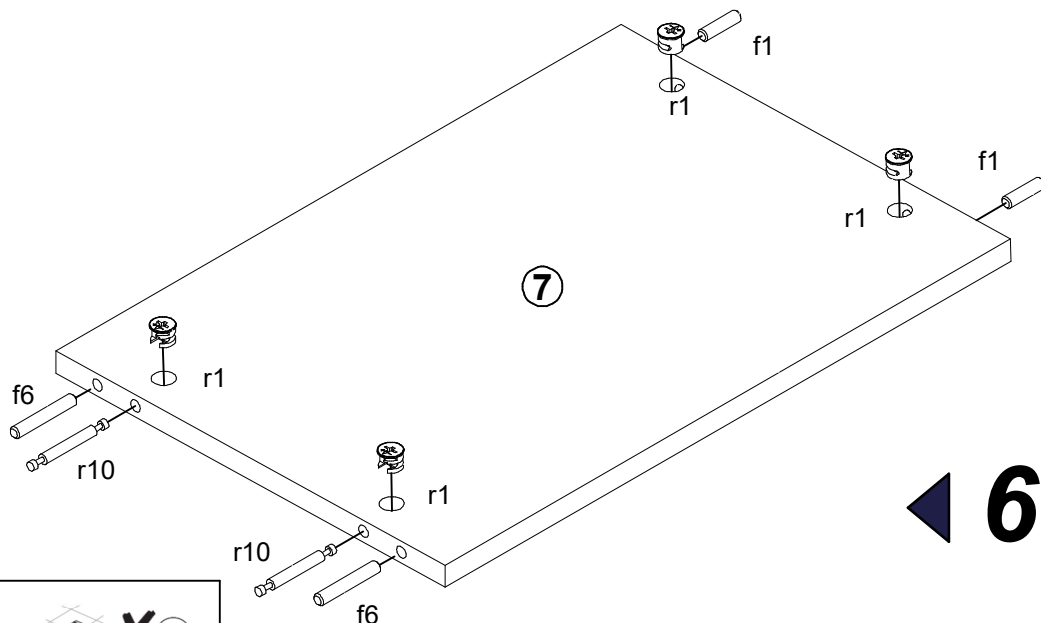
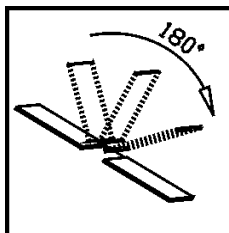
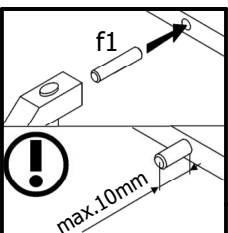
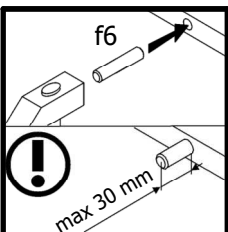
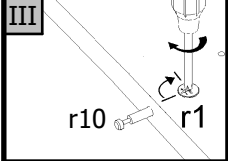
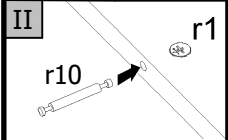
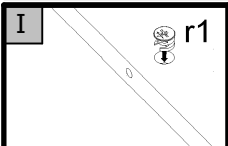
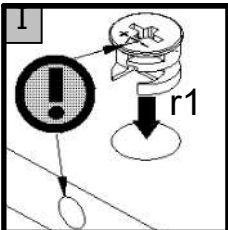


b42



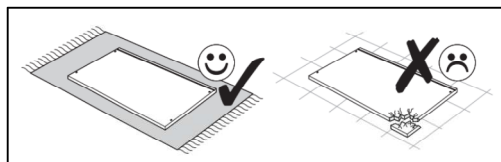
b42

7

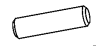



7

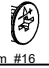
◀ 6

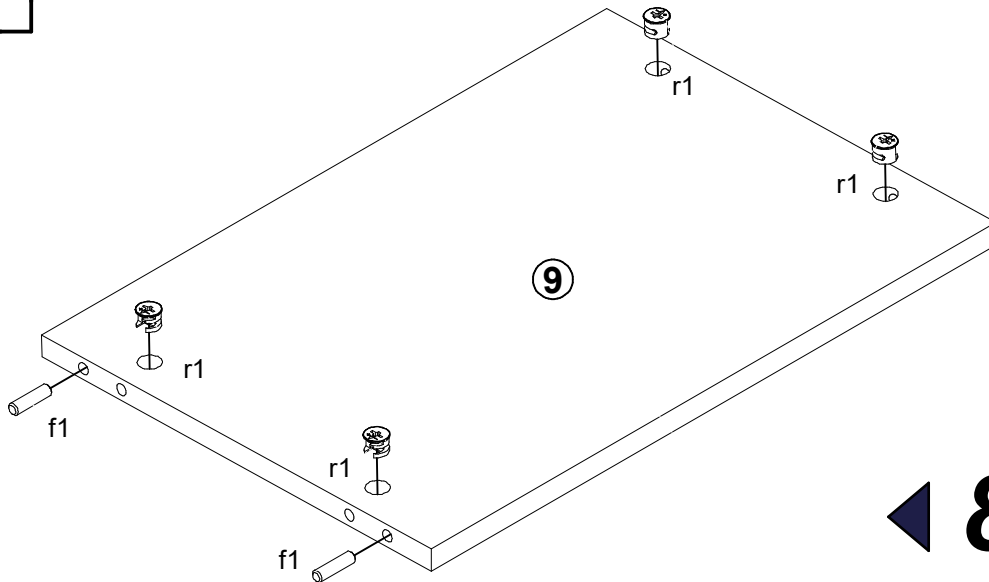
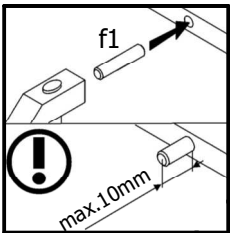
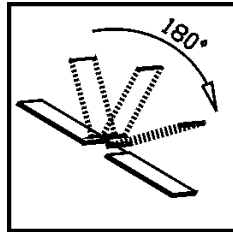
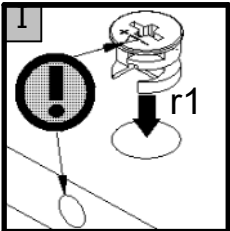
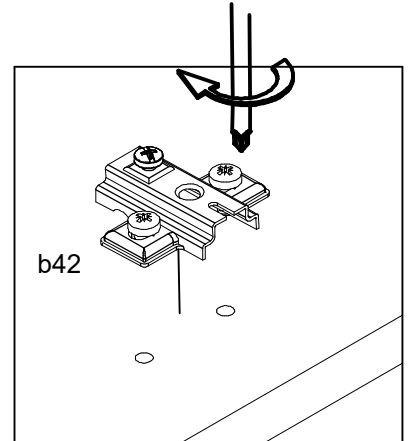
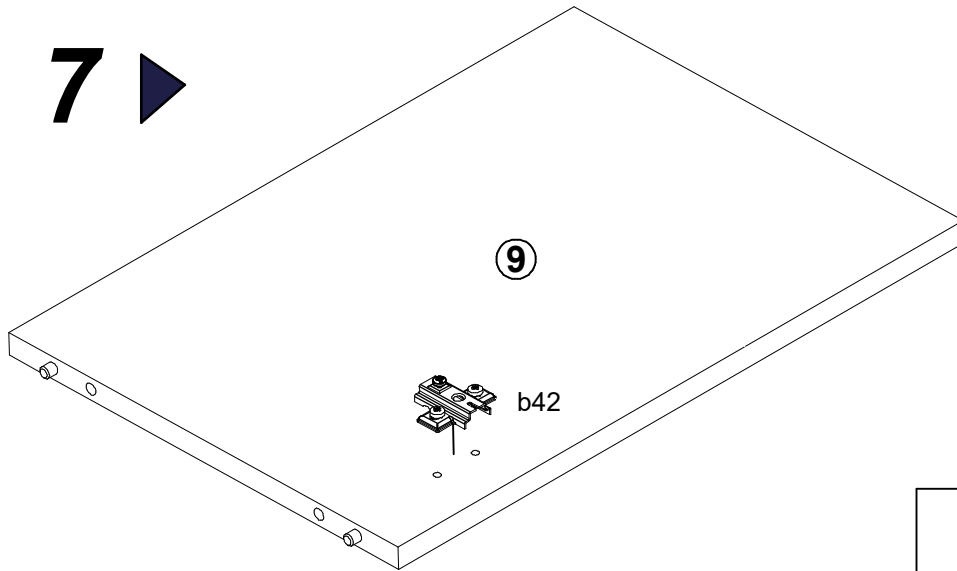


7 ▶

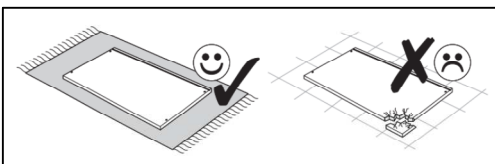
2x  f1
Ø8x30 mm

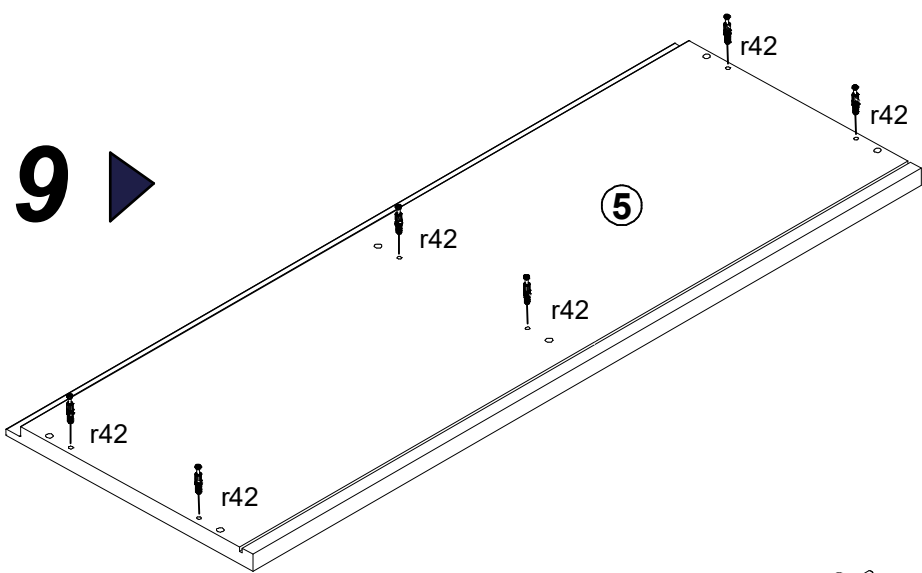
1x  b42





4x  r1
Ø15x12 mm #16



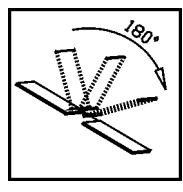
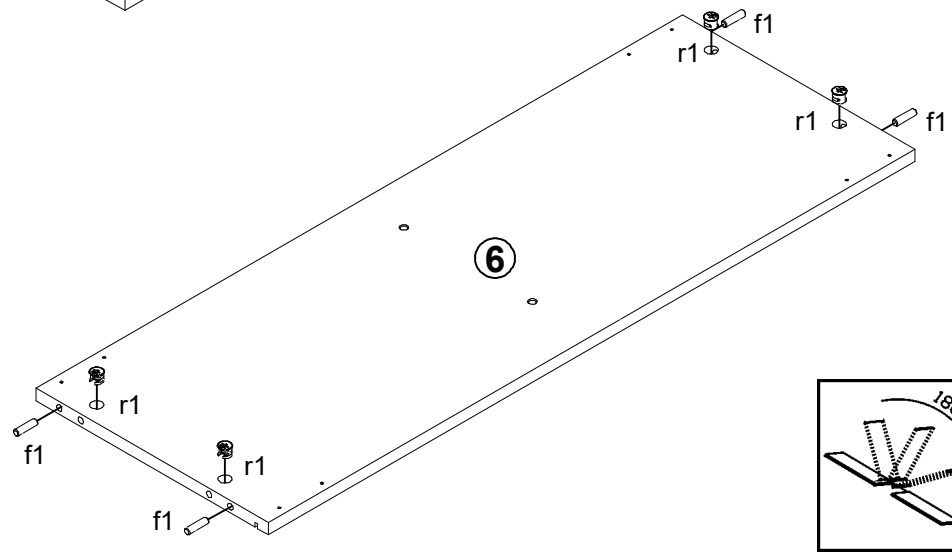
◀ 8



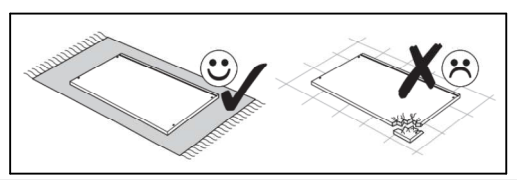
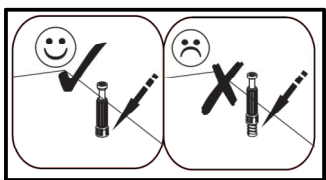
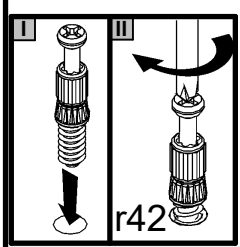
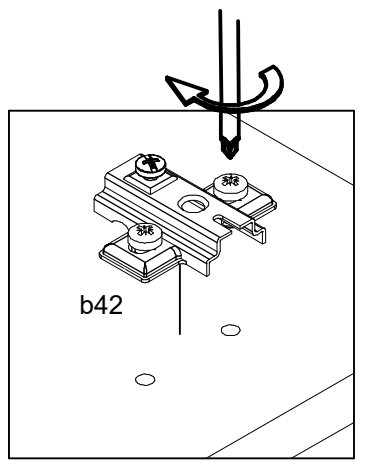
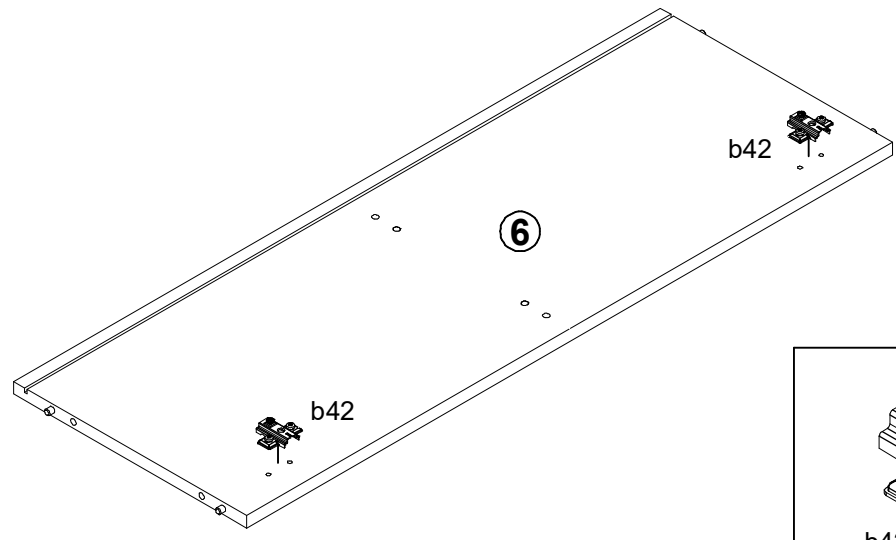


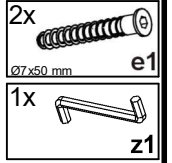
- 6x  **r42**
- 4x  **f1**
Ø8x30 mm
- 4x  **r1**
Ø15x12 mm #16
- 2x  **b42**

10 ▶

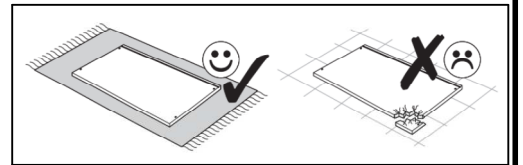
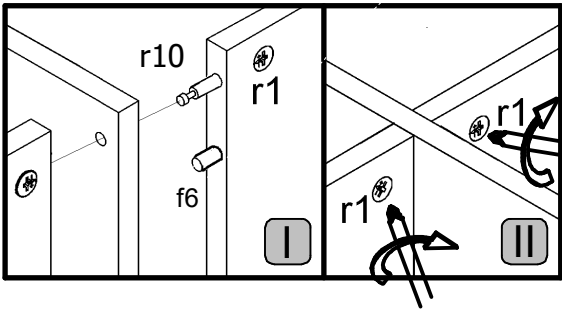
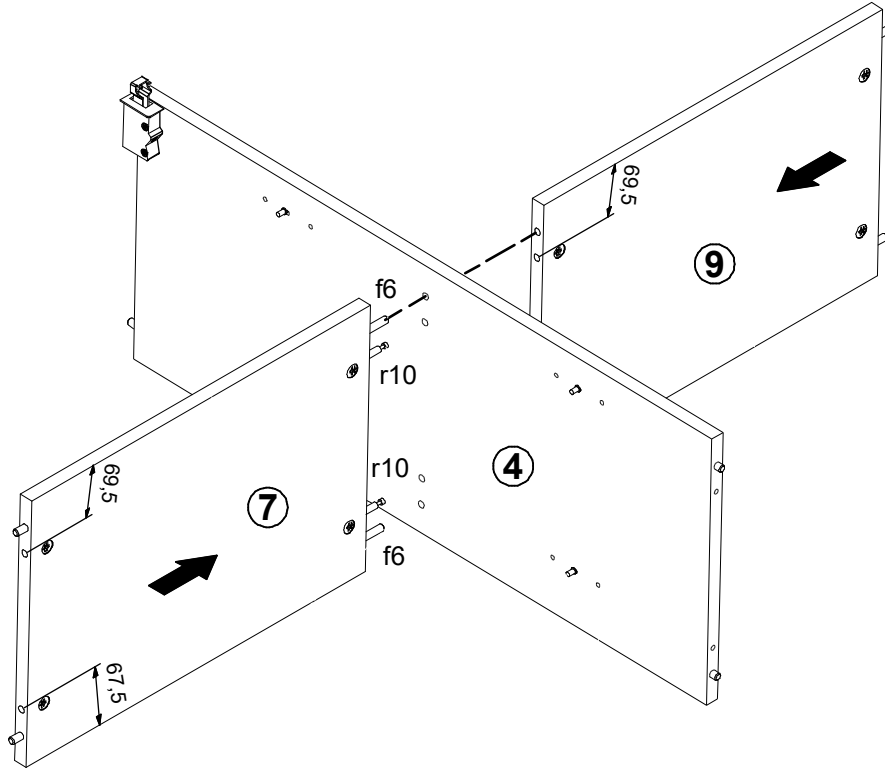


11 ▶

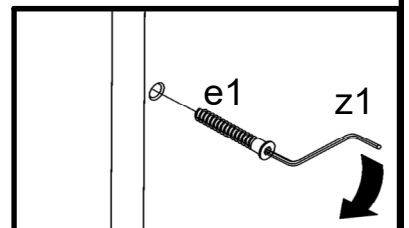
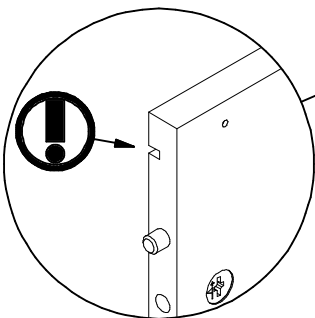
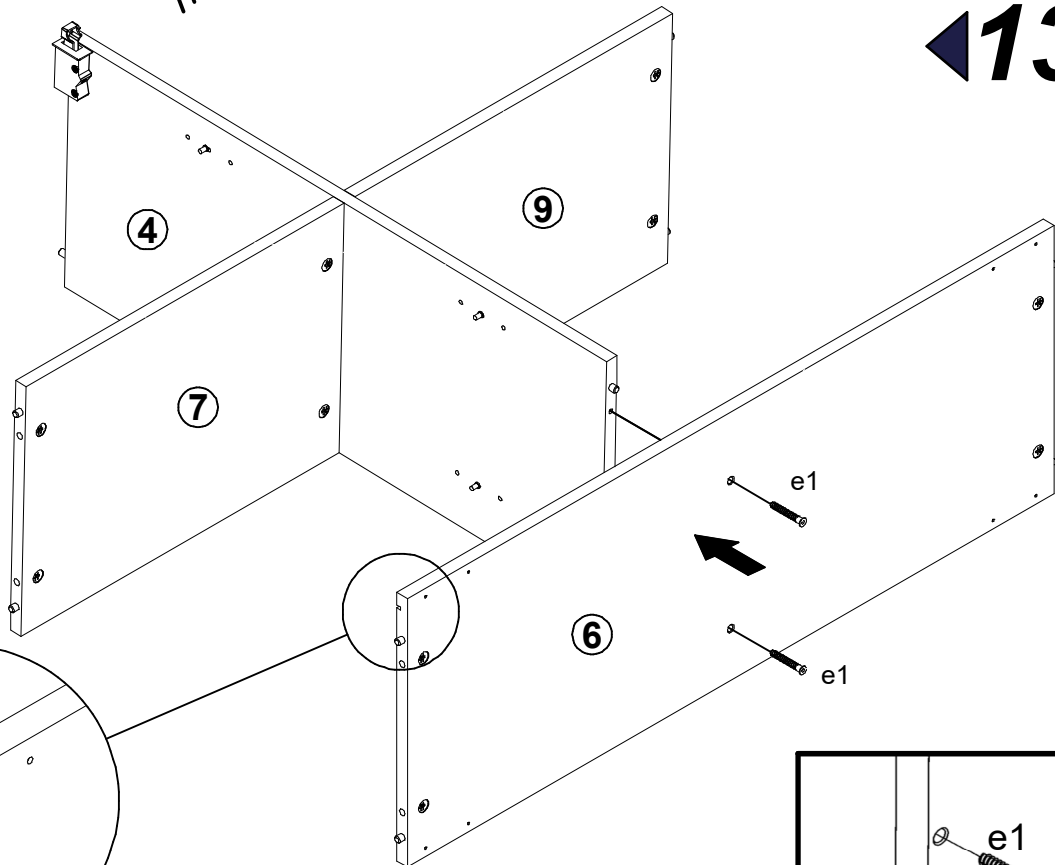




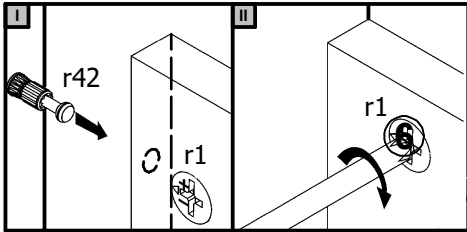
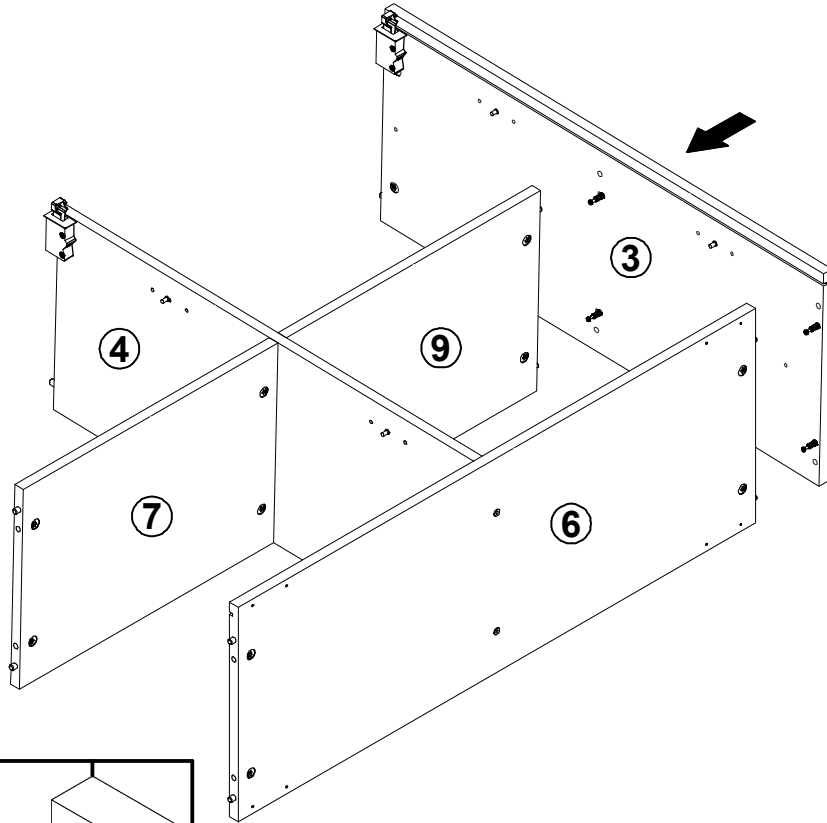
12 ▶



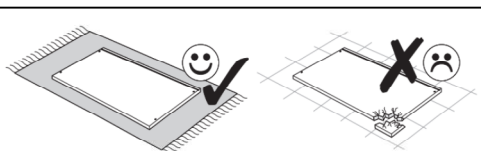
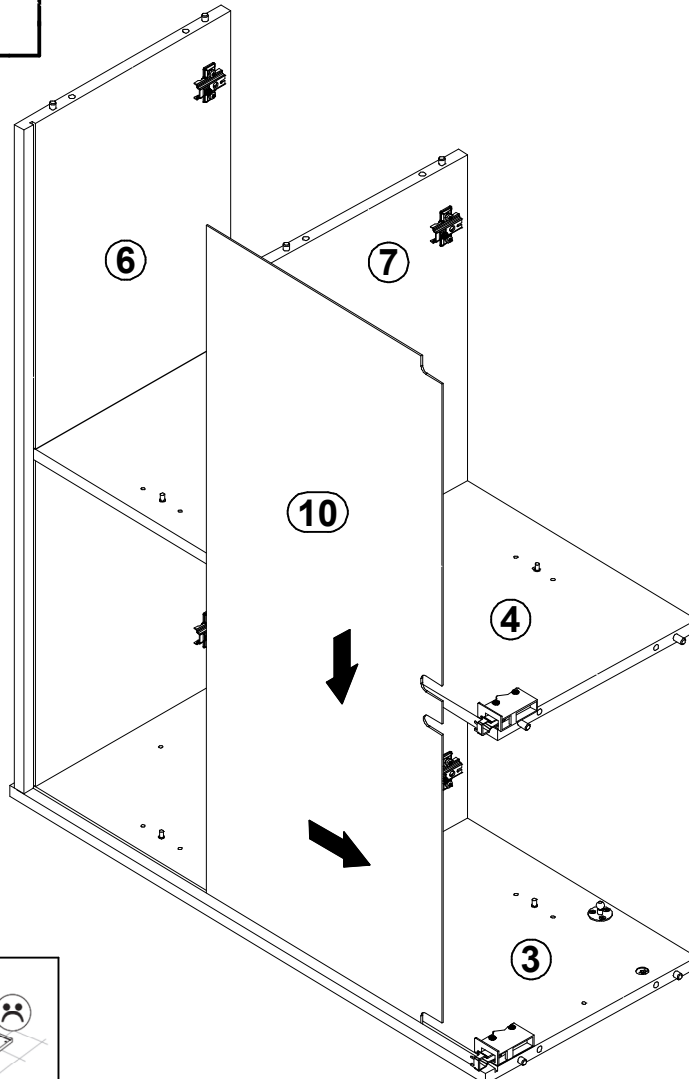
▶ 13



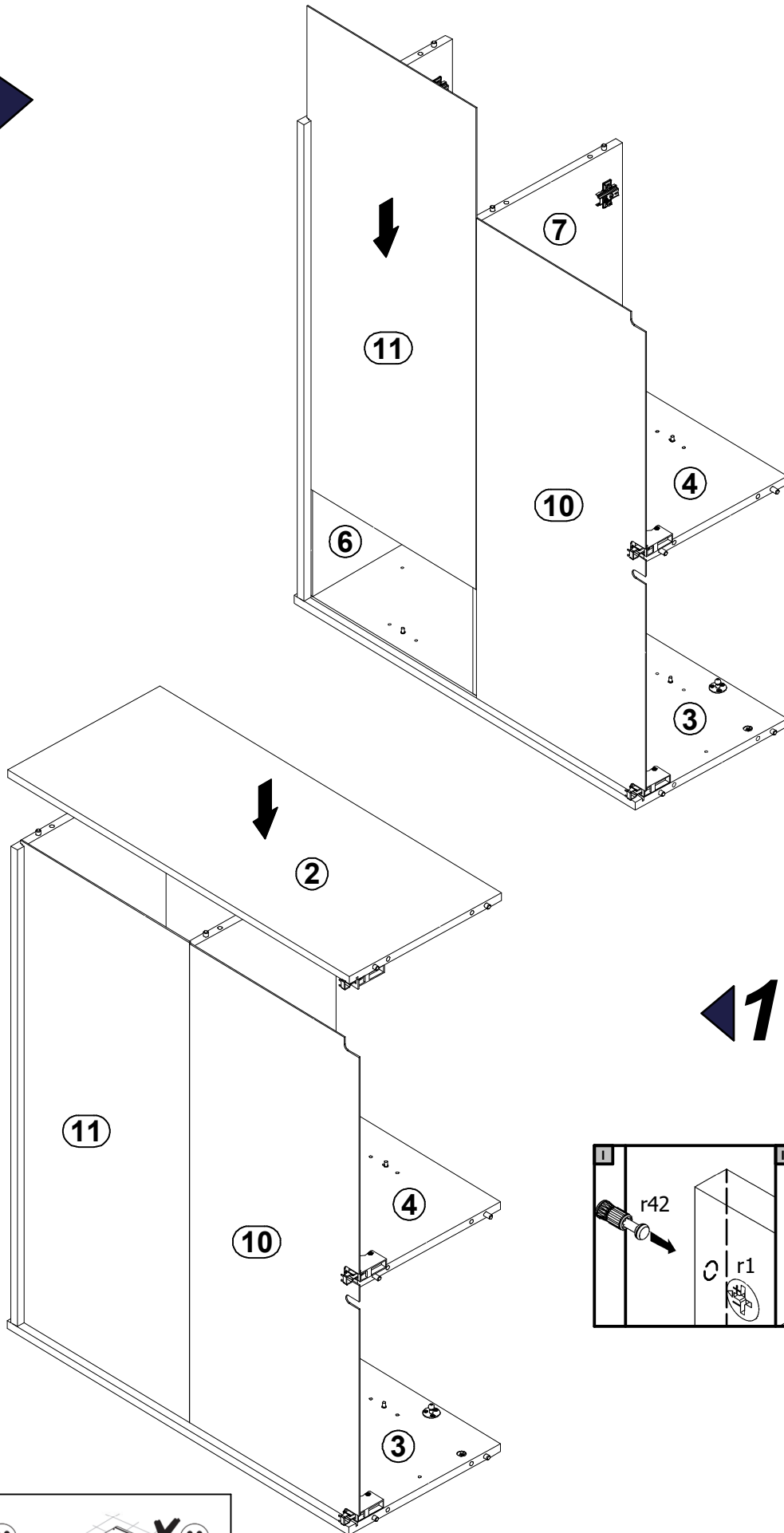
14



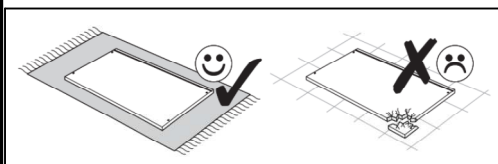
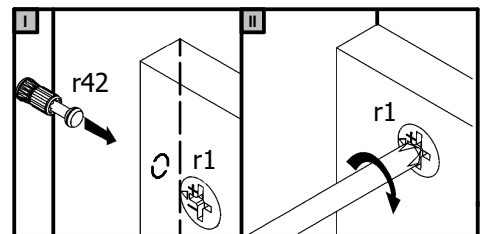
15



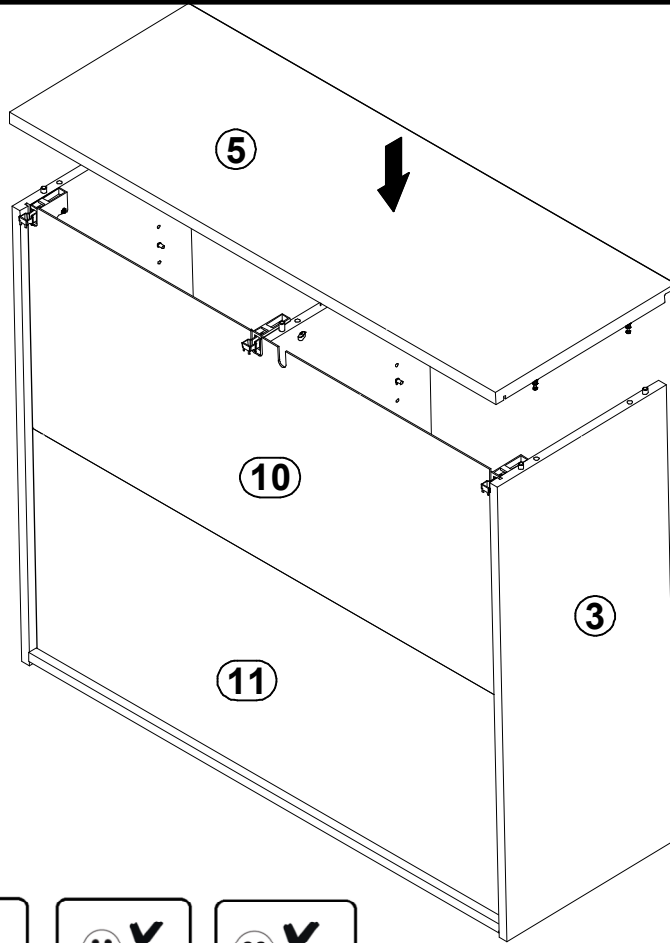
16 ▶



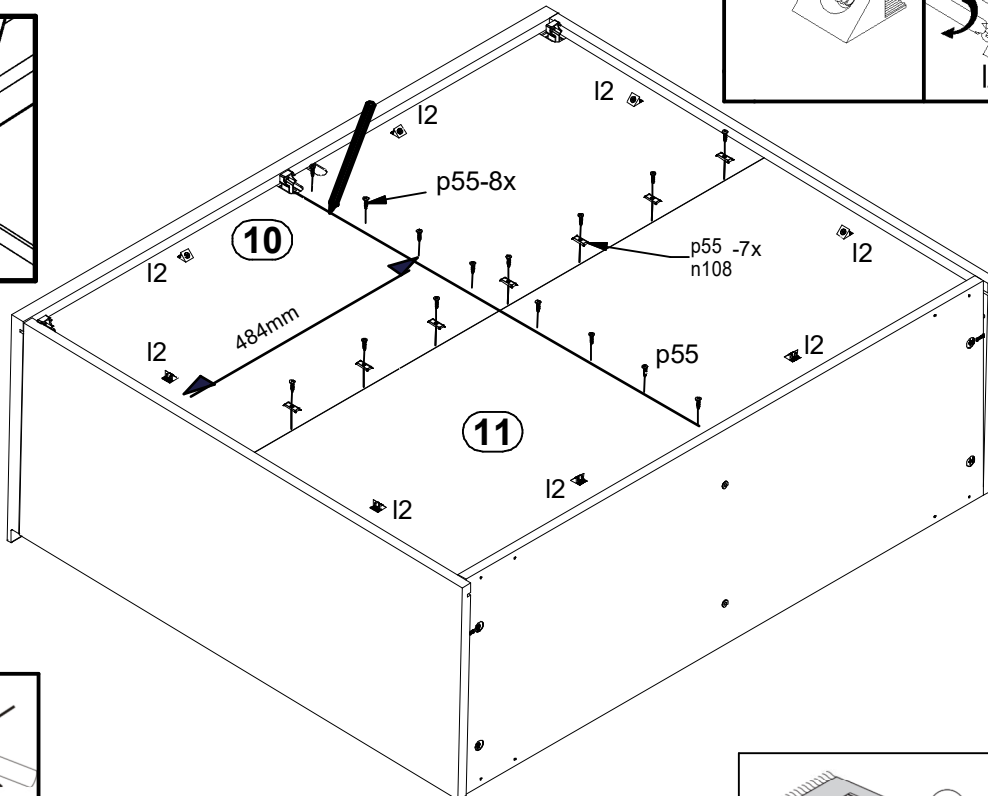
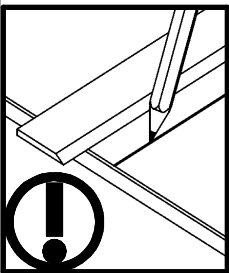
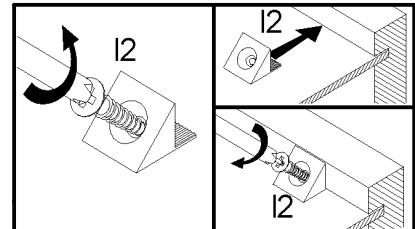
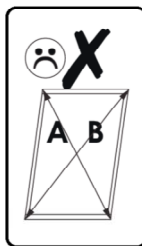
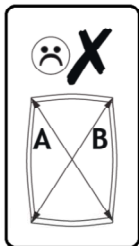
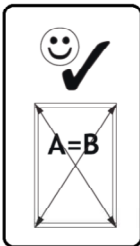
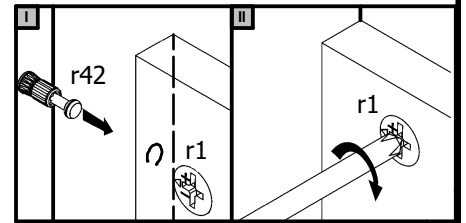
◀ 17



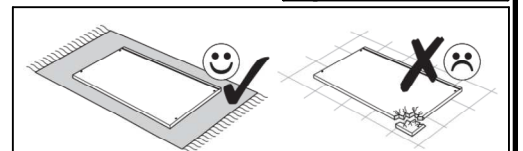
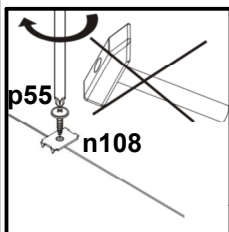
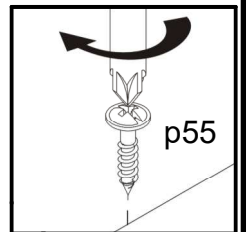
18 ▶

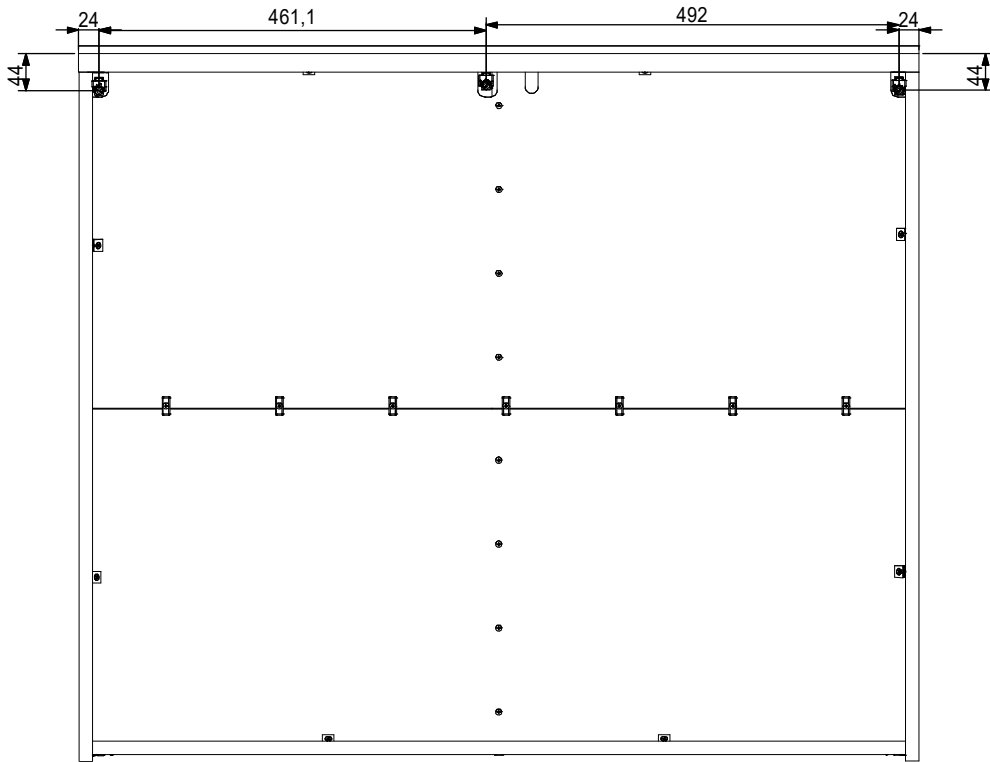


- 8x I2
- 7x n108
20x13x3.5,1
- 15x p55
Ø2.9x16 mm

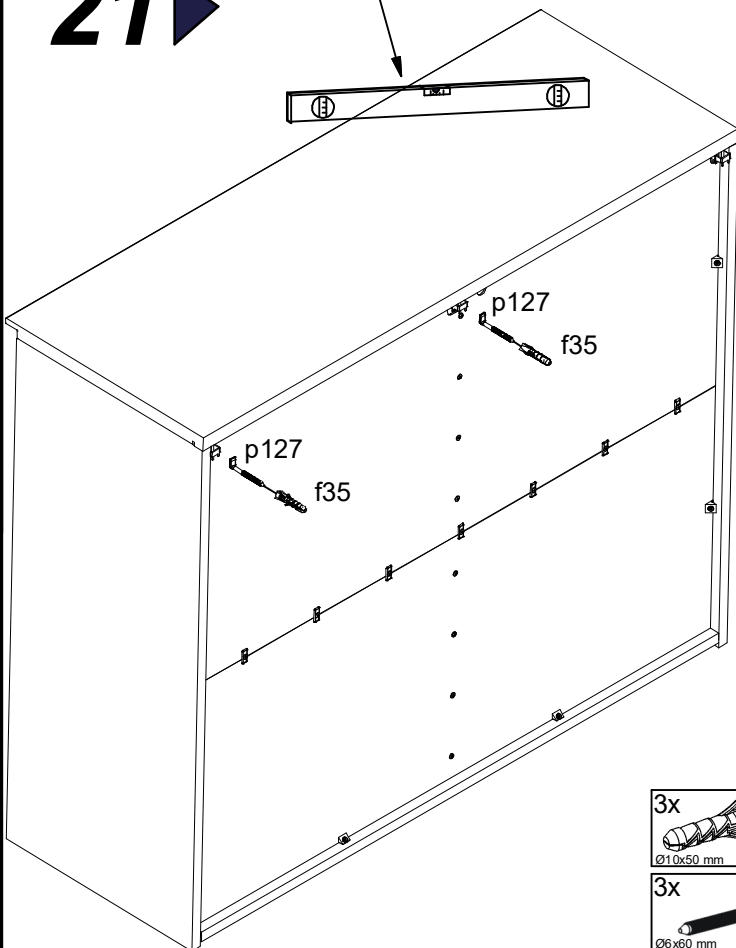
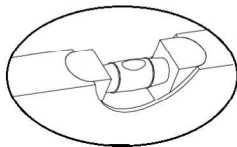


▶ 19





21▶



	$\phi 10$ mm 	f35 	f35 	f35
--	------------------	---------	---------	---------

--	--	--

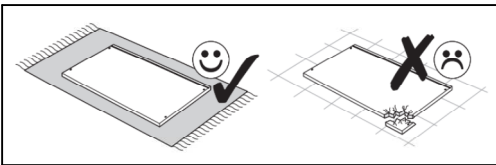
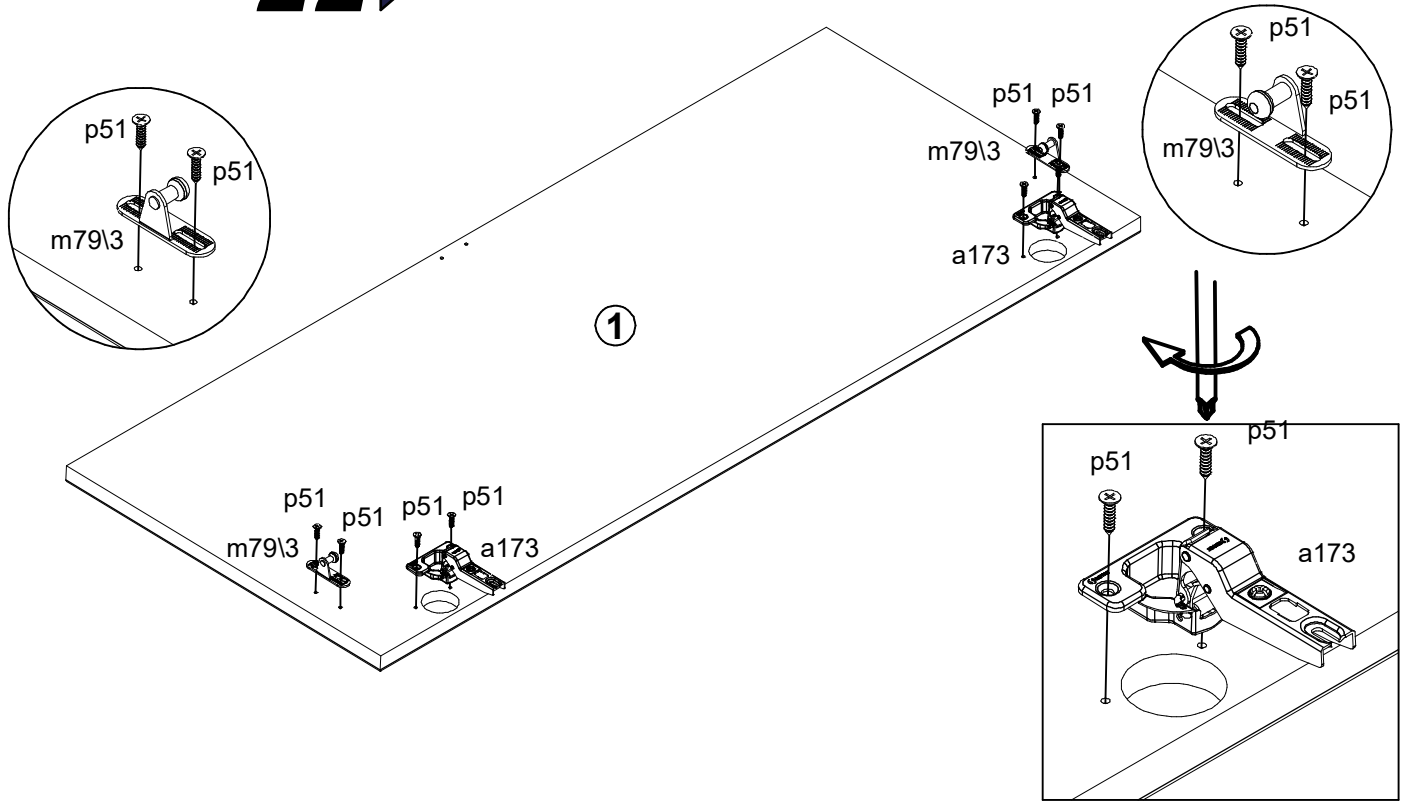
--	--	--

3x $\phi 10 \times 50$ mm f35
3x $\phi 6 \times 60$ mm p127

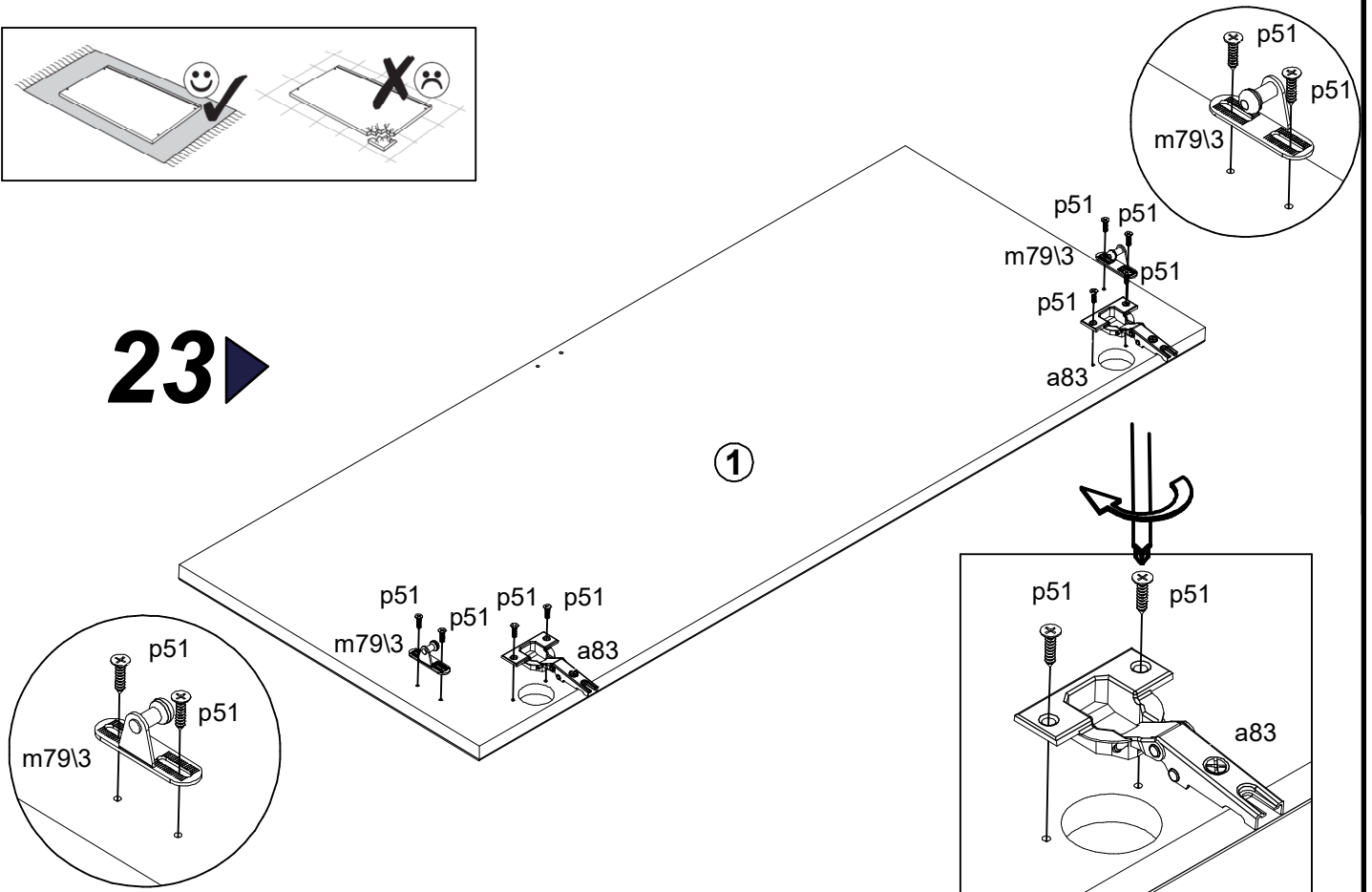
--	--	--

16x Ø3,5x15 mm p51	4x m79\3	2x K9 Ø35 a173	2x a83
--------------------------	-------------	----------------------	-----------


22 ▶

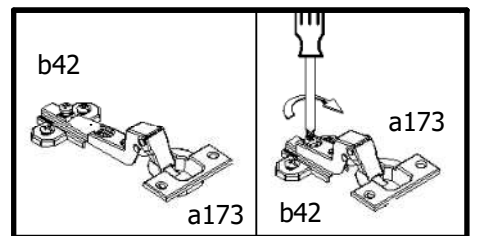
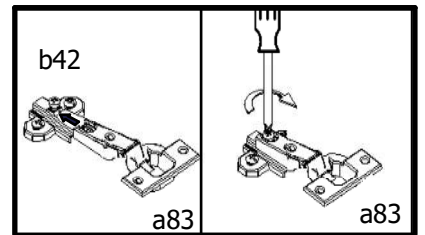
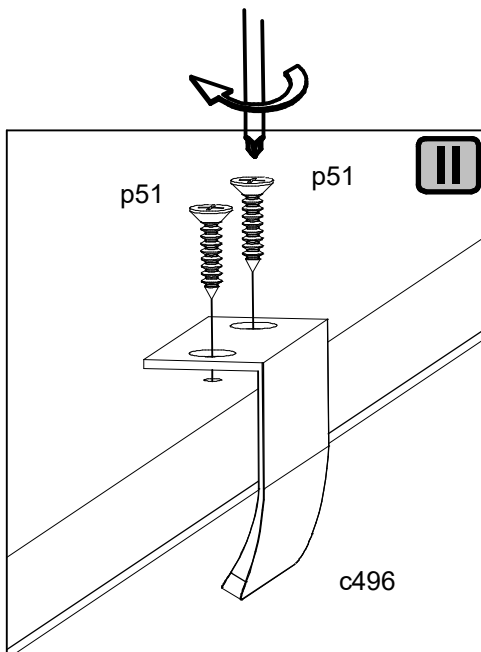
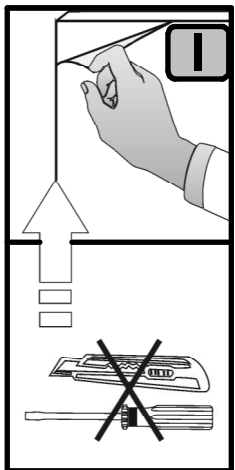
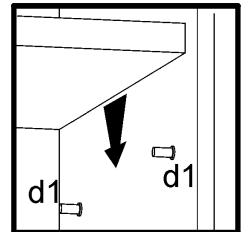
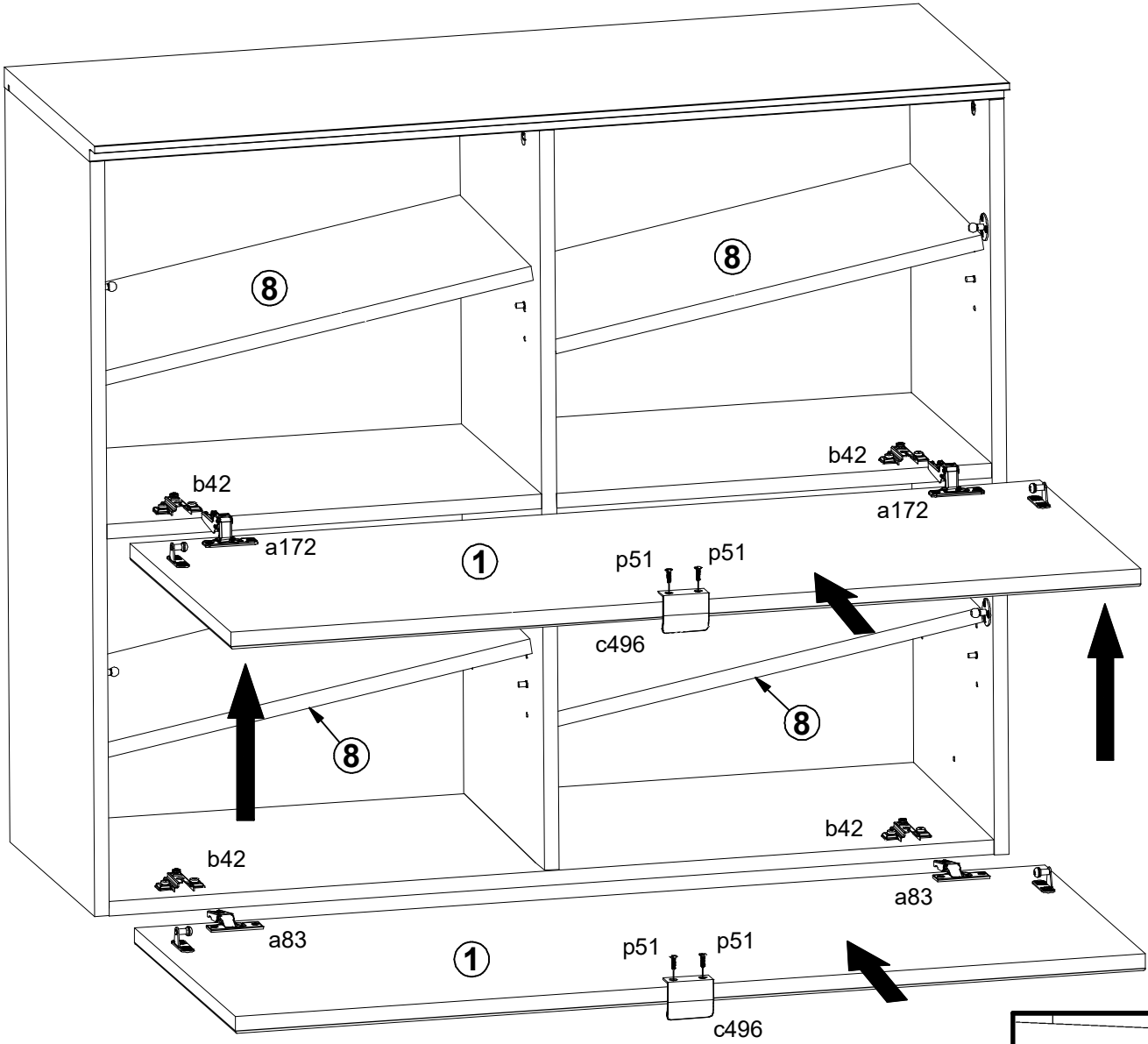


23 ▶

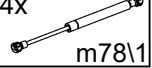
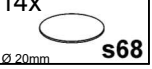


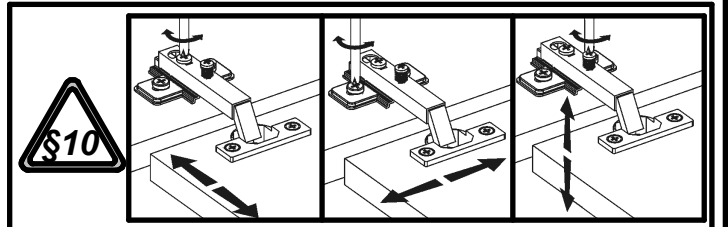
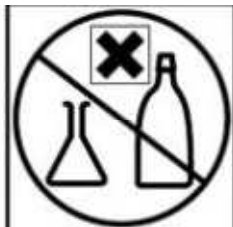
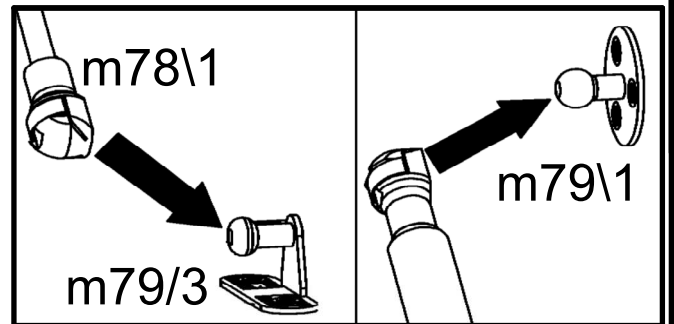
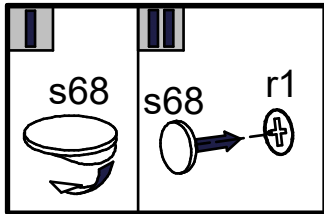
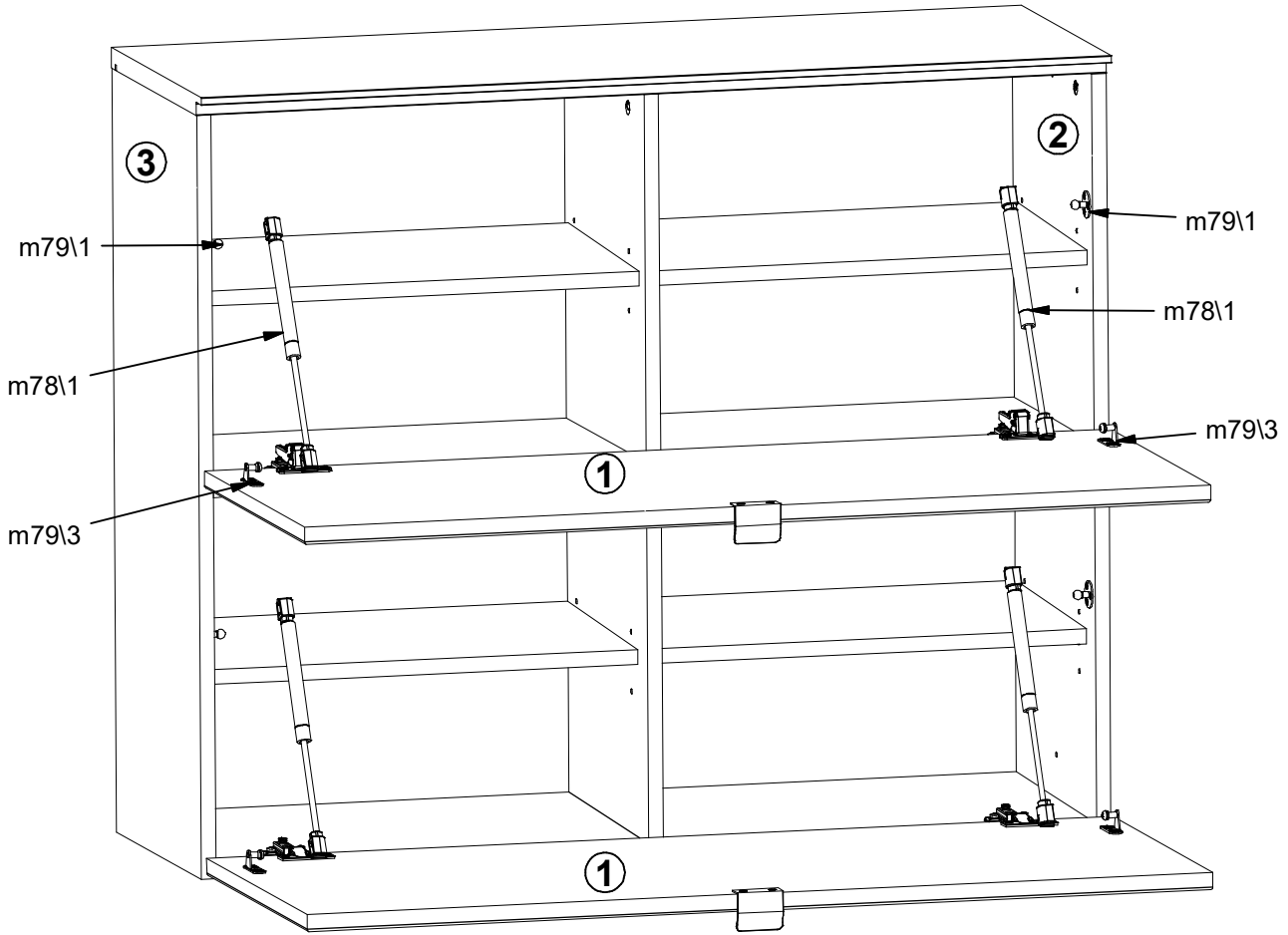
24 ▶

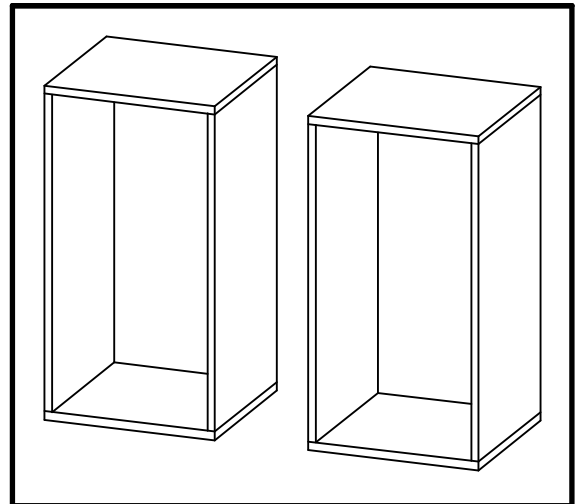
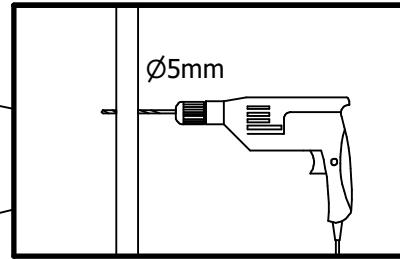
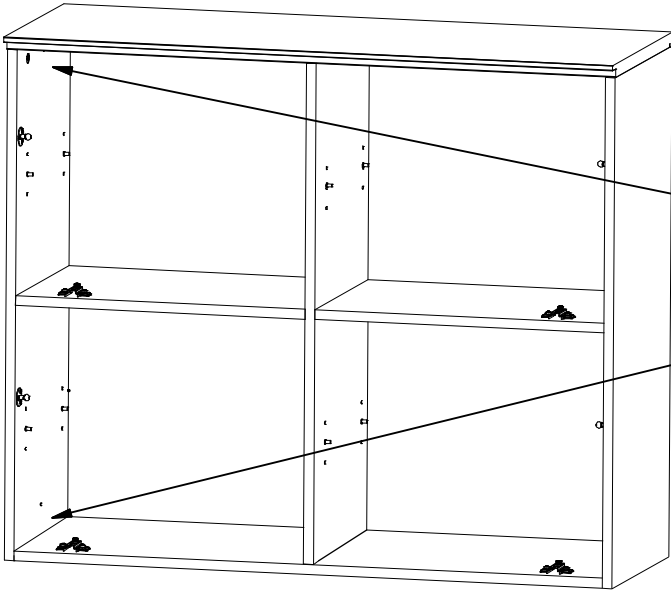
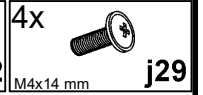
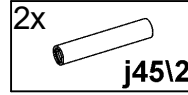
- 2x  c496
- 4x  p51
Ø3.5x15 mm



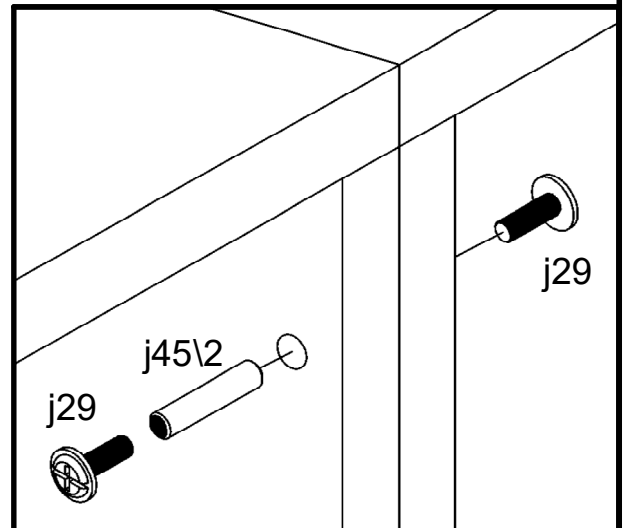
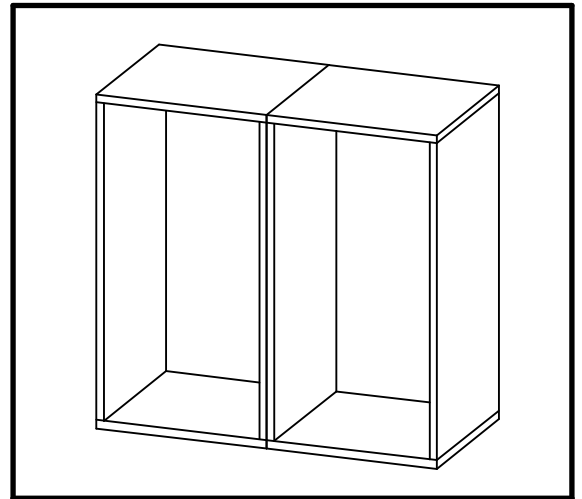
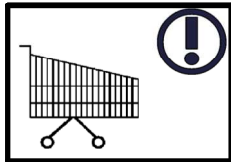
25

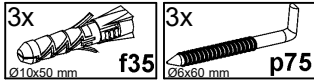
- 4x  m78\1
- 14x  s68
Ø 20mm



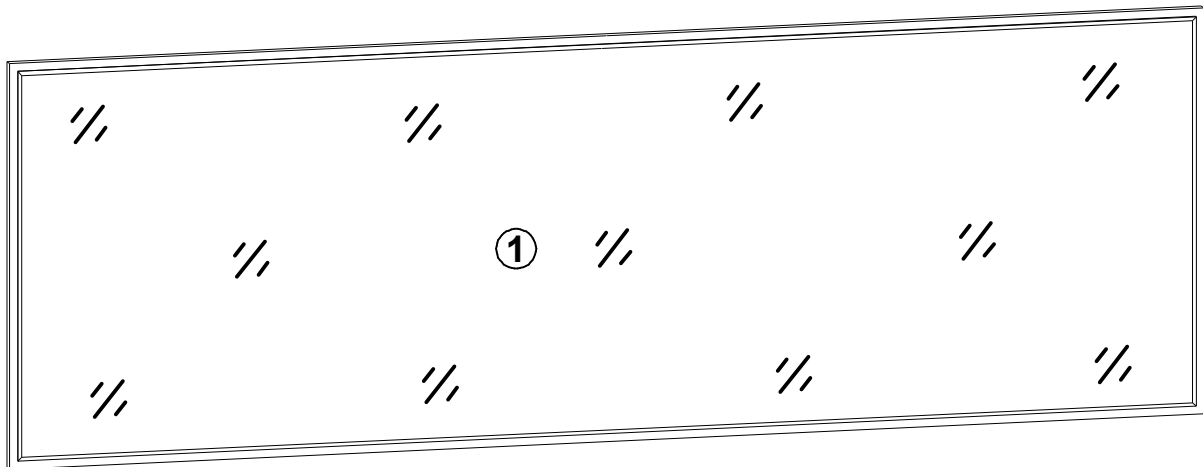


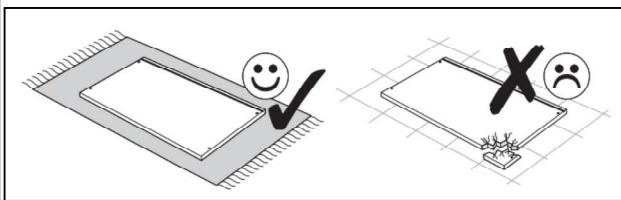
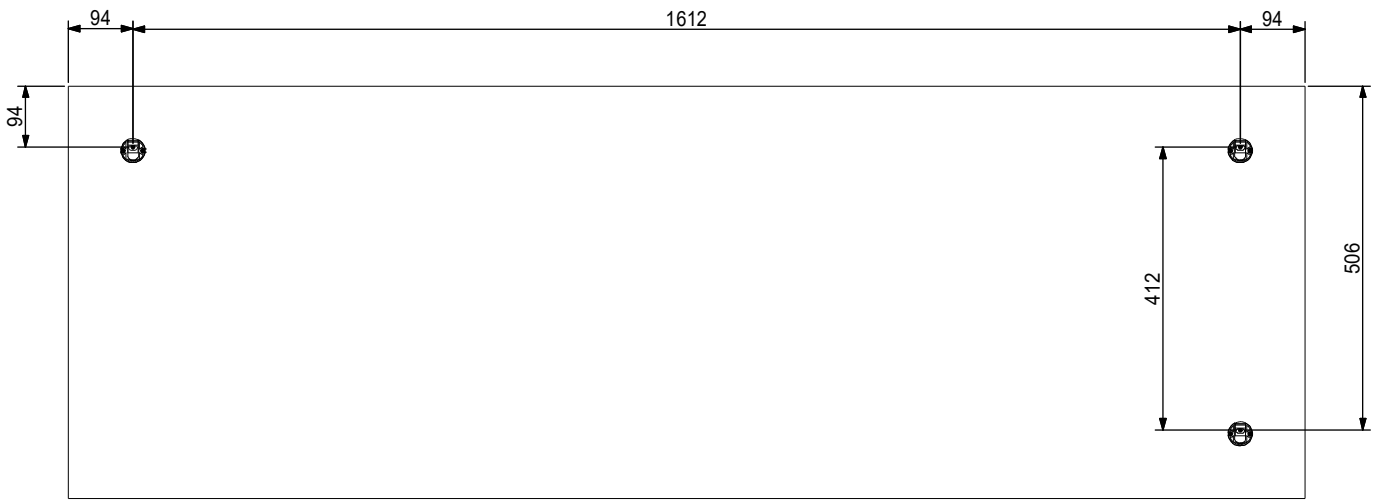
OPTION

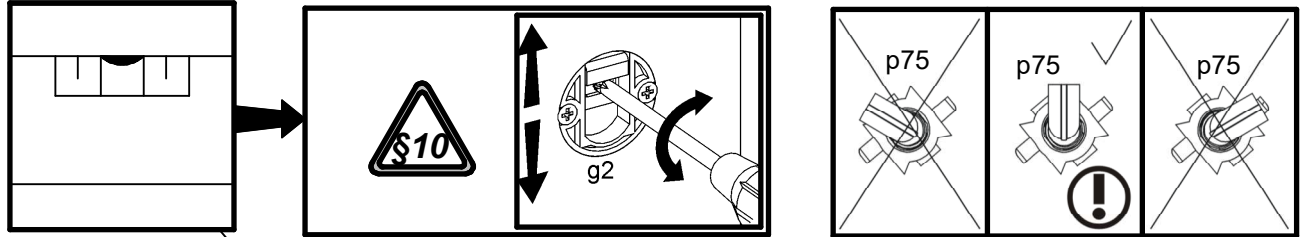
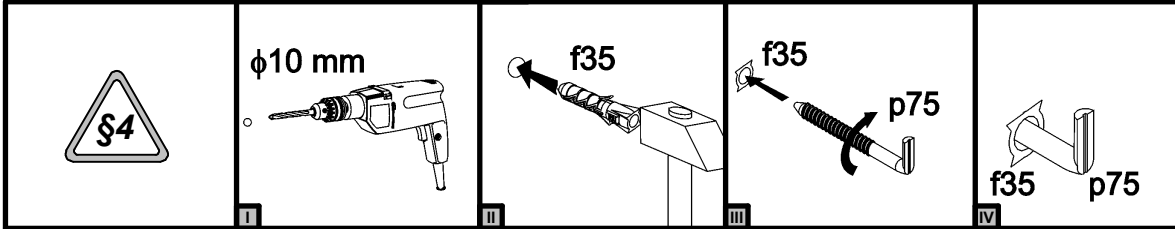




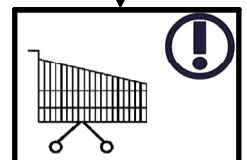
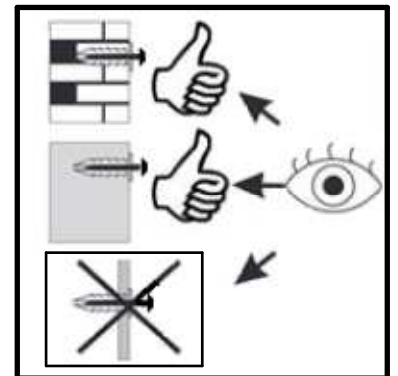
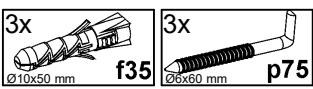
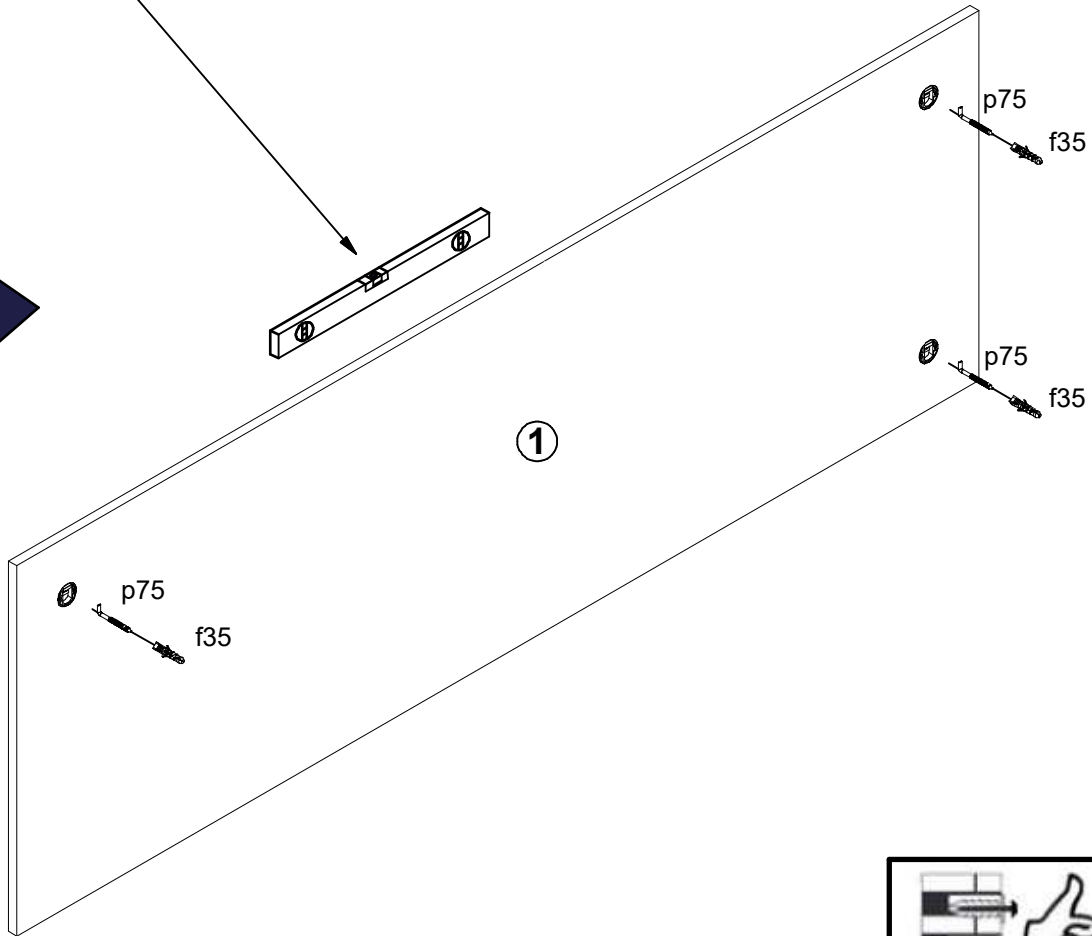
A	B1	B2	C1	C2	C3	C4	D
1	M278-4302	-	1800	600	19	1	1/1

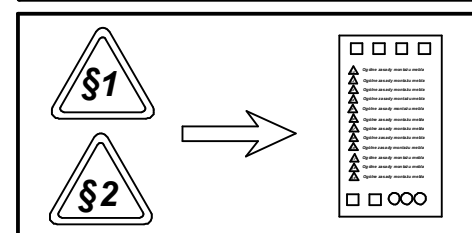
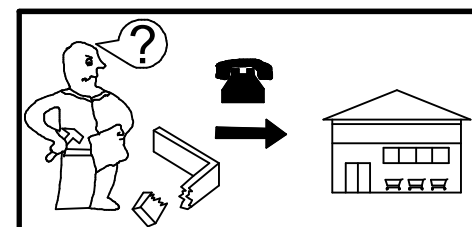
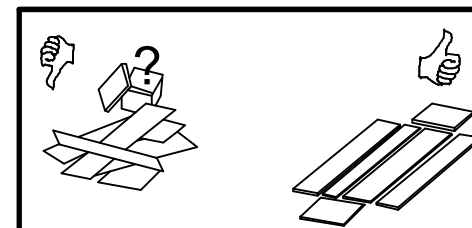
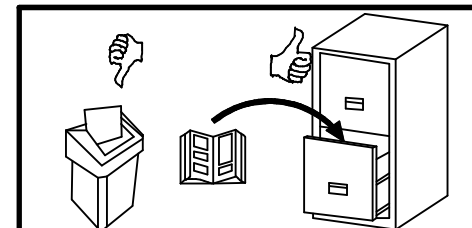
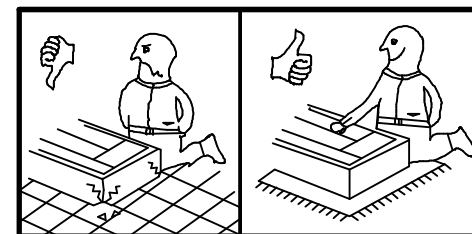
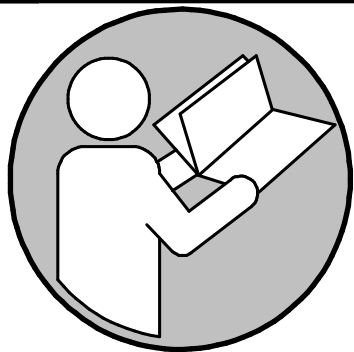




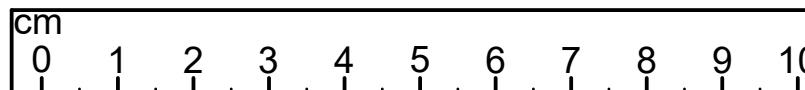
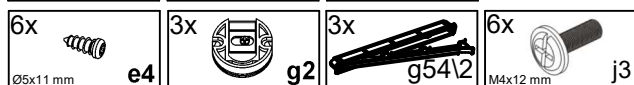
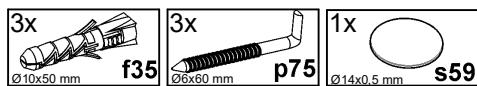
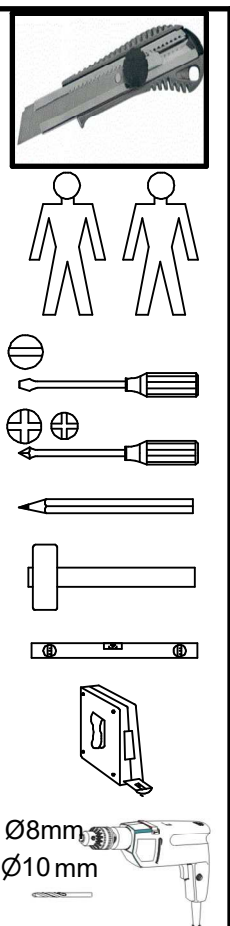
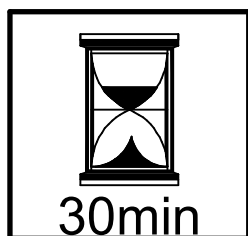
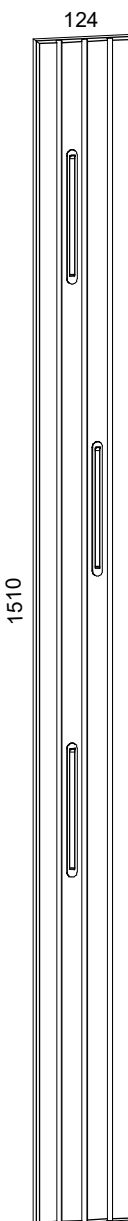


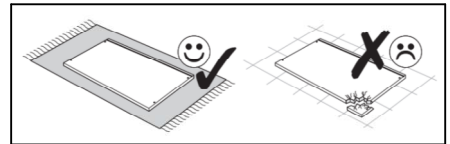
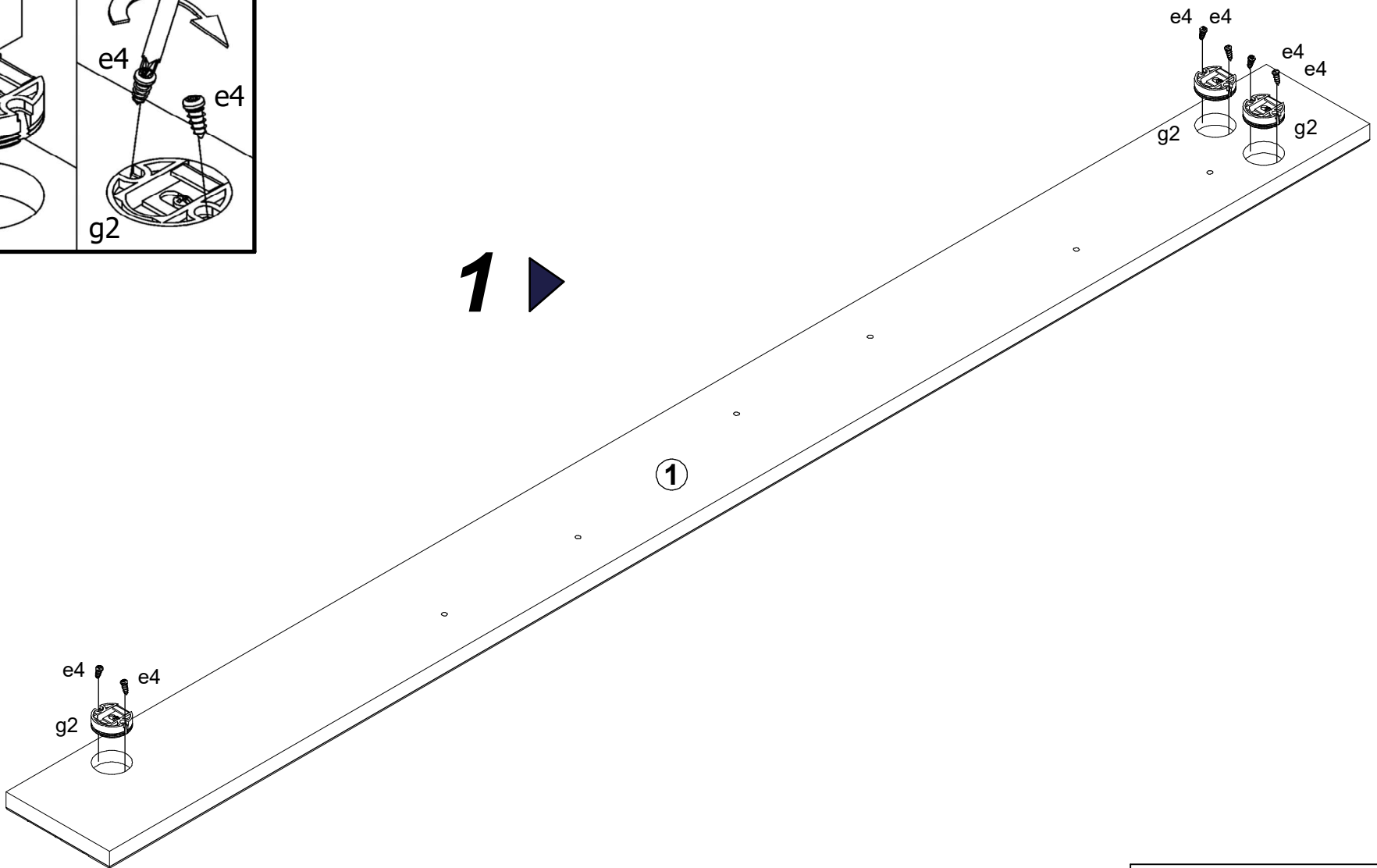
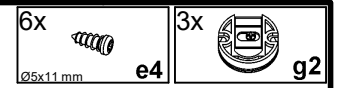
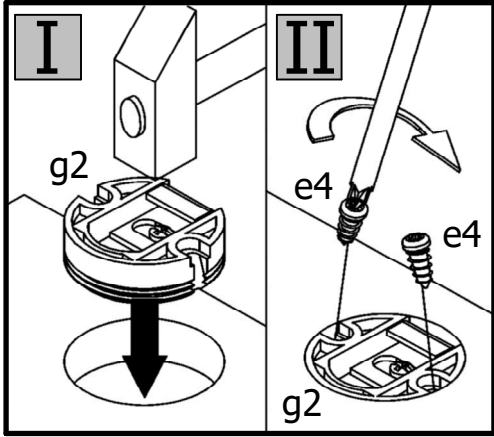
2 ▶



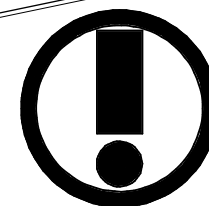
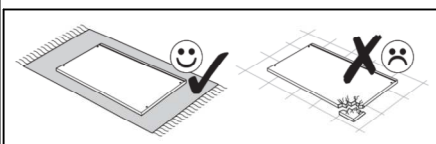
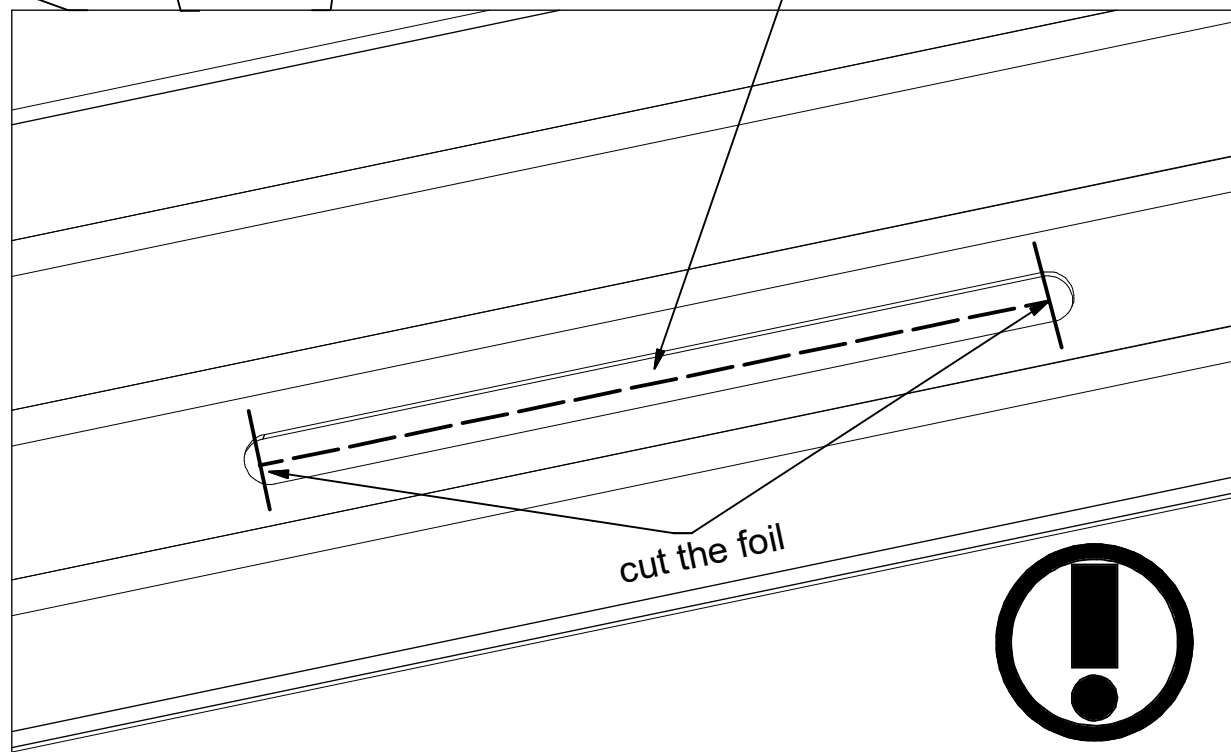
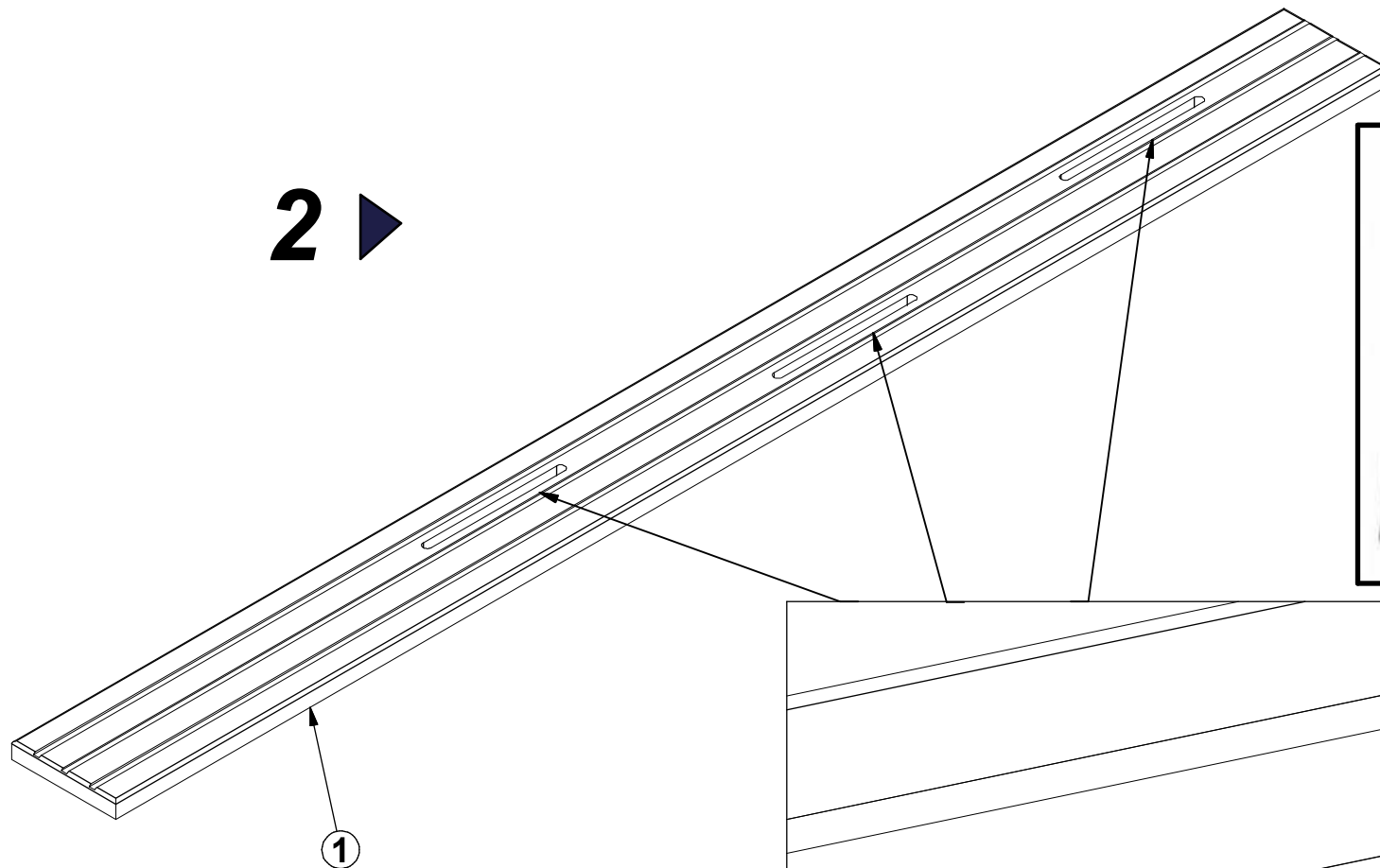


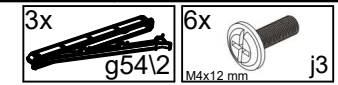
A	B1	B2	C1	C2	C3	C4	D
1	M278-4001	-	1510	124	19	1	1/1



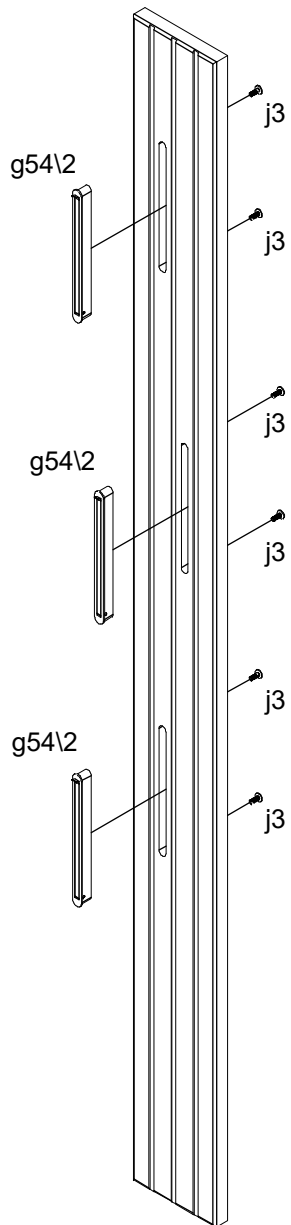
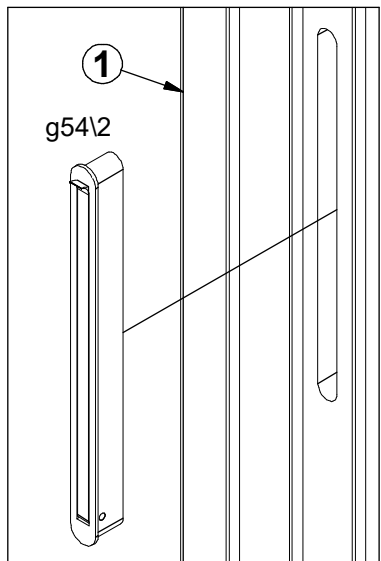


2 ▶

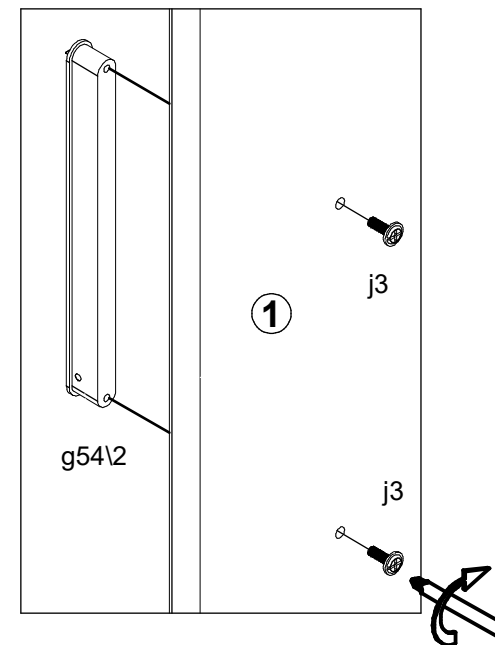
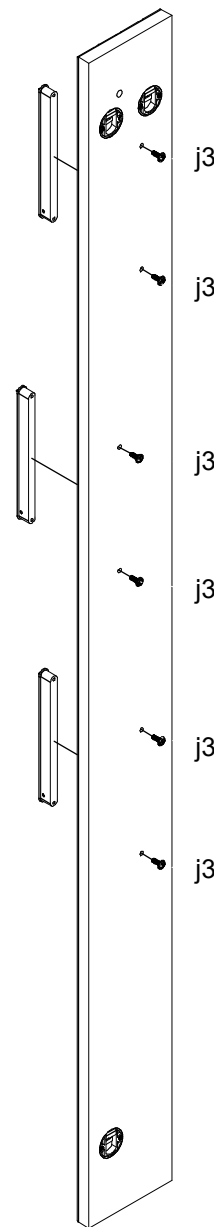




3 ▶



◀ 4

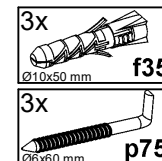
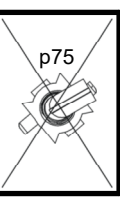
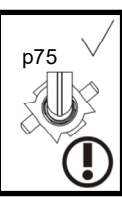
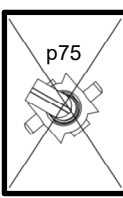
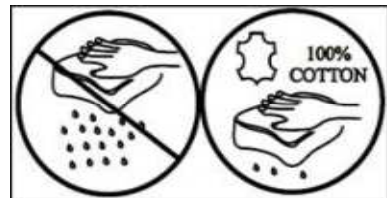
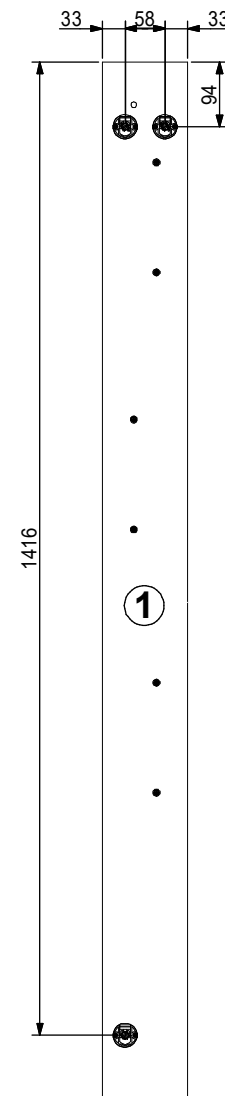
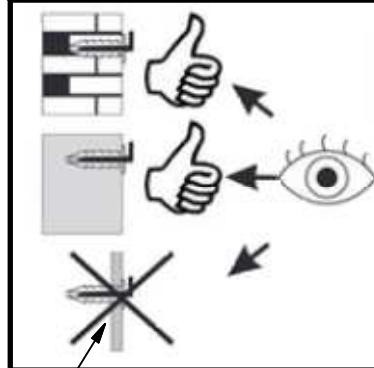
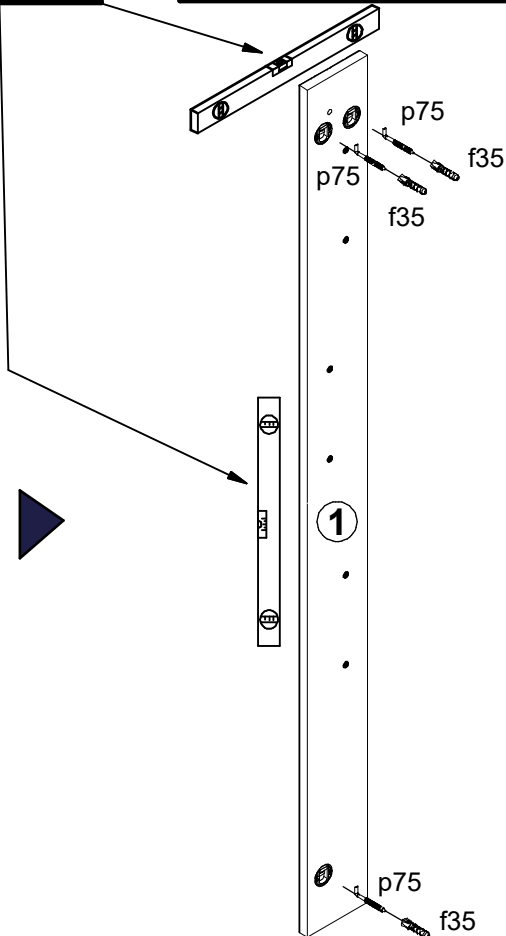
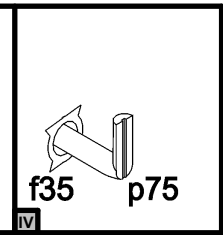
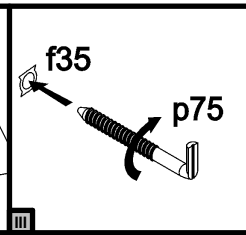
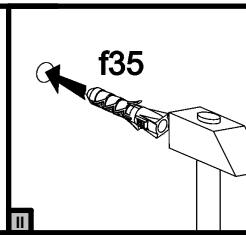
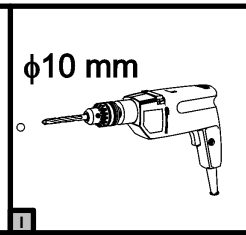
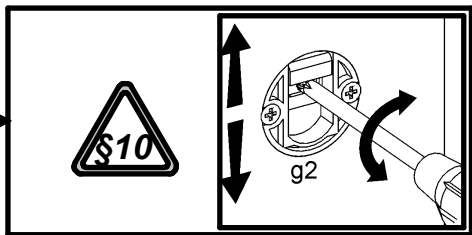
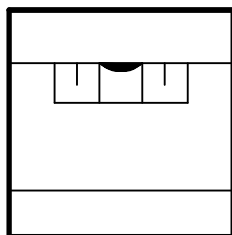


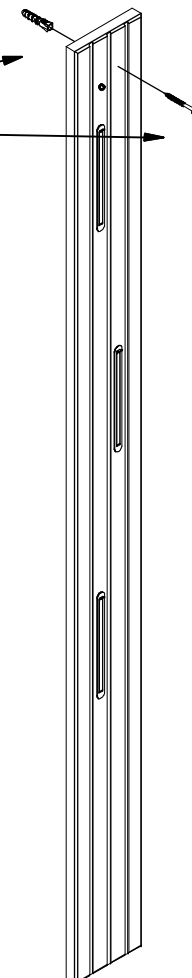
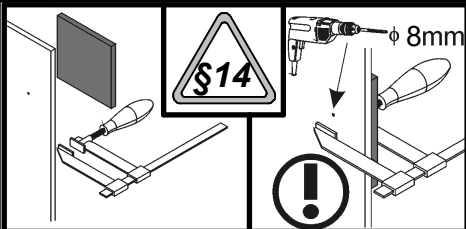
A

M278-PAN

30 H8 99 40

5 / 6





8

7

