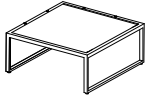
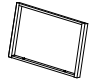
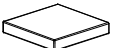

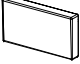




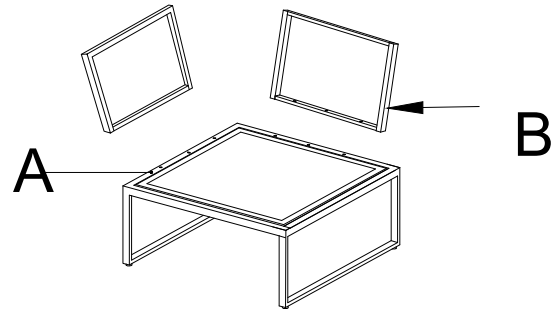
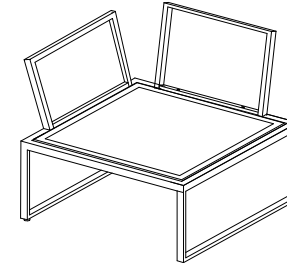


A		1PC
B		2PC
C		1PC
D		1PC
E		1PC
F		1PC
G	 M8*45	6PC
H		6PC
I		6PC

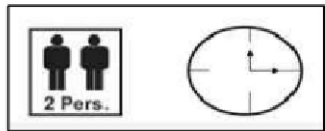
00600004/29
1364473



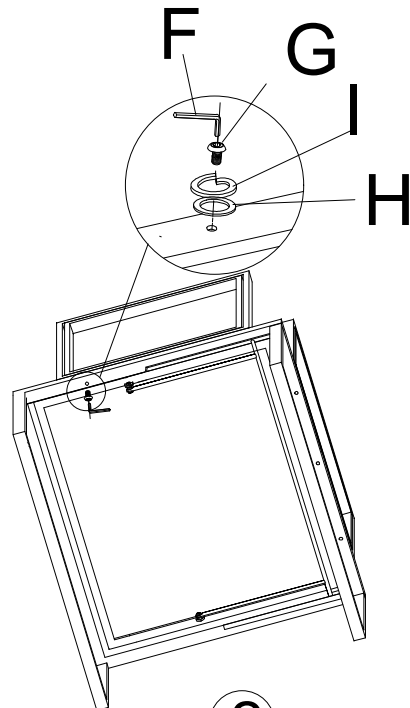
1



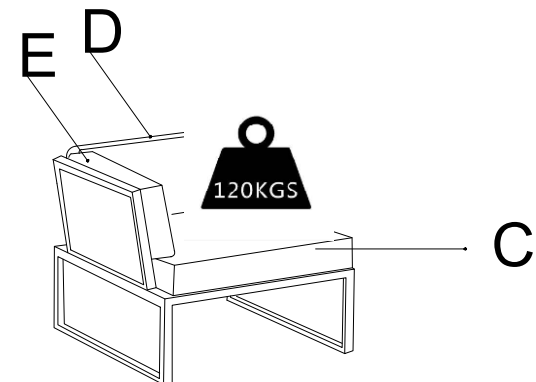
3



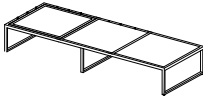
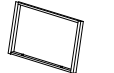
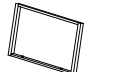
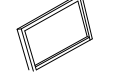







15MIN



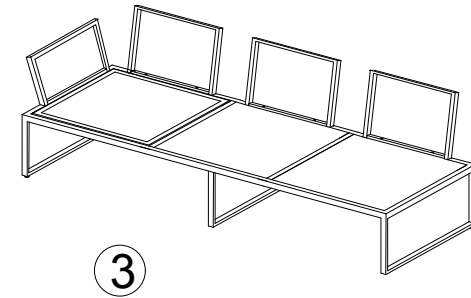
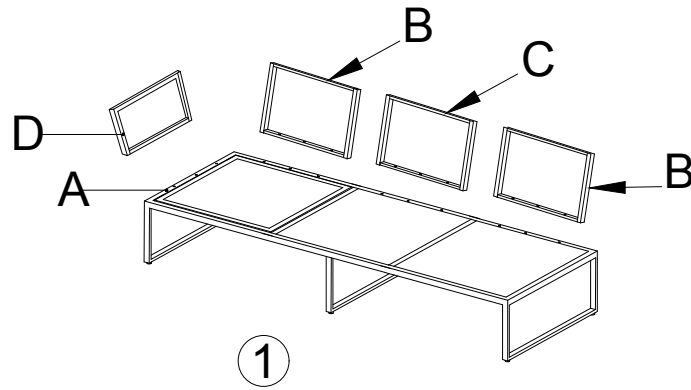
2







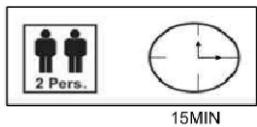
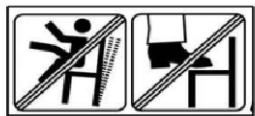
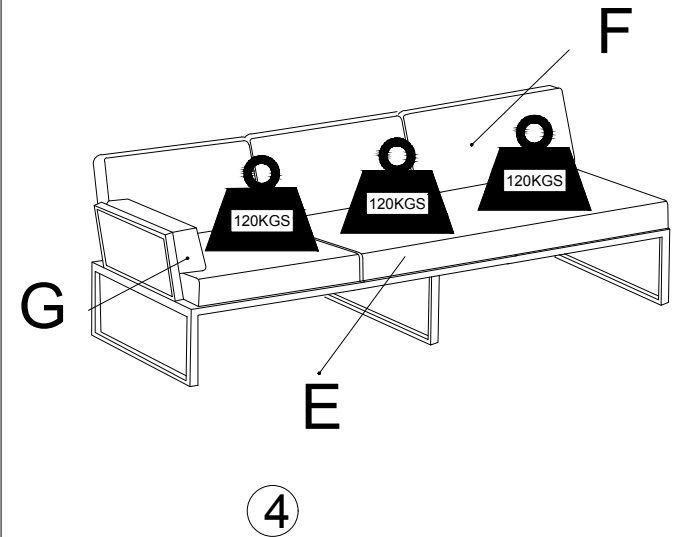
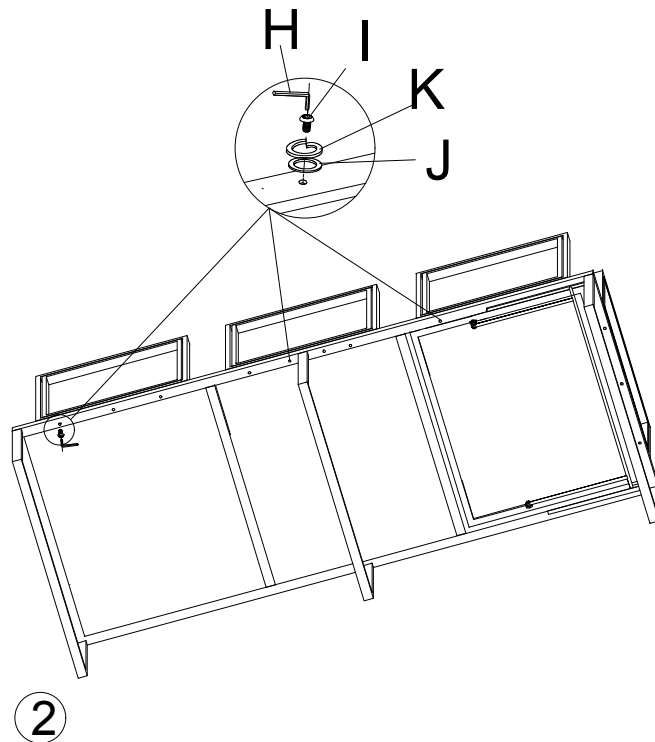
4


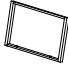
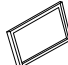
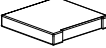
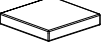






A		1PC
B		2PC
C		1PC
D		1PC
E		1PC
F		3PC
G		1PC
H		1PC
I	 M8*45	13PC
J		13PC
K		13PC

00600004/29
1364473

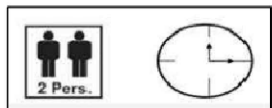
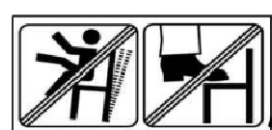
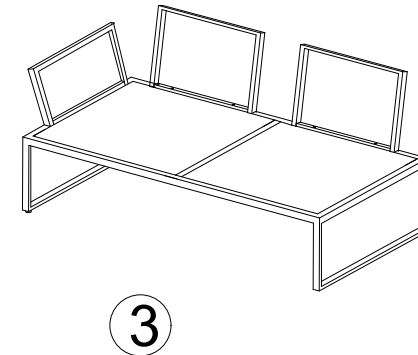
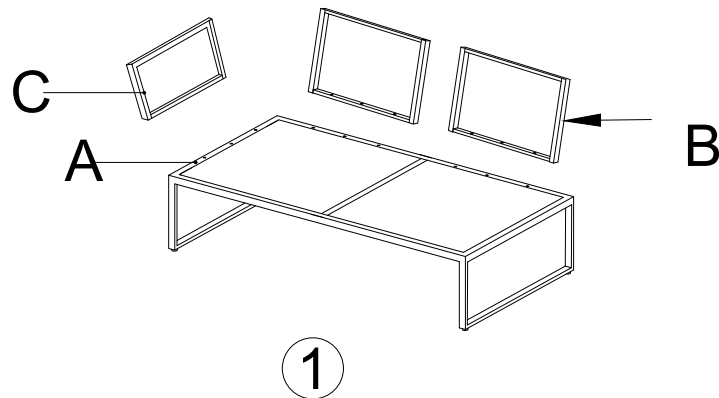


H		1PC
I	 M8*45	13PC
J		13PC
K		13PC



A		1PC
B		2PC
C		1PC
D		1PC
E		1PC
F		2PC
G		1PC
H		1PC
I	 M8*45	9PC
J		9PC
K		9PC

00600004/29
1364473



2 Pers.
15MIN

