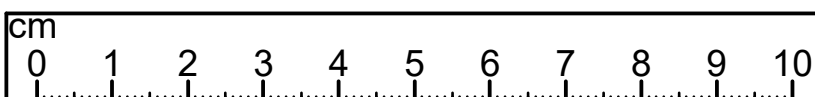
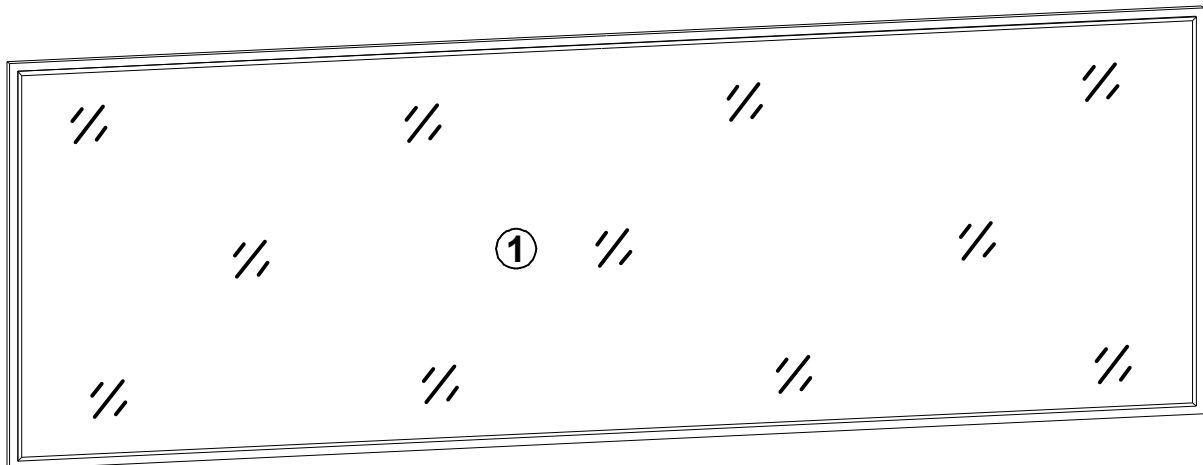
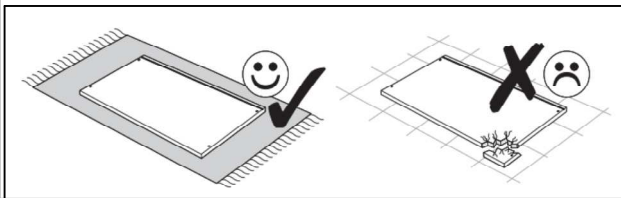
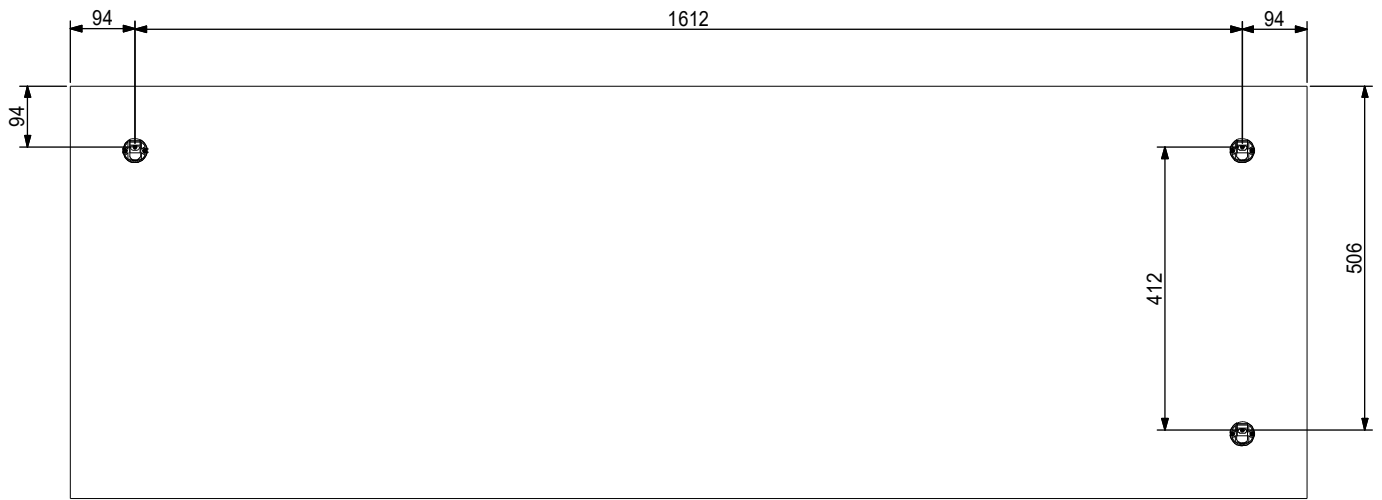
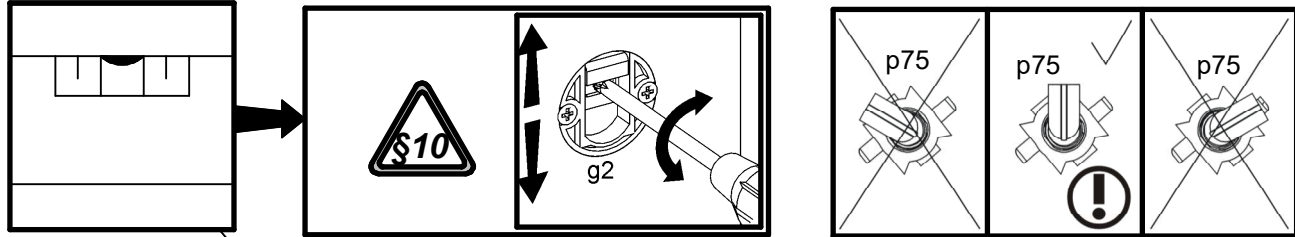
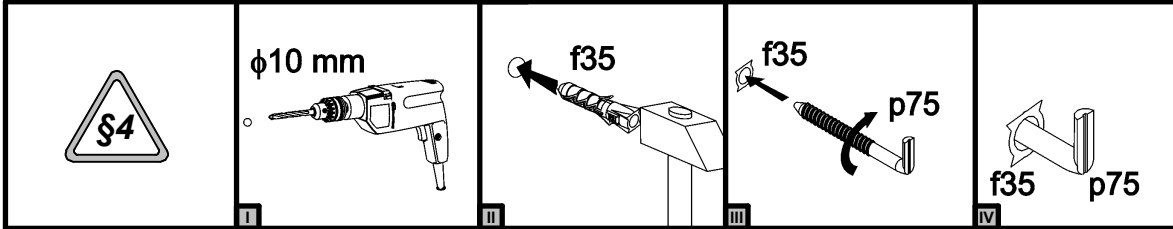


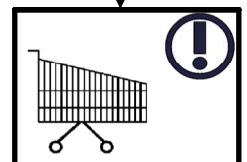
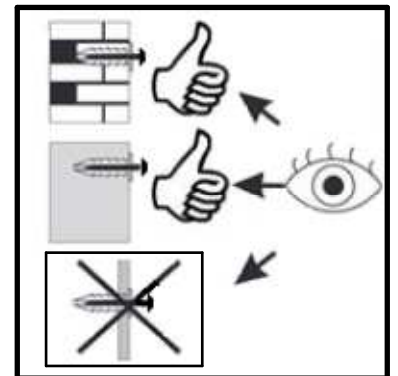
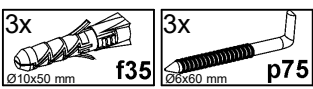
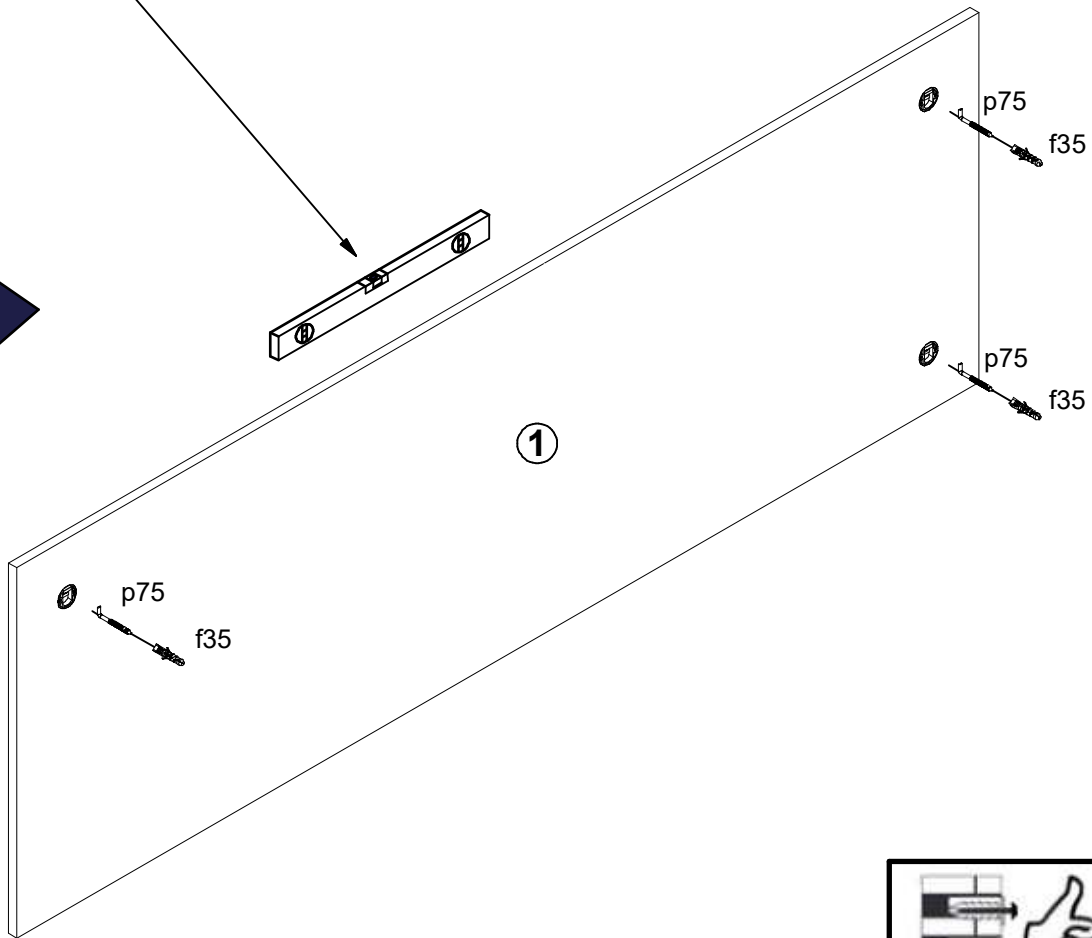
A	B1	B2	C1	C2	C3	C4	D
1	M278-4302	-	1800	600	19	1	1/1

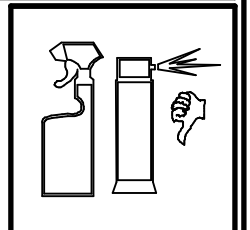
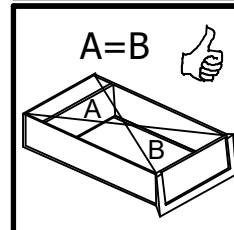
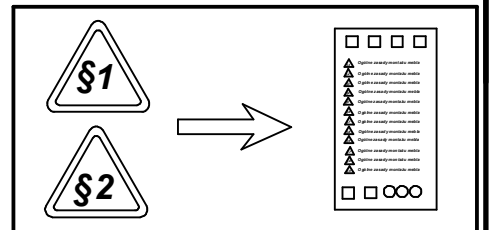
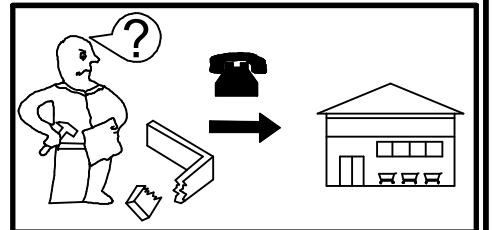
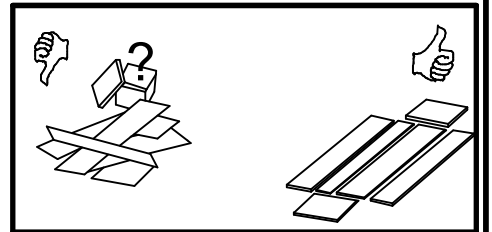
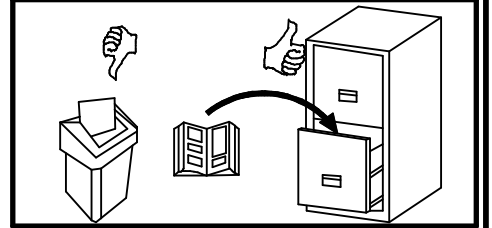
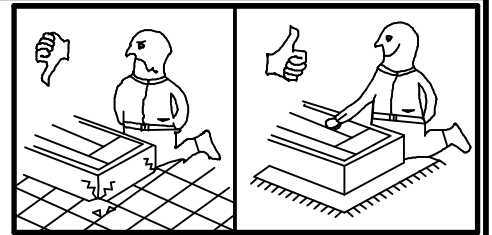
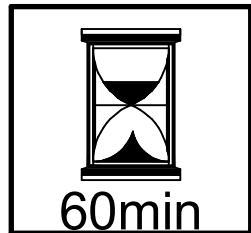
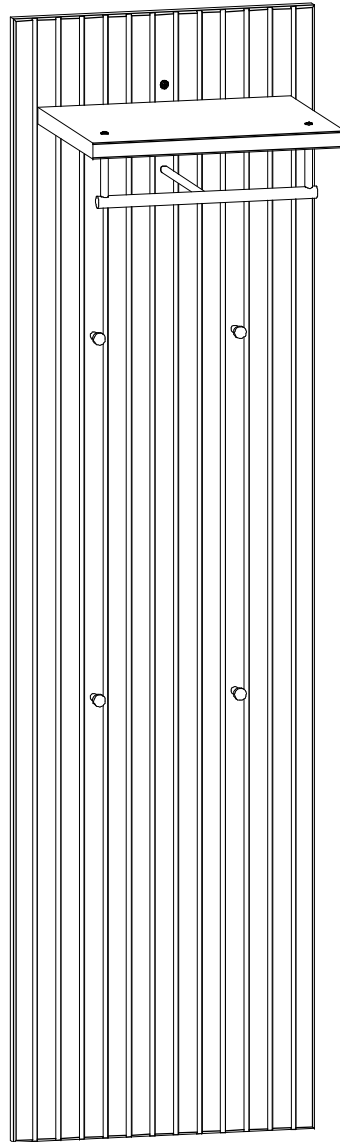
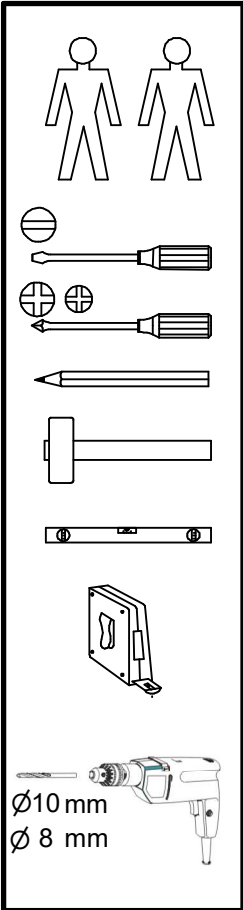




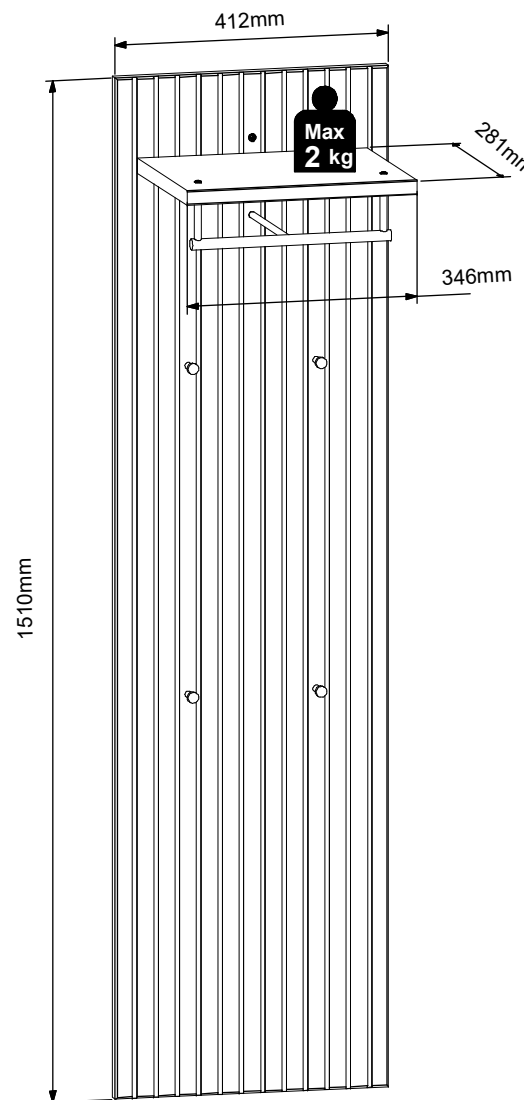
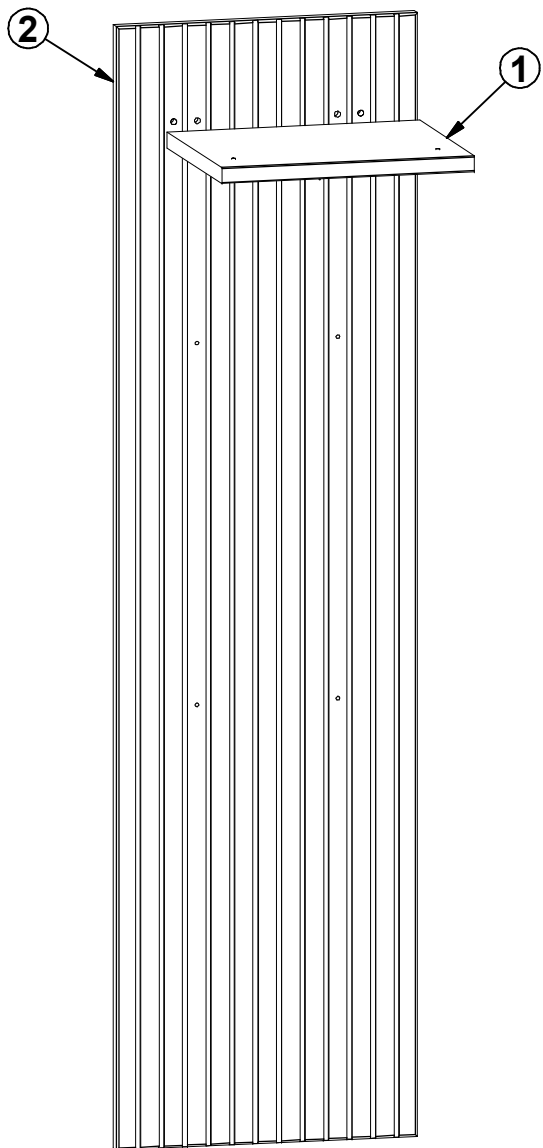




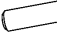





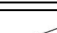

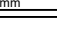
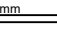
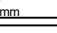
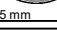
2 ▶

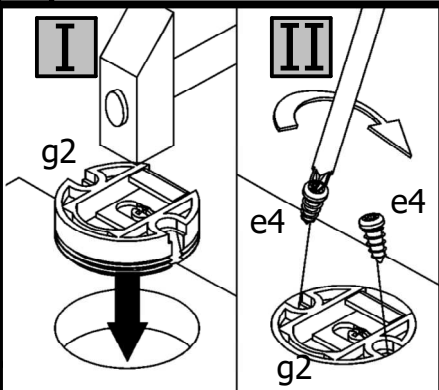




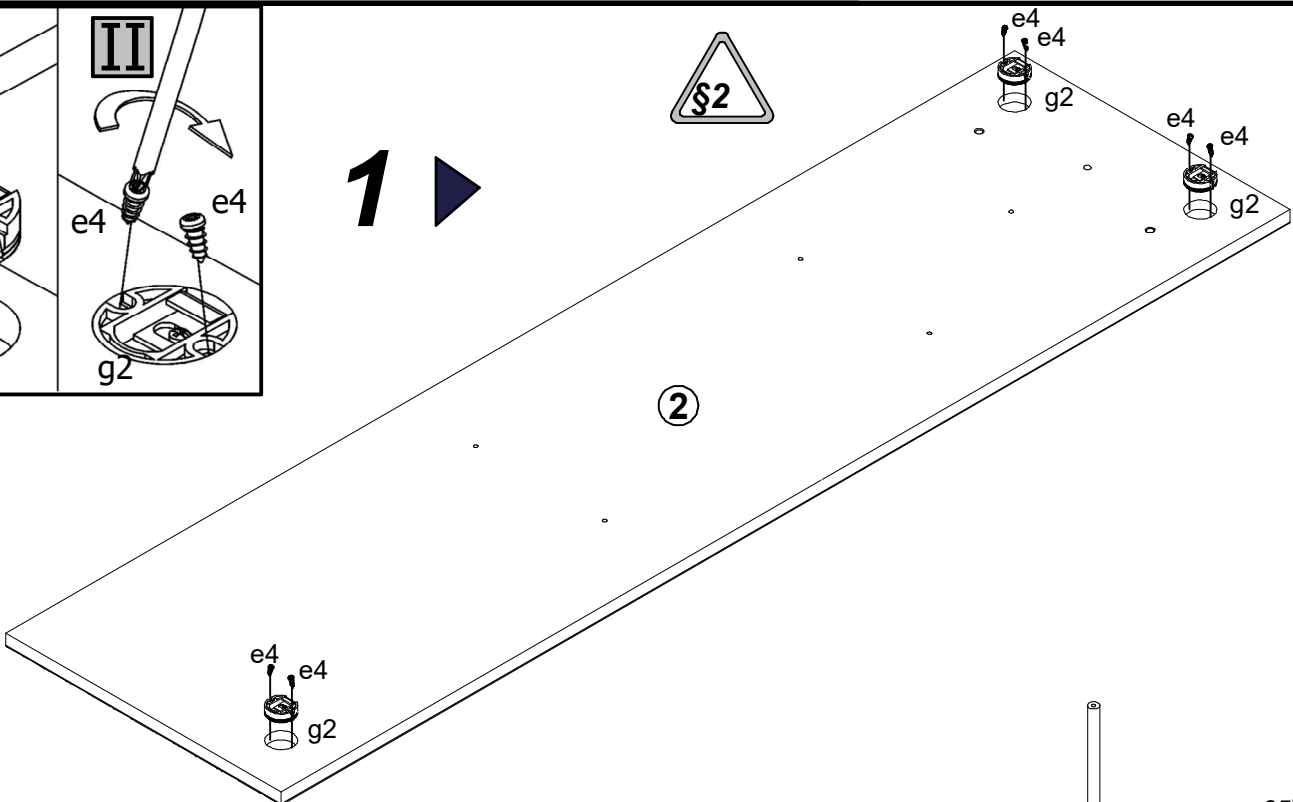
A	B1	B2	C1	C2	C3	C4	D
1	M278-3013	-	346	281	22	1	1/1
2	M278-4002	-	1510	412	19	1	1/1



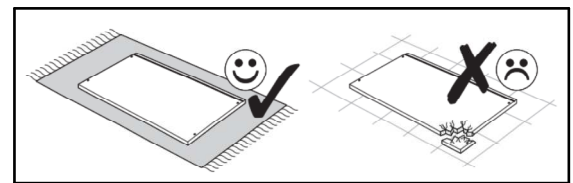
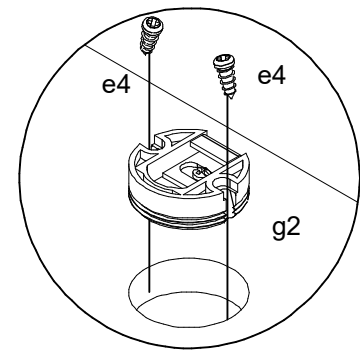
- 6x  **e4**
Ø5x11 mm
- 2x  **e8**
Ø7x60 mm
- 2x  **f1**
Ø8x30 mm
- 3x  **f35**
Ø10x50 mm
- 3x  **g2**
- 4x  **g64**
- 1x  **g6512**
ø16; L=388 mm
- 2x  **g6513**
ø18; L=64 mm
- 1x  **g6514**
ø18; L=212 mm
- 5x  **j8**
M4x25 mm
- 2x  **j11**
M4x28 mm
- 3x  **p75**
Ø6x60 mm
- 1x  **s59**
Ø12x0.5 mm
- 1x  **z1**



1 ▶

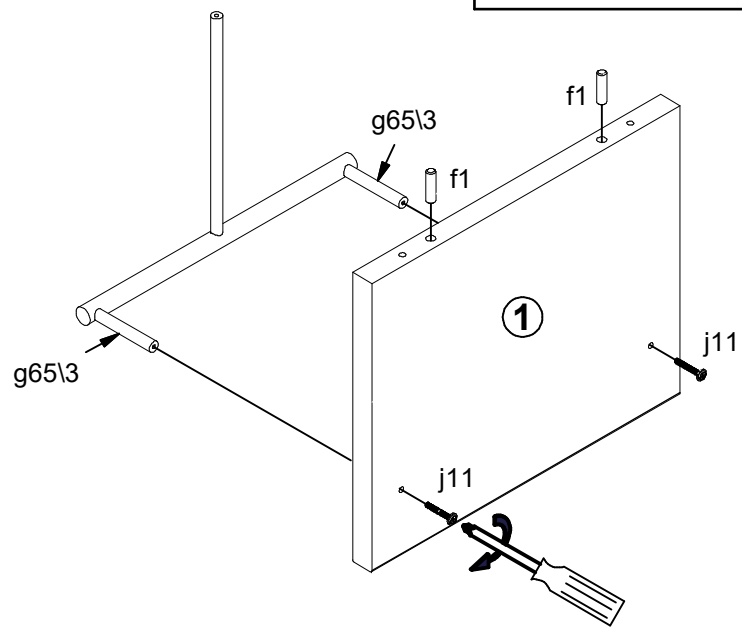
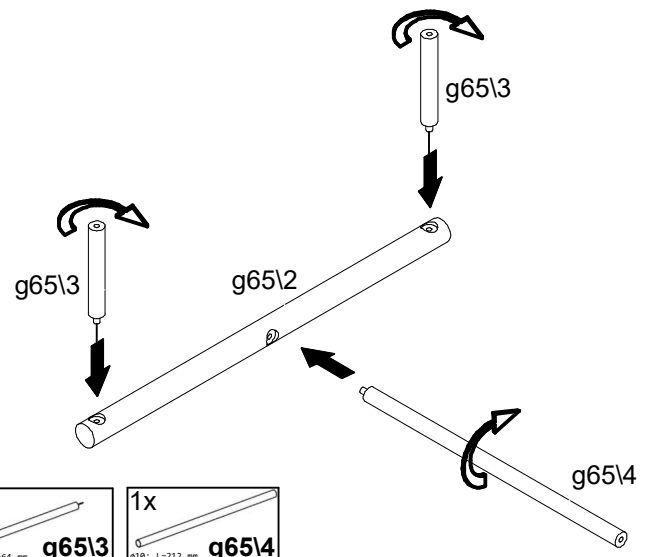


- 6x Ø5x11 mm e4
- 3x g2

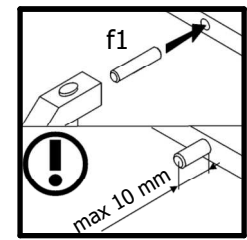


◀ 3

2 ▶

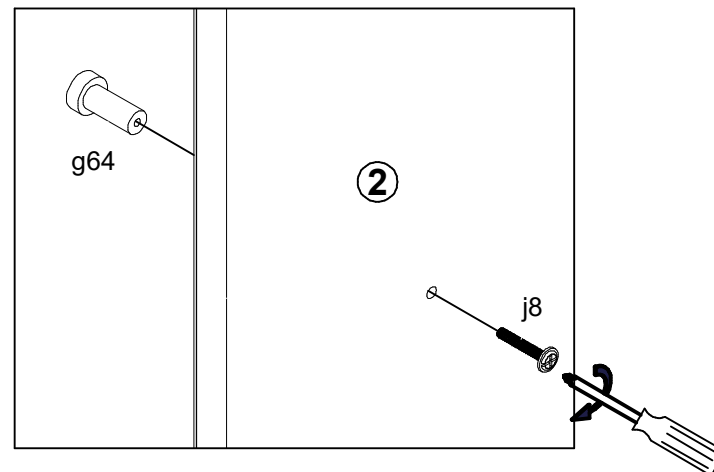
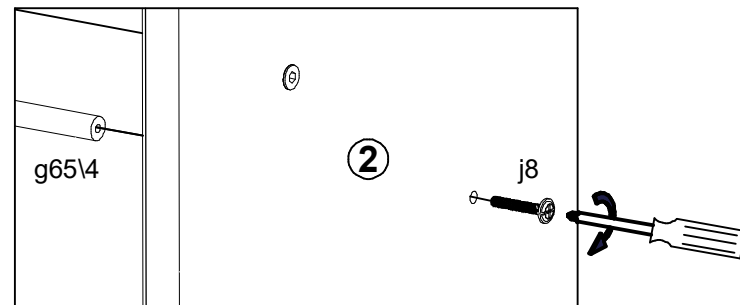
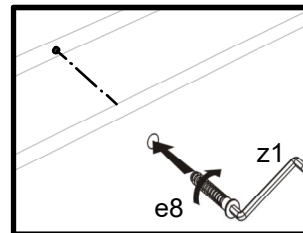
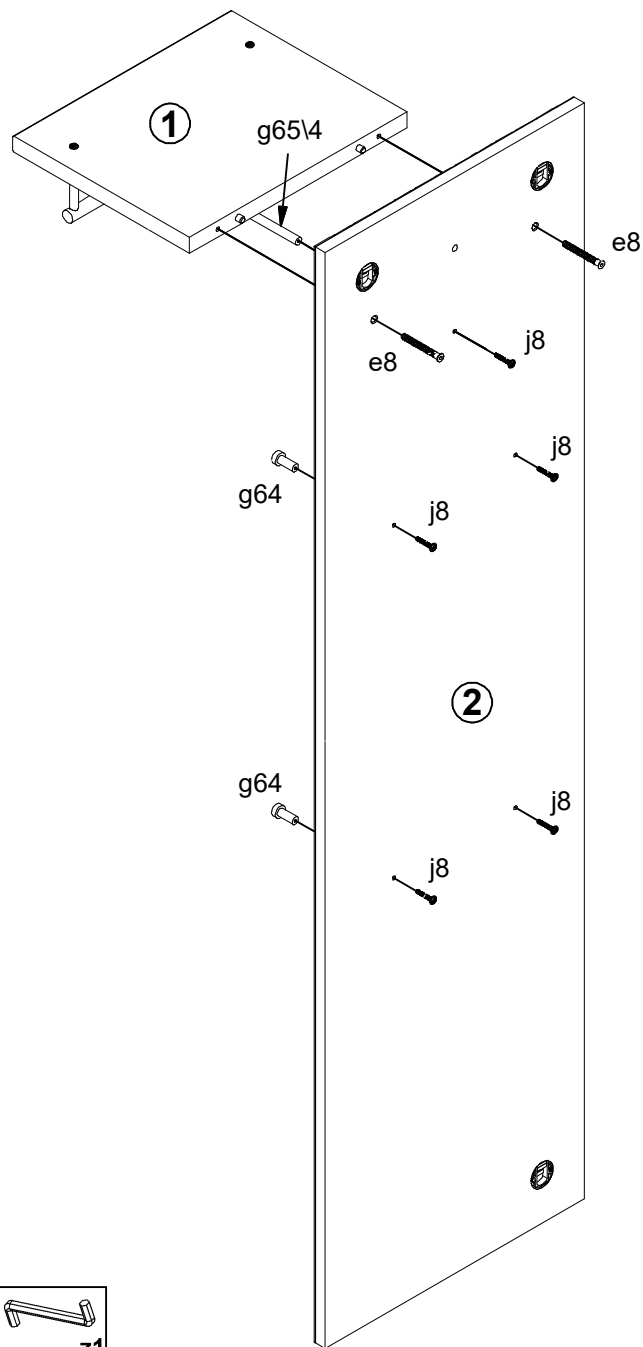


- 2x M4x28 mm j11
- 2x Ø8x30 mm f1



- 1x g65\2 ø16; L=388 mm
- 2x g65\3 ø10; L=64 mm
- 1x g65\4 ø10; L=212 mm

4 ▶

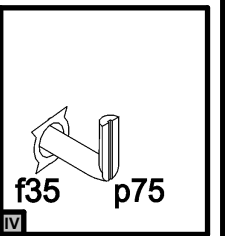
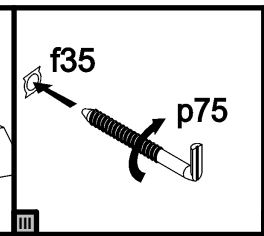
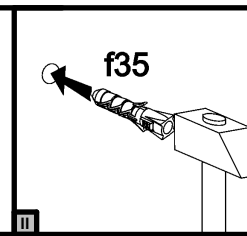
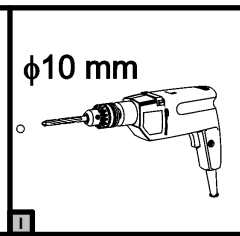
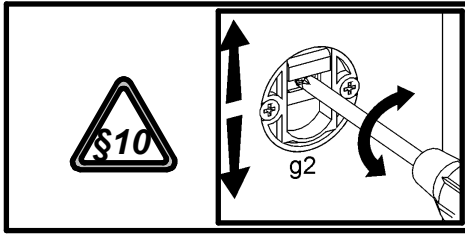
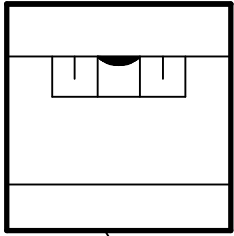


A

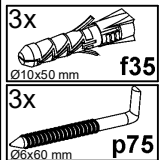
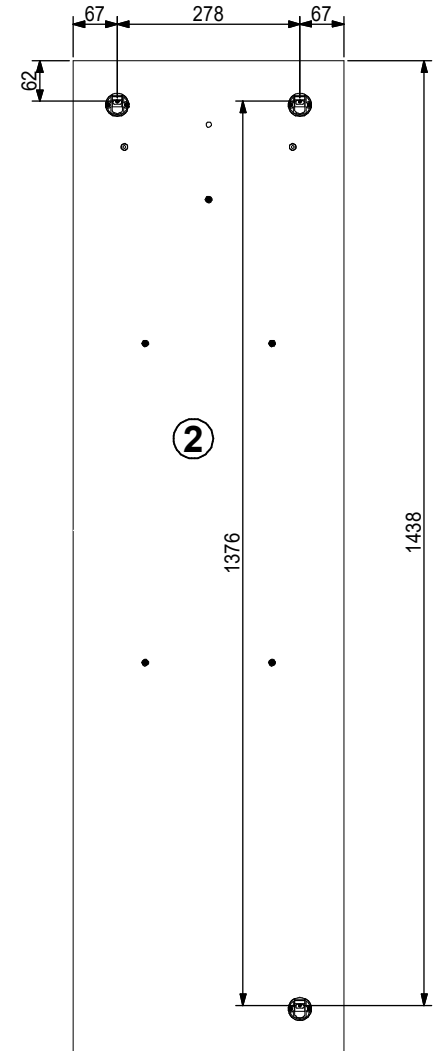
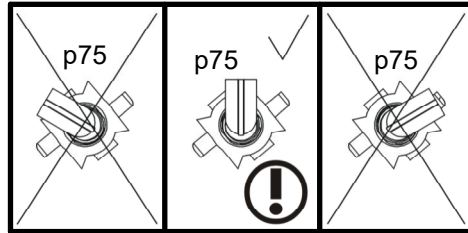
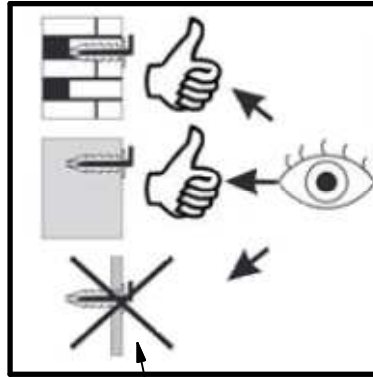
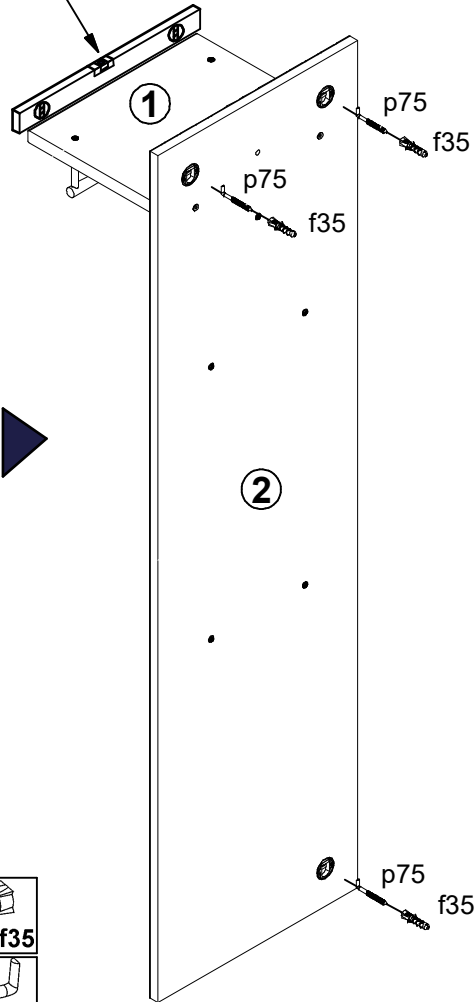
M278-PAN_A

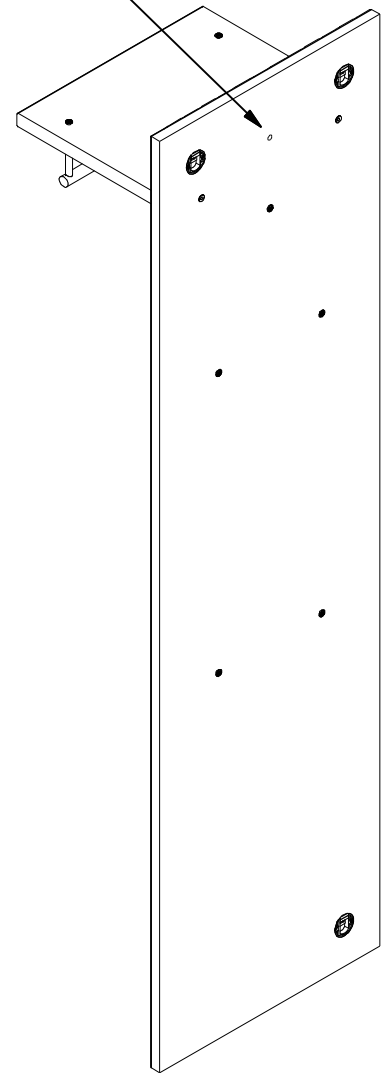
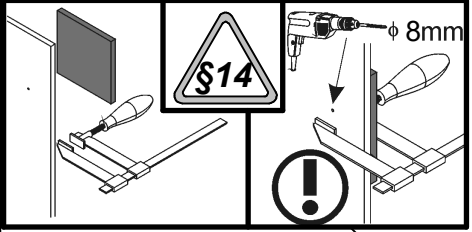
30 H8 99 48

5 / 6

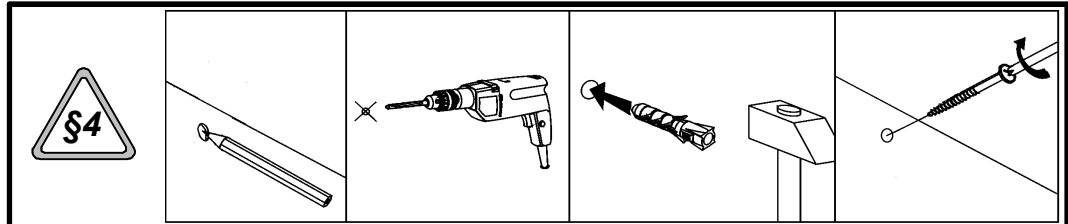
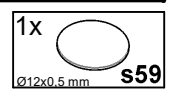
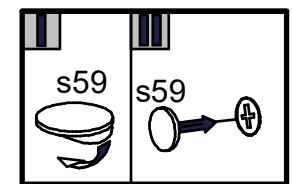
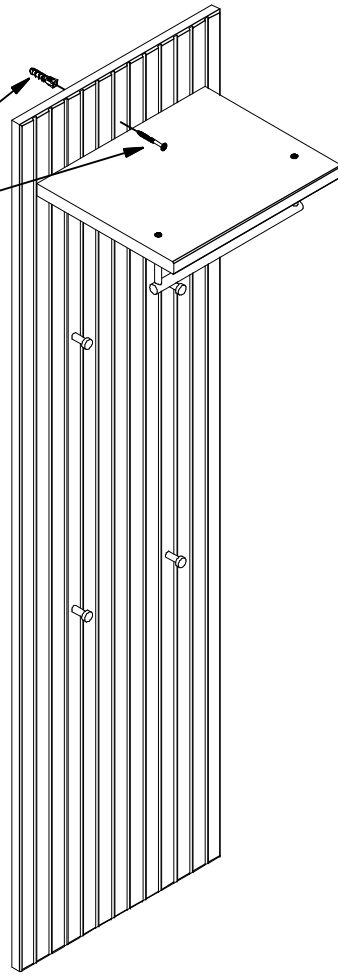
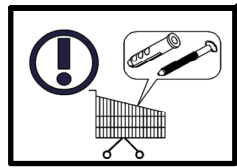


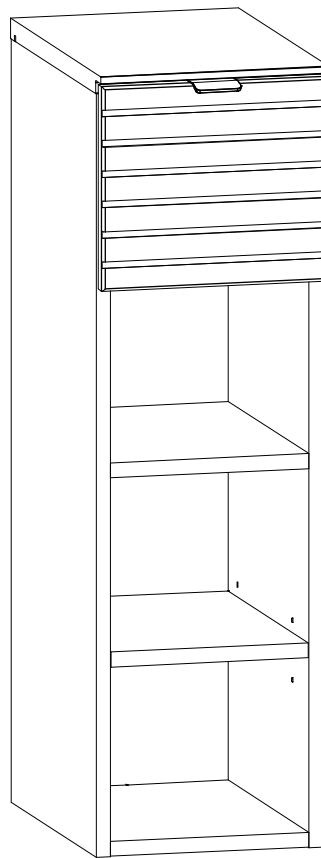
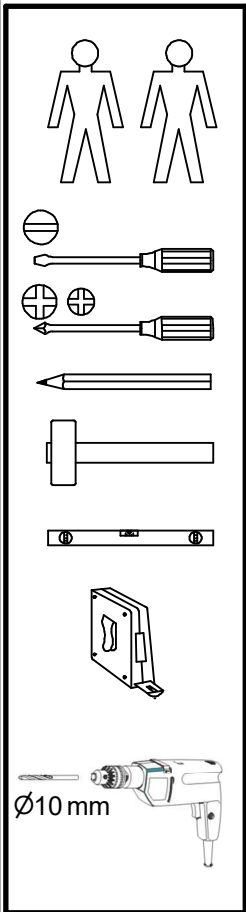
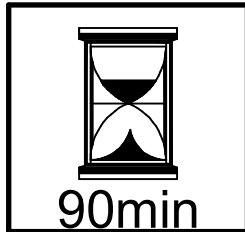
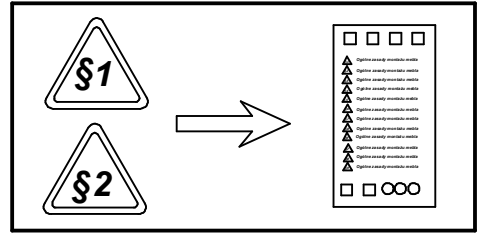
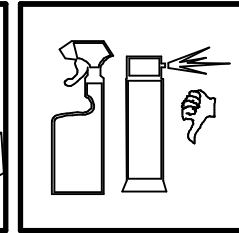
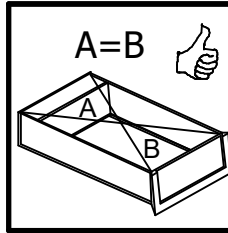
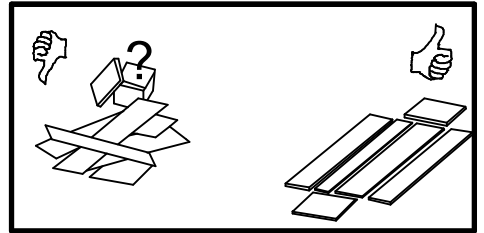
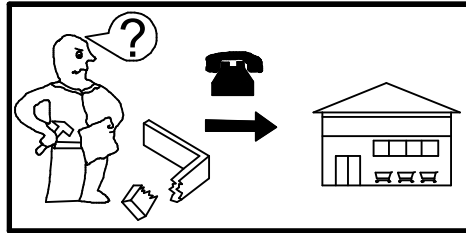
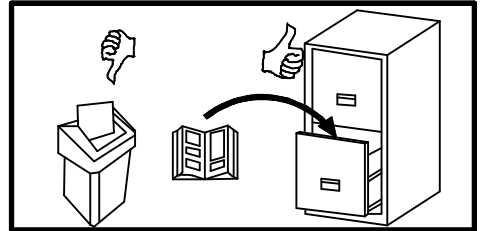
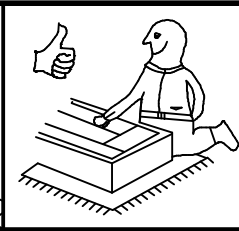
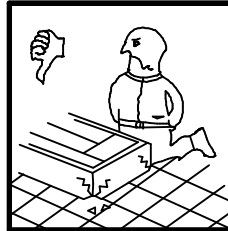
5

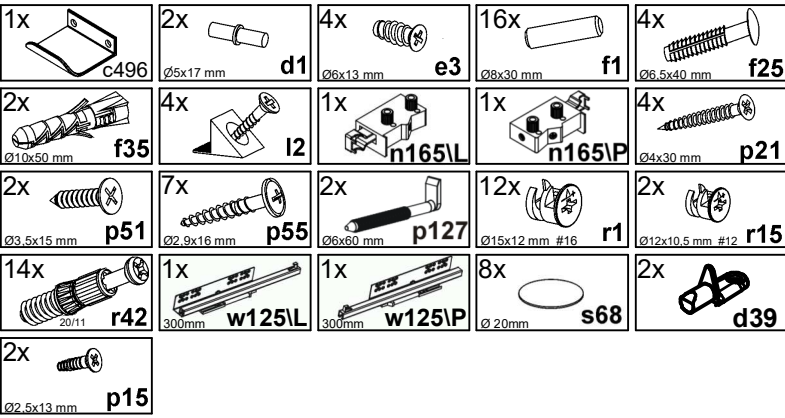




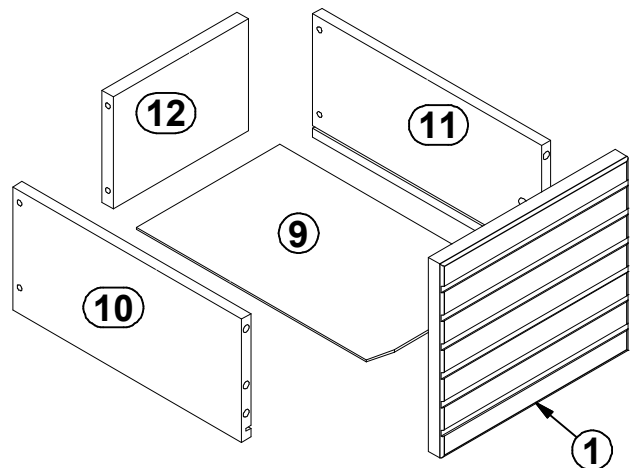
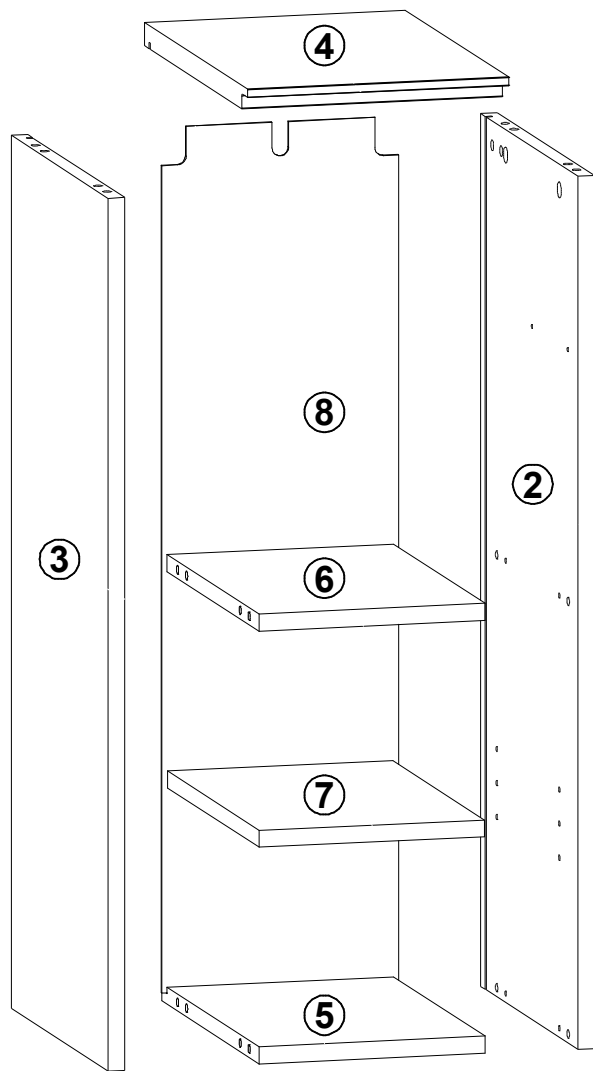
6 ▶

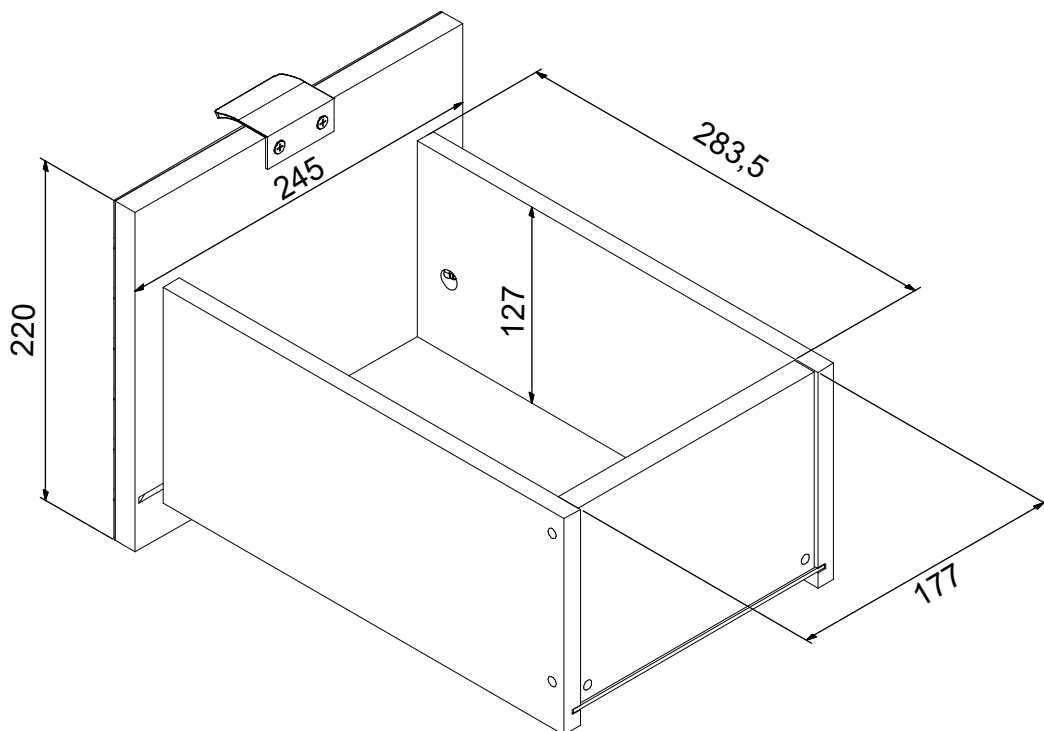
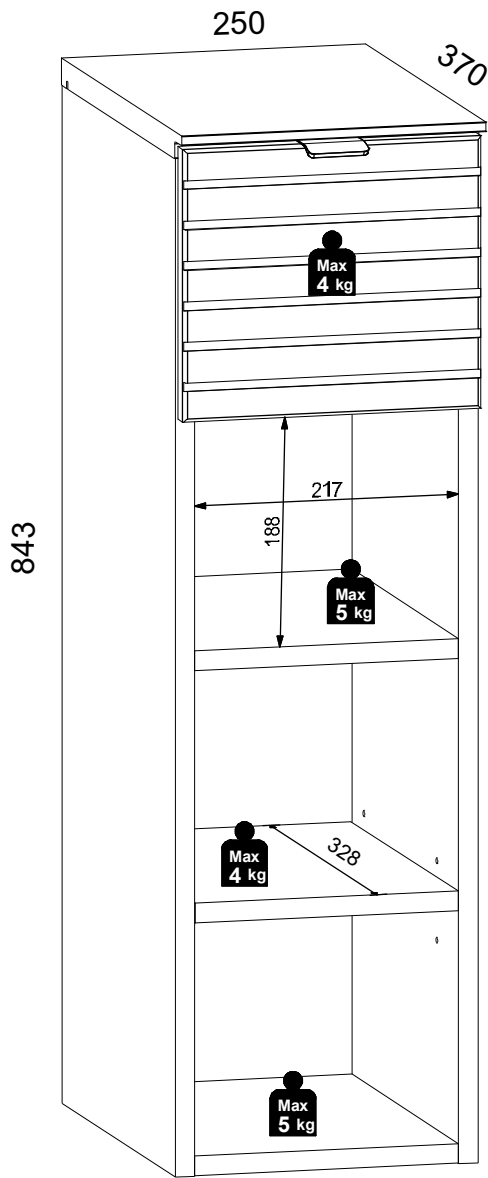






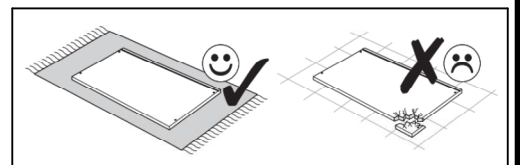
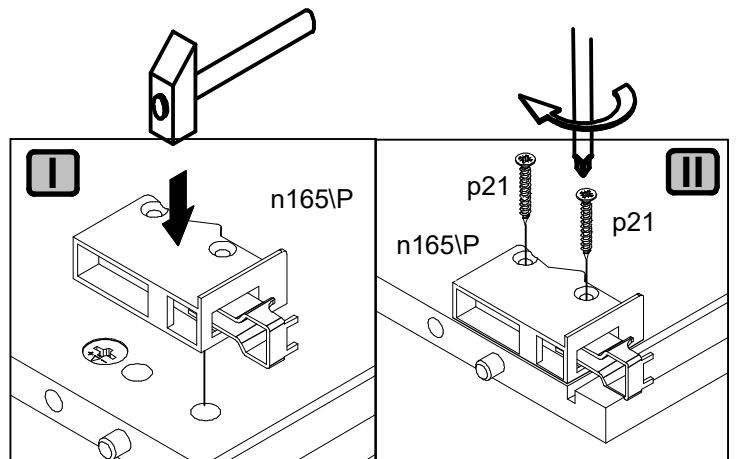
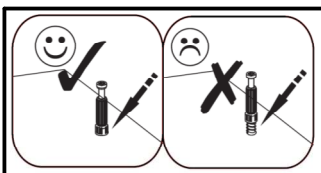
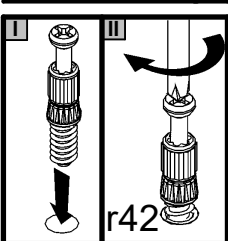
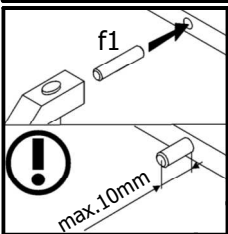
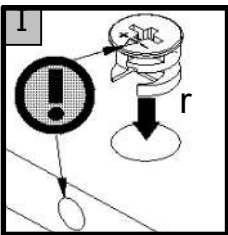
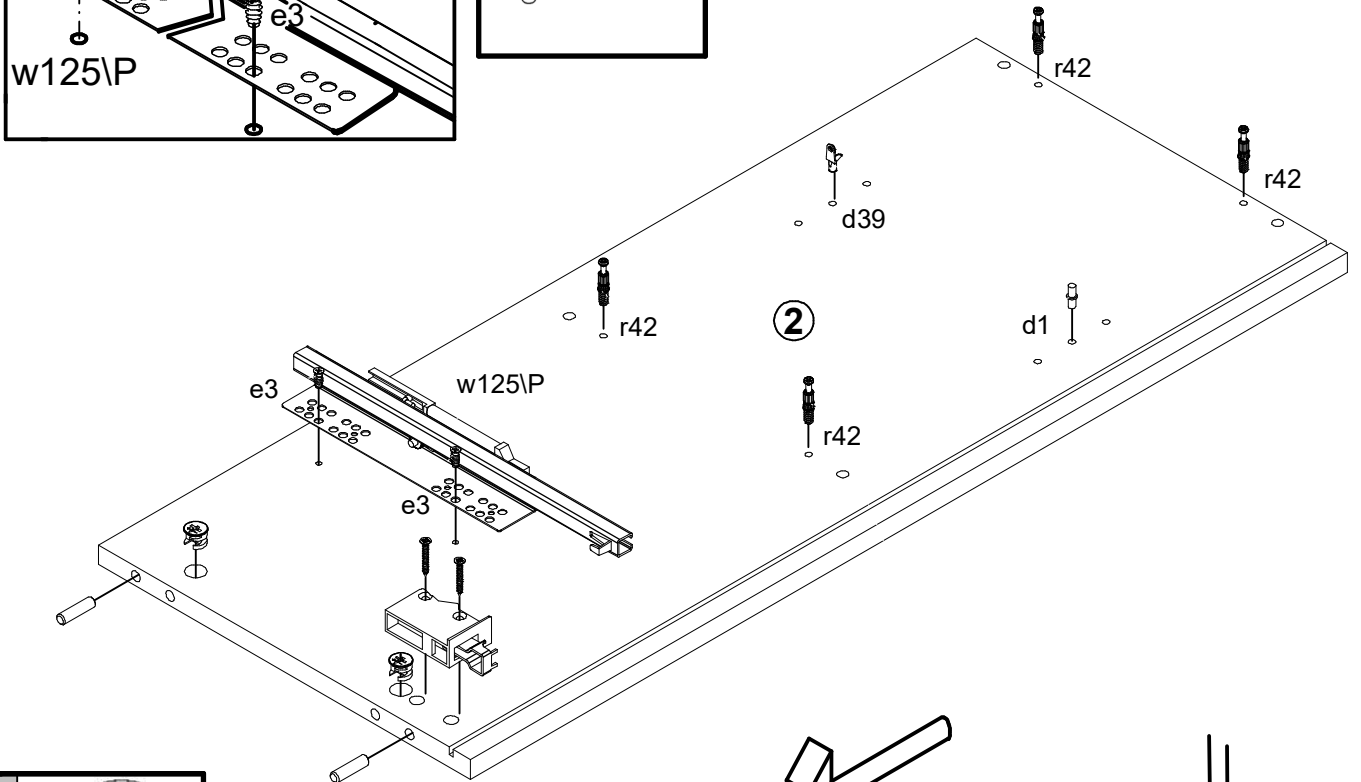
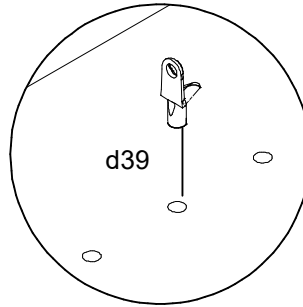
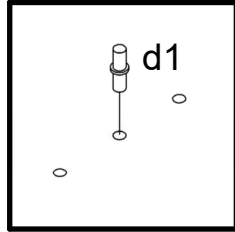
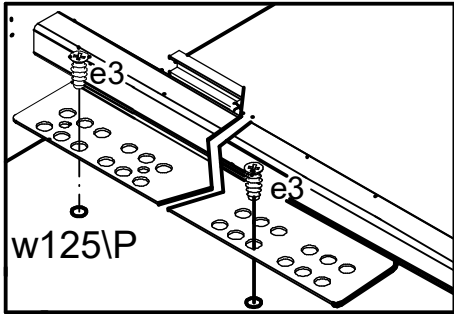
A	B1	B2	C1	C2	C3	C4	D
1	M278-0005	-	245	220	18	1	1/1
2	M278-1005	-	821	348	16	1	1/1
3	M278-1006	-	821	348	16	1	1/1
4	M278-2003	-	250	370	22	1	1/1
5	M278-3007	-	217	348	16	1	1/1
6	M278-3008	-	217	328	16	1	1/1
7	M278-3009	-	216	328	16	1	1/1
8	M278-9001	-	814	227	2,5	1	1/1
9	WSP-9626	-	188	308	2,5	1	1/1
10	WSQ3-5003	-	300	140	12	1	1/1
11	WSQ3-5004	-	300	140	12	1	1/1
12	ZQ6-5447	-	177	127	15	1	1/1





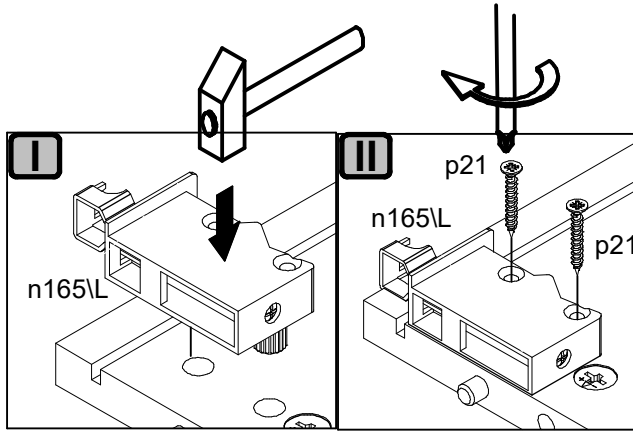
1 ▶

2x Ø6x13 mm e3	1x 300mm w125\P	2x Ø8x30 mm f1	2x Ø15x12 mm #16 r1	4x 20/11 r42
			1x Ø5x17 mm d39	1x Ø5x17 mm d1
				1x n165\P
				2x Ø4x30 mm p21

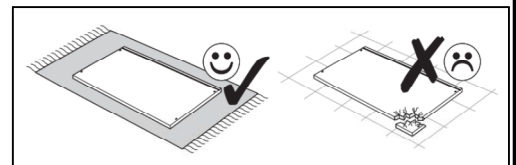
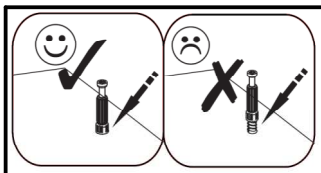
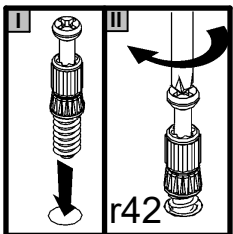
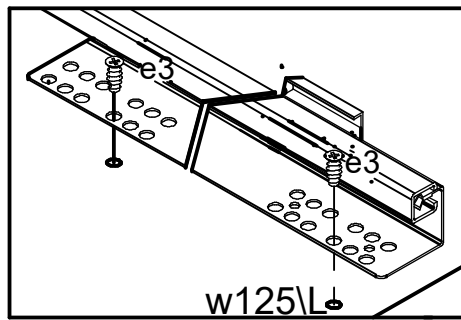
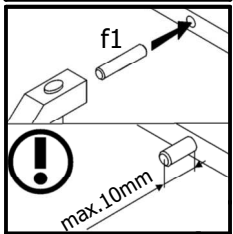
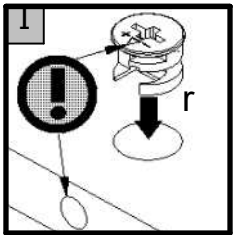
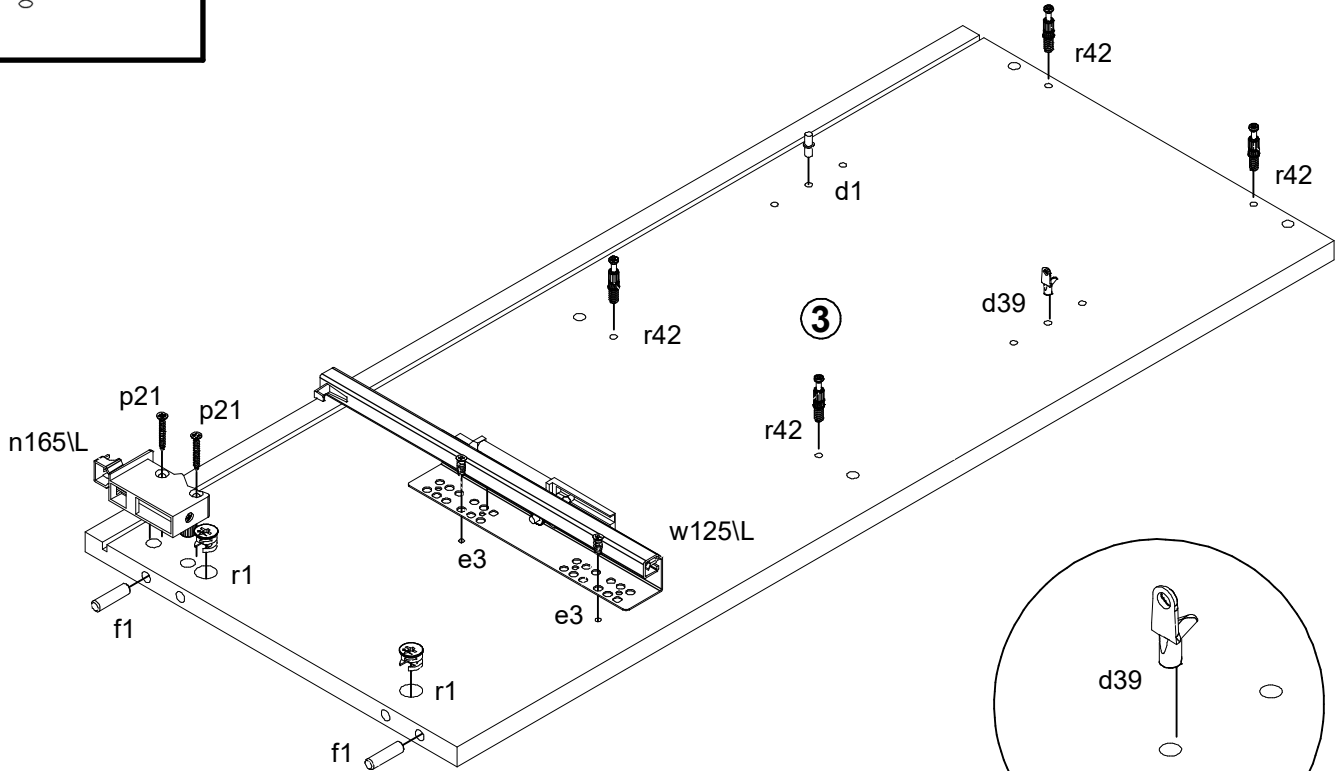
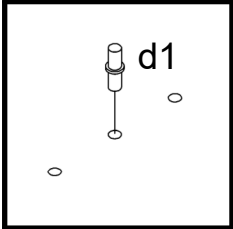


2x Ø6x13 mm e3	1x 300mm w125\L	2x Ø8x30 mm f1	2x Ø15x12 mm #16 r1	4x 20/11 r42
----------------------	-----------------------	----------------------	---------------------------	--------------------

2 ▶

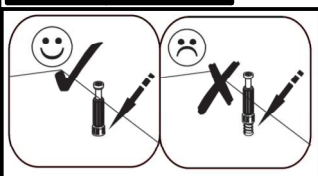
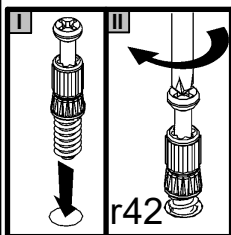
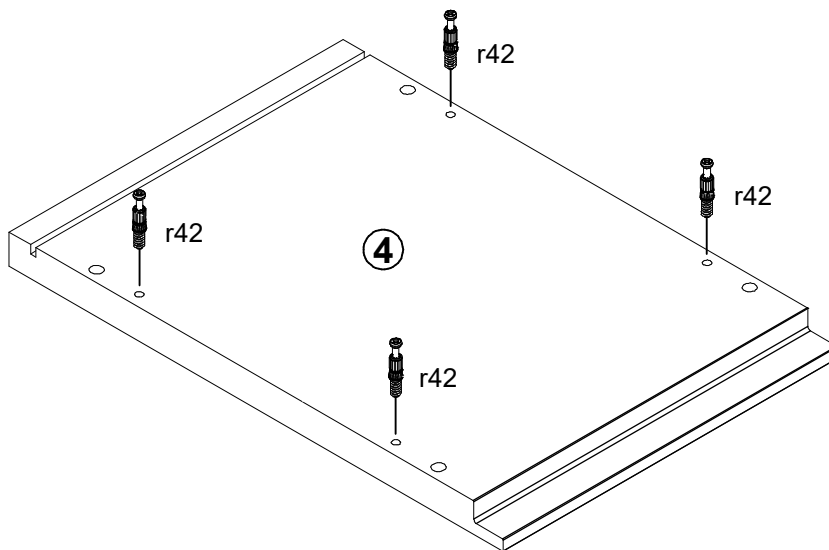


1x Ø5x17 mm d1
1x n165\L
2x Ø4x30 mm p21
1x d39

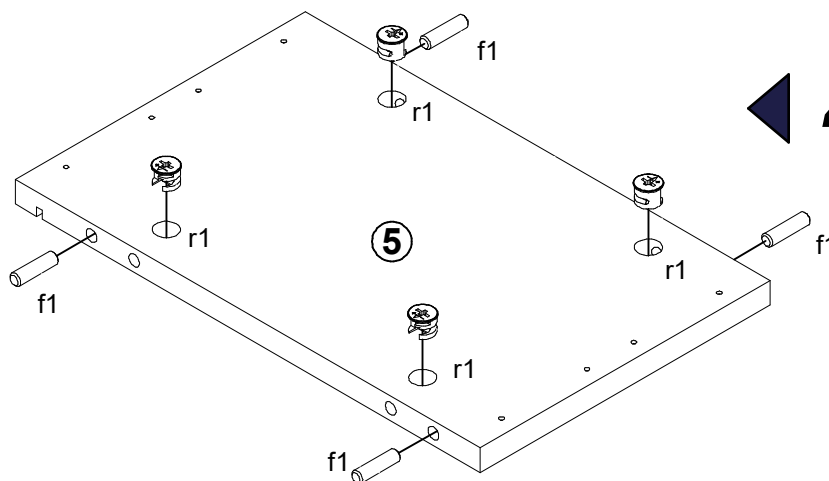


4x 20/11 r42	8x Ø8x30 mm f1	8x Ø15x12 mm #16 r1
--------------------	----------------------	---------------------------

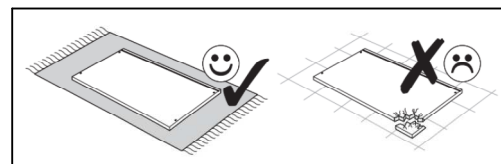
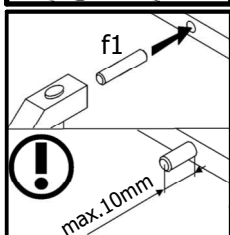
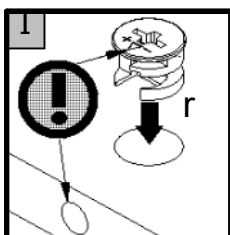
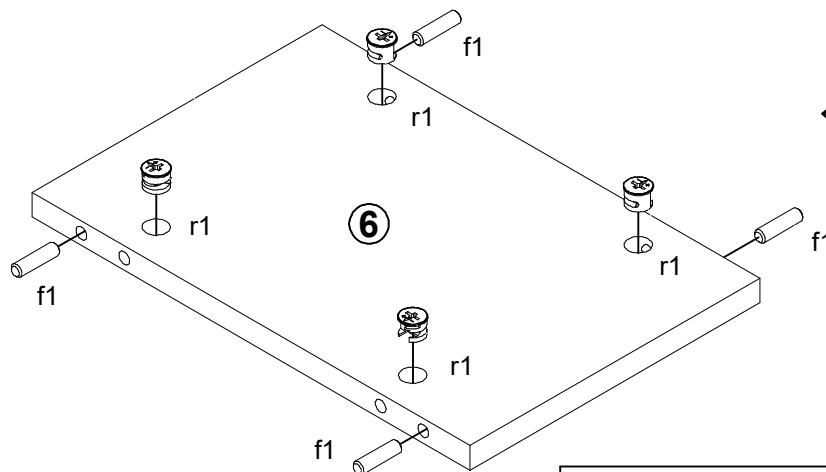
3 ▶

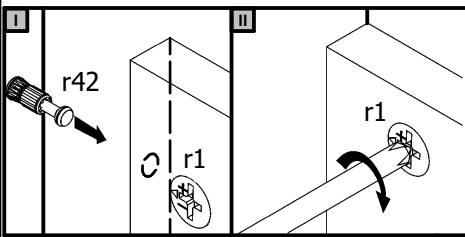
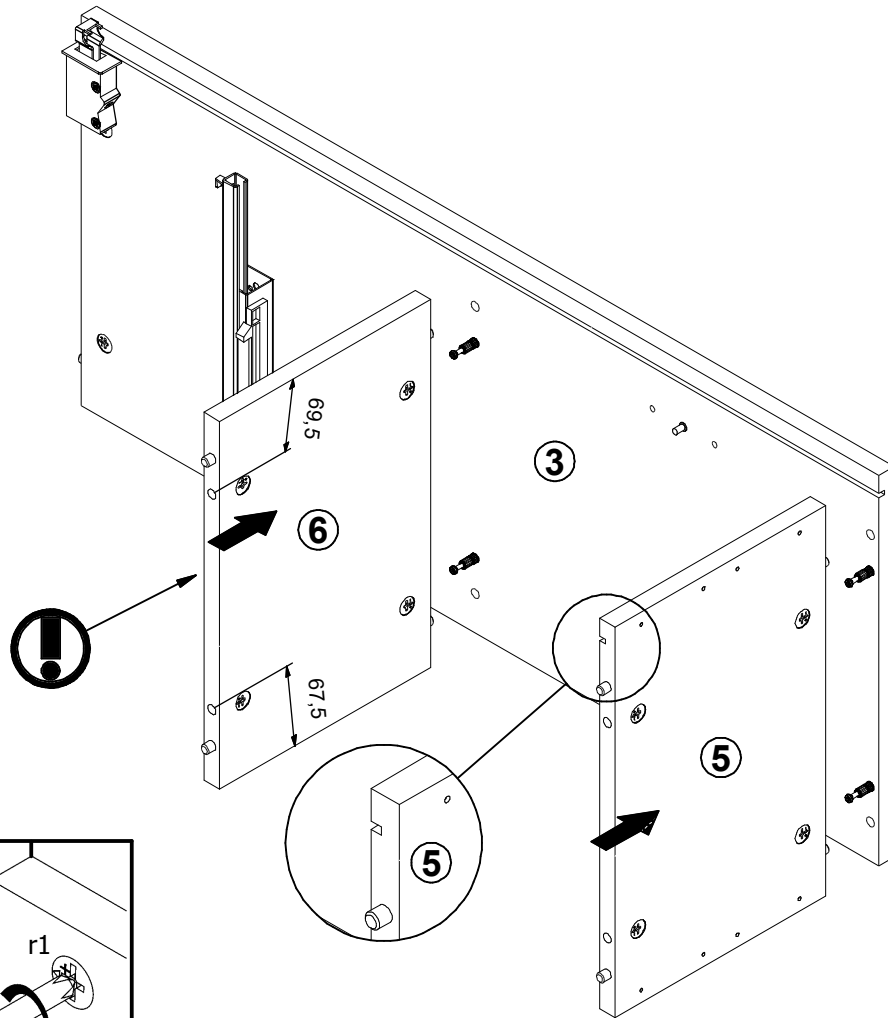
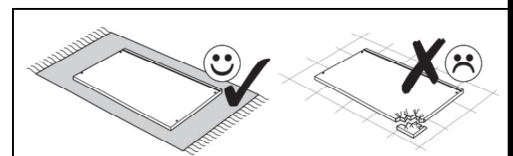
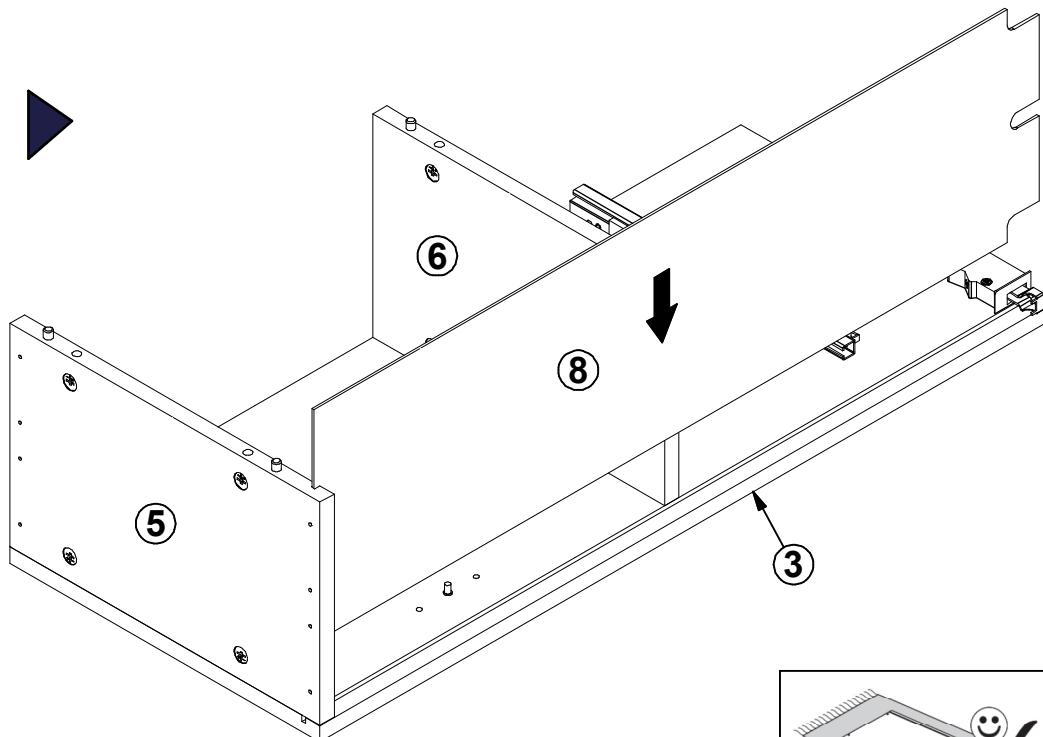


◀ 4

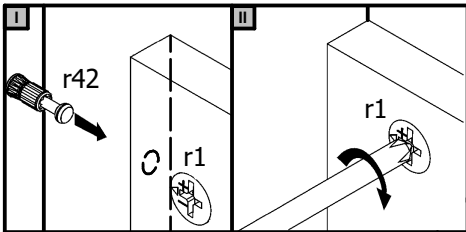
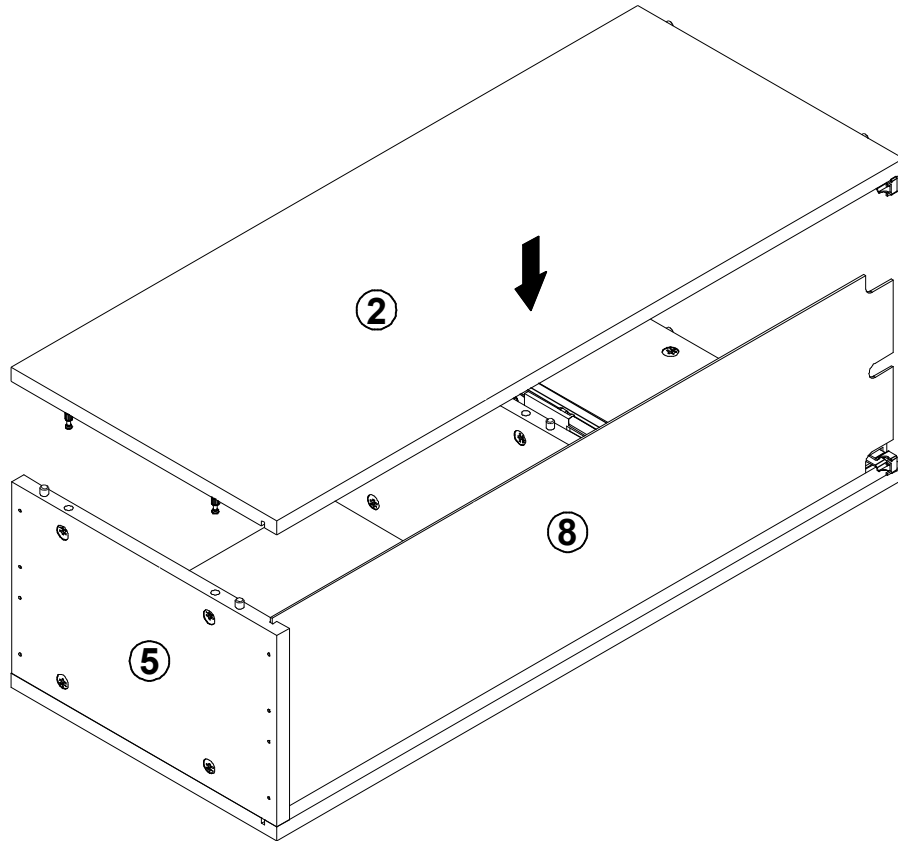


◀ 5

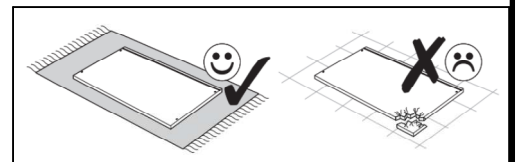
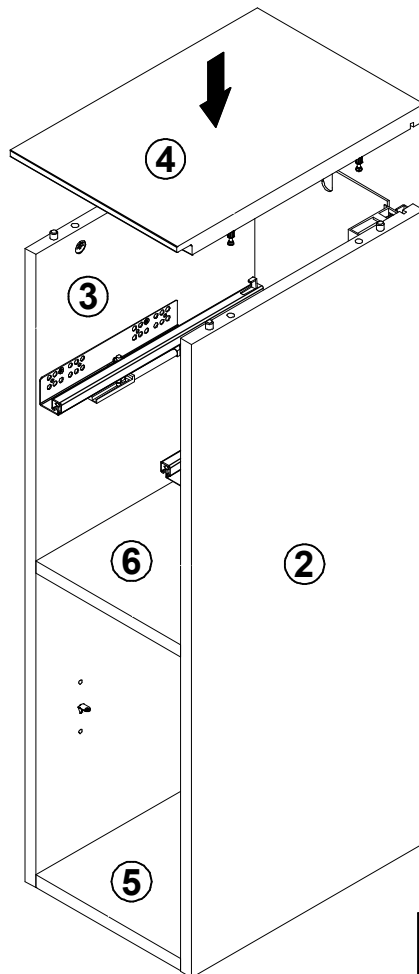


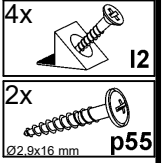
6 ▶**7** ▶

8 ▶

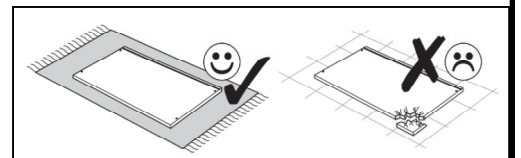
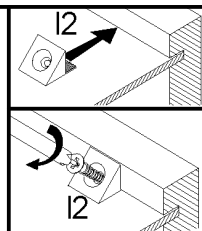
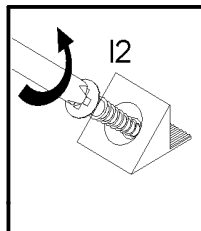
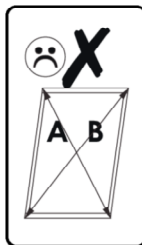
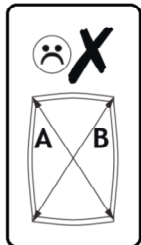
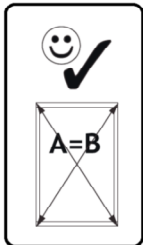
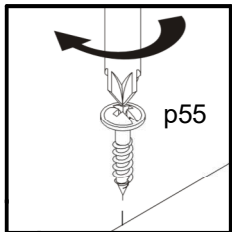
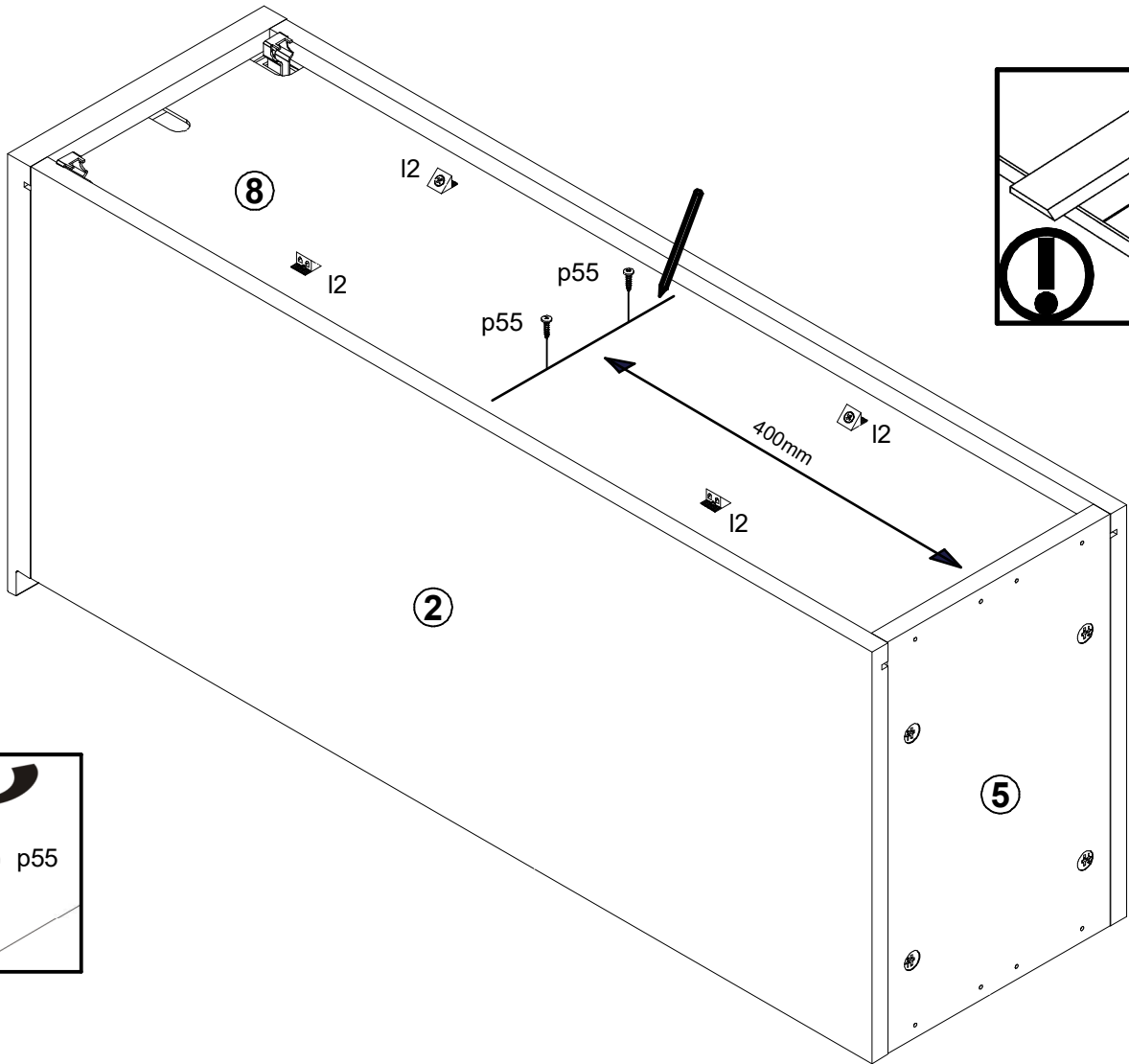


9 ▶

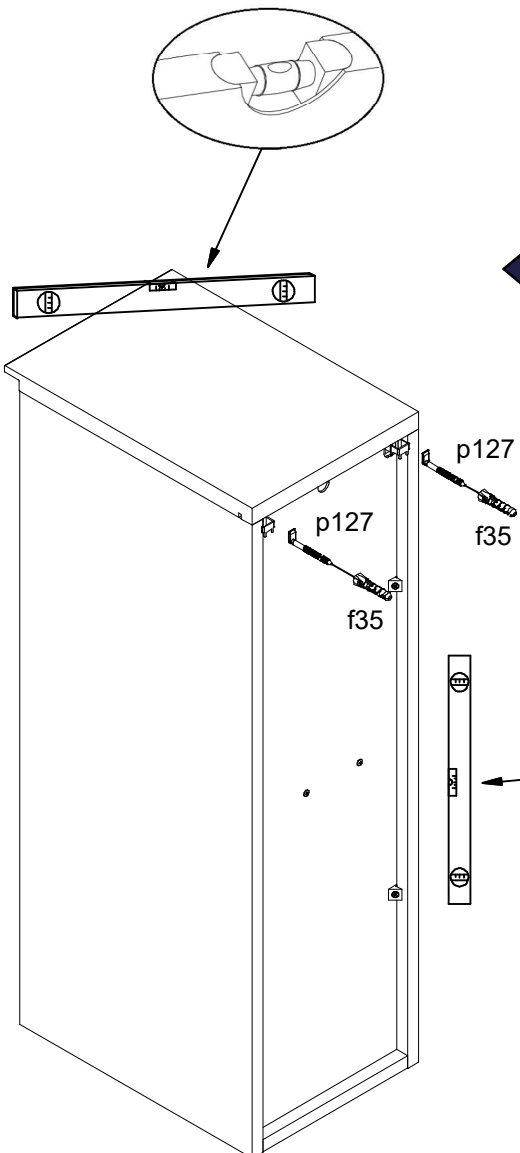
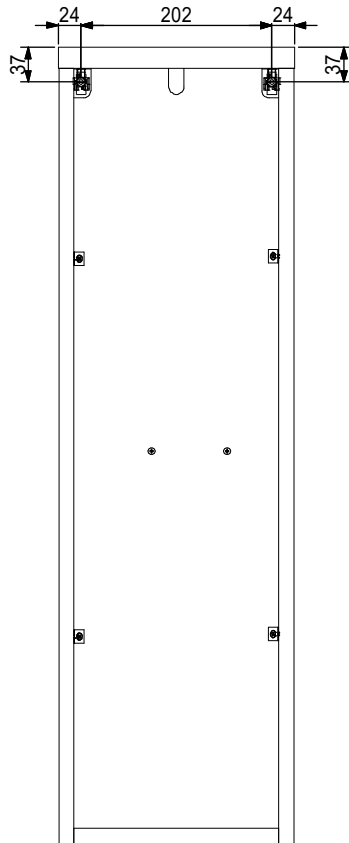




10 ▶



11 ▶



▶ 12

	$\phi 10$ mm 			
--	------------------	--	--	--

--	--	--	--

--	--

--	--

--	--	--

2x 	$\phi 10 \times 50$ mm f35
2x 	$\phi 6 \times 60$ mm p127


--	--	--

A


M278-SFW1S


30 H8 99 25

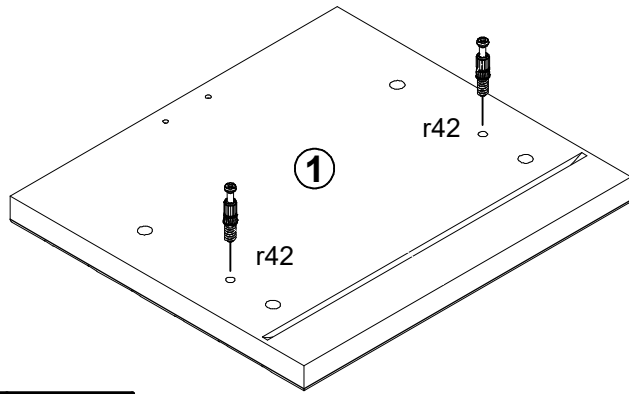
11 / 13

2x  **r15**
Ø12x10,5 mm #12

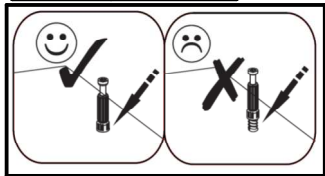
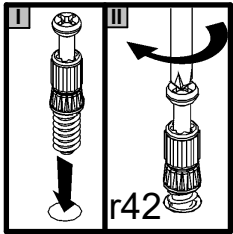
2x  **r42**
20/11

4x  **f25**
Ø6,5x40 mm

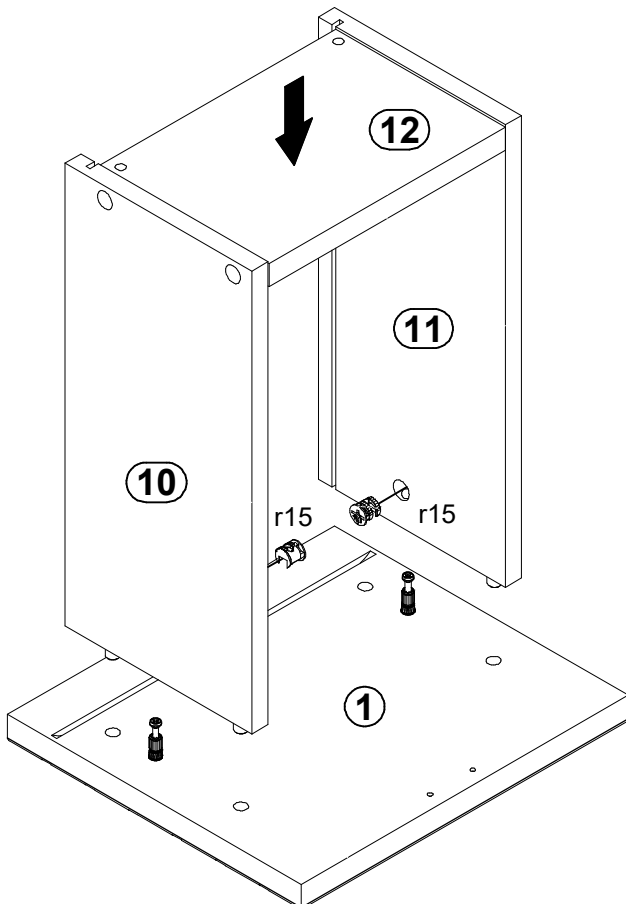
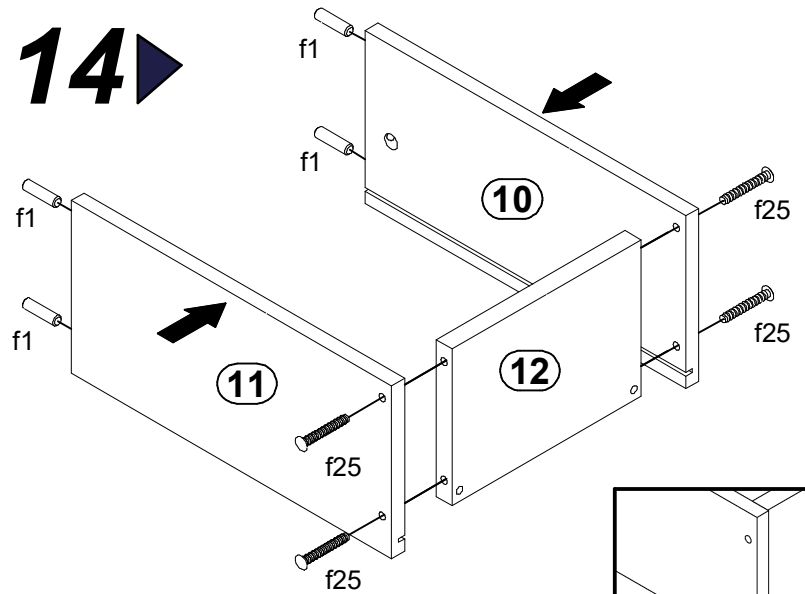
4x  **f1**
Ø8x30 mm



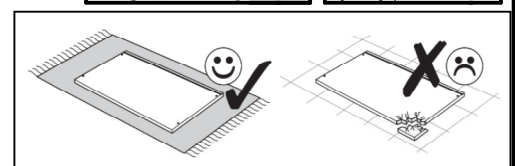
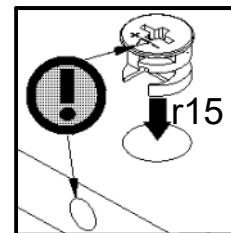
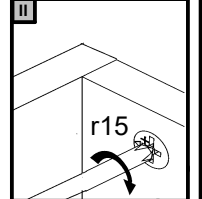
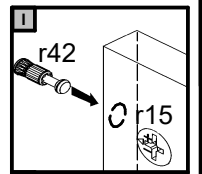
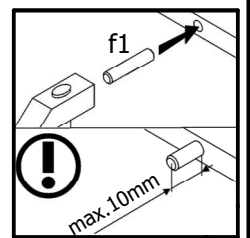
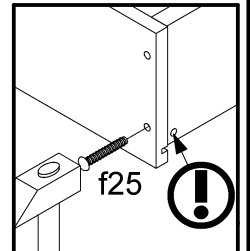
13



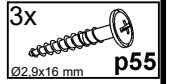
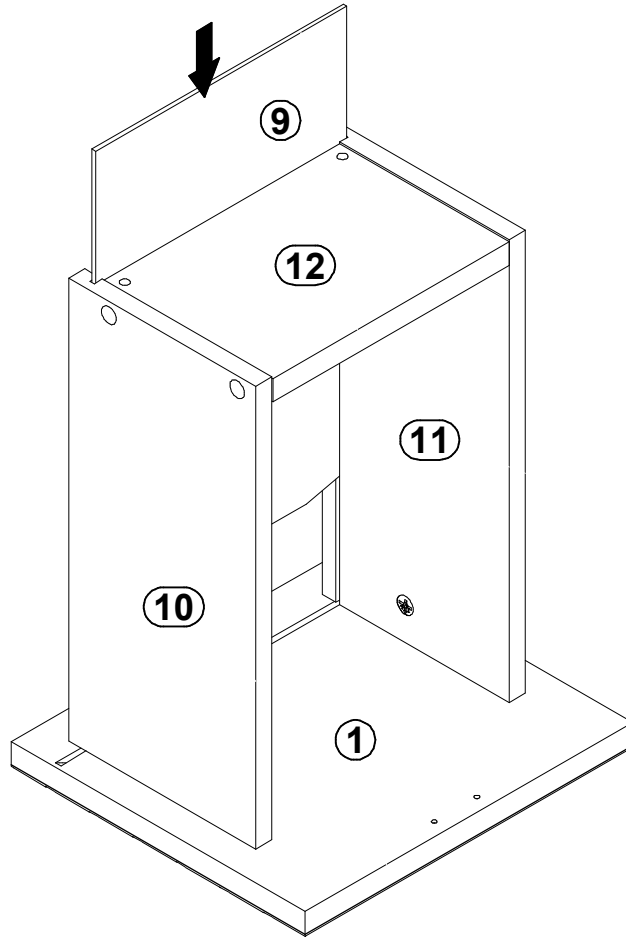
14



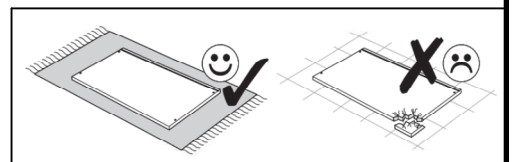
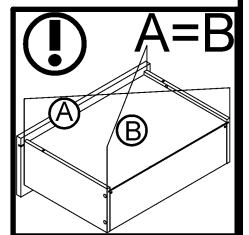
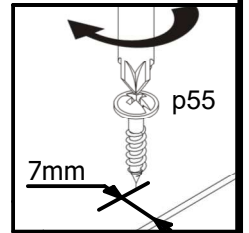
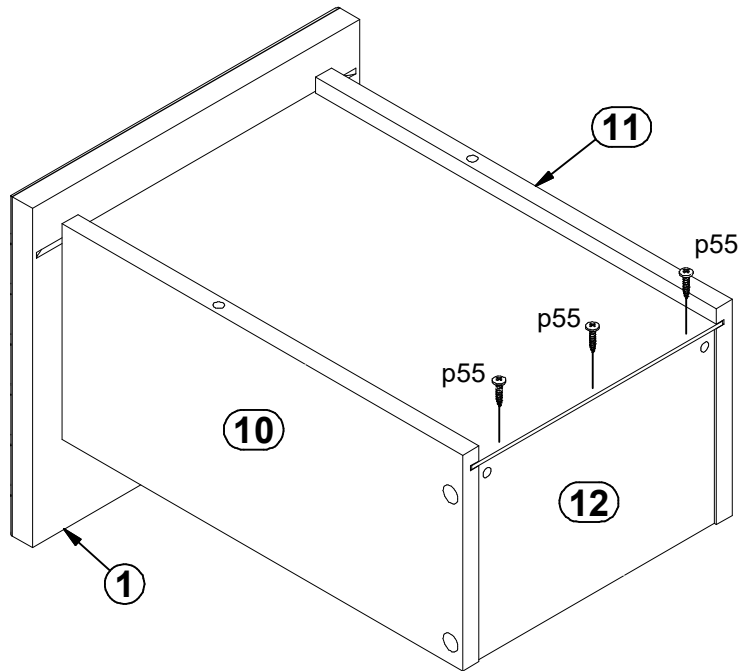
15






16 ▶

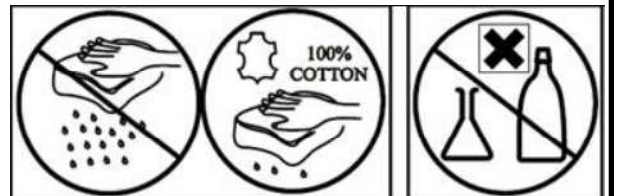
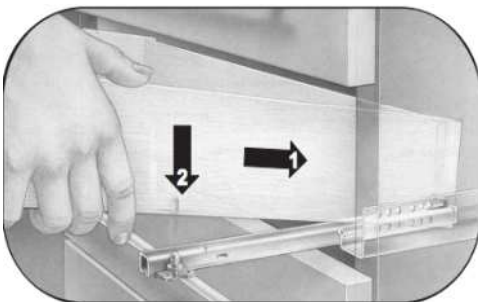
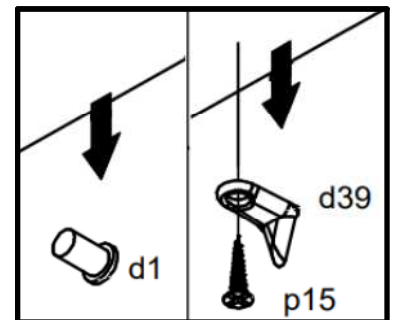
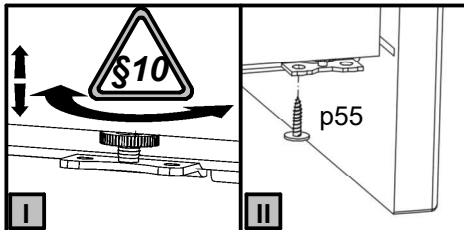
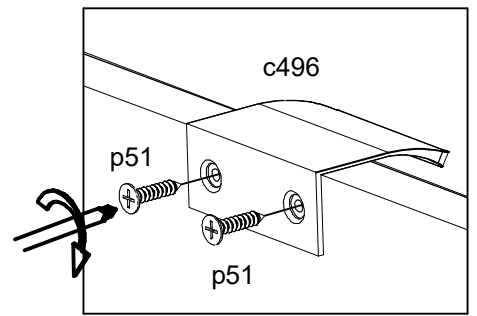
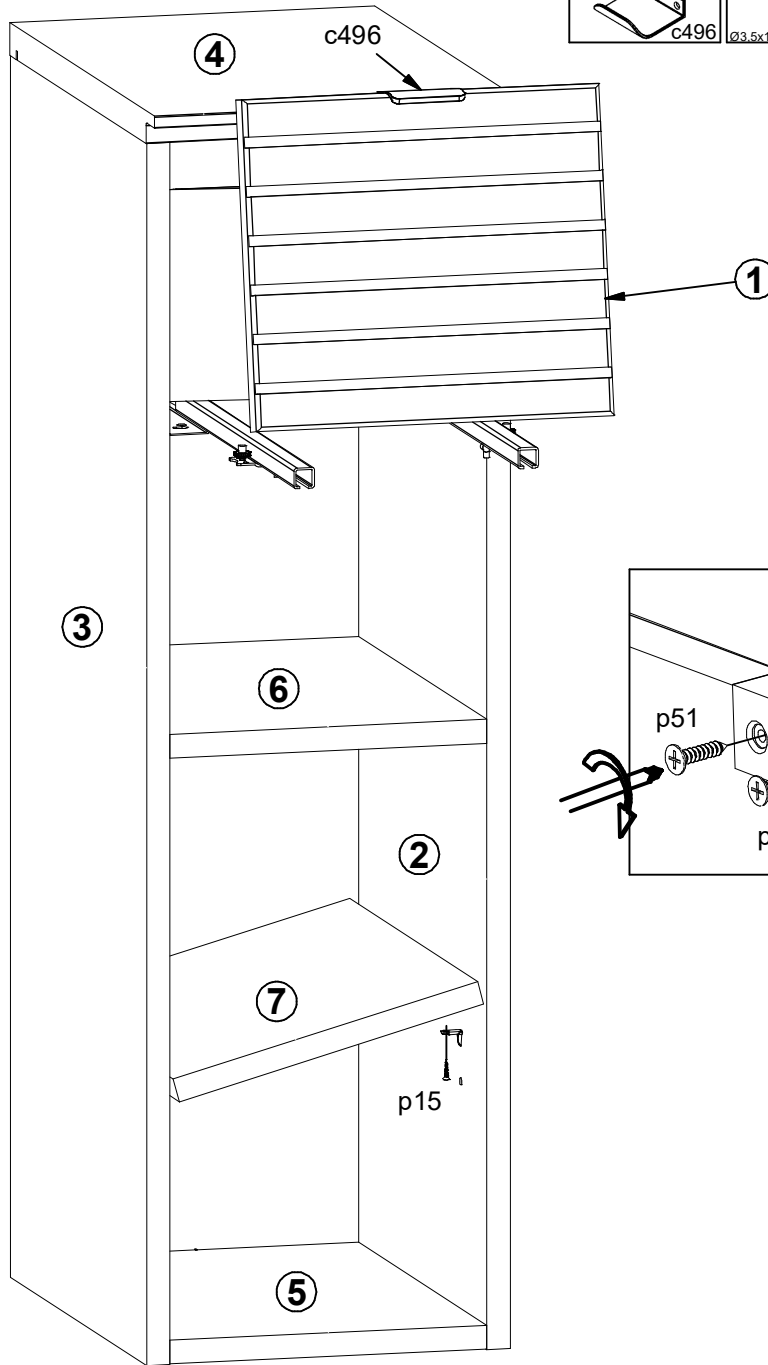


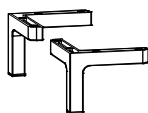
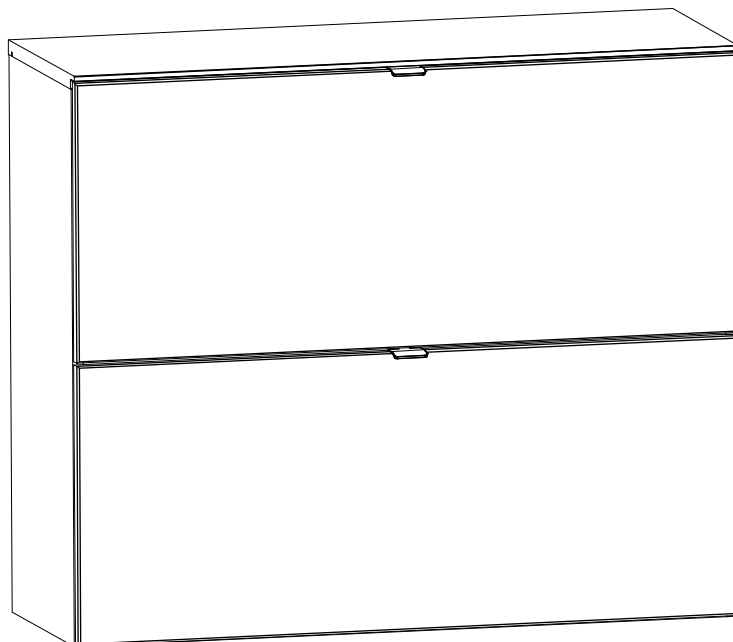
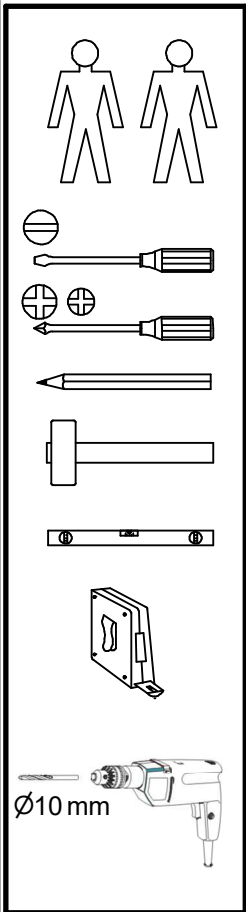
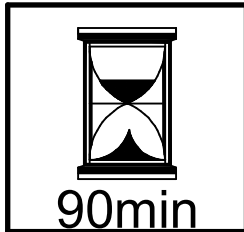
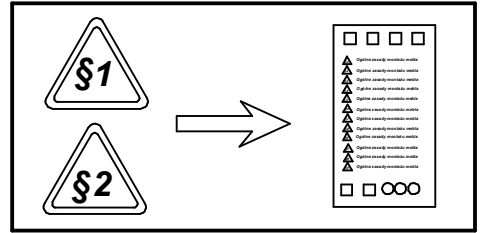
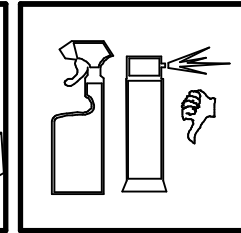
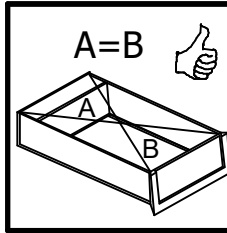
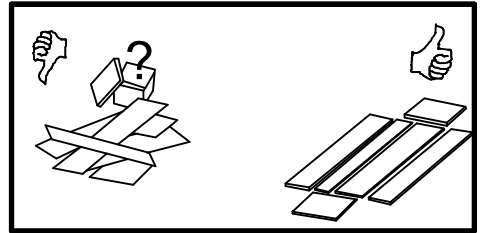
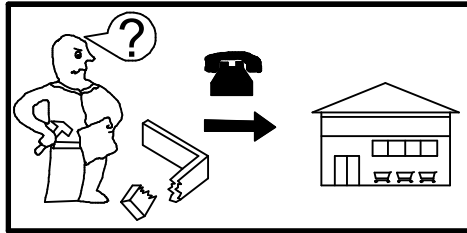
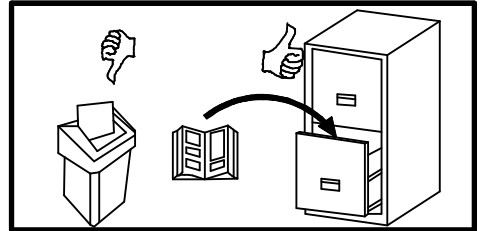
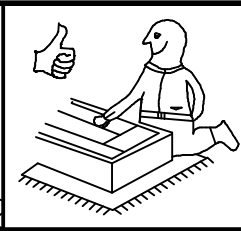
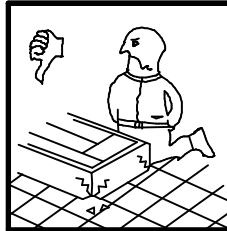
17 ▶



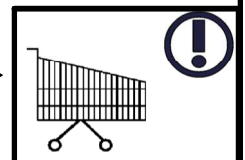
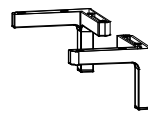
18 ▶

- 1x  c496
- 2x  p51 Ø3.5x15 mm
- 2x  p55 Ø2.9x16 mm



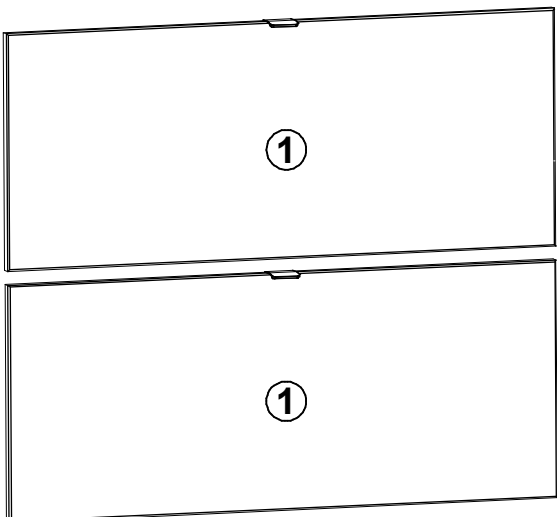
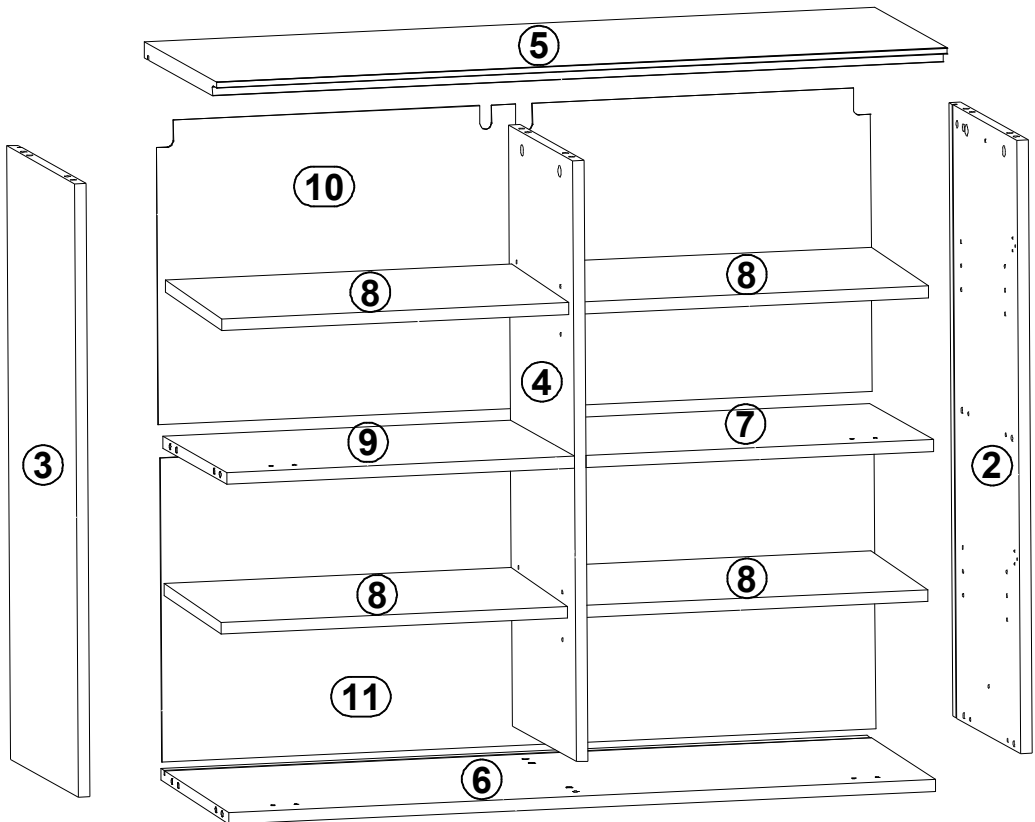
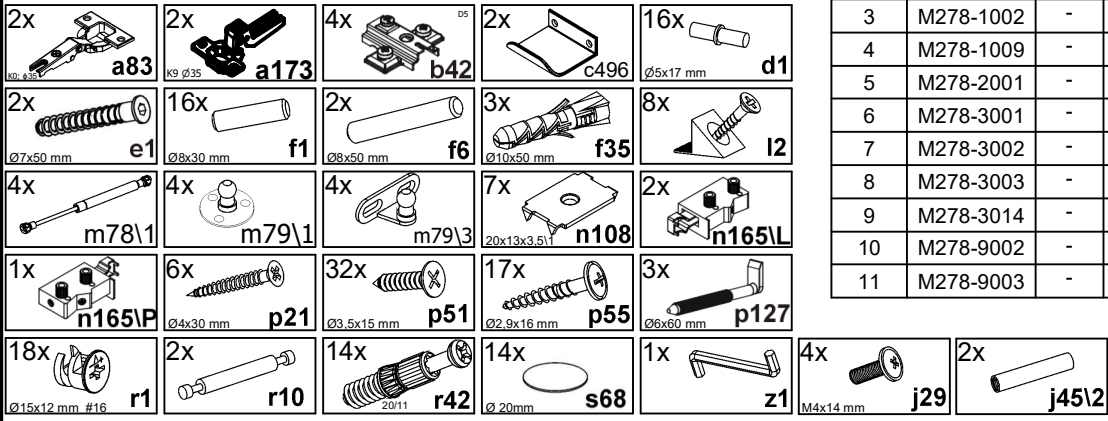


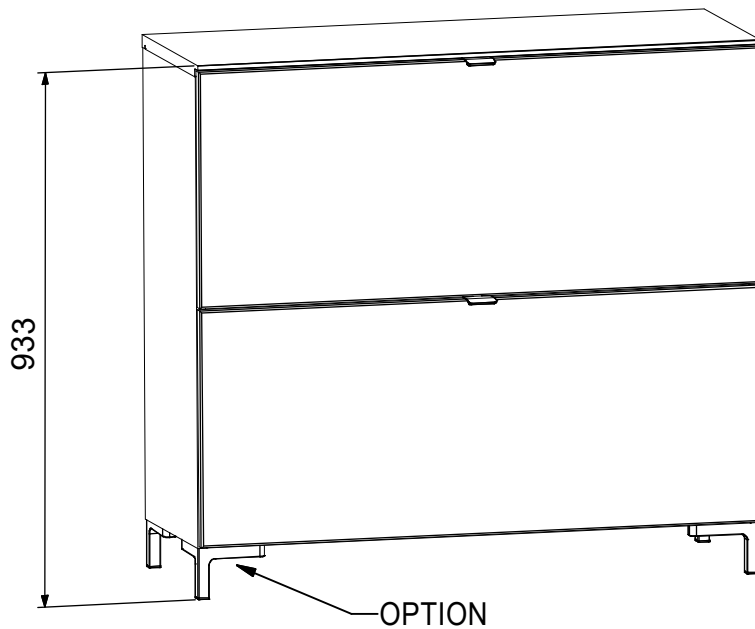
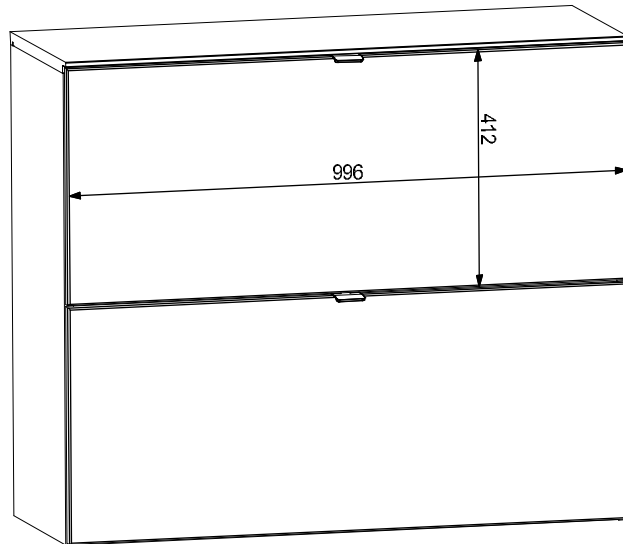
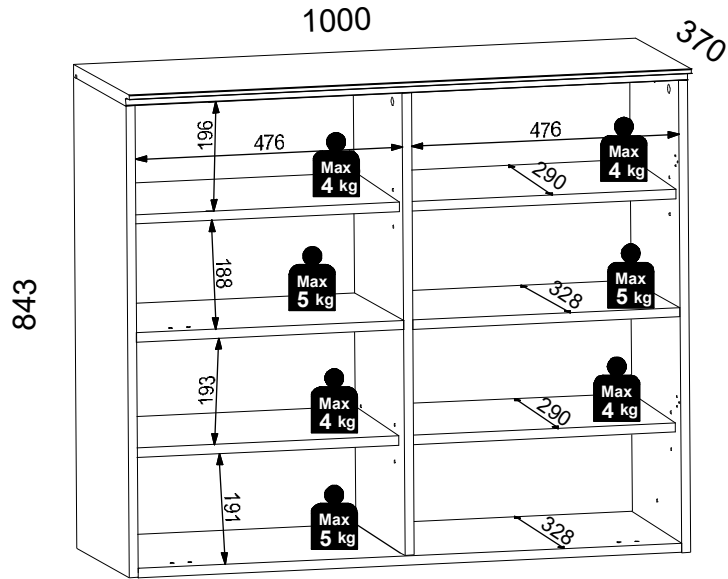
OPTION
99 03 01 95





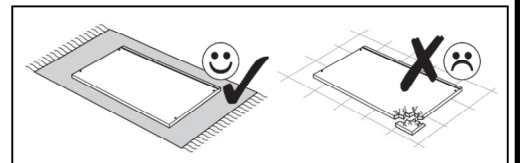
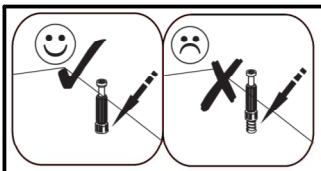
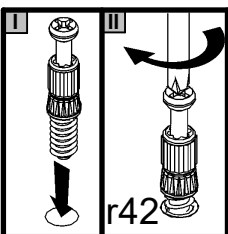
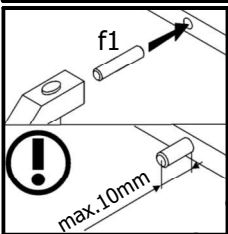
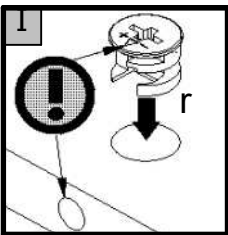
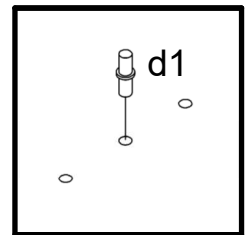
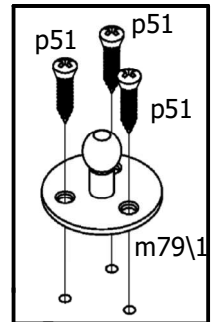
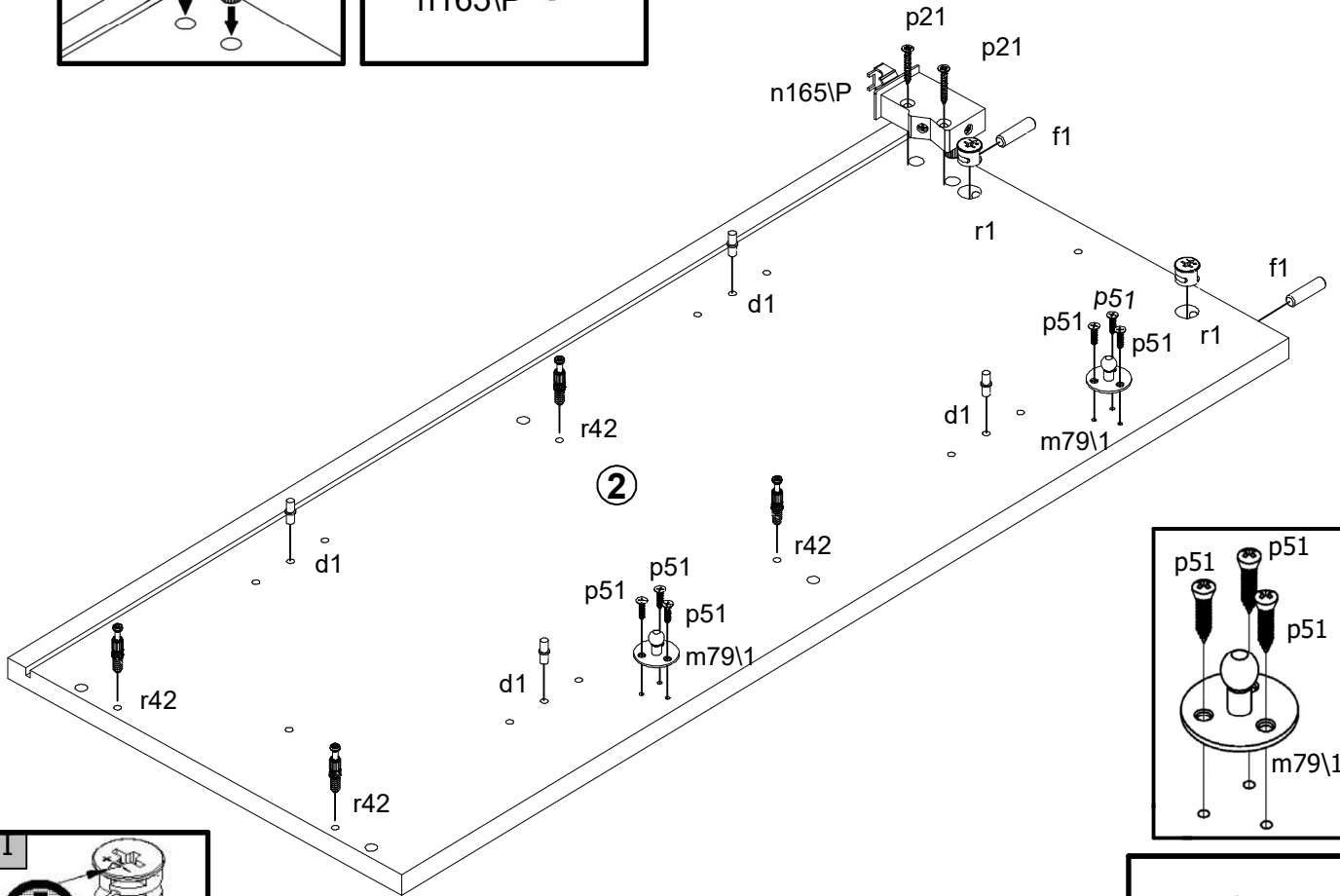
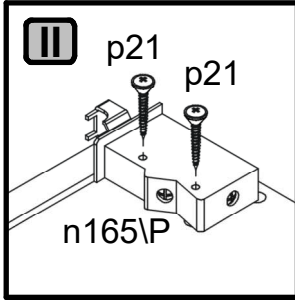
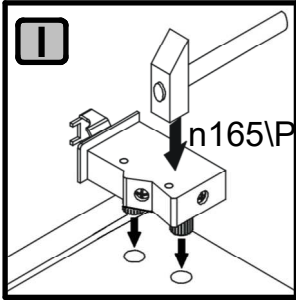
A	B1	B2	C1	C2	C3	C4	D
1	M278-0001	-	996	412	18	2	2/2
2	M278-1001	-	821	348	16	1	1/2
3	M278-1002	-	821	348	16	1	1/2
4	M278-1009	-	804,5	328	16	1	2/2
5	M278-2001	-	1001	370	22	1	1/2
6	M278-3001	-	968	348	16	1	1/2
7	M278-3002	-	476	328	16	1	1/2
8	M278-3003	-	475	290	16	4	1/2
9	M278-3014	-	476	328	16	1	1/2
10	M278-9002	-	978	407	2,5	1	2/2
11	M278-9003	-	978	407	2,5	1	2/2





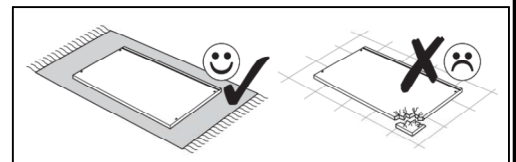
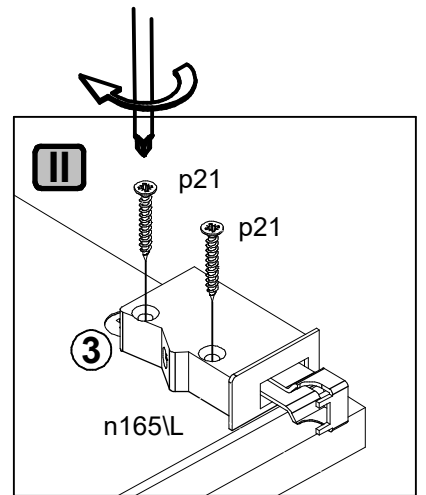
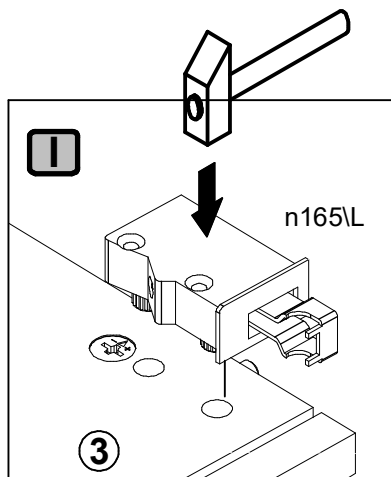
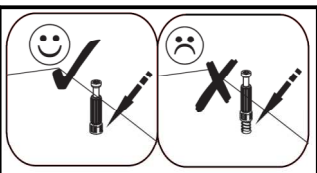
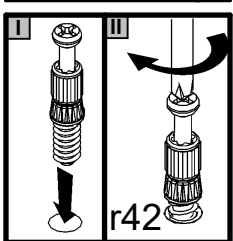
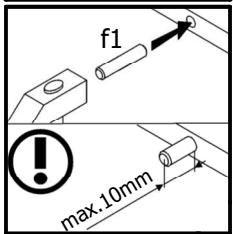
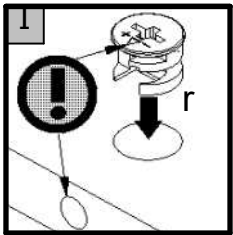
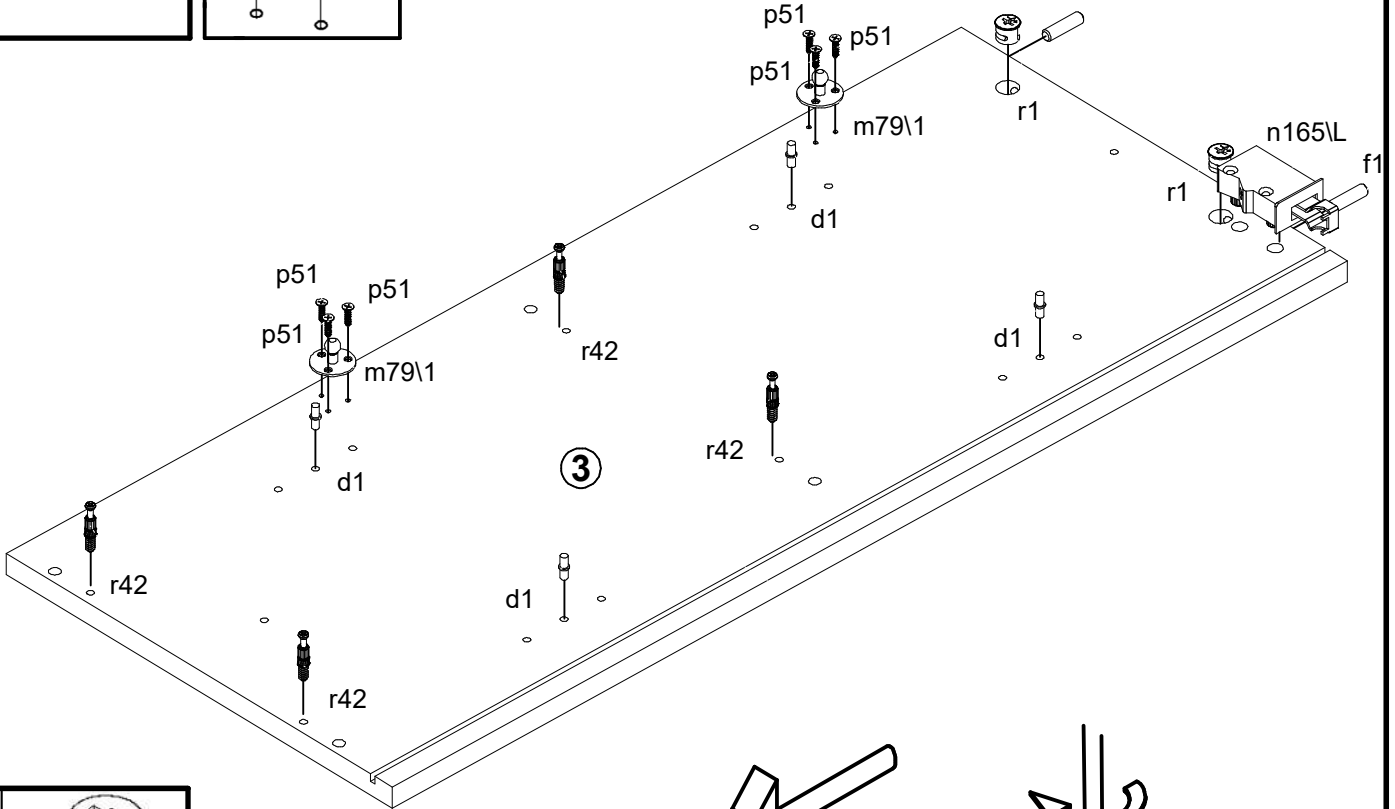
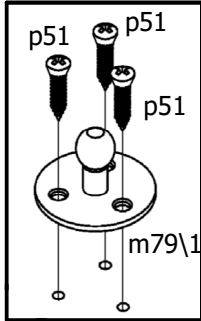
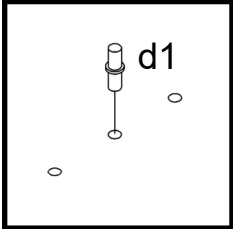
1 ▶

- 2x $\varnothing 8 \times 30$ mm f1
- 2x $\varnothing 15 \times 12$ mm #16 r1
- 4x 20/11 r42
- 2x m79\1
- 6x $\varnothing 3.5 \times 15$ mm p51
- 4x $\varnothing 5 \times 17$ mm d1
- 1x n165\P
- 2x $\varnothing 4 \times 30$ mm p21



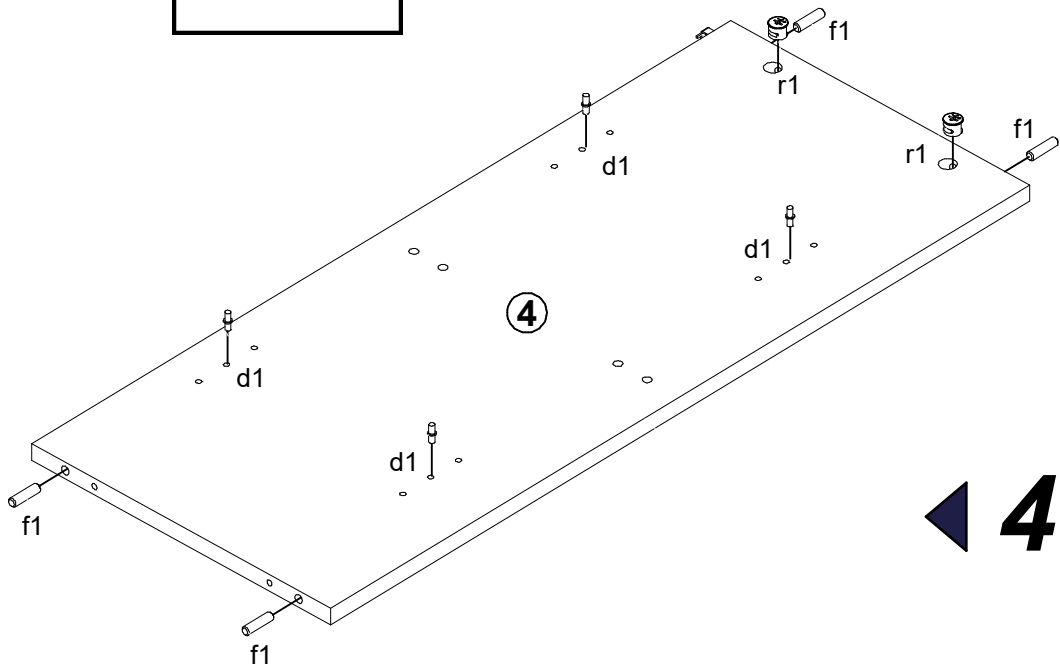
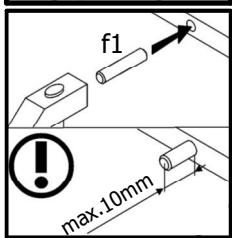
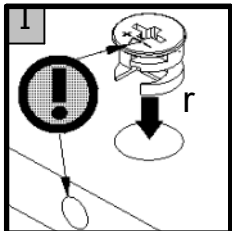
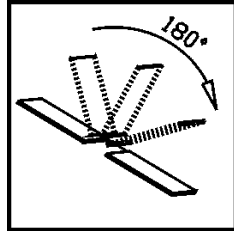
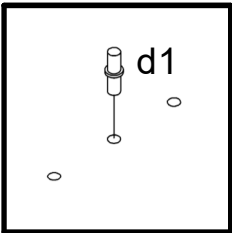
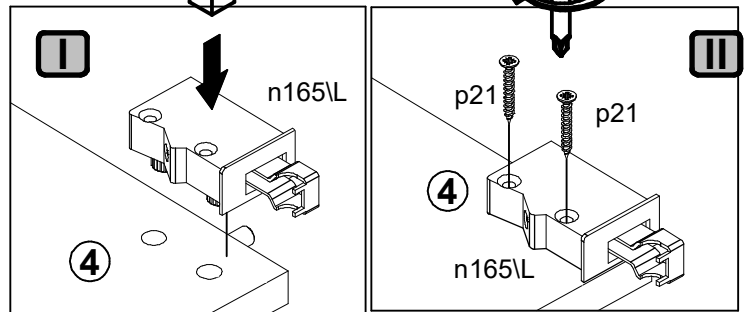
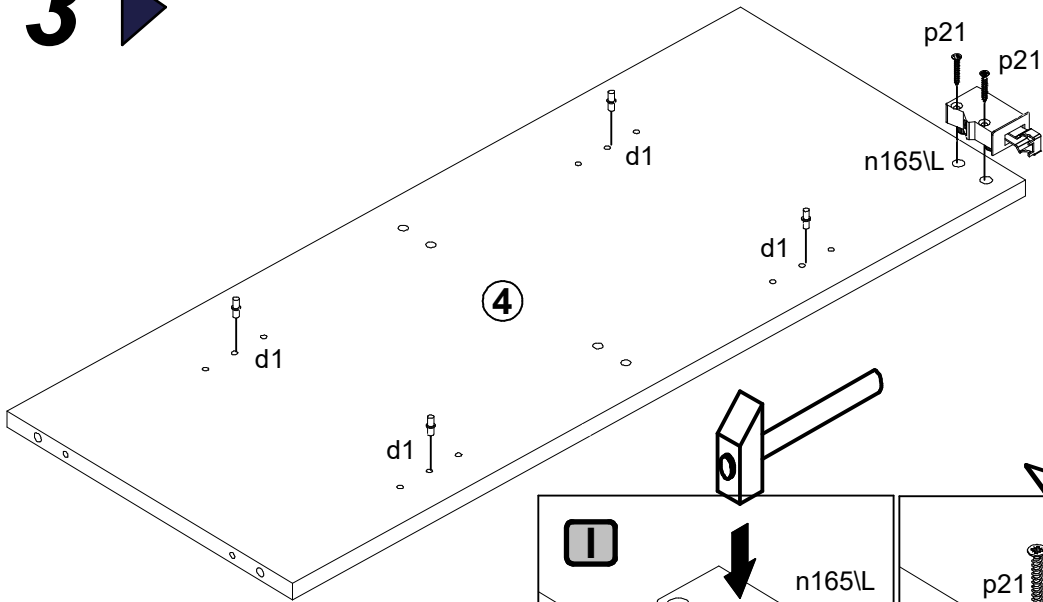
2 ▶

- 2x $\varnothing 8 \times 30$ mm f1
- 2x $\varnothing 15 \times 12$ mm #16 r1
- 4x 20/11 r42
- 2x m79\1
- 6x $\varnothing 3.5 \times 15$ mm p51
- 4x $\varnothing 5 \times 17$ mm d1
- 1x n165\L
- 2x $\varnothing 4 \times 30$ mm p21

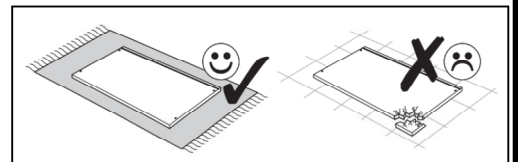


4X Ø8x30 mm f1	2x Ø15x12 mm #16 r1	1x n165L	8X Ø5x17 mm d1
			2x Ø4x30 mm p21

3 ▶

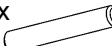



▶ 4




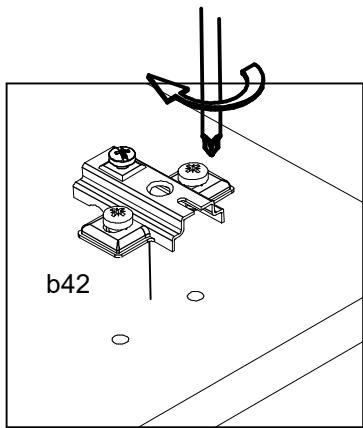
5 ▶

2x  f1
Ø8x30 mm

2x  f6
Ø8x50 mm

1x  b42

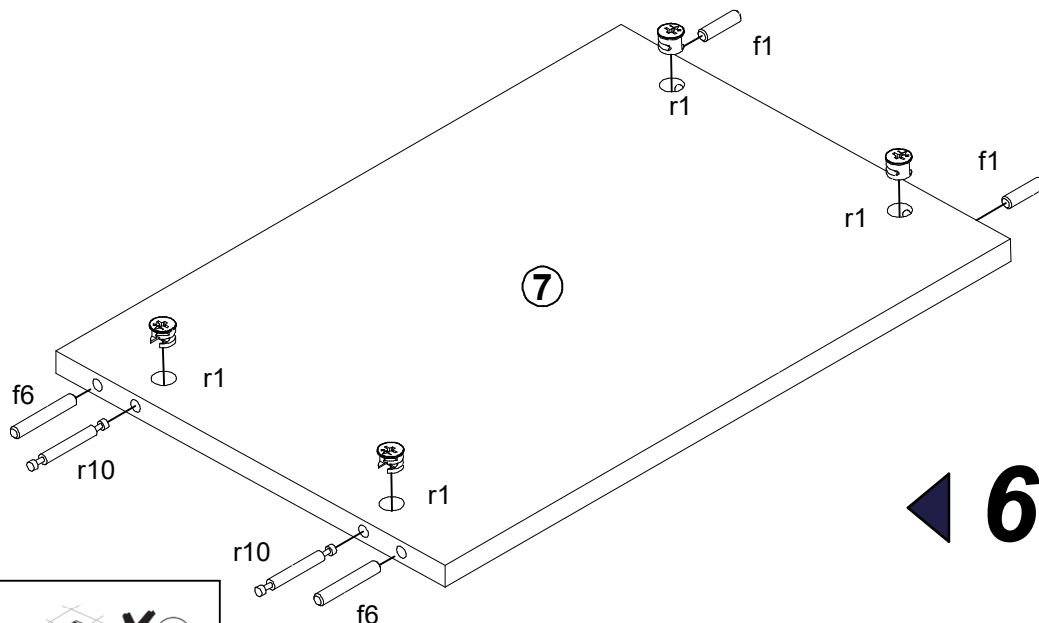
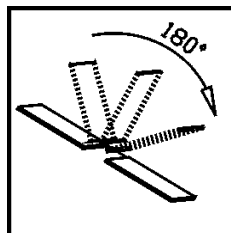
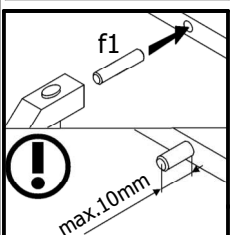
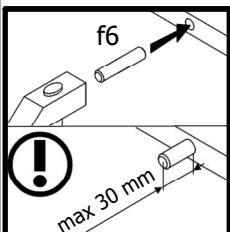
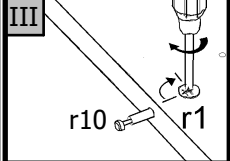
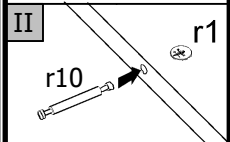
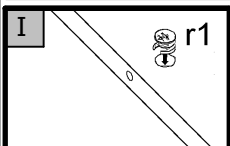
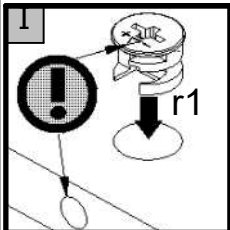
4x  r1
Ø15x12 mm #16



b42

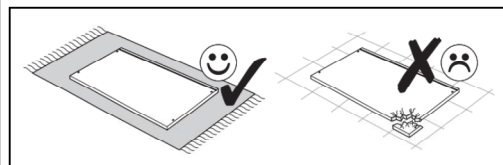
7

b42

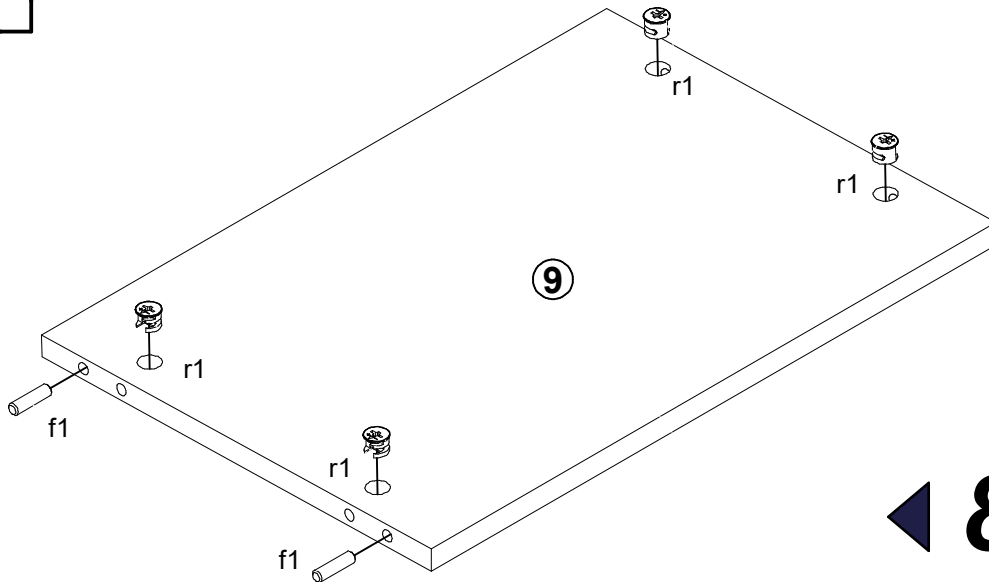
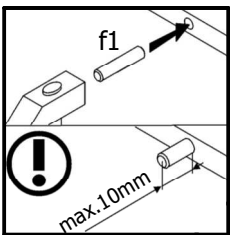
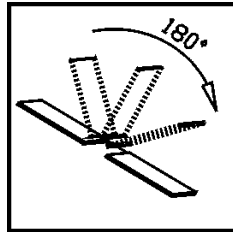
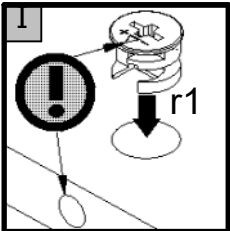
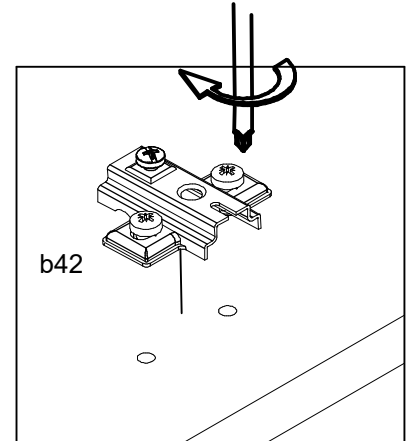
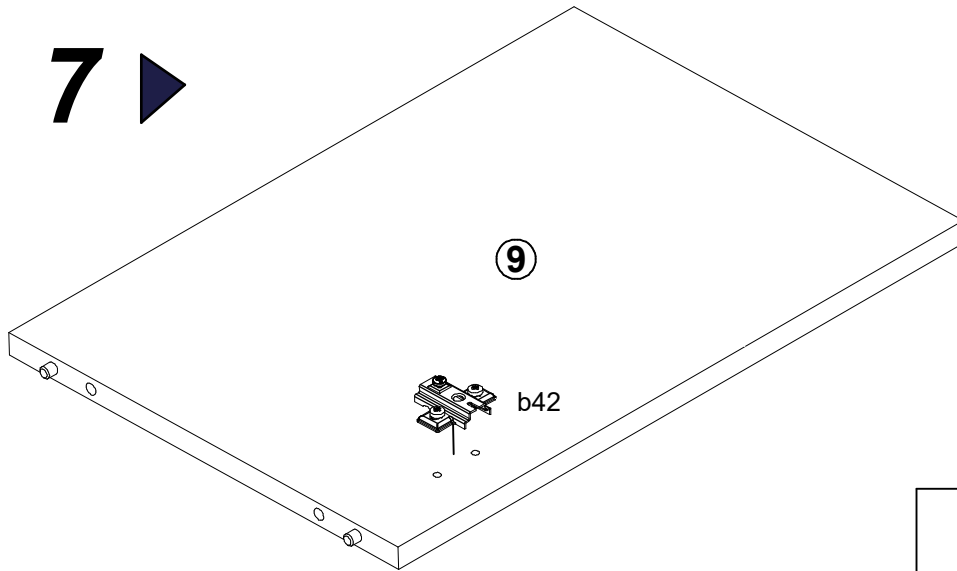
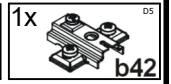
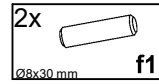


7

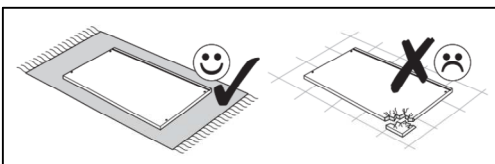
◀ 6



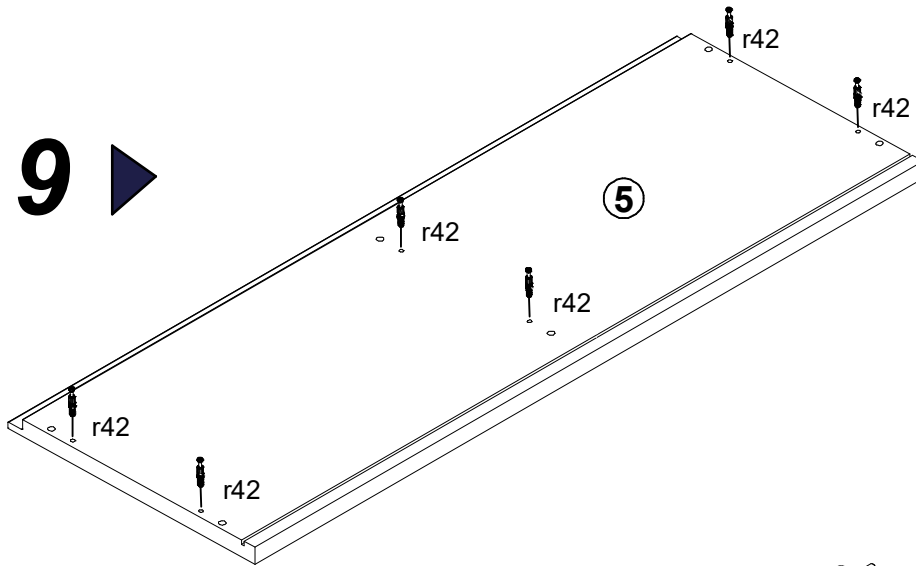
7 ▶







◀ 8

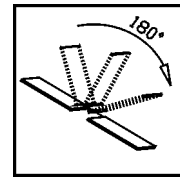
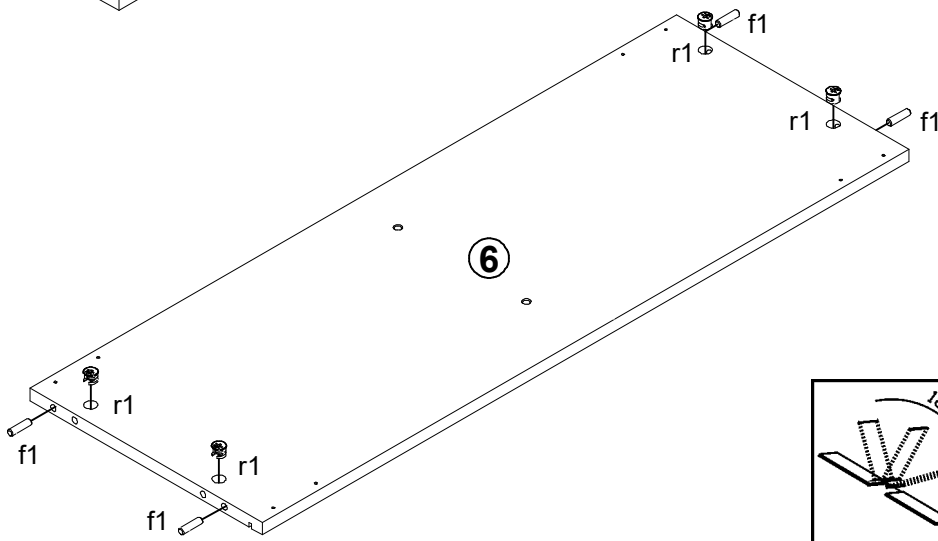


9 ▶

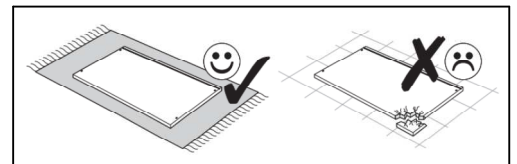
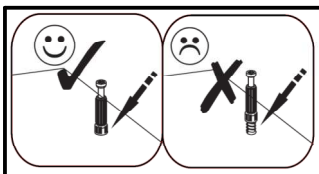
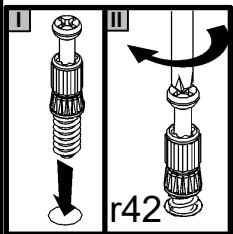
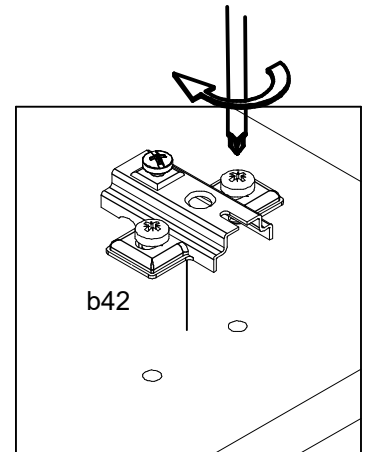
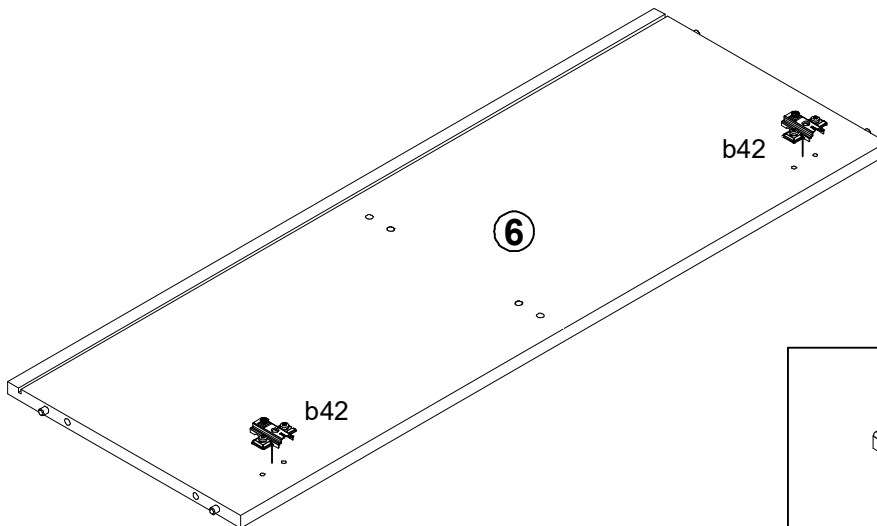


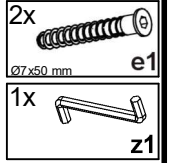
- 6x  r42
- 4x  f1
Ø8x30 mm
- 4x  r1
Ø15x12 mm #16
- 2x  b42

10 ▶

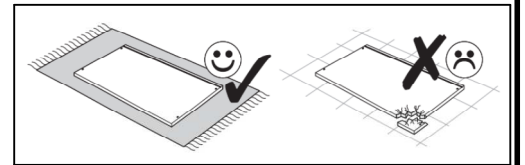
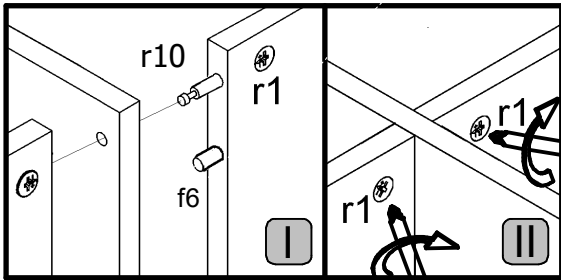
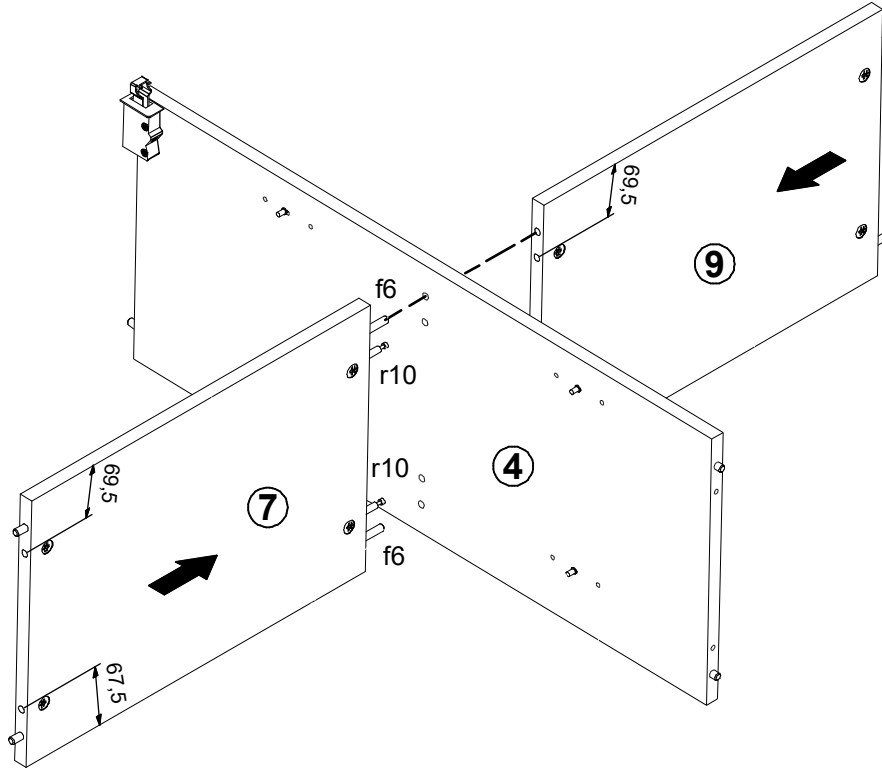


11 ▶

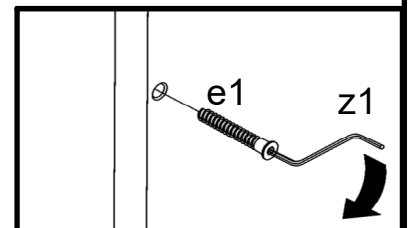
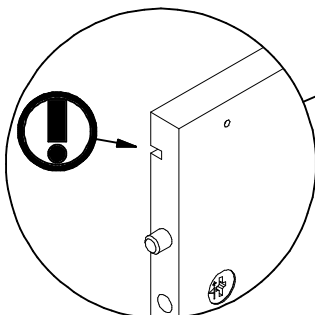
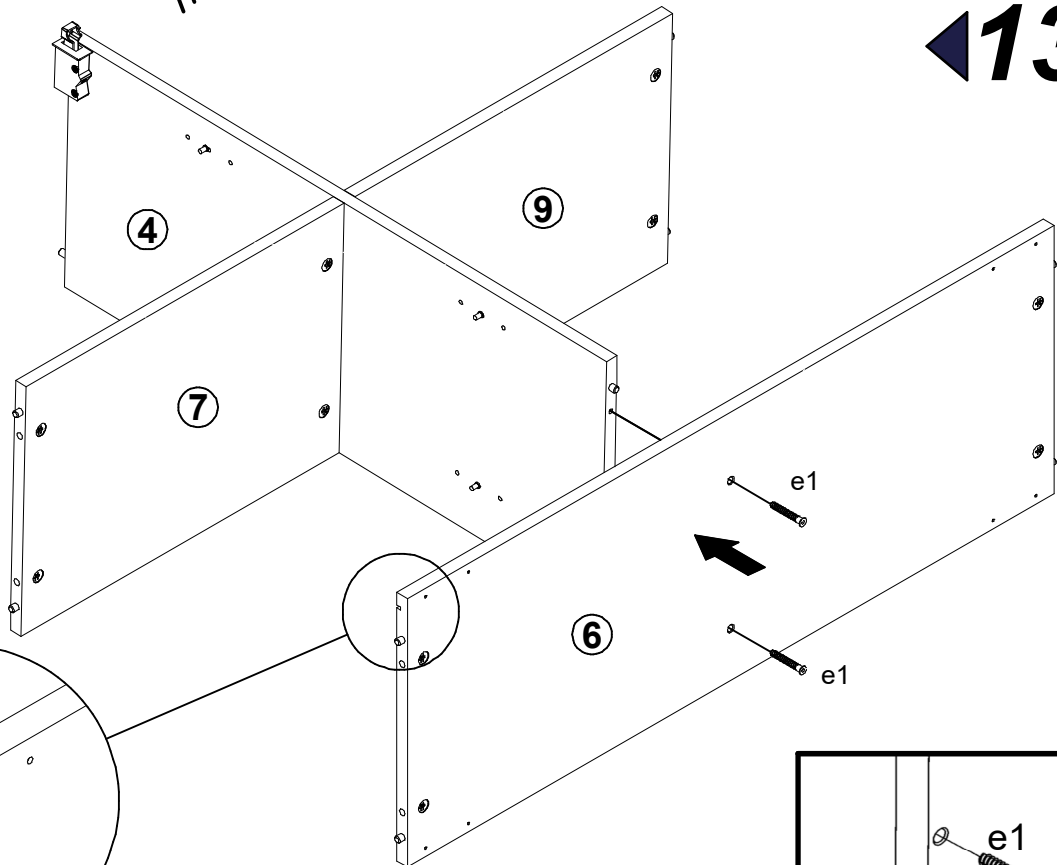




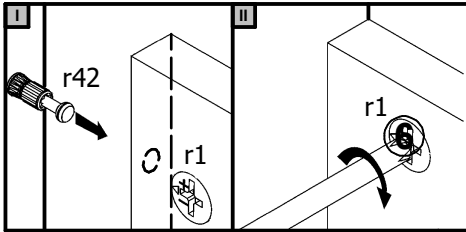
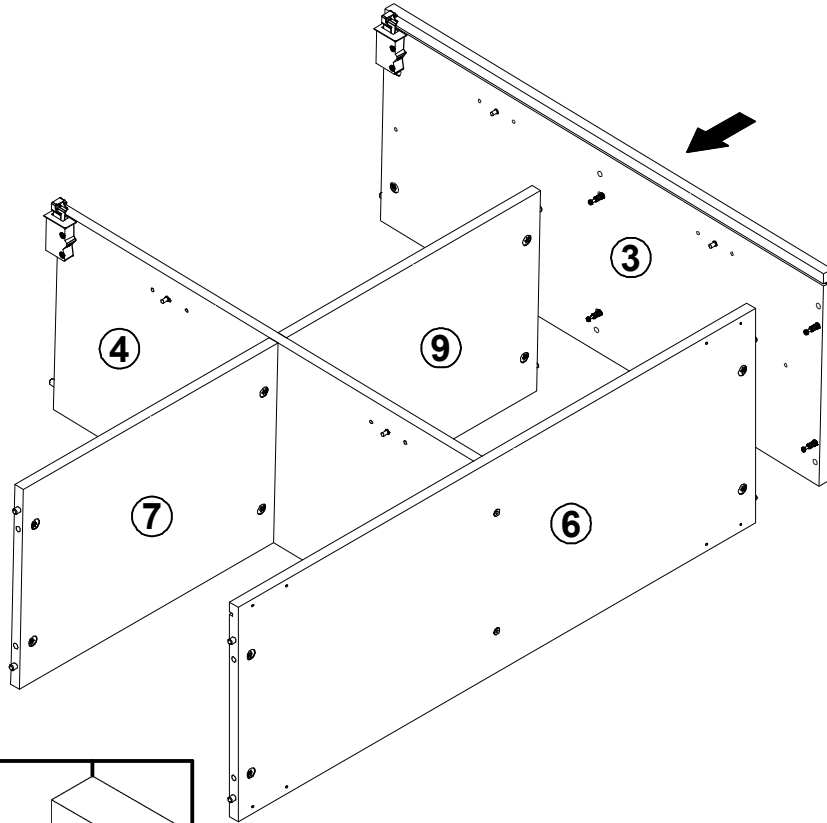
12 ▶



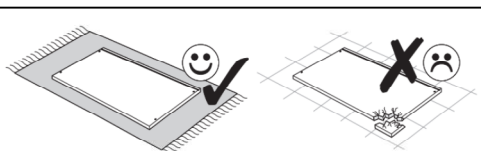
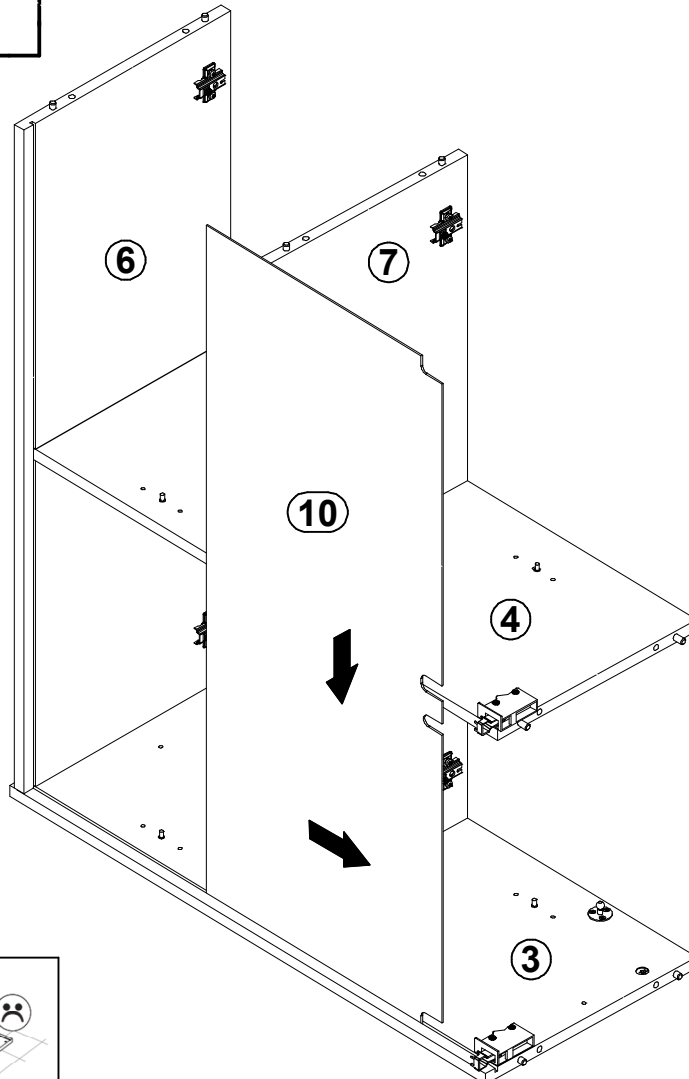
▶ 13



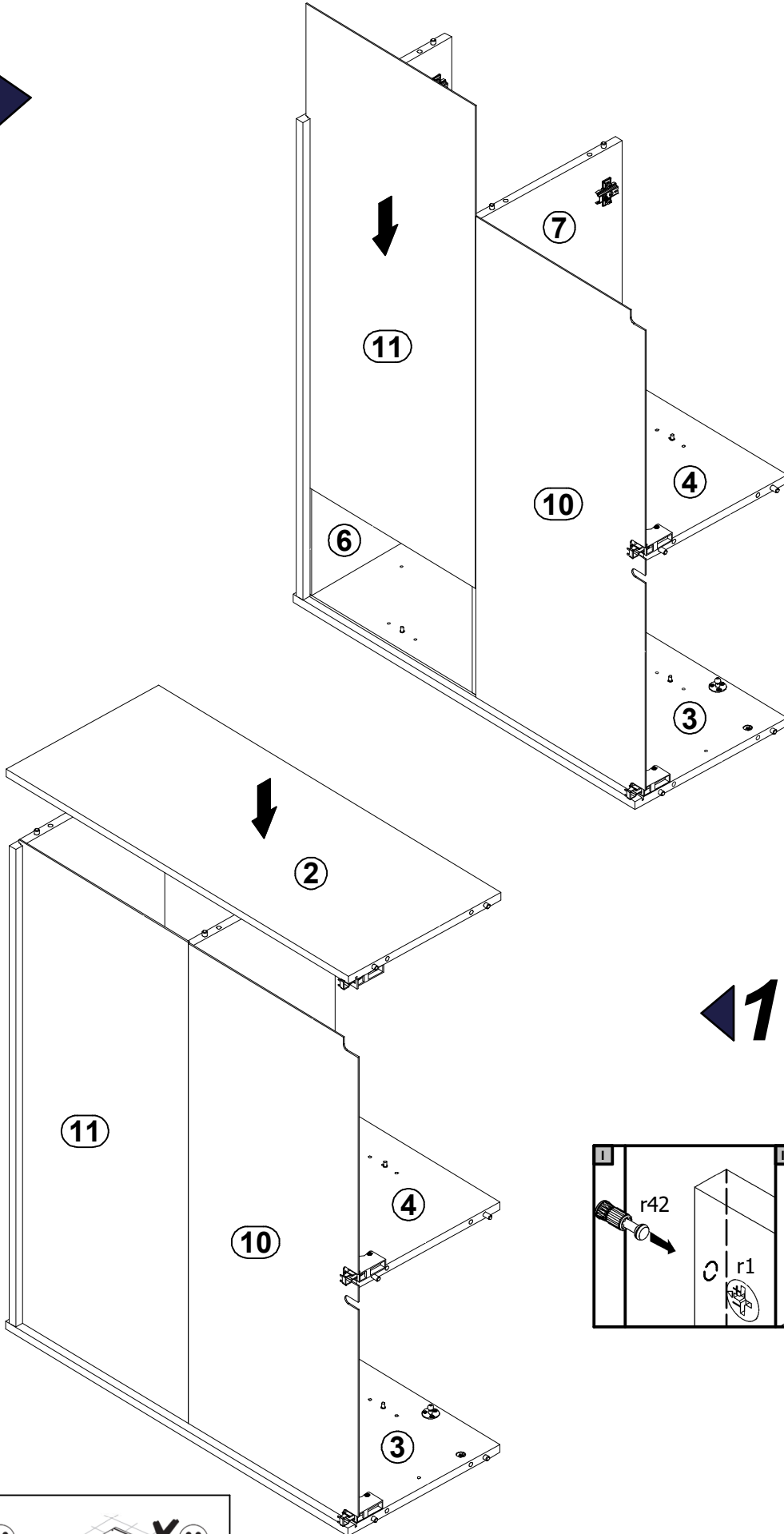
14



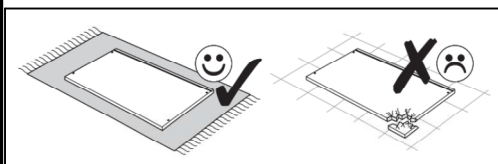
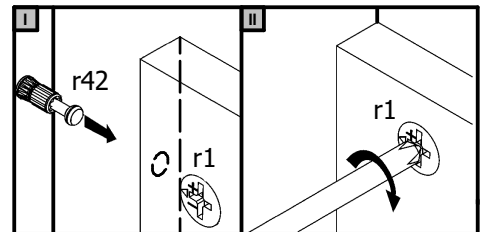
15



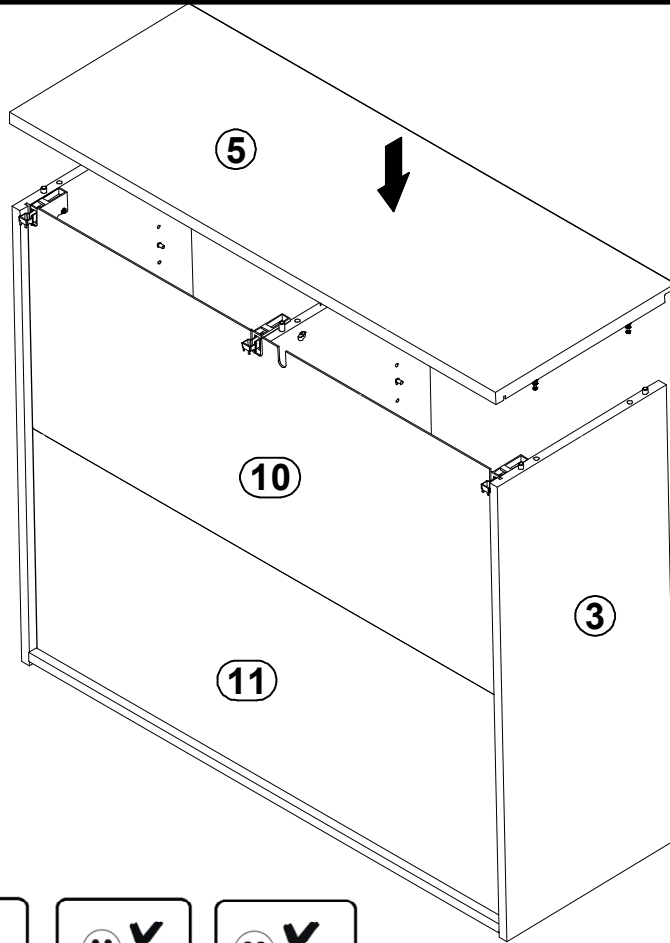
16 ▶



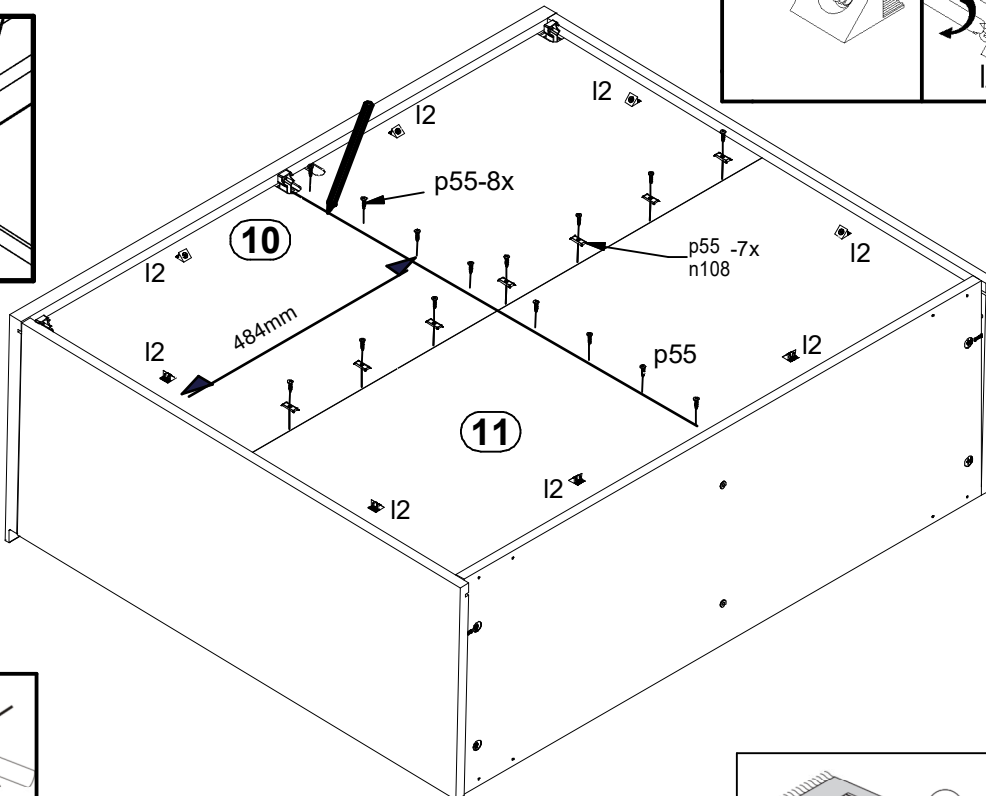
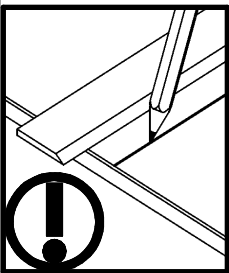
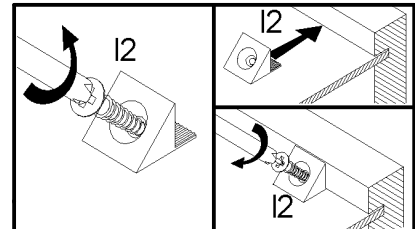
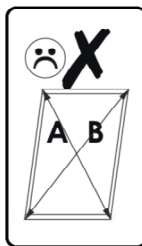
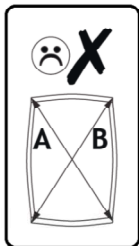
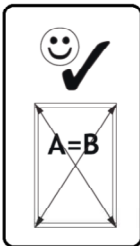
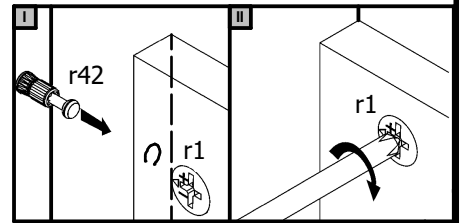
◀ 17



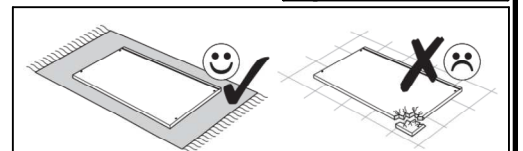
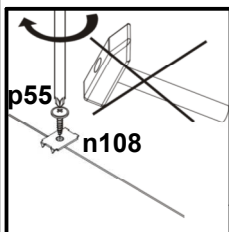
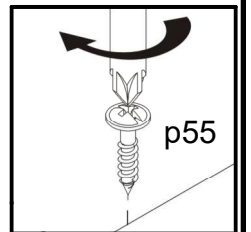
18 ▶

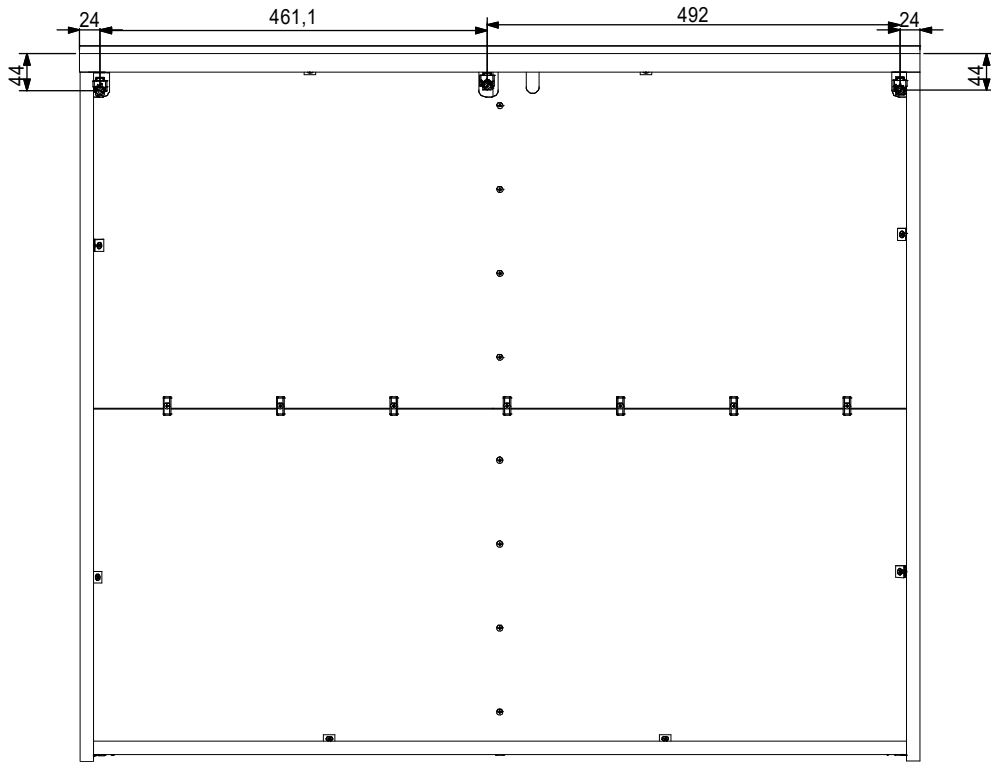


- 8x I2
- 7x n108
20x13x3.5,1
- 15x p55
Ø2.9x16 mm

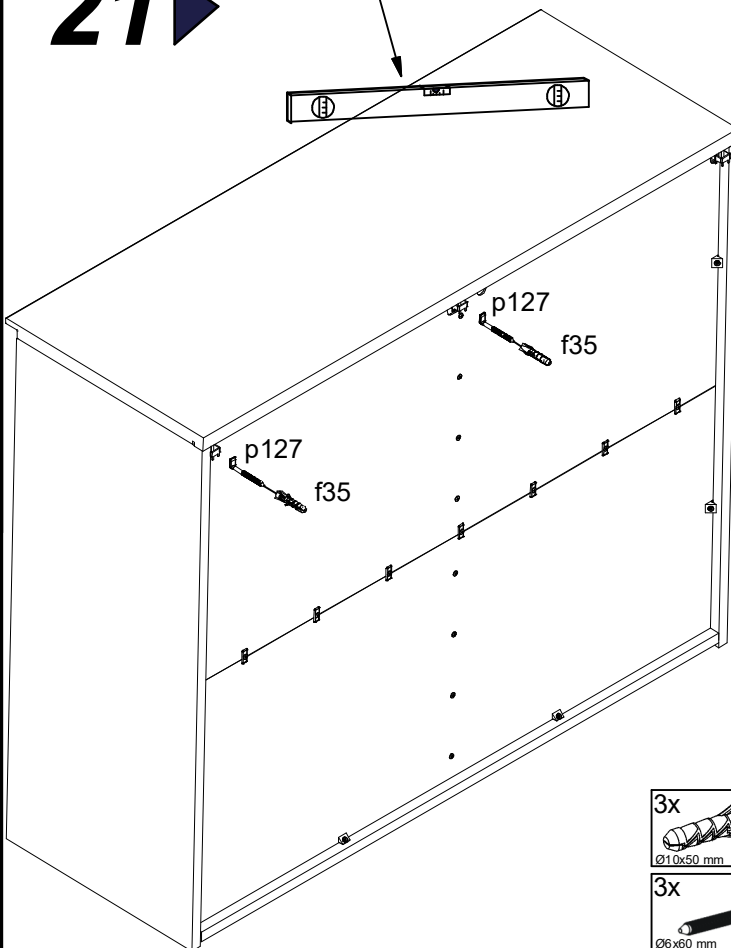
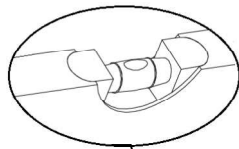


◀ 19





21 ▶



	$\phi 10$ mm 	f35 	f35 	f35
--	------------------	---------	---------	---------

		p127
--	--	----------

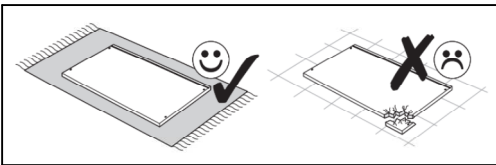
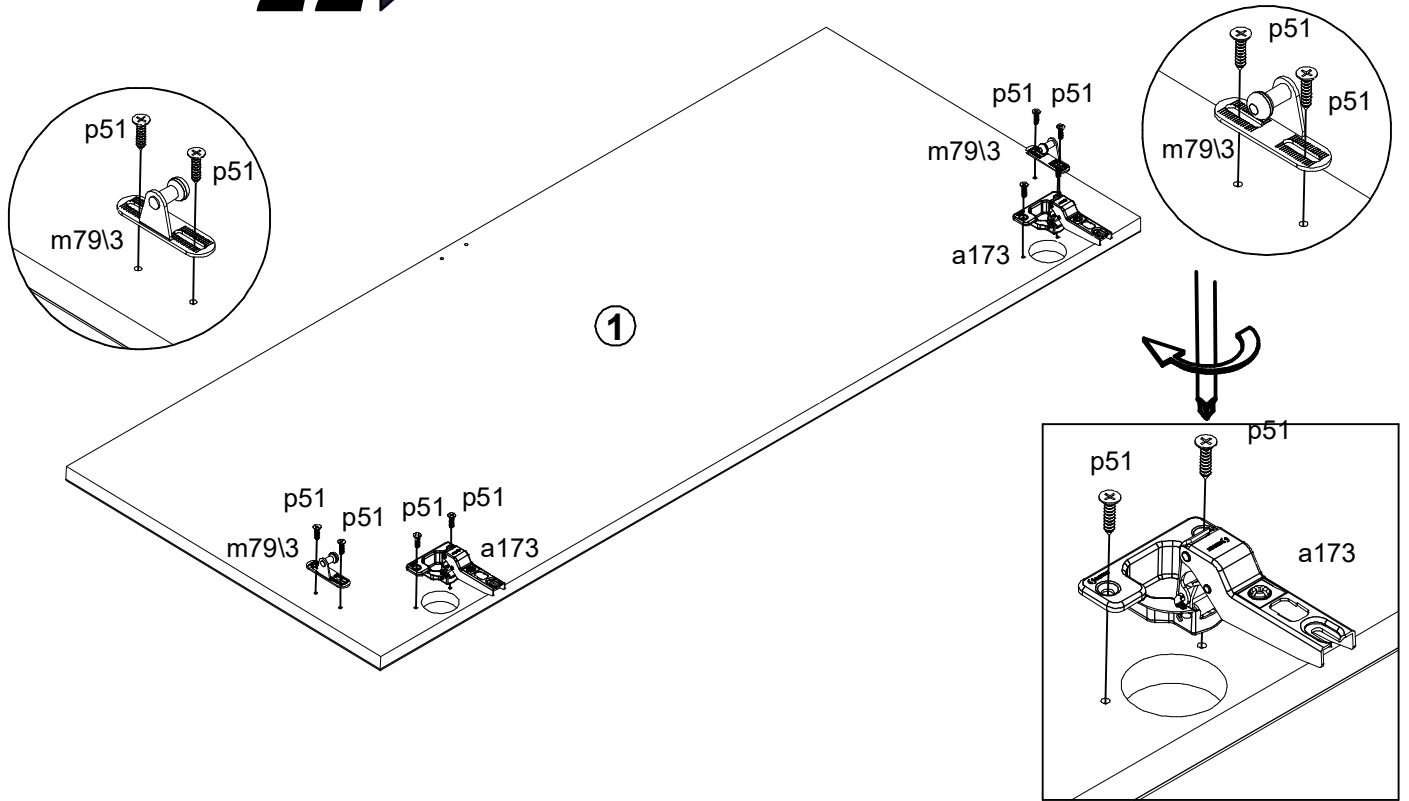
p127 	p127 	p127
----------	----------	----------

3x $\phi 10 \times 50$ mm f35
3x $\phi 6 \times 60$ mm p127

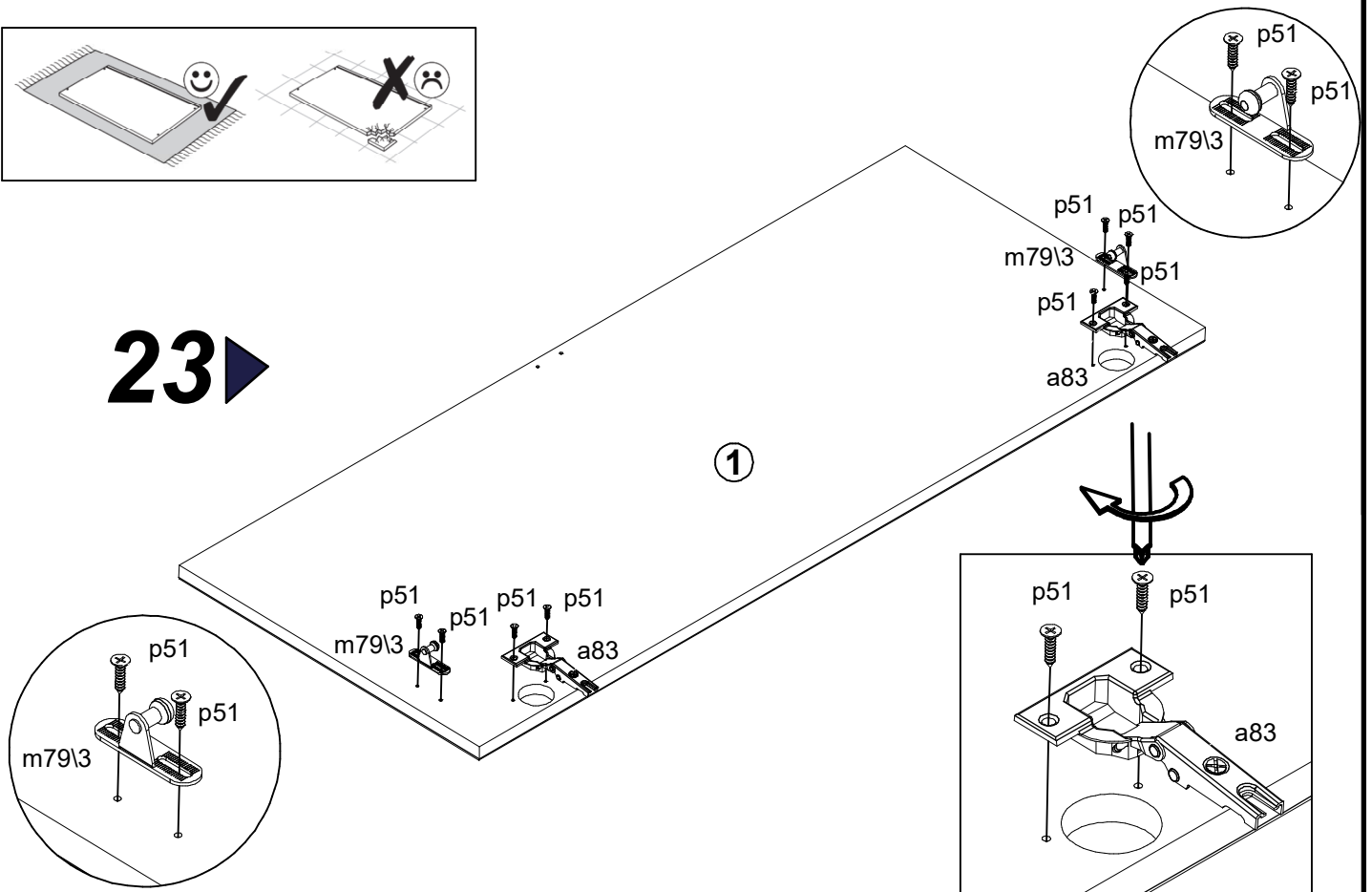
		n165
--	--	----------

16x Ø3,5x15 mm p51	4x m79\3	2x K9 Ø35 a173	2x K9 Ø35 a83
--------------------------	-------------	----------------------	---------------------

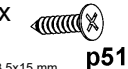
22 ▶

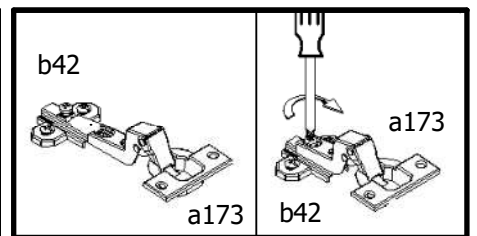
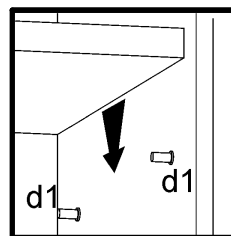
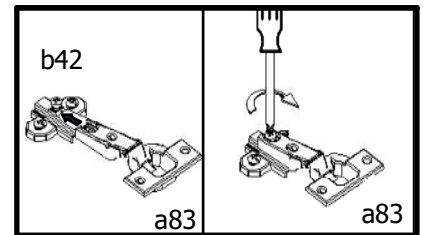
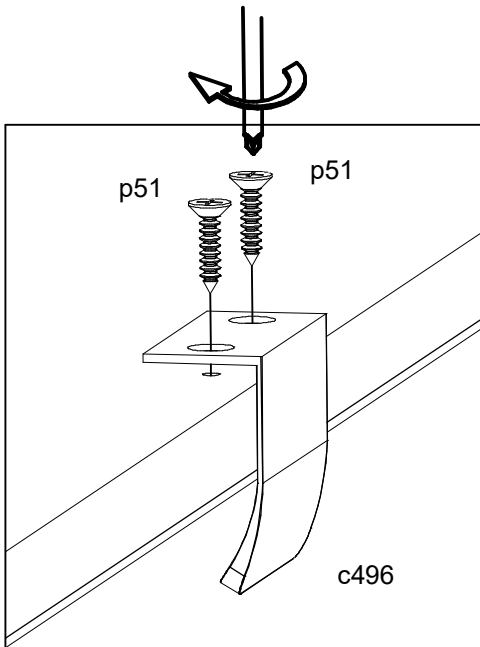
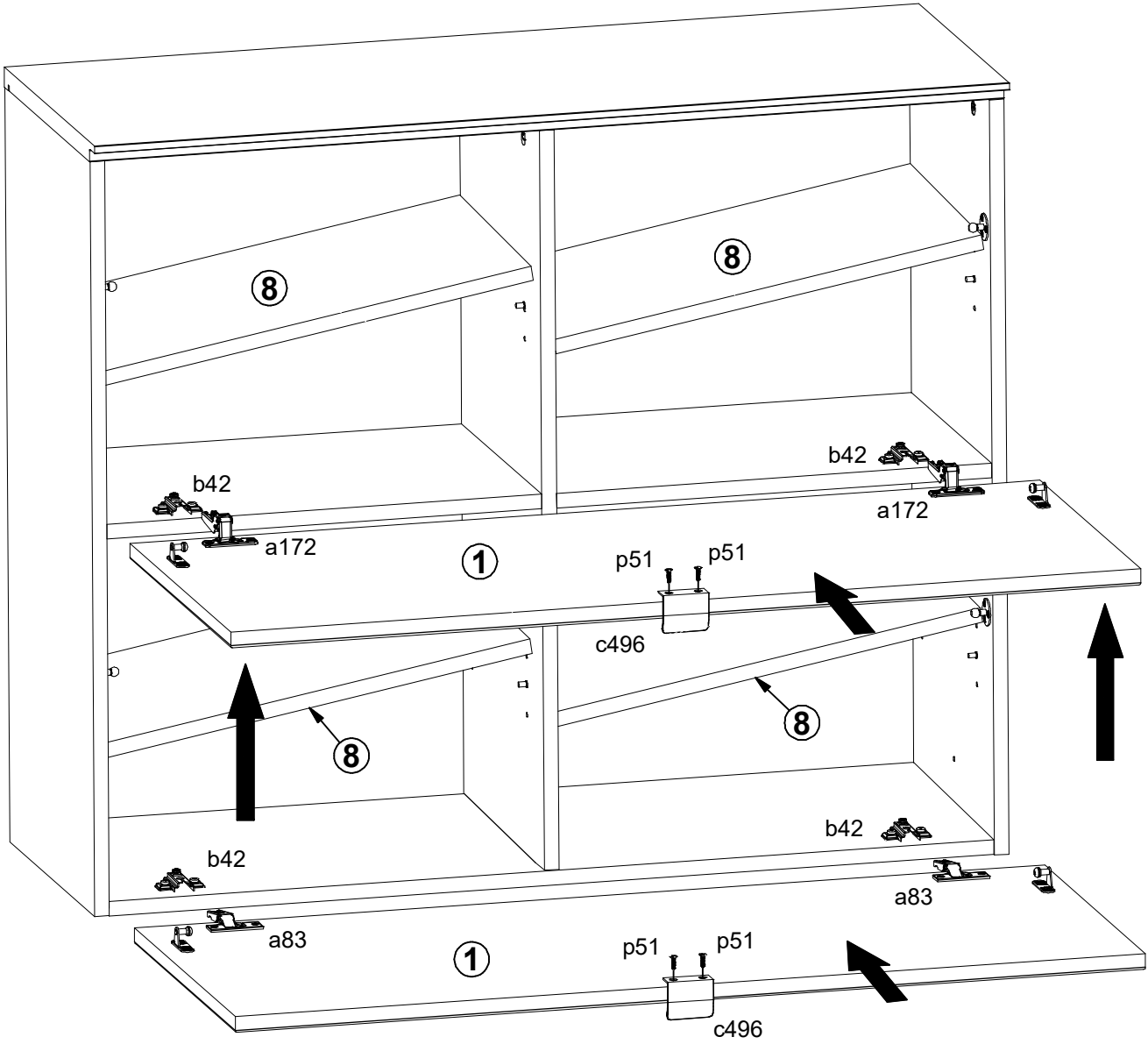


23 ▶

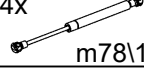
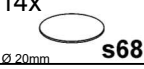


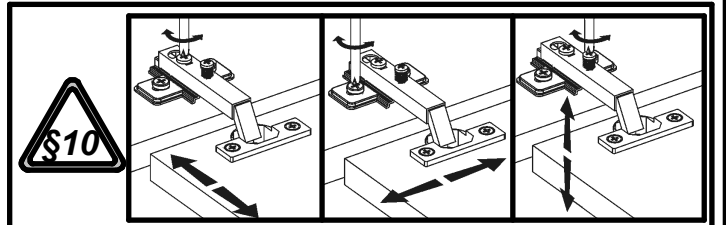
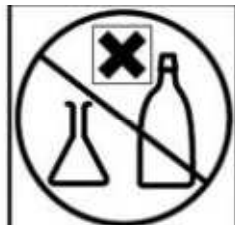
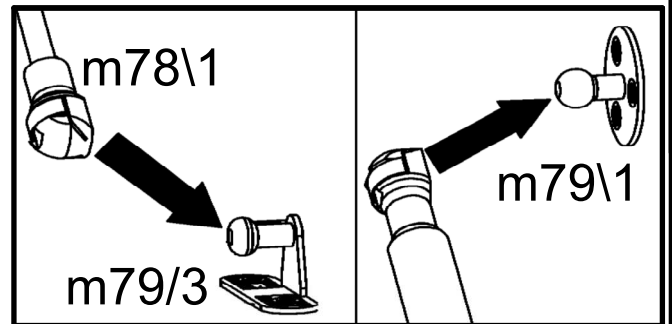
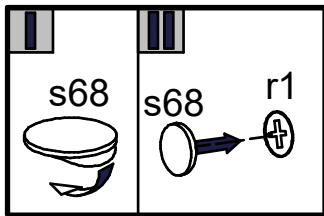
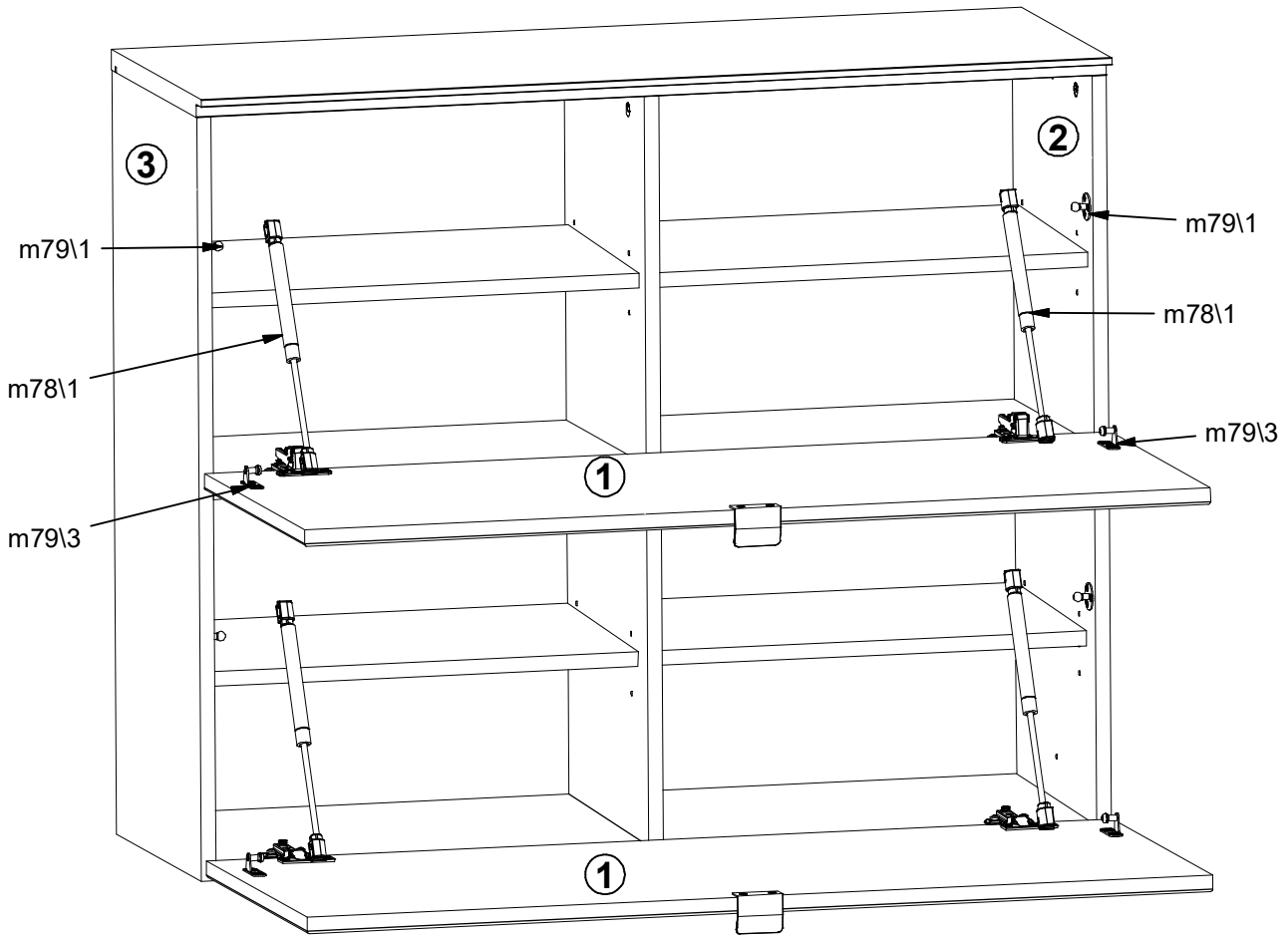
24

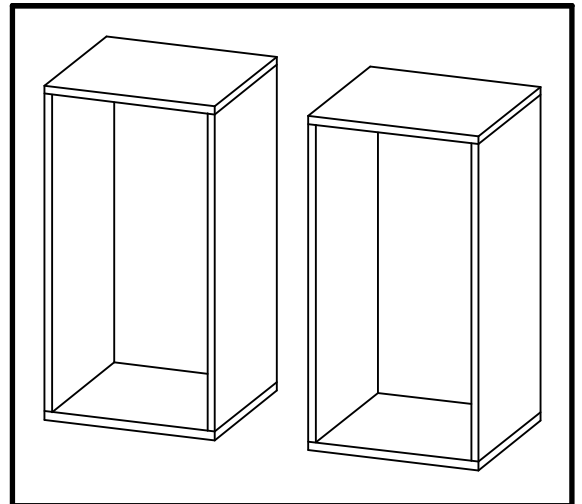
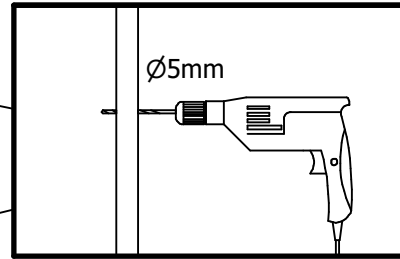
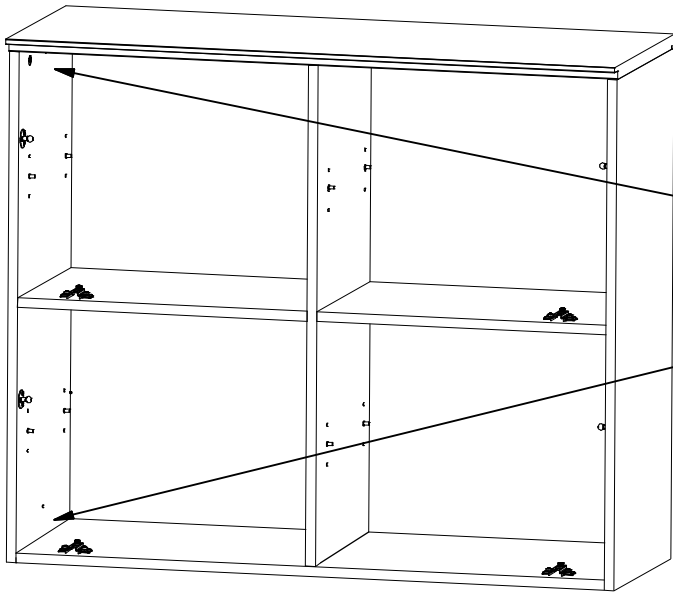
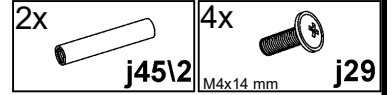
- 2x  c496
- 4x  p51
Ø3.5x15 mm



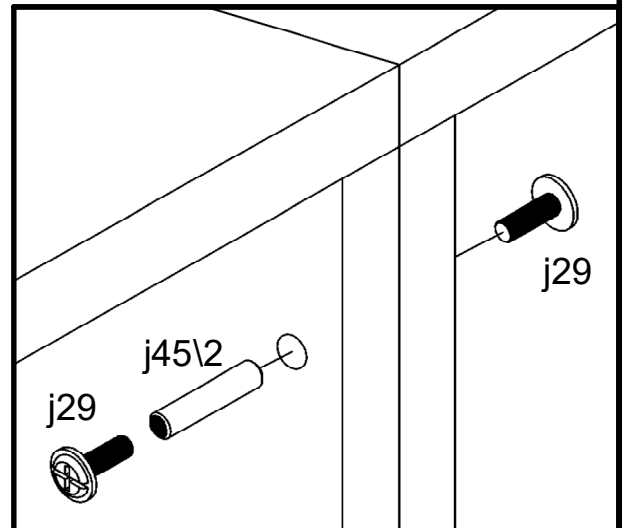
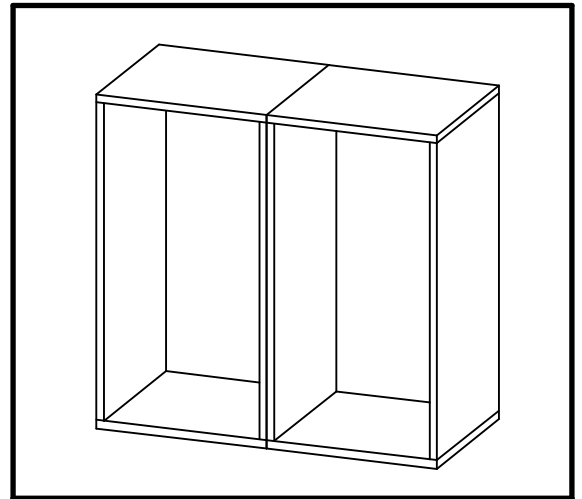
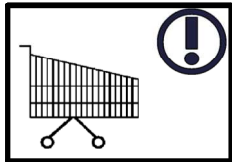
25

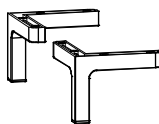
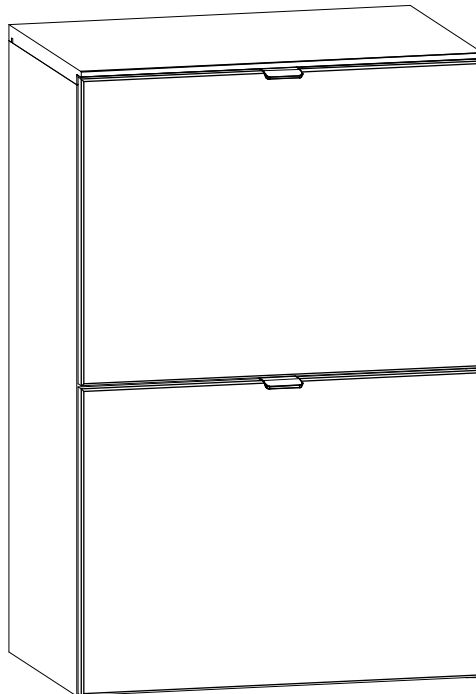
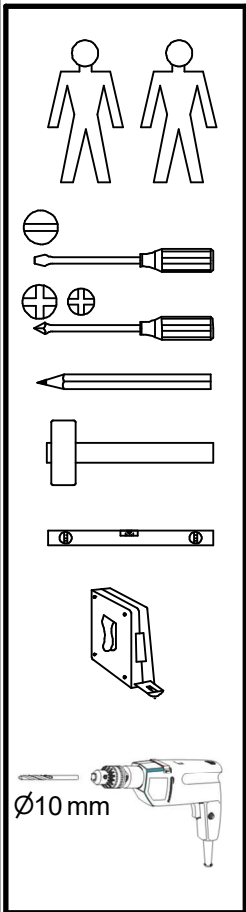
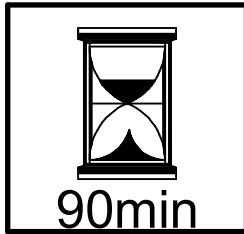
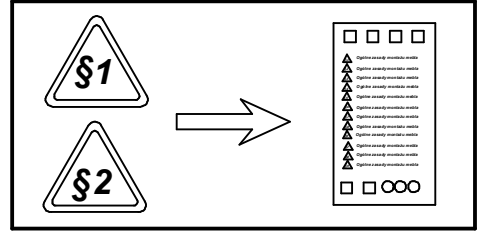
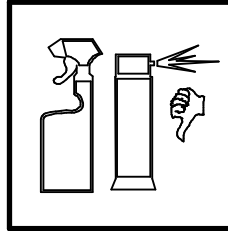
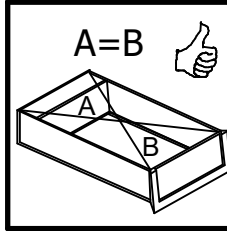
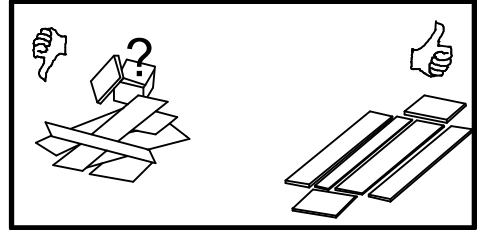
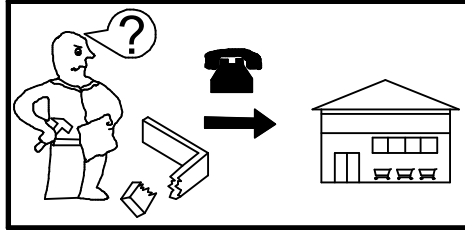
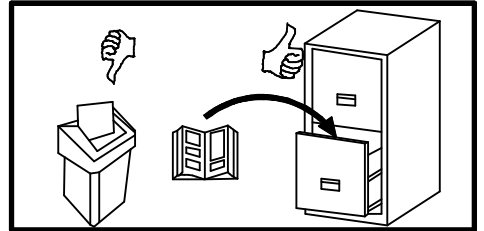
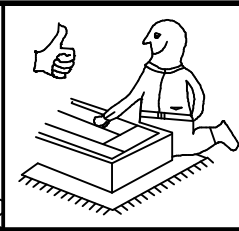
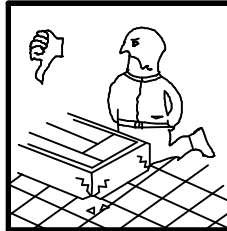
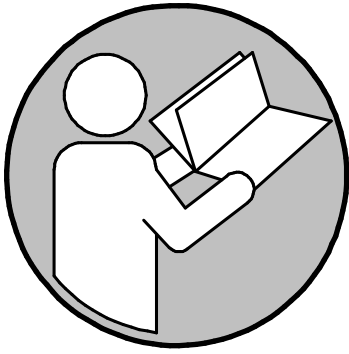
- 4x  m78\1
- 14x  s68
Ø 20mm



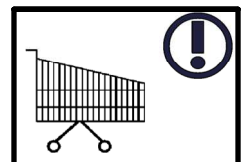
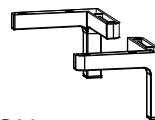


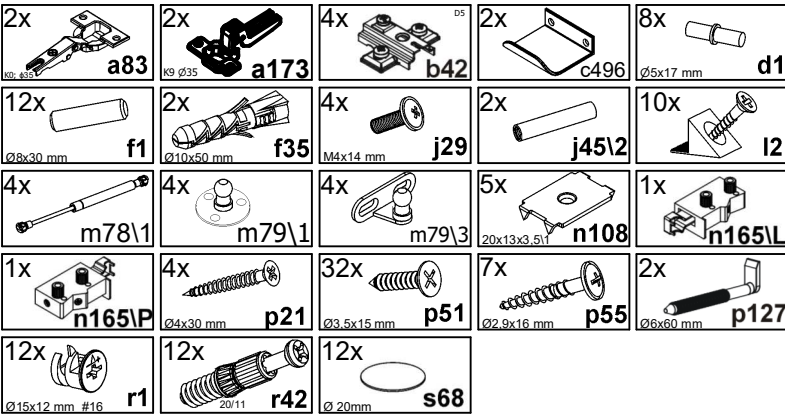
OPTION



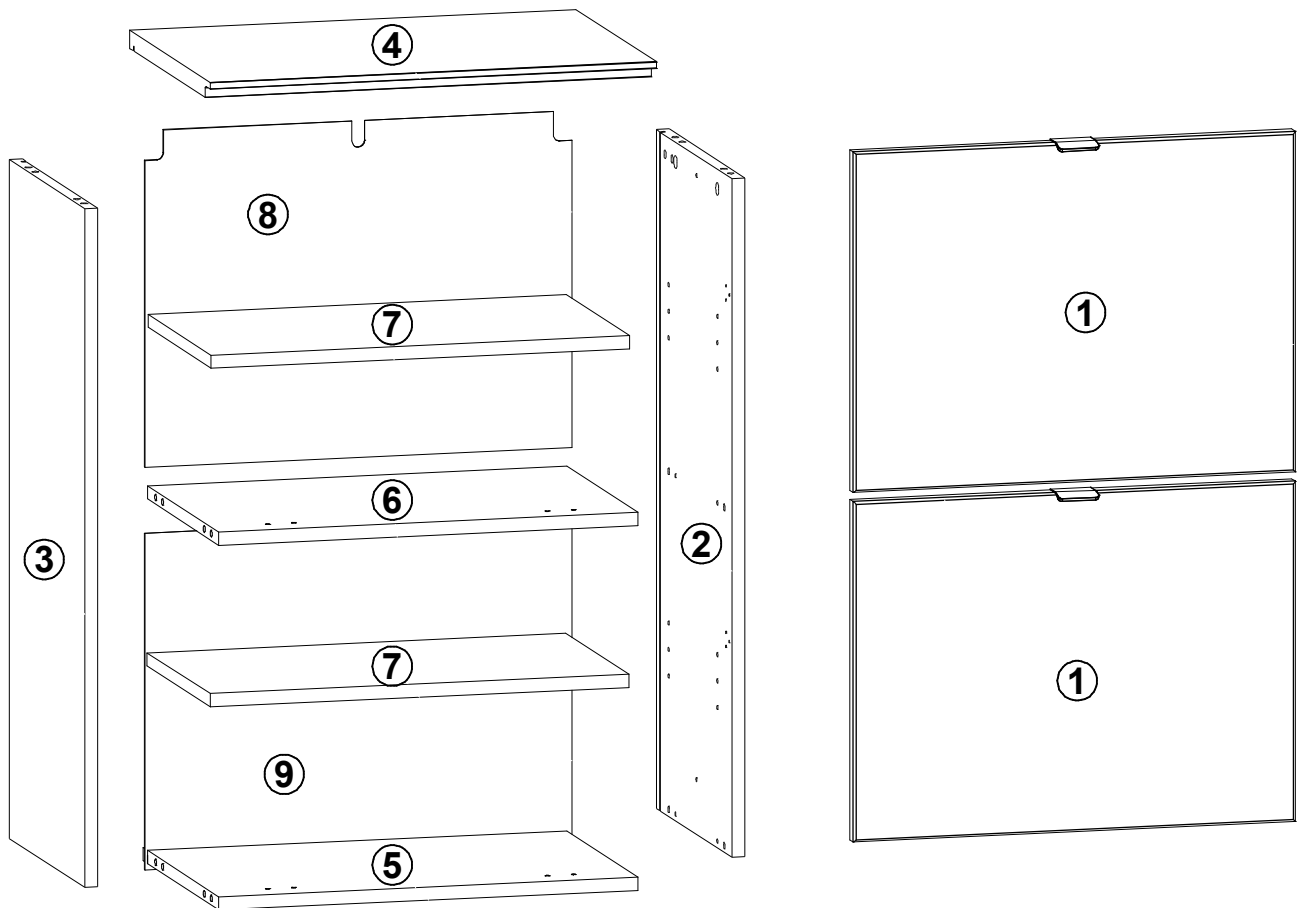


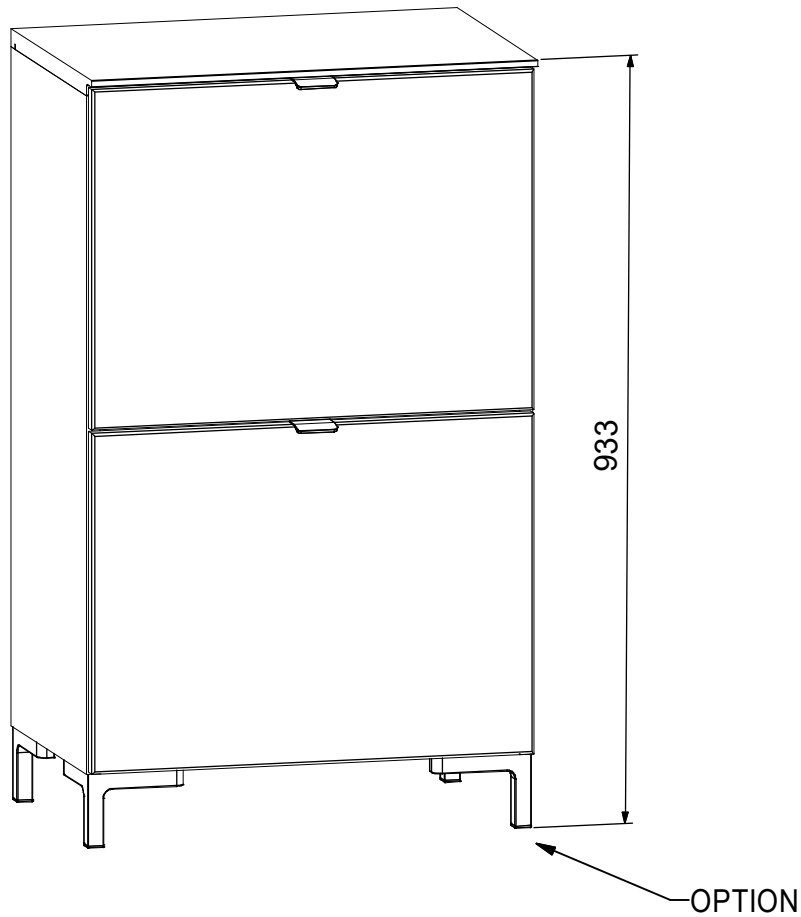
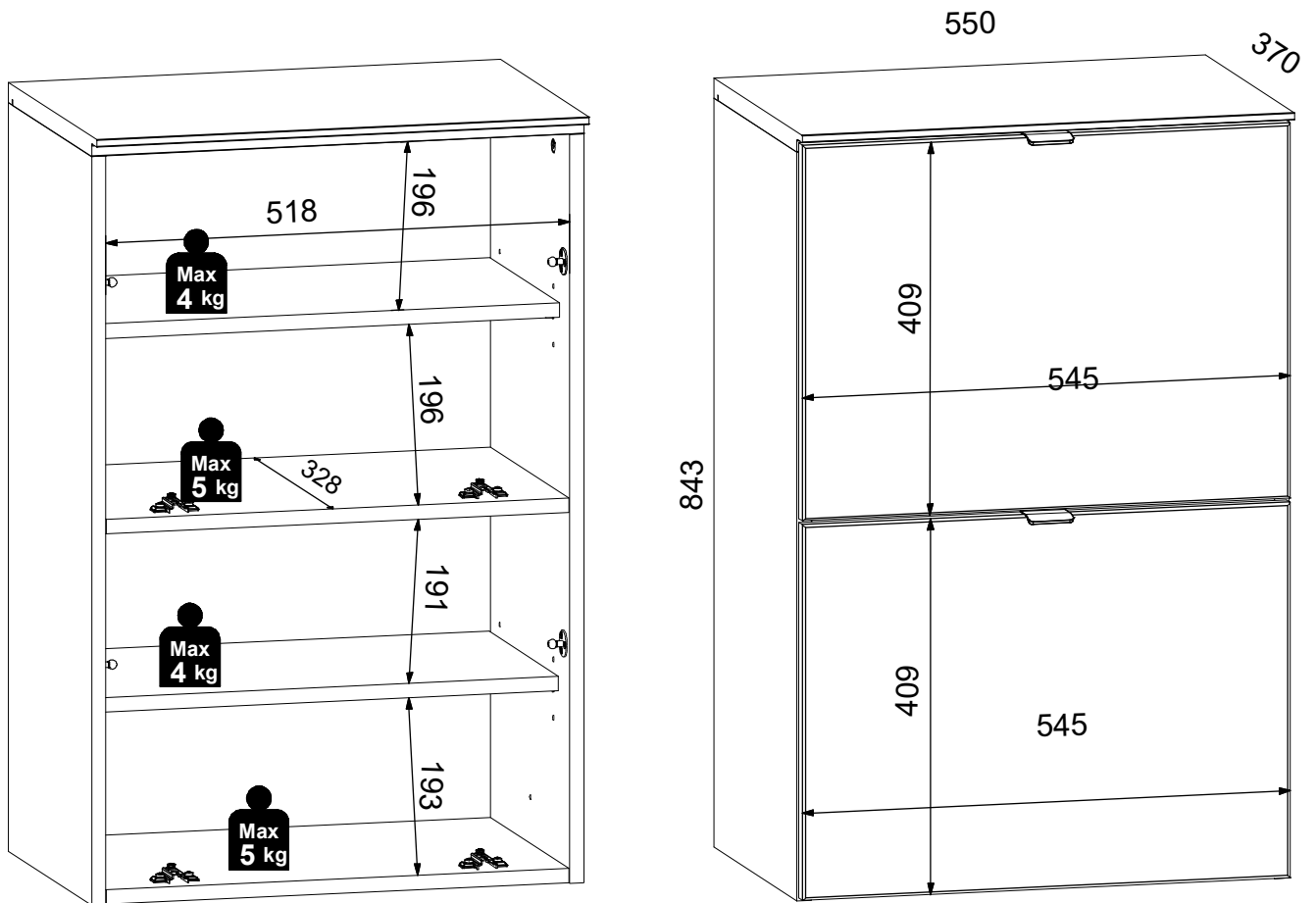
OPTION
99 03 01 95





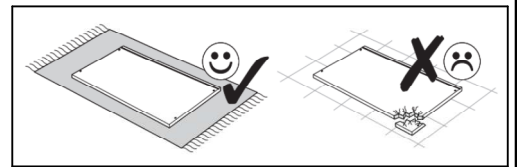
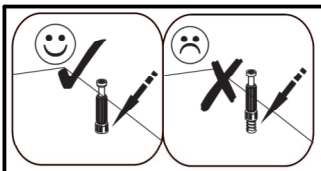
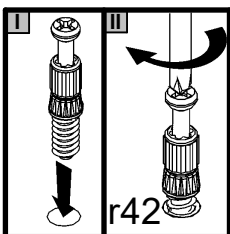
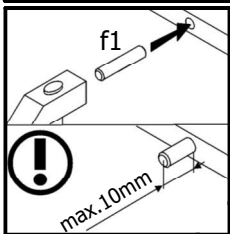
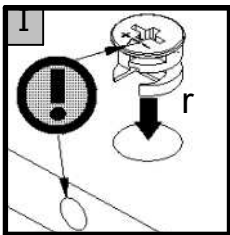
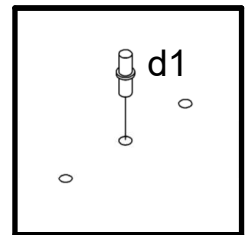
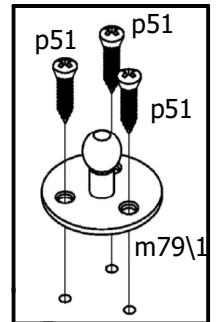
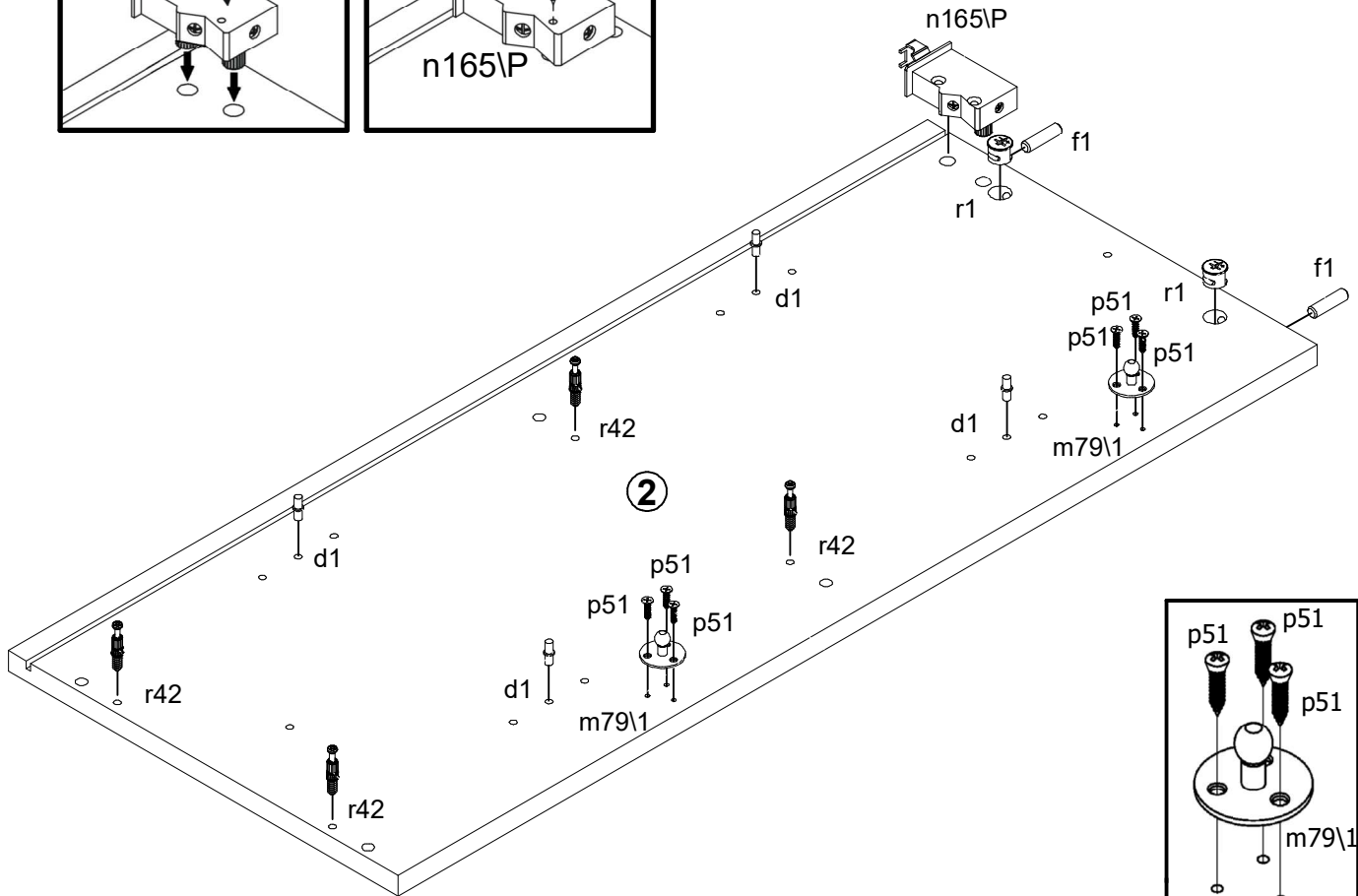
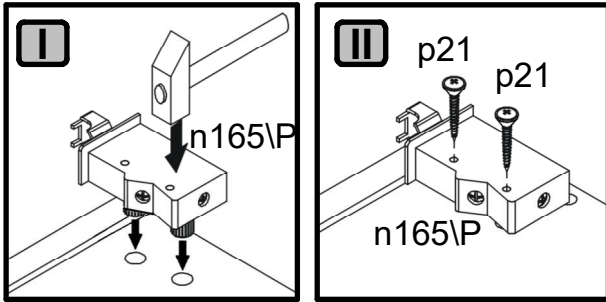
A	B1	B2	C1	C2	C3	C4	D
1	M278-0003	-	545	412	18	2	1/1
2	M278-1001	-	821	348	16	1	1/1
3	M278-1002	-	821	348	16	1	1/1
4	M278-2002	-	550	370	22	1	1/1
5	M278-3004	-	517	348	16	1	1/1
6	M278-3005	-	517	328	16	1	1/1
7	M278-3006	-	516	290	16	2	1/1
8	M278-9005	-	527	407	2,5	1	1/1
9	M278-9006	-	527	407	2,5	1	1/1





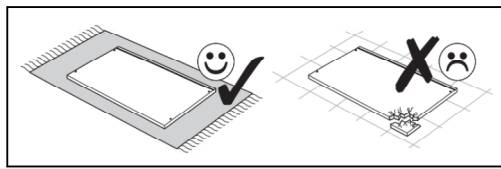
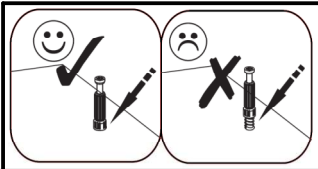
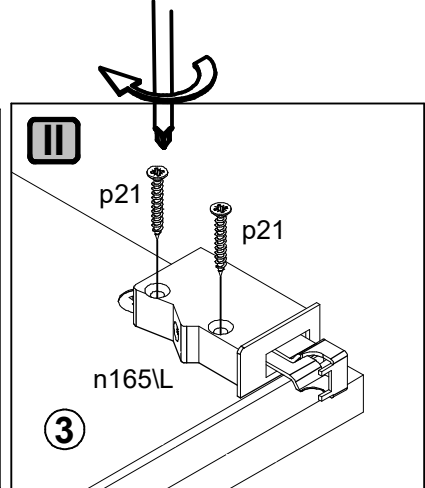
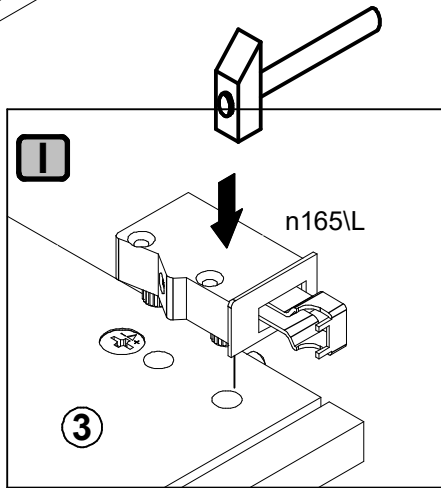
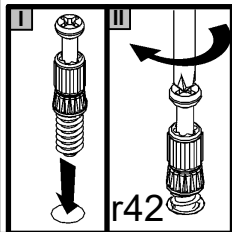
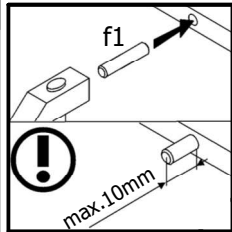
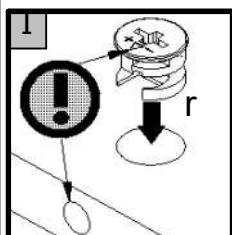
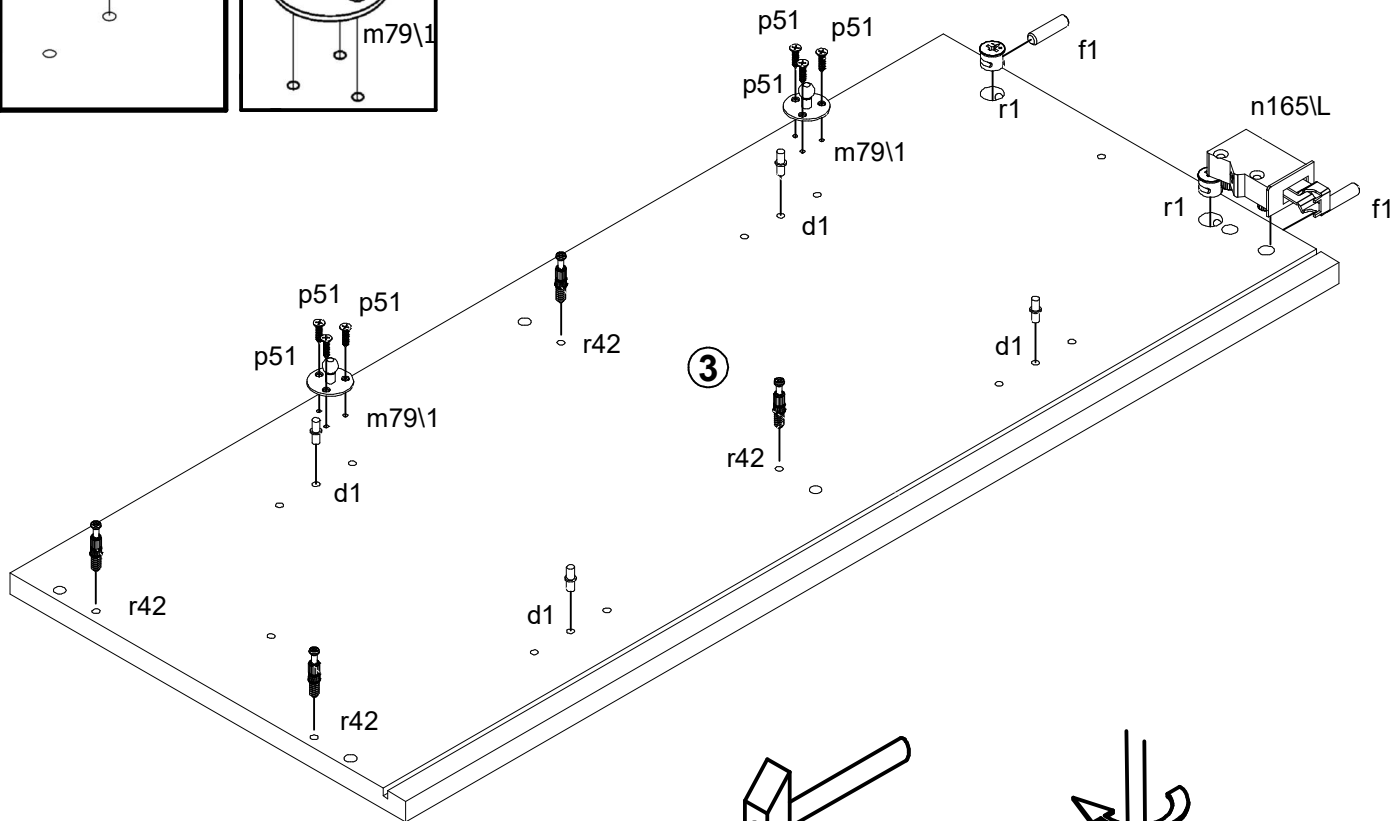
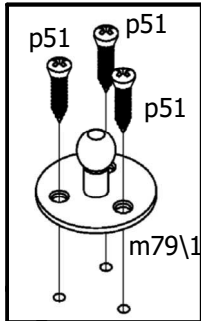
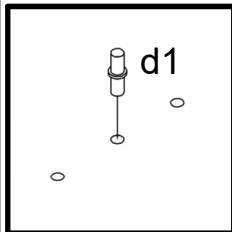
1 ▶

- 2x $\varnothing 8 \times 30$ mm f1
- 2x $\varnothing 15 \times 12$ mm #16 r1
- 4x 20/11 r42
- 2x m79\1
- 6x $\varnothing 3.5 \times 15$ mm p51
- 4x $\varnothing 5 \times 17$ mm d1
- 1x n165\P
- 2x $\varnothing 4 \times 30$ mm p21

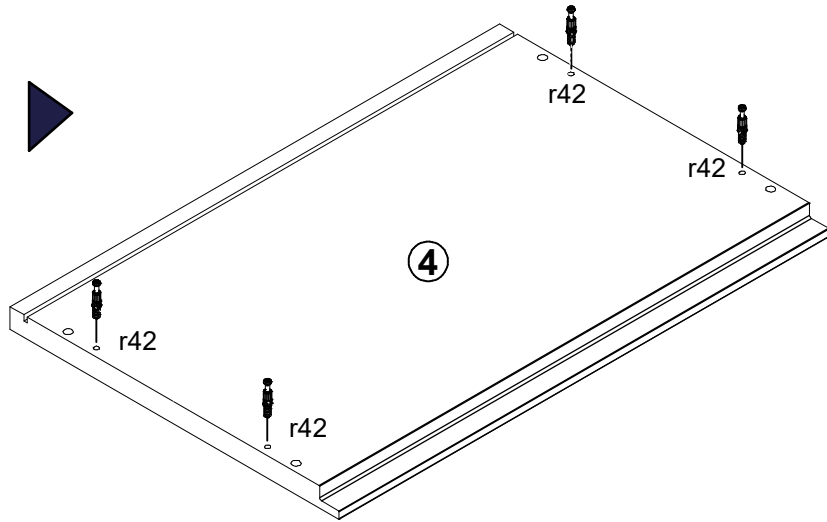




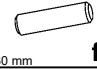

2 ▶

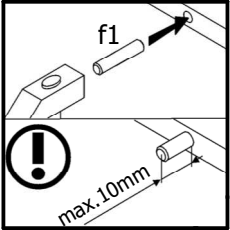
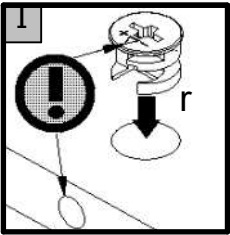
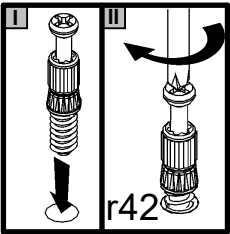
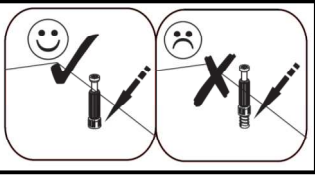
- 2x $\varnothing 8 \times 30$ mm f1
- 2x $\varnothing 15 \times 12$ mm #16 r1
- 4x 20/11 r42
- 2x m79\1
- 6x $\varnothing 3.5 \times 15$ mm p51
- 4x $\varnothing 5 \times 17$ mm d1
- 1x n165\L
- 2x $\varnothing 4 \times 30$ mm p21



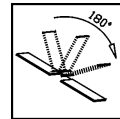
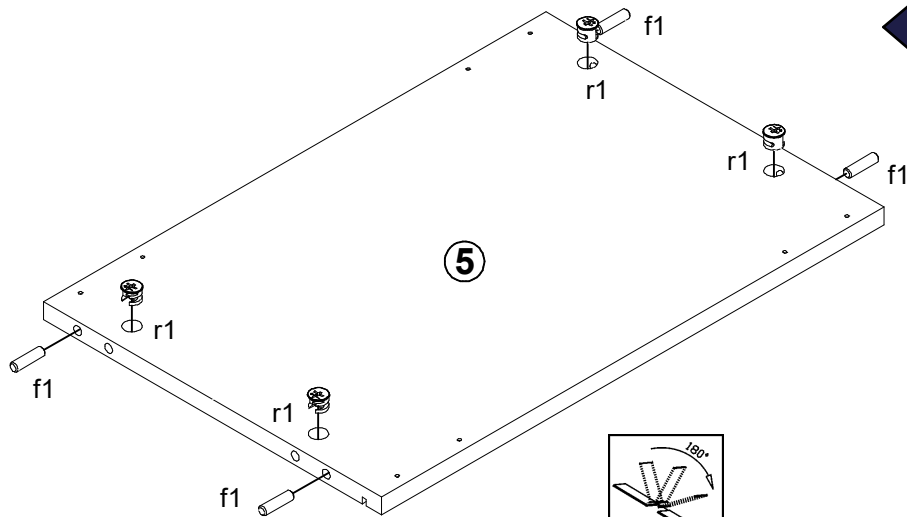
3 ▶



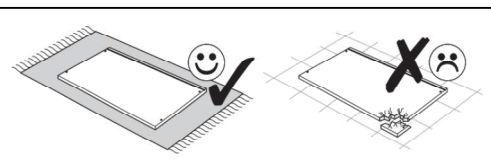
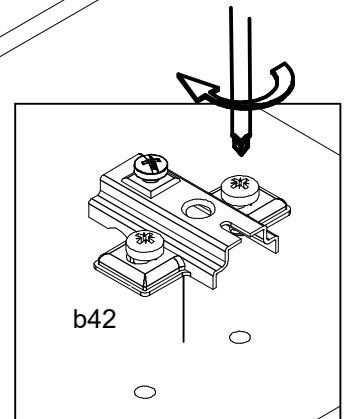
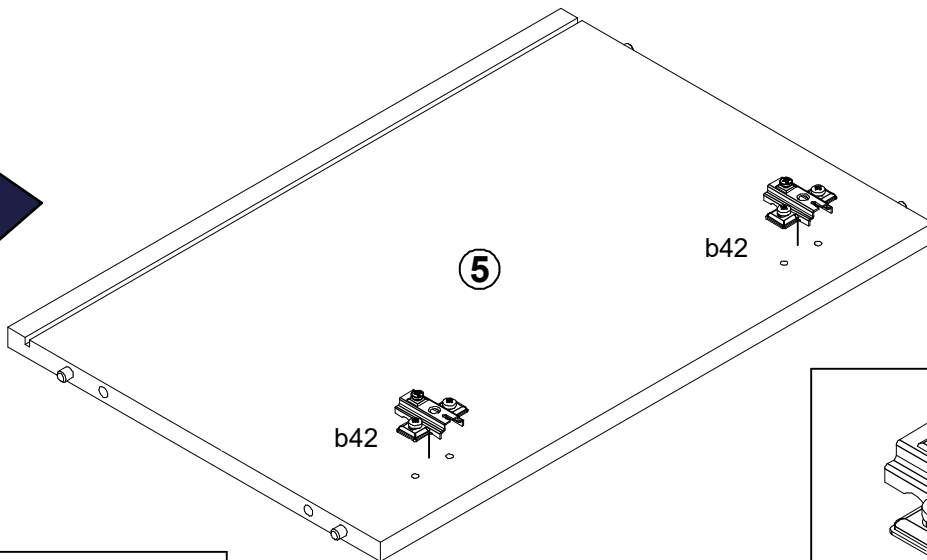
- 2x  **b42**
- 4x  **r1**
Ø15x12 mm #16
- 4x  **f1**
Ø8x30 mm
- 4x  **r42**
20/11



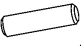


◀ 4

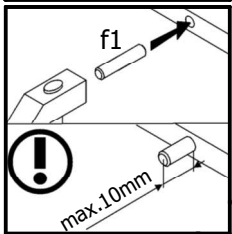
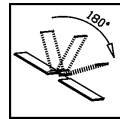
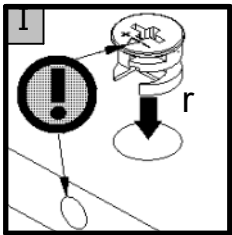
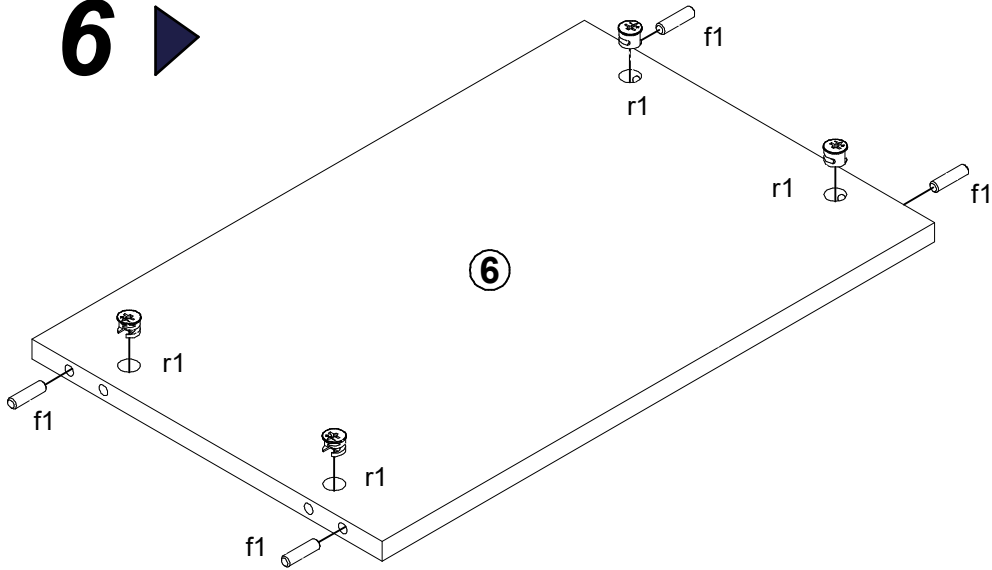


5 ▶

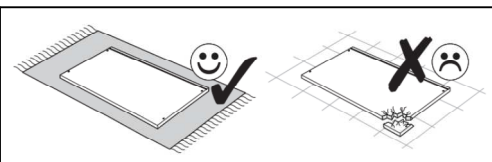
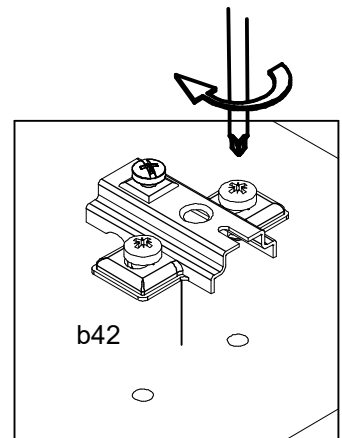
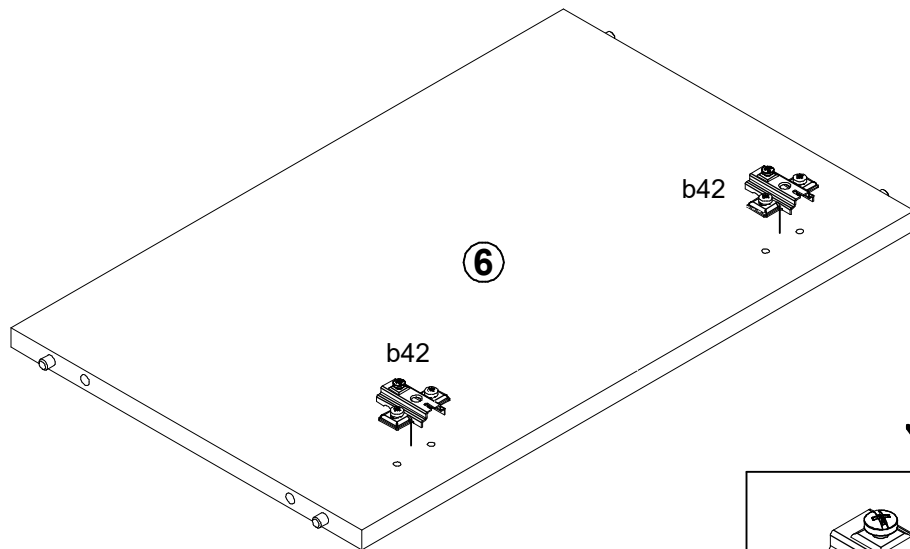


- 2x  b42
- 4x  r1
Ø15x12 mm #16
- 4x  f1
Ø8x30 mm

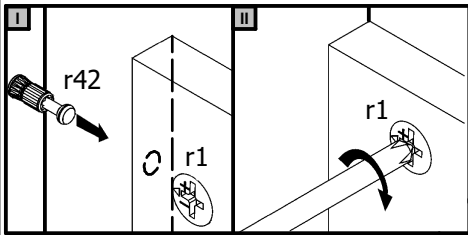
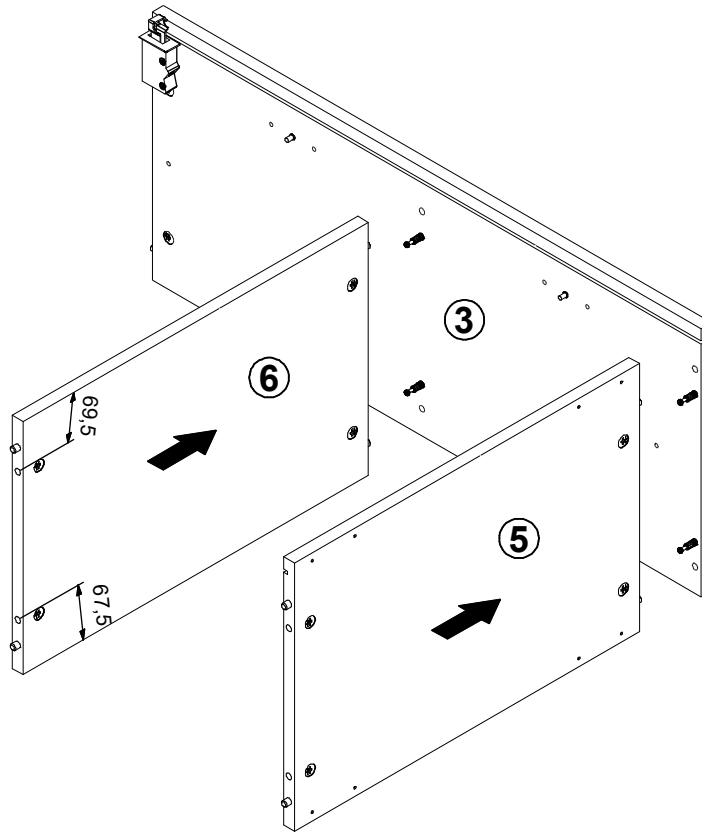
6 ▶



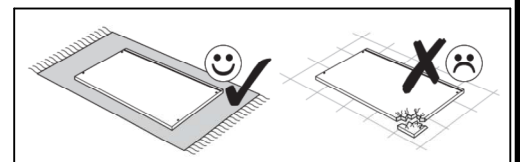
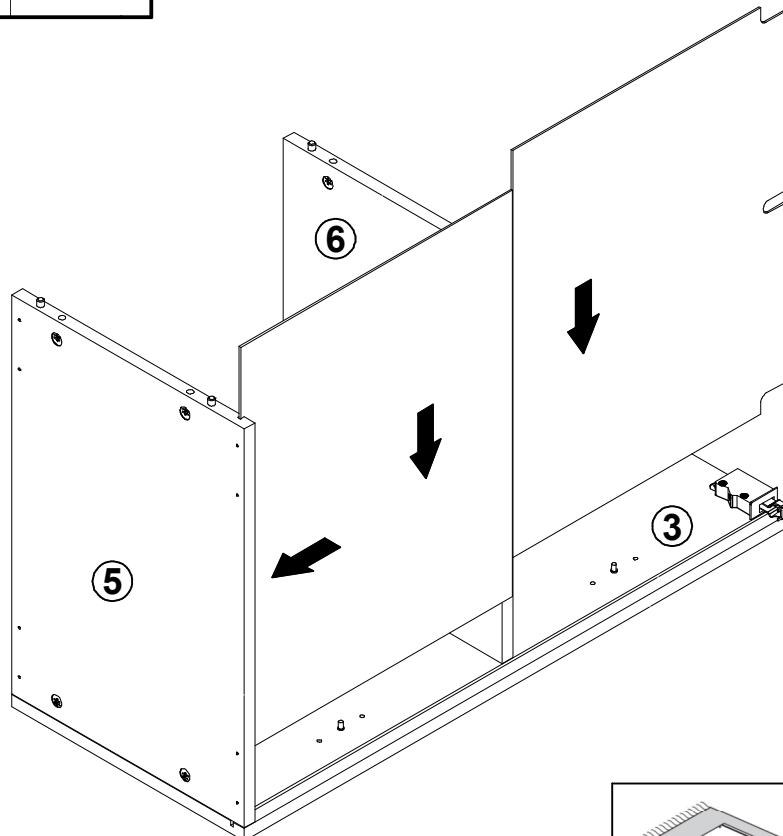
◀ 7



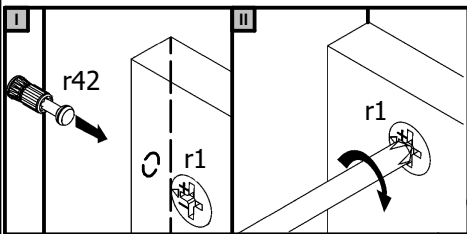
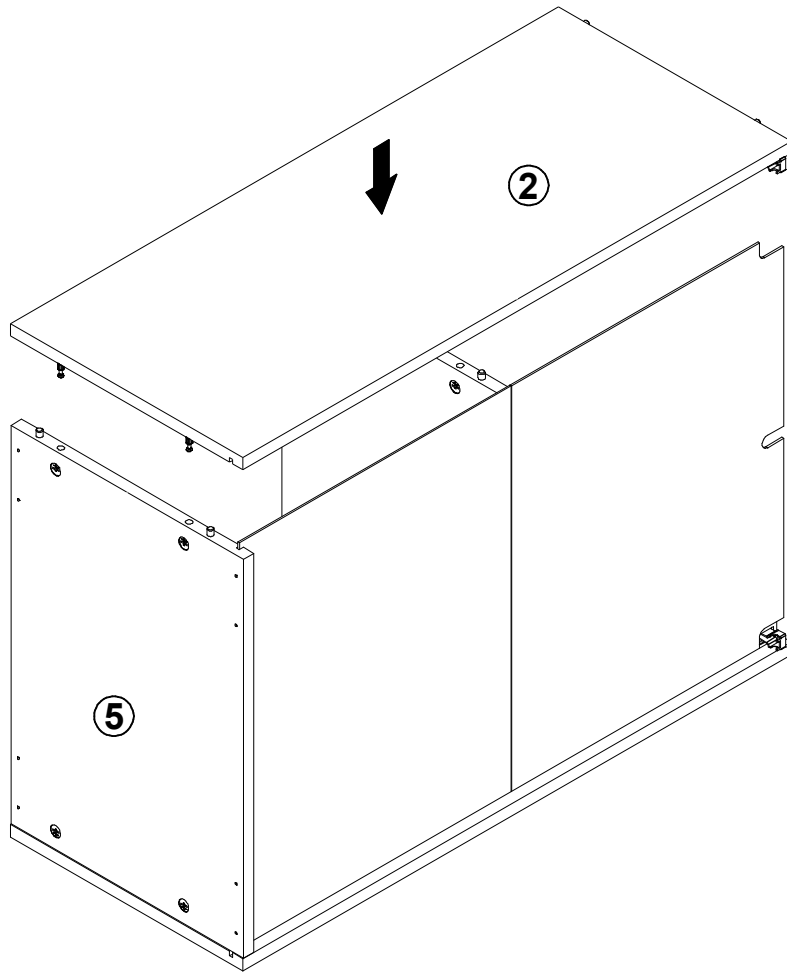
8 ▶



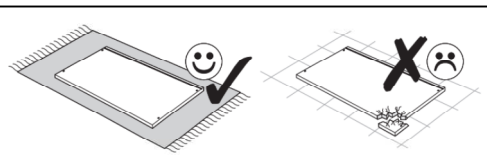
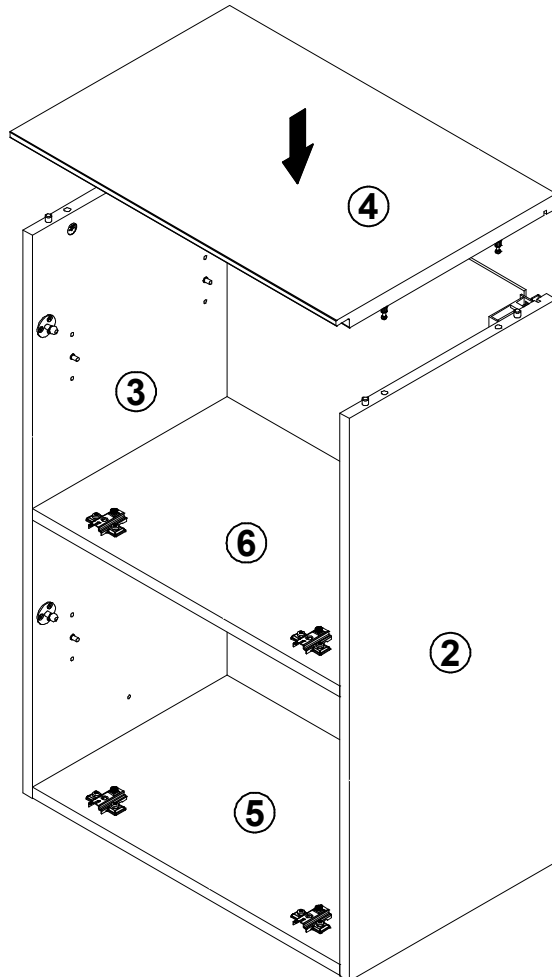
◀ 9




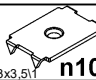

10 ▶

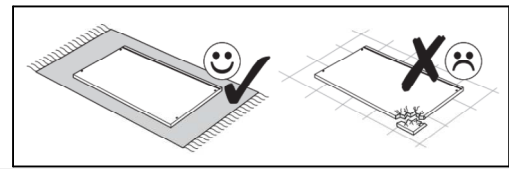
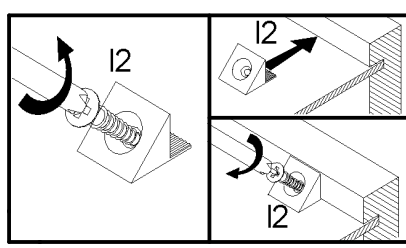
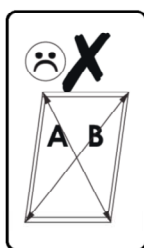
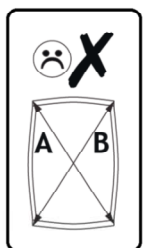
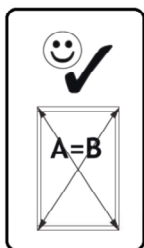
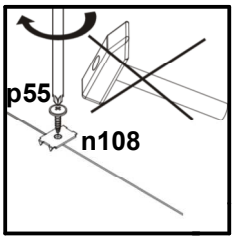
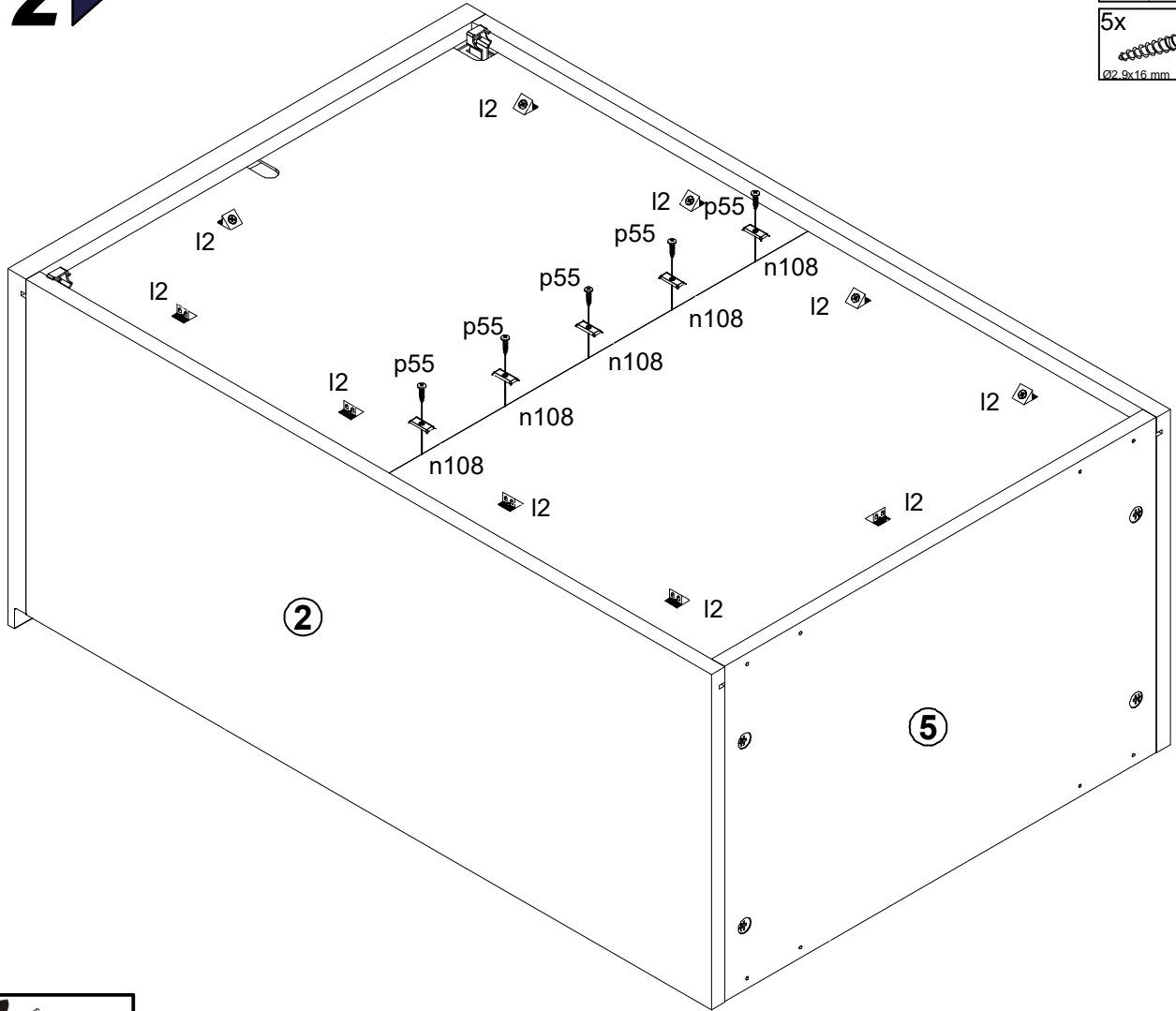


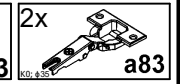
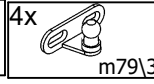
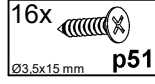
▶ 11



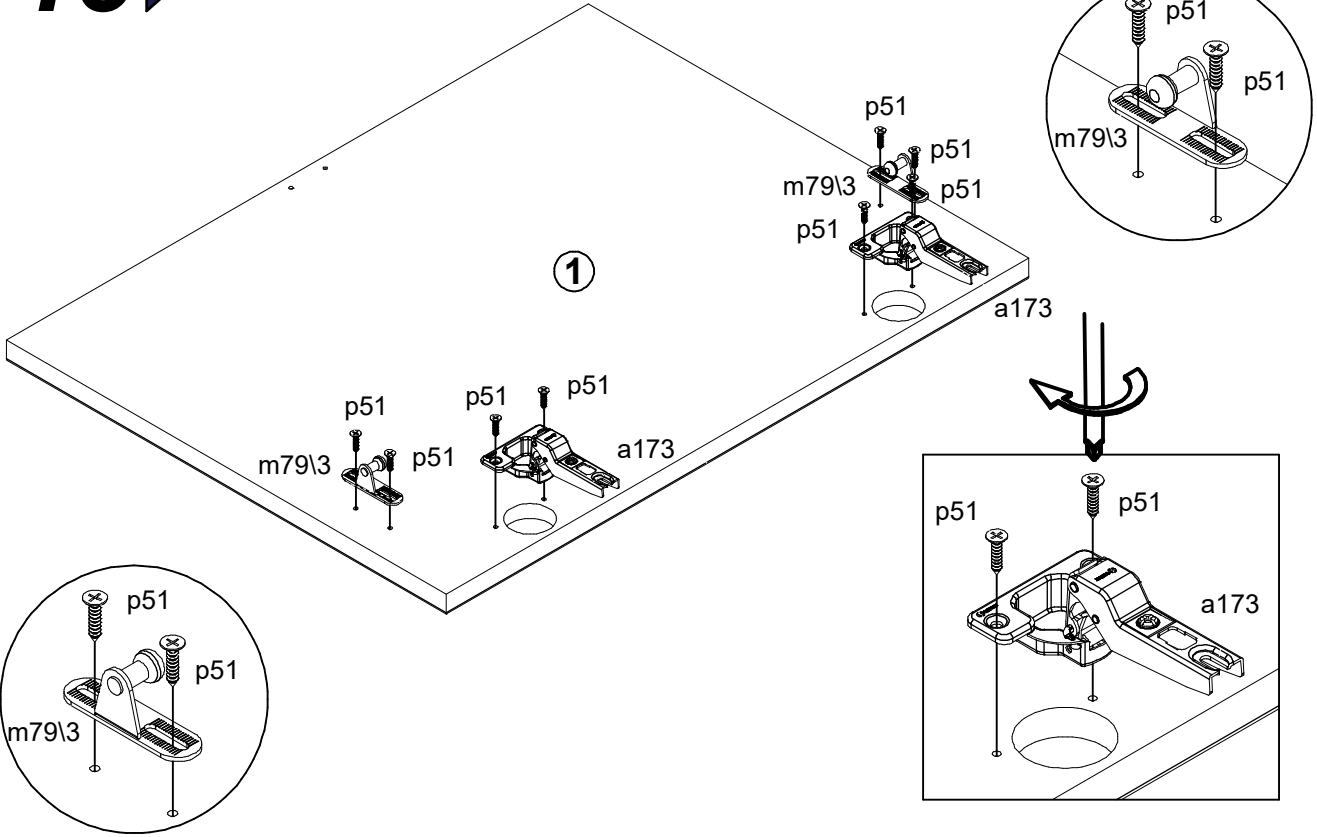
12

- 10x  I2
- 5x  n108
20x13x3.51
- 5x  p55
Ø2.9x16 mm

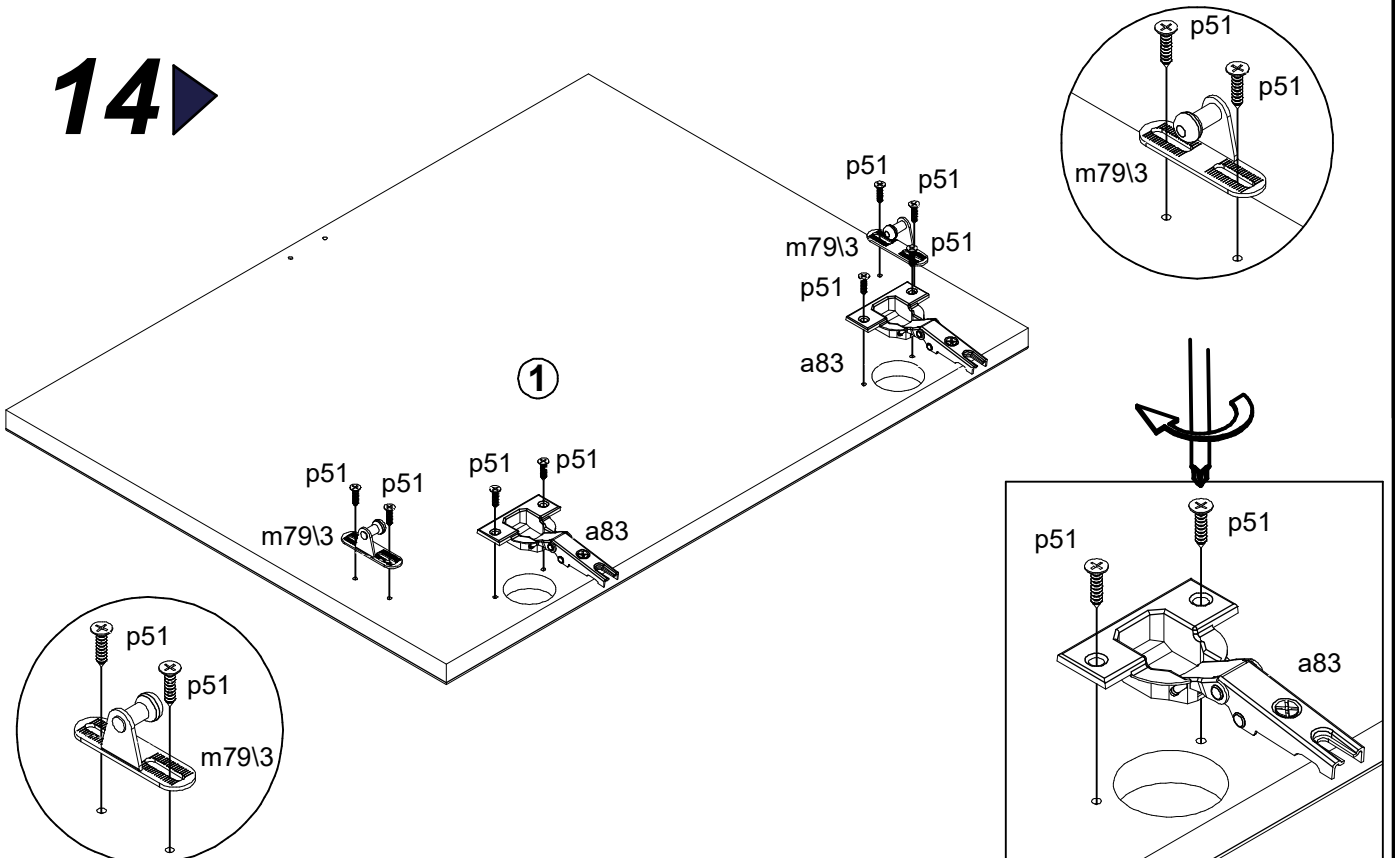




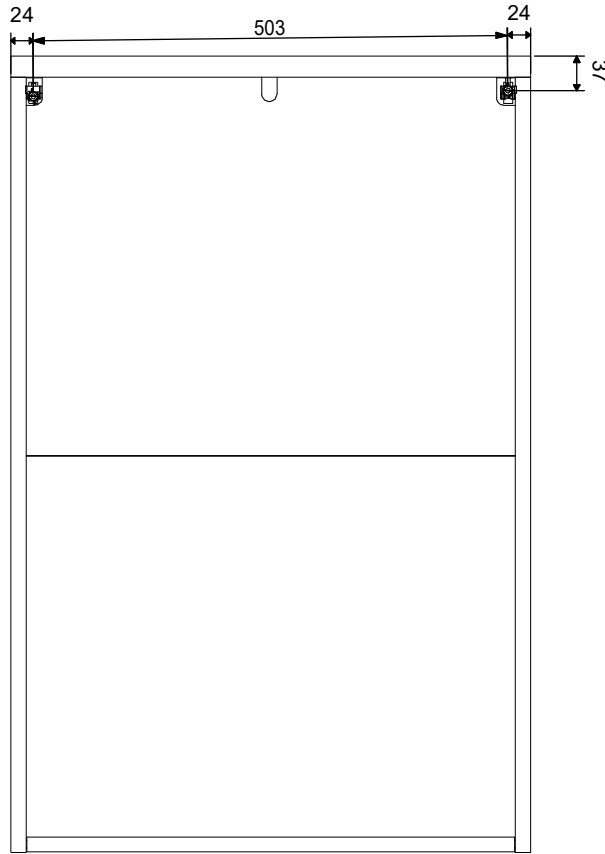
13



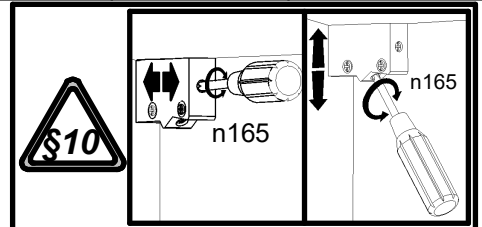
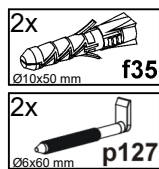
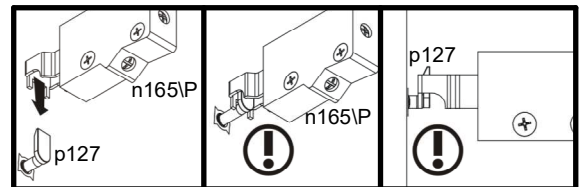
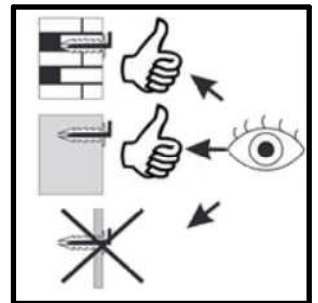
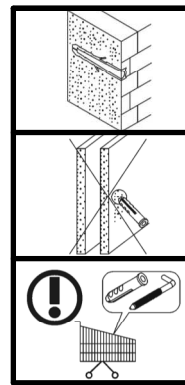
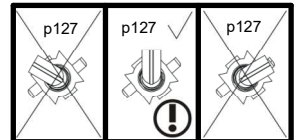
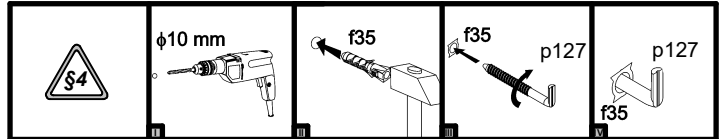
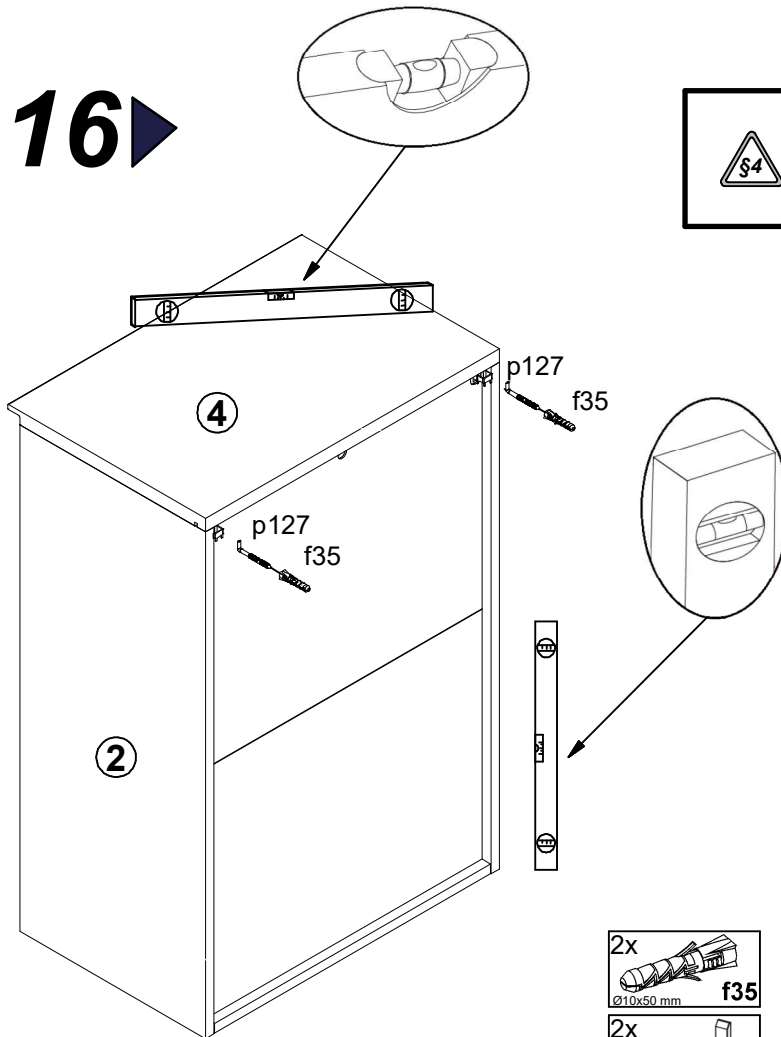
14





15 ▶

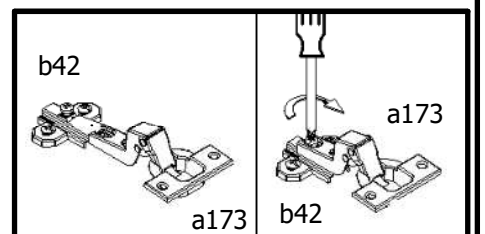
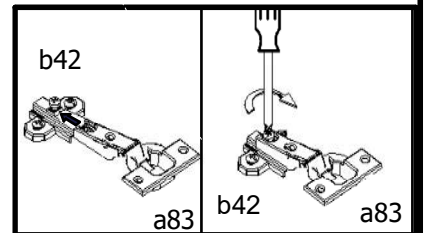
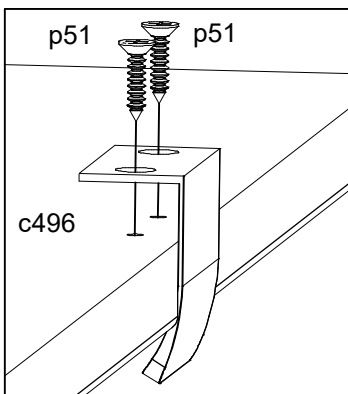
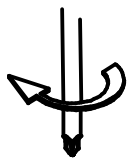
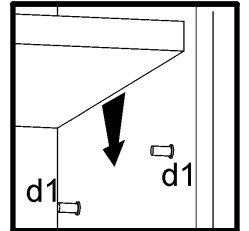
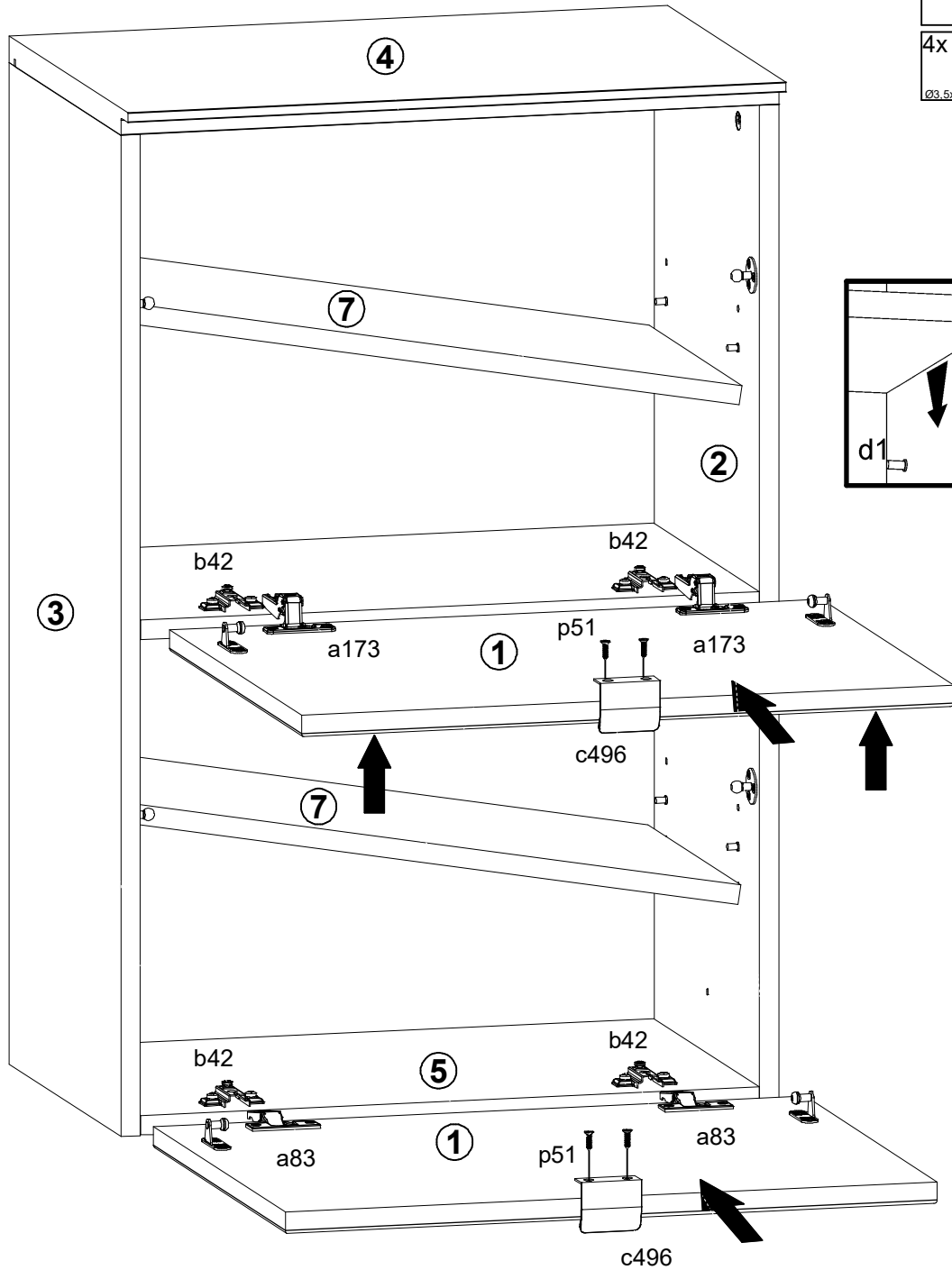


16 ▶

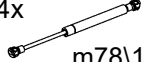



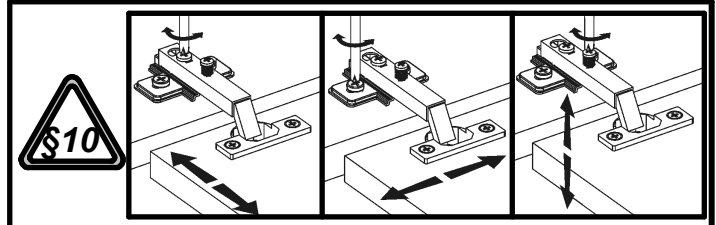
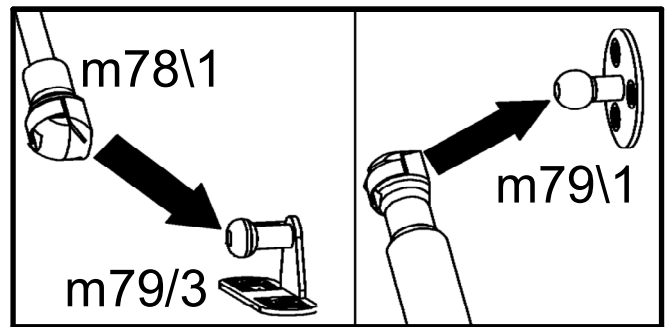
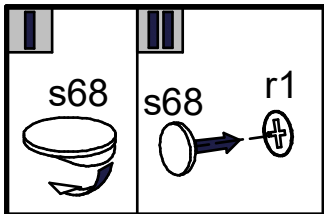
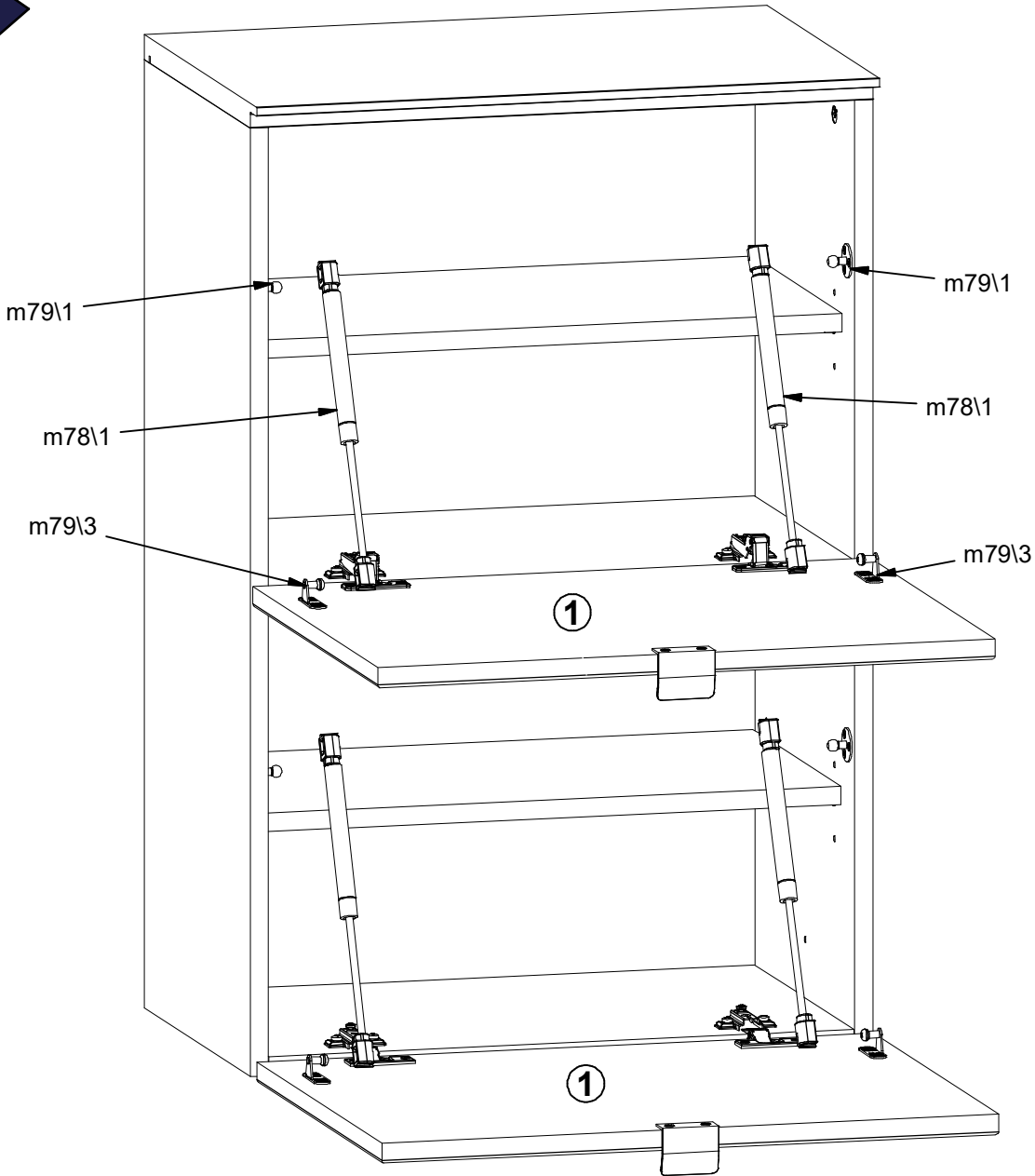
17

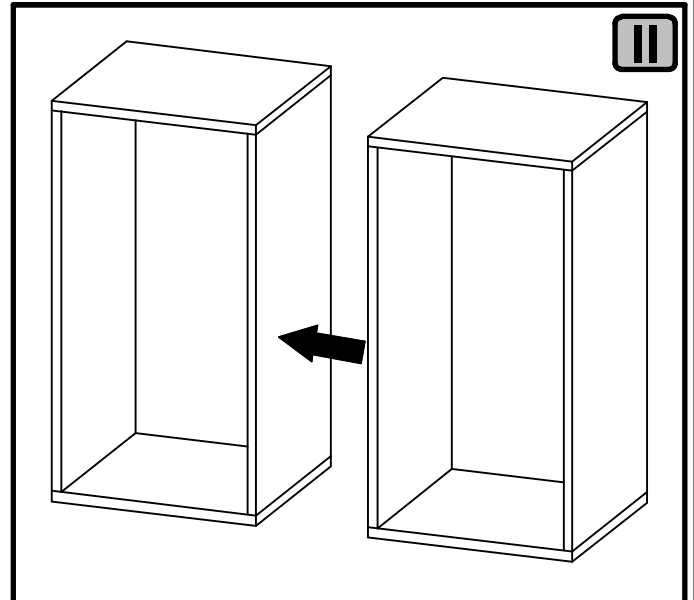
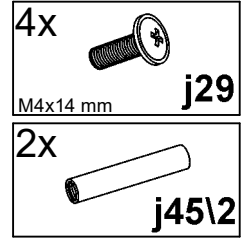
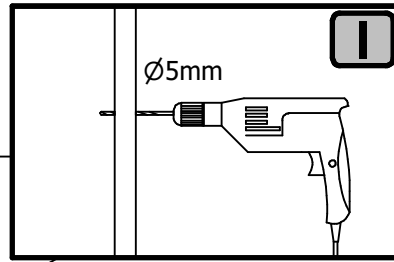
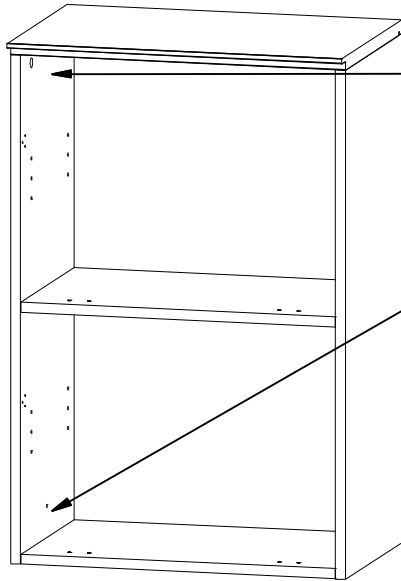
- 2x  c496
- 4x  p51
Ø3.5x15 mm



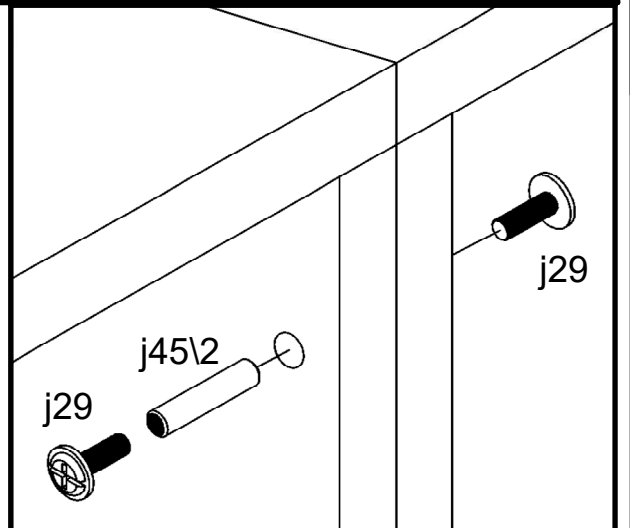
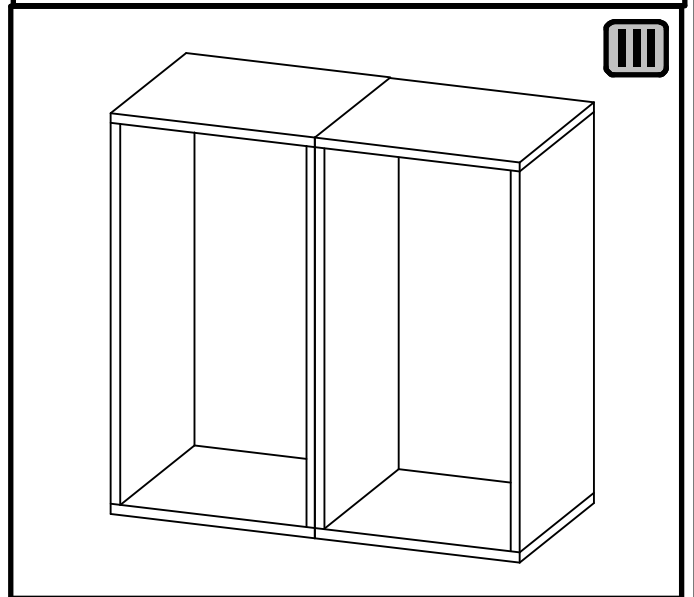
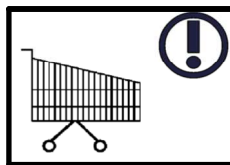
18 ▶

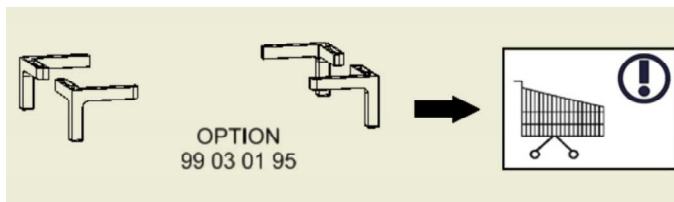
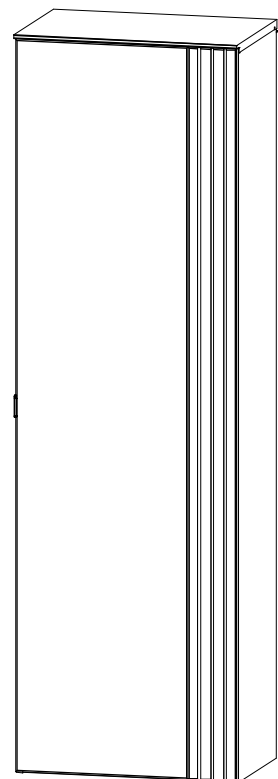
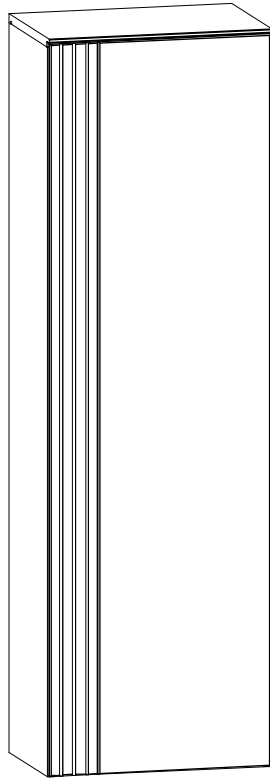
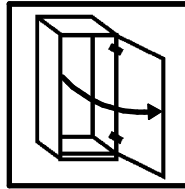
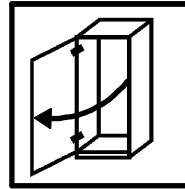
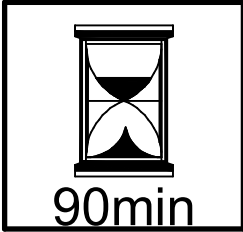
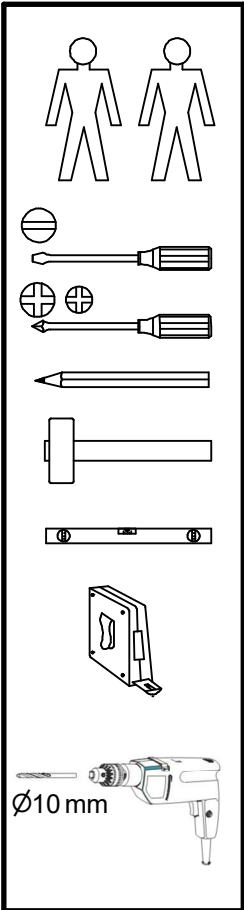
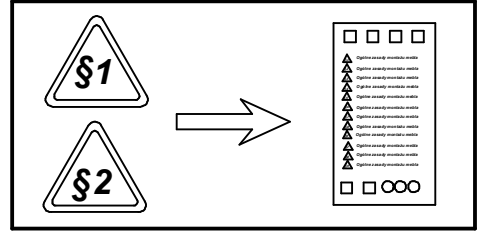
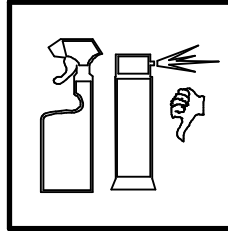
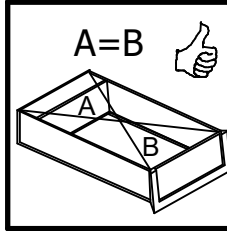
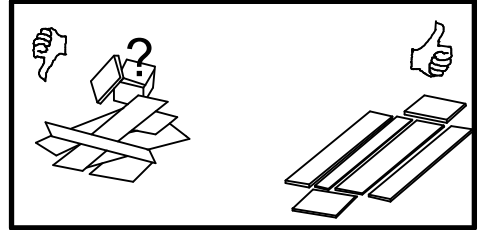
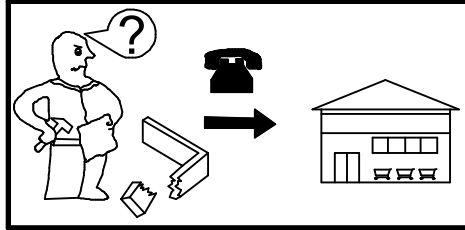
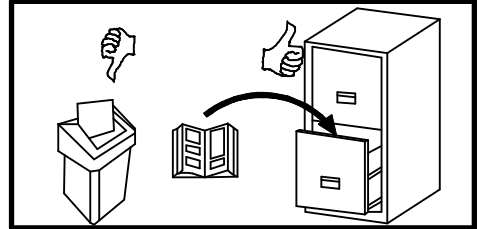
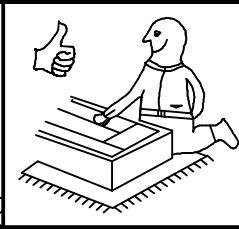
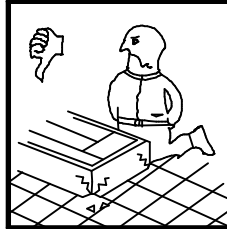
- 4x  m78\1
- 12x  s68
Ø 20mm

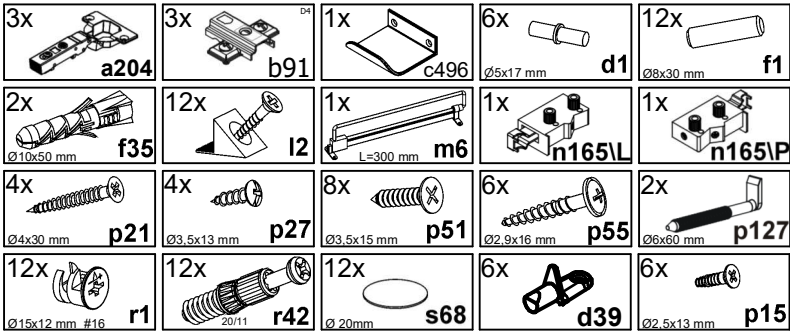




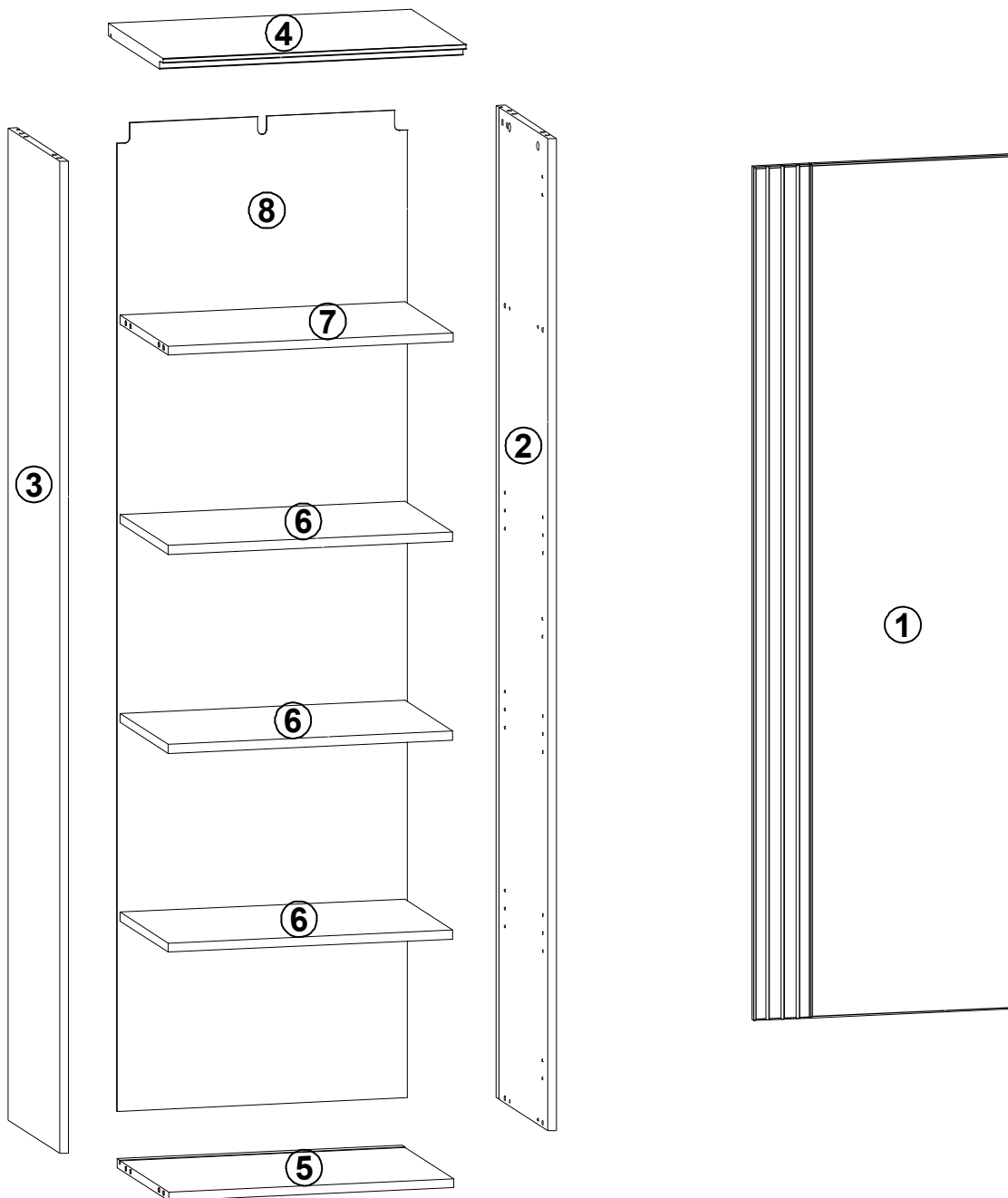
OPTION

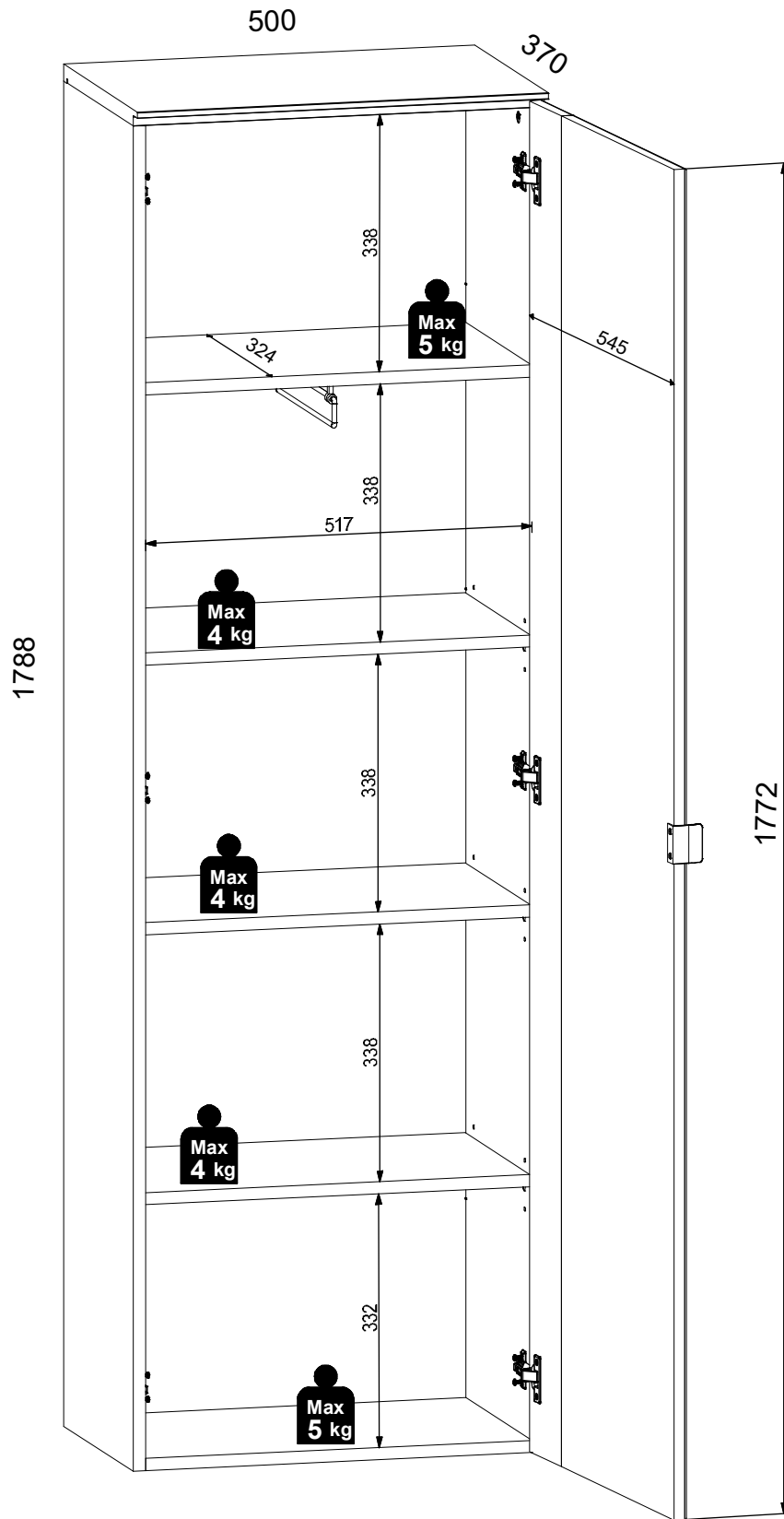




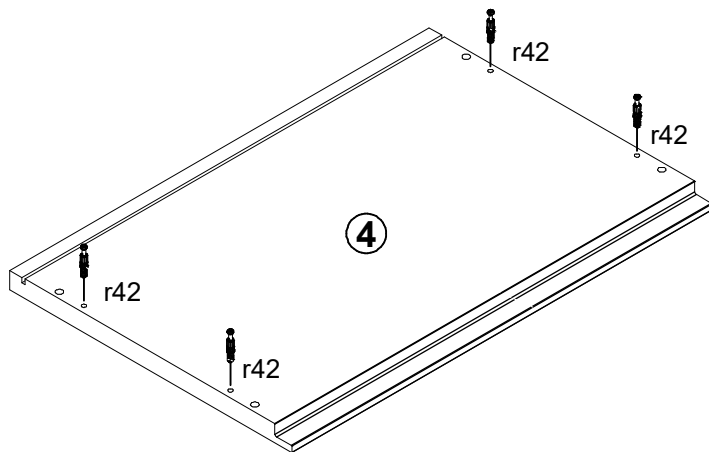





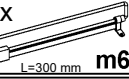
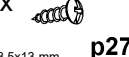
A	B1	B2	C1	C2	C3	C4	D
1	M278-0006	-	1772	545	18	1	2/2
2	M278-1007	-	1765	348	16	1	2/2
3	M278-1008	-	1765	348	16	1	2/2
4	M278-2002	-	550	370	22	1	1/2
5	M278-3010	-	517	348	16	1	1/2
6	M278-3011	-	516	324	16	3	1/2
7	M278-3012	-	517	324	16	1	1/2
8	M278-9004	-	1758	527	2,5	1	2/2

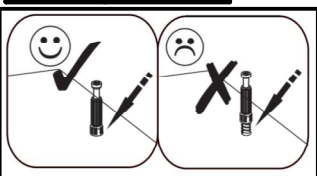
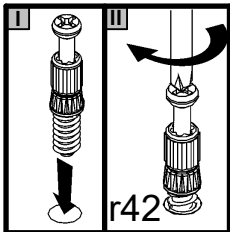




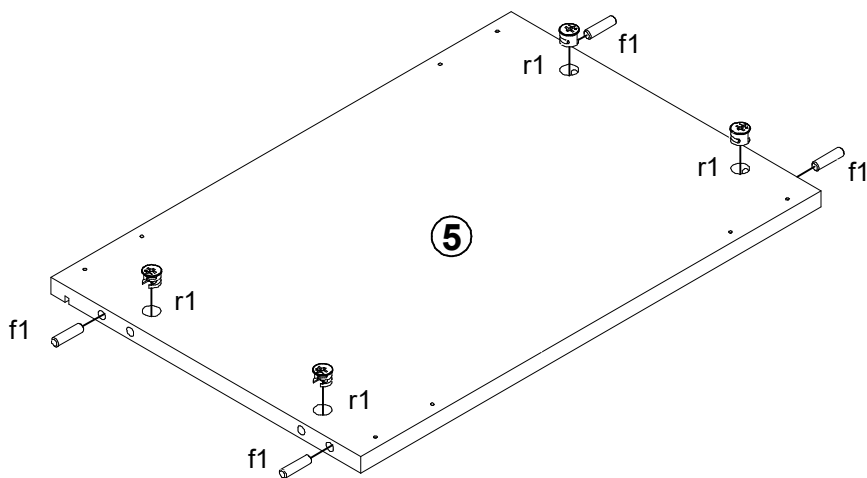
3 ▶



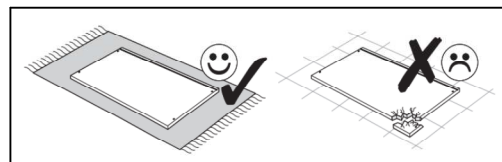
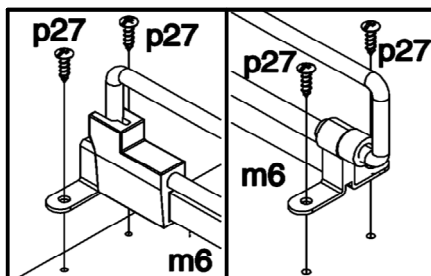
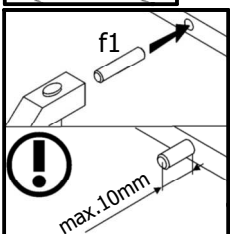
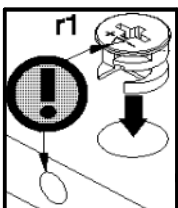
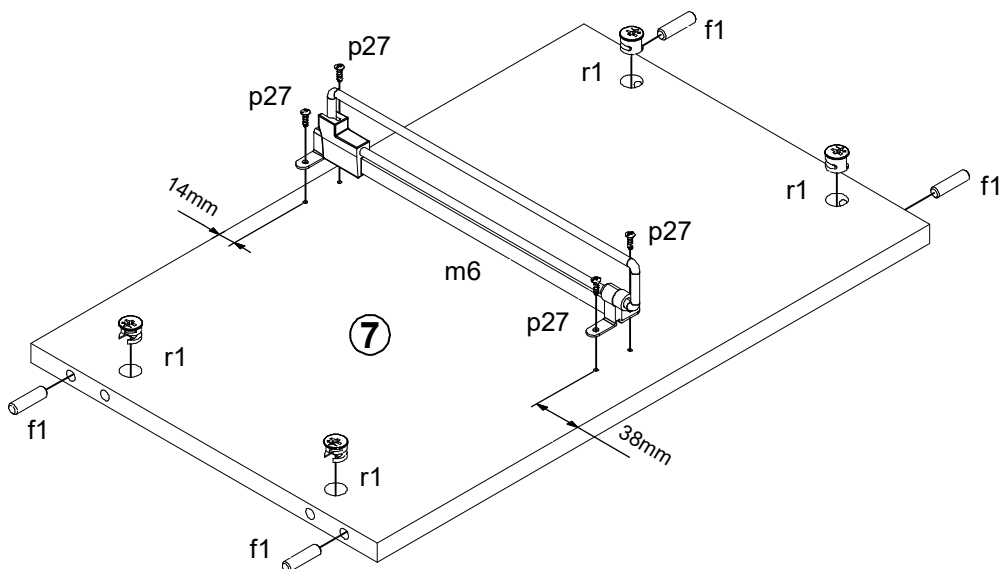
- 4x  r42
- 8x  f1
Ø8x30 mm
- 8x  r1
Ø15x12 mm #16
- 1x  m6
L=300 mm
- 4x  p27
Ø3.5x13 mm



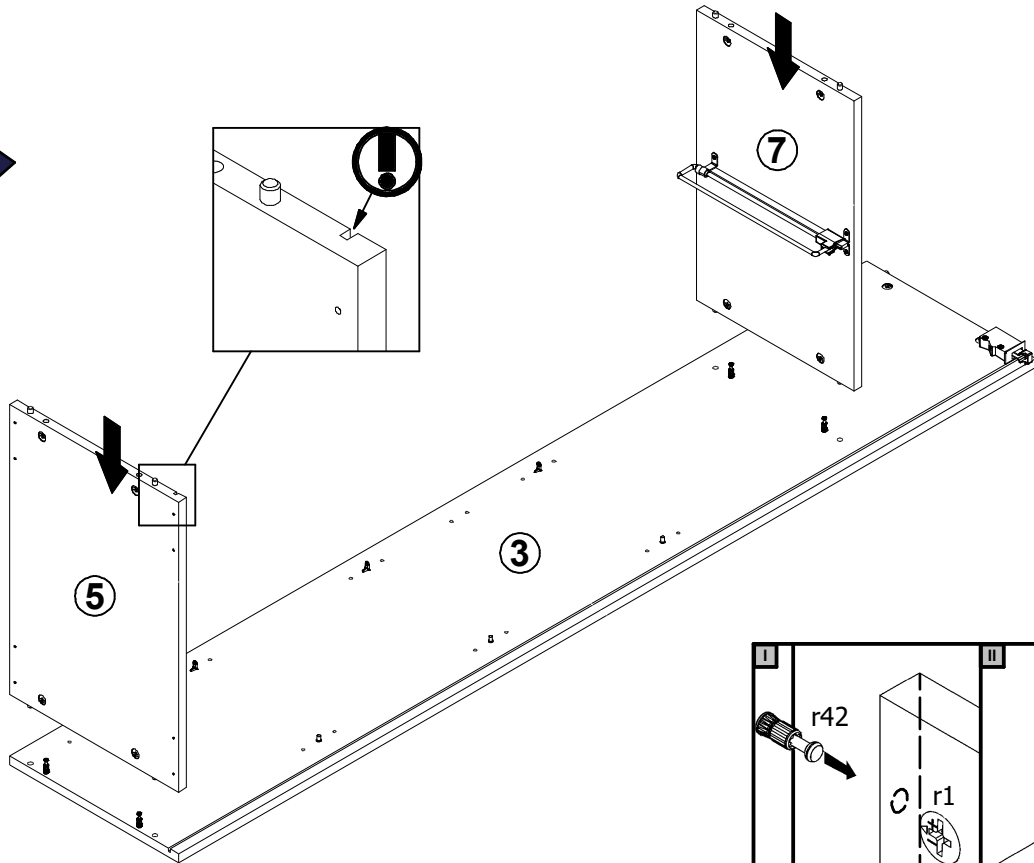
4 ▶



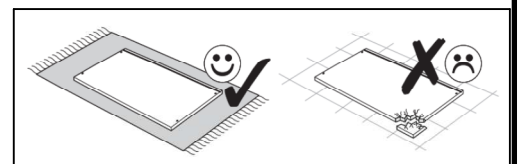
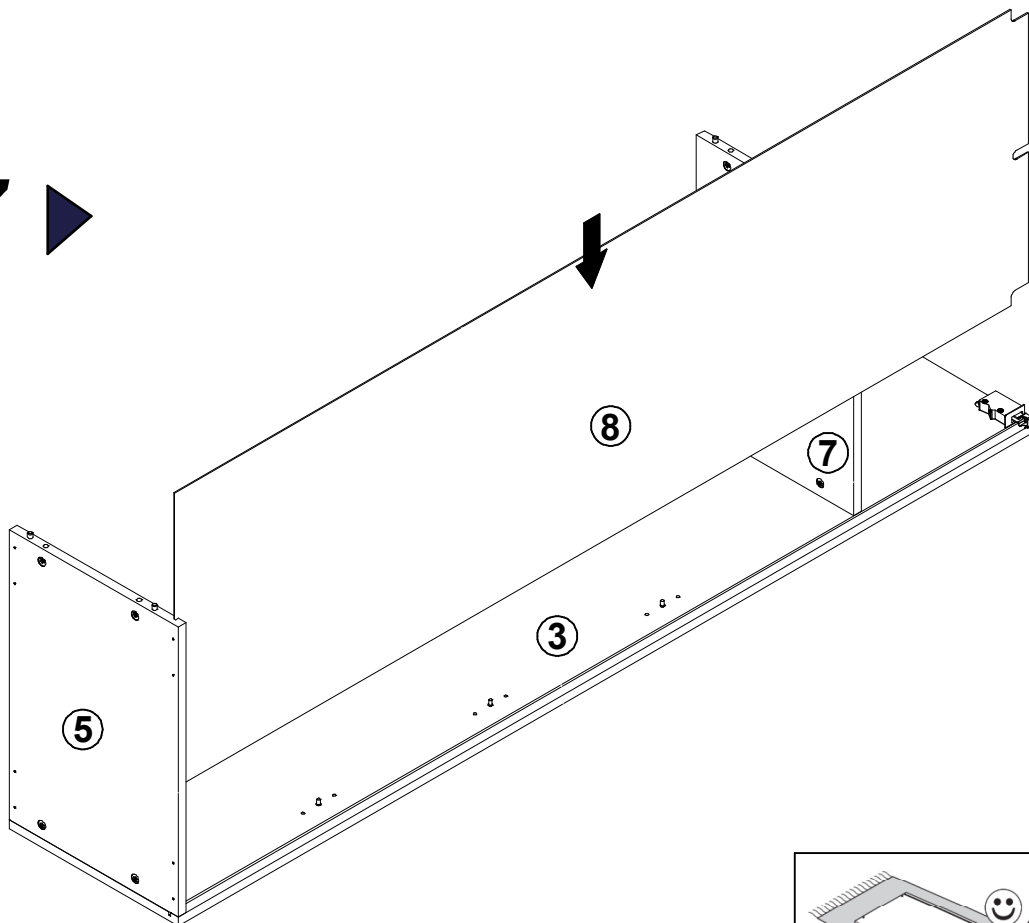
5 ▶



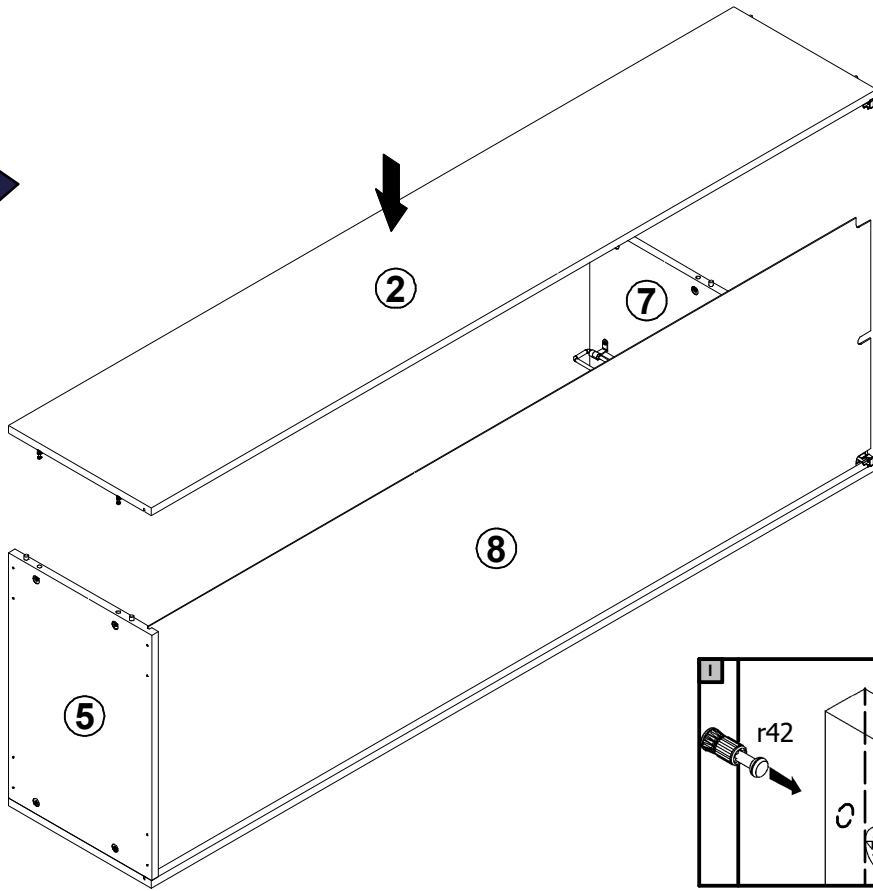
6 ▶



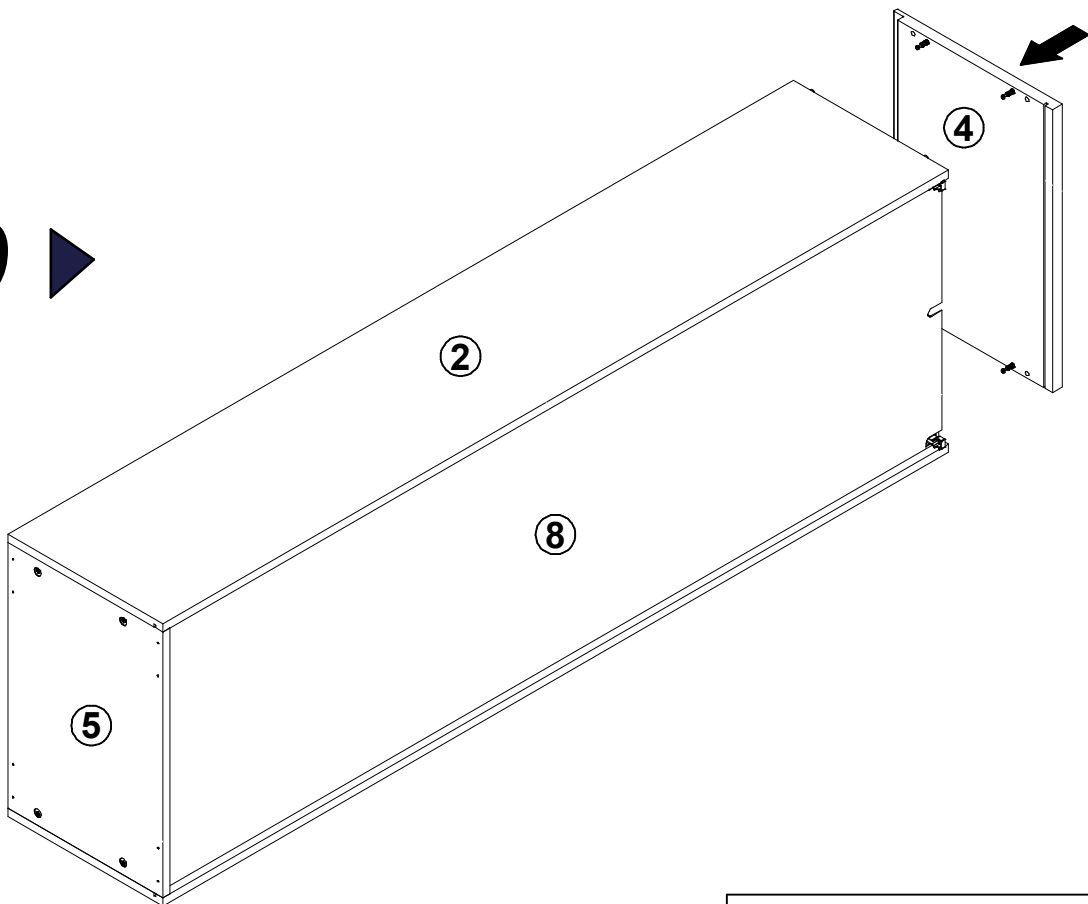
7 ▶

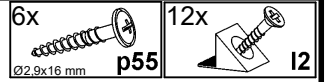


8 ▶

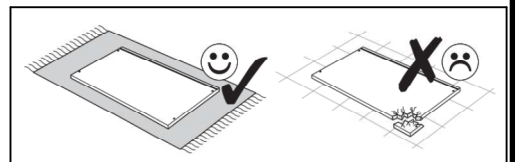
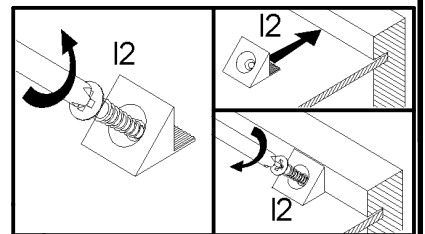
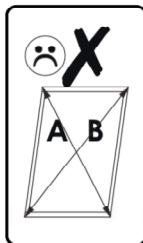
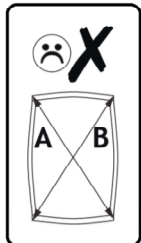
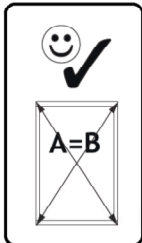
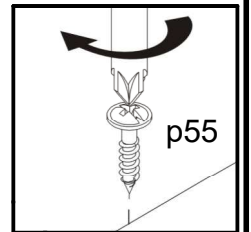
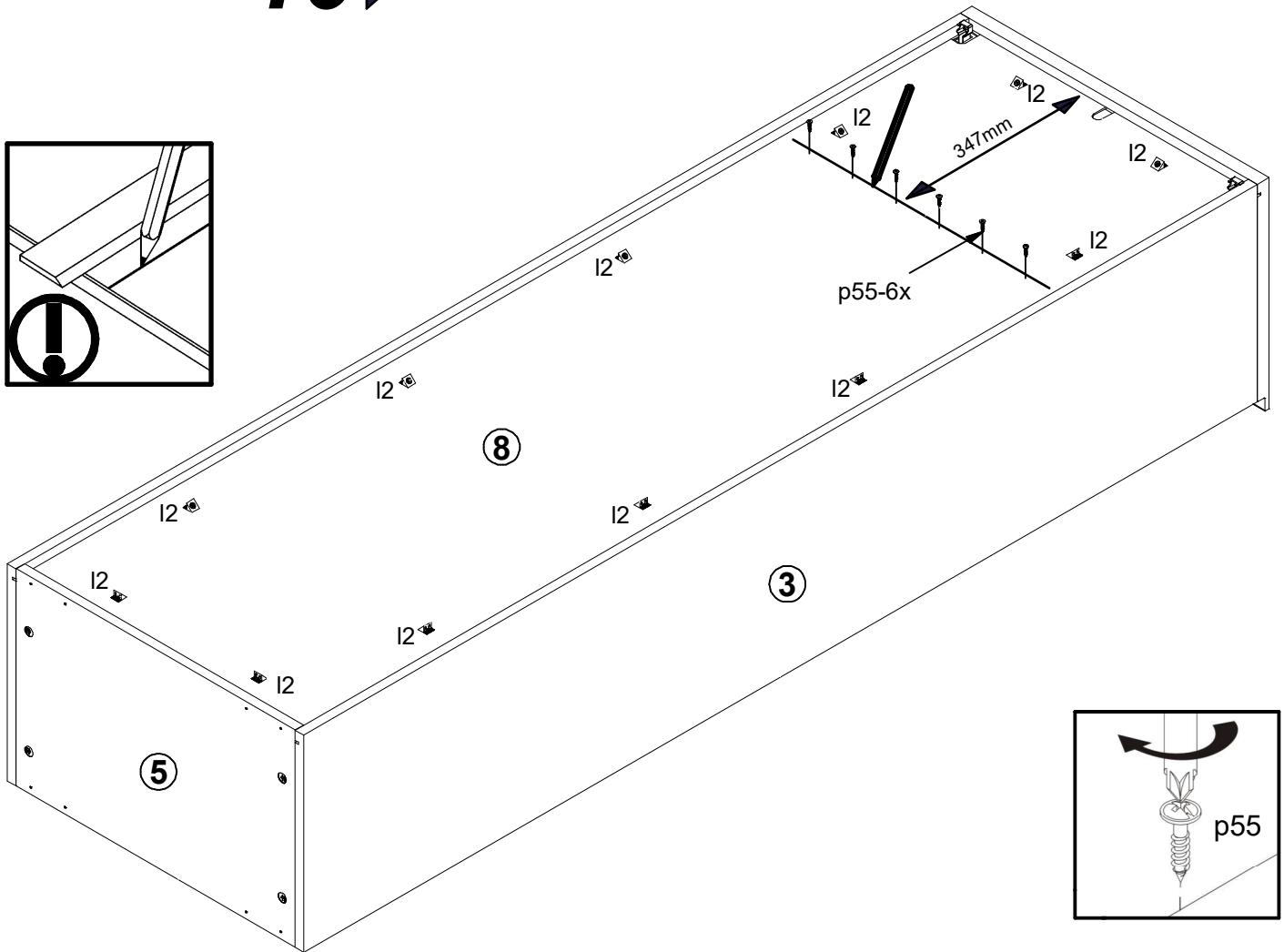
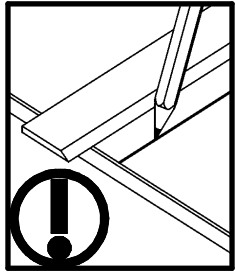


9 ▶

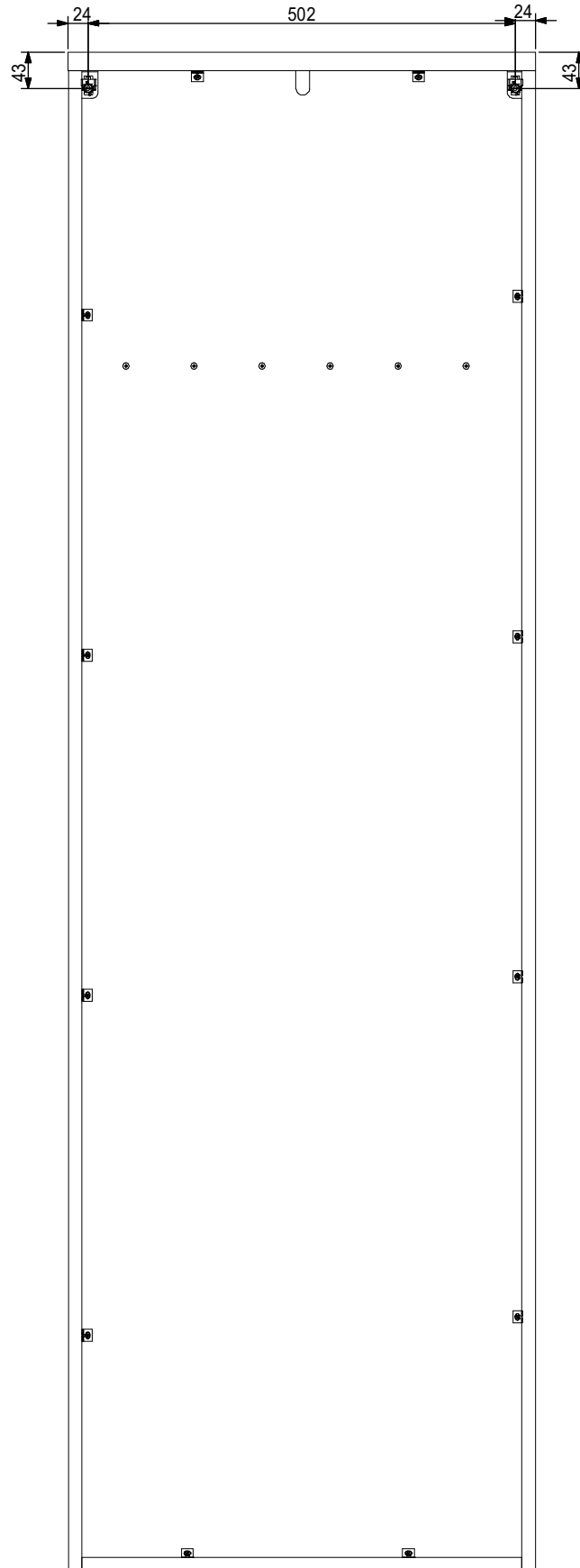


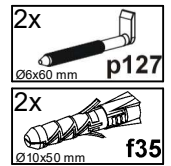
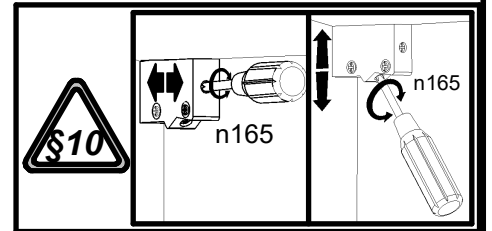
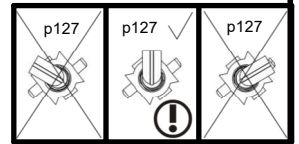
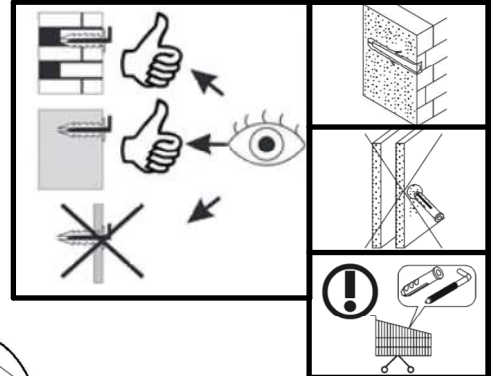
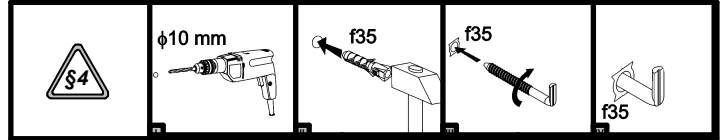
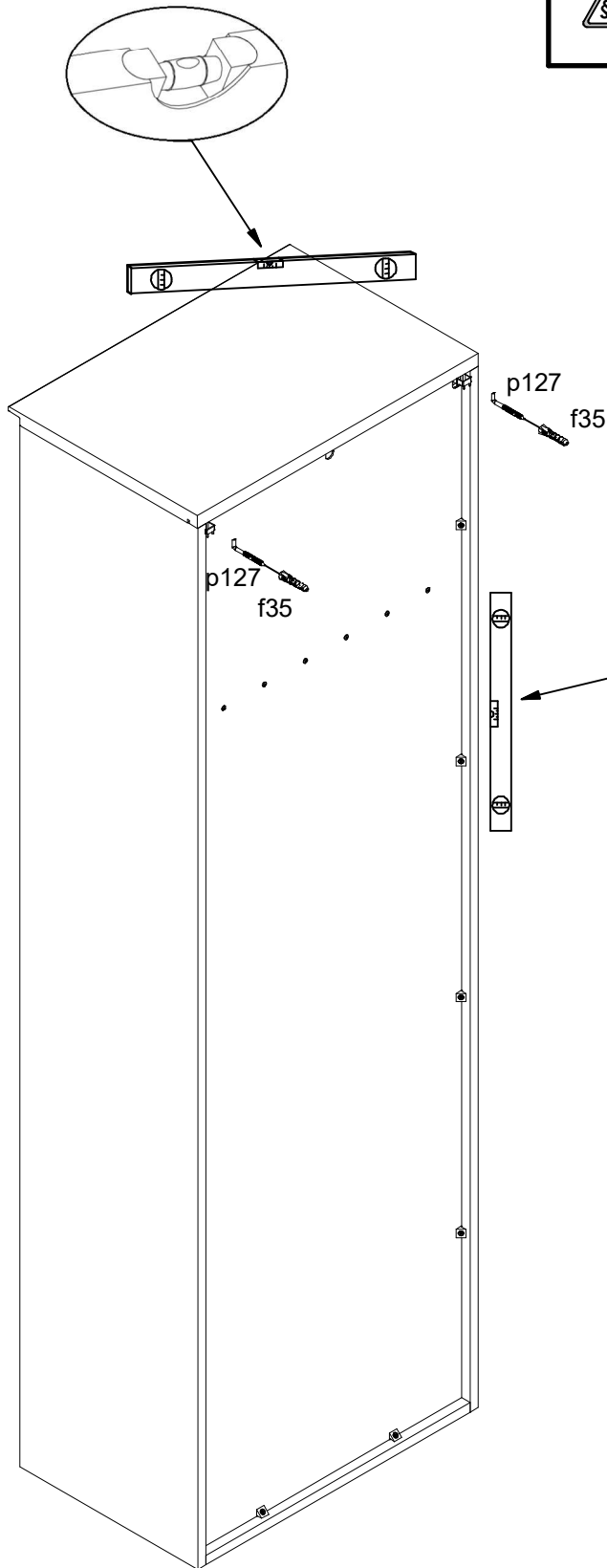


10 ▶

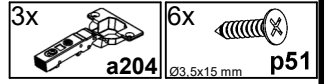


11 ▶

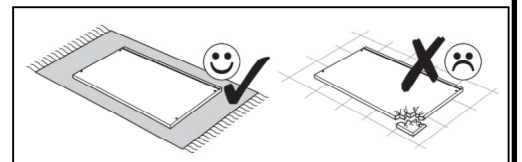
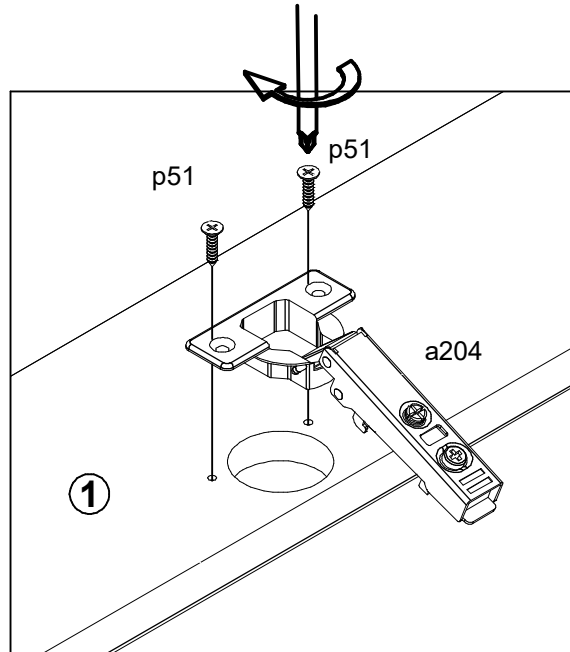
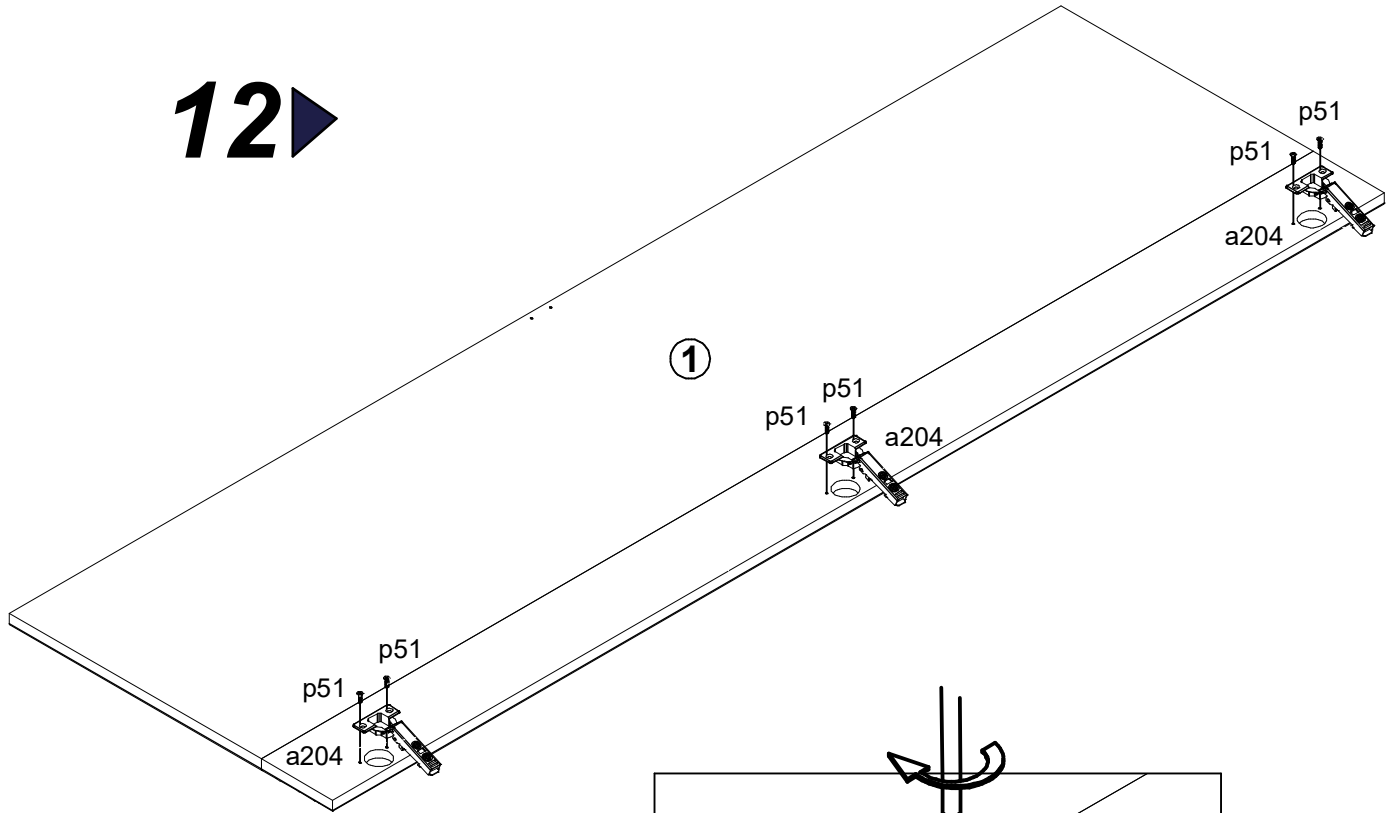


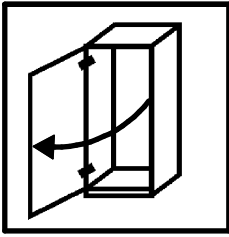


11


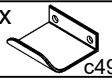



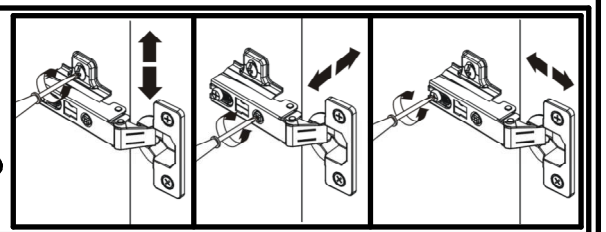
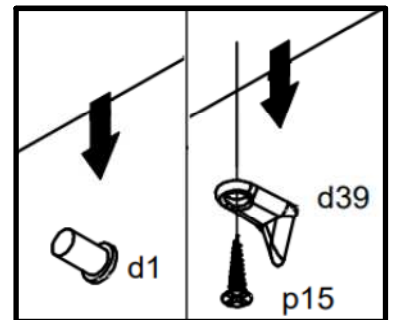
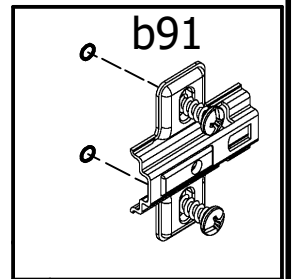
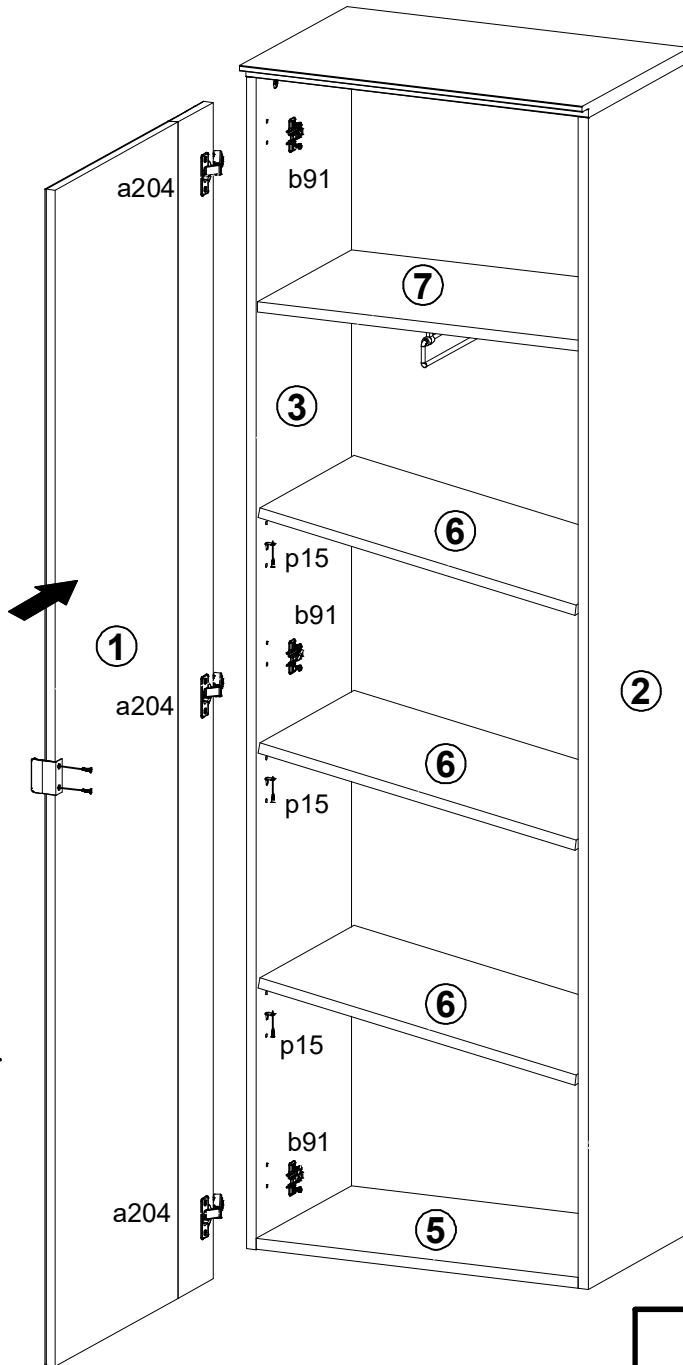
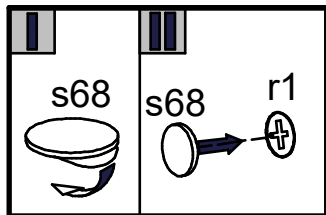
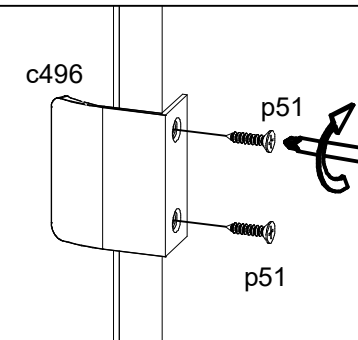
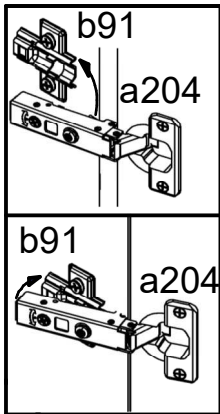
12 ▶

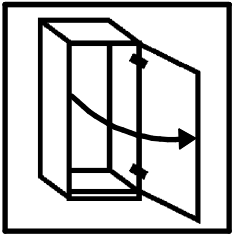




13 ▶

- 12x  **s68**
∅ 20mm
- 1x  **c496**
- 2x  **p51**
∅3.5x15 mm
- 3x  **b91**
- 6x  **p15**
∅2.5x13 mm





- 12x \varnothing 20mm **s68**
- 1x **c496**
- 2x \varnothing 3.5x15 mm **p51**
- 3x **b91**
- 6x \varnothing 2.5x13 mm **p15**

14

