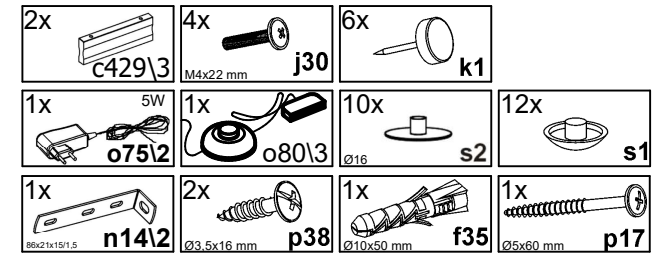
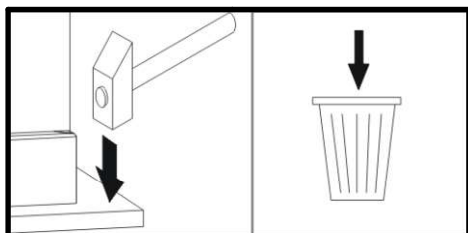
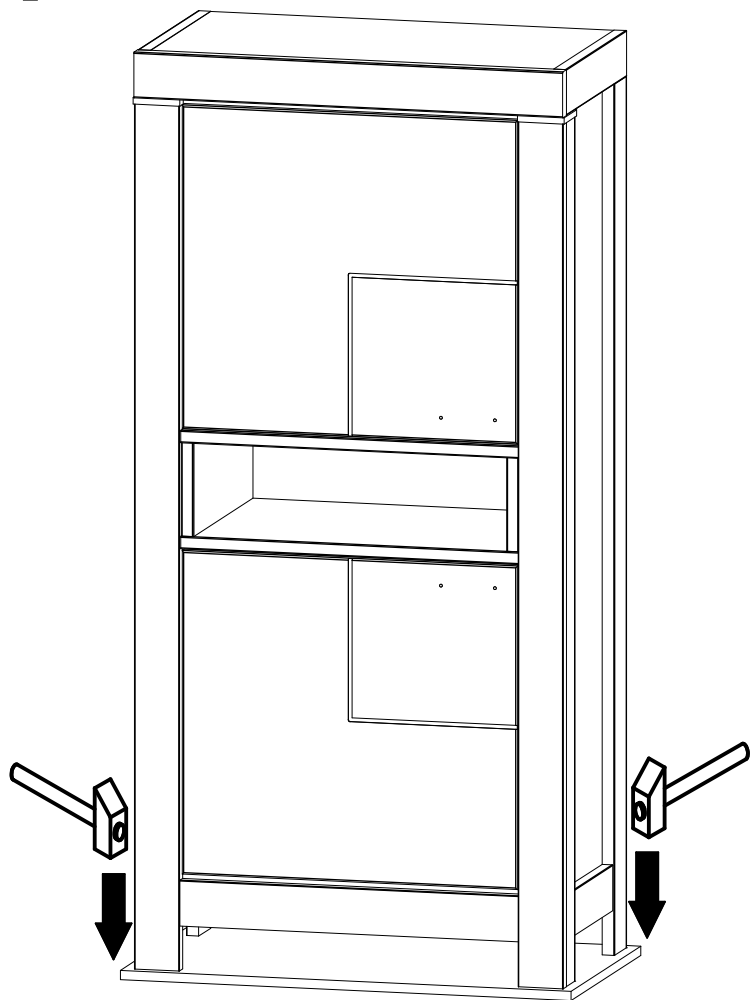


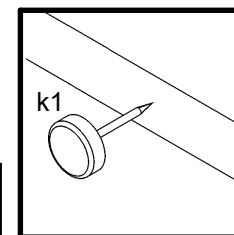
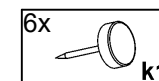
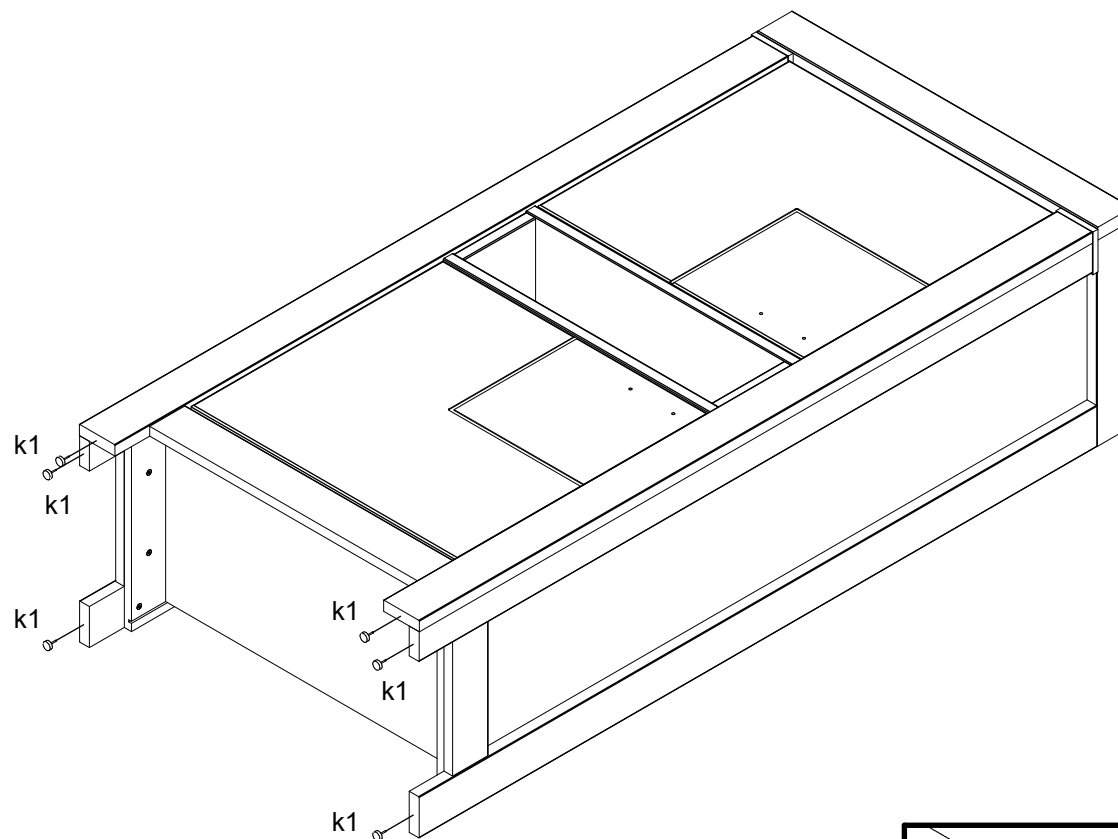
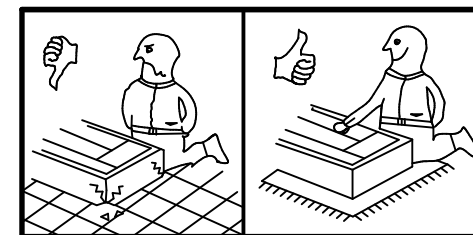
A	B	C (mm)		D
1	S228-5506	401	80	1/1
2	S271-0004	565	597	1/1
3	S271-0012	565	597	1/1
4	S271-1006	1506,	401	1/1
5	S271-1007	1506,	401	1/1
6	S271-1009	163	395	1/1
7	S271-2001	718,	401	1/1
8	S271-2005	601	397	1/1
9	S271-2006	601	397	1/1
10	S271-3001	686	381	1/1
11	S271-3002	686	381	1/1
12	S271-3003	685	371	1/1
13	S271-3011	686	381	1/1
14	S271-5001	763,	80	1/1
15	S271-5002	603	80,	1/1
16	S271-5009	684	40	1/1
17	S271-5016	1511,	80	1/1
18	S271-5017	1511,	80	1/1
19	S271-5018	1511,	58,	1/1
20	S271-5019	1511,	58,	1/1
21	S271-5020	1521,	80	1/1
22	S271-5021	1521,	80	1/1
23	S271-5023	263	80,	1/1
24	S271-9003	1432	696	1/1



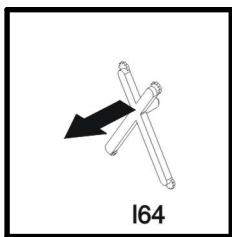
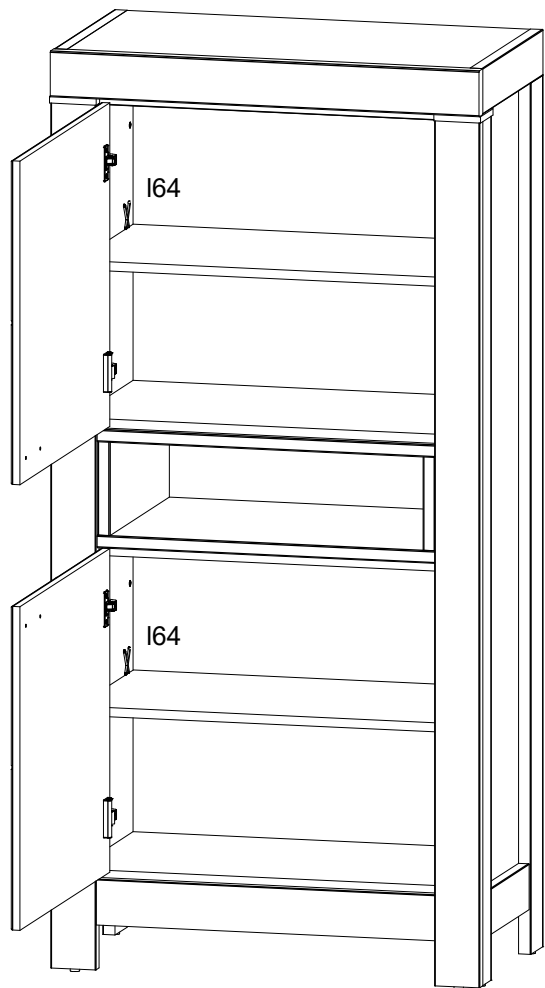
1



2



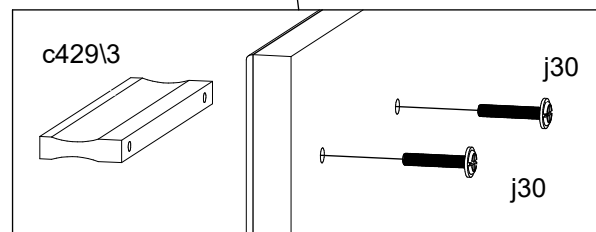
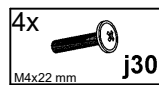
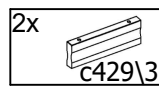
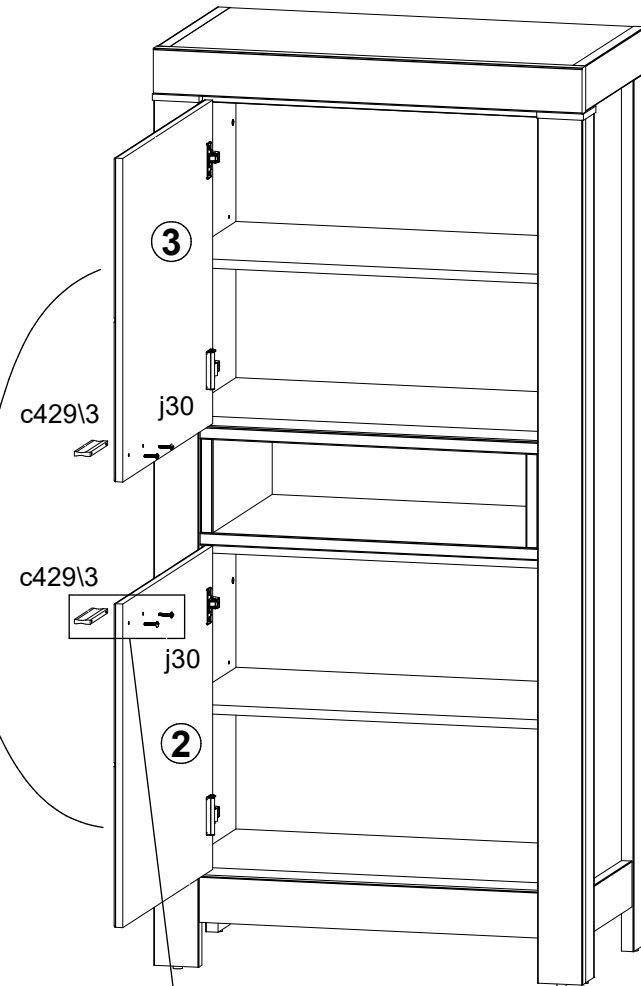
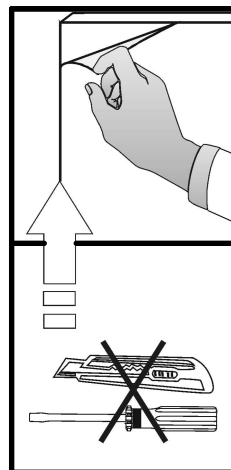
3



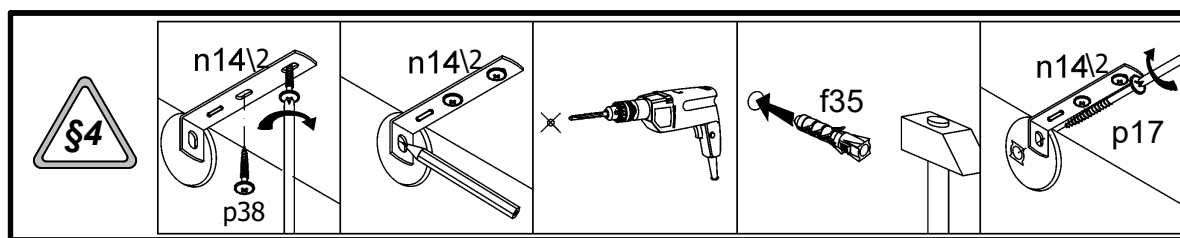
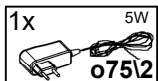
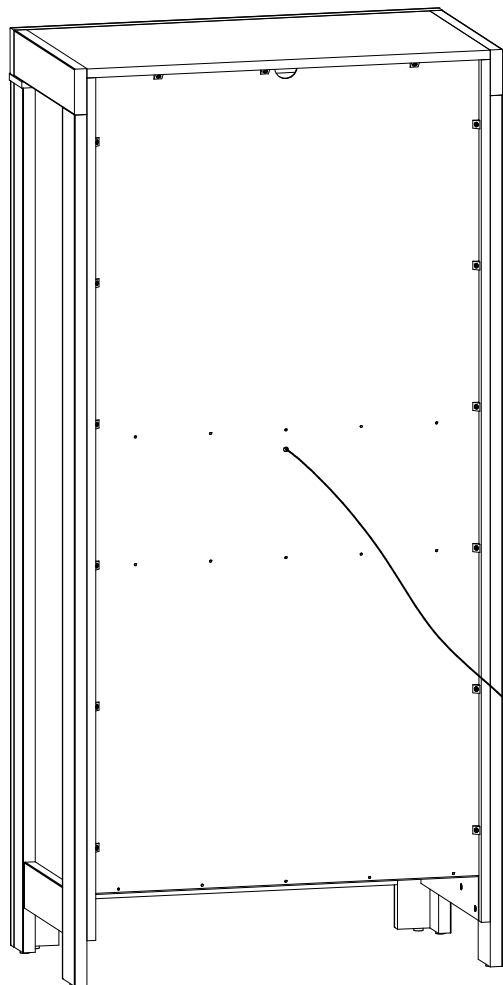
4



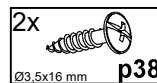
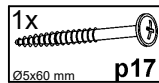
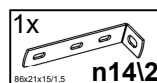
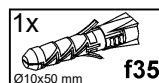
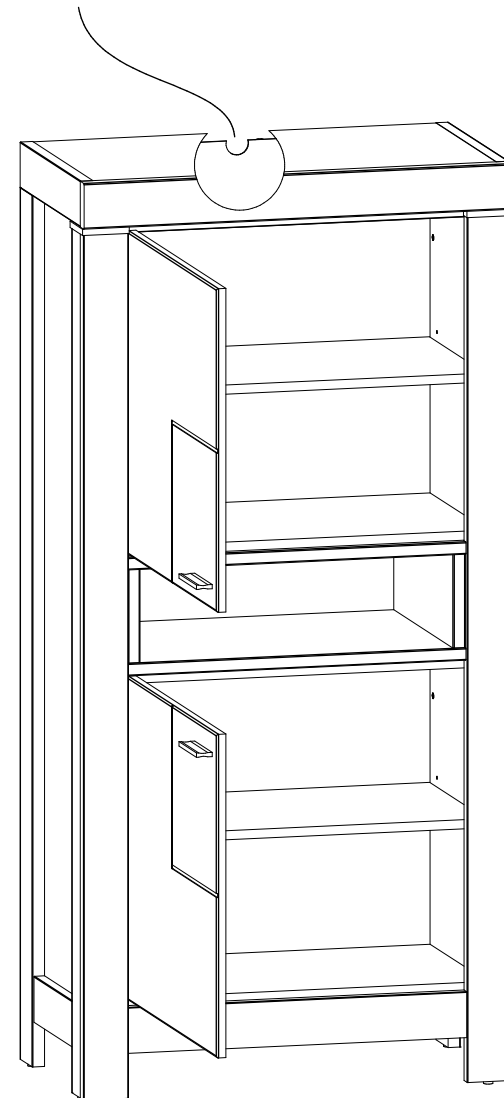
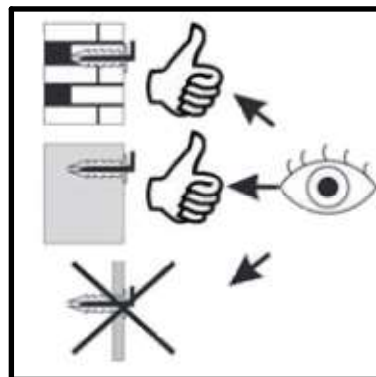
40543W07



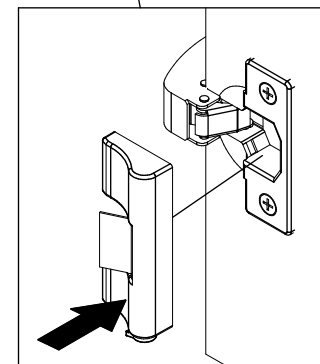
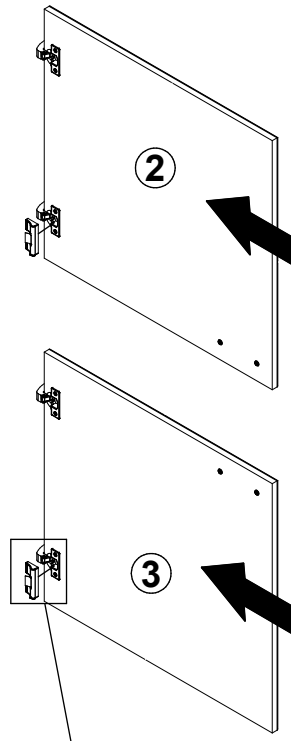
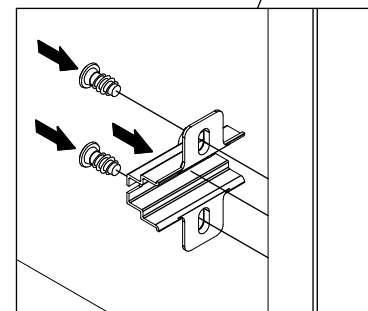
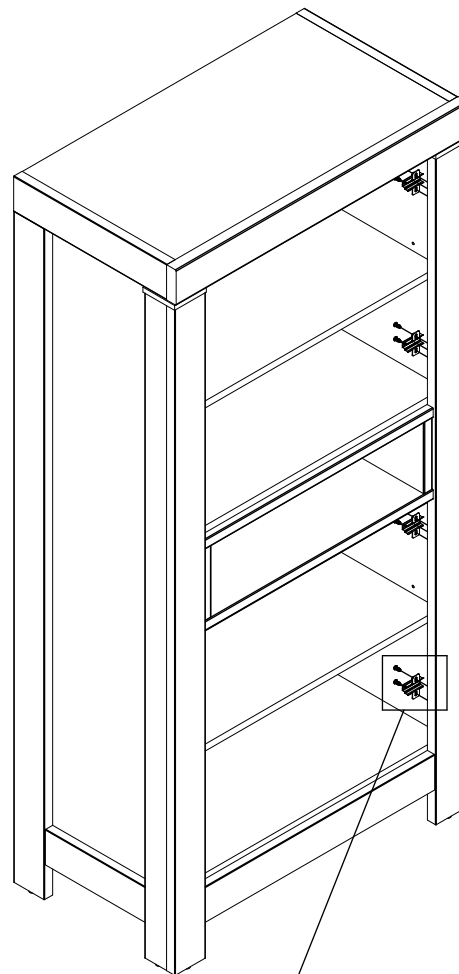
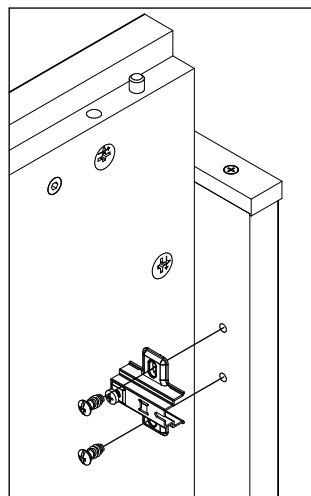
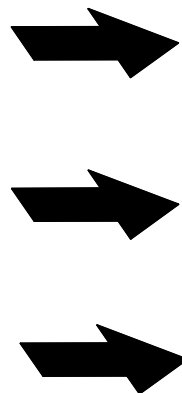
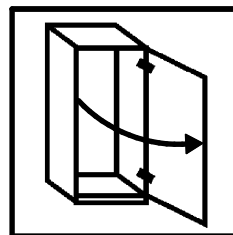
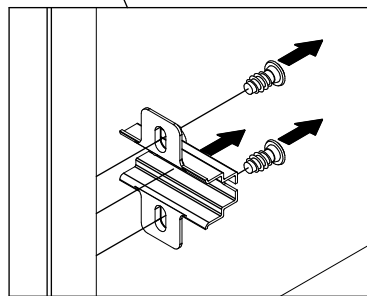
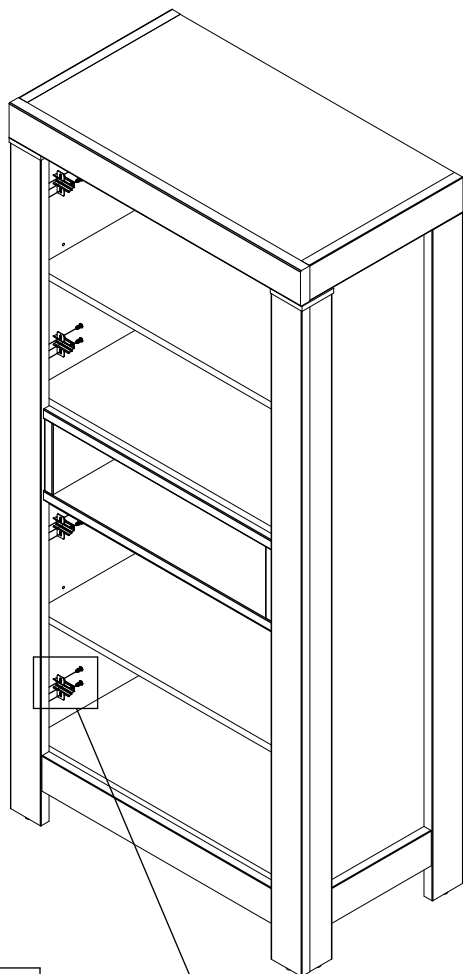
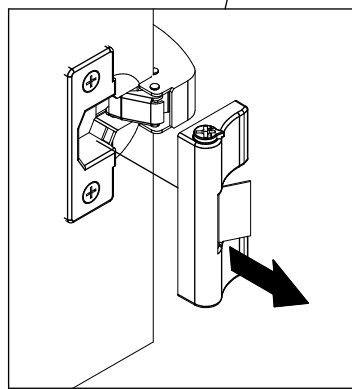
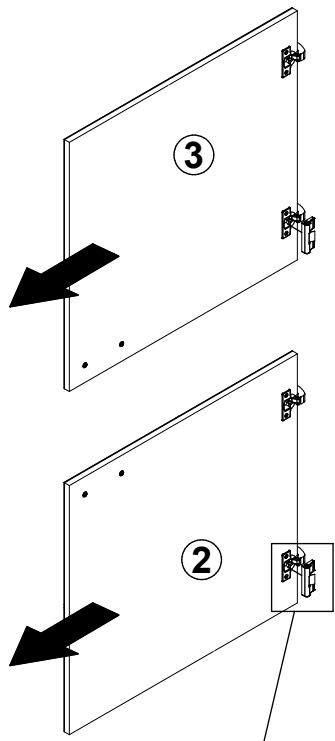
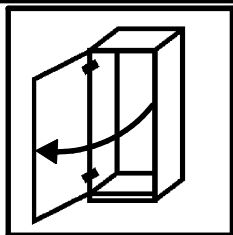
5



6



7



8

