






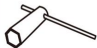
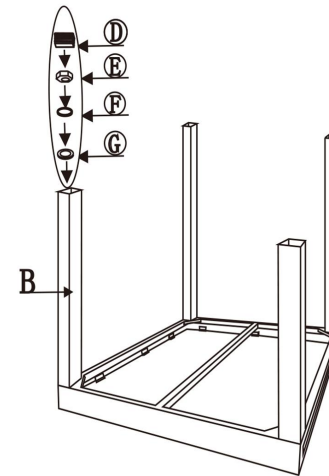
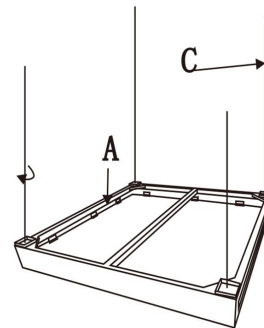


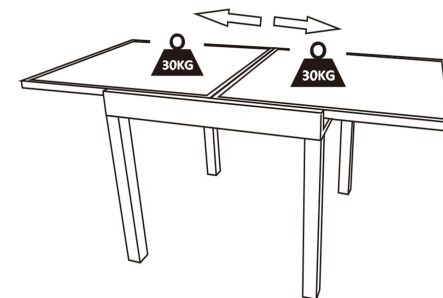
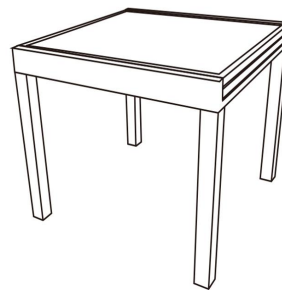
ambia. GARDEN

1037544
1037549

NO.	PICTURE	QTY
A		1
B		4
C	 L650MM	4
D		4
E	 M10	4
F	 $\Phi 17 \times \Phi 11 \times 2.6$	4
G	 $\Phi 20.8 \times \Phi 10.2 \times 1.0$	4
H	 17#	1



① ②
③ ④



15min