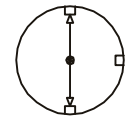
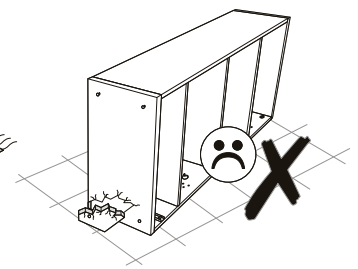
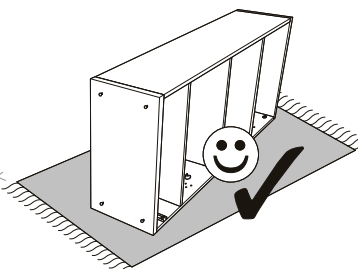
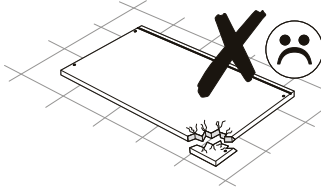
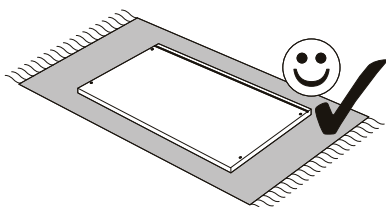
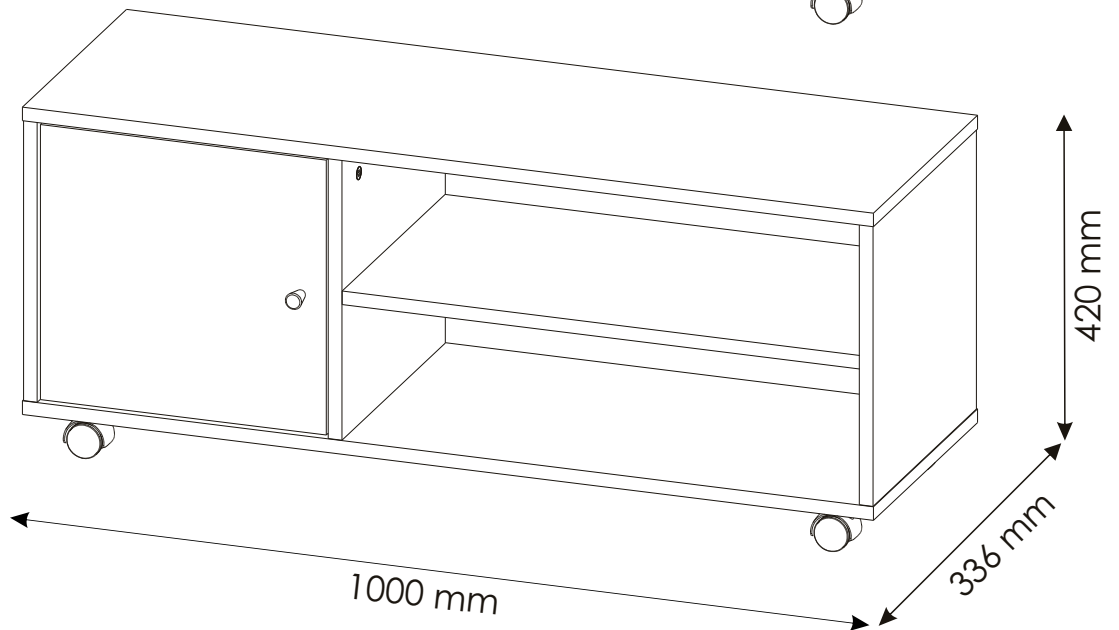
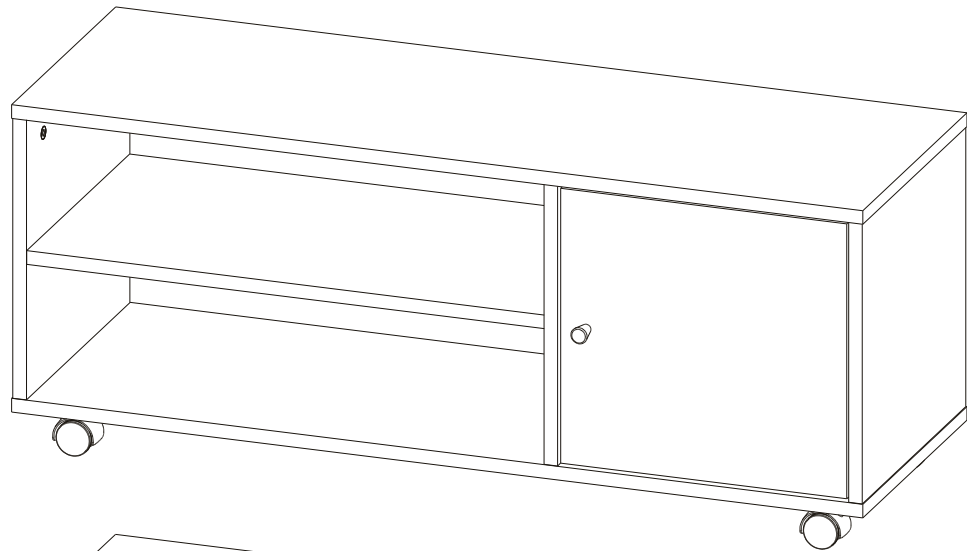
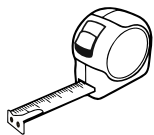
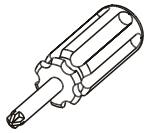
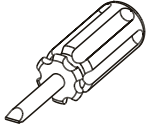










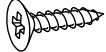


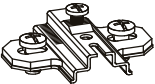
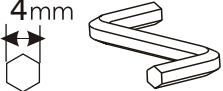
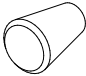
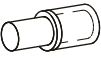
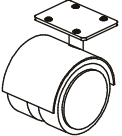
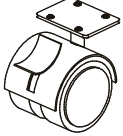
# TV Wagen 1T MAJA

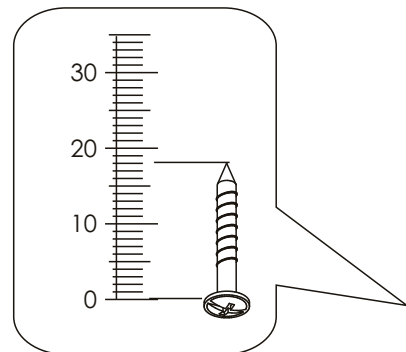
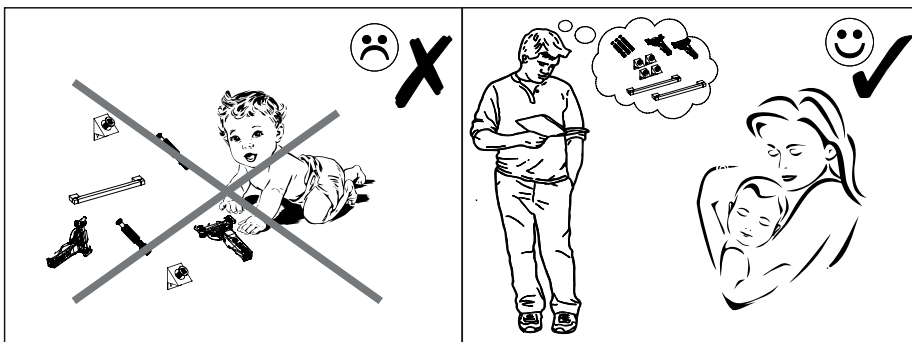
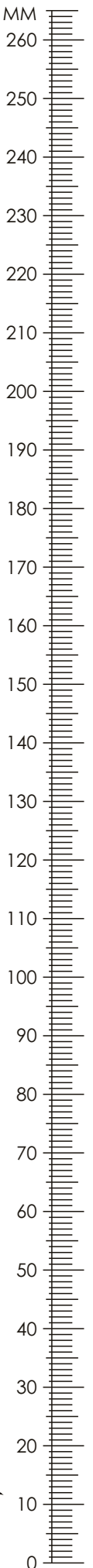
00030116/06  
00030116/07  
00030116/08




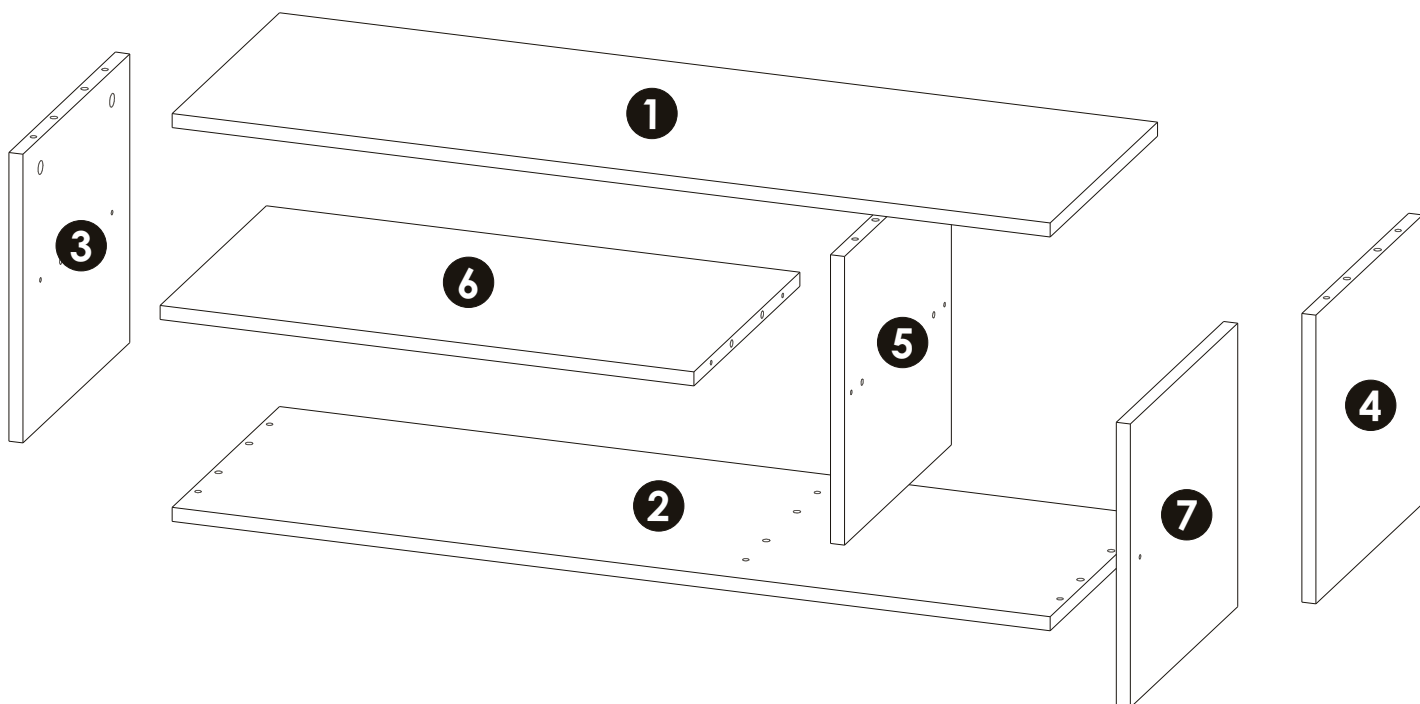
**30**  
**MIN**

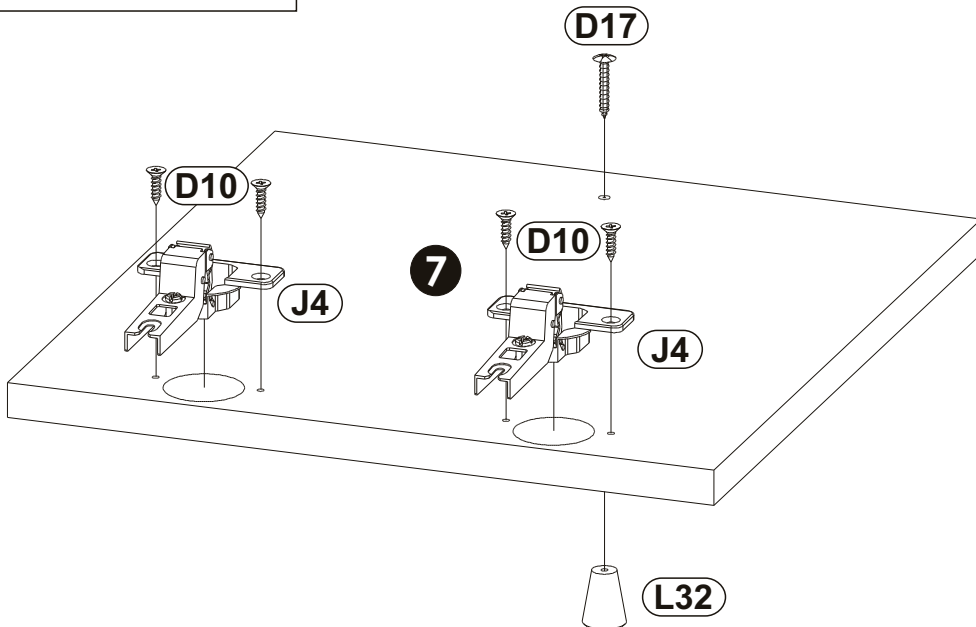
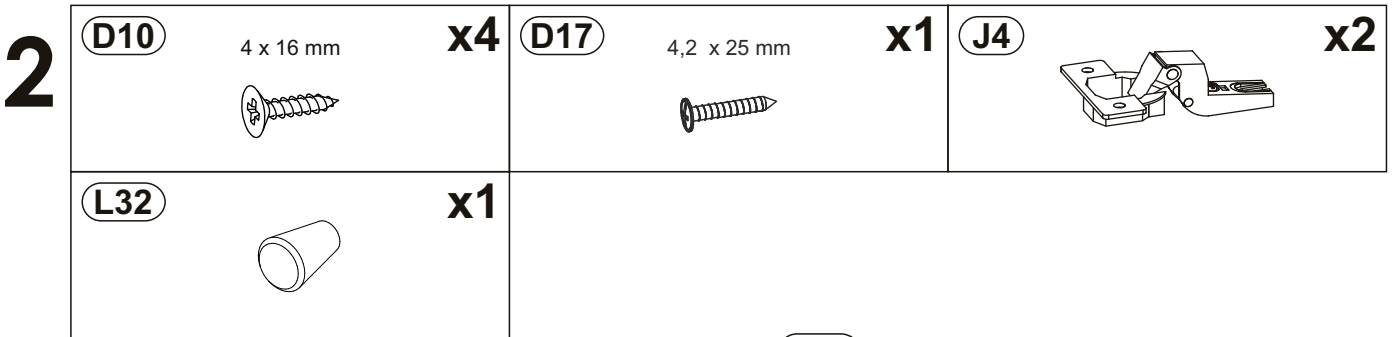
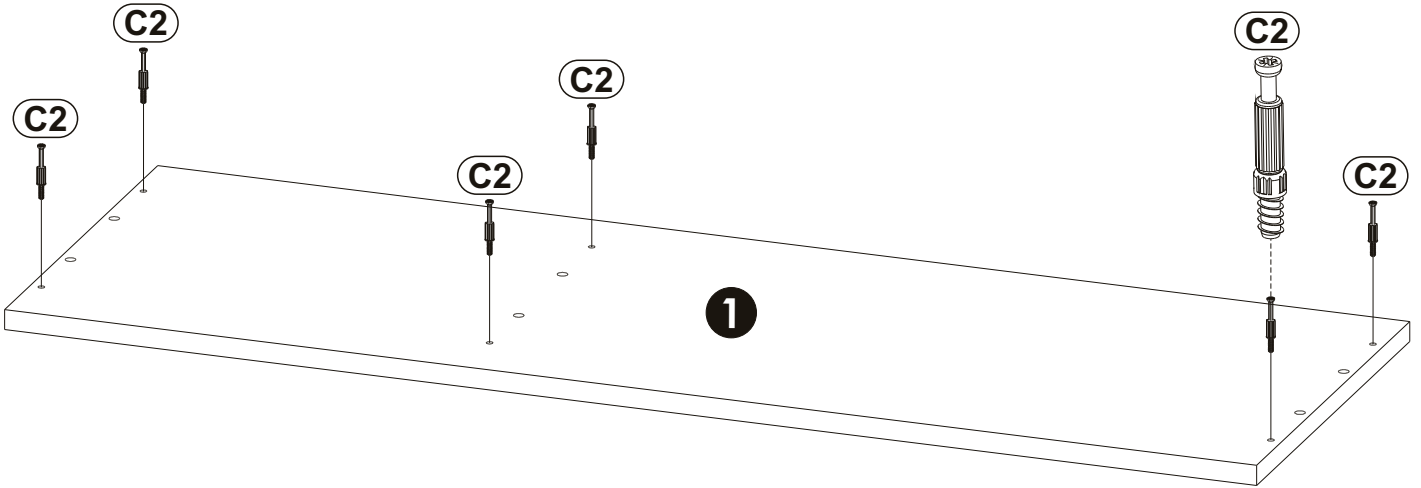
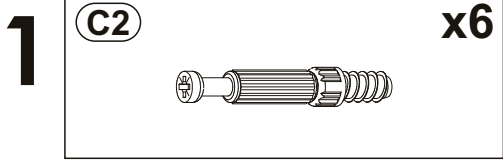
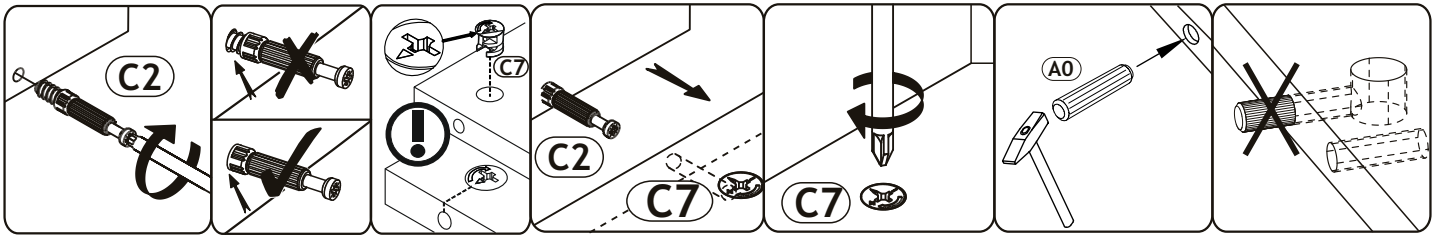


<b>A0</b> 8 x 30mm <b>x16</b> 	<b>B0</b>  <b>x2</b>	<b>B1</b> 7x 50 mm <b>x8</b> 
<b>B5</b> Ø5mm <b>x5</b> 	<b>C0</b>  <b>x6</b>	<b>C2</b>  <b>x8</b>
<b>C7</b> 16mm  <b>x8</b>	<b>D5</b> 3,5 x 16 mm  <b>x20</b>	<b>D10</b> 4 x 16 mm  <b>x4</b>
<b>D17</b> 4,2 x 25 mm  <b>x1</b>	<b>J4</b>  <b>x2</b>	<b>J6</b>  <b>x2</b>
<b>K</b> 4mm  <b>x1</b>	<b>L32</b>  <b>x1</b>	<b>Q4</b>  <b>x1</b>
<b>T6</b>  <b>x3</b>	<b>T7</b>  <b>x2</b>	


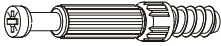



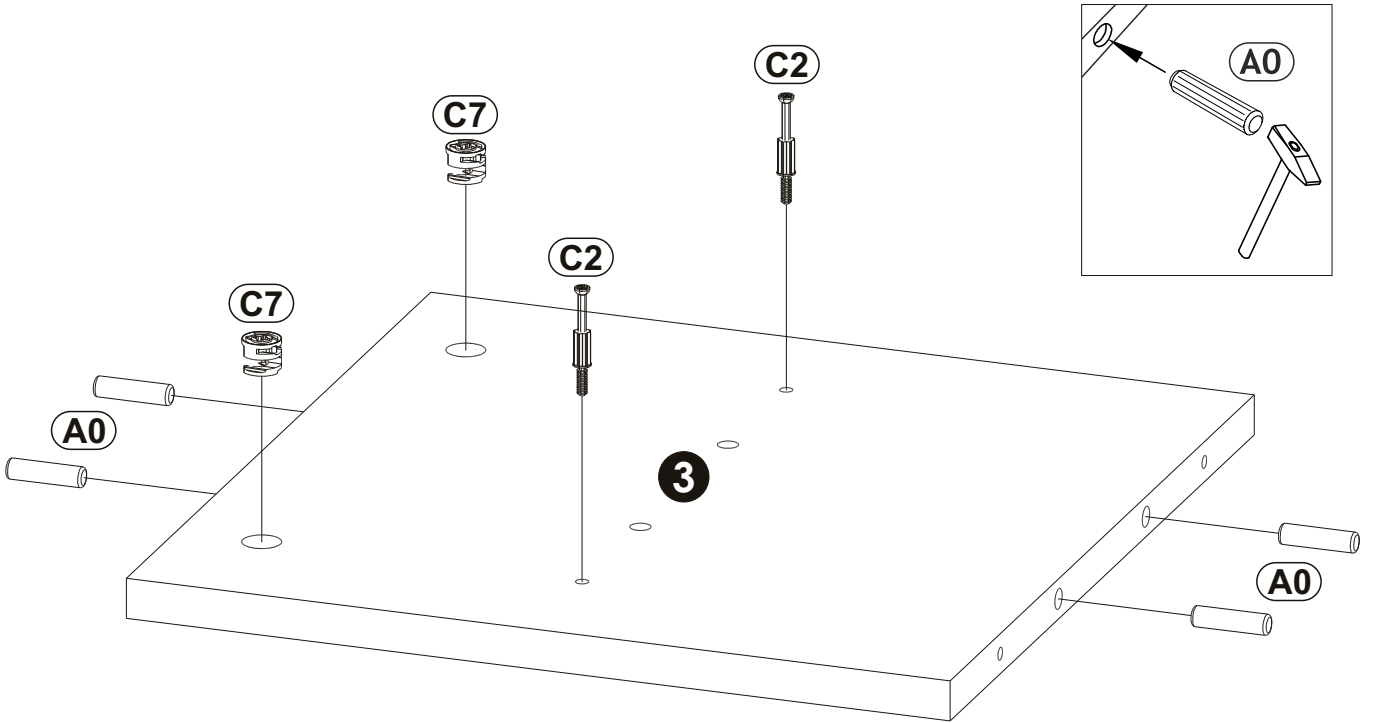
<b>1</b>	1000	336	16	x1	1/1
<b>2</b>	1000	336	16	x1	1/1
<b>3</b>	329	334	16	x1	1/1
<b>4</b>	329	334	16	x1	1/1
<b>5</b>	329	334	16	x1	1/1
<b>6</b>	608	332	16	x1	1/1
<b>7</b>	336	323	16	x1	1/1
					1/1



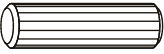



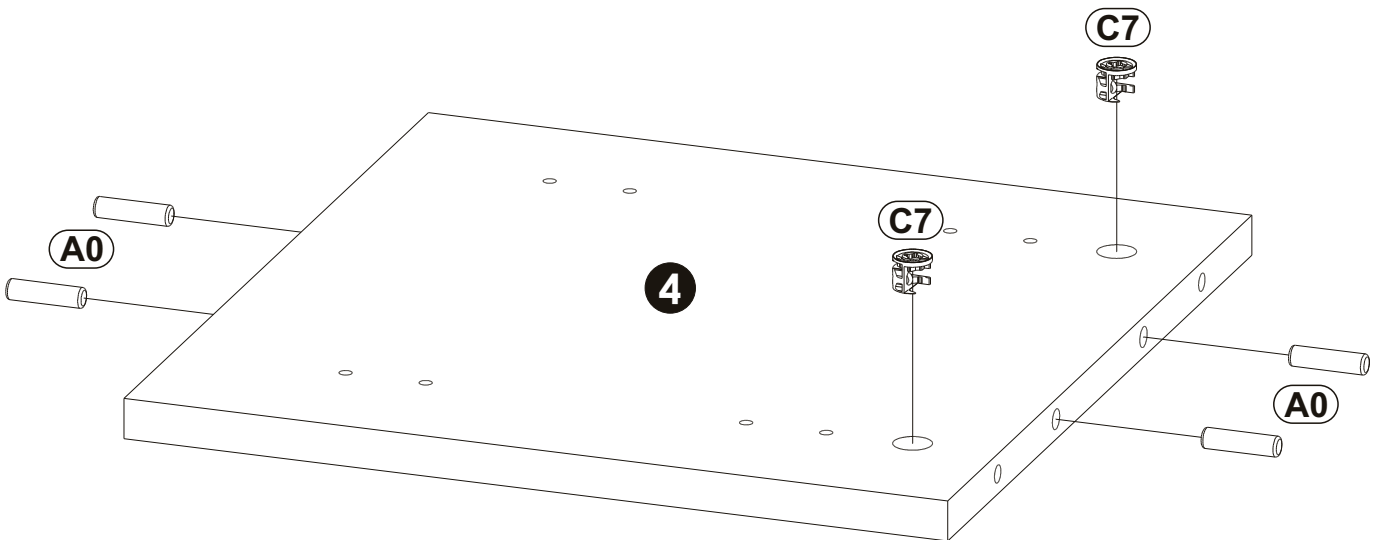
# 3

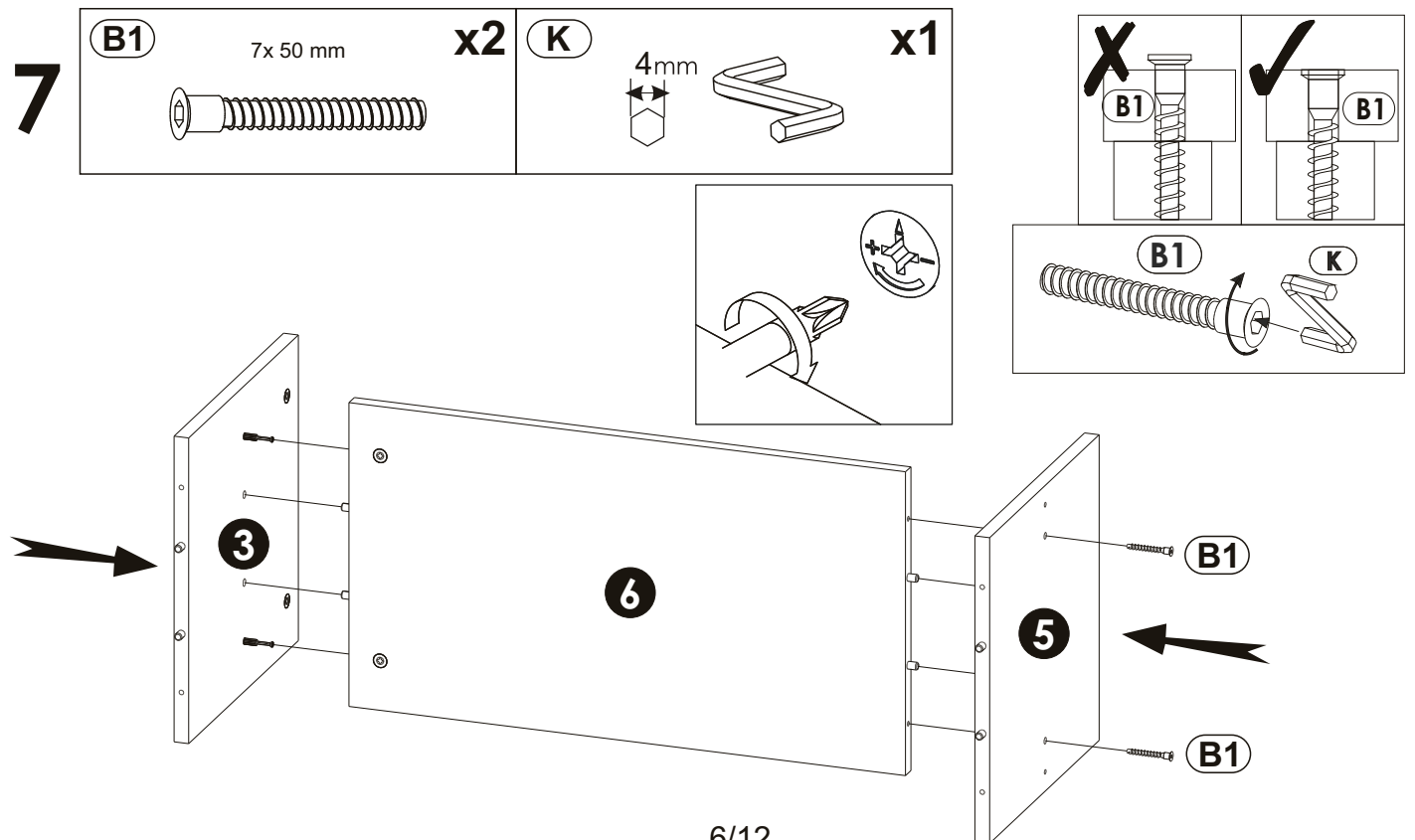
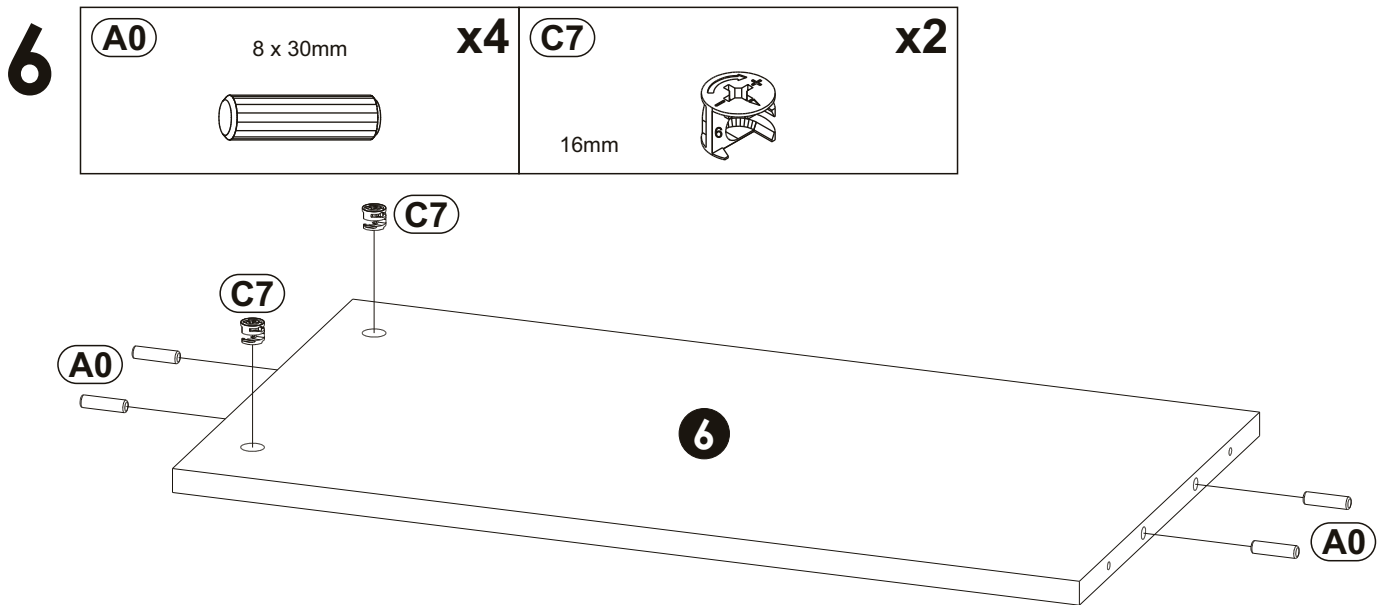
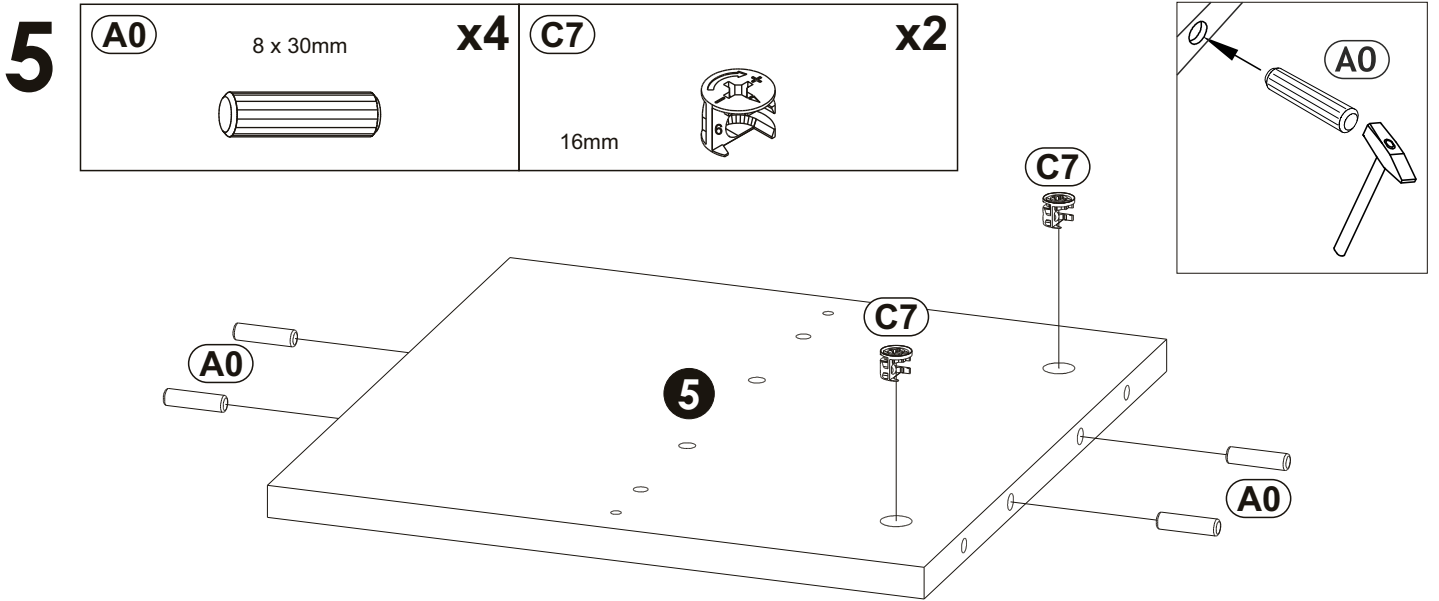
<b>A0</b>	8 x 30mm	<b>x4</b>	<b>C2</b>	<b>x2</b>	<b>C7</b>	<b>x2</b>
					16mm 	



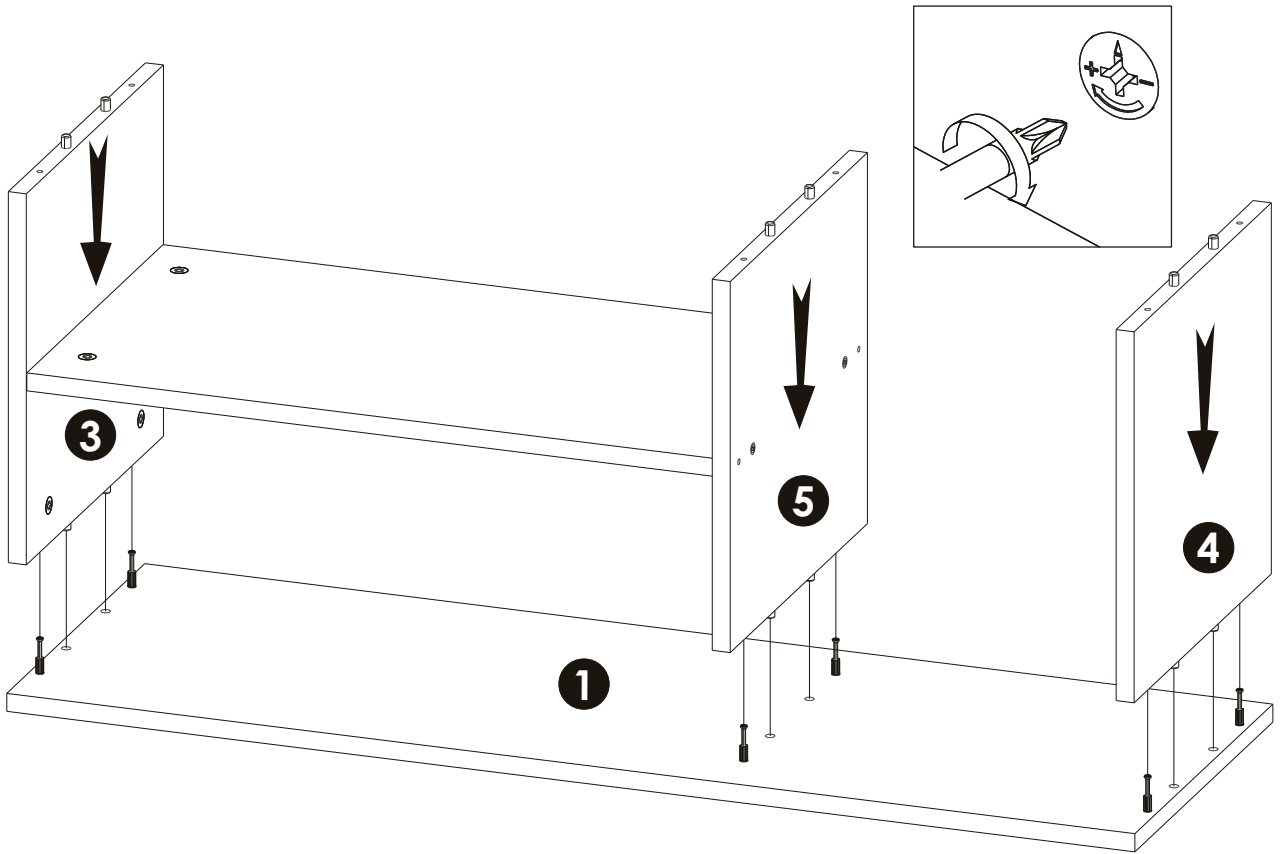
# 4

<b>A0</b>	8 x 30mm	<b>x4</b>	<b>C7</b>	<b>x2</b>
			16mm 	

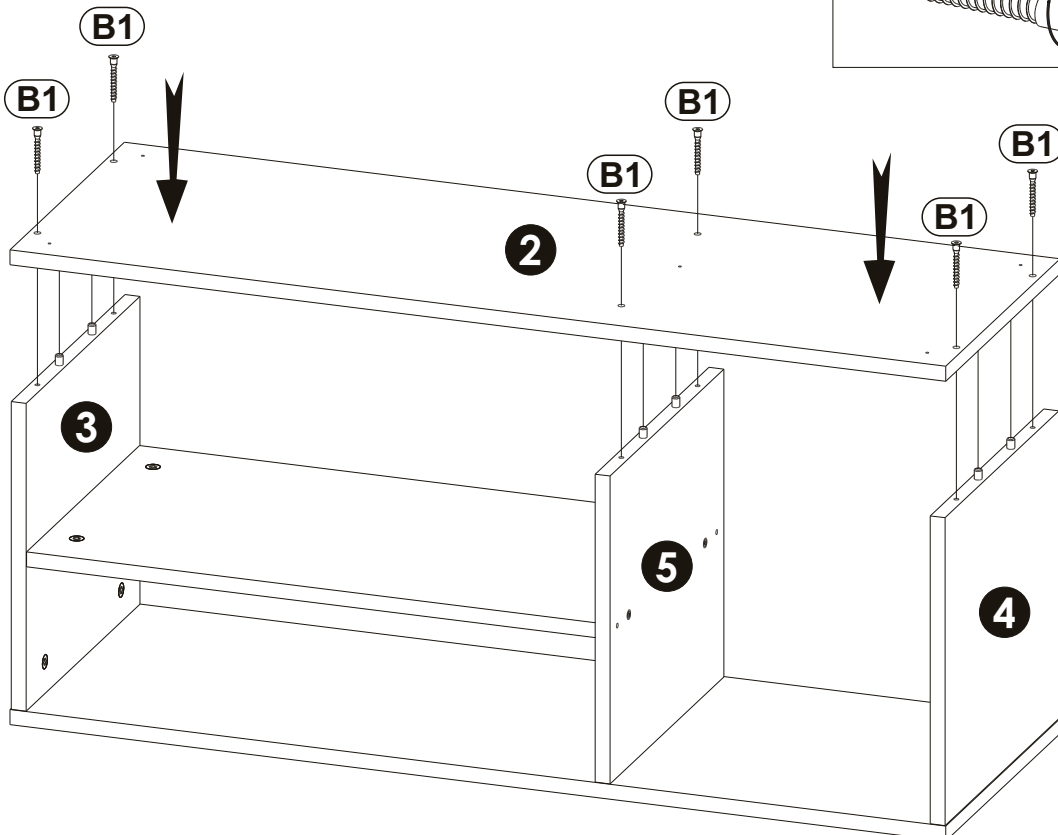
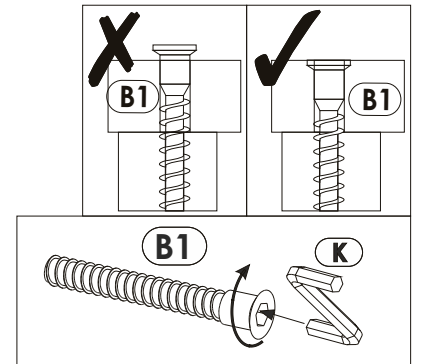
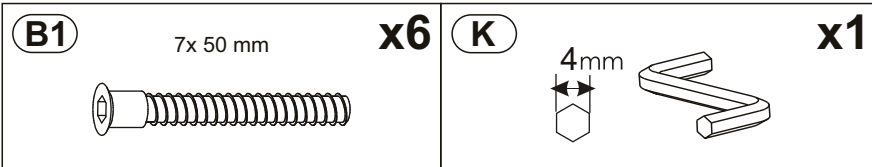




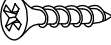
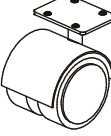
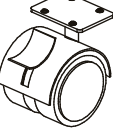
8

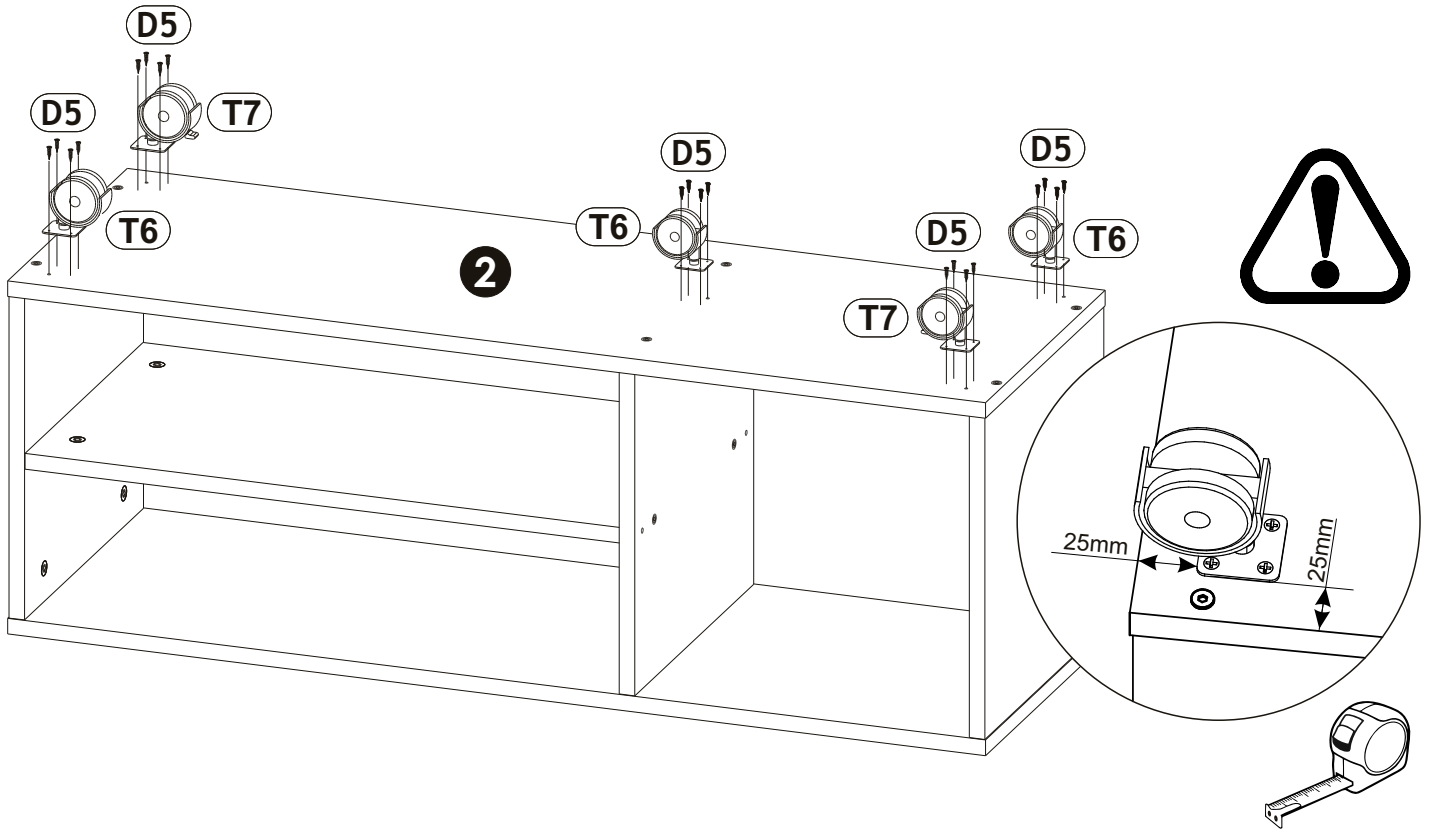


9

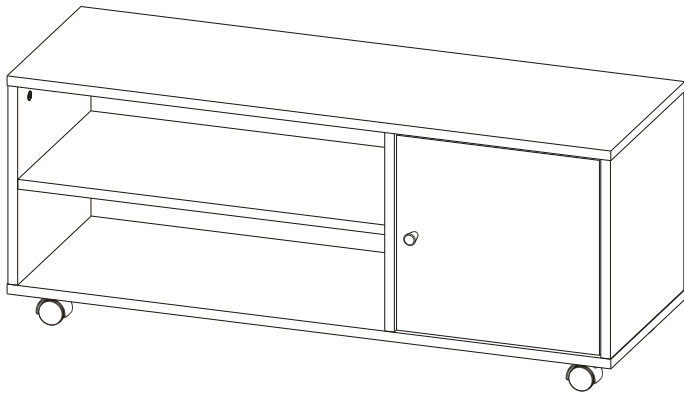
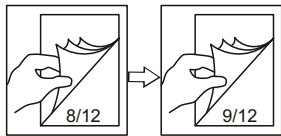


# 10

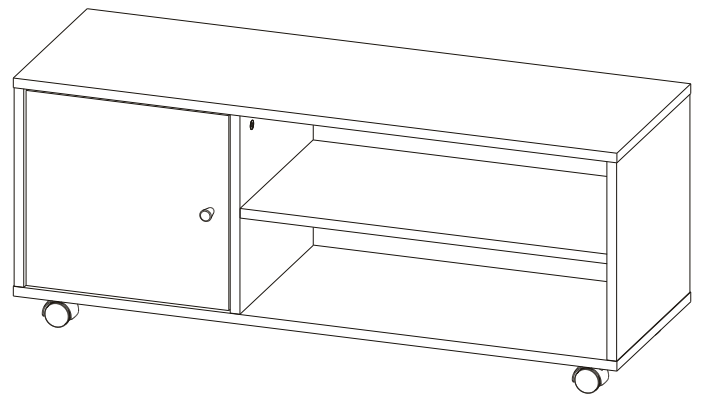
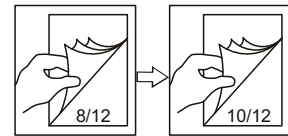
<b>D5</b> 3,5 x 16 mm 	<b>x20</b>	<b>T6</b> 	<b>x3</b>	<b>T7</b> 	<b>x2</b>
---	------------	--	-----------	--	-----------



## Variant 1



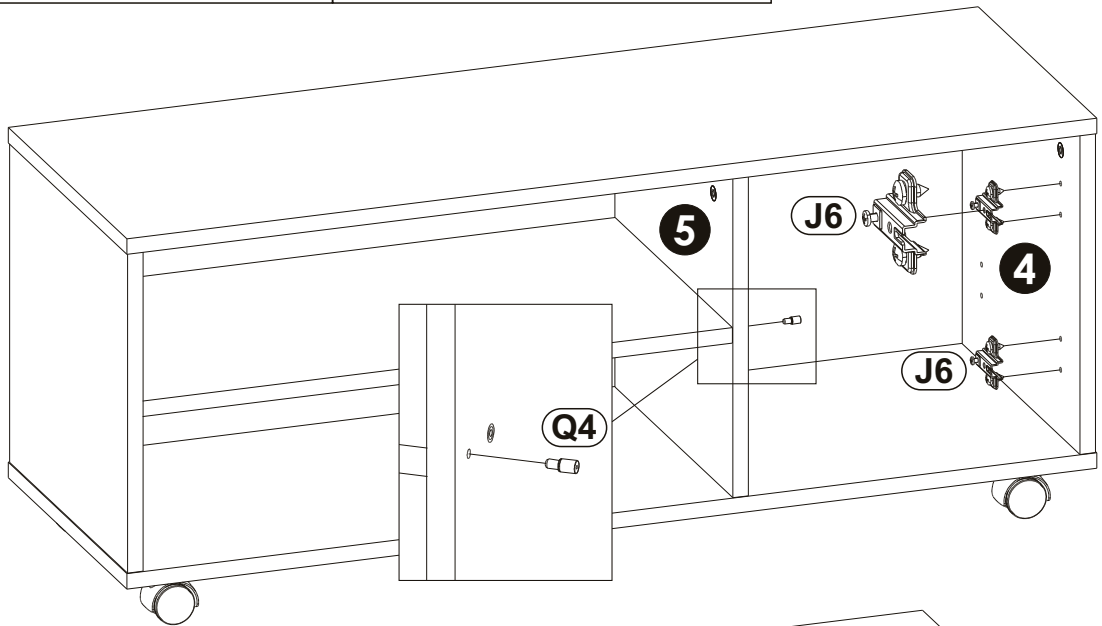
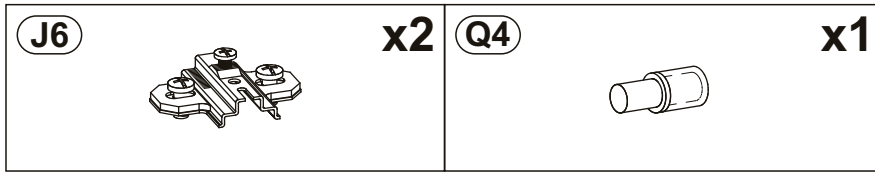
## Variant 2



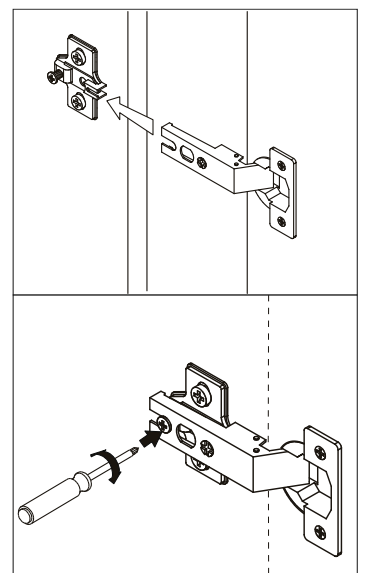
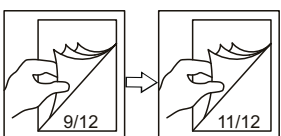
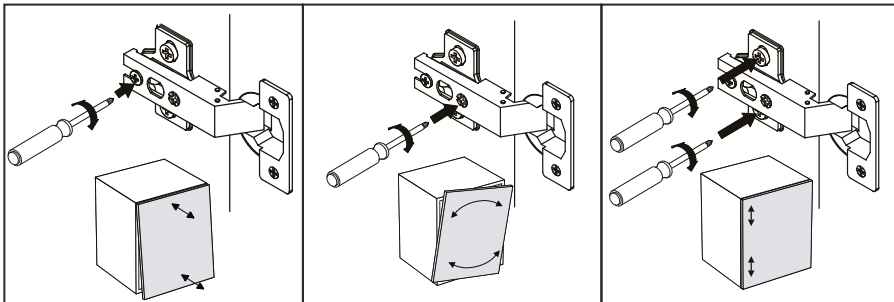
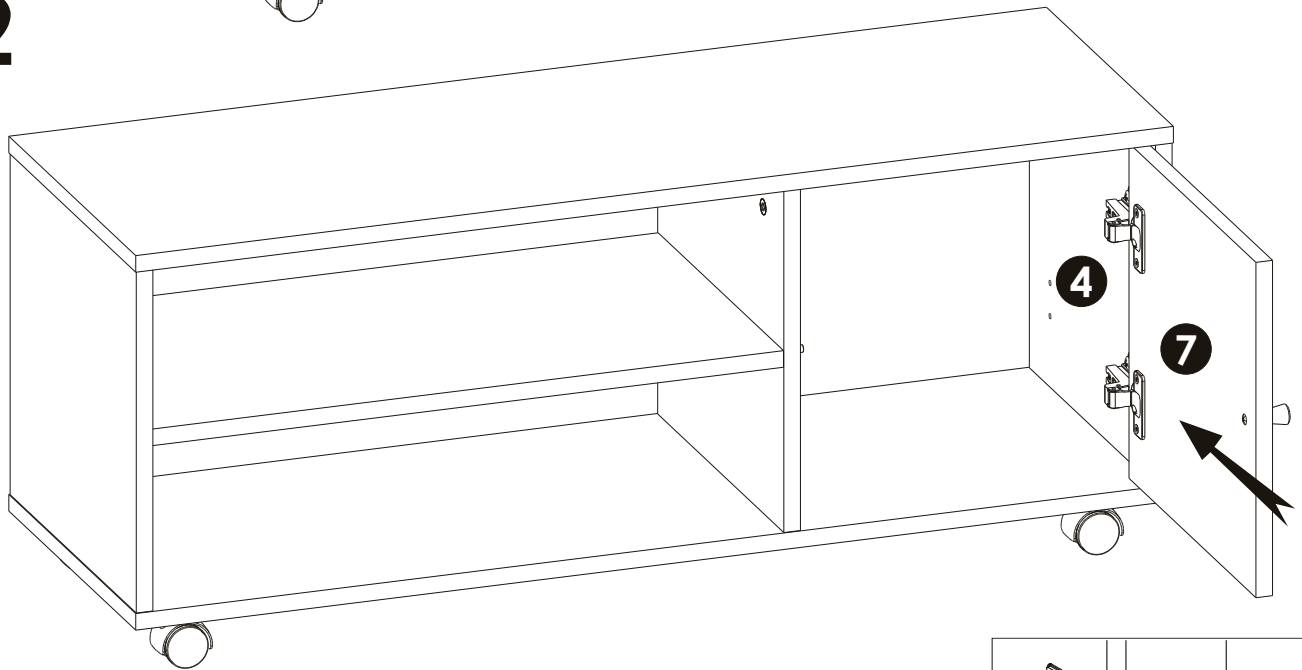


# Variant 1

11

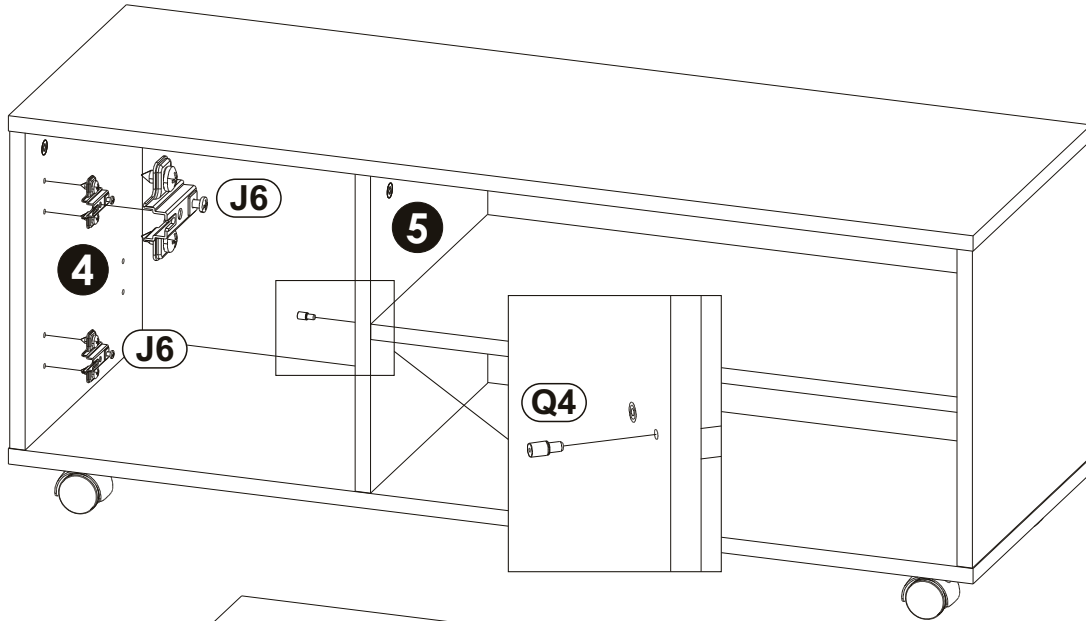
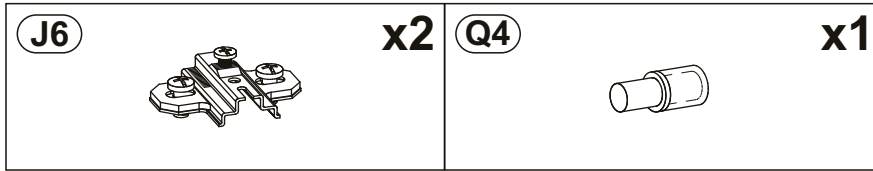


12

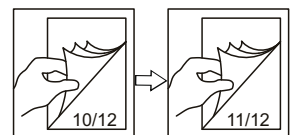
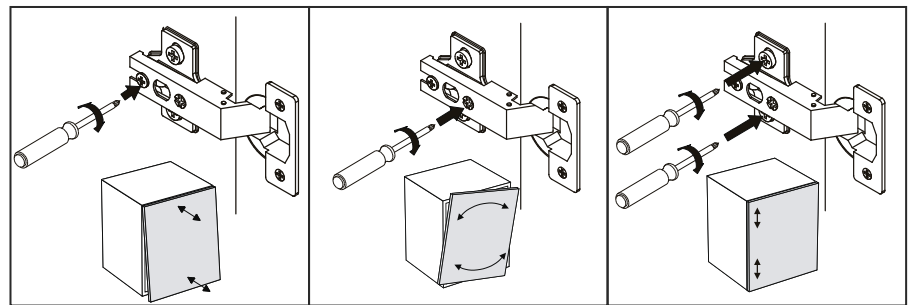
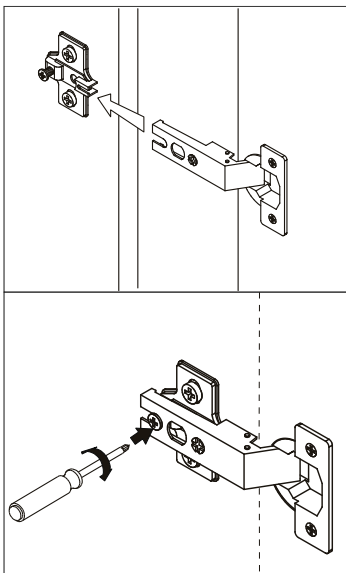
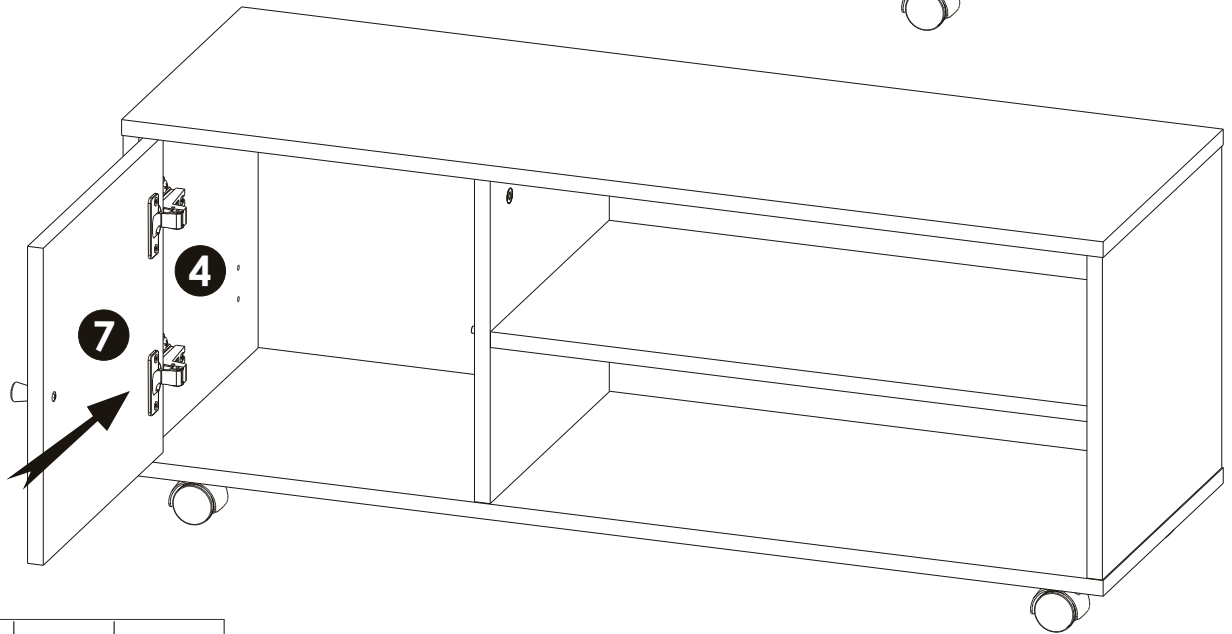


# Variant 2


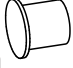

11



12



# 13

<b>B0</b>		<b>x2</b>	<b>B5</b>	 Ø5mm	<b>x5</b>	<b>C0</b>		<b>x6</b>
-----------	---	-----------	-----------	---	-----------	-----------	---	-----------

