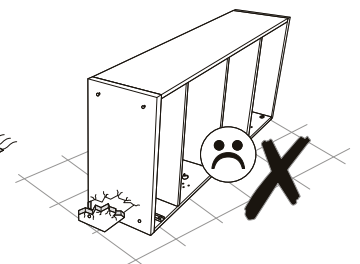
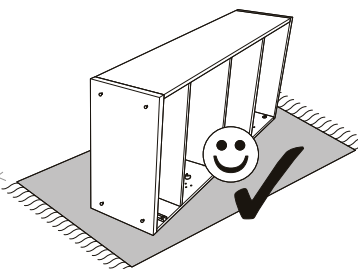
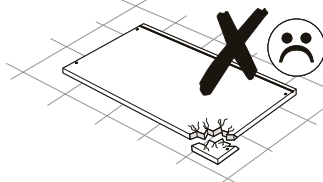
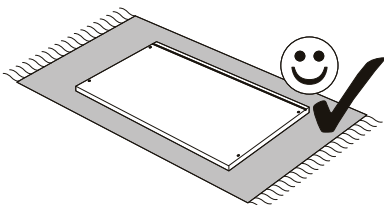
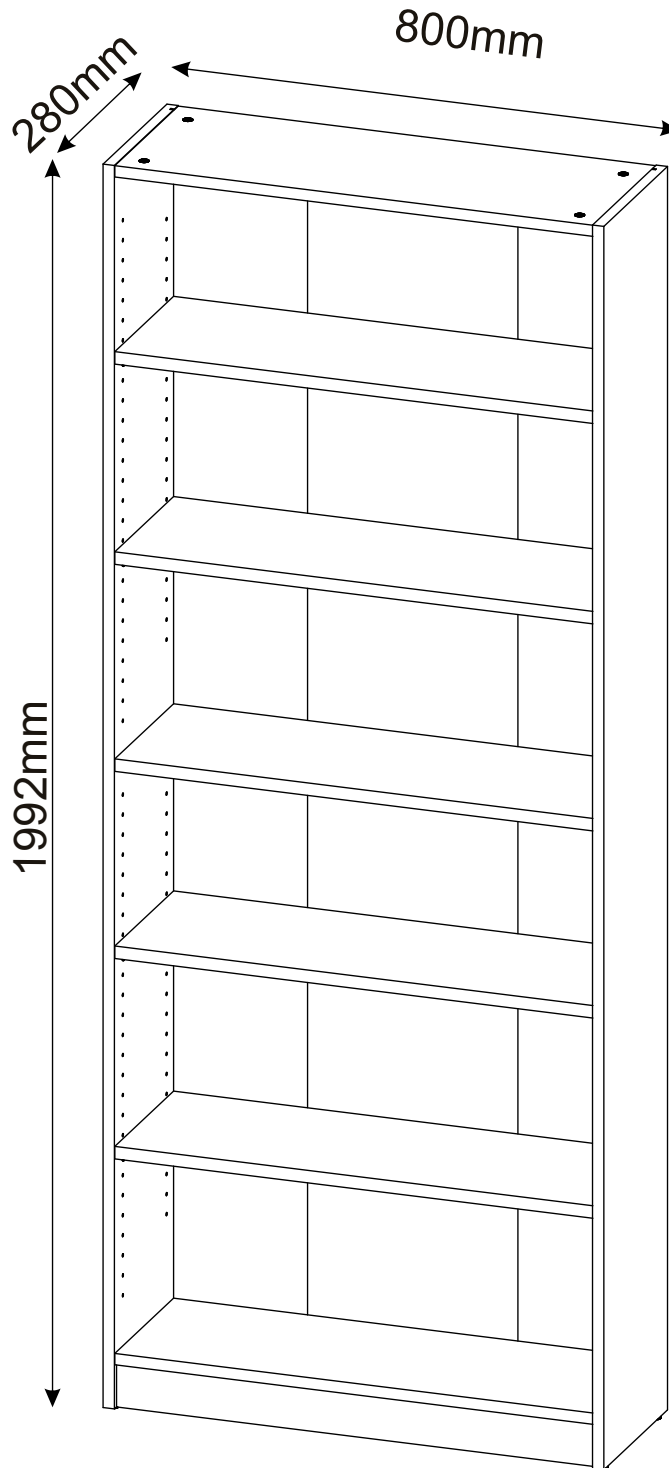
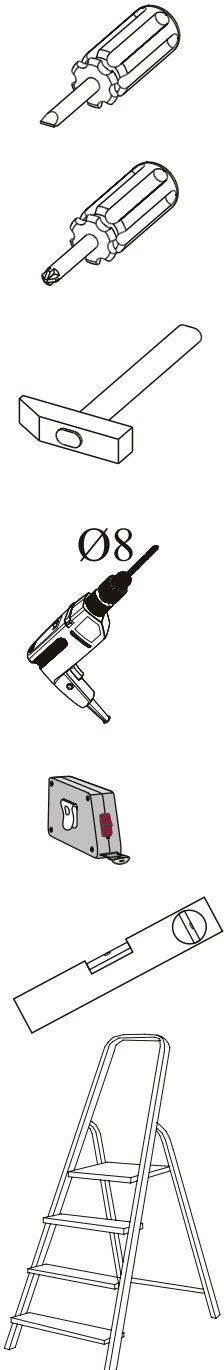
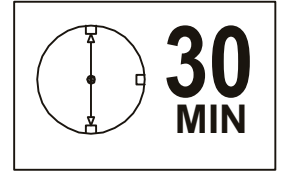
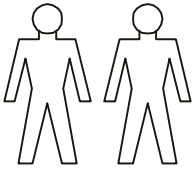
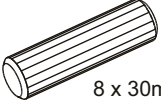

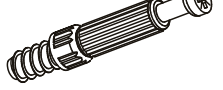


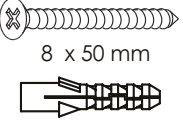

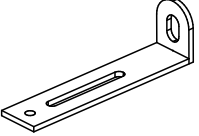
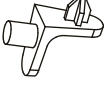
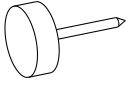
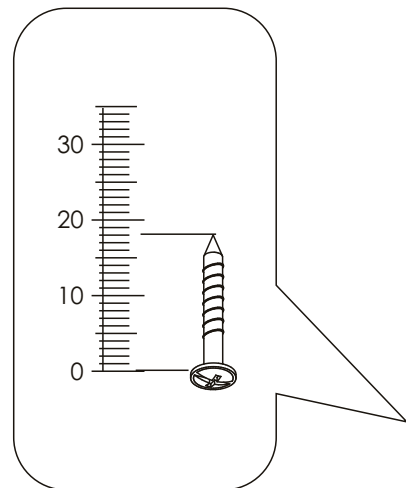
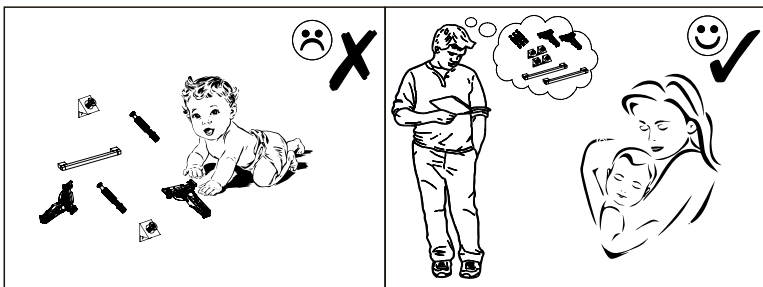
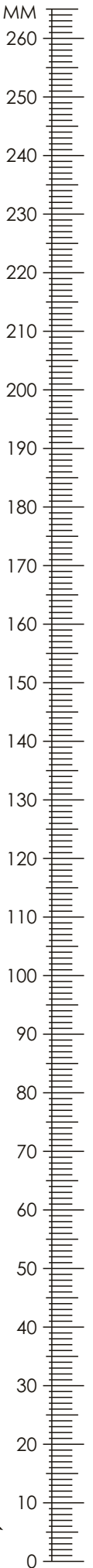



# Regal MILLY

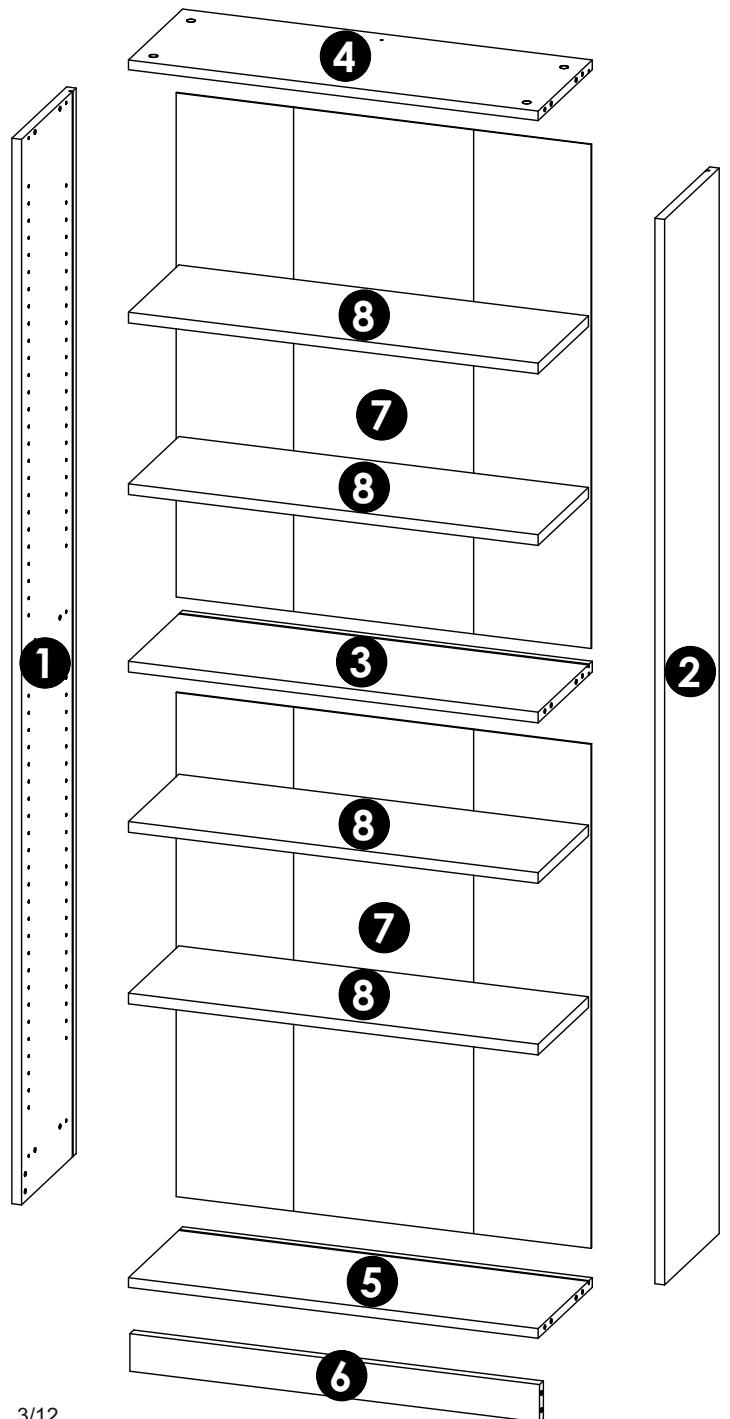
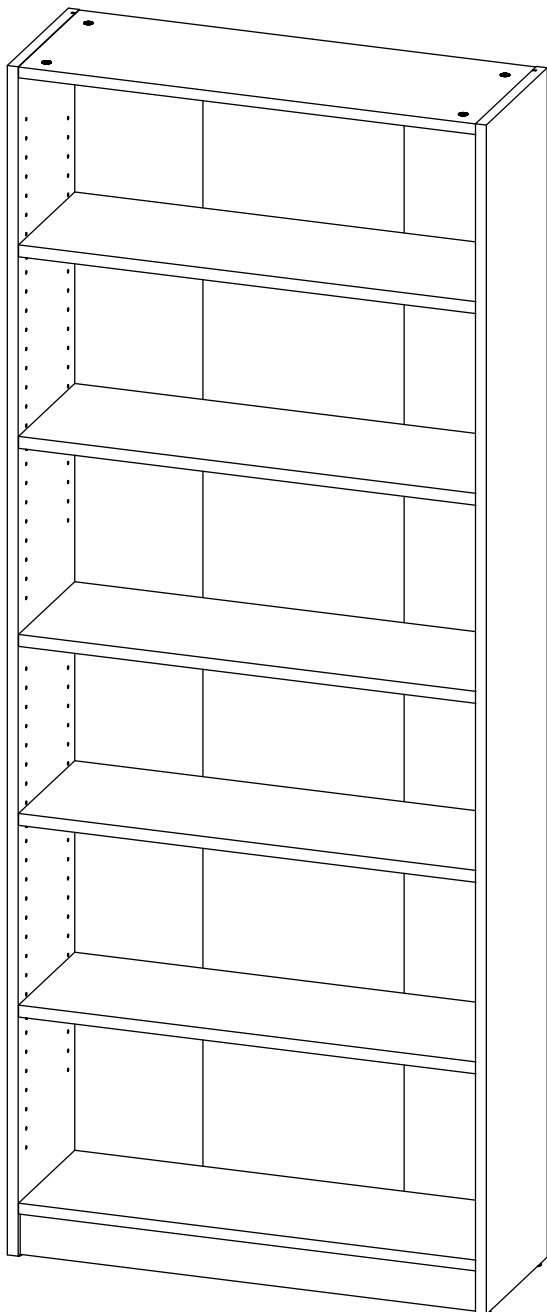
00030110/01  
00030110/02  
00030110/03

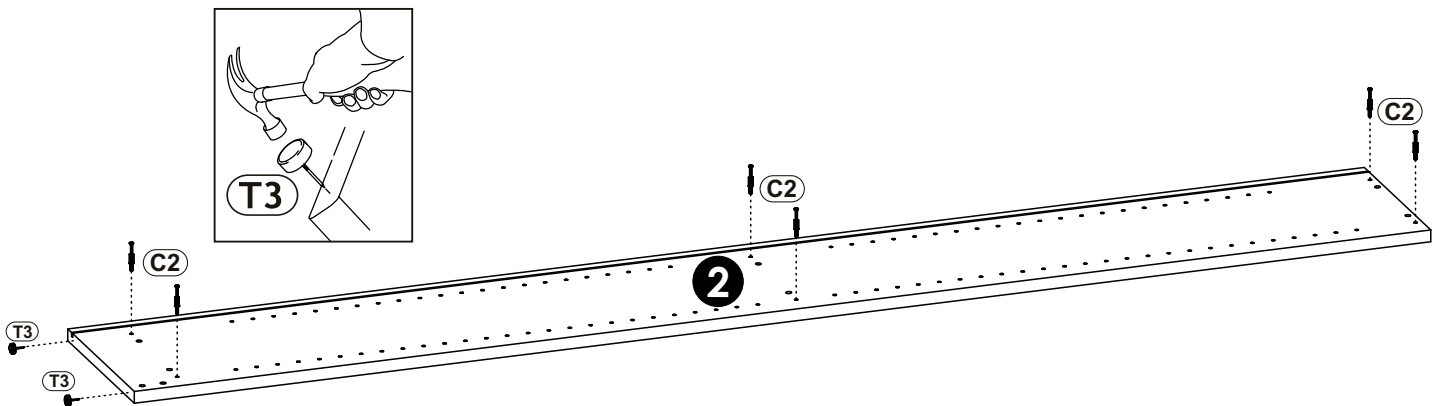
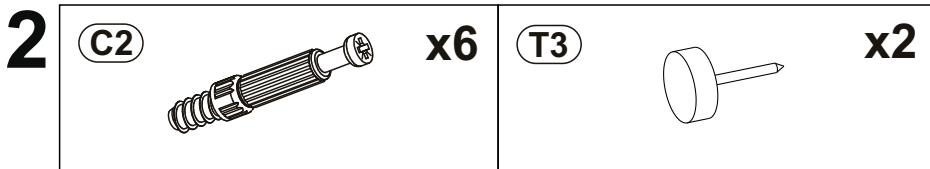
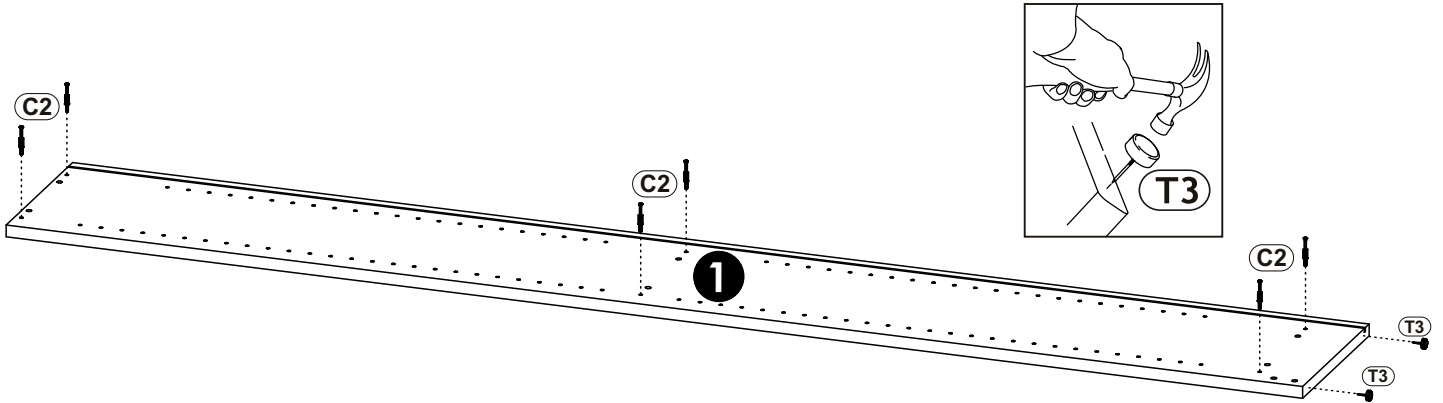
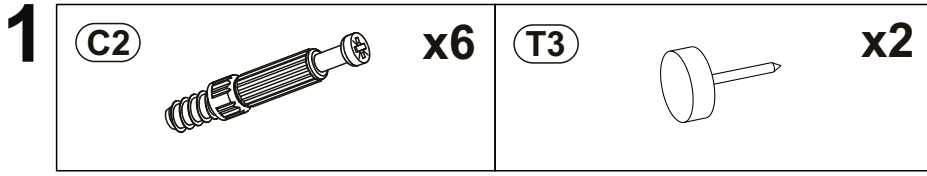
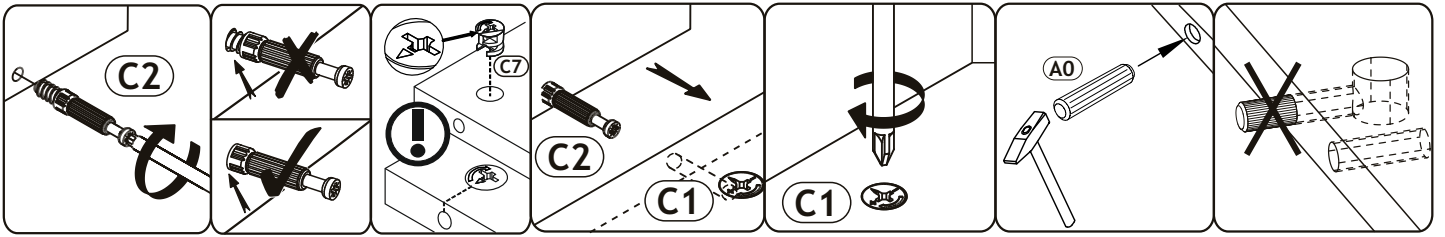


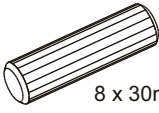



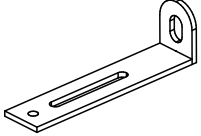
<b>A0</b>  8 x 30mm <b>x16</b>	<b>C1</b>  18mm <b>x12</b>	<b>C2</b>  <b>x12</b>
<b>D0</b>  3 x 15mm <b>x25</b>	<b>D21</b>  5 x 13mm <b>x1</b>	<b>E0</b> 5 x 50 mm 8 x 50 mm  <b>x1</b>
<b>M1</b>  <b>x24</b>	<b>P0</b>  <b>x1</b>	<b>Q3</b>  <b>x16</b>
<b>T3</b>  <b>x4</b>		

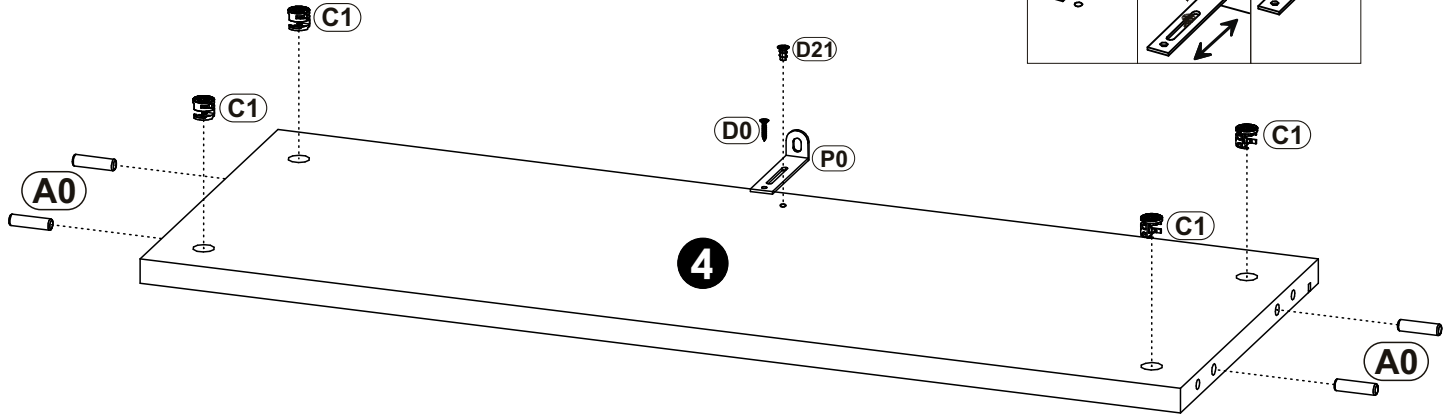
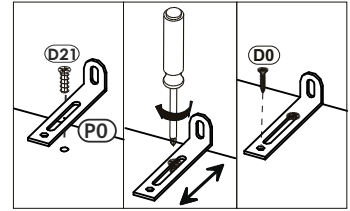


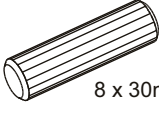

<b>1</b>	1987	280	18	x1	1/1
<b>2</b>	1987	280	18	x1	1/1
<b>3</b>	764	278	20	x1	1/1
<b>4</b>	764	278	18	x1	1/1
<b>5</b>	764	278	18	x1	1/1
<b>6</b>	764	57	20	x1	1/1
<b>7</b>	940	774	2,8	x2	1/1
<b>8</b>	764	258	20	x4	1/1
					1/1

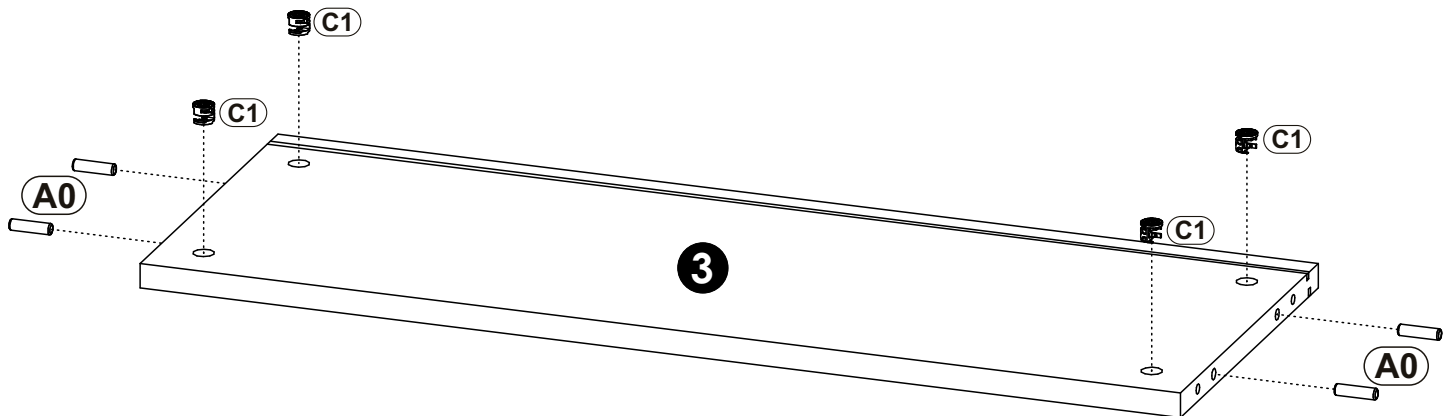


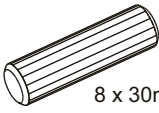



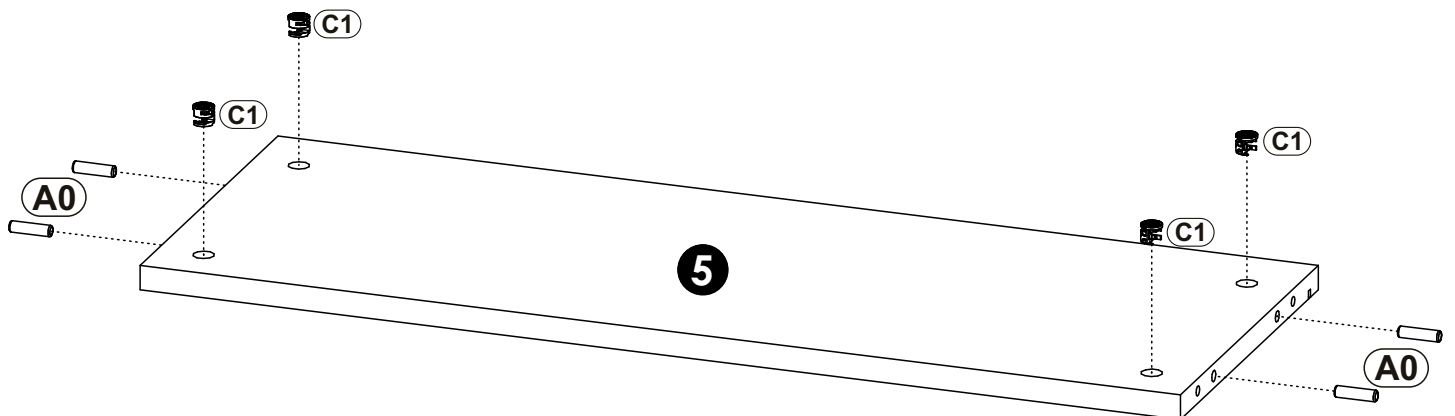
<b>3</b>	<b>A0</b>  8 x 30mm <b>x4</b>	<b>D0</b>  3 x 15mm <b>x1</b>	<b>D21</b>  5 x 13mm <b>x1</b>
	<b>C1</b>  18mm <b>x4</b>	<b>P0</b>  <b>x1</b>	

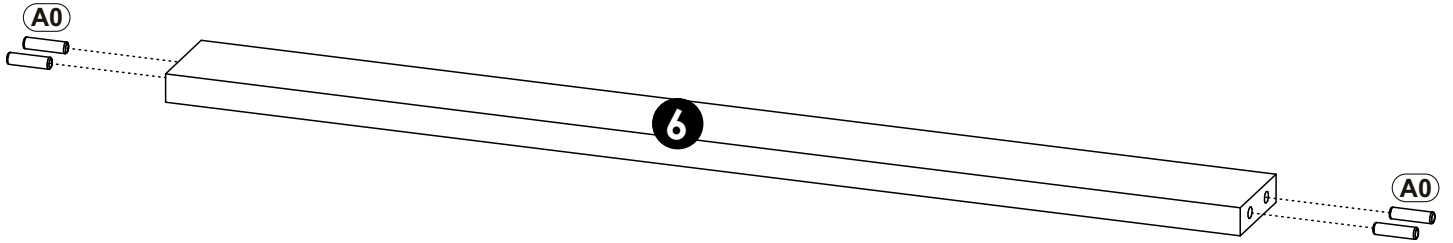
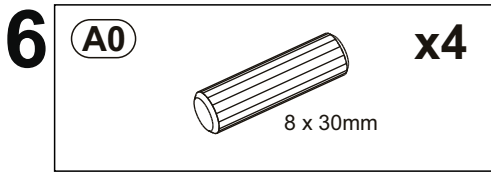


<b>4</b>	<b>A0</b>  8 x 30mm <b>x4</b>	<b>C1</b>  18mm <b>x4</b>
----------	---	---

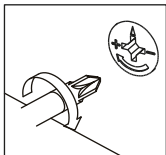
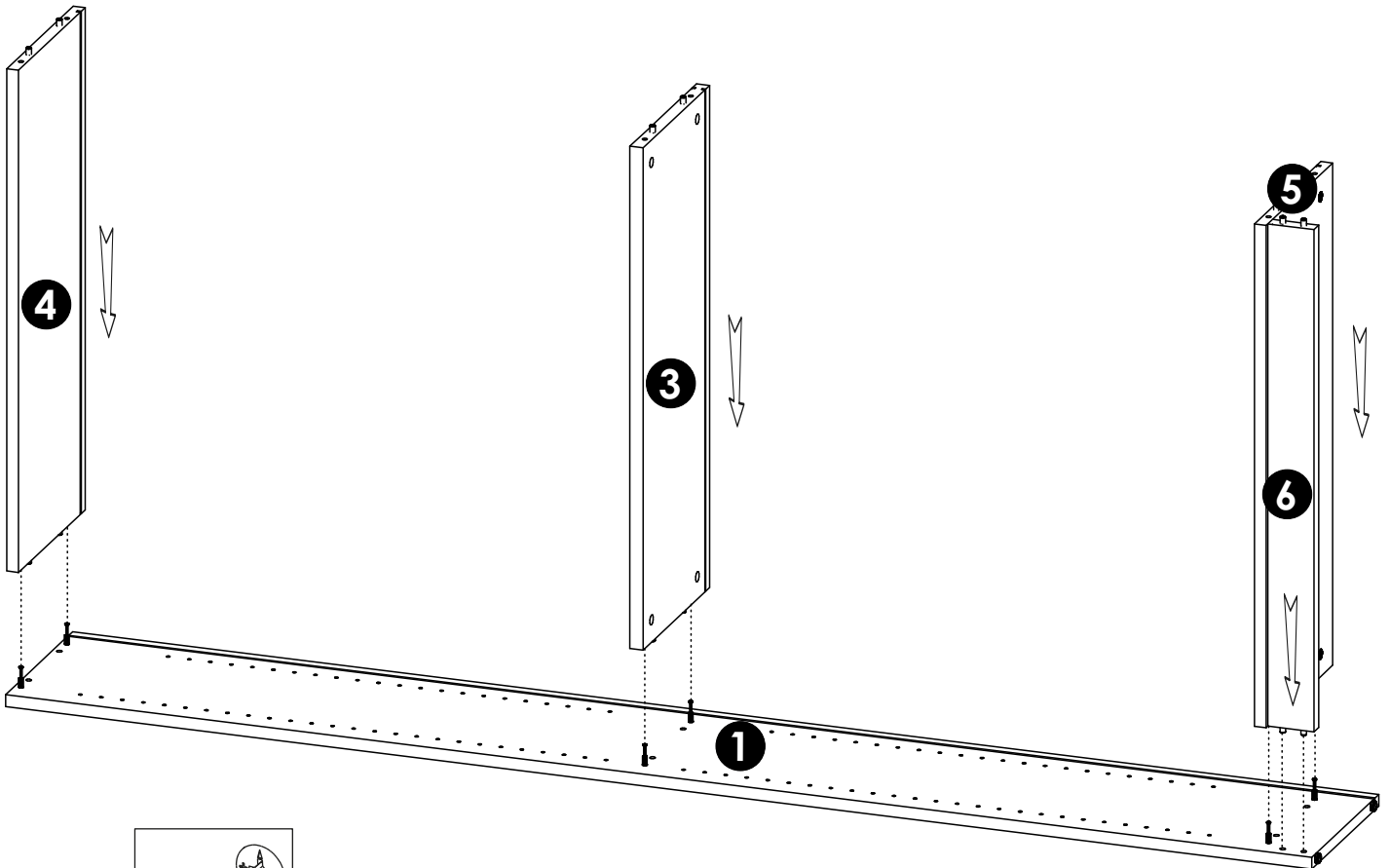


<b>5</b>	<b>A0</b>  8 x 30mm <b>x4</b>	<b>C1</b>  18mm <b>x4</b>
----------	---	---

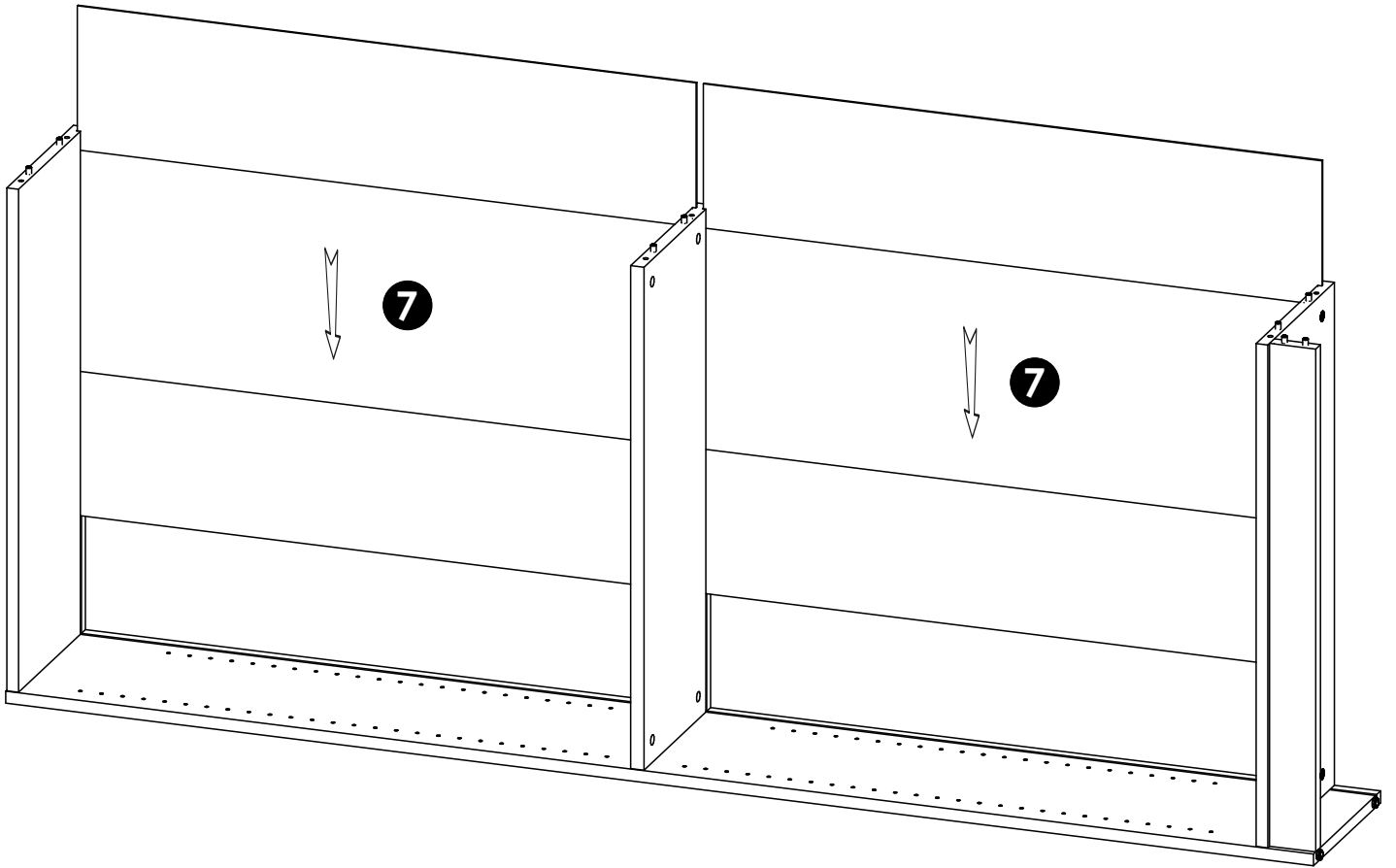




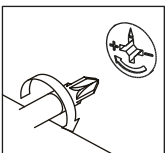
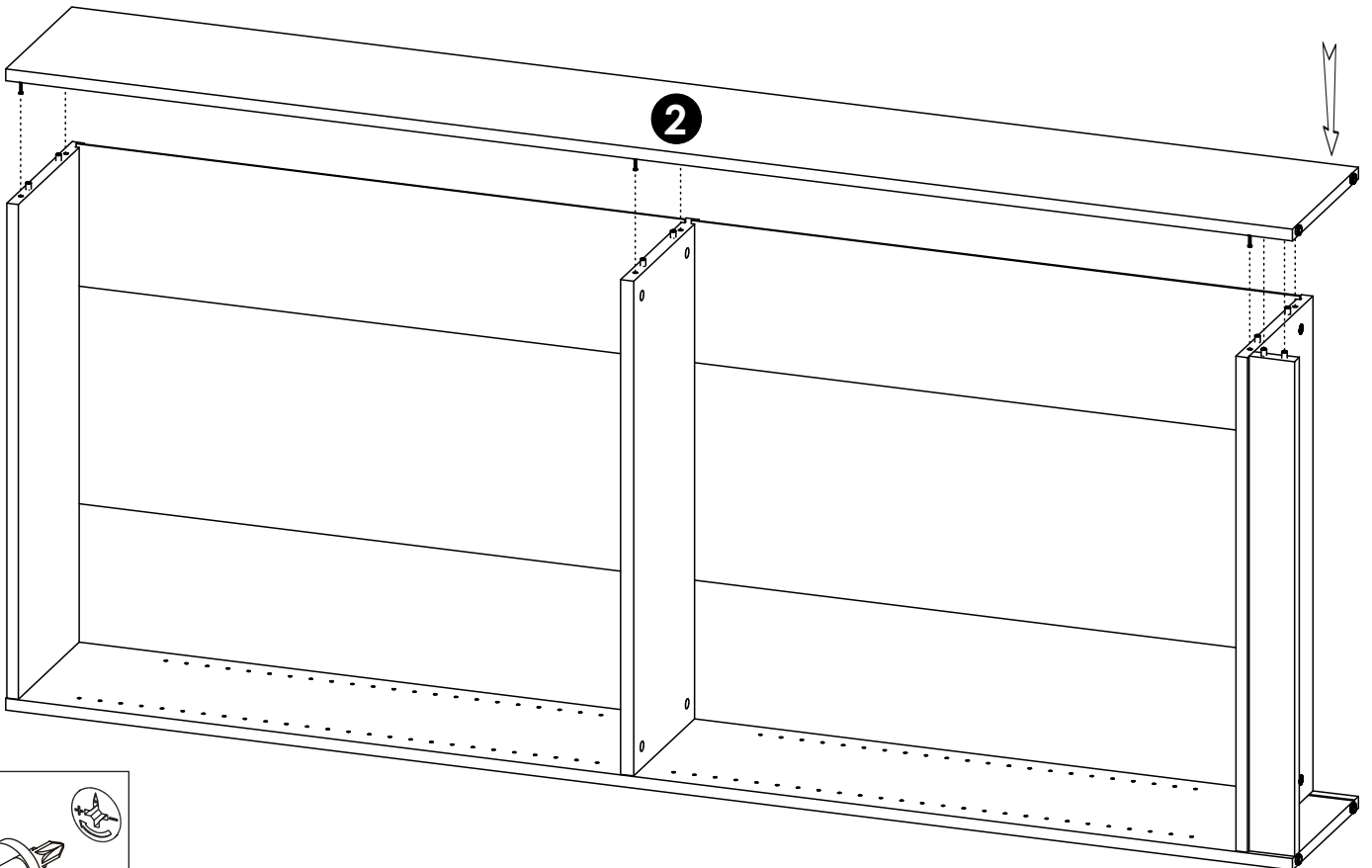
**7**





8

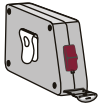



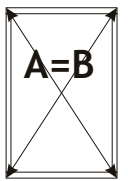

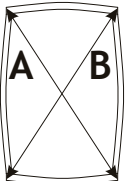

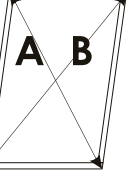
9

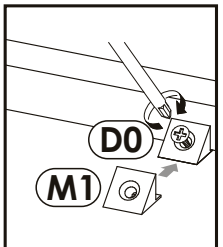
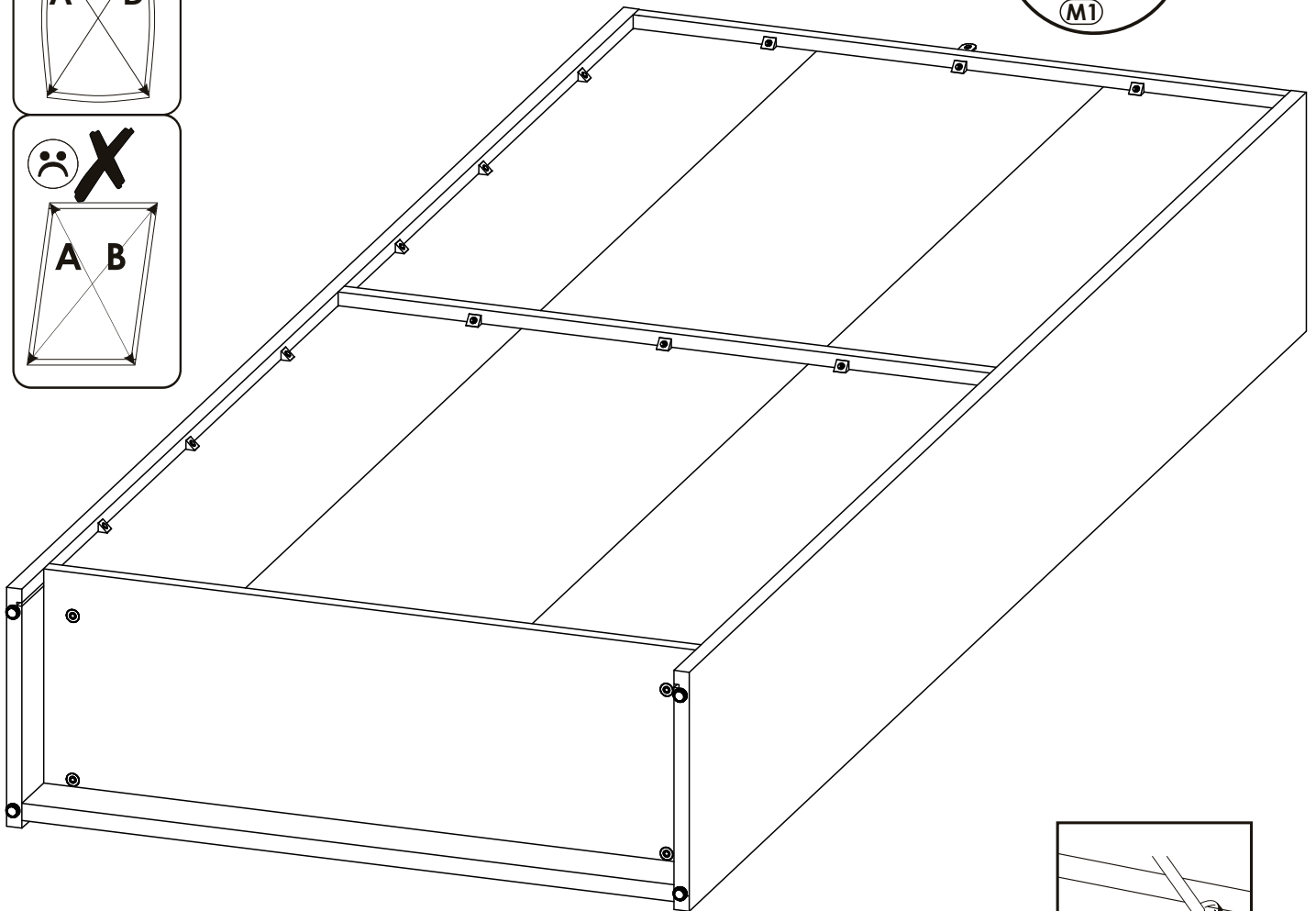
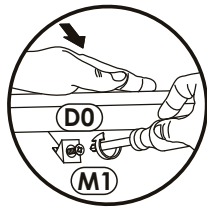


# 10

<p><b>(D0)</b></p>  <p>3 x 15mm</p> <p><b>x24</b></p>	<p><b>(M1)</b></p>  <p><b>x24</b></p>
--	--



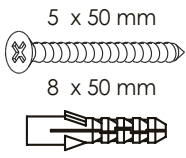
- 
- 
- 
- 
- 
- 



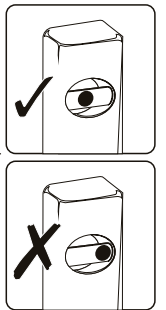
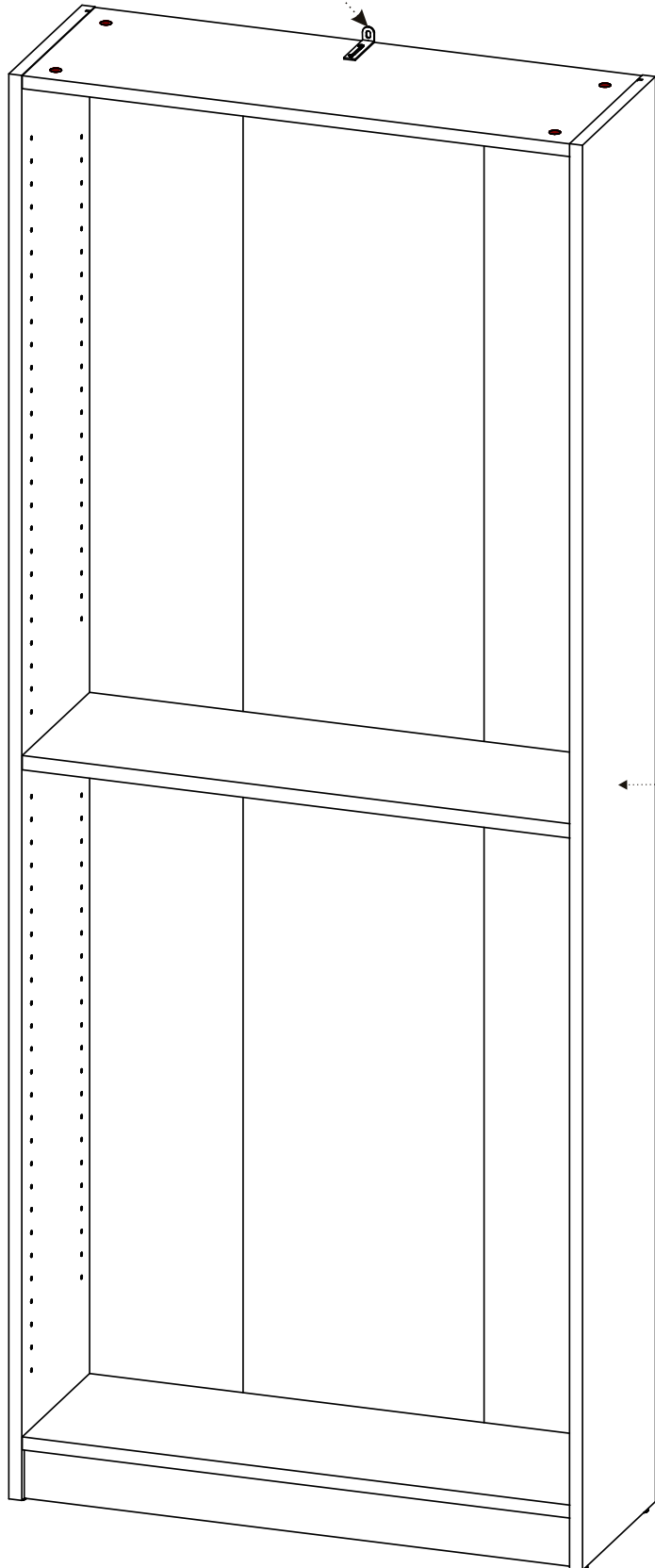
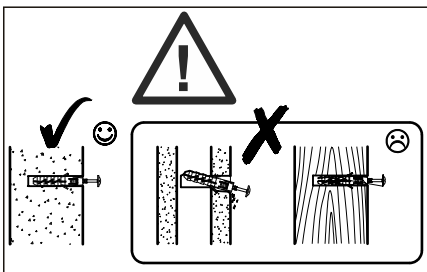
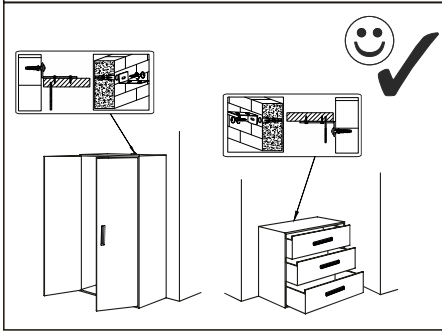
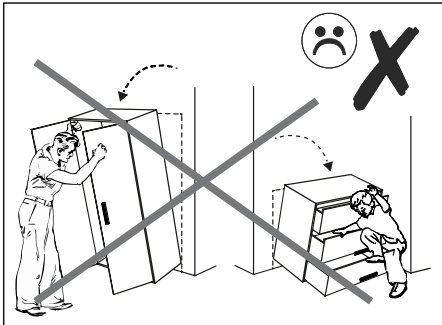
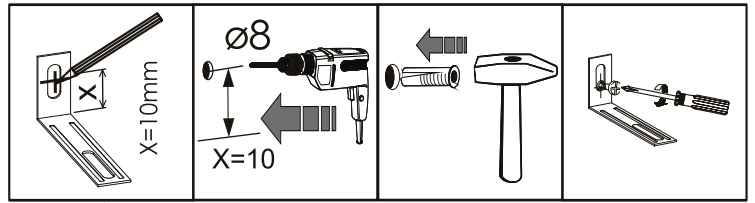


# 11

**E0**

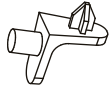


**x1**



12

Q3



x16

